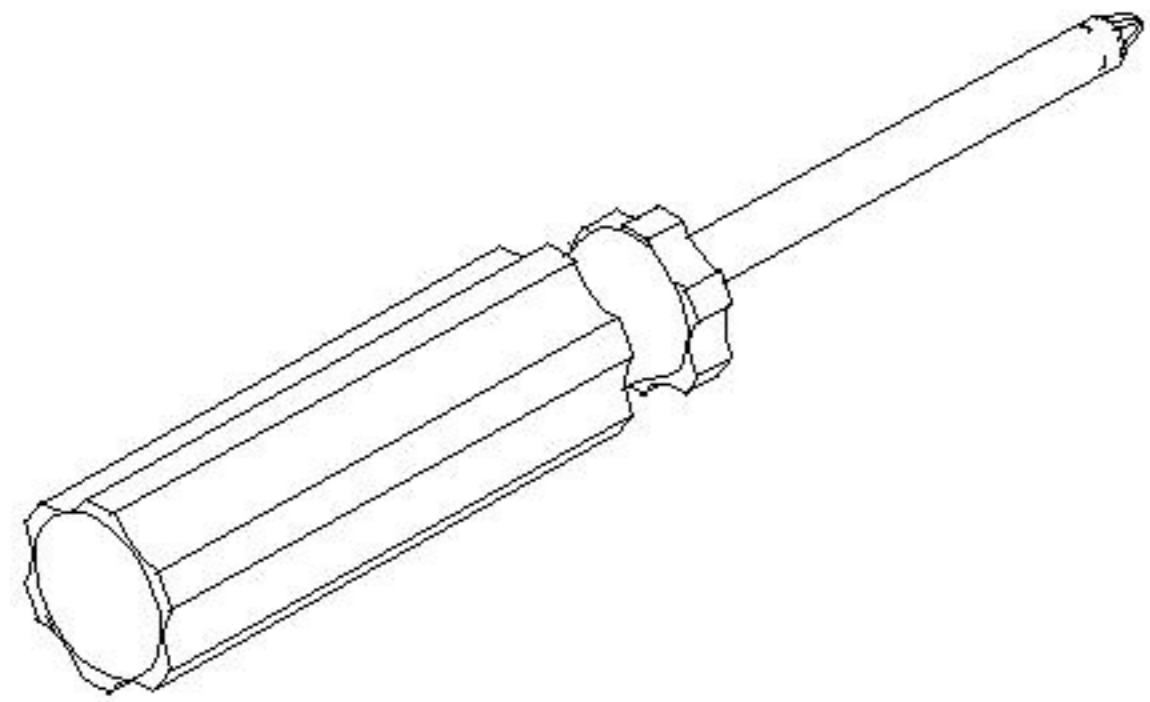
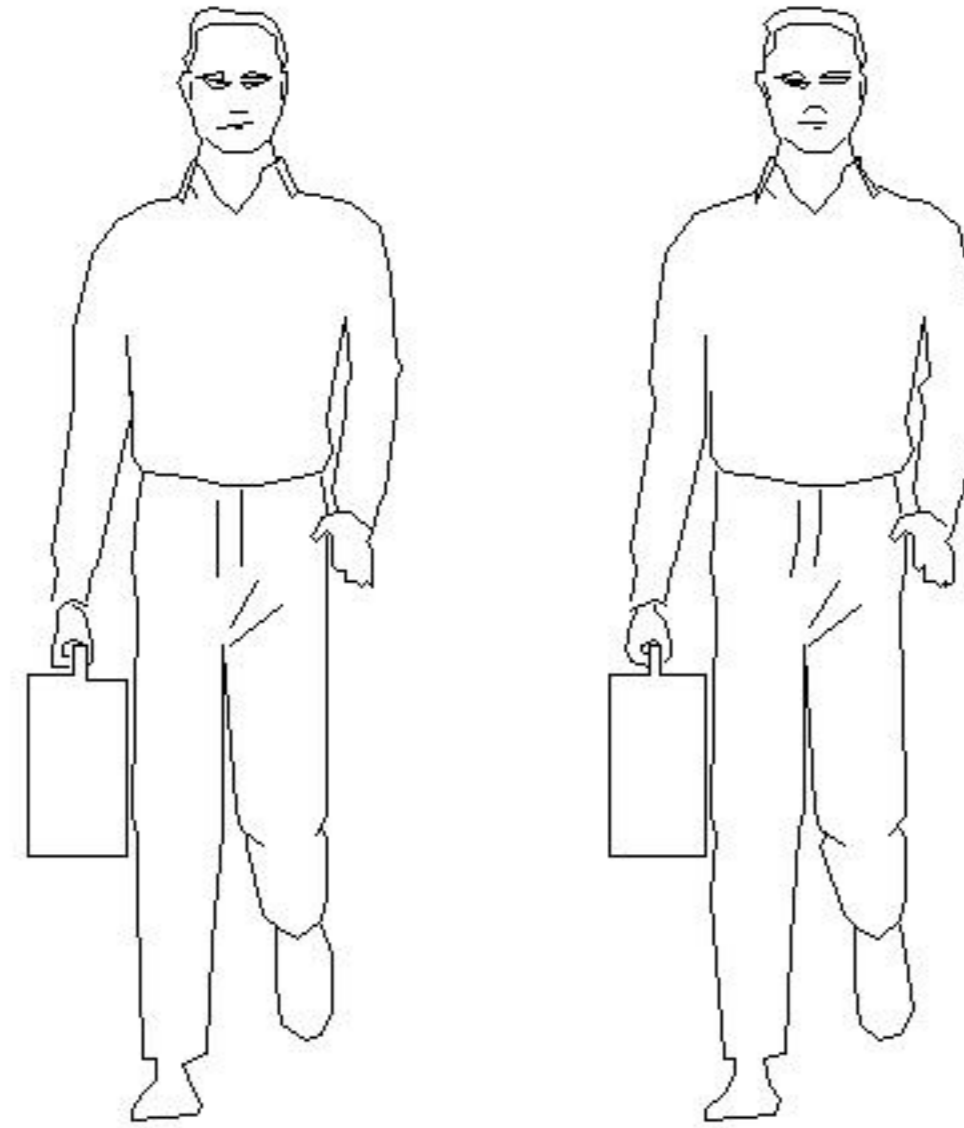
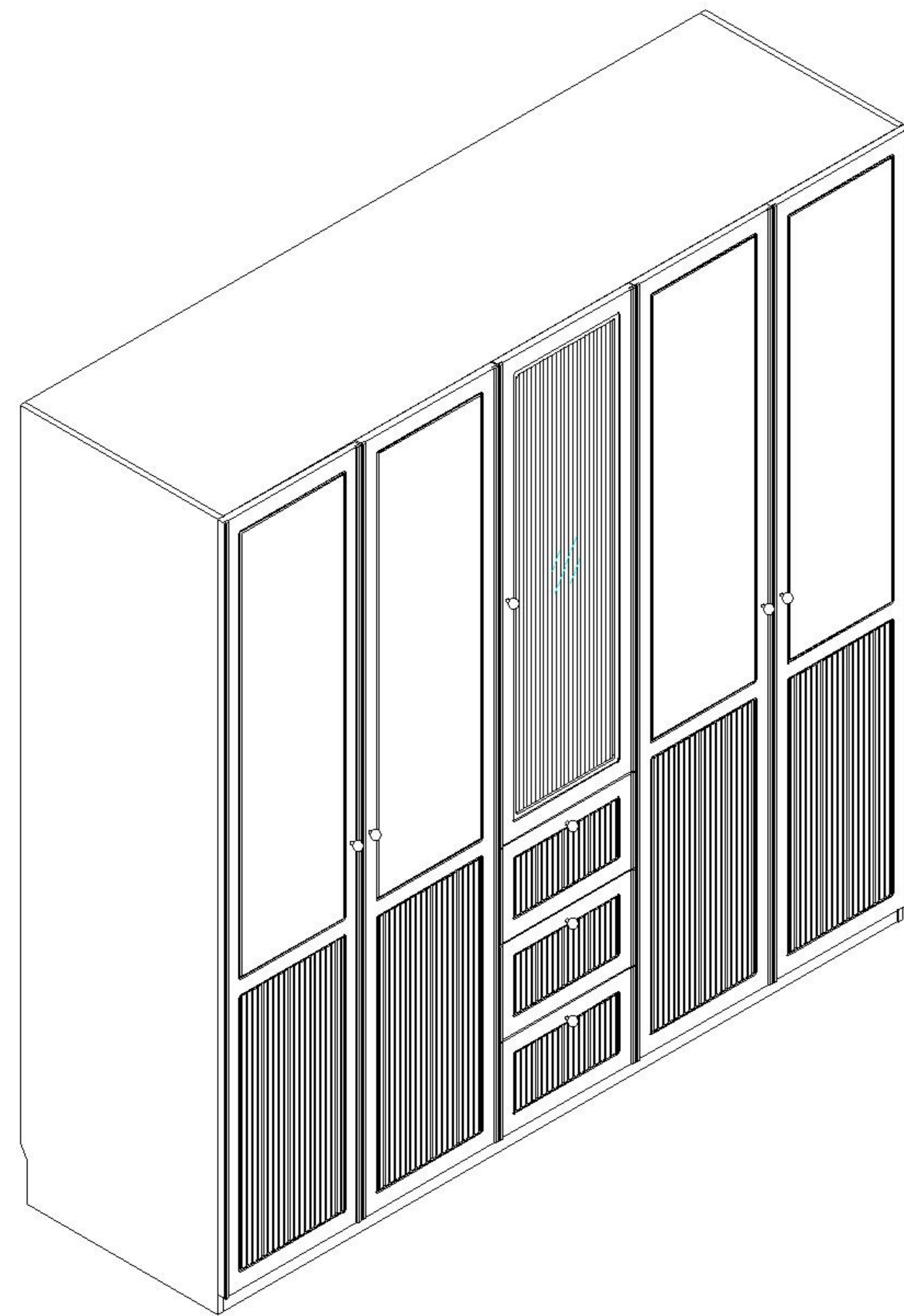


安装示意图/Assembly Instruction

产品名称 Model NO.	TE11D-A
产品规格 Specification	1990*620.5*2003mm
安装工具 Tool	安装人数 Installer
	



注：安装至少需要2人
Note: 2 persons are required at least for installation

 (A)* 93 二合一螺杆 2-in-1-screw	 (B)* 93 大三合一锁饼 Three-in-one large lock	 (C)* 21 木榫Ø8x30mm wood tenon	 (D)* 55 自攻螺丝M3.5x12mm Self-tapping screw	 (E)* 17 自攻螺丝M3.5x16mm Self-tapping screw	 (F)* 17 背板扣 Back Plate Buckle-White	 (G)* 8 拉手 Handle	 (H)* 8 拉手螺丝-M4x22mm pulling screw
 (I)* 3 透气孔盖-白色 Vent cover - white	 (J)* 8 挂衣托-F874-B Clothes hanger	 (K)* 1 挂衣杆1 L-359 Clothes hanging rod 1	 (L)* 1 挂衣杆2 L-390 Clothes hanging rod 2	 (M)* 2 挂衣杆3 L-758 Clothes hanging rod 3	 (N)* 16 缓冲门铰直弯-杯径Ø35 Hinge-straight bending-diameter 35	 (O)* 24 层板托 shelf support	 (P)* 16 脚垫-灰色 Footrest - Grey
 (Q)* 3 缓冲门铰大弯-杯径Ø35 Hinge-big bends-diameter 35	 (R)* 4 过山丝-M7x38mm Self-tapping screw galvanized	 (S)* 1 内六角扳手4mm spanner-(4mm) hex	 (T)* 3 三节滚珠导轨-14" three-section ball rail				

TE11D-A

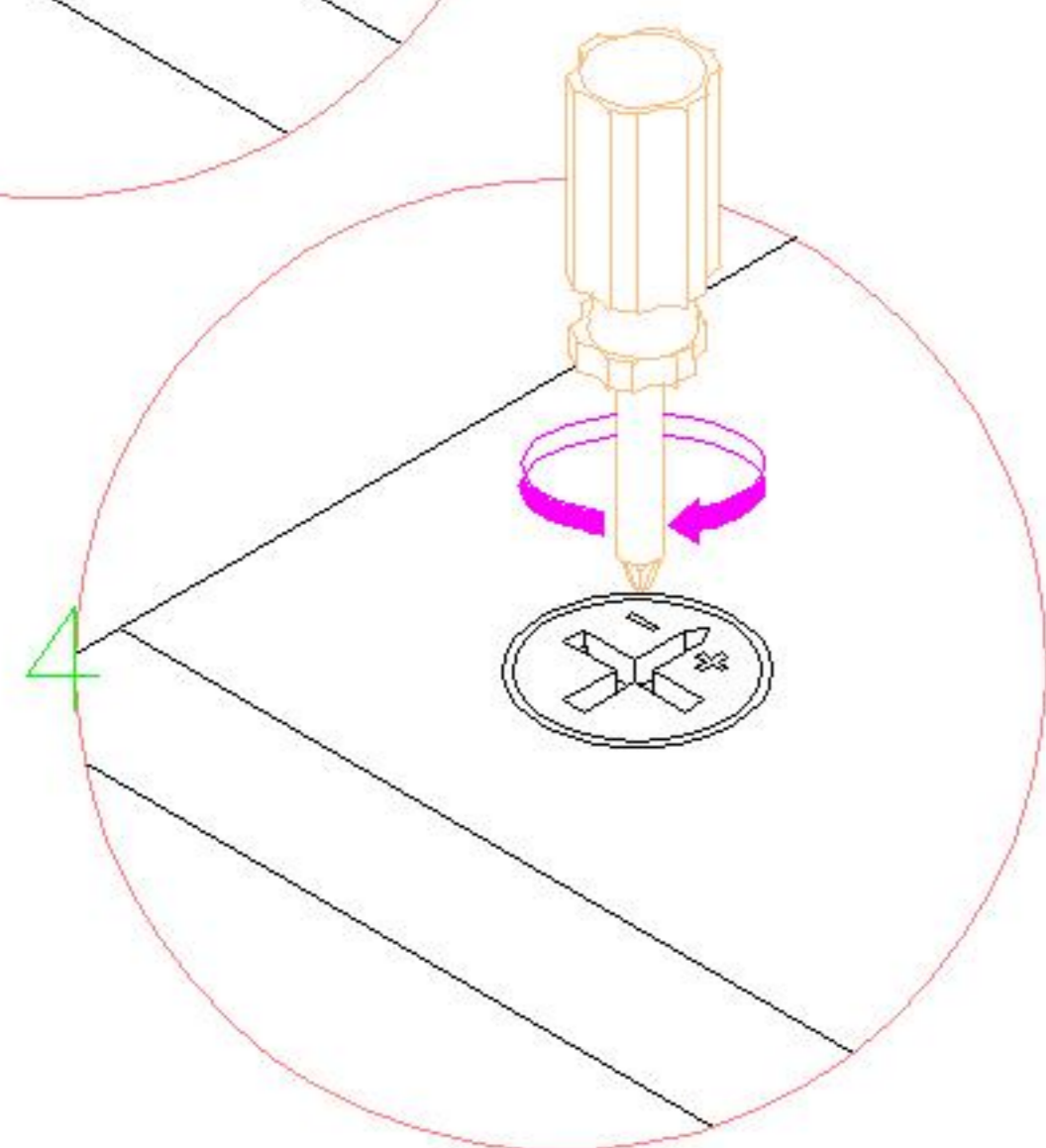
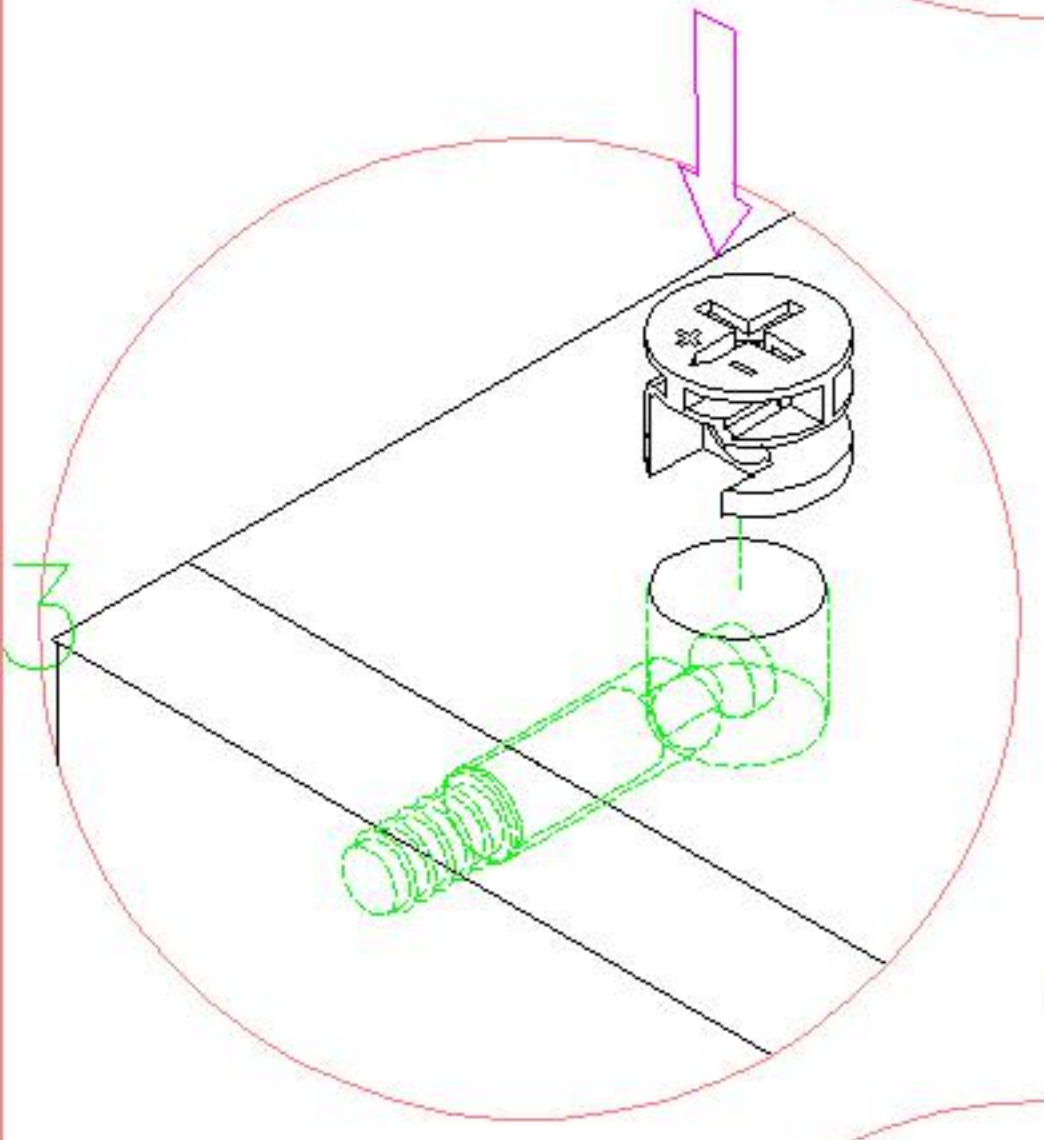
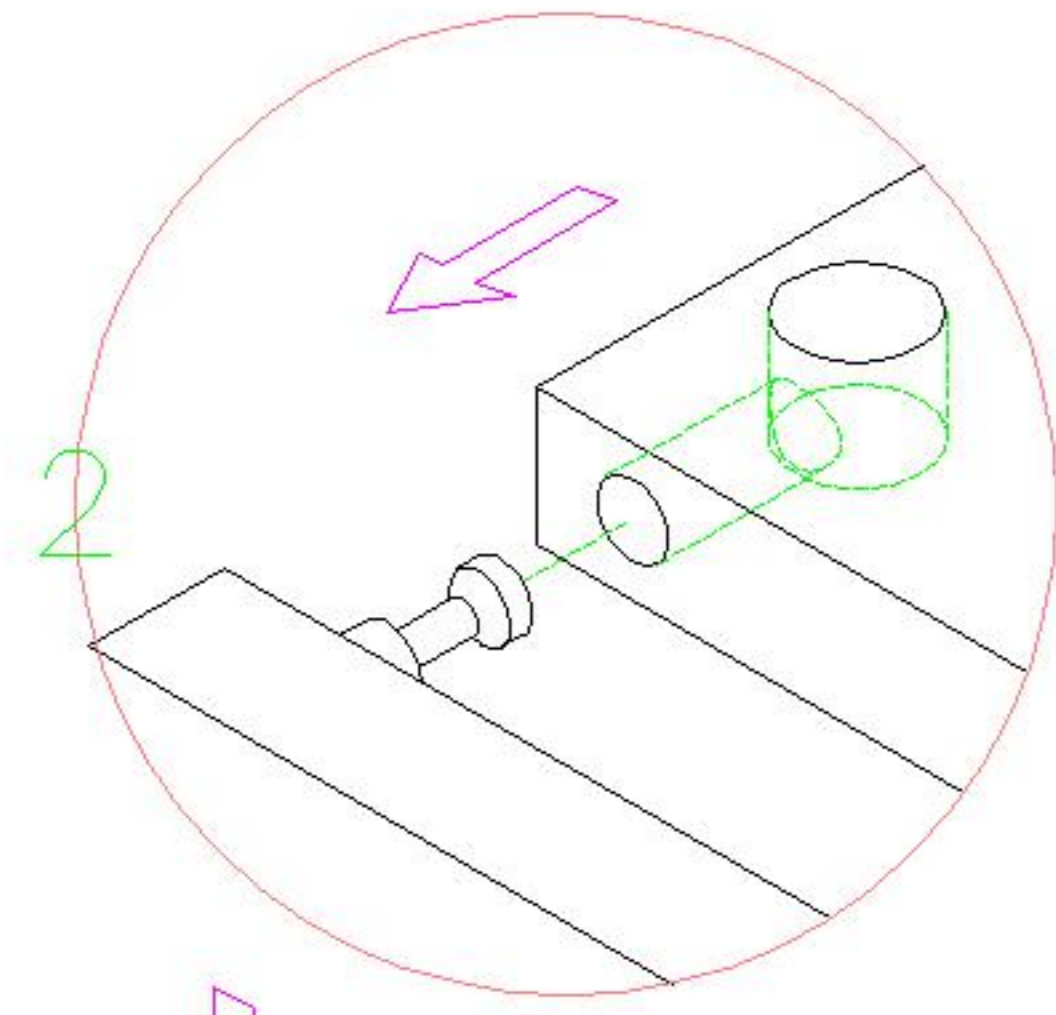
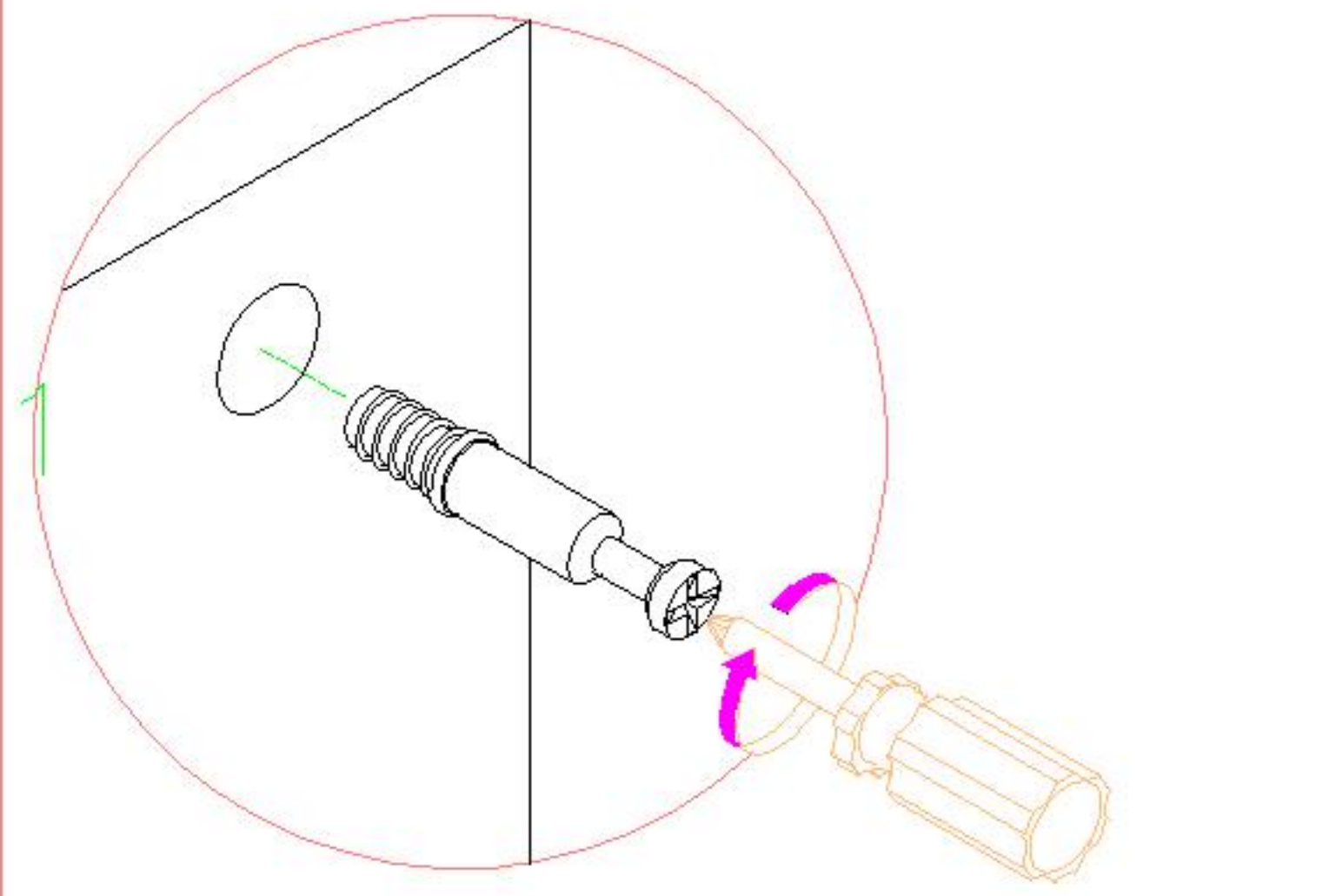
部件表/Parts List

部件表/Parts List

编号NO.	名称Name	规格 (mm) Specification	数量QTY	材质Material	编号NO.	名称Name	规格 (mm) Specification	数量QTY	材质Material
①	右侧板Side board(R)	2000*574*15	1	人造板 WBP					
②	左侧板Side board(L)	2000*574*15	1	人造板 WBP					
③	顶板Top board	1960*574*15	1	人造板 WBP					
④	底板Bottom board	1960*554*15	1	人造板 WBP					
⑤	长层板Long laminate	765*532*15	1	人造板 WBP					
⑥	固定层板Fixed shelf	765*532*15	1	人造板 WBP					
⑦	活动层板Movable shelf	382*532*15	3	人造板 WBP					
⑧	活动层板1 Movable shelf 1	397*532*15	1	人造板 WBP					
⑨	中侧板Middle side board	1912*534*15	2	人造板 WBP					
⑩	短中侧板Short middle side plate	1577*532*15	1	人造板 WBP					
⑪	边背拉条Side back brace	1912*140*15	2	人造板 WBP					
⑫	背拉条Back brace	1912*140*15	2	人造板 WBP					
⑬	大背板Big backboard	1922*575*5	2	人造板 WBP					
⑭	小背板Small backplane	1922*284*5	1	人造板 WBP					
⑮	长脚条Long foot slat	1960*58*15	2	人造板 WBP					
⑯	中脚条Middle foot strip	522*58*15	2	人造板 WBP					
⑰	抽屉侧板Drawer's sideboard	395*174*15	6	人造板 WBP					
⑱	抽屉后板Drawer's Back board	372*174*15	3	人造板 WBP					
⑲	抽屉底板Drawer's Bottom board	352*405*5	3	人造板 WBP					
⑳	抽屉面板Drawer's top panel	396*242*22	3	吸塑板Blister board					
㉑	左门板Door board(L)	1950*396*22	2	吸塑板Blister board					
㉒	右门板Door board(R)	1950*396*22	2	吸塑板Blister board					
㉓	中门板组立Middle doorframe	1215*396*22	1	吸塑板+玻璃Blister board+Glass					

TE11D-A

安装方法/
Installation method



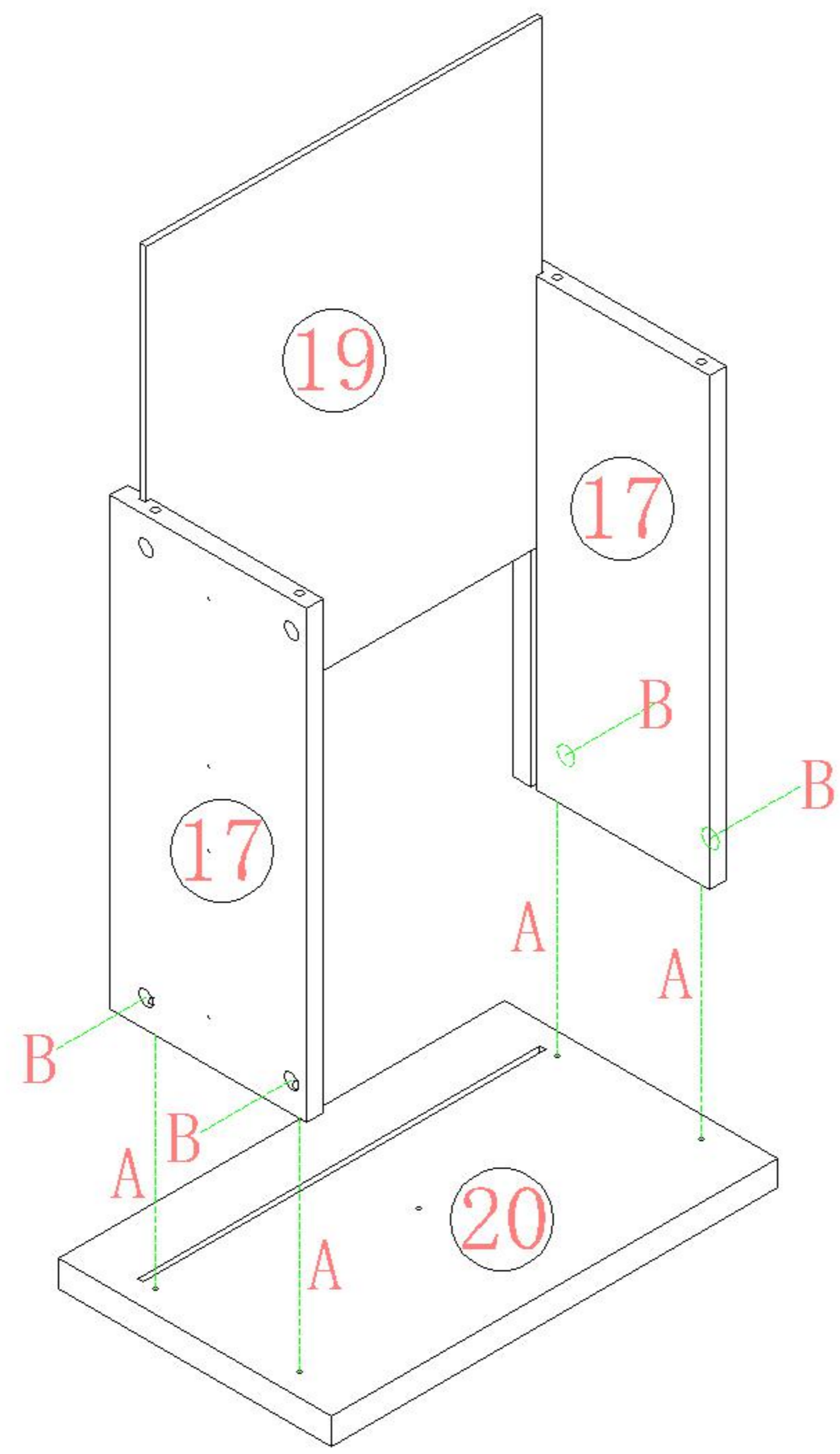
大二合一
two-in-one



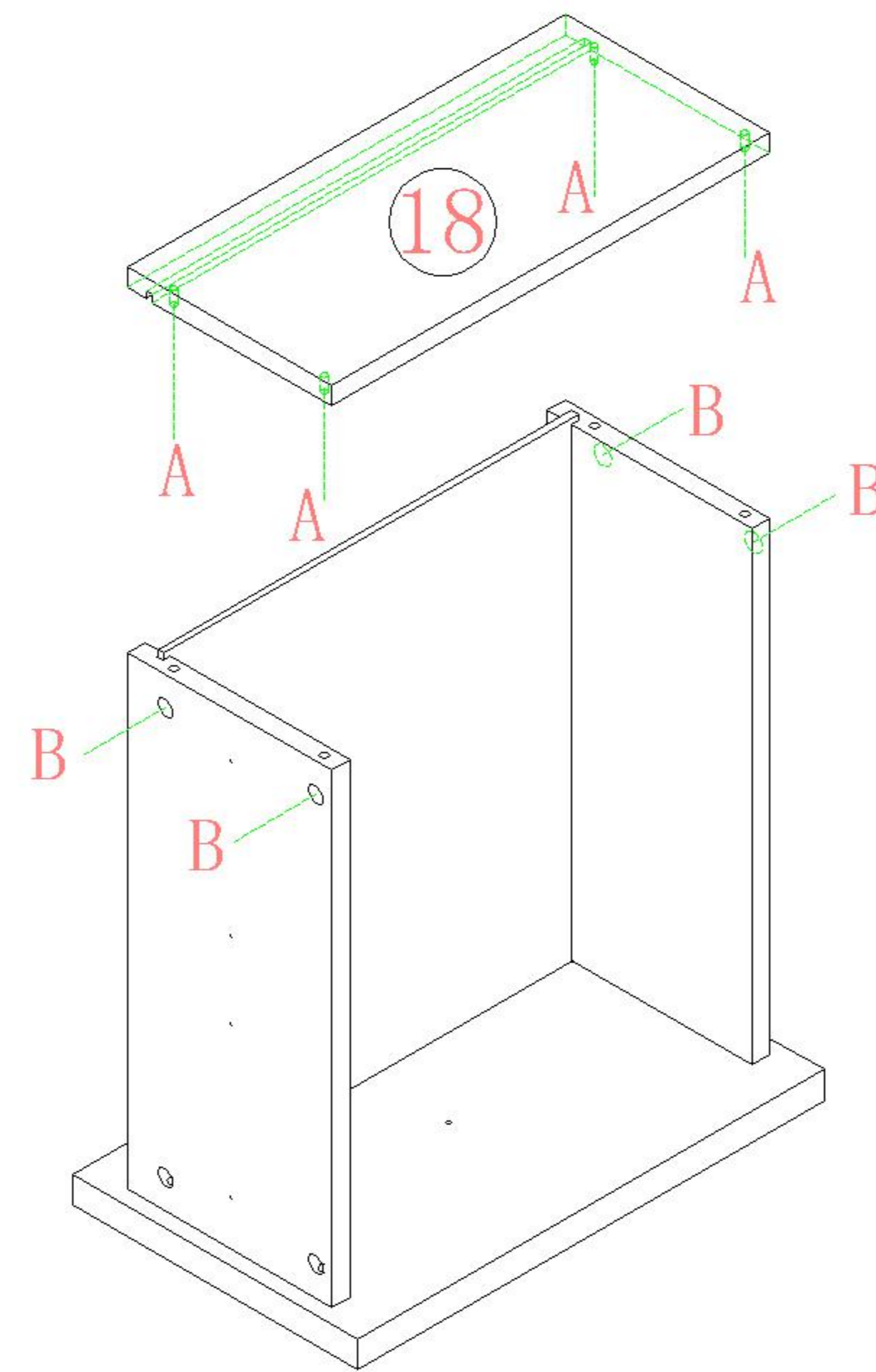
(A)*24



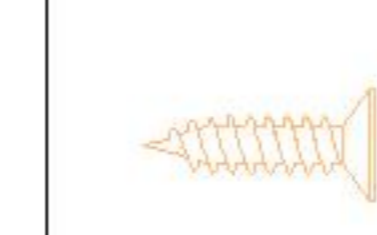
(B)*24



× 3



1



(D)*18



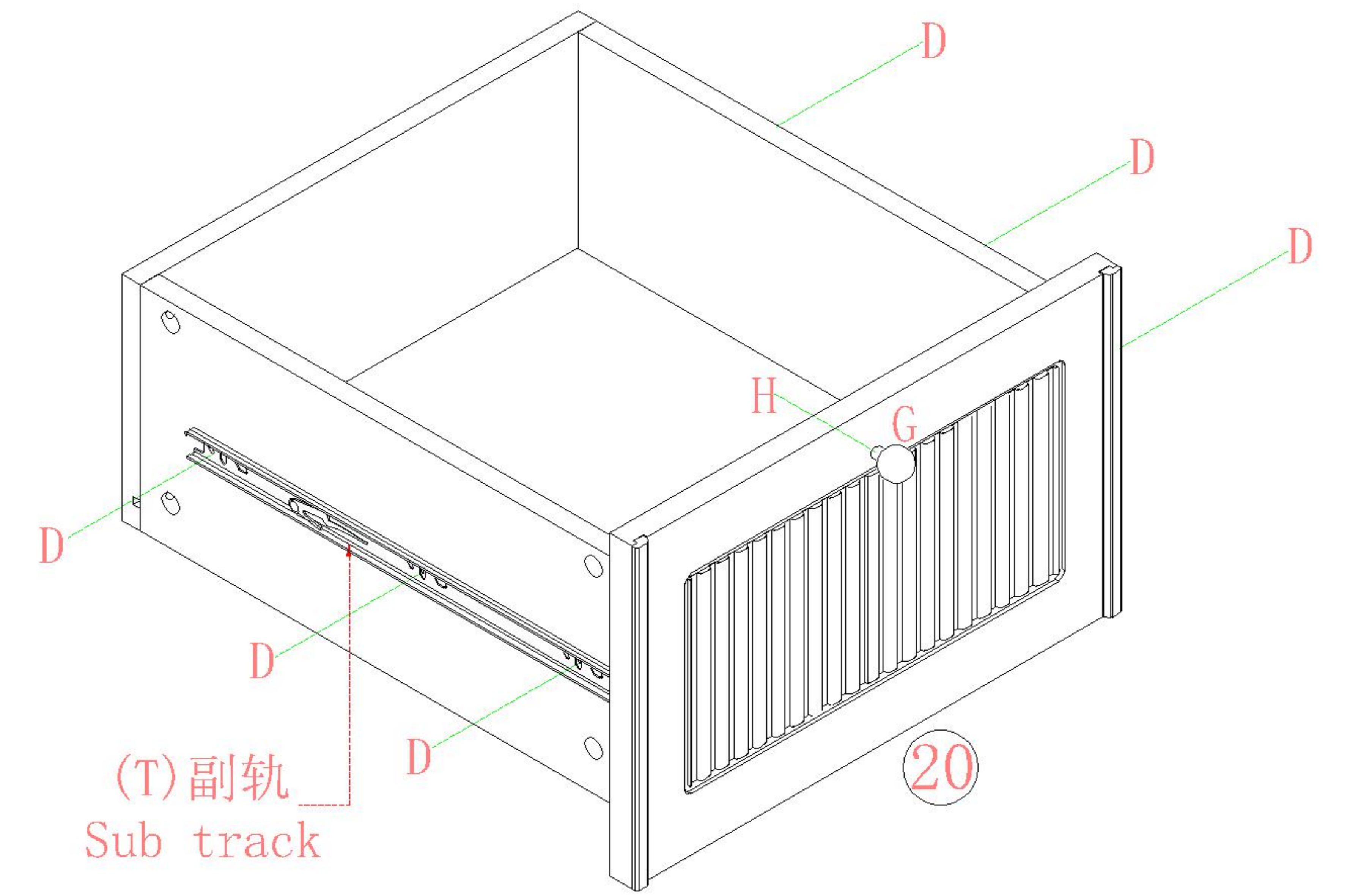
(G)*3



(H)*3



(T)*3

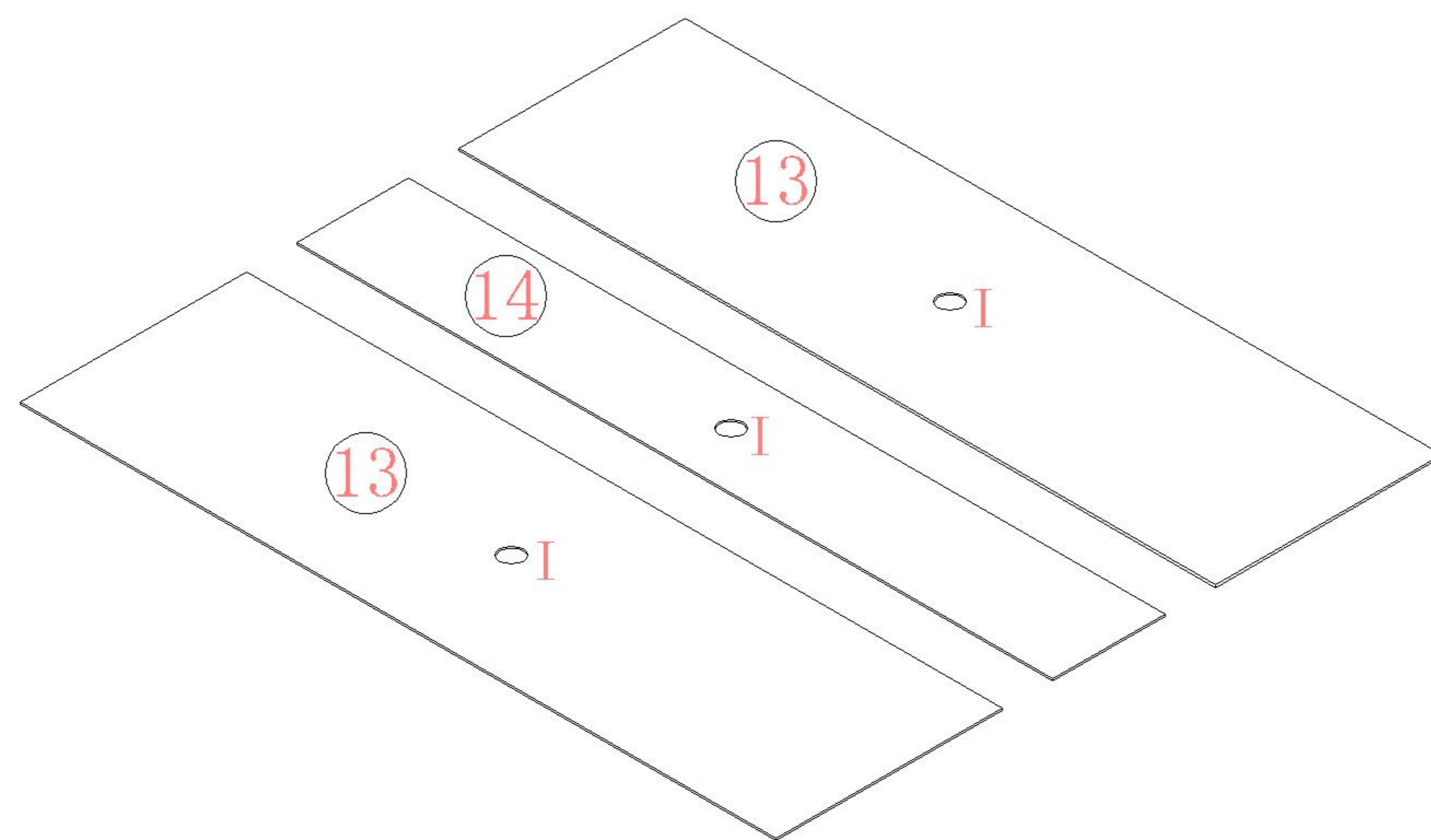


× 3

2



(I)*3



3



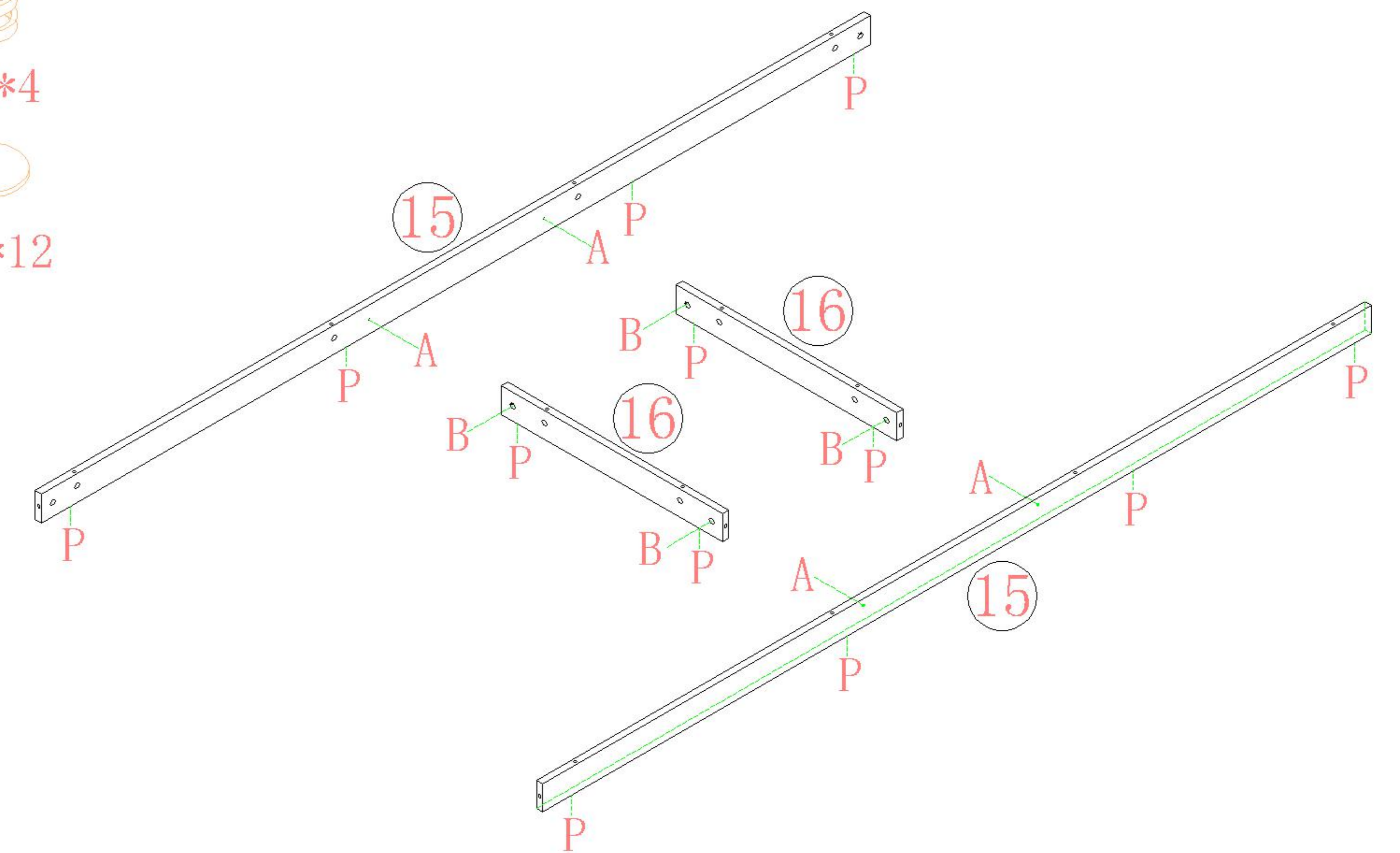
(A)*4



(B)*4



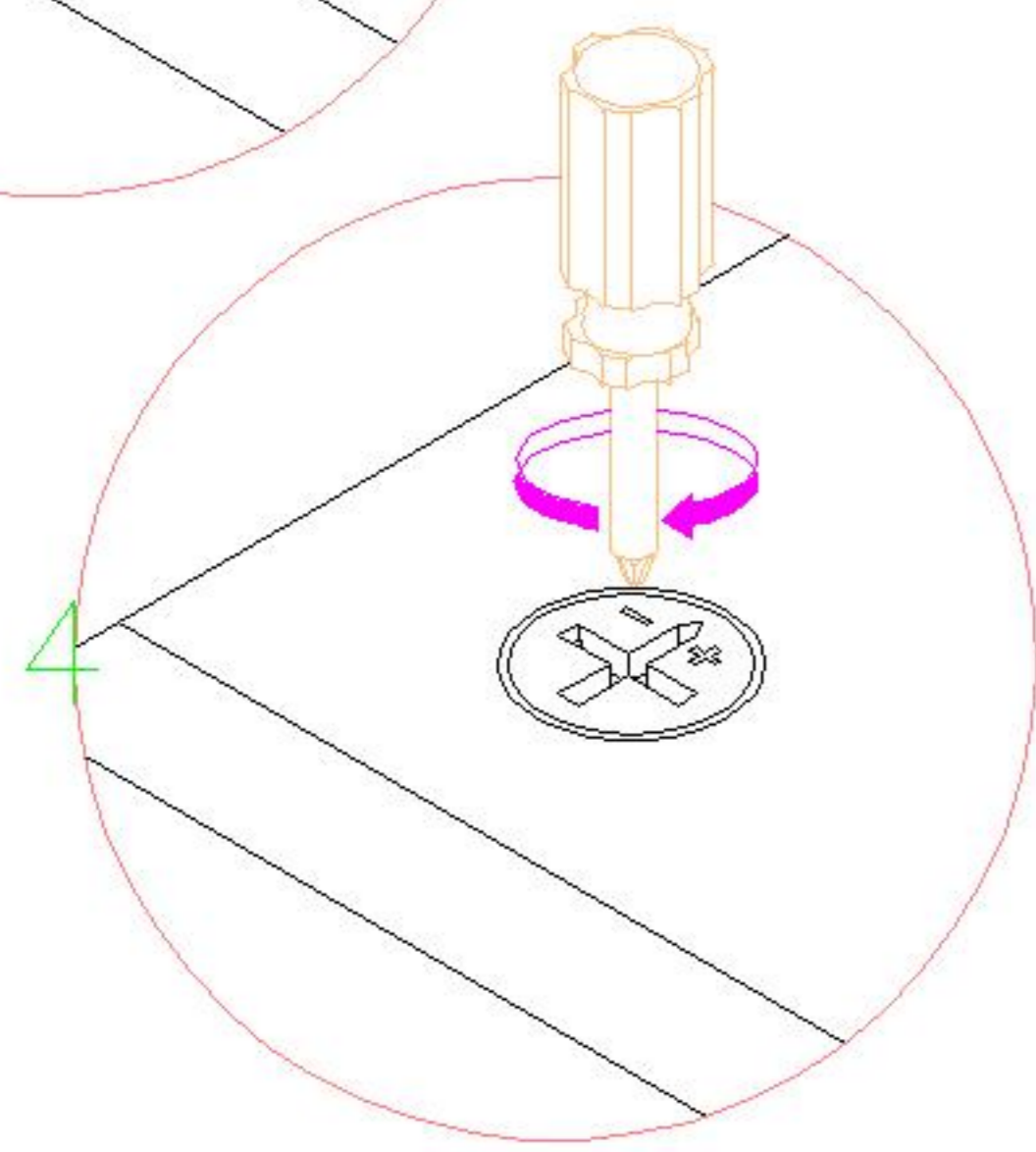
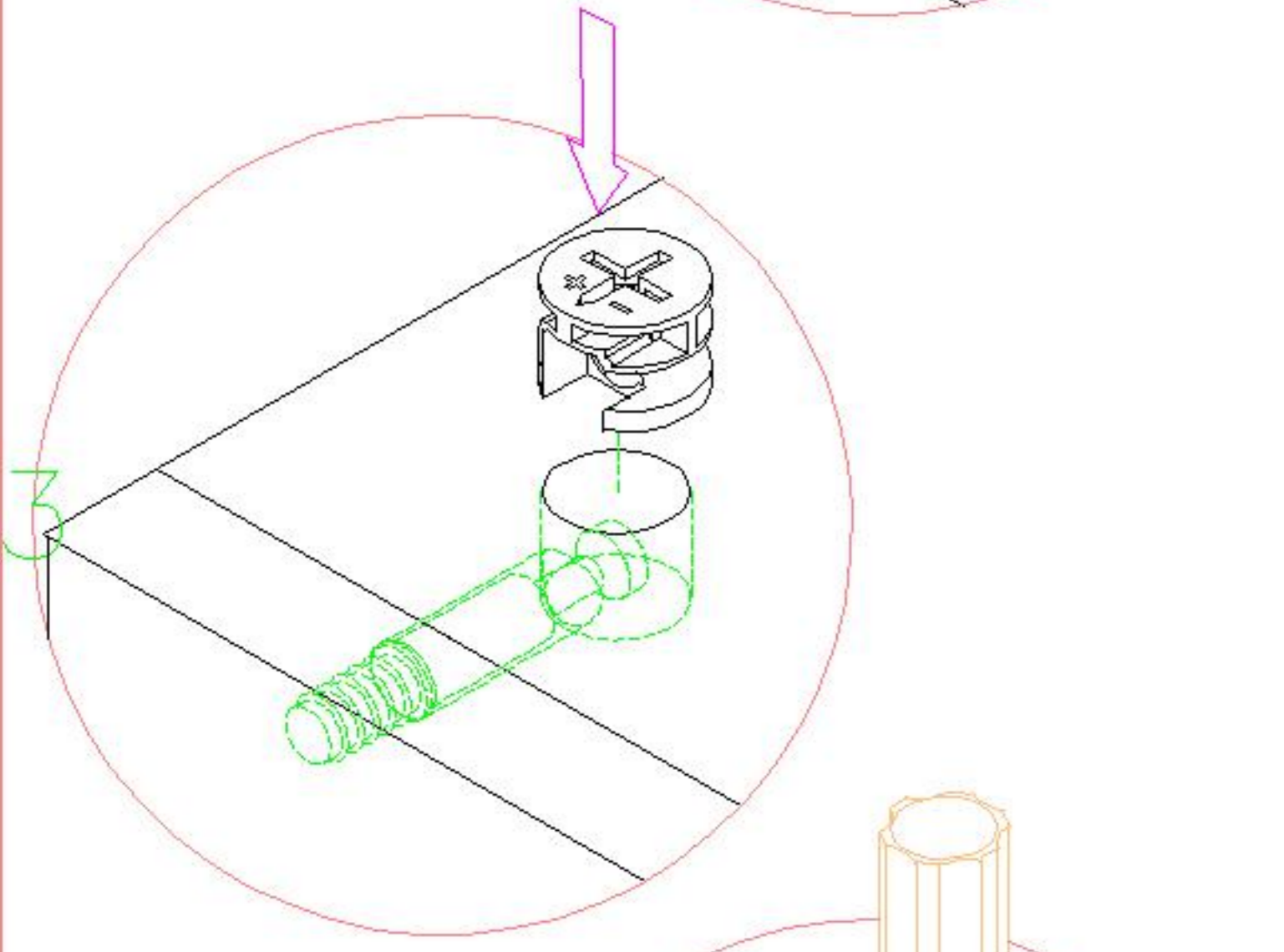
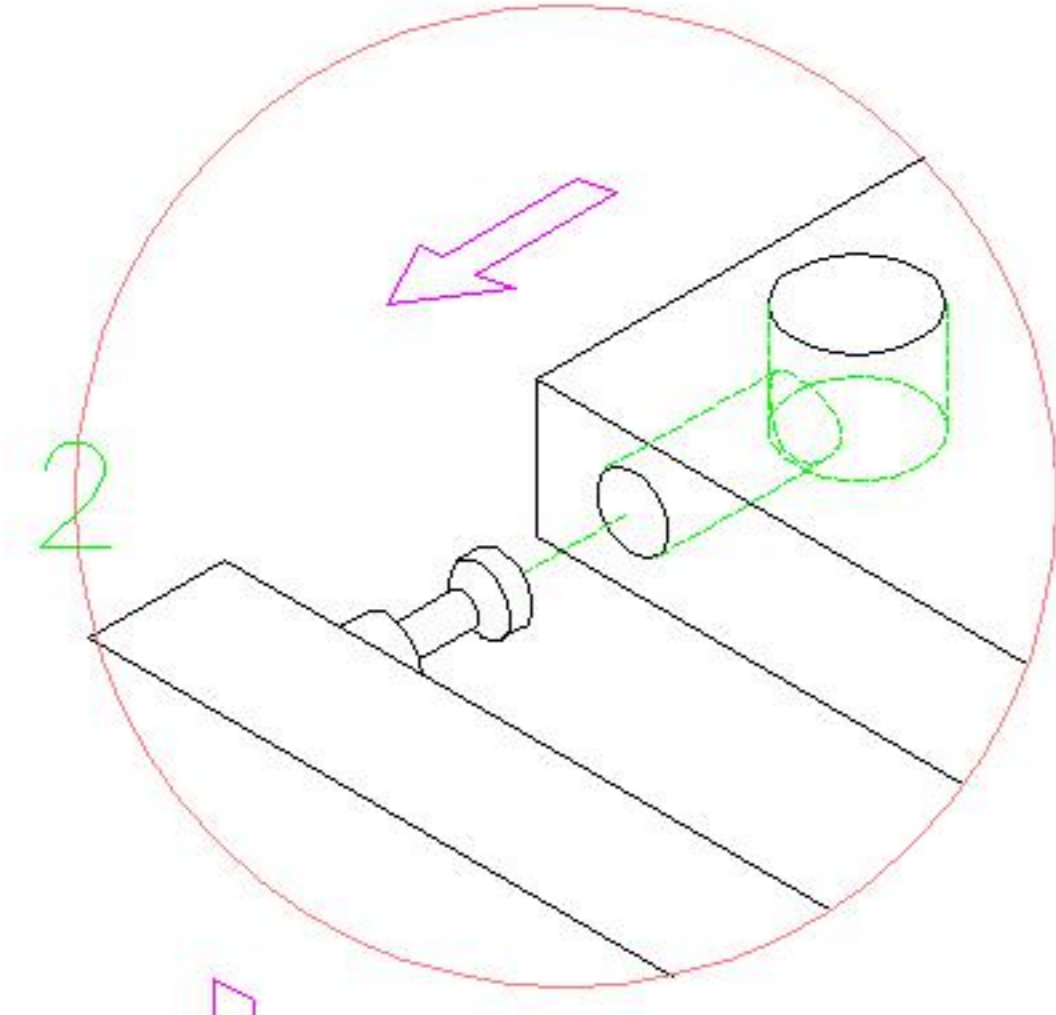
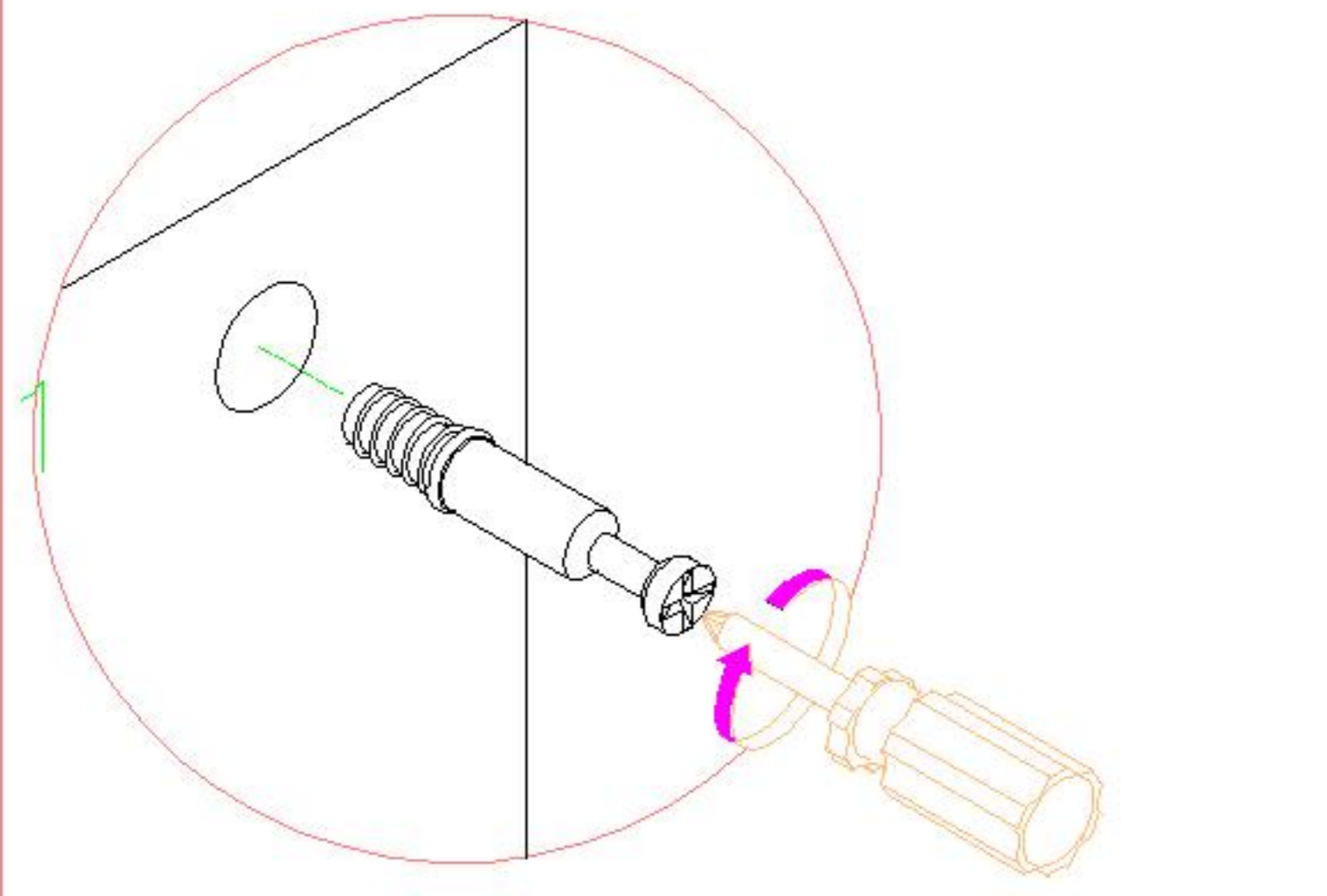
(P)*12



4

TE11D-A

安装方法/
Installation method



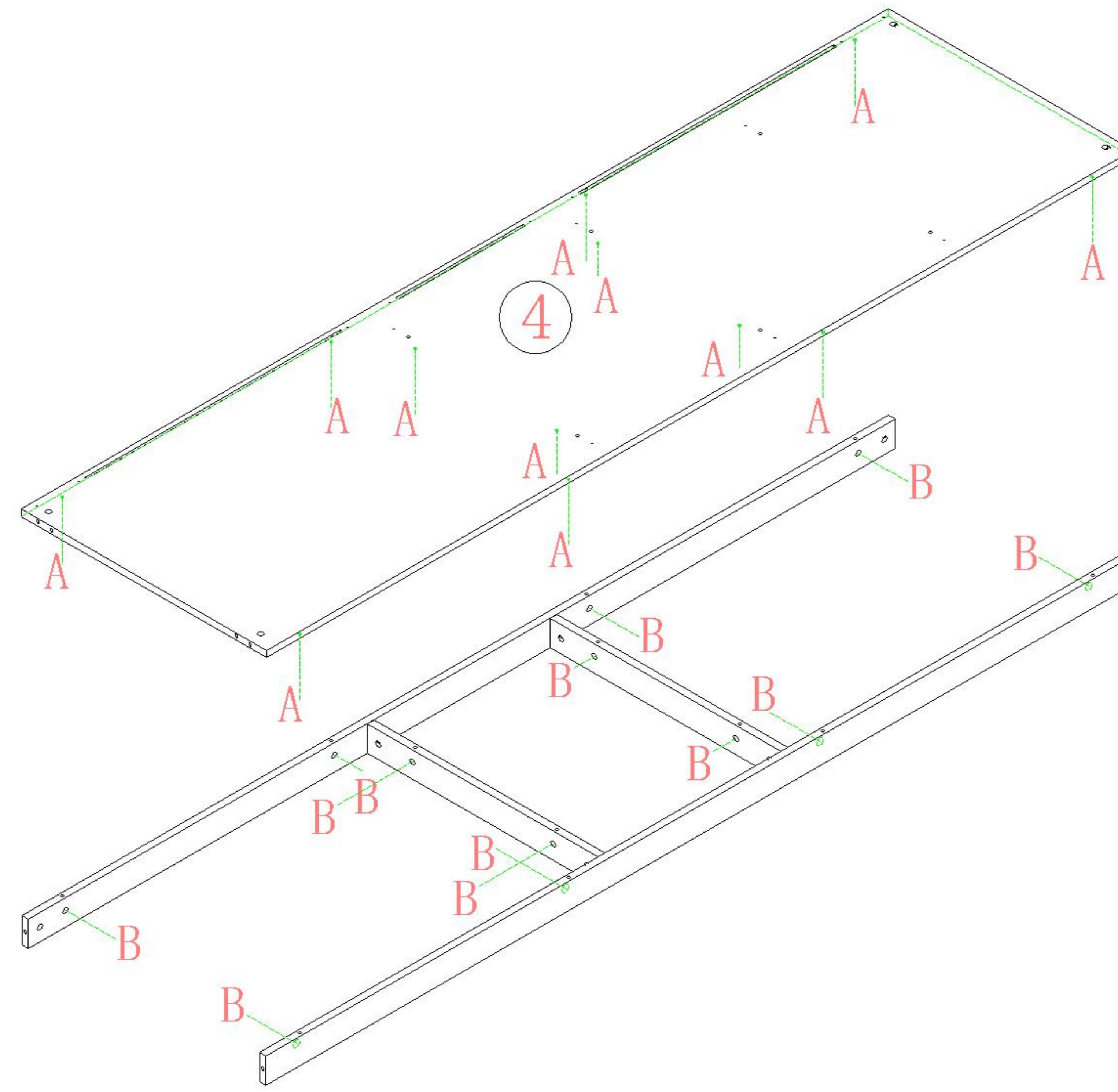
大二合一
two-in-one



(A)*12



(B)*12



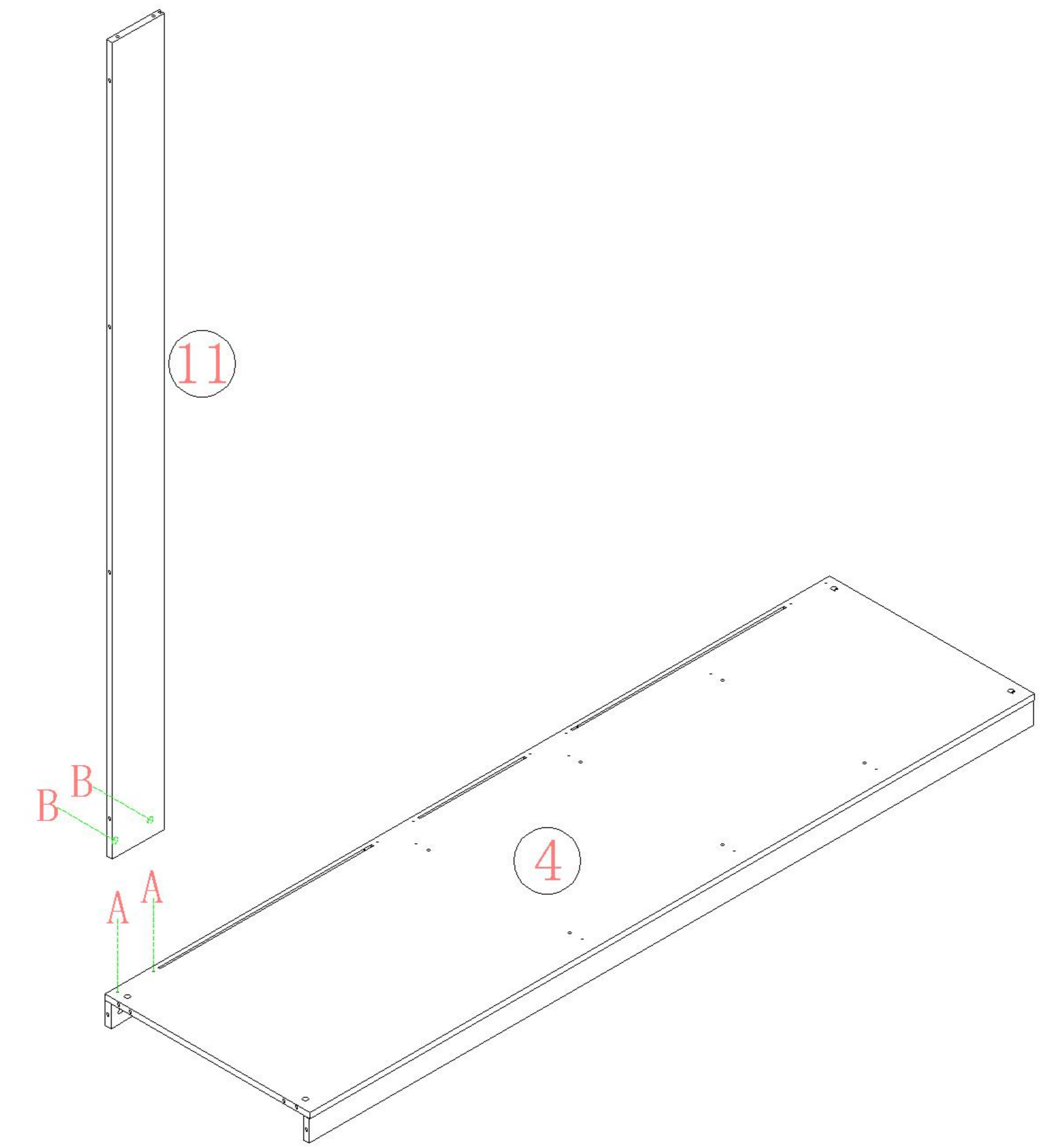
5



(A)*2



(B)*2



6



(A)*8



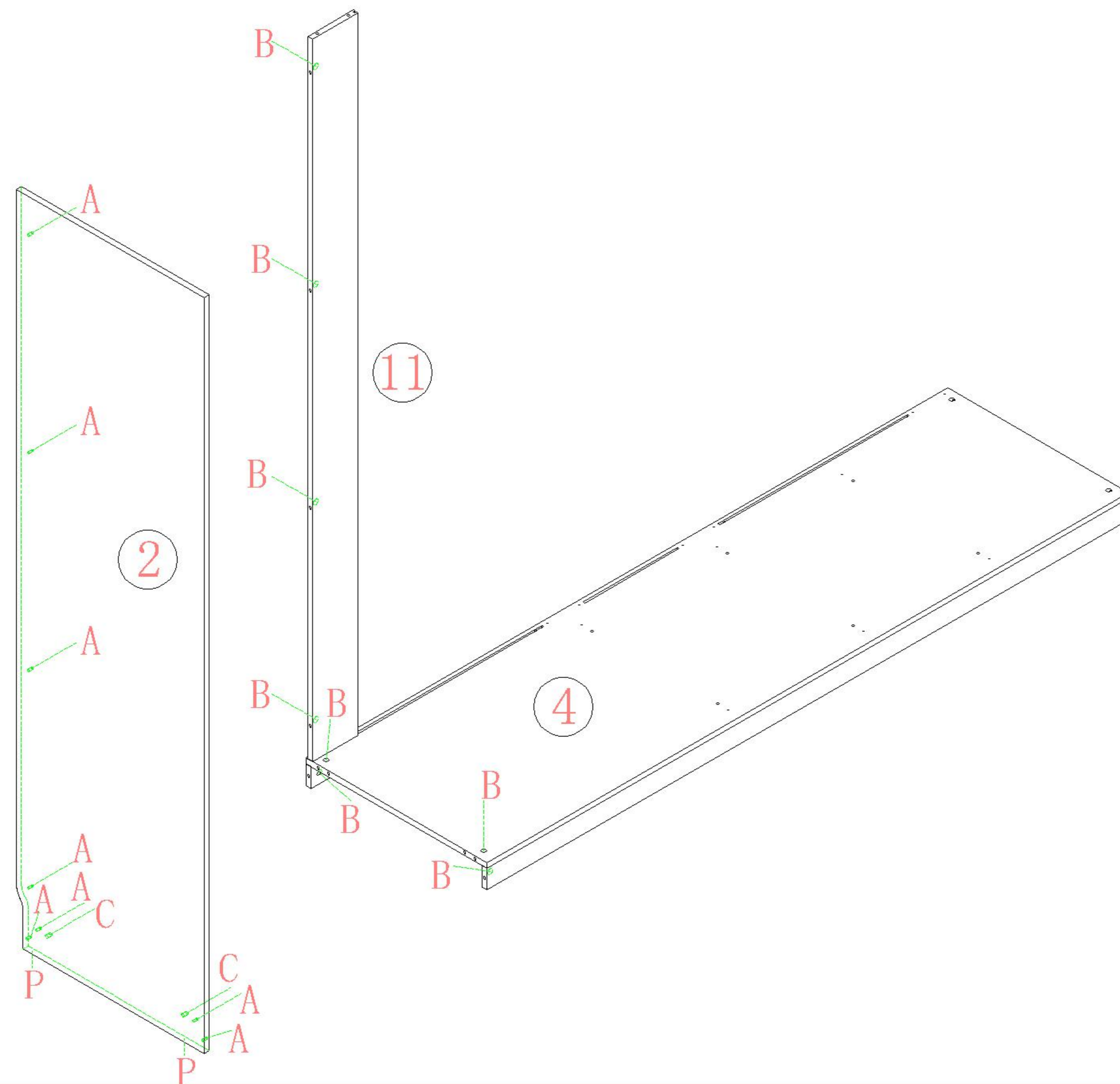
(B)*8



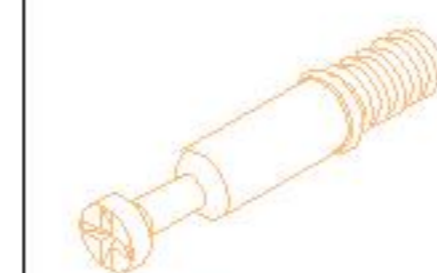
(C)*2



(P)*2



7

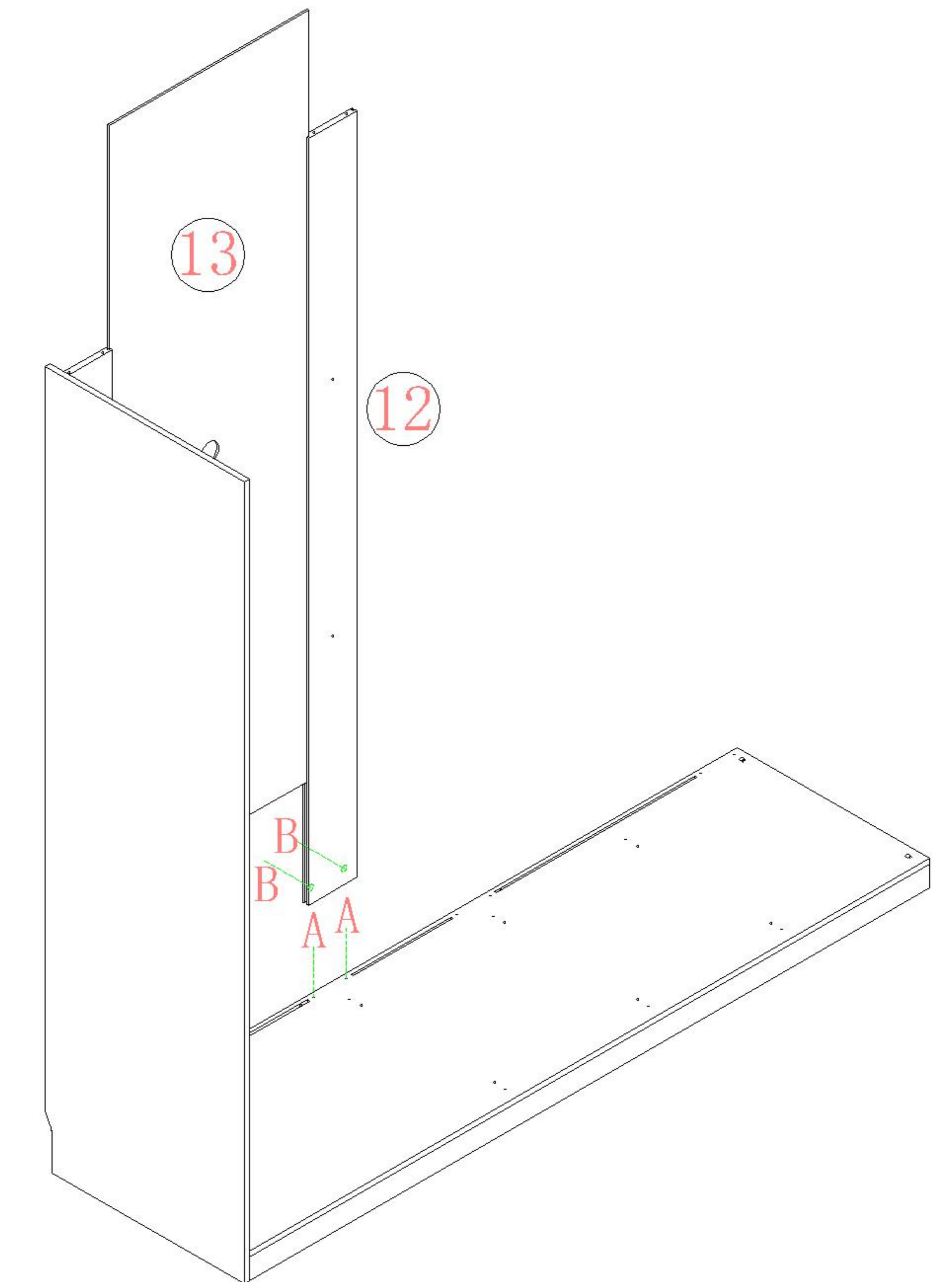


(A)*2



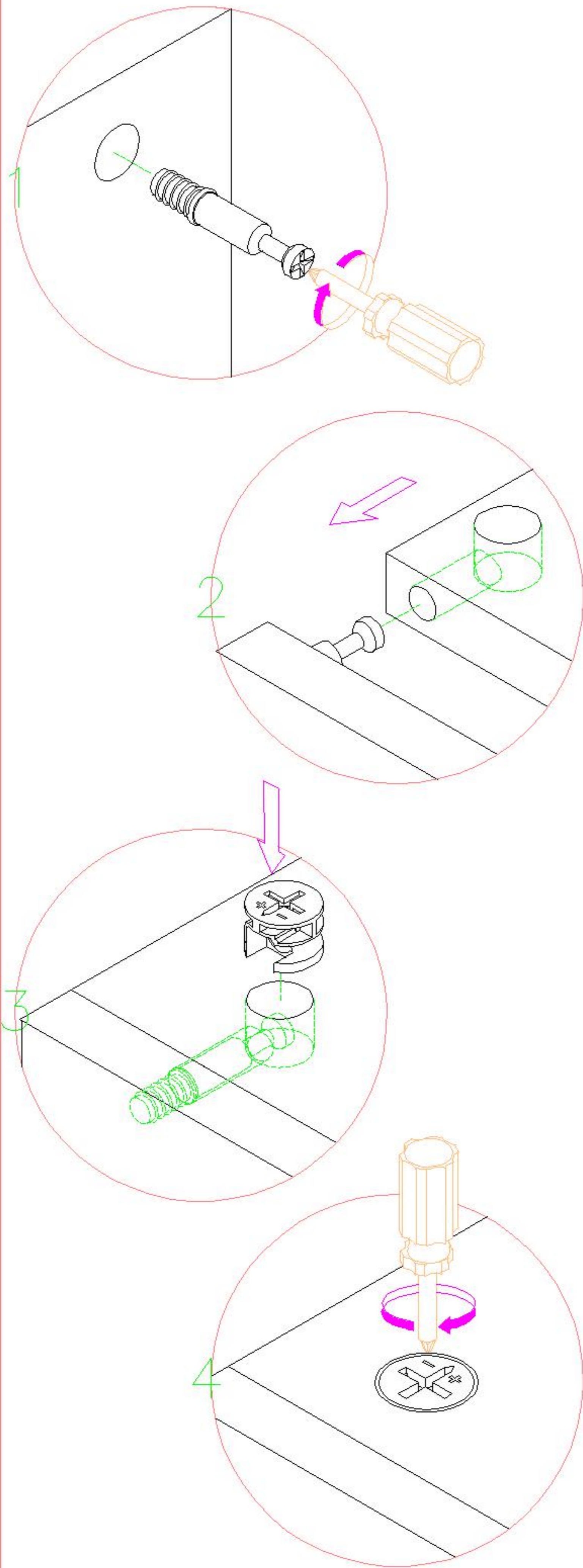
(B)*2

8



TE11D-A

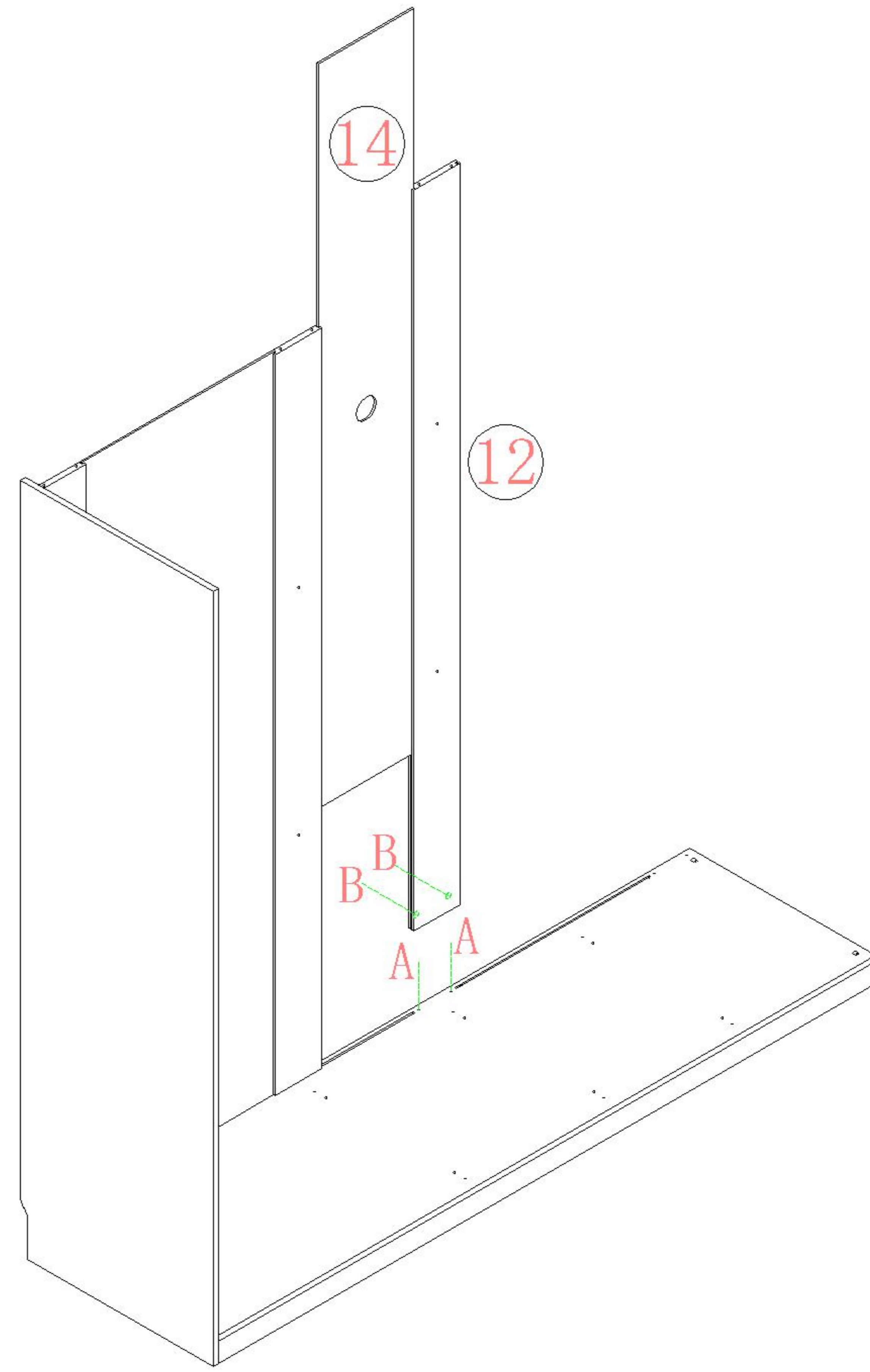
安装方法/
Installation method



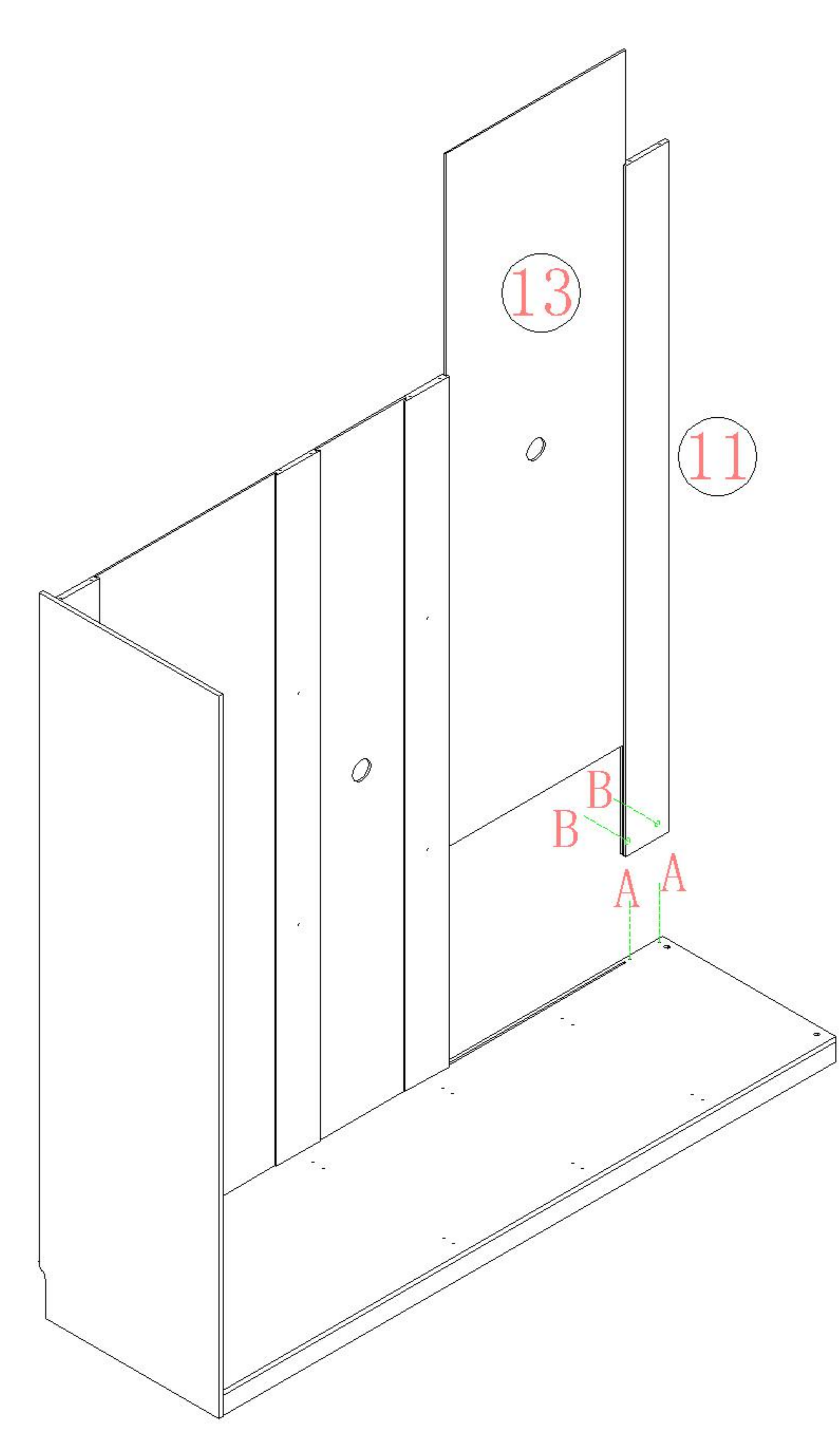
大二合一
two-in-one

- (A)*2
- (B)*2

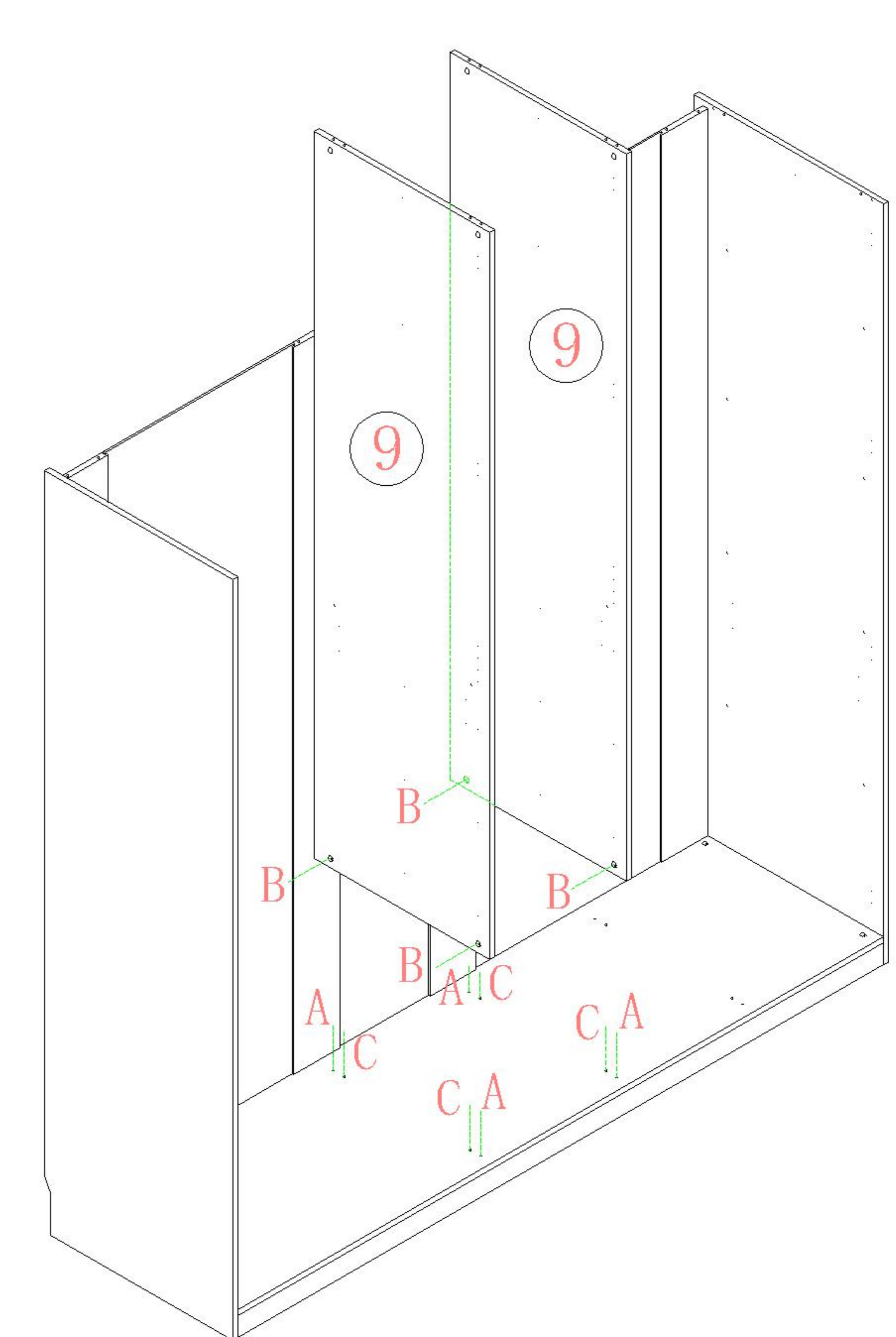
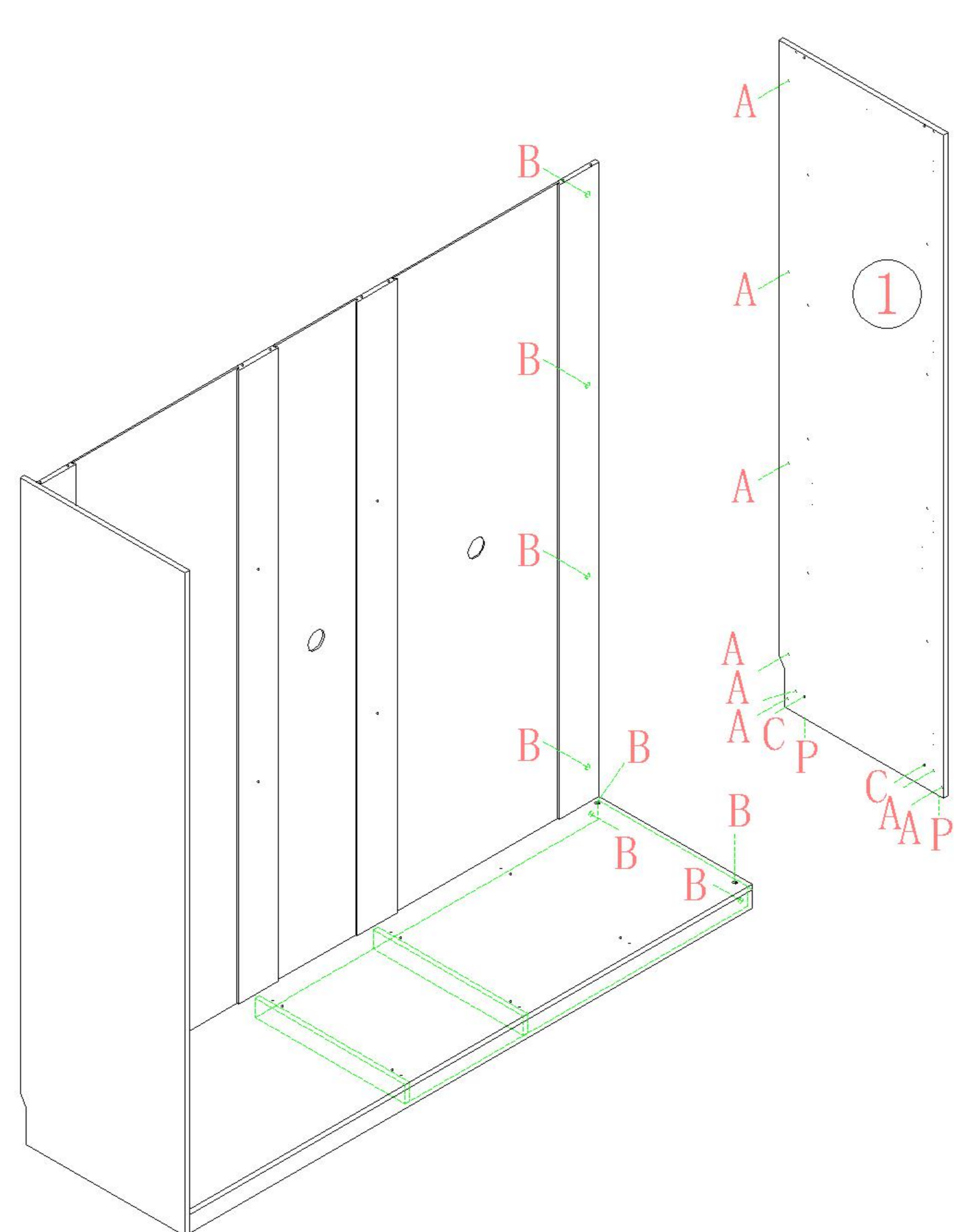
- (A)*8
- (B)*8
- (C)*2
- (P)*2



- (A)*2
- (B)*2

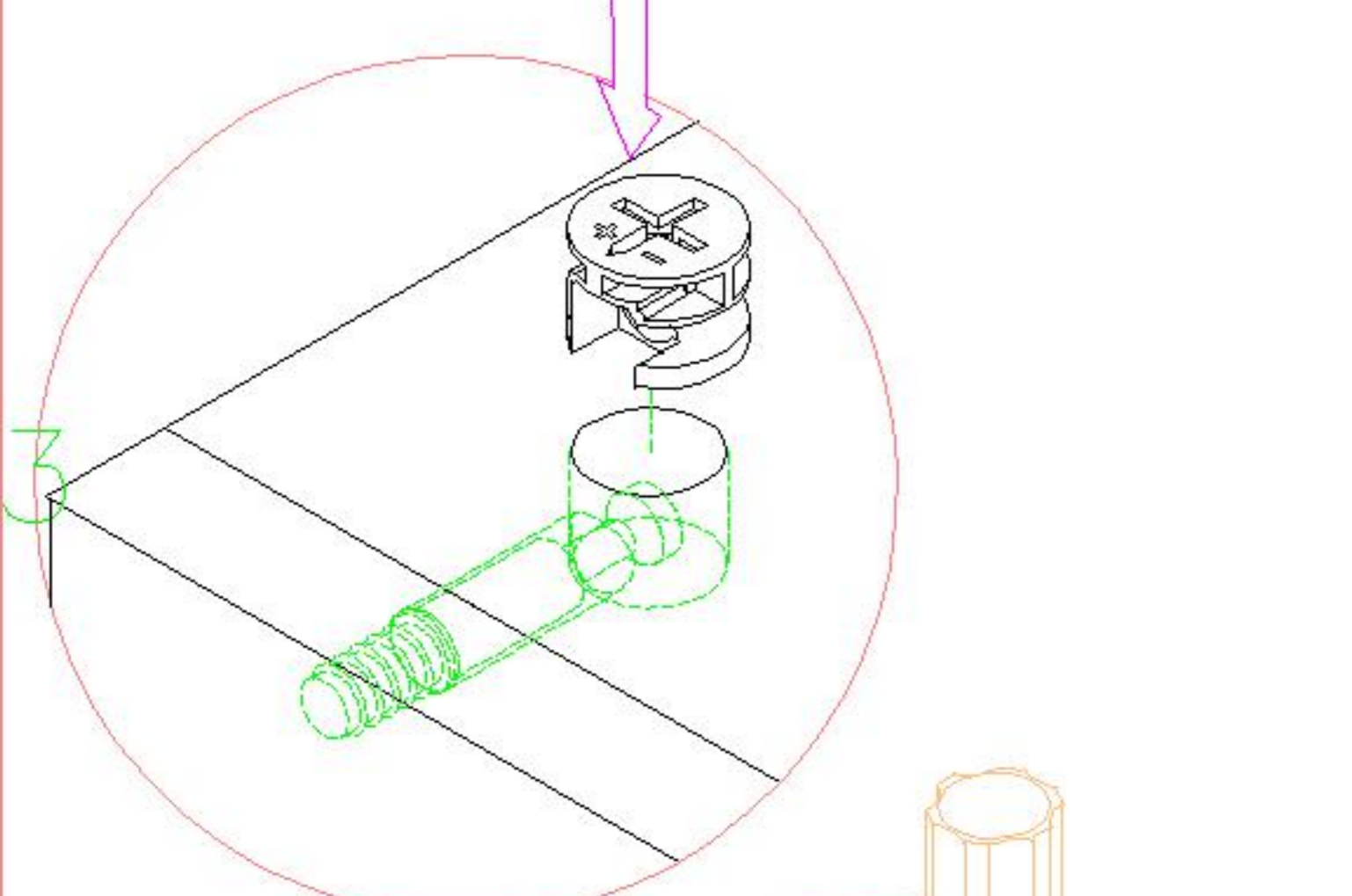
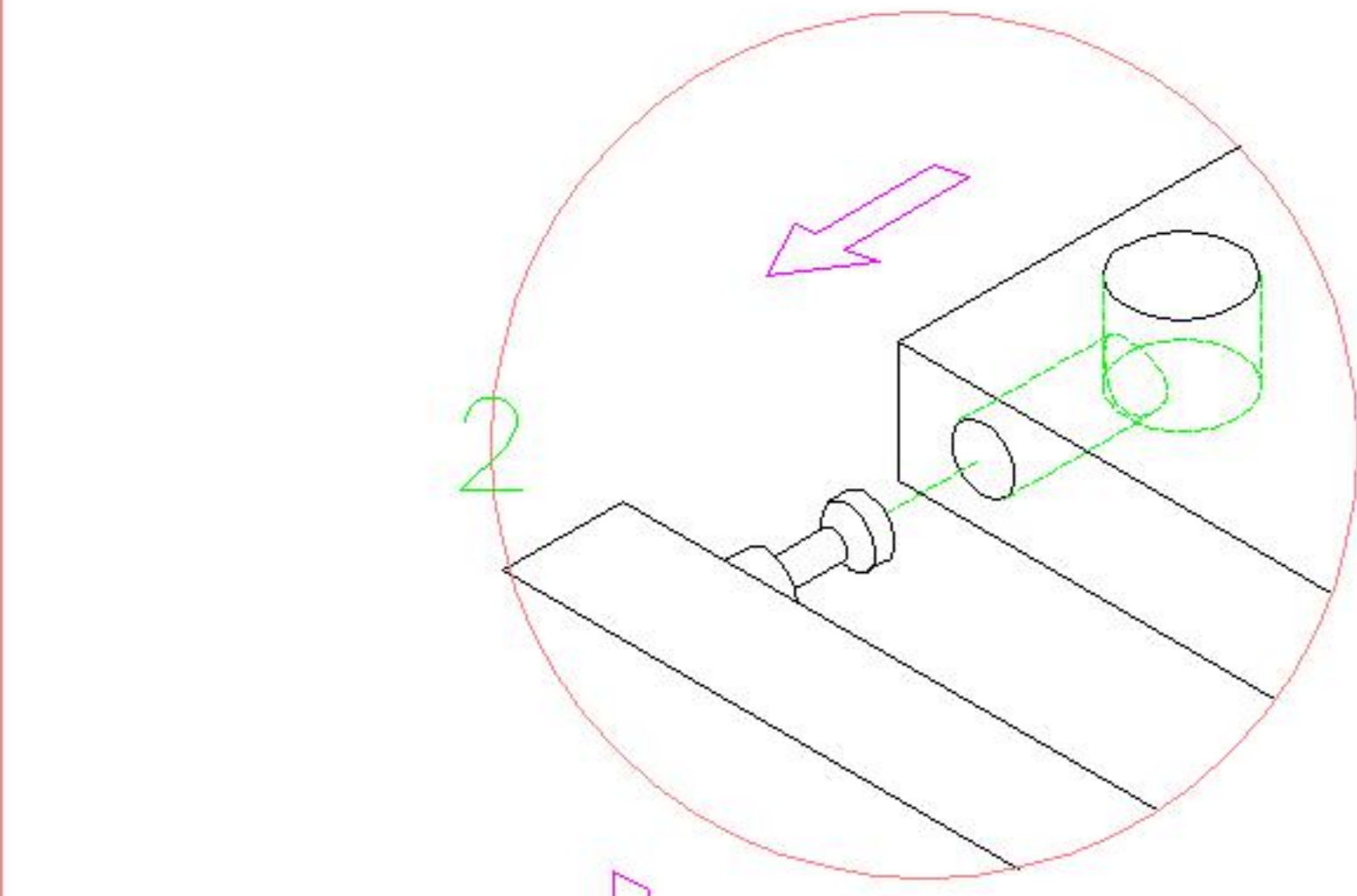
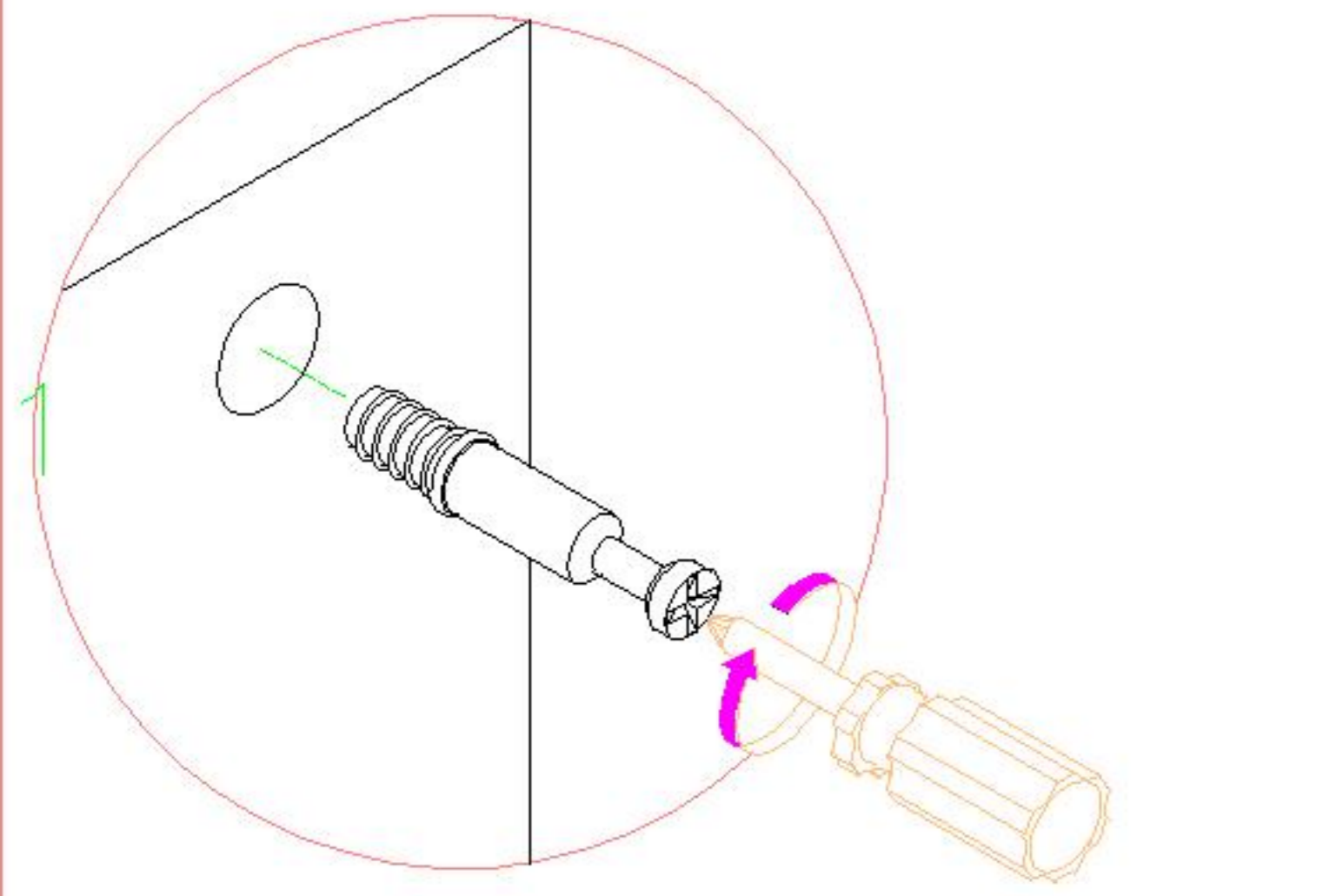


- (A)*4
- (B)*4
- (C)*4

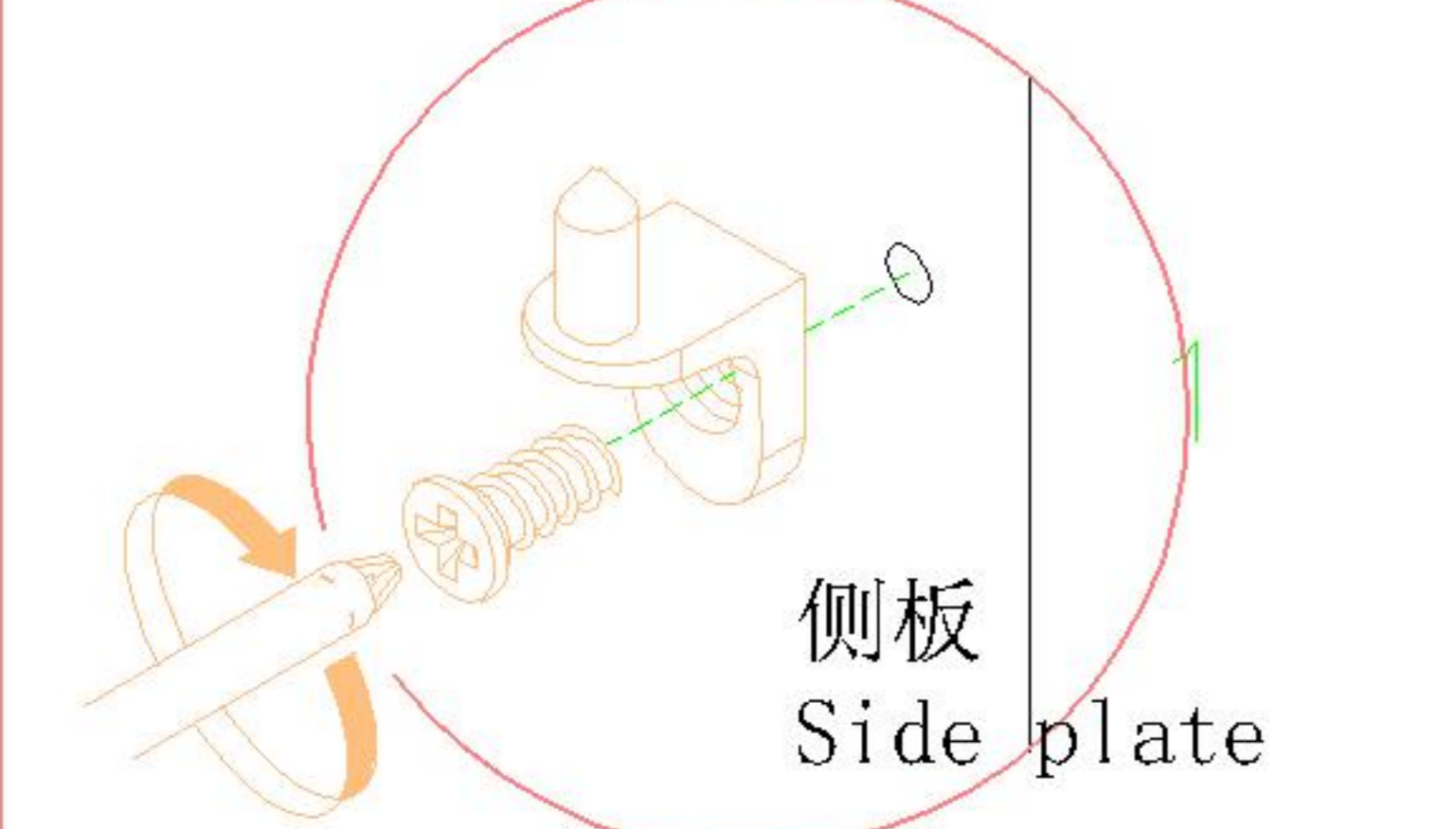


TE11D-A

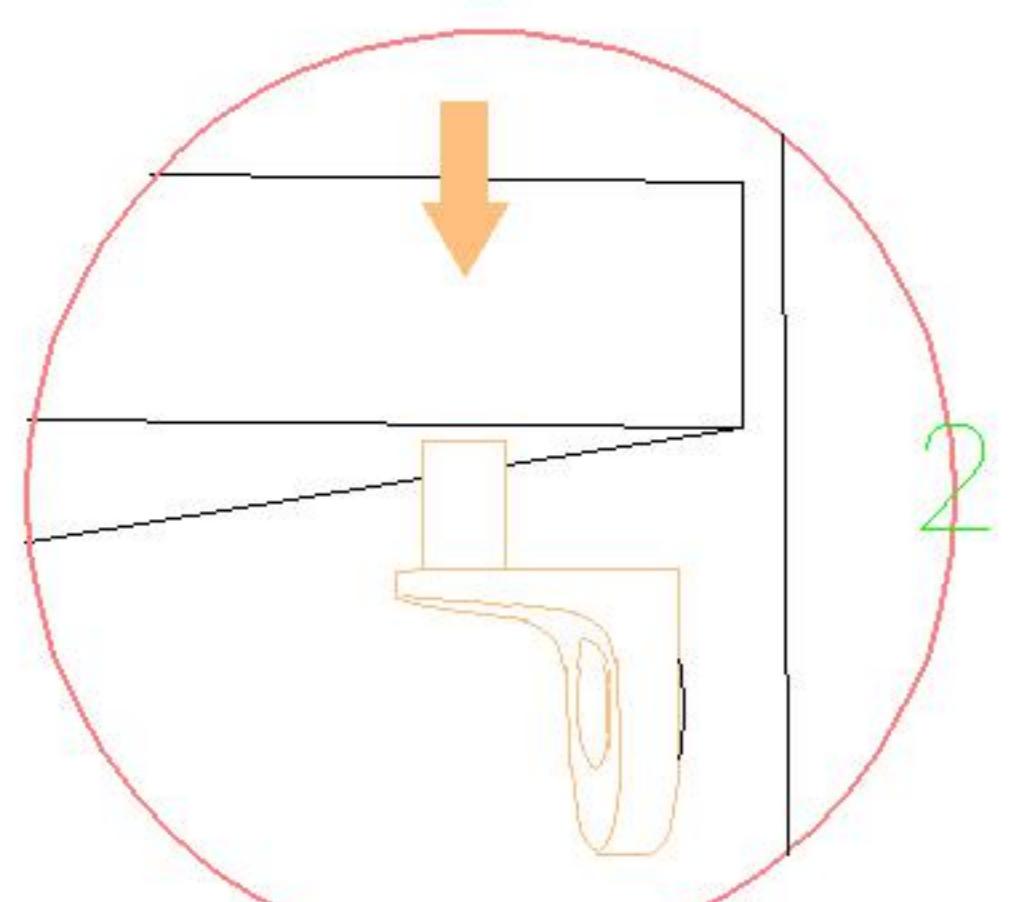
安装方法/
Installation method



大二合一
two-in-one



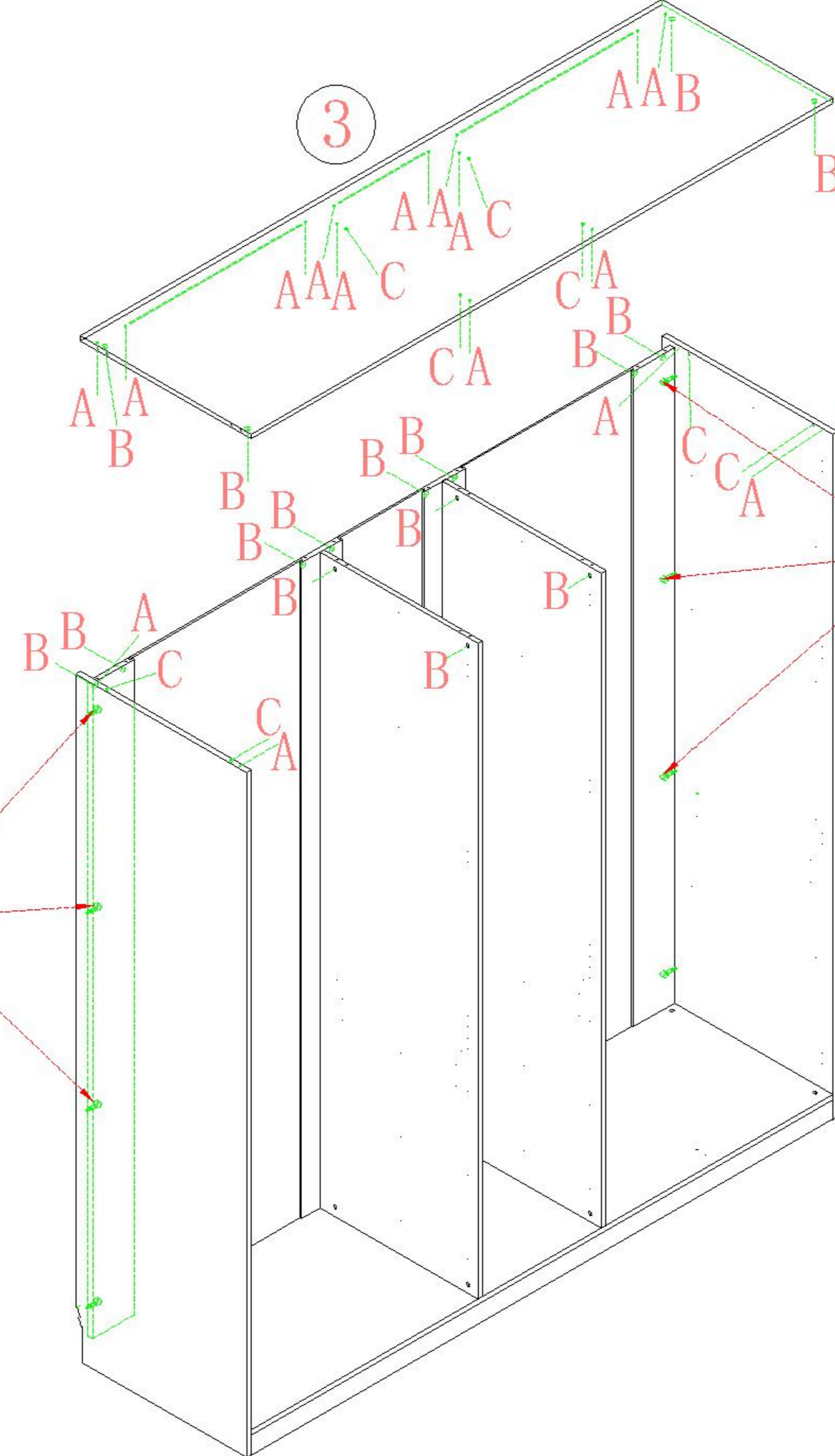
侧板
Side plate



层板托5mm
shelf support

- (A)*16
- (B)*16
- (C)*8

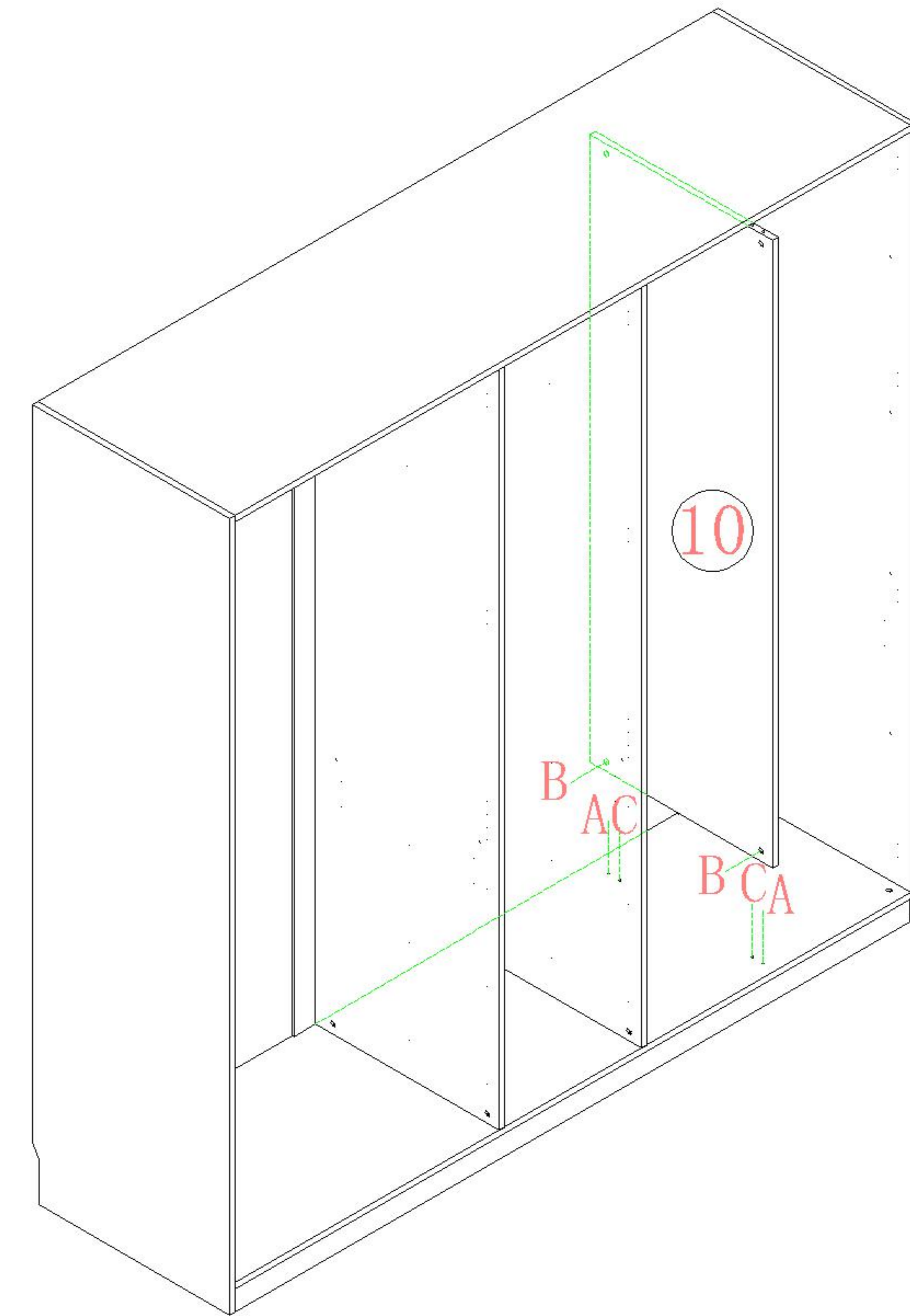
注：安装部件3时，
松开背面的锁块，
然后安装
Note: When
installing part
3, loosen the
lock block on
the back, and
then install



注：安装部件3时，
松开背面的锁块，
然后安装
Note: When
installing part
3, loosen the
lock block on
the back, and
then install

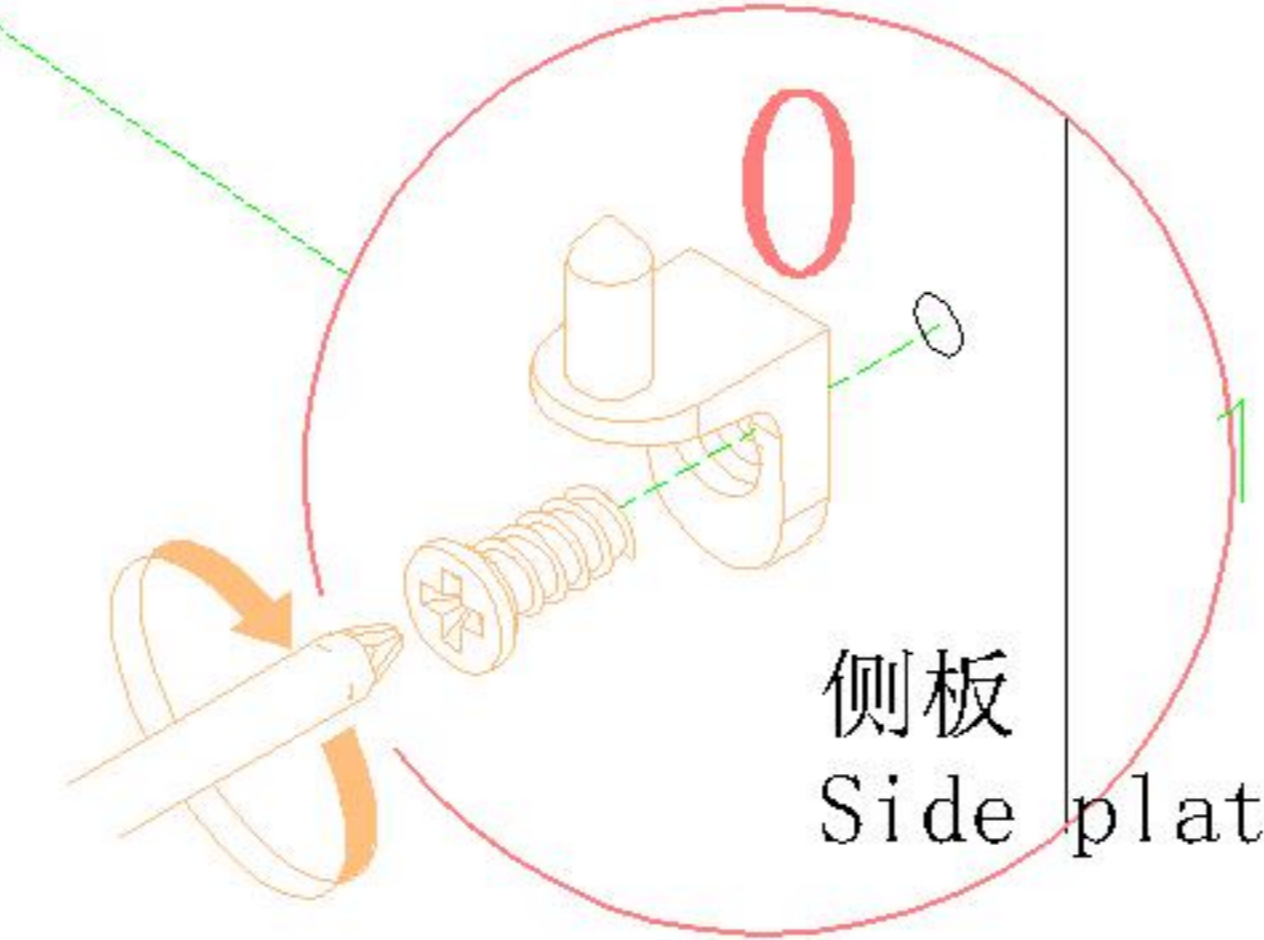
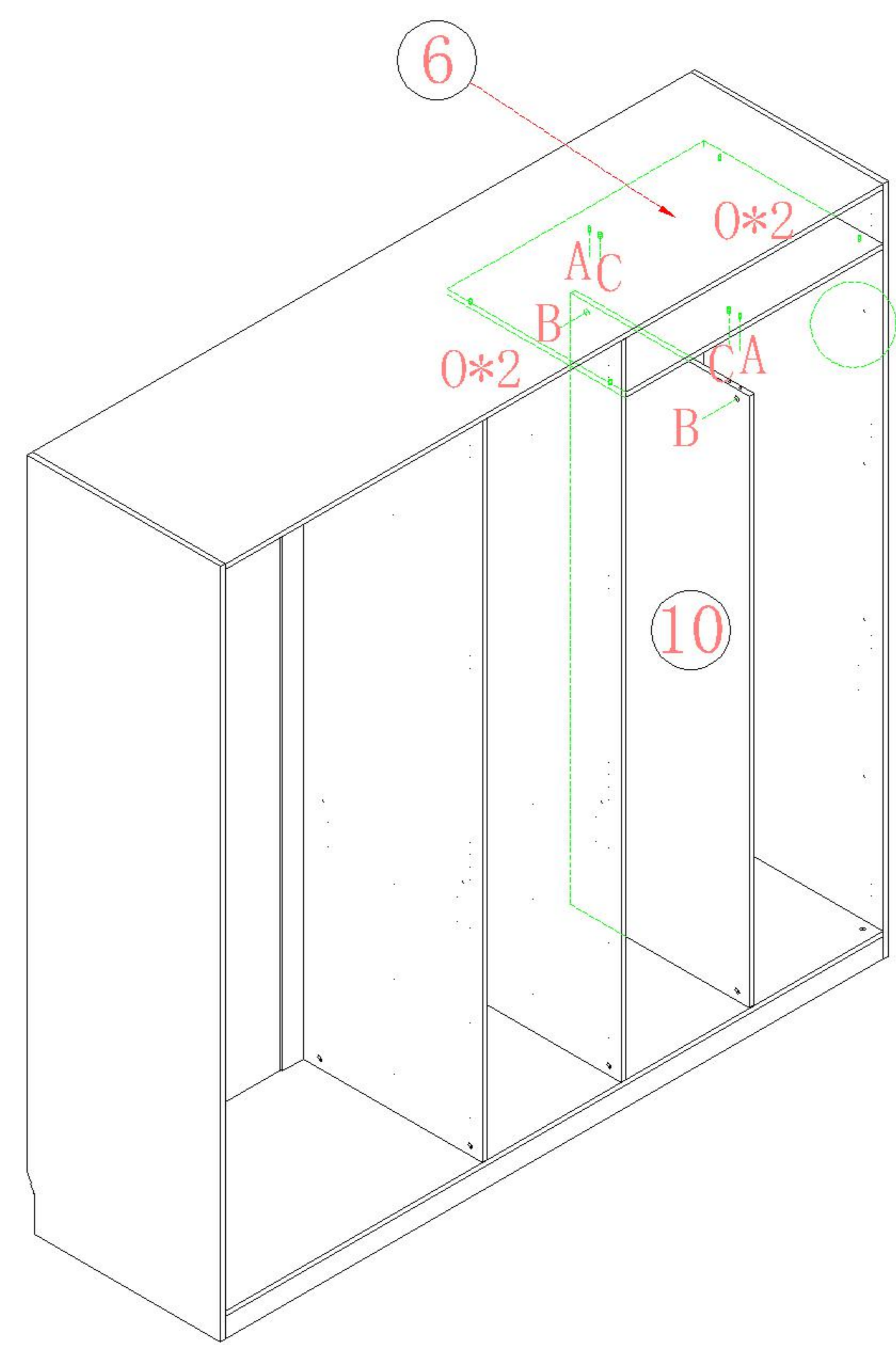
13

- (A)*2
- (B)*2
- (C)*2



14

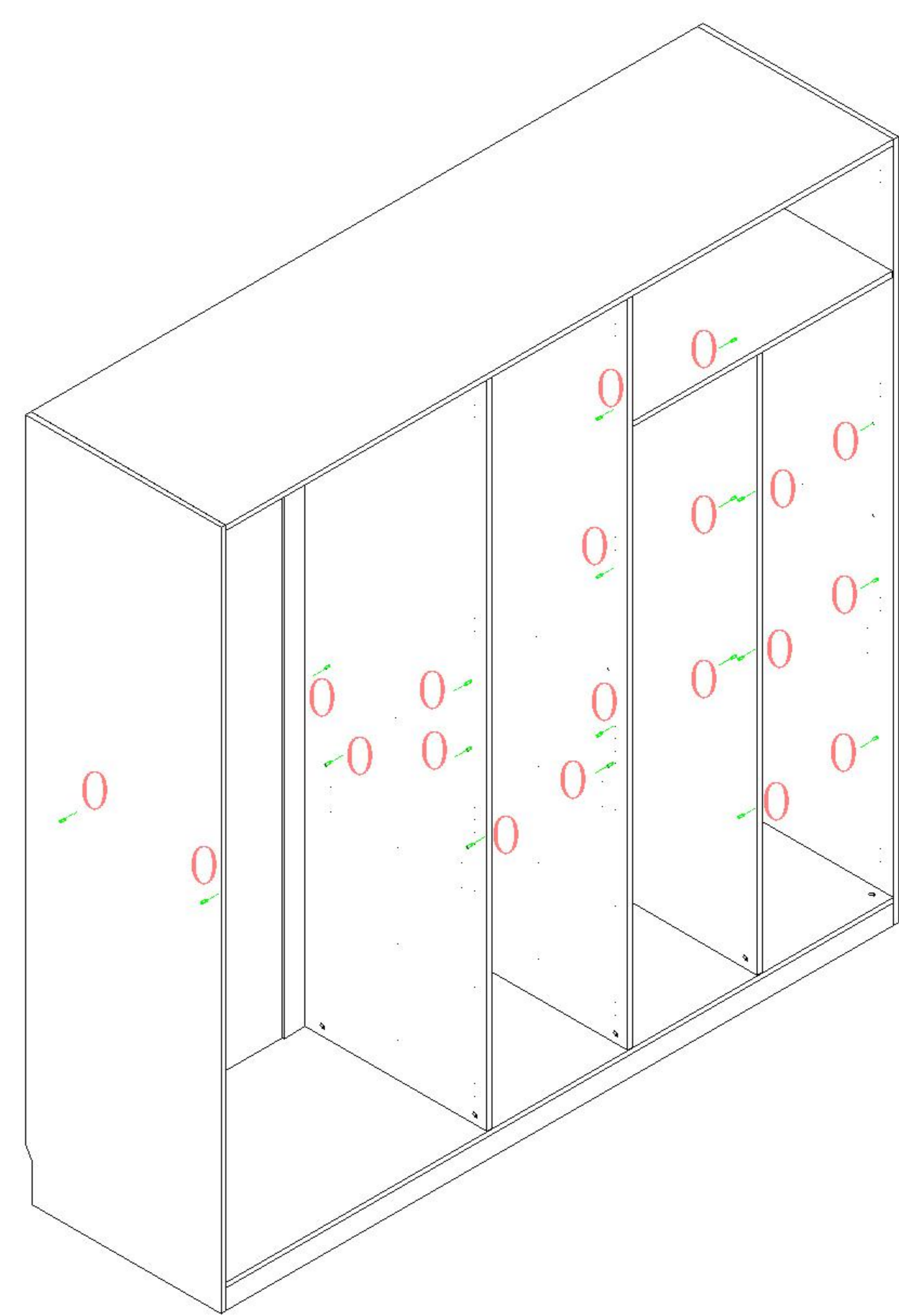
- (A)*2
- (B)*2
- (C)*2
- (O)*4



侧板
Side plate

15

- (O)*20



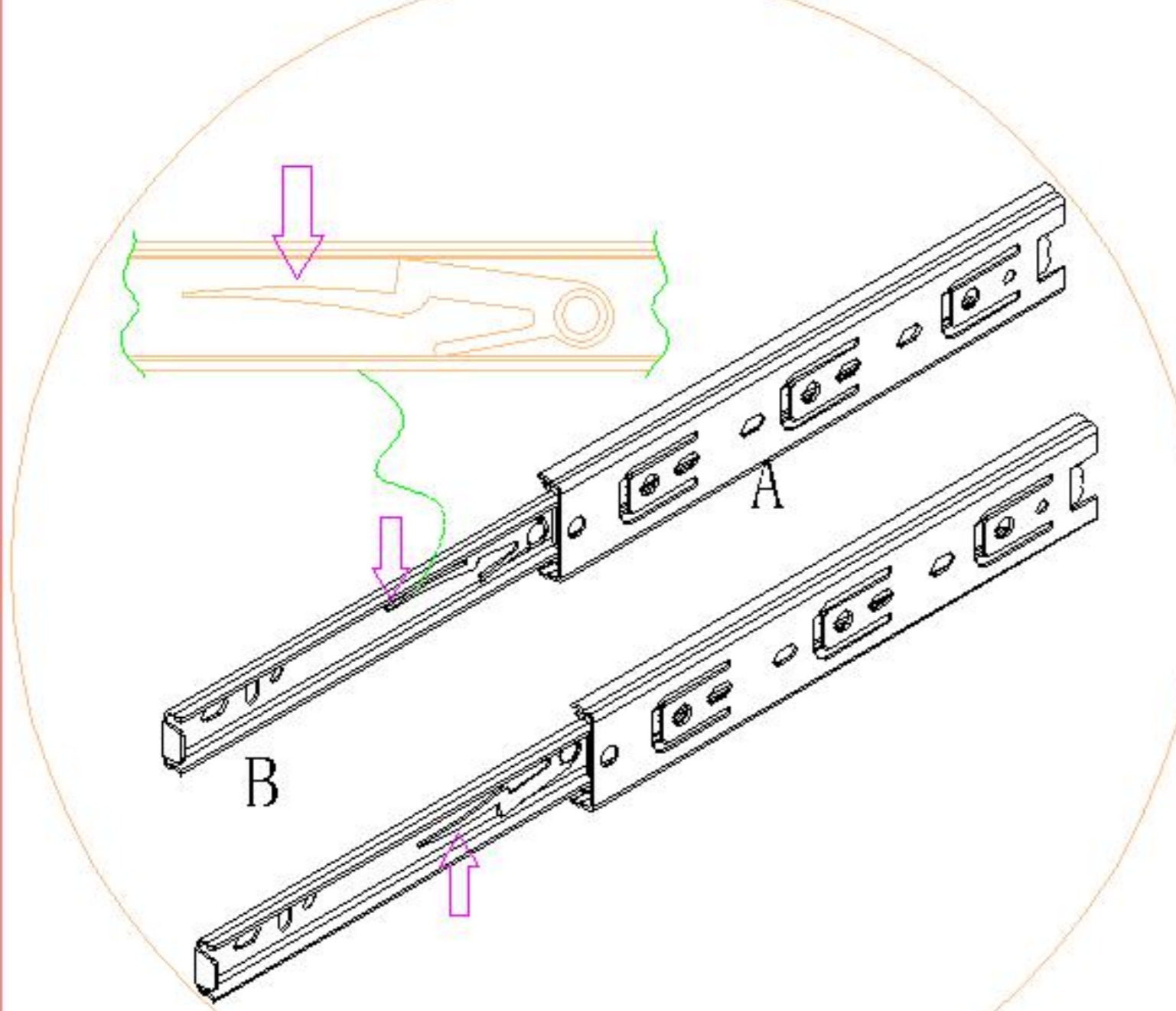
16

TE11D-A

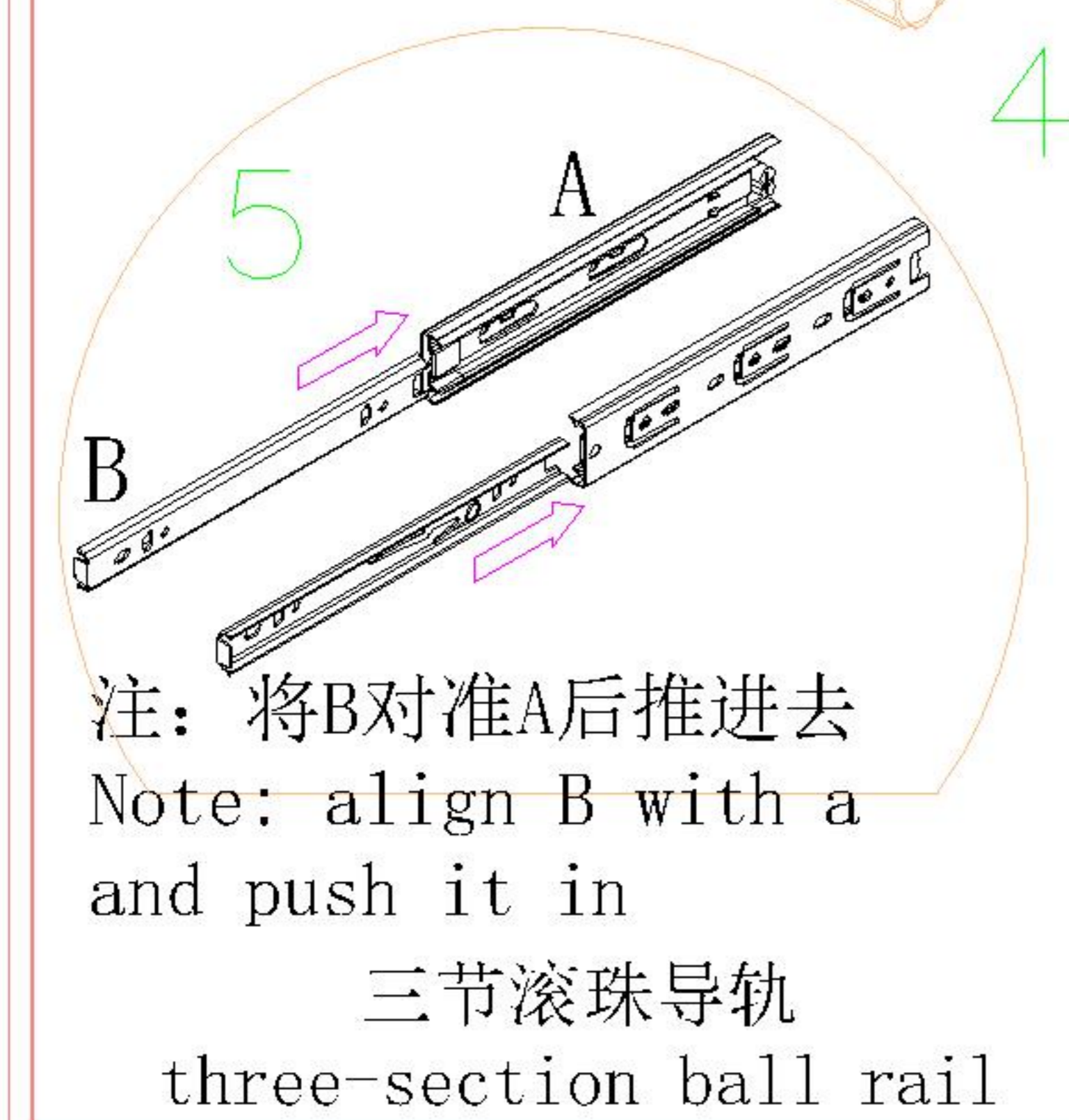
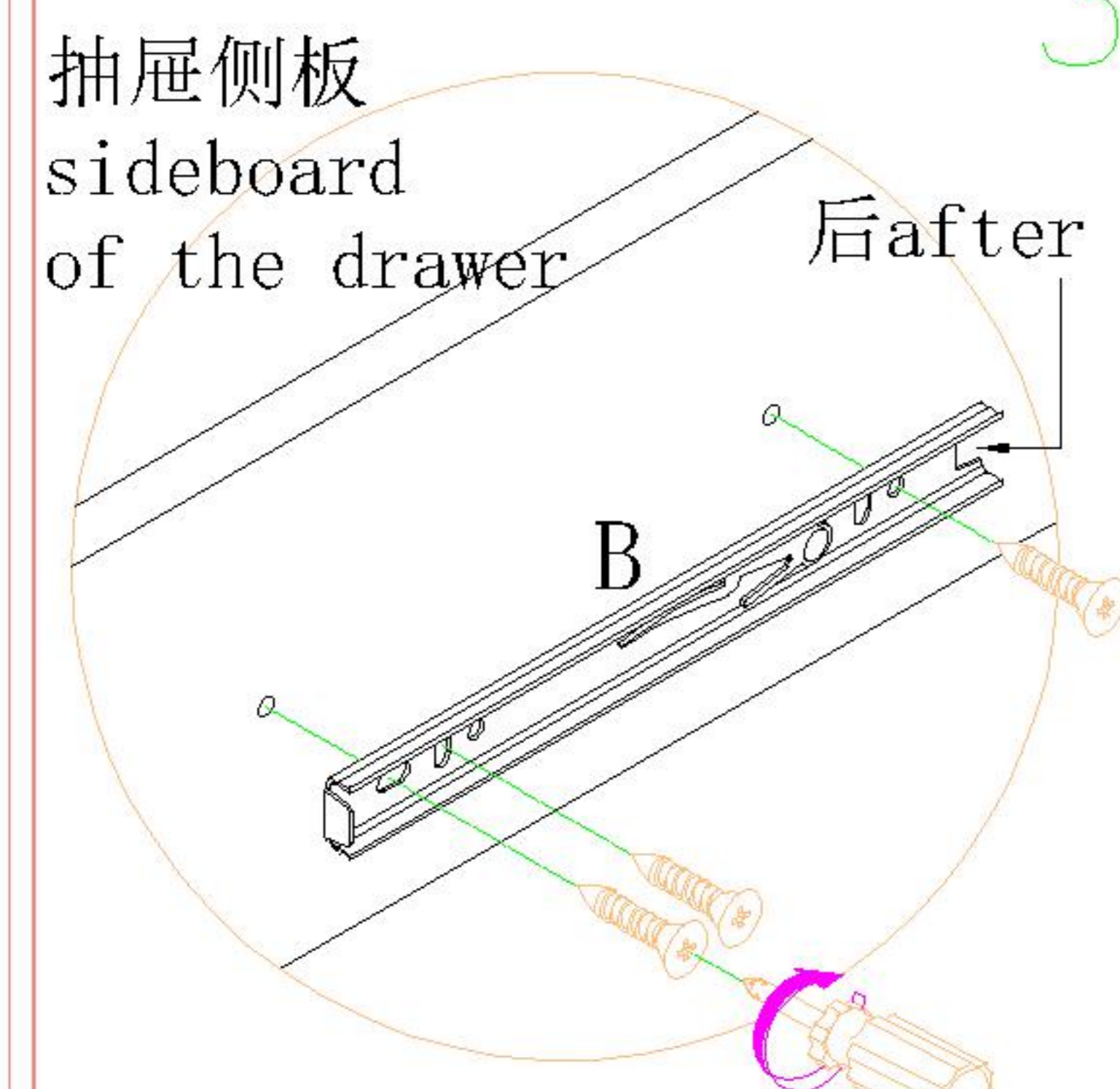
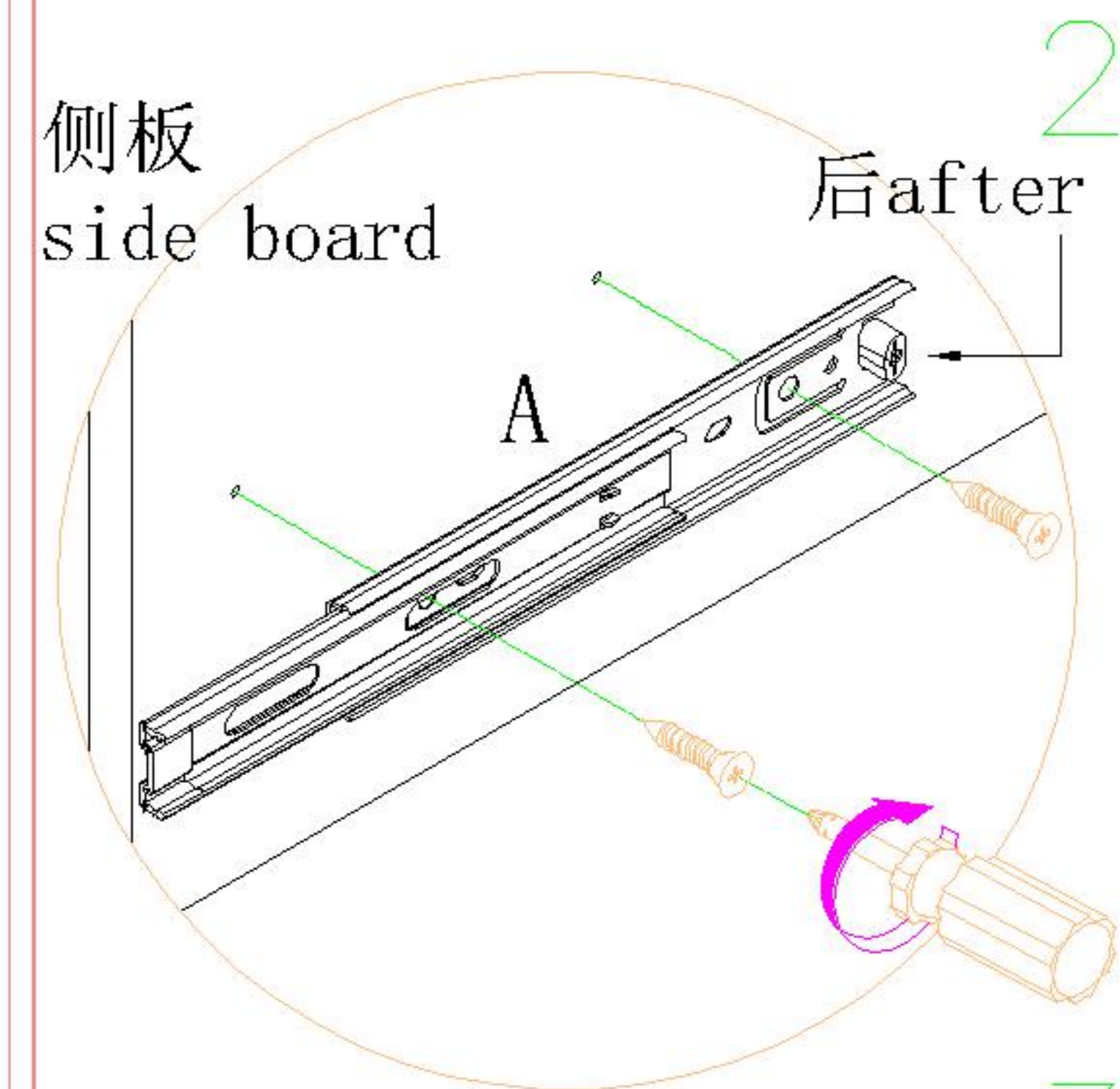
安装方法/ Installation method

阀门开关(下压为开)
Valve switch
(press down to open)

1

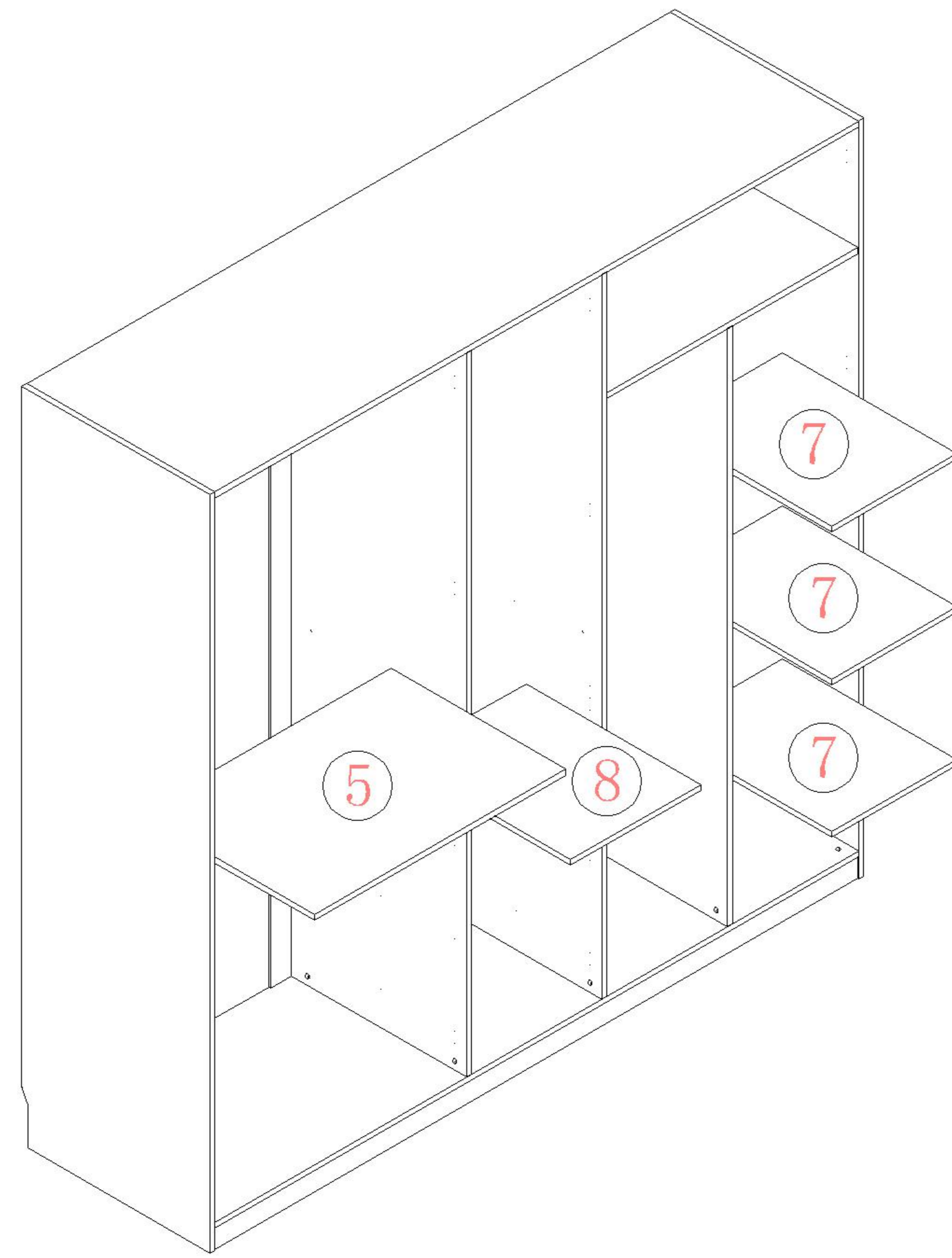


注: 先将A与B拆下来
Note: remove a and B first



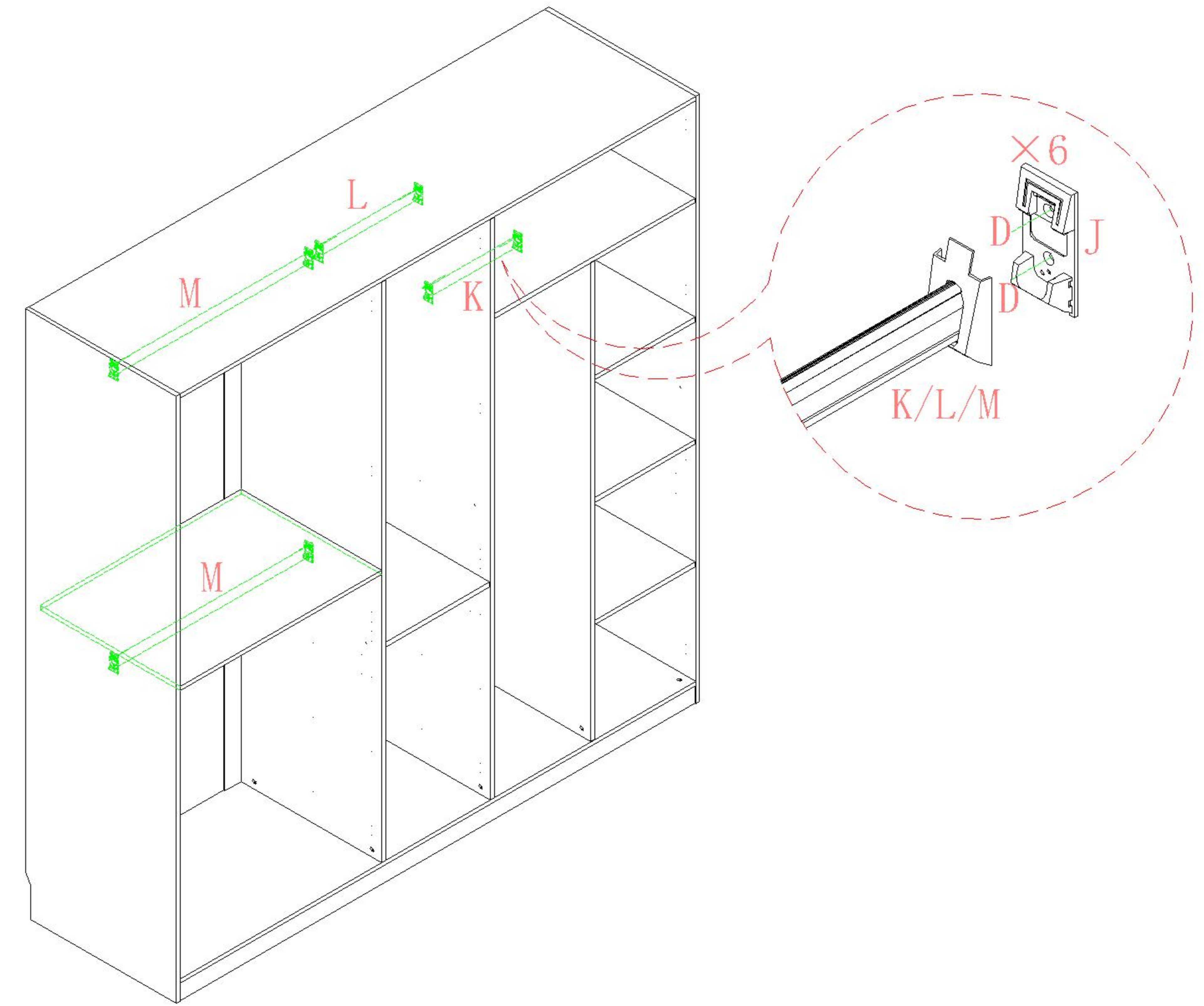
注: 将B对准A后推进去
Note: align B with a
and push it in

三节滚珠导轨
three-section ball rail

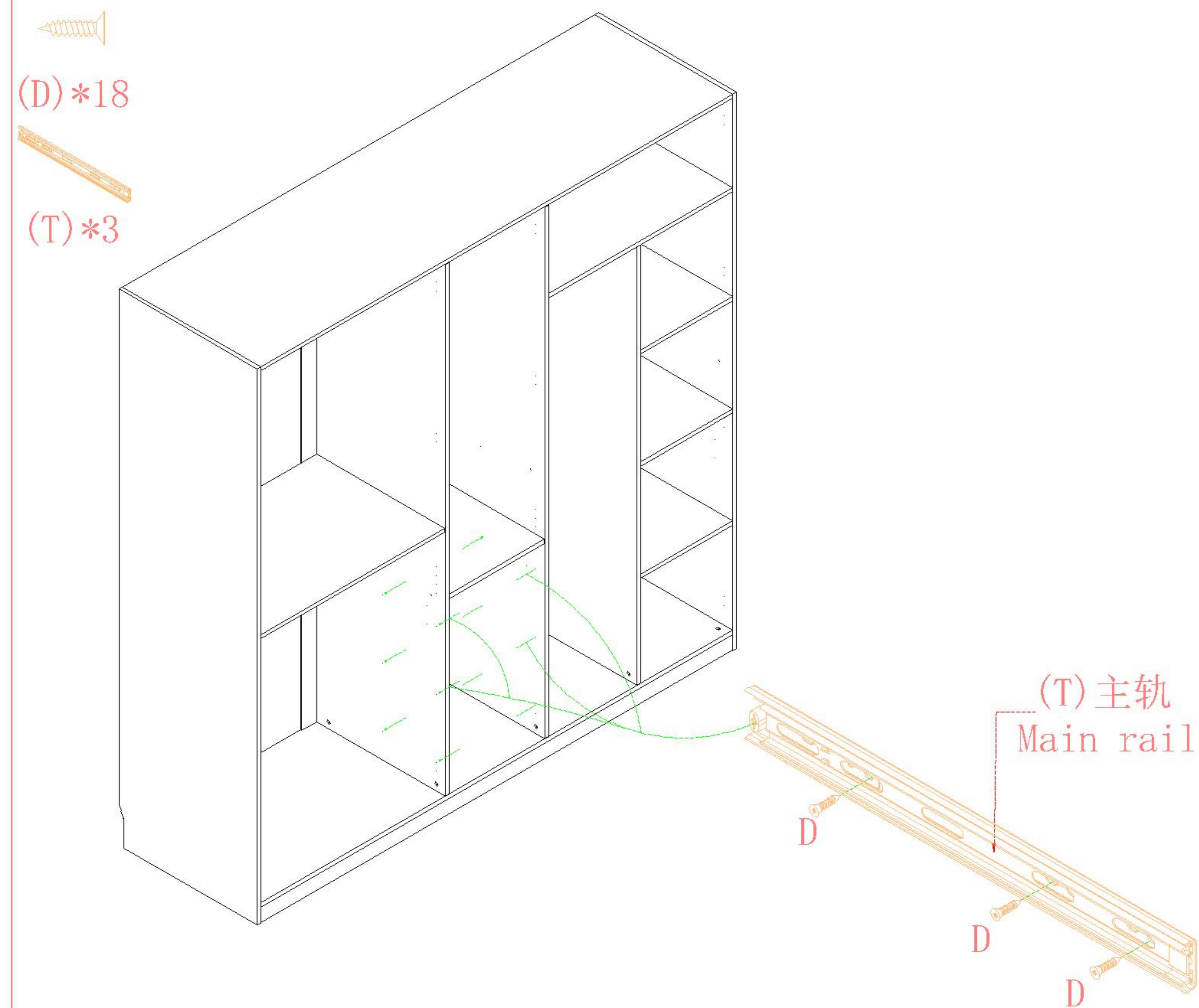


17

- (D)*16
- (J)*8
- (K)*1
- (L)*1
- (M)*2

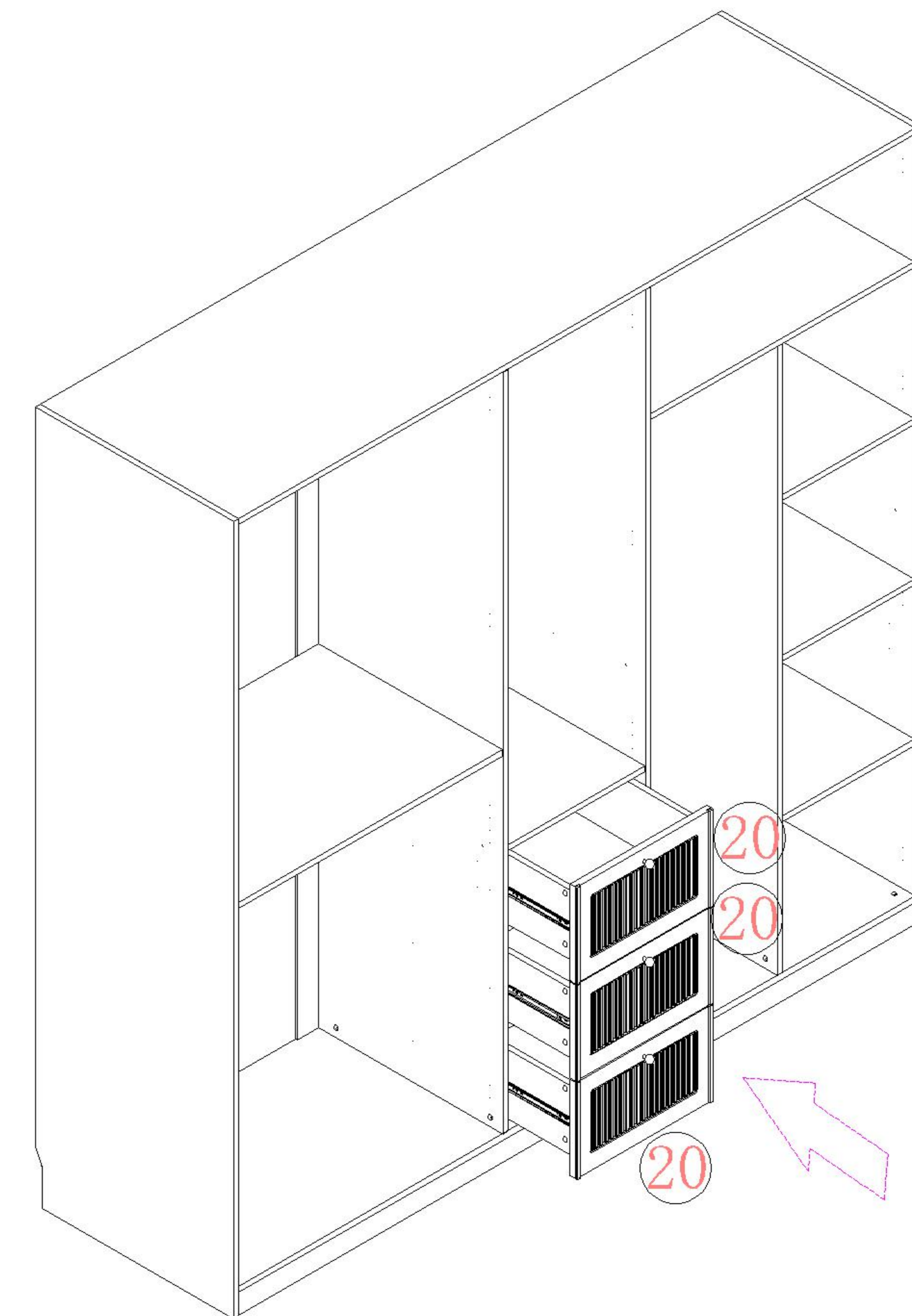


18



19

(T) 主轨
Main rail

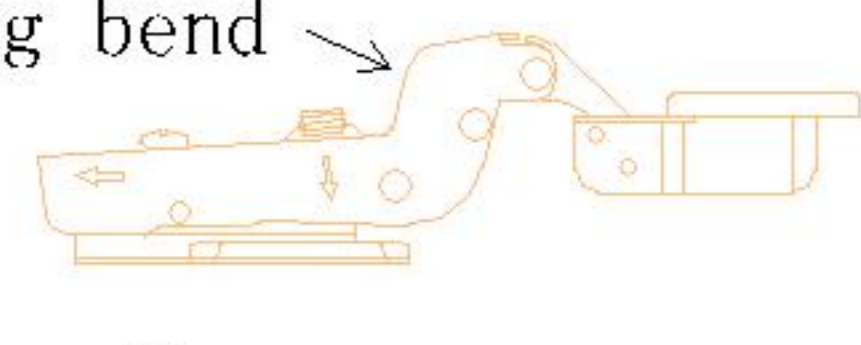


20

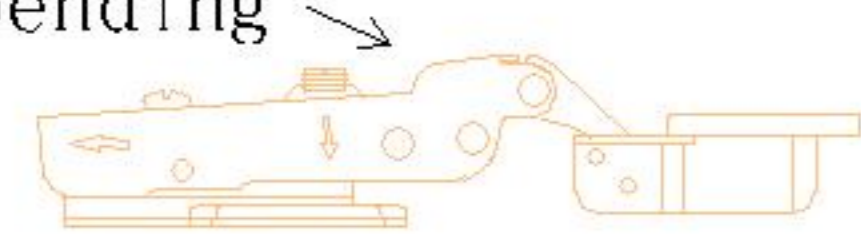
TE11D-A

安装方法/ Installation method

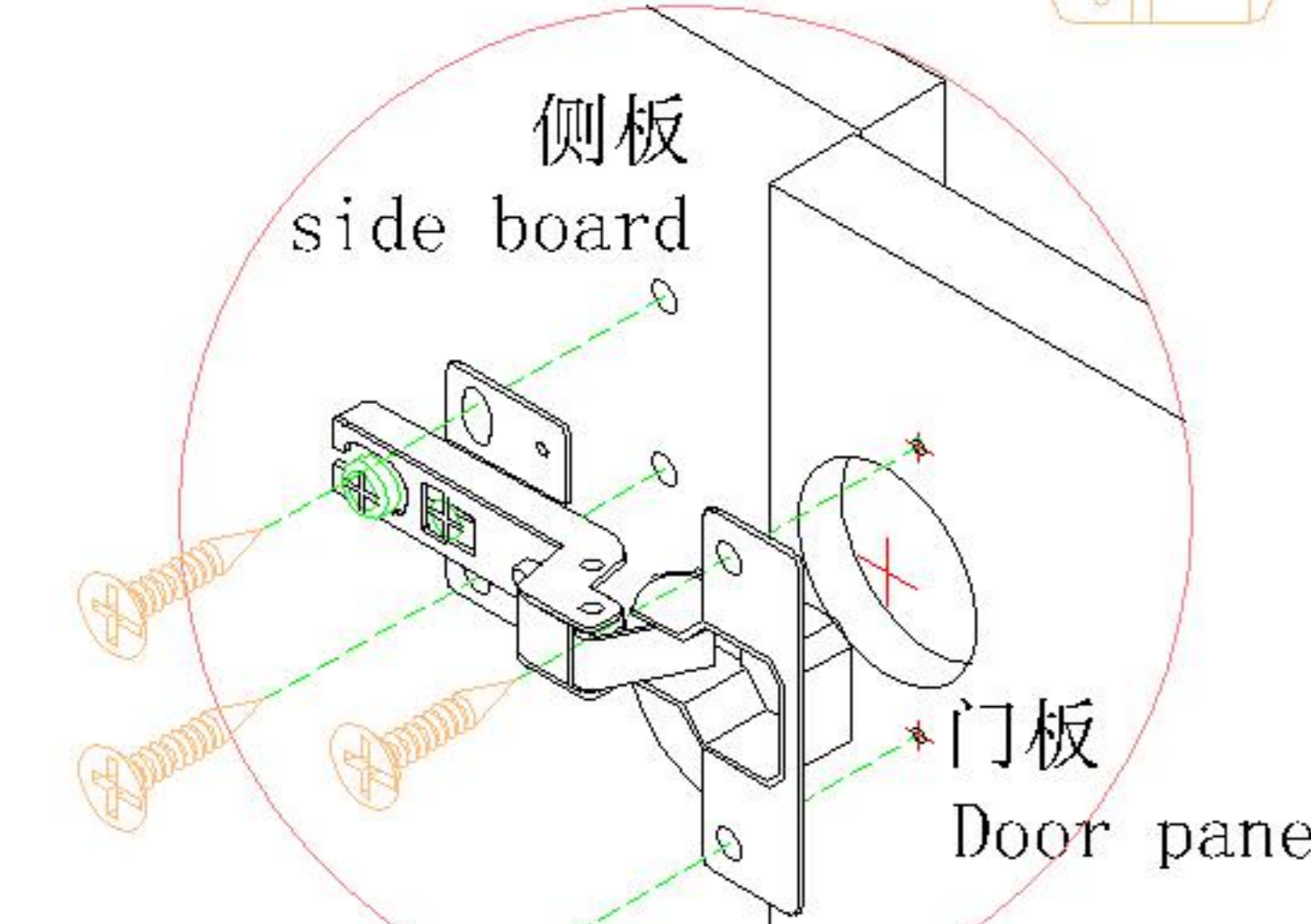
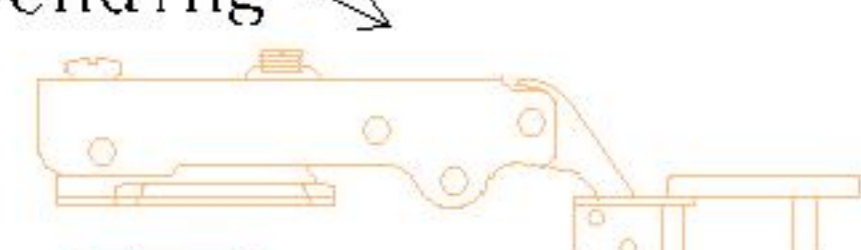
大弯big bend



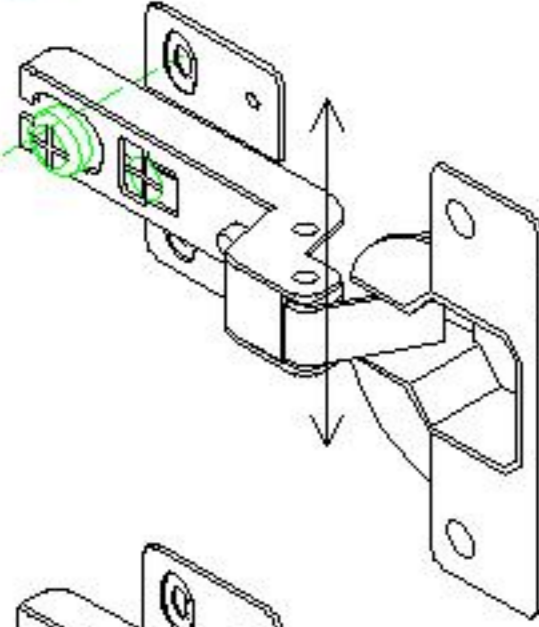
中弯middle bending



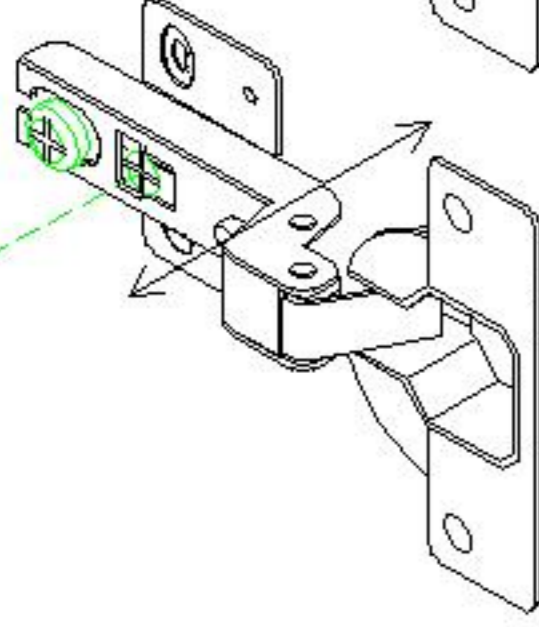
直弯straight bending



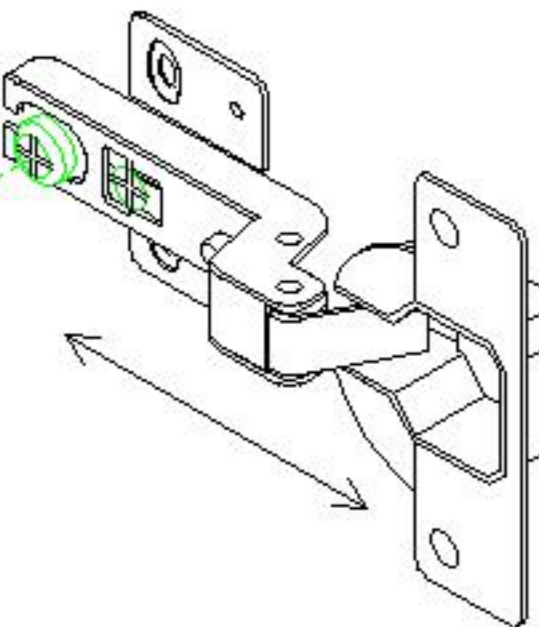
调节上下
Adjust up and down



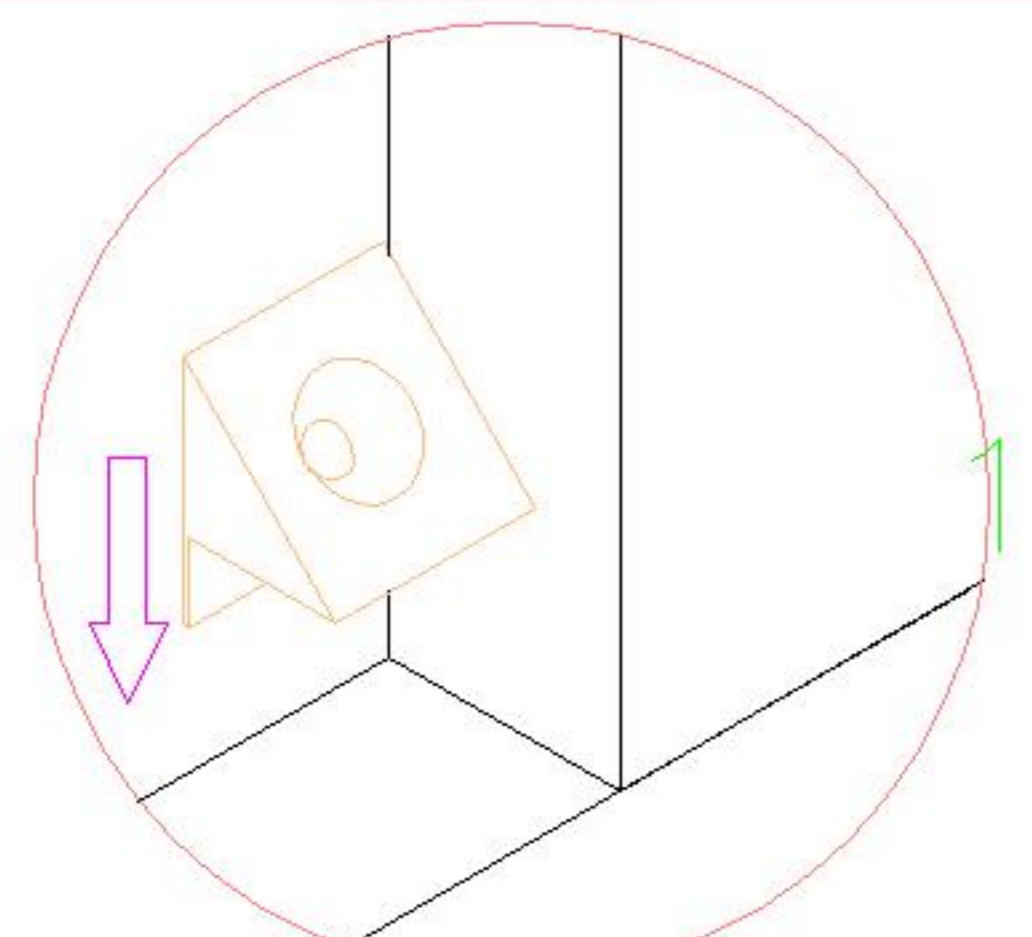
调节左右
Adjust left and right



调节前后
Before and after adjustment



门铰
Hinge



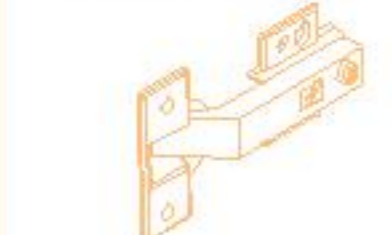
背板扣
Back Plate Buckle-White



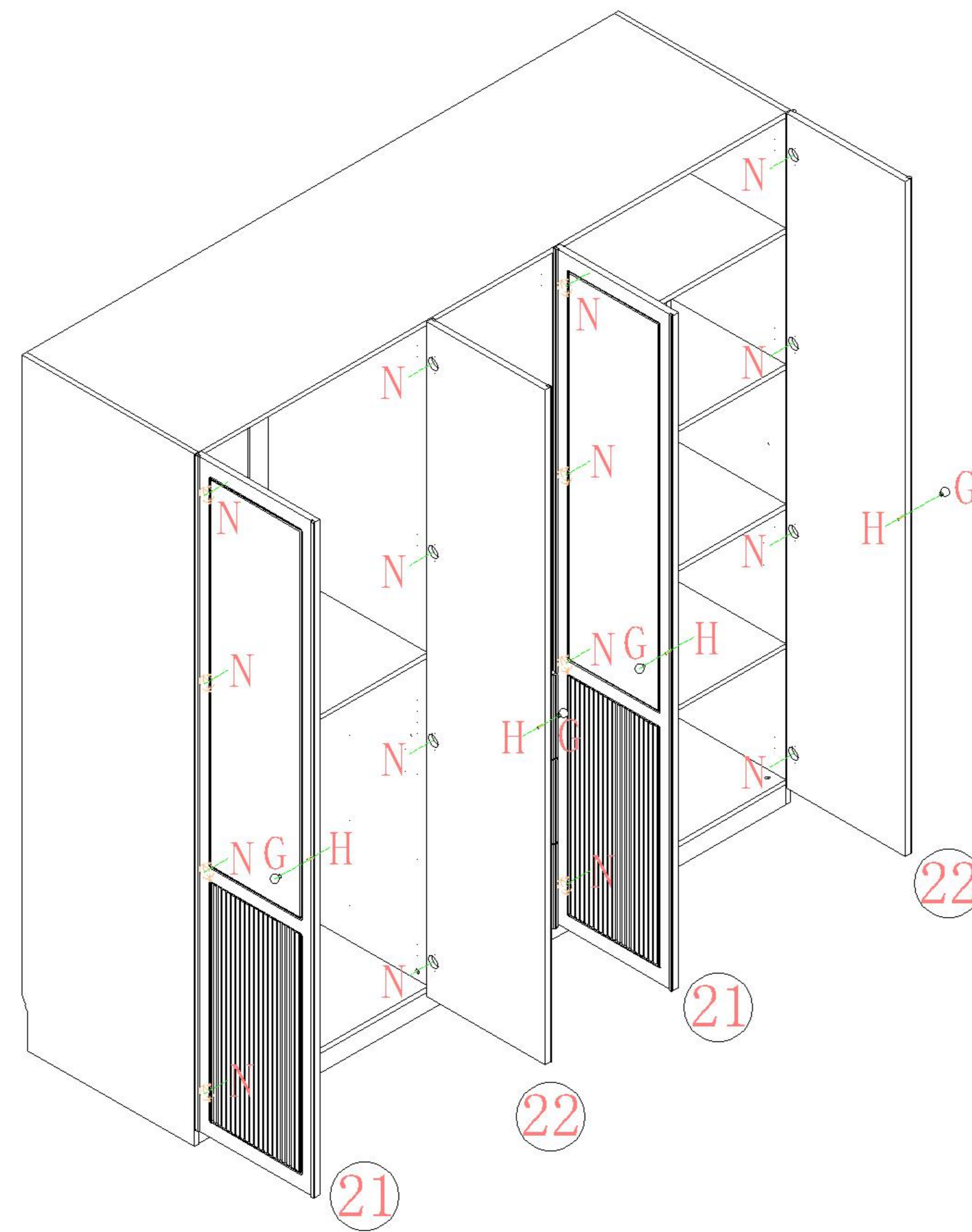
(G)*4



(H)*4



(N)*16



21



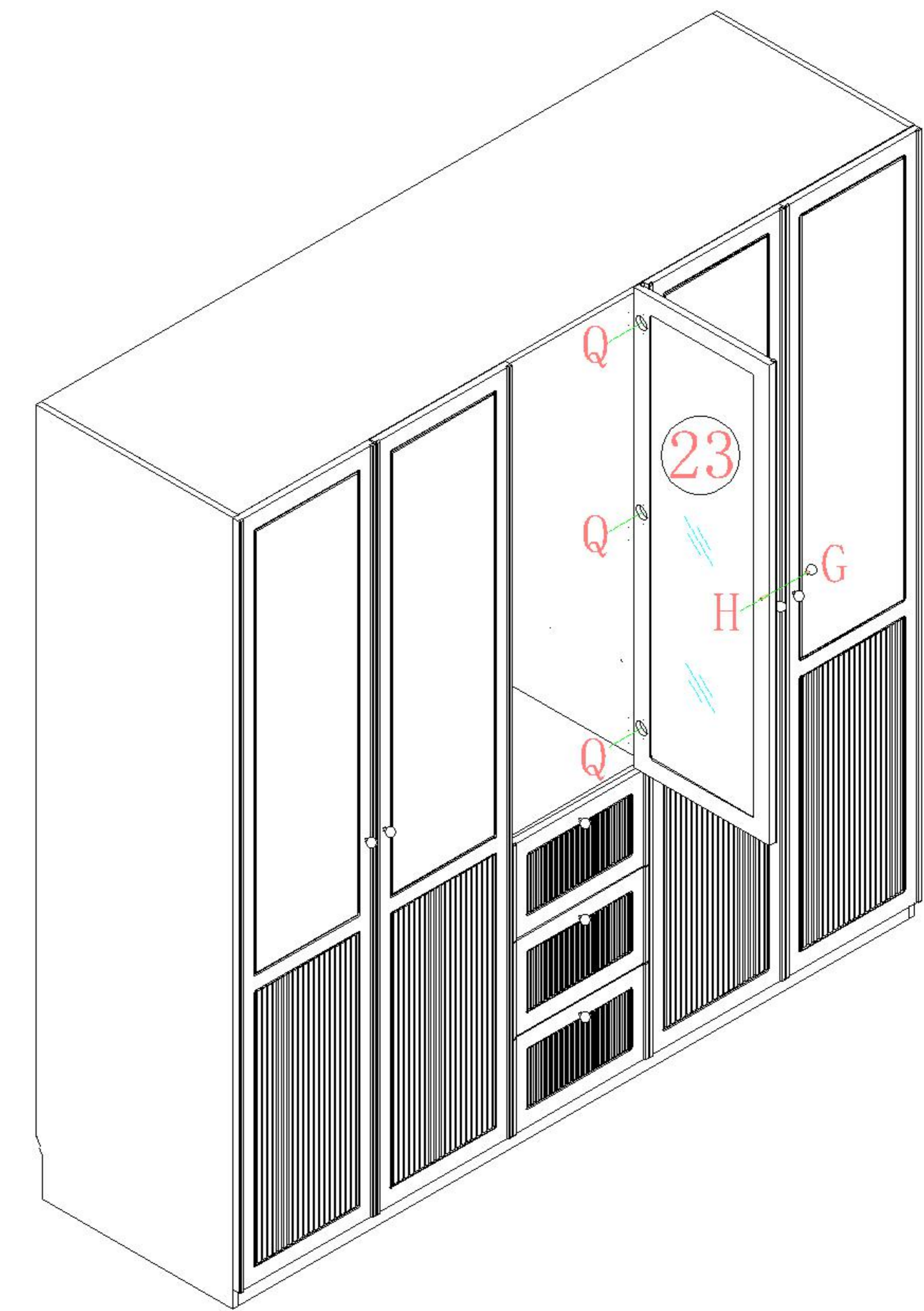
(G)*1



(H)*1

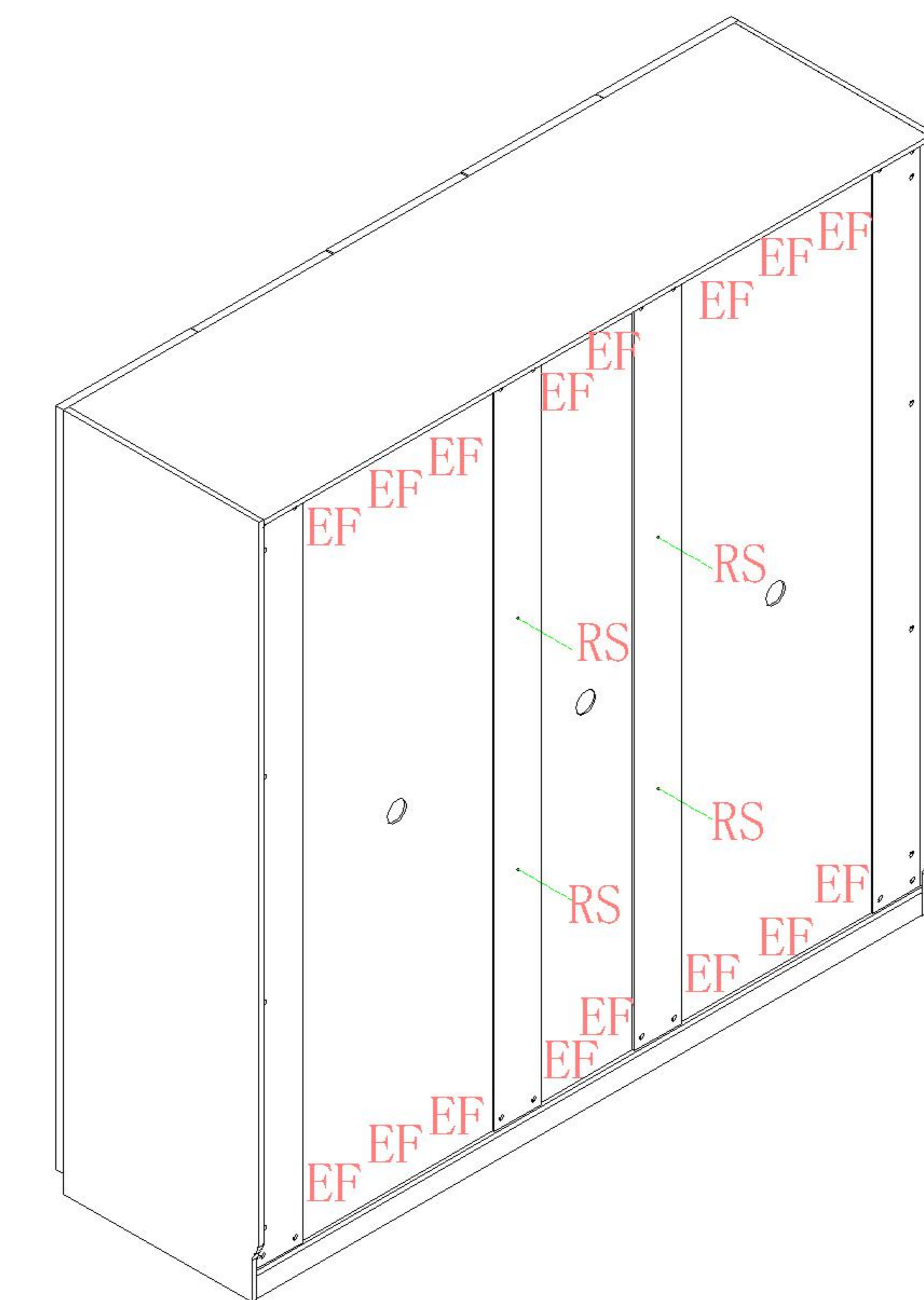


(Q)*3



22

23



24

(E)*16

(F)*16

(R)*4

(S)*1