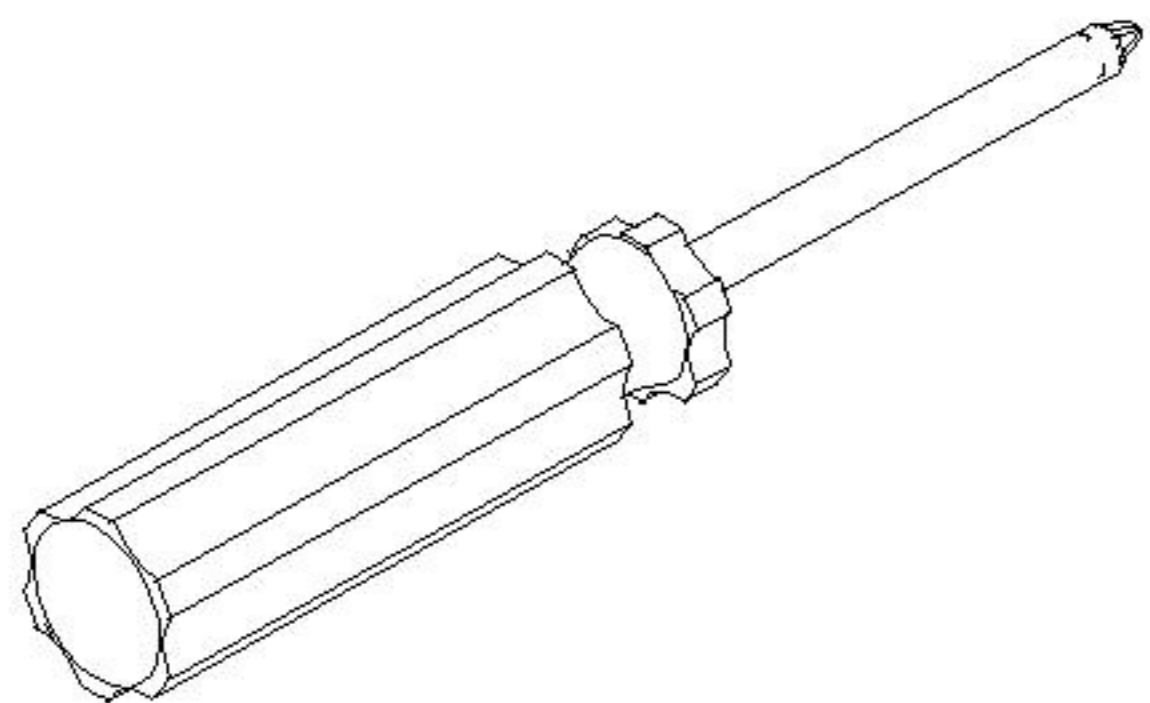
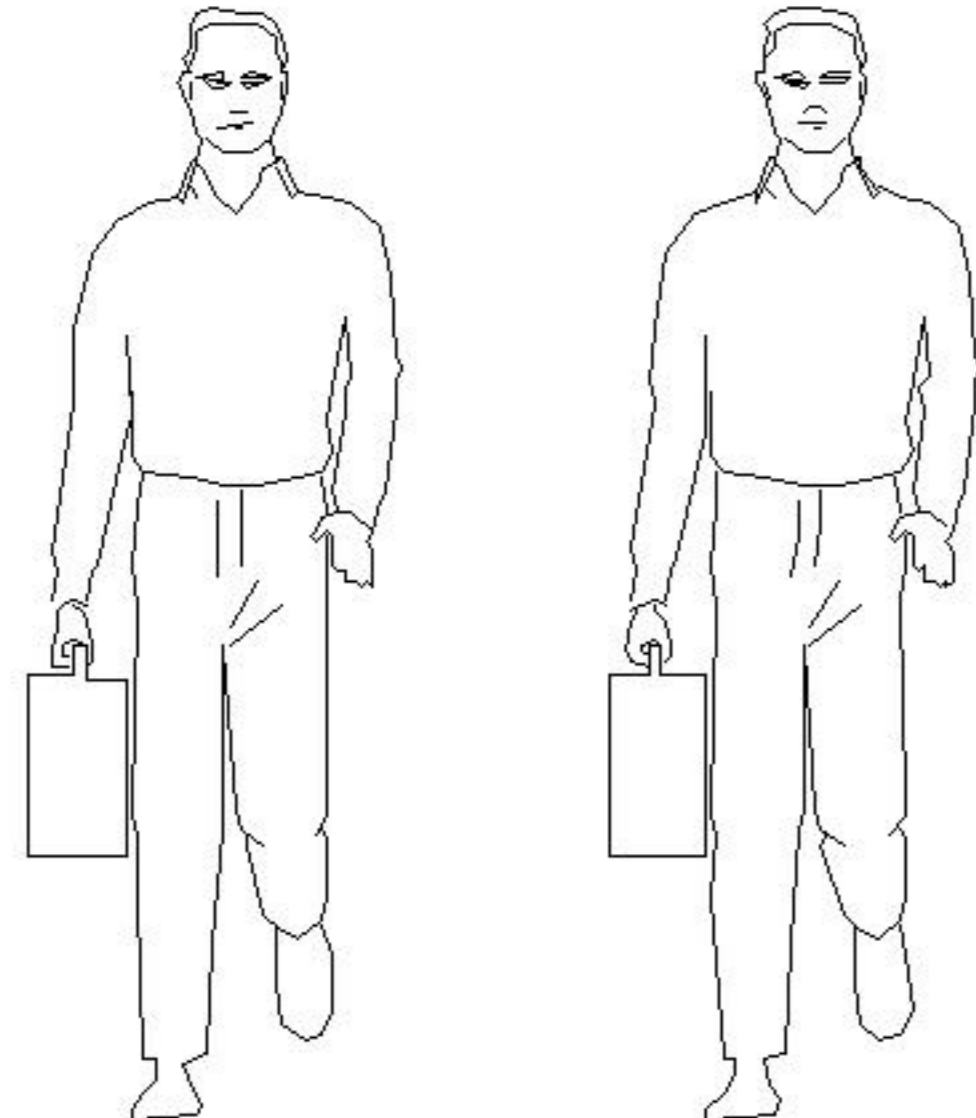
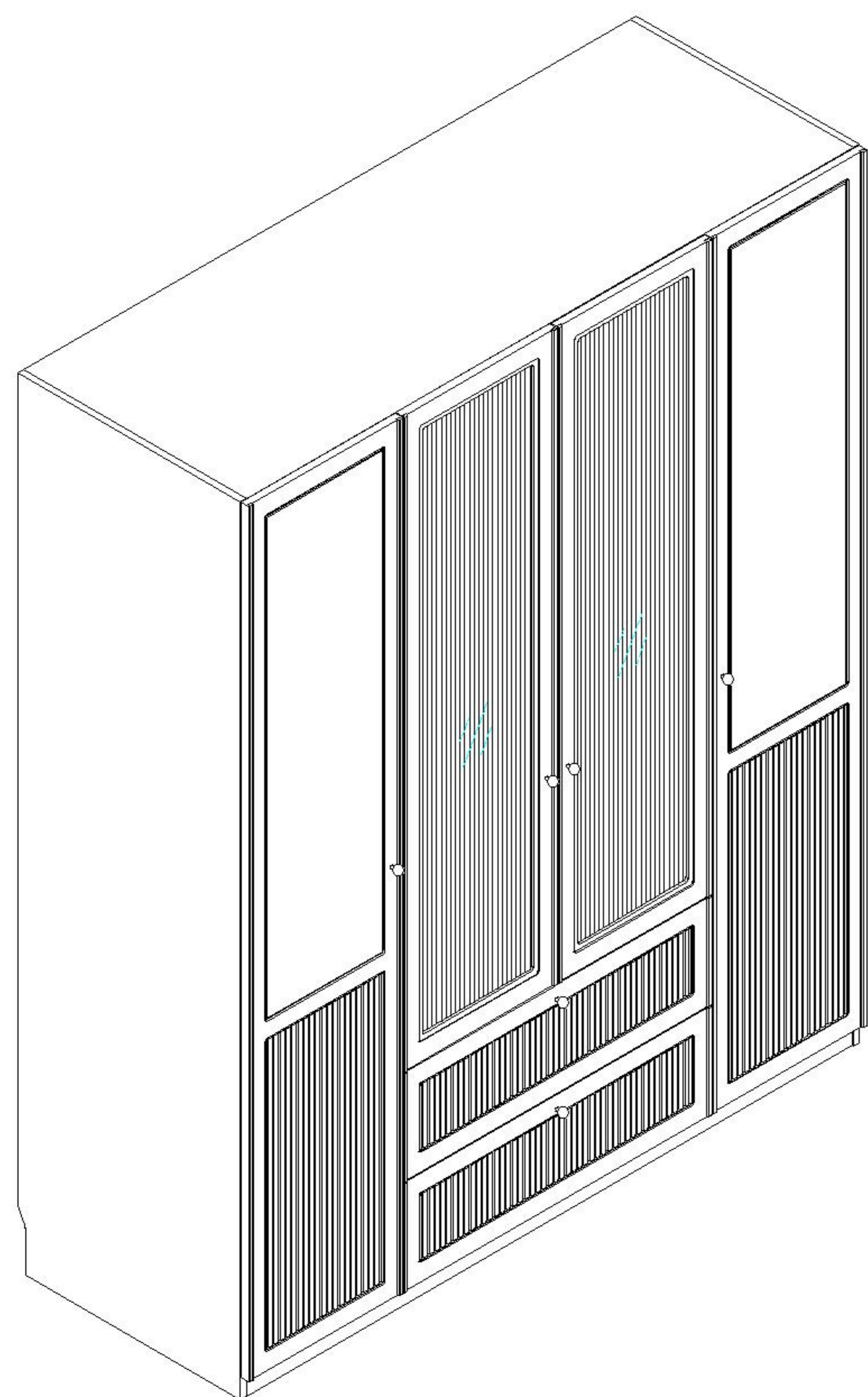


### 安装示意图/Assembly Instruction

产品名称 Model NO.	TE10D-A
产品规格 Specification	1592*620.5*2003mm
安装工具 Tool	安装人数 Installer
	



注：安装至少需要2人

Note: 2 persons are required at least for installation

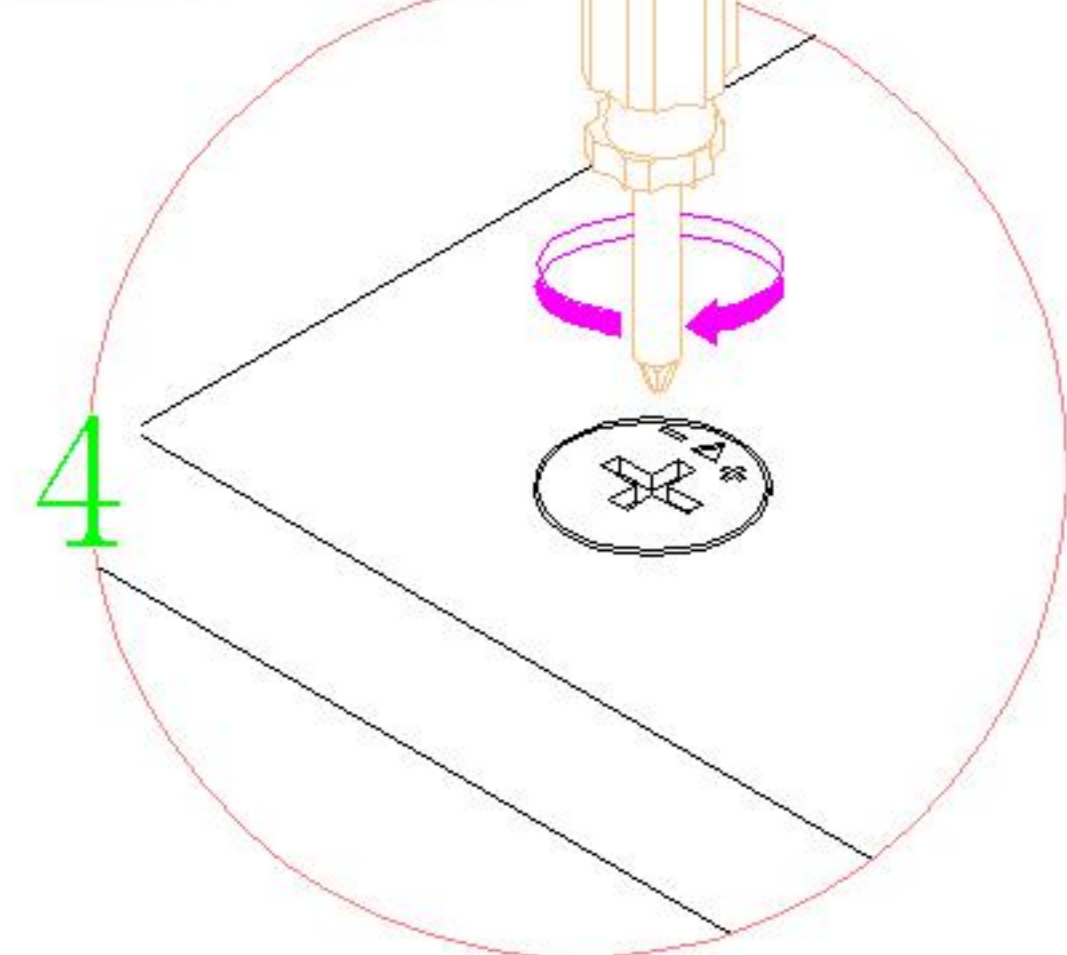
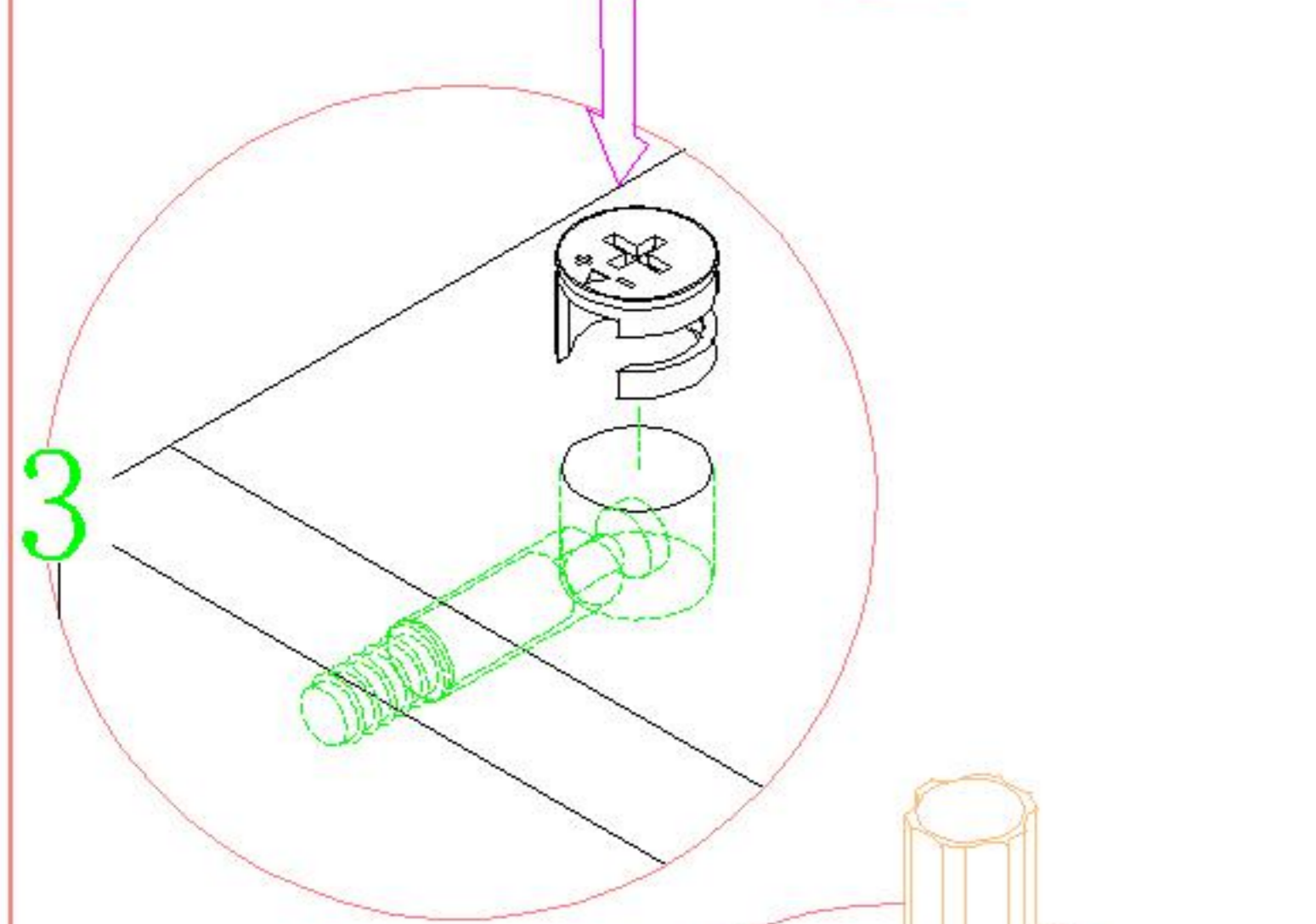
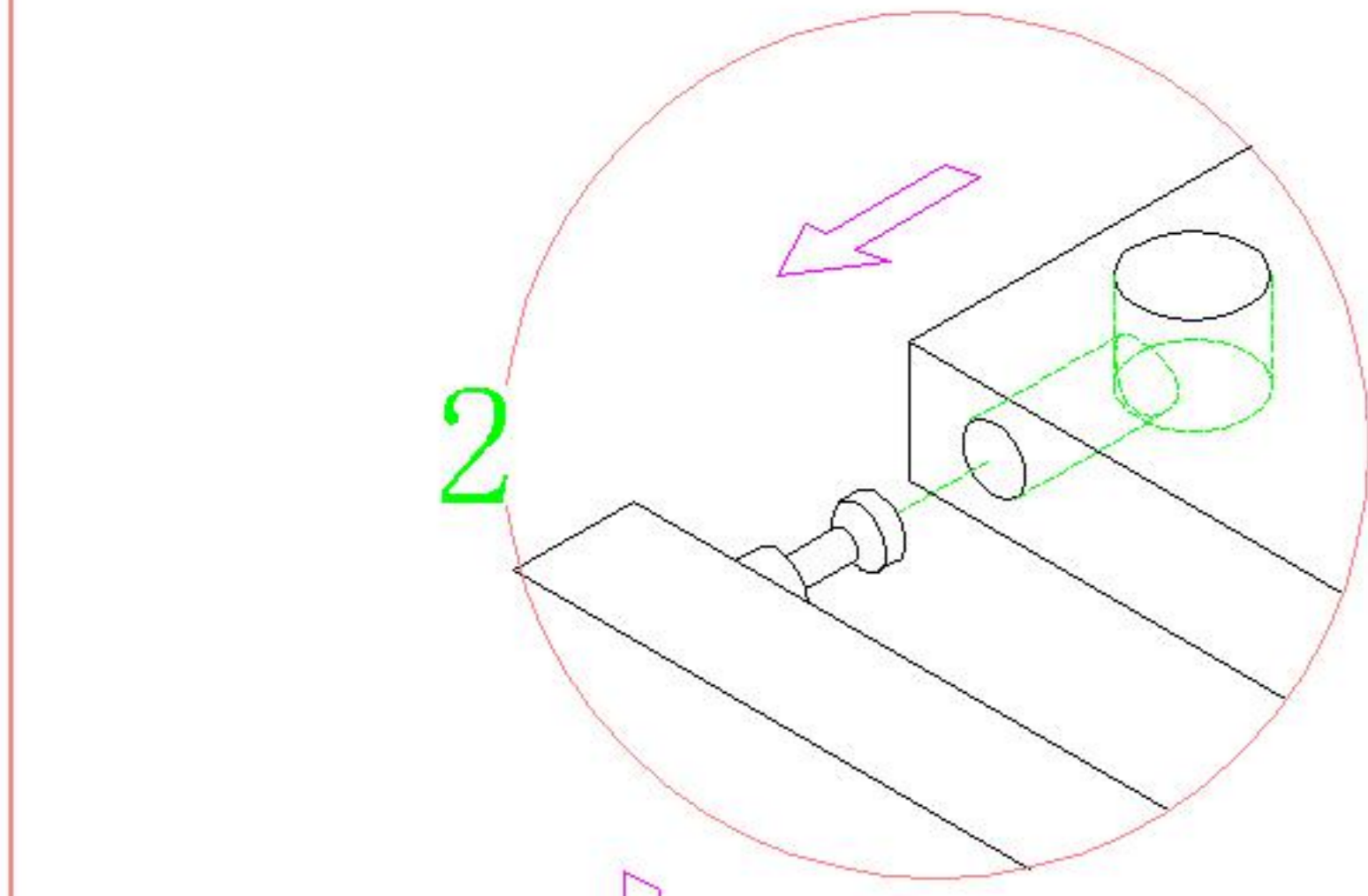
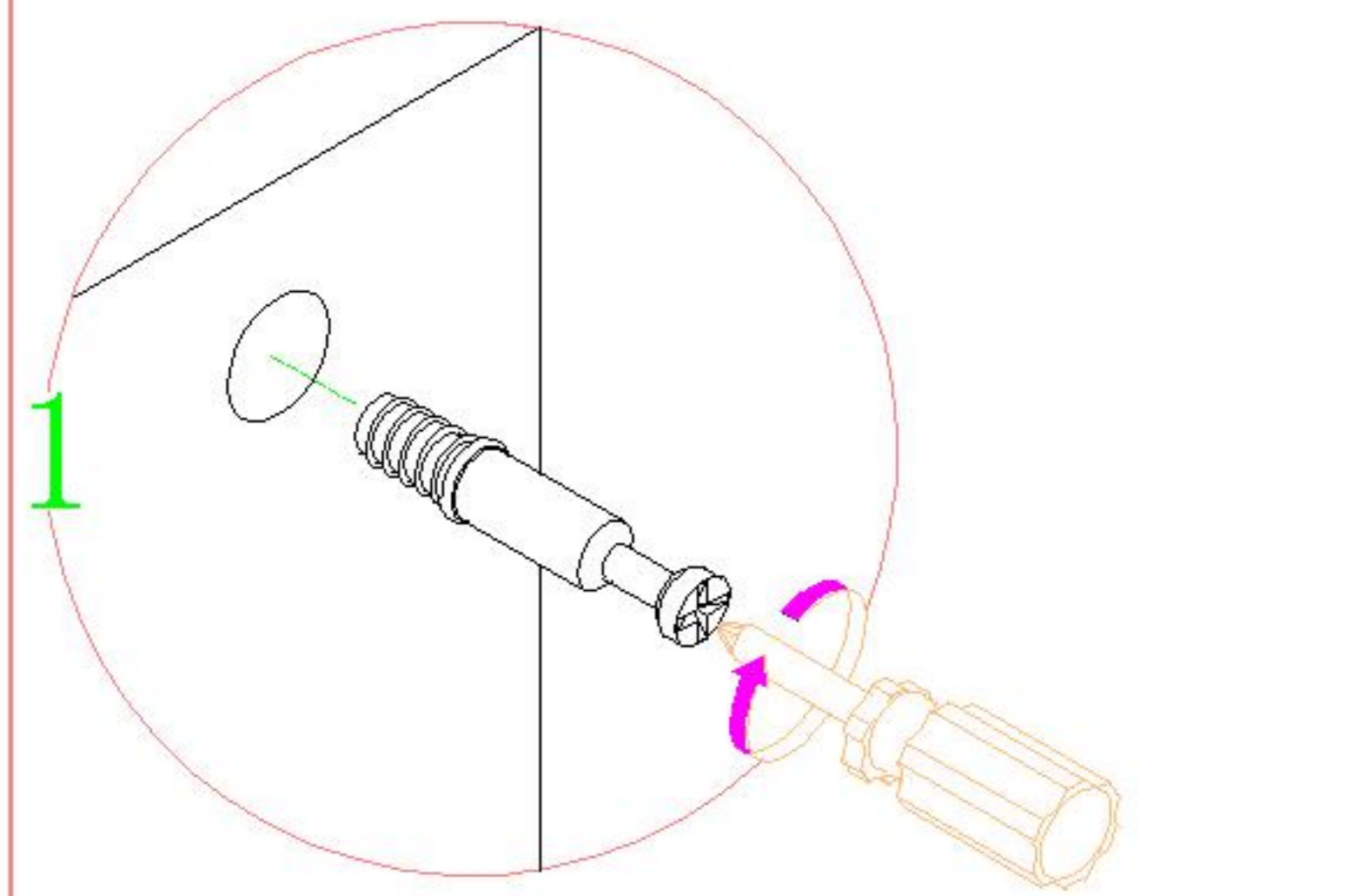
编号NO.	名称Name	规格 (mm) Specification	数量QTY	材质Material
①	右侧板Side board(R)	2000*574*15	1	人造板 WBP
②	左侧板Side board(L)	2000*574*15	1	人造板 WBP
③	顶板Top board	1562*574*15	1	人造板 WBP
④	底板Bottom board	1562*554*15	1	人造板 WBP
⑤	大层板Big shelf	765*532*15	2	人造板 WBP
⑥	活动层板Movable shelf	382*532*15	2	人造板 WBP
⑦	固定层板Fixed shelf	382*532*15	1	人造板 WBP
⑧	中侧板Middle side board	1912*534*15	2	人造板 WBP
⑨	边背拉条Side back brace	1912*140*15	2	人造板 WBP
⑩	背拉条Back brace	1912*217*15	2	人造板 WBP
⑪	大背板Big backboard	1922*575*5	1	人造板 WBP
⑫	小背板Small backboard	1922*152*5	2	人造板 WBP
⑬	长脚条Long foot slat	1562*58*15	2	人造板 WBP
⑭	中脚条Middle foot strip	522*58*15	2	人造板 WBP
⑮	抽屉侧板Drawer's sideboard	395*142*15	4	人造板 WBP
⑯	抽屉后板Drawer's Back board	740*142*15	2	人造板 WBP
⑰	抽屉底板Drawer's Bottom board	720*405*5	2	人造板 WBP
⑱	抽屉底托条Drawer's bottom bracket	395*58*15	2	人造板 WBP
⑲	抽屉面板Drawer's top panel	794*242*22	2	吸塑板Blister board
⑳	左门板Door board(L)	1950*396*22	1	吸塑板Blister board
㉑	右门板Door board(R)	1950*396*22	1	吸塑板Blister board
㉒	左中门板组立Left middle door panel assembly	1460*396*22	1	吸塑板+玻璃Blister board+Glass
㉓	右中门板组立Right middle door panel assembly	1460*396*22	1	吸塑板+玻璃Blister board+Glass

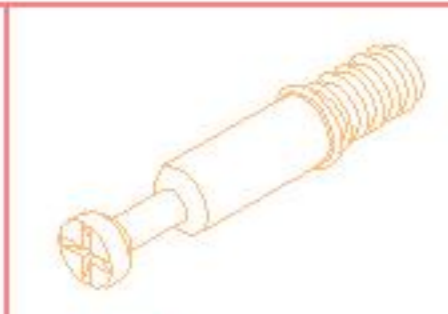
 <b>(A)* 88</b> 二合一螺杆 2-in-1-screw	 <b>(B)* 88</b> 大三合一锁饼 Three-in-one large lock	 <b>(C)* 17</b> 木榫Ø8x30mm wood tenon	 <b>(D)* 42</b> 自攻螺丝M3.5x12mm Self-tapping screw
 <b>(E)* 15</b> 自攻螺丝M3.5x16mm Self-tapping screw	 <b>(F)* 15</b> 背板扣 Back Plate Buckle-White	 <b>(G)* 6</b> 拉手 Handle	 <b>(H)* 6</b> 拉手螺丝-M4x22mm pulling screw
 <b>(I)* 3</b> 透气孔盖-白色 Vent cover - white	 <b>(J)* 8</b> 挂衣托-F874-B Clothes hanger	 <b>(K)* 1</b> 挂衣杆1 L-758 Clothes hanging rod 3	 <b>(L)* 3</b> 挂衣杆2 L-375 Clothes hanging rod 2
 <b>(M)* 2</b> 三节滚珠导轨-14" three-section ball rail	 <b>(N)* 14</b> 缓冲门铰直弯-杯径Ø35 llinge straight bending diameter 35	 <b>(O)* 20</b> 层板托 shelf support	 <b>(P)* 16</b> 脚垫-灰色 Footrest - Grey
 <b>(Q)* 4</b> 过山丝-M7x38mm Self-tapping screw galvanized	 <b>(R)* 1</b> 内六角扳手4mm spanner-(4mm) hex		

TE10D-A

安装方法/  
Installation method



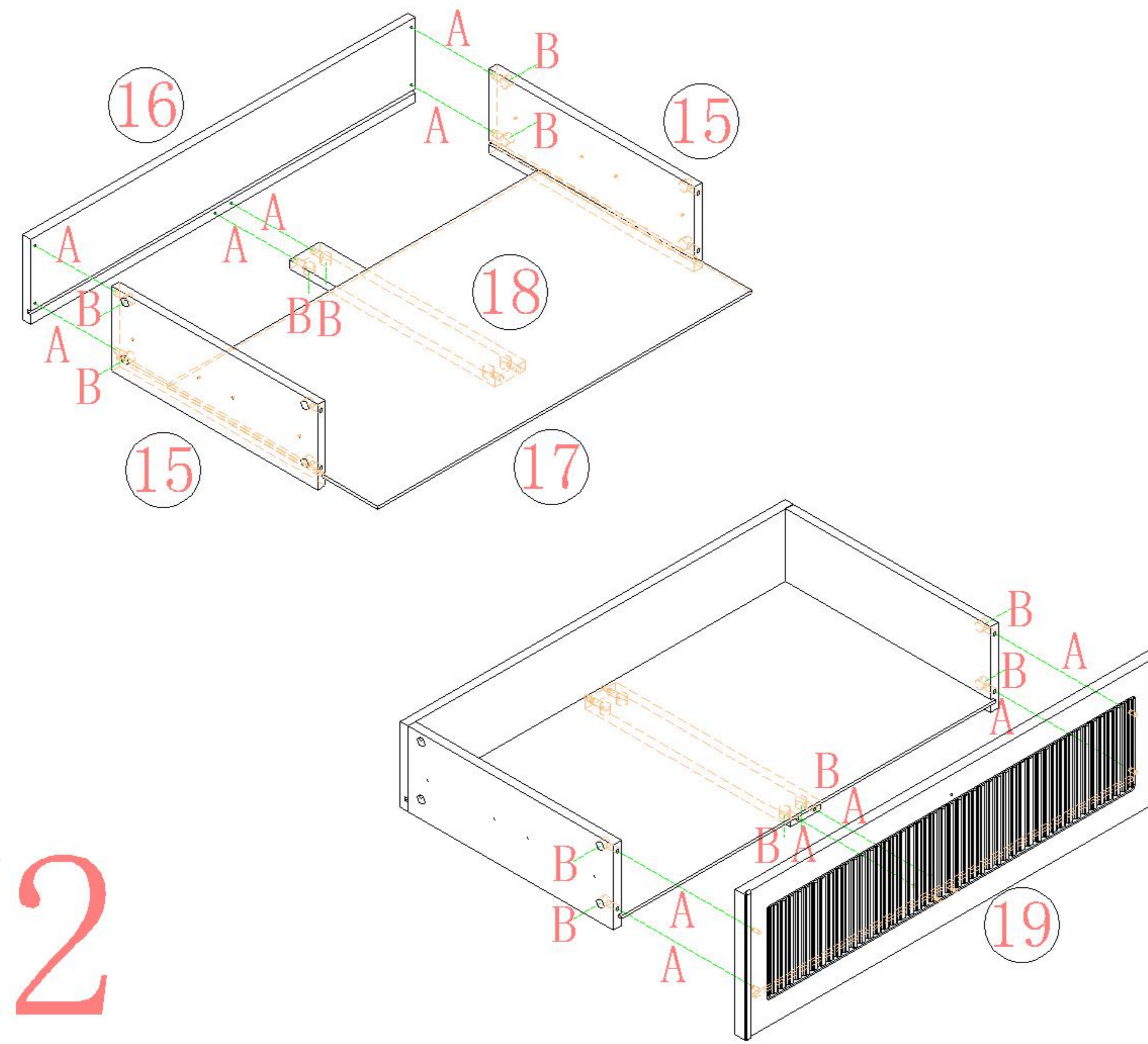
大二合一  
two-in-one



(A)\*24

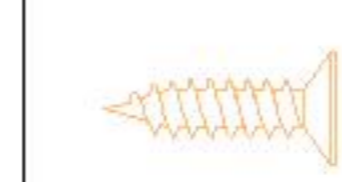


(B)\*24



X2

1



(D)\*12



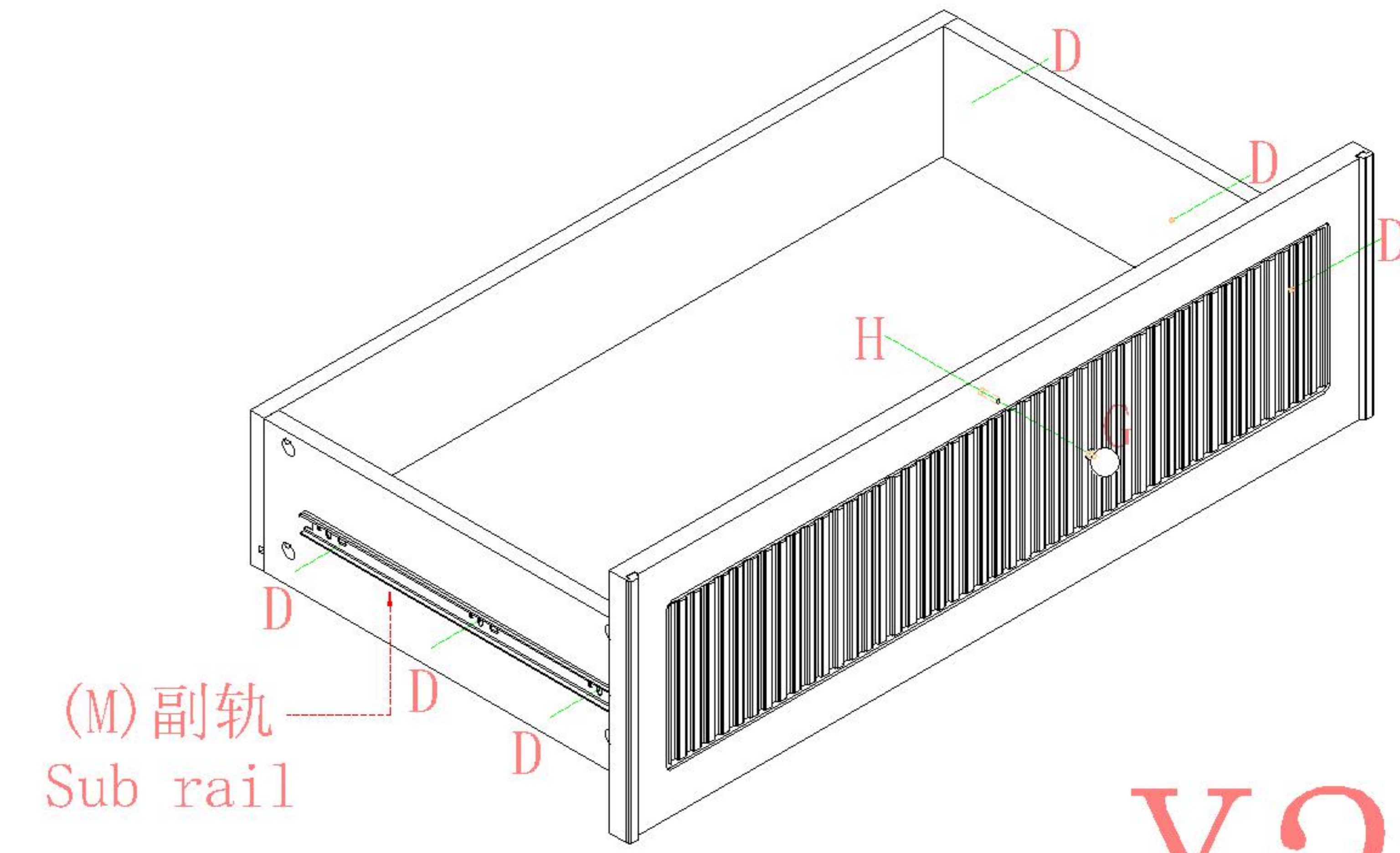
(M)\*2



(G)\*2



(H)\*2



(M) 副轨  
Sub rail

X2

2

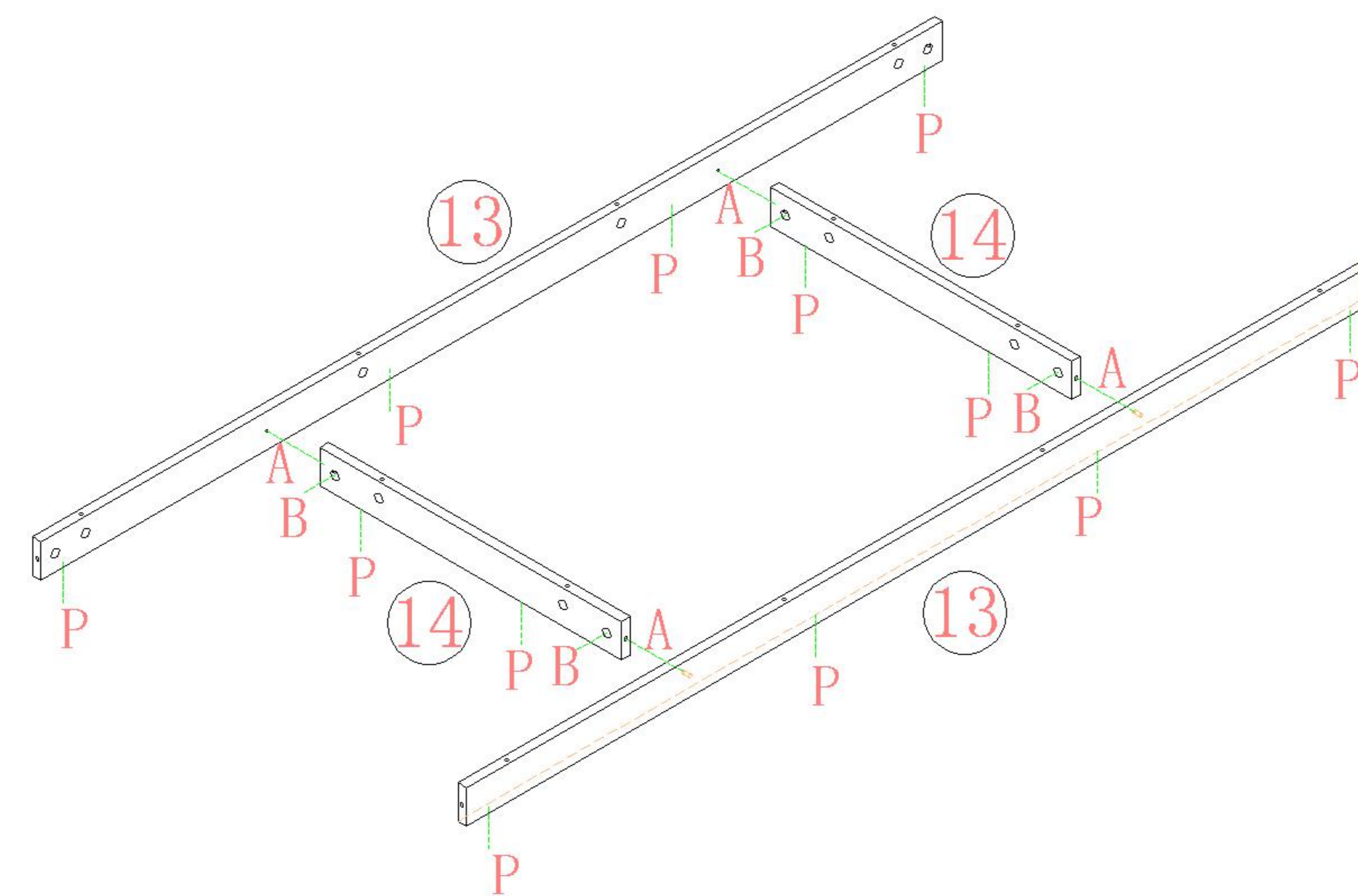
3



(A)\*12



(B)\*12



(A)\*4



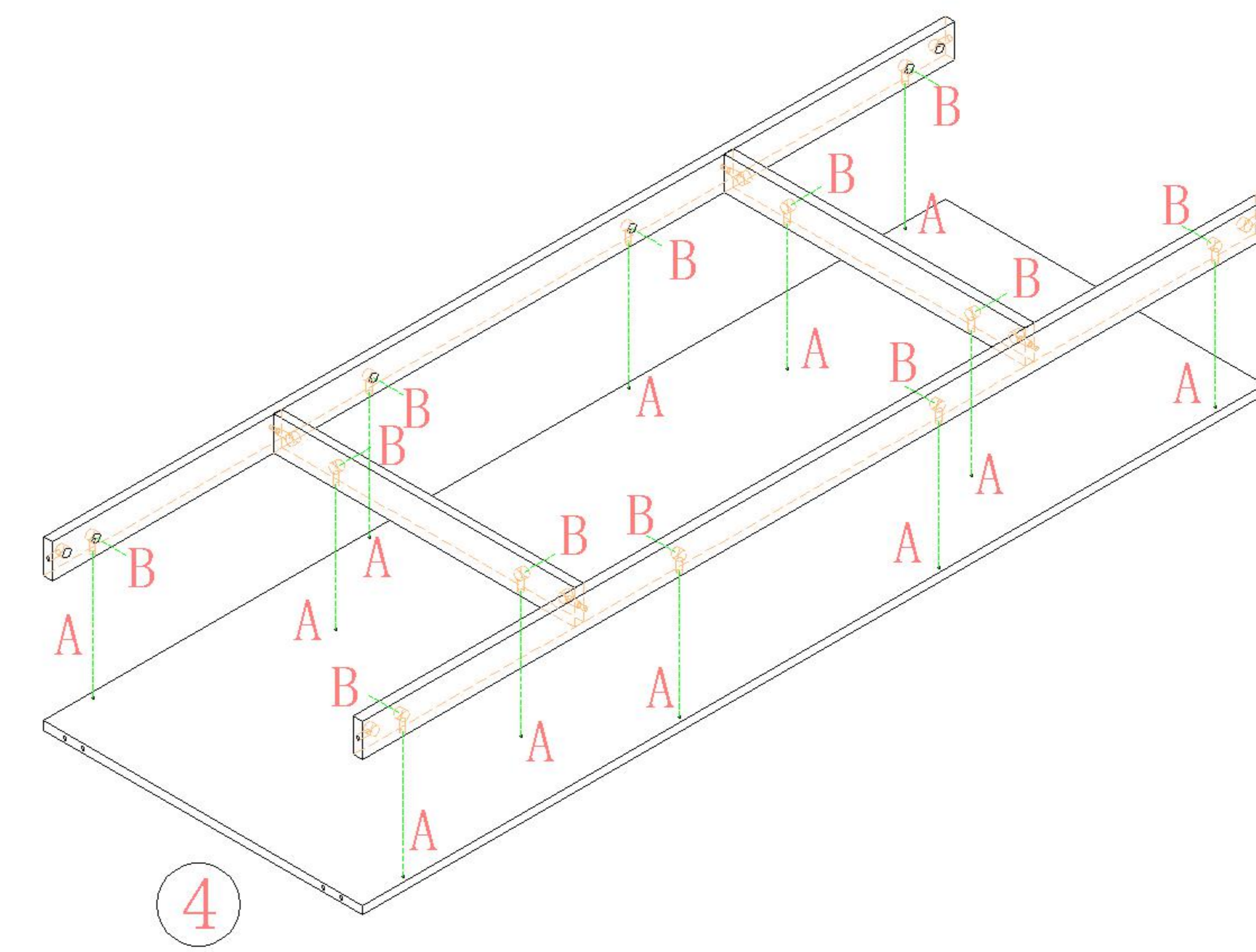
(B)\*4



(P)\*12

4

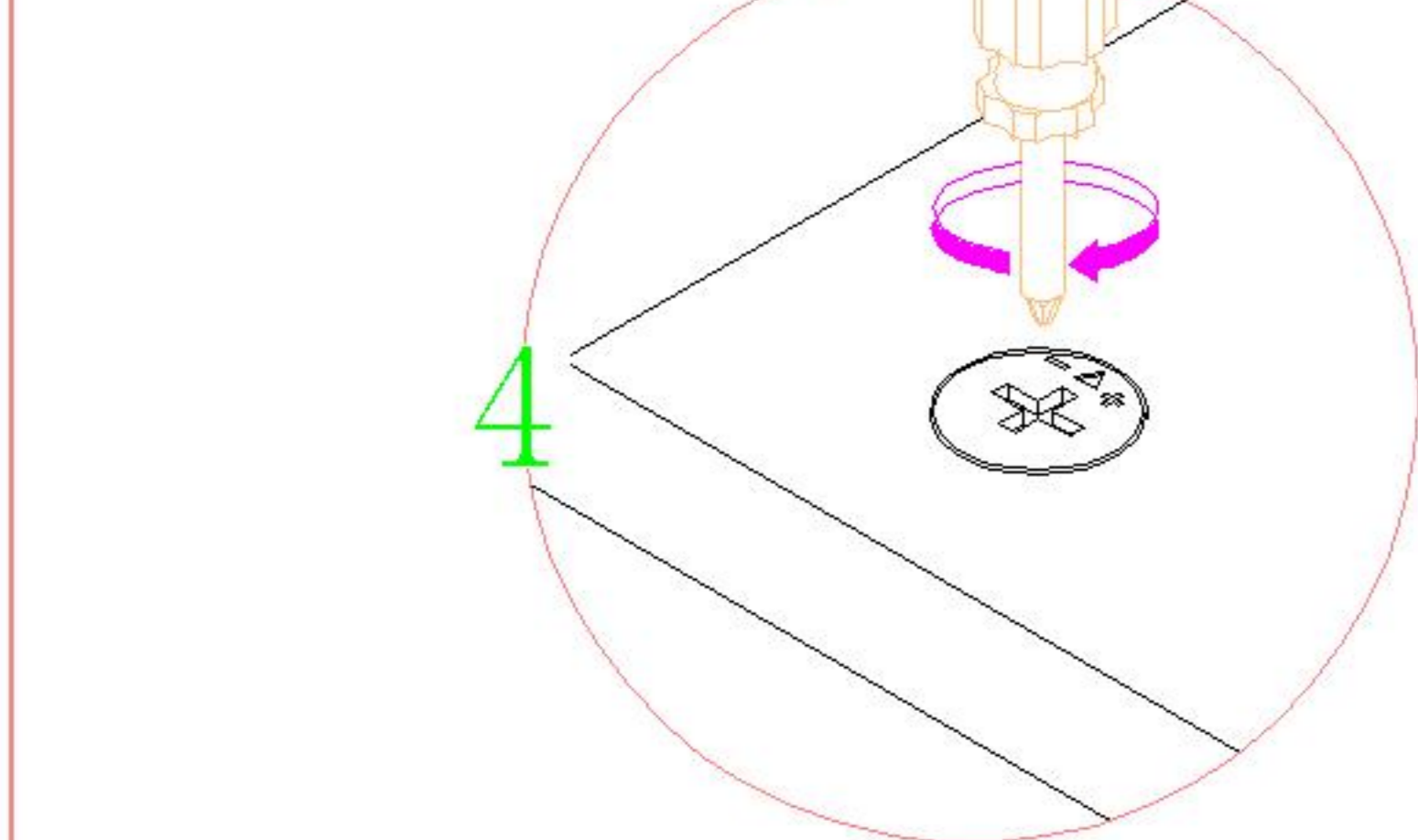
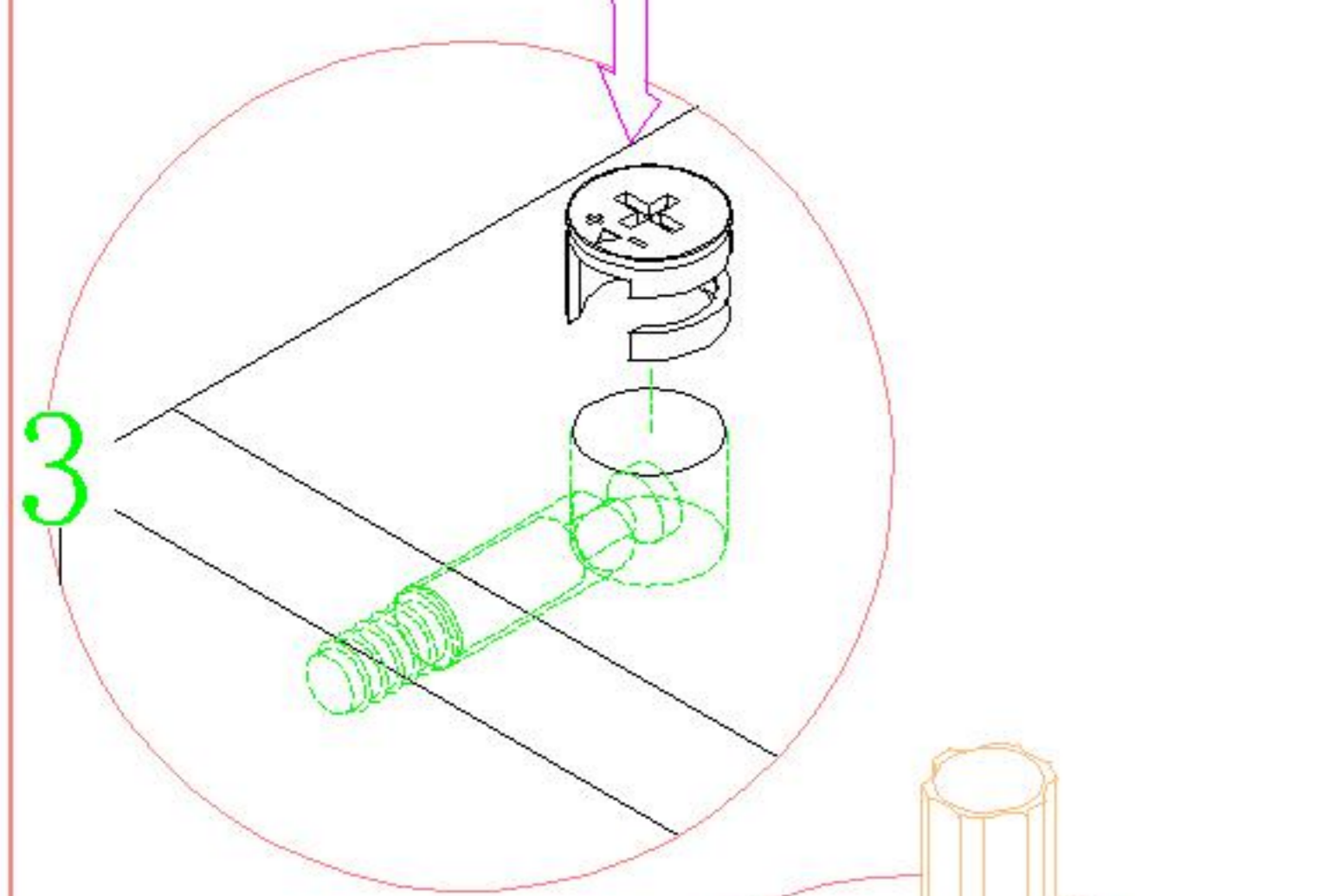
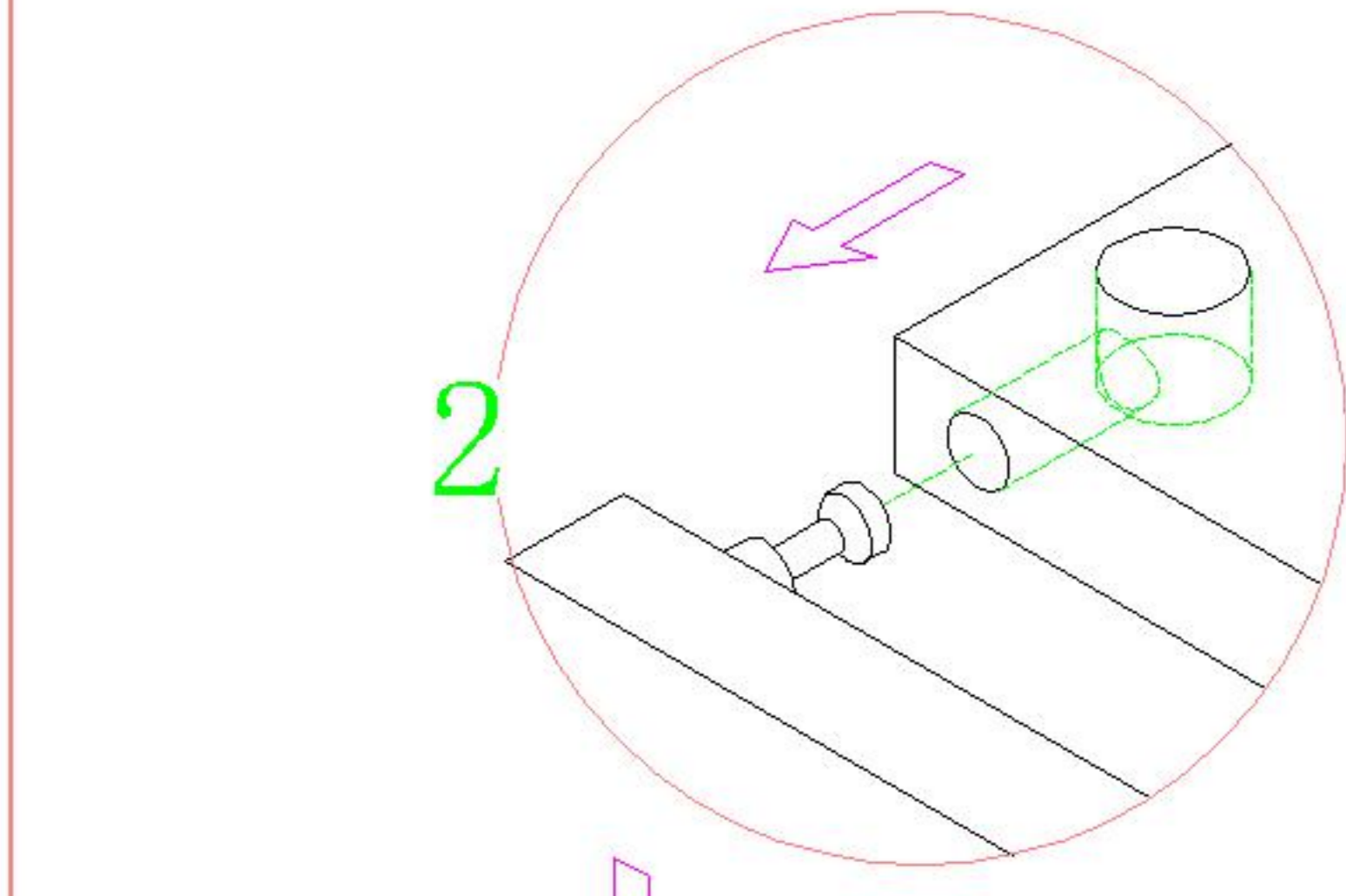
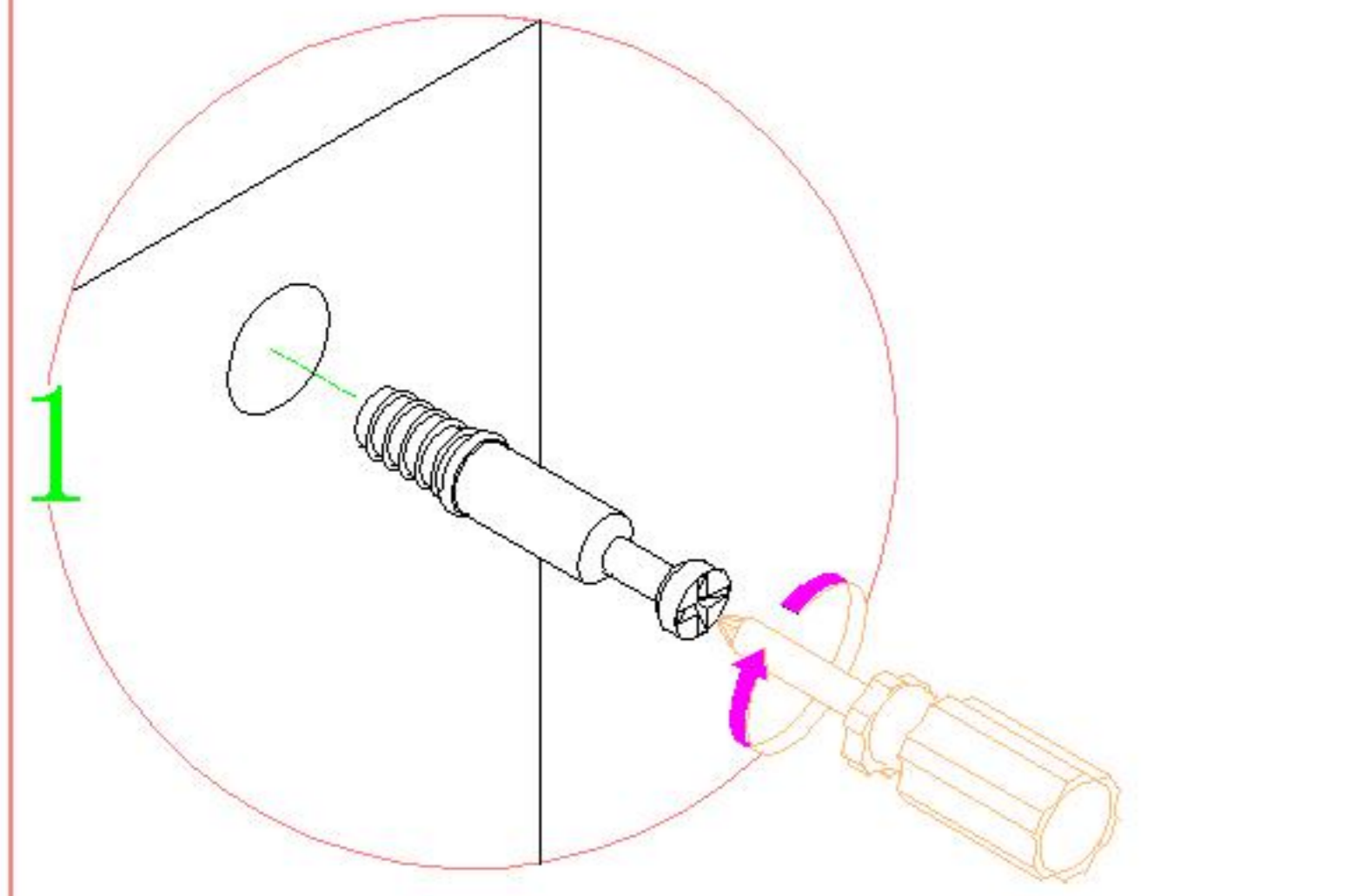
(B)\*12



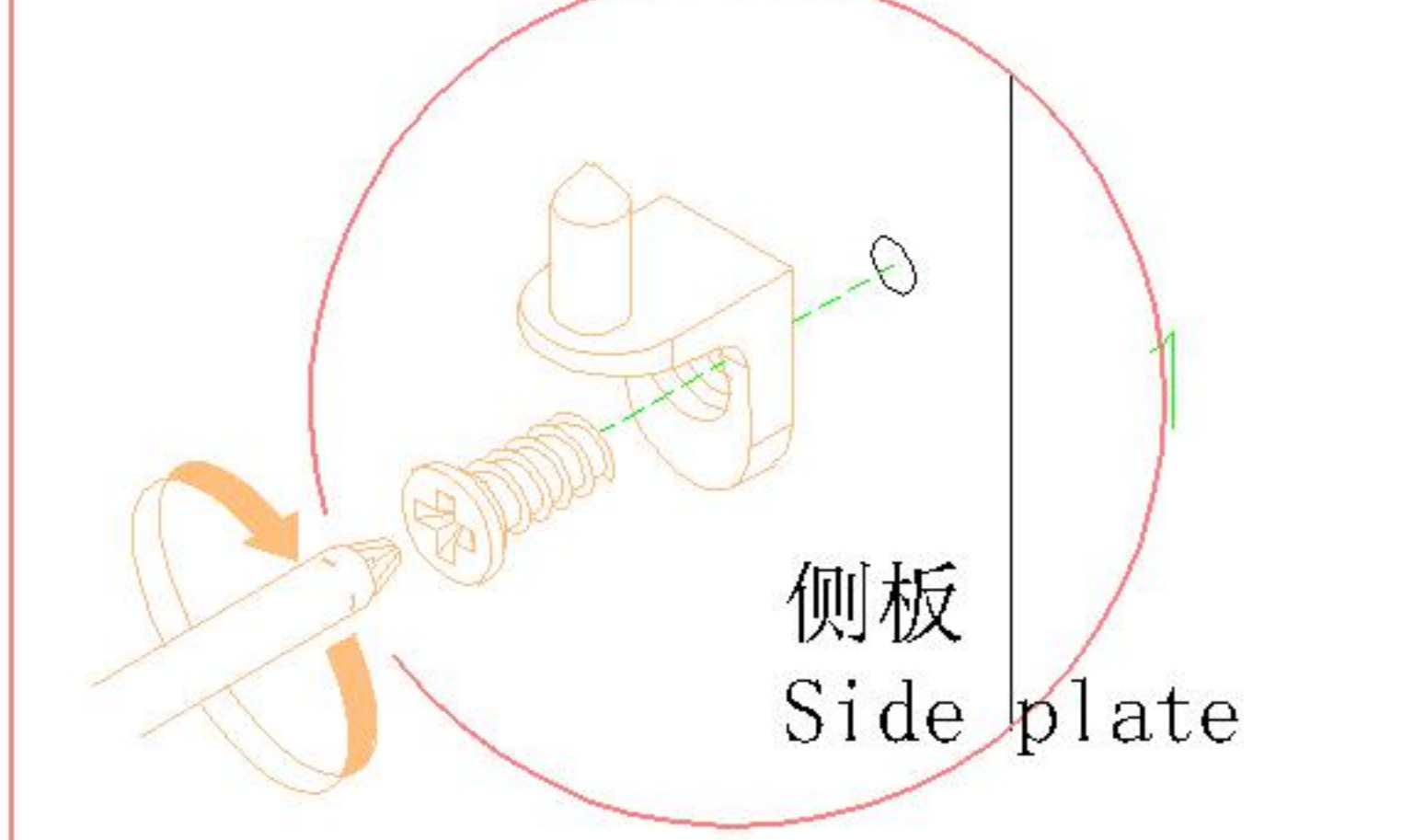
4

TE10D-A

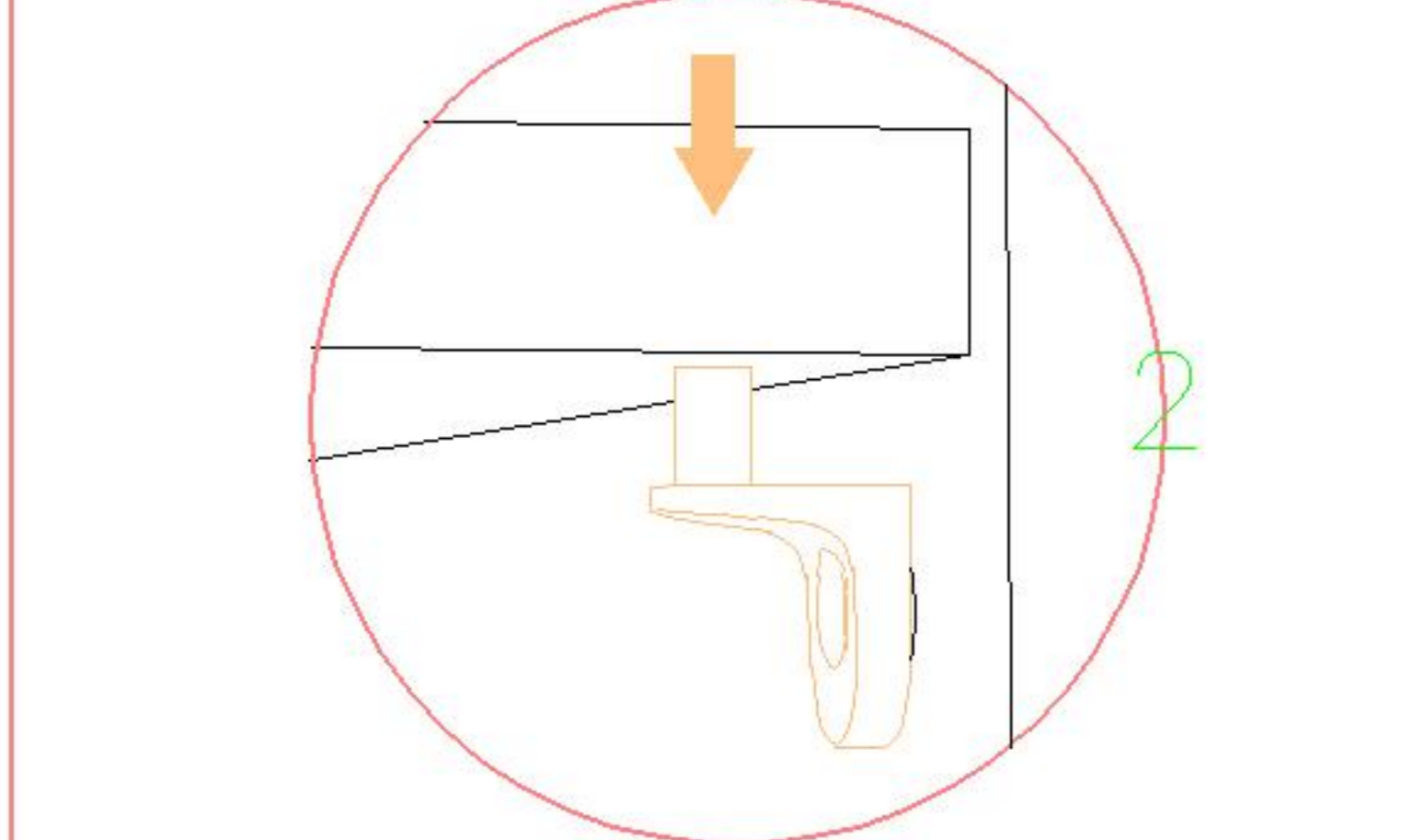
安装方法/  
Installation method



大二合一  
two-in-one



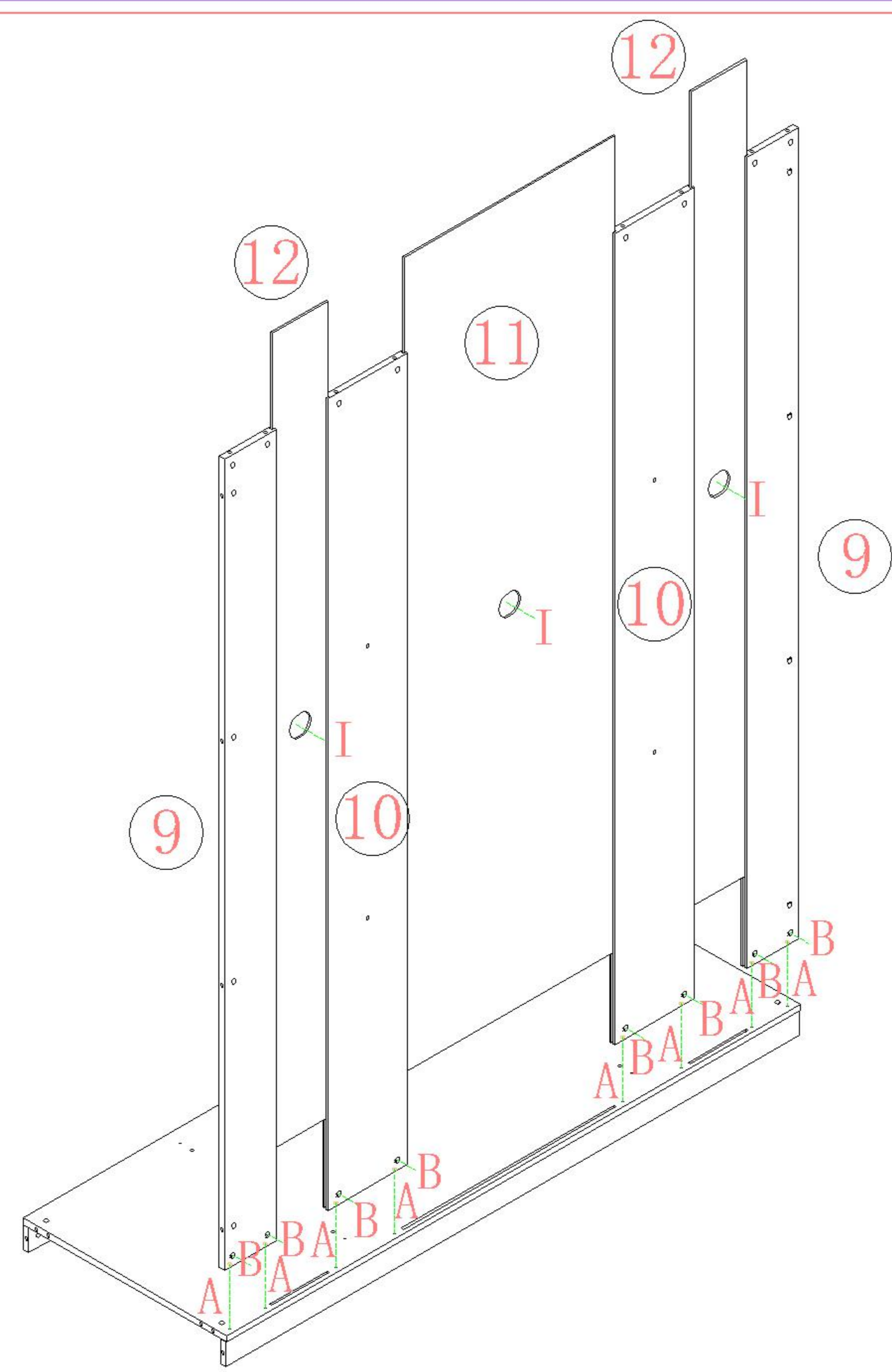
侧板  
Side plate



层板托5mm  
shelf support

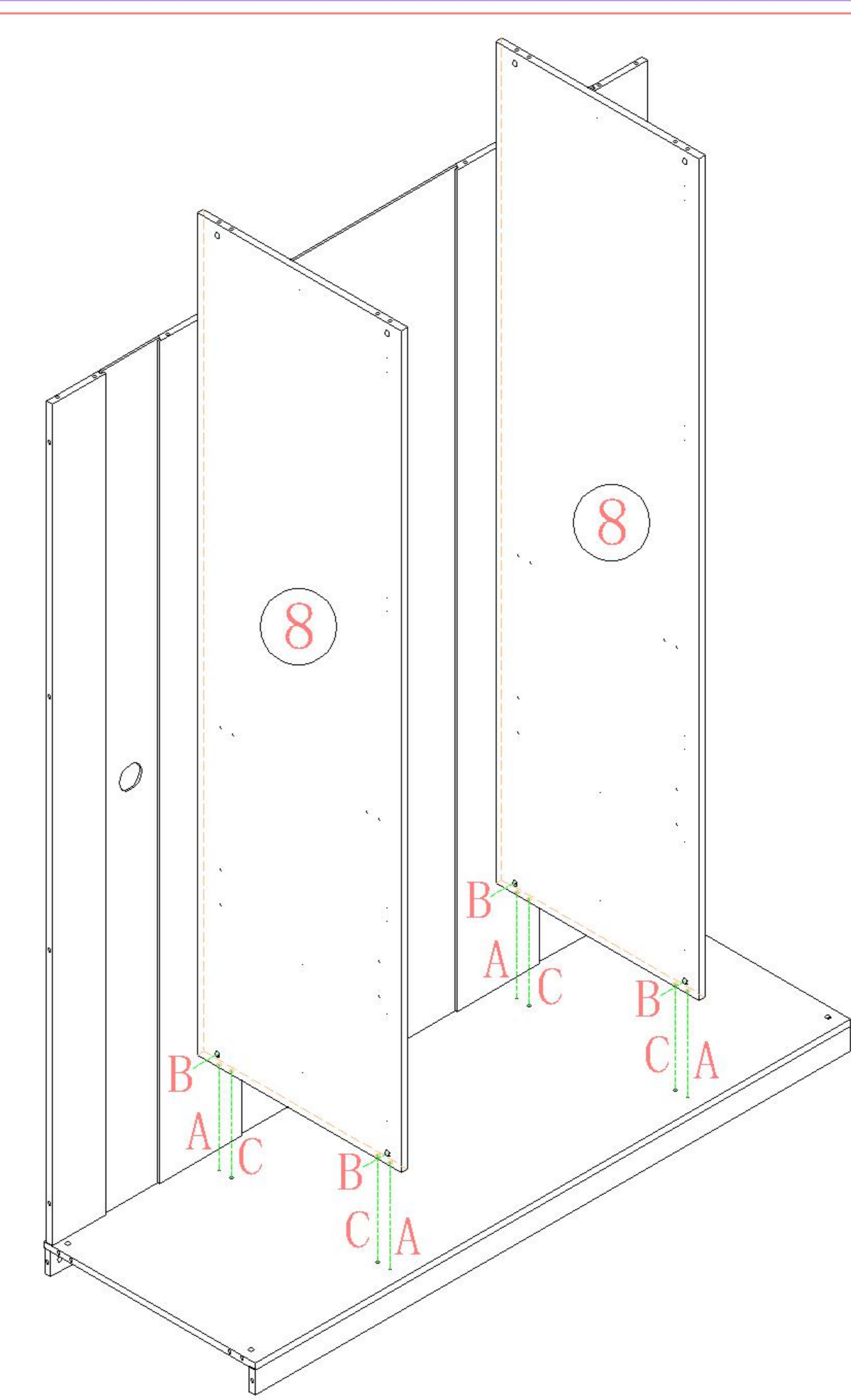
- (A)\*8
- (B)\*8
- (I)\*3

- (Q)\*4
- (R)\*1

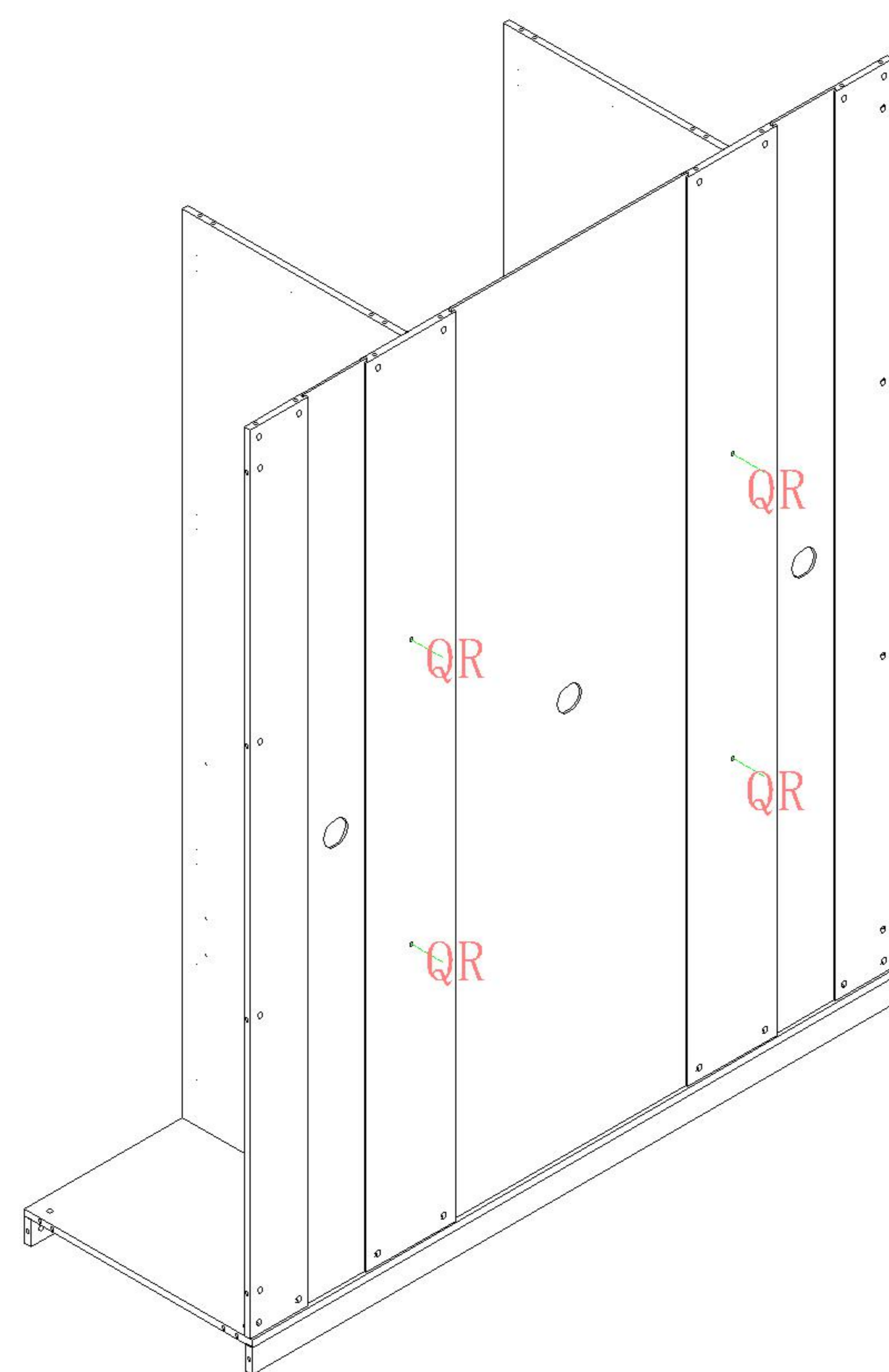


5

- (A)\*4
- (B)\*4
- (C)\*4

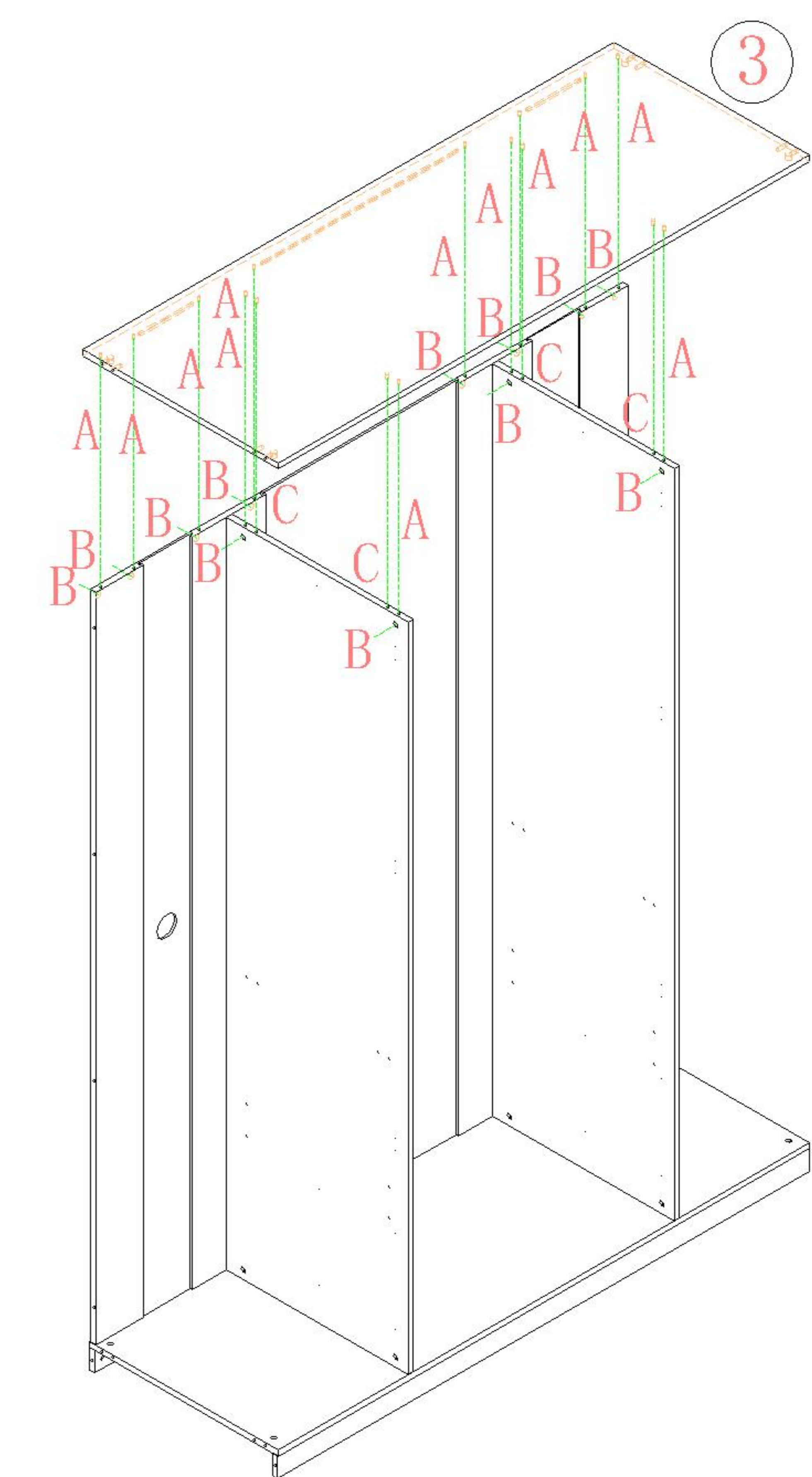


6



7

- (A)\*12
- (B)\*12
- (C)\*4

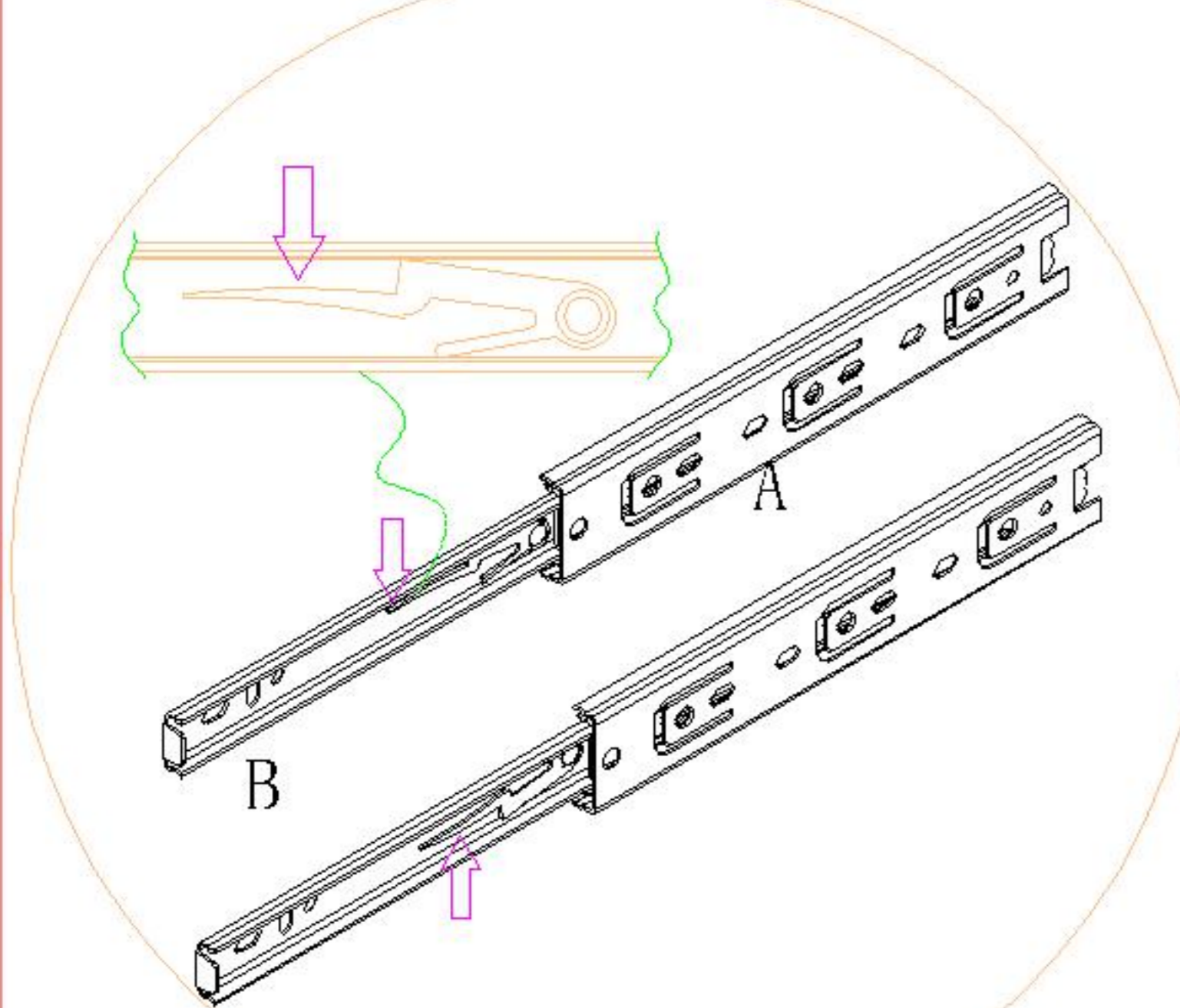


8

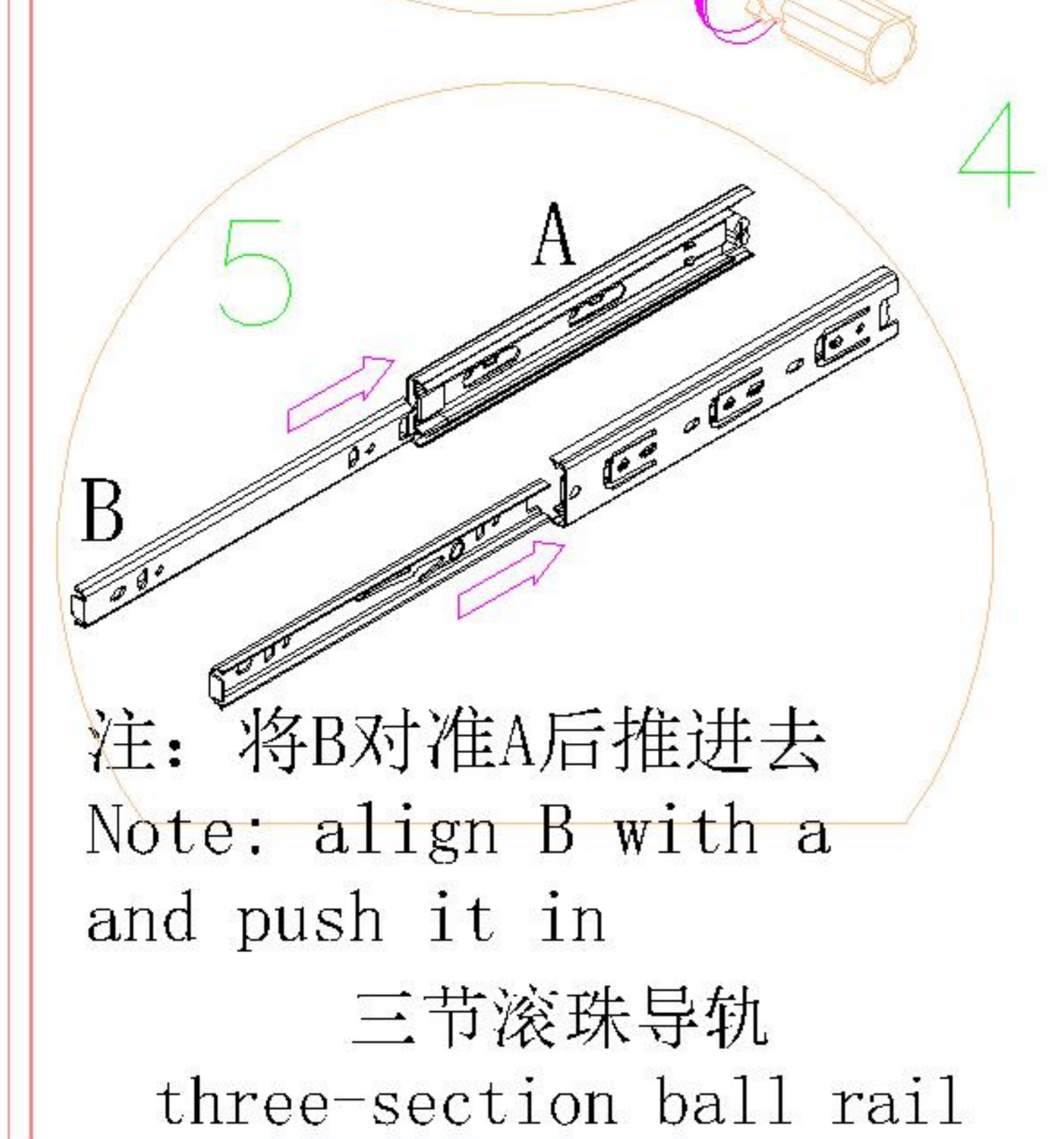
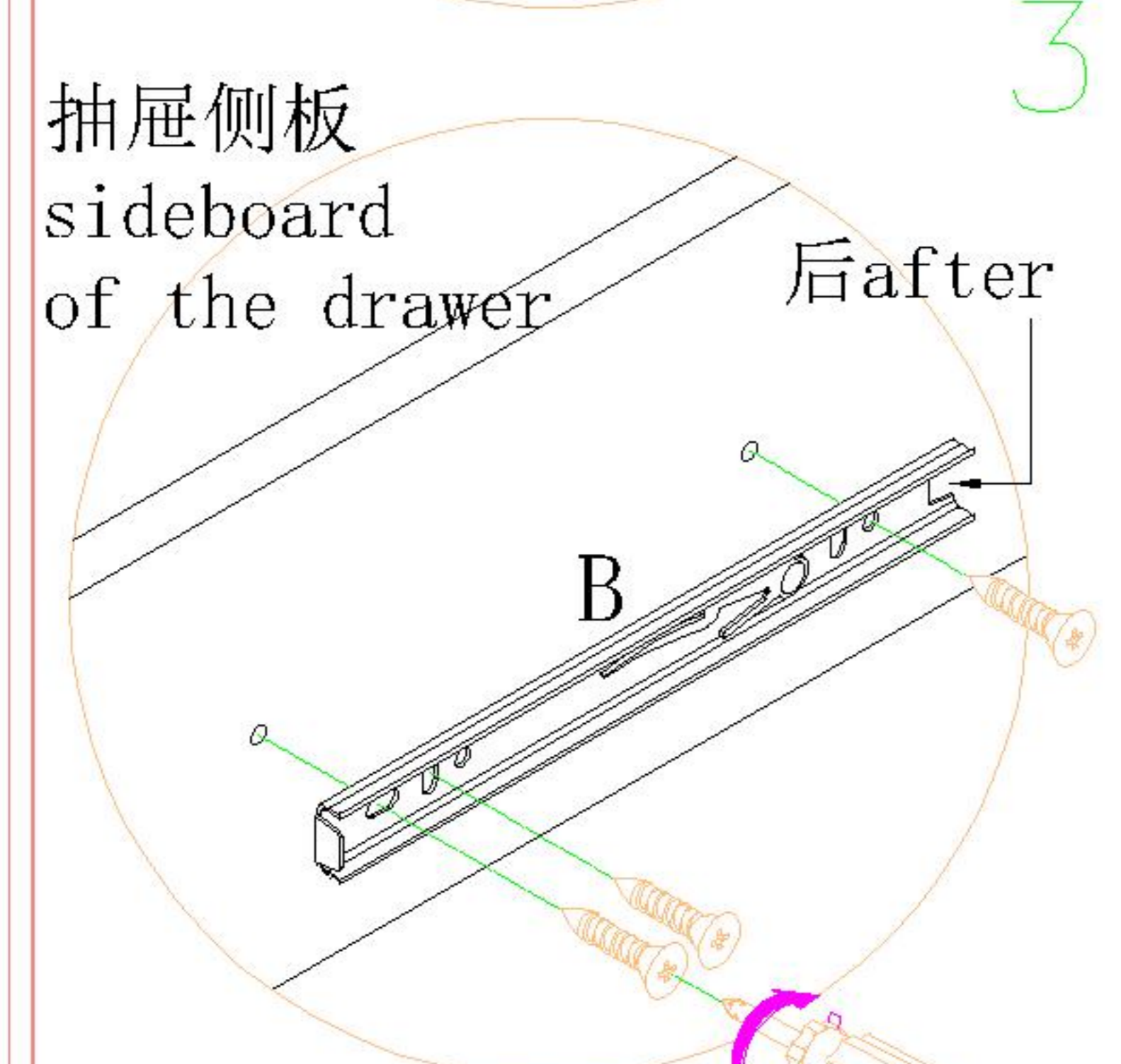
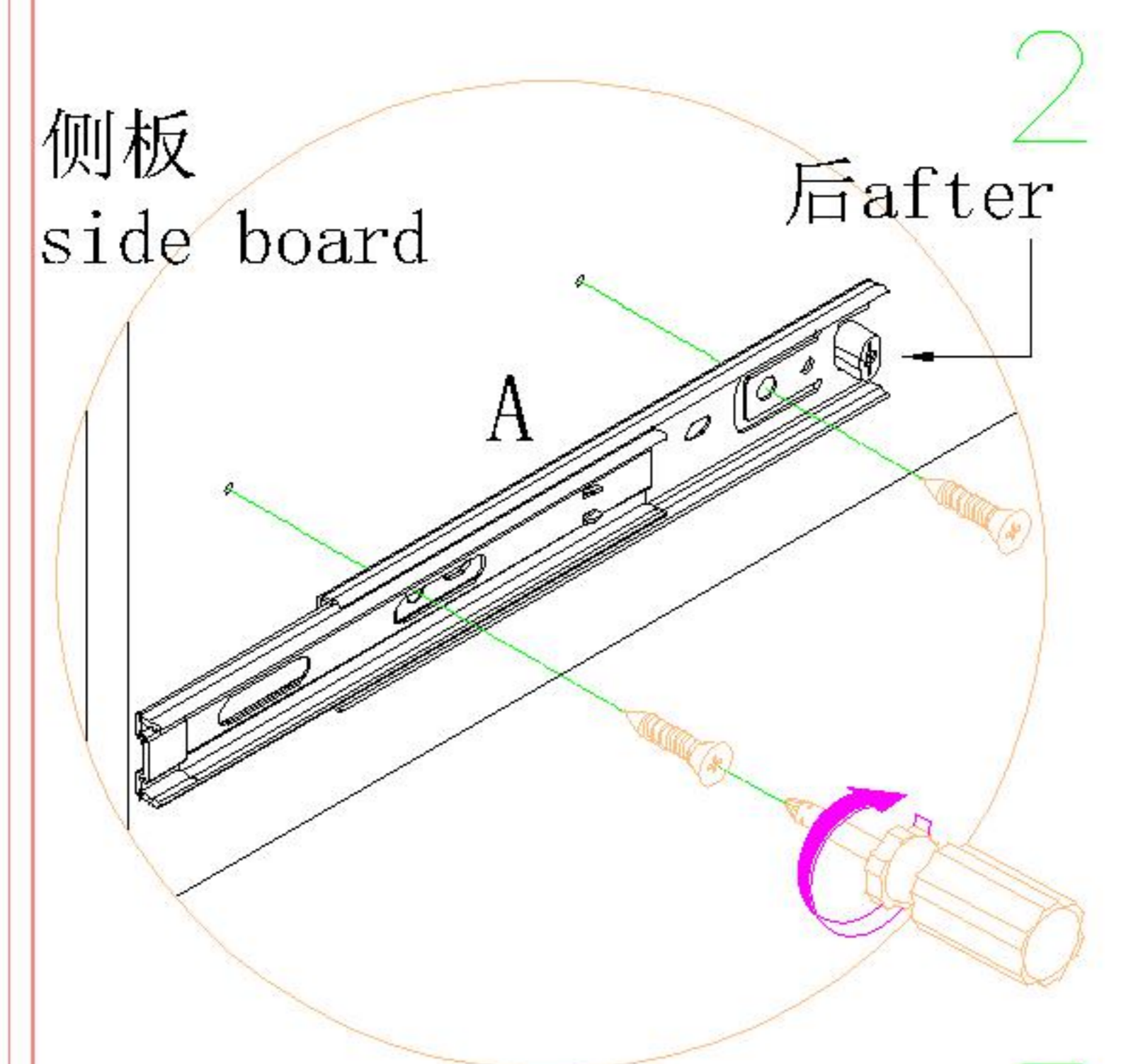
TE10D-A

安装方法/  
Installation method

阀门开关(下压为开)  
Valve switch  
(press down to open)

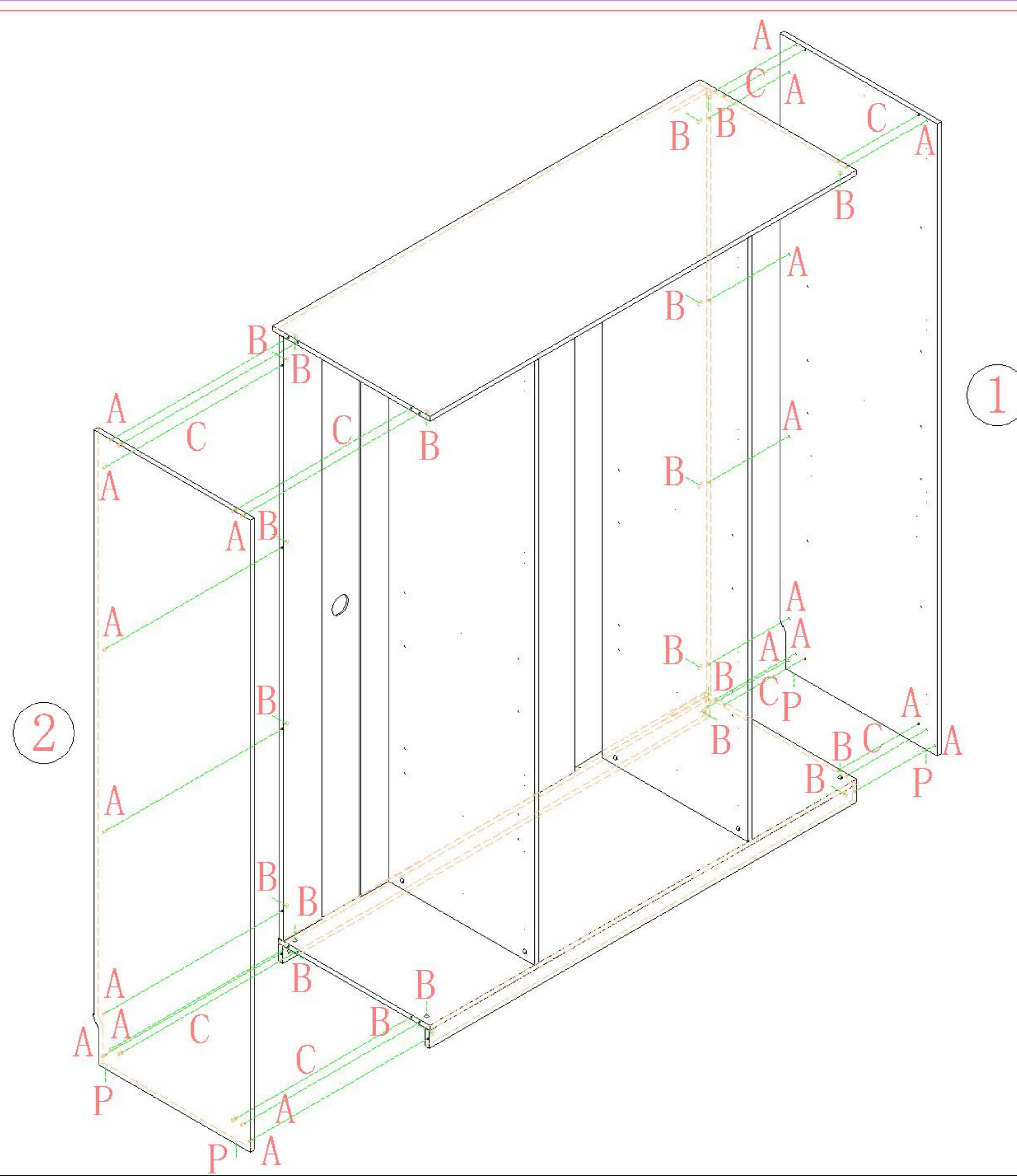


注: 先将A与B拆下来  
Note: remove a and B first



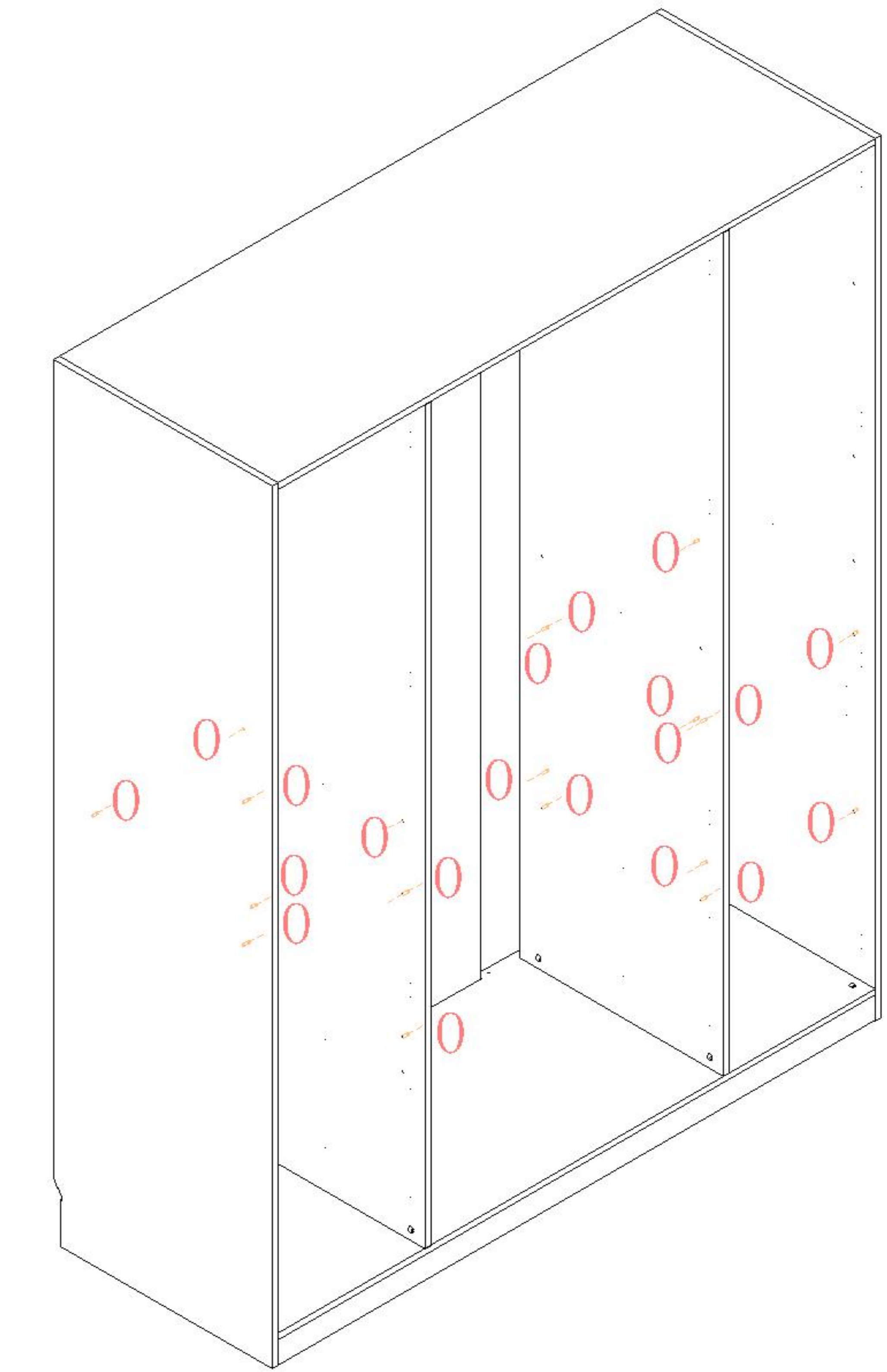
注: 将B对准A后推进去  
Note: align B with a  
and push it in

- (A)\*20
- (B)\*20
- (C)\*8
- (P)\*4



9

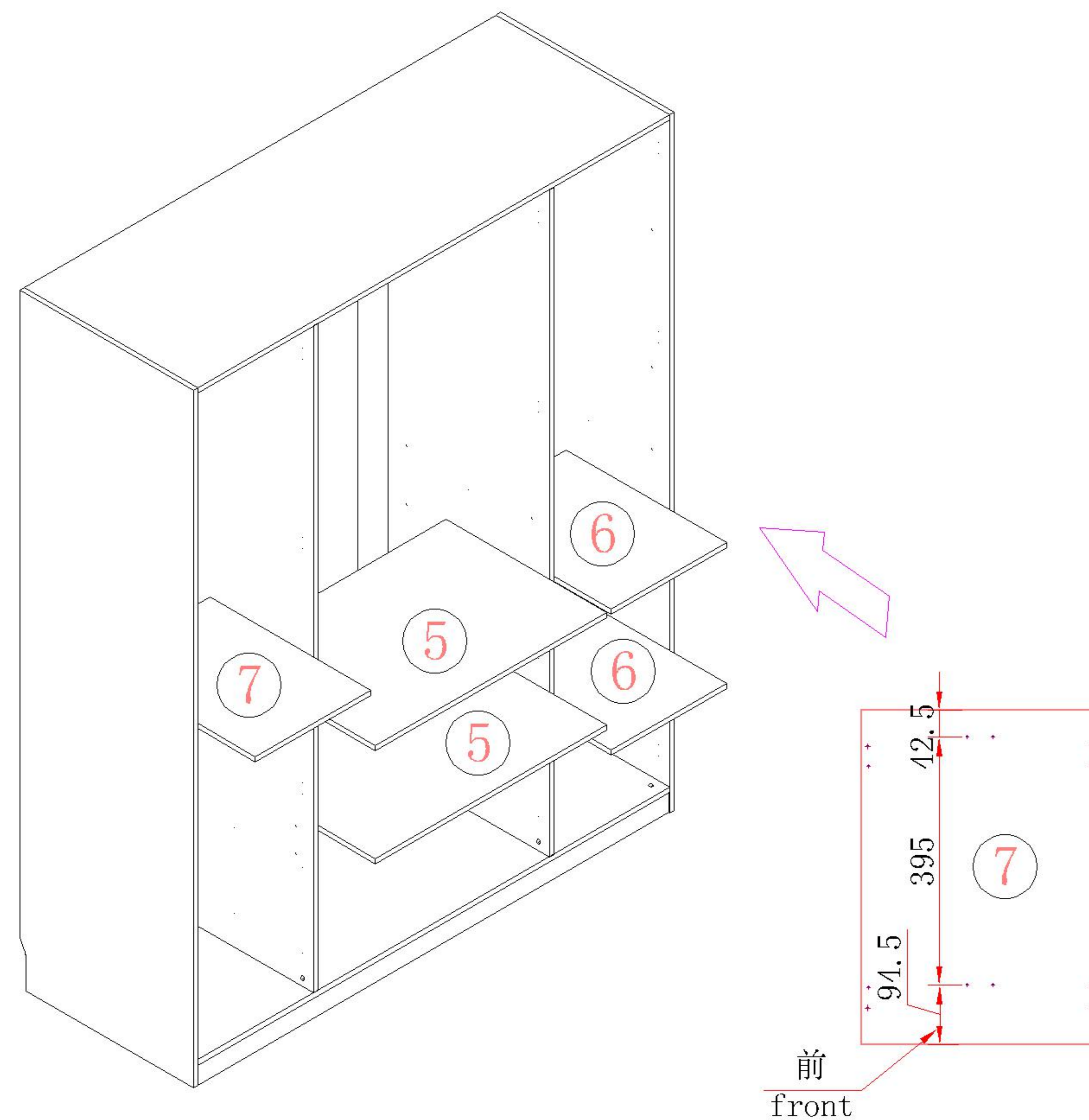
- (O)\*20



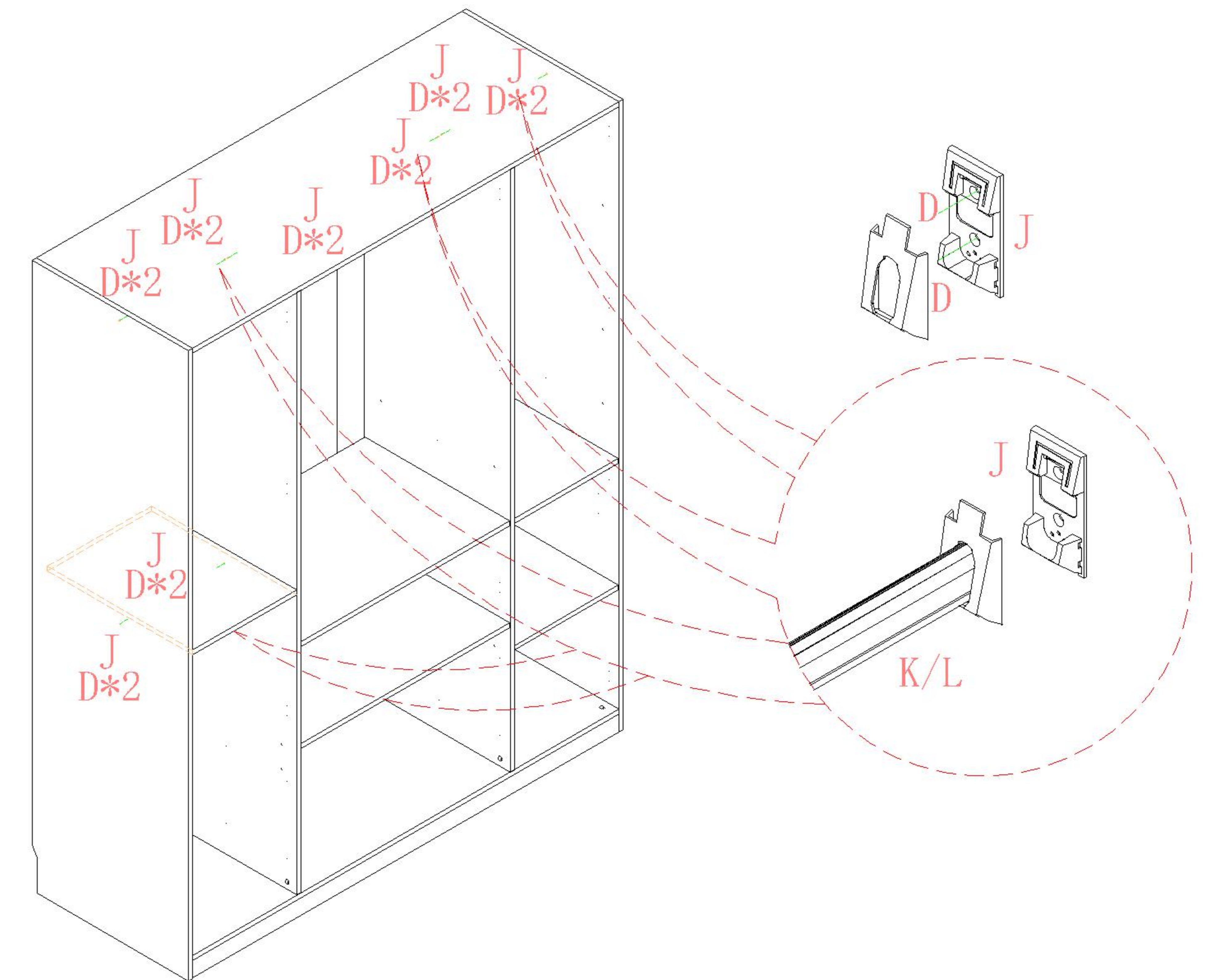
10

11

- (D)\*16
- (J)\*8
- (K)\*1
- (L)\*3



12



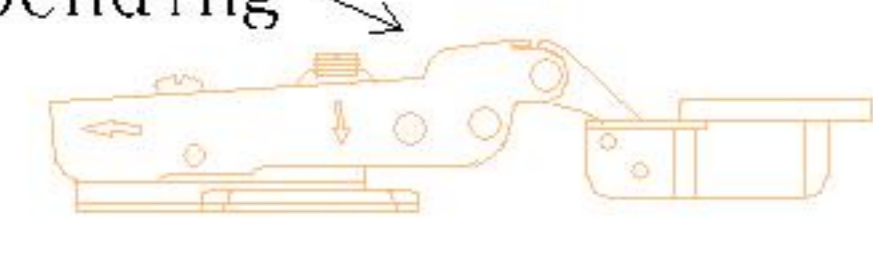
TE10D-A

安装方法/  
Installation method

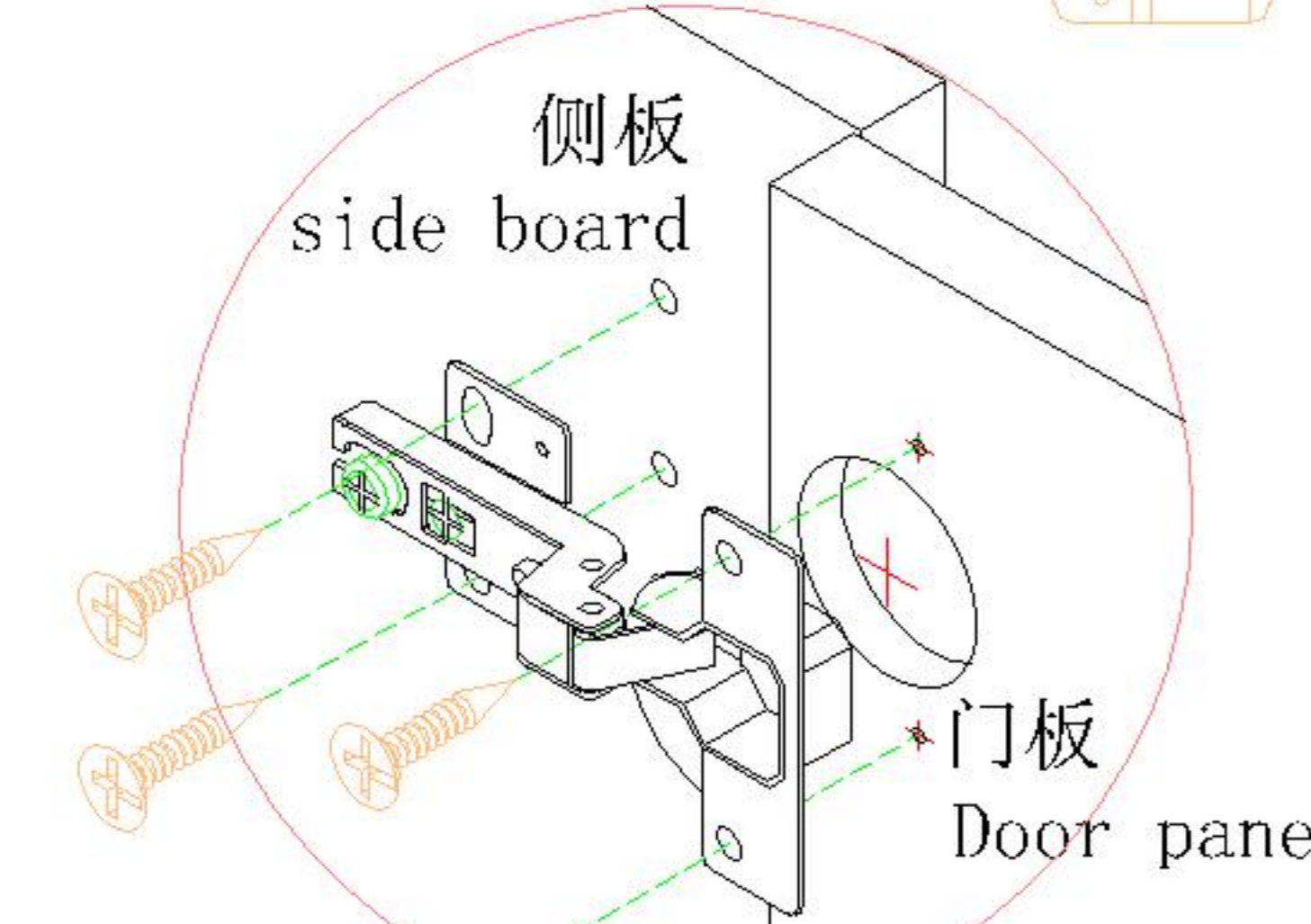
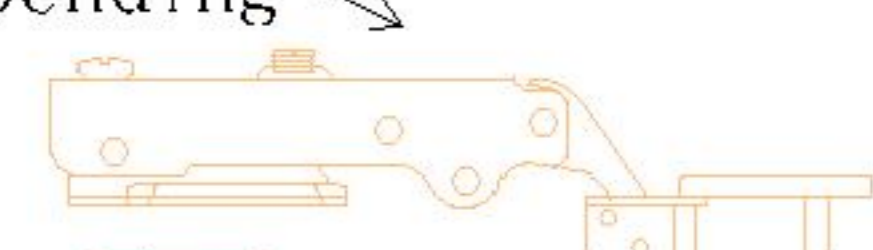
大弯big bend



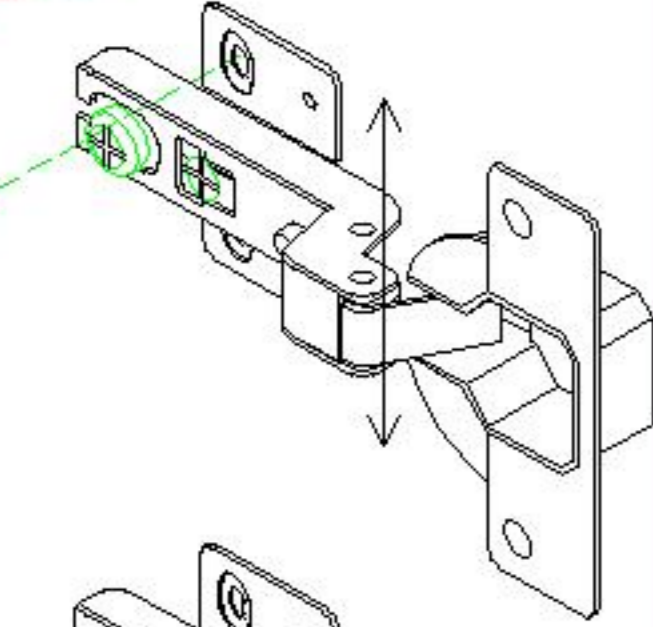
中弯middle bending



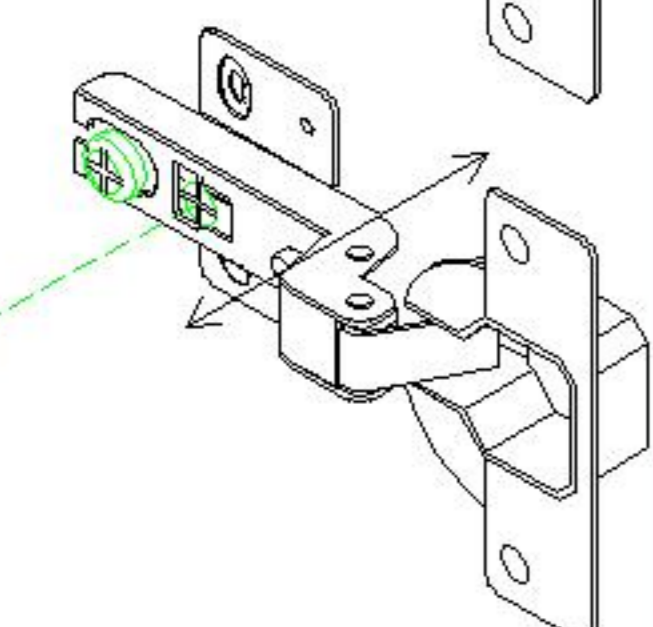
直弯straight bending



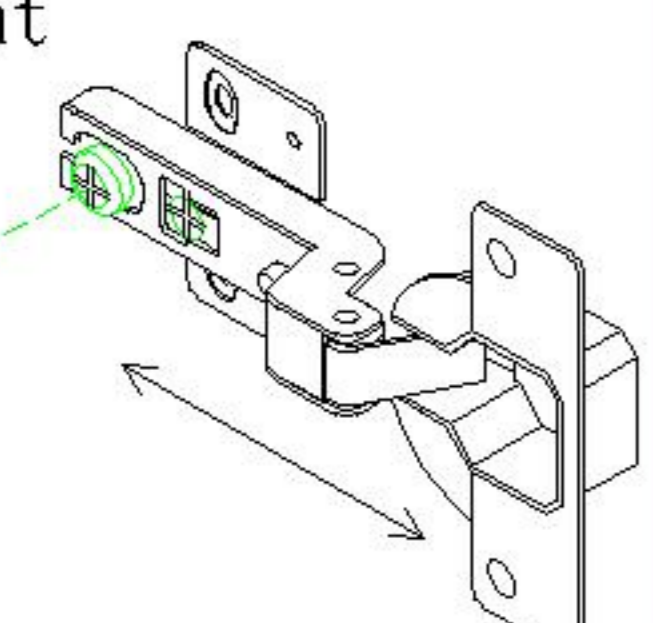
调节上下  
Adjust up and down



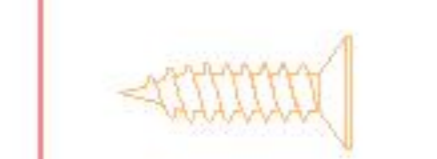
调节左右  
Adjust left and right



调节前后  
Before and after adjustment



门铰  
Hinge



(D)\*12



(M)\*2



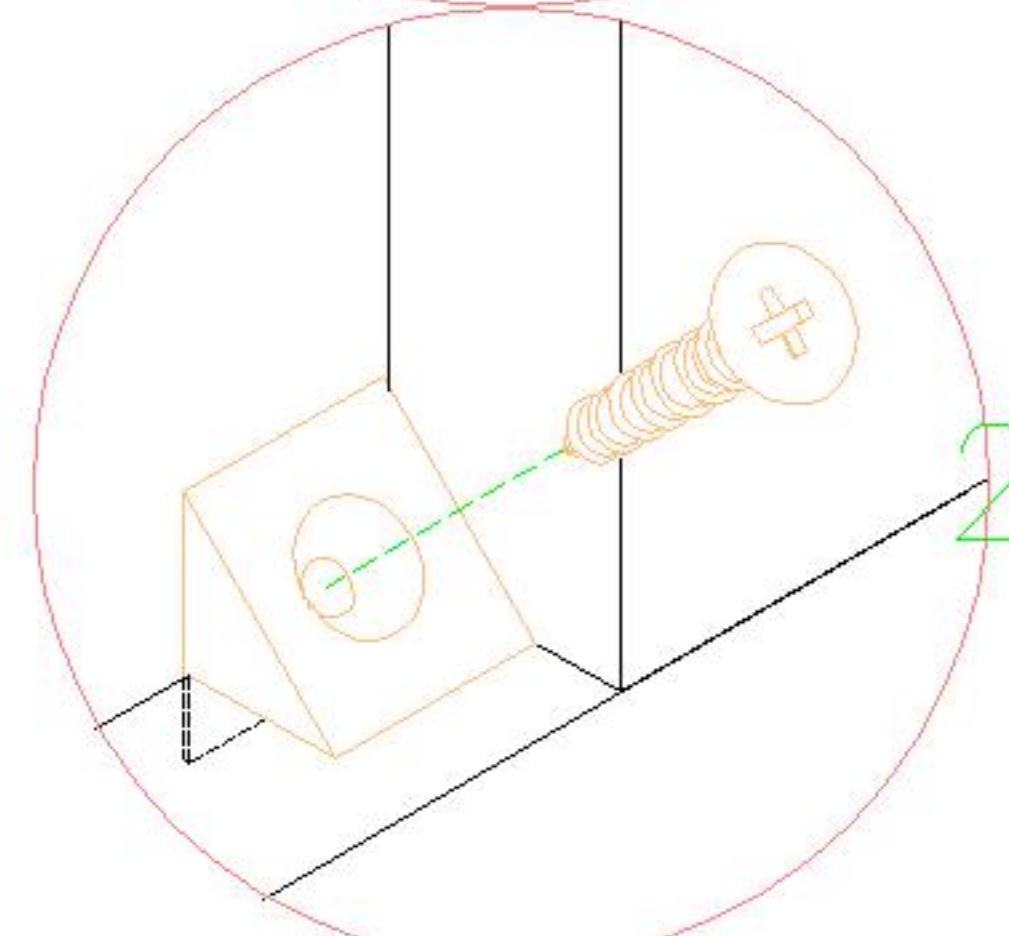
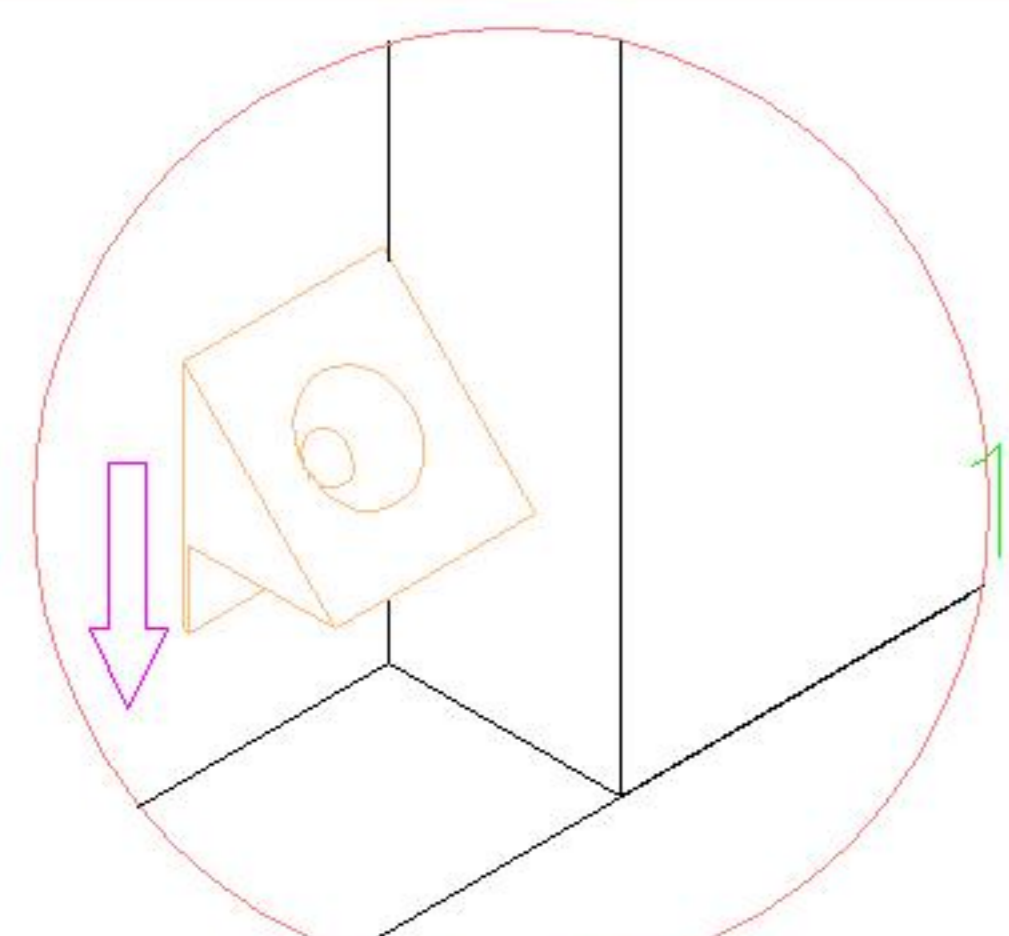
(H)\*4



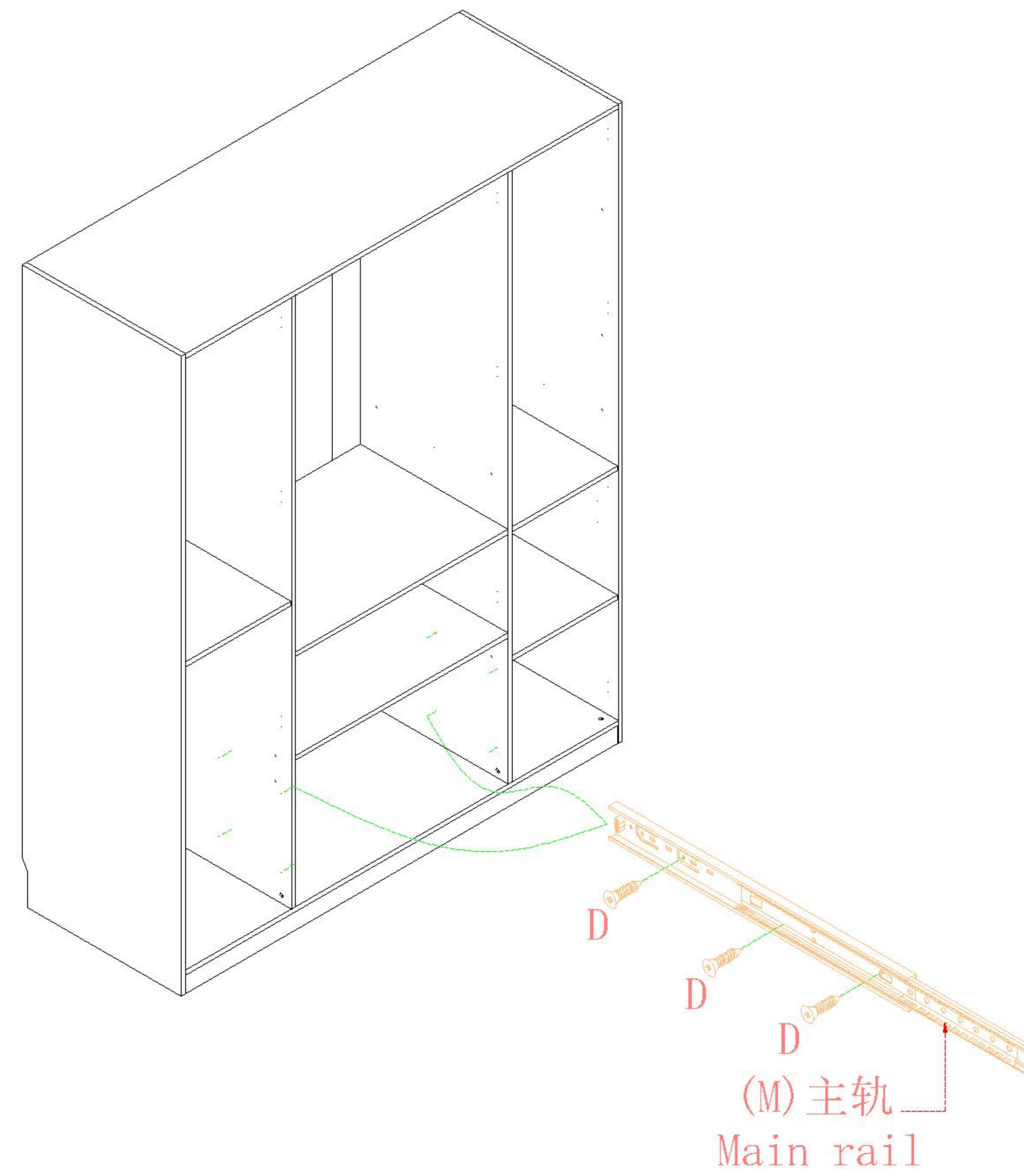
(G)\*4



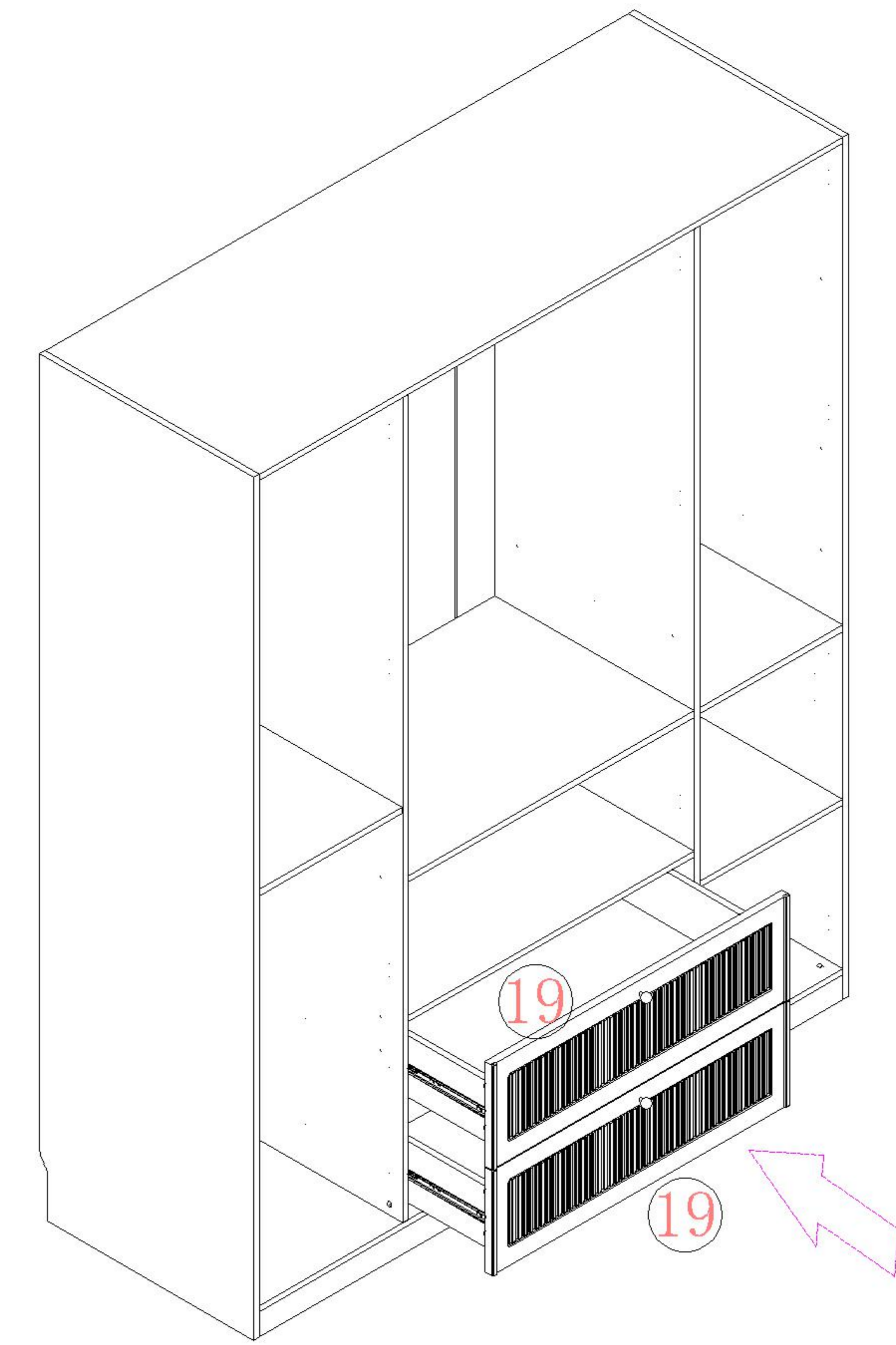
(N)\*14



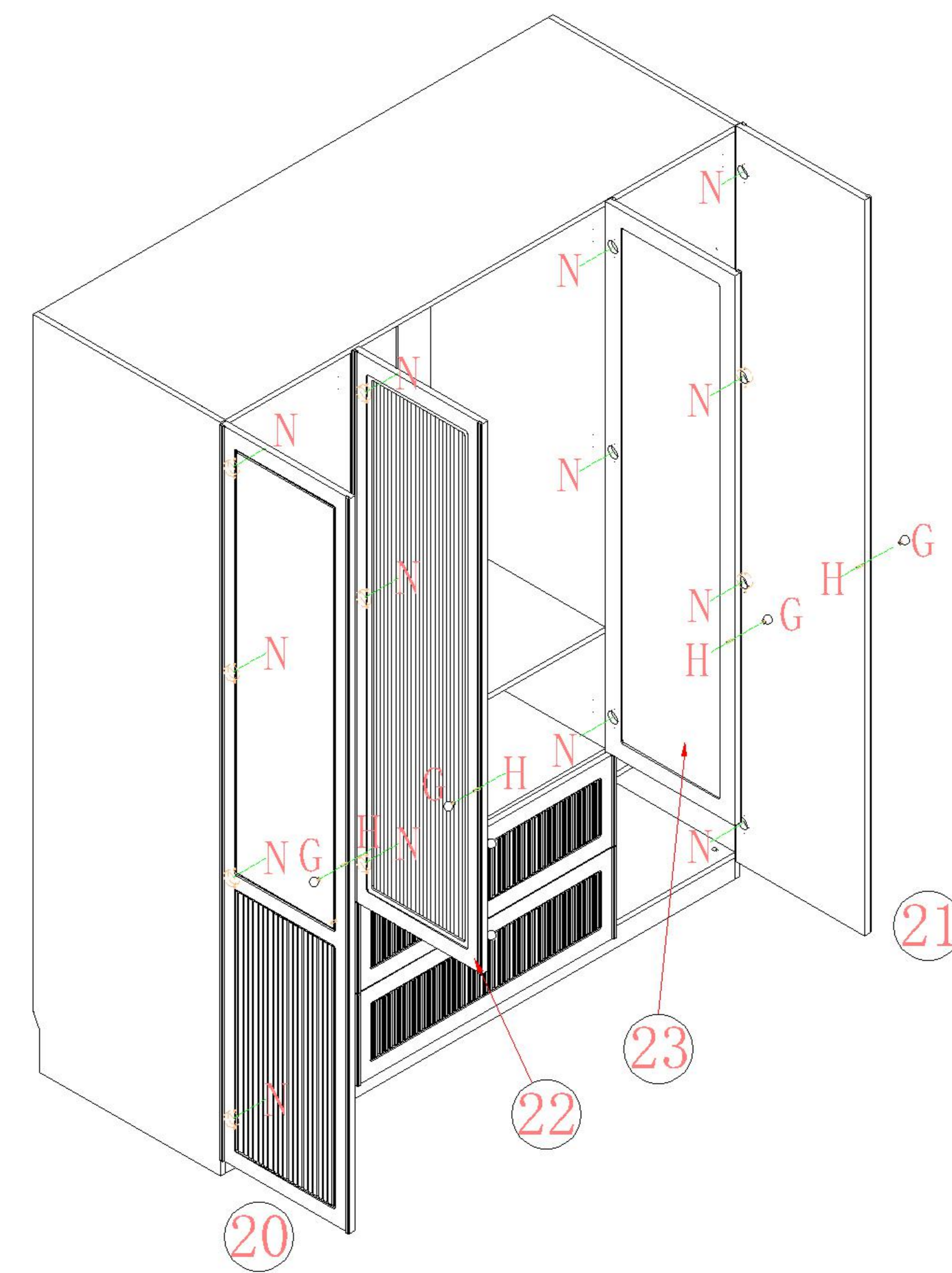
背板扣  
Back Plate Buckle-White



13



14



15



(E)\*14



(F)\*14

16

