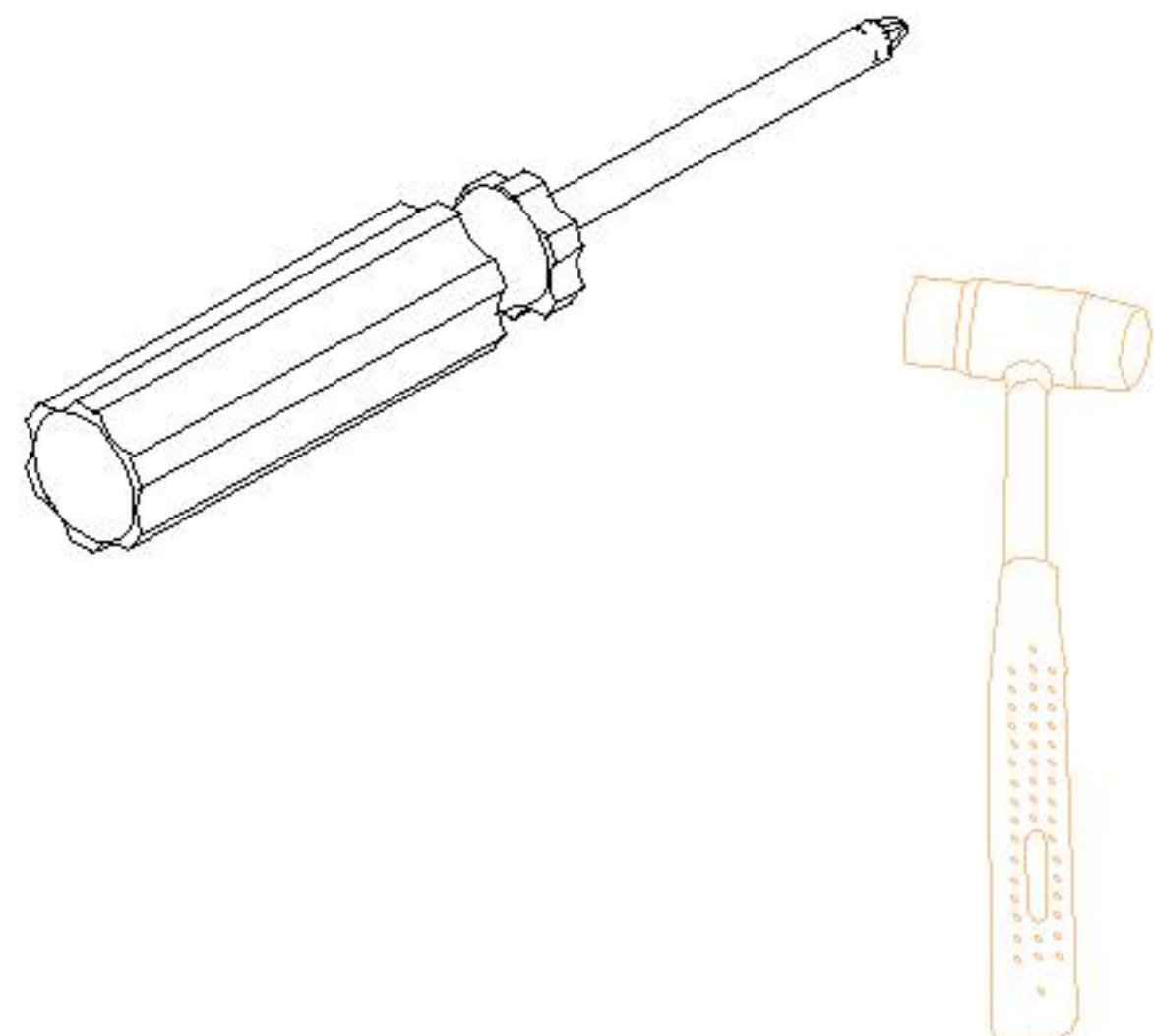
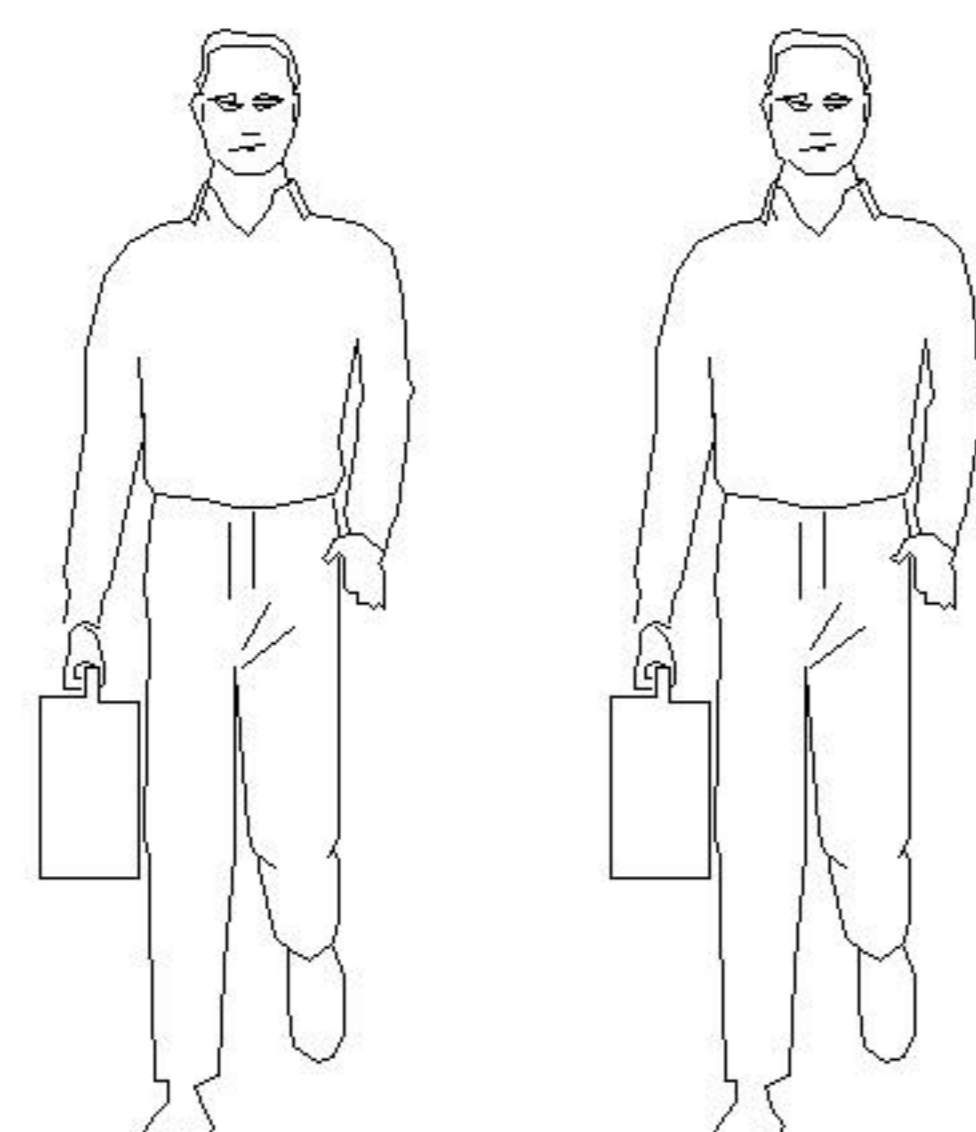


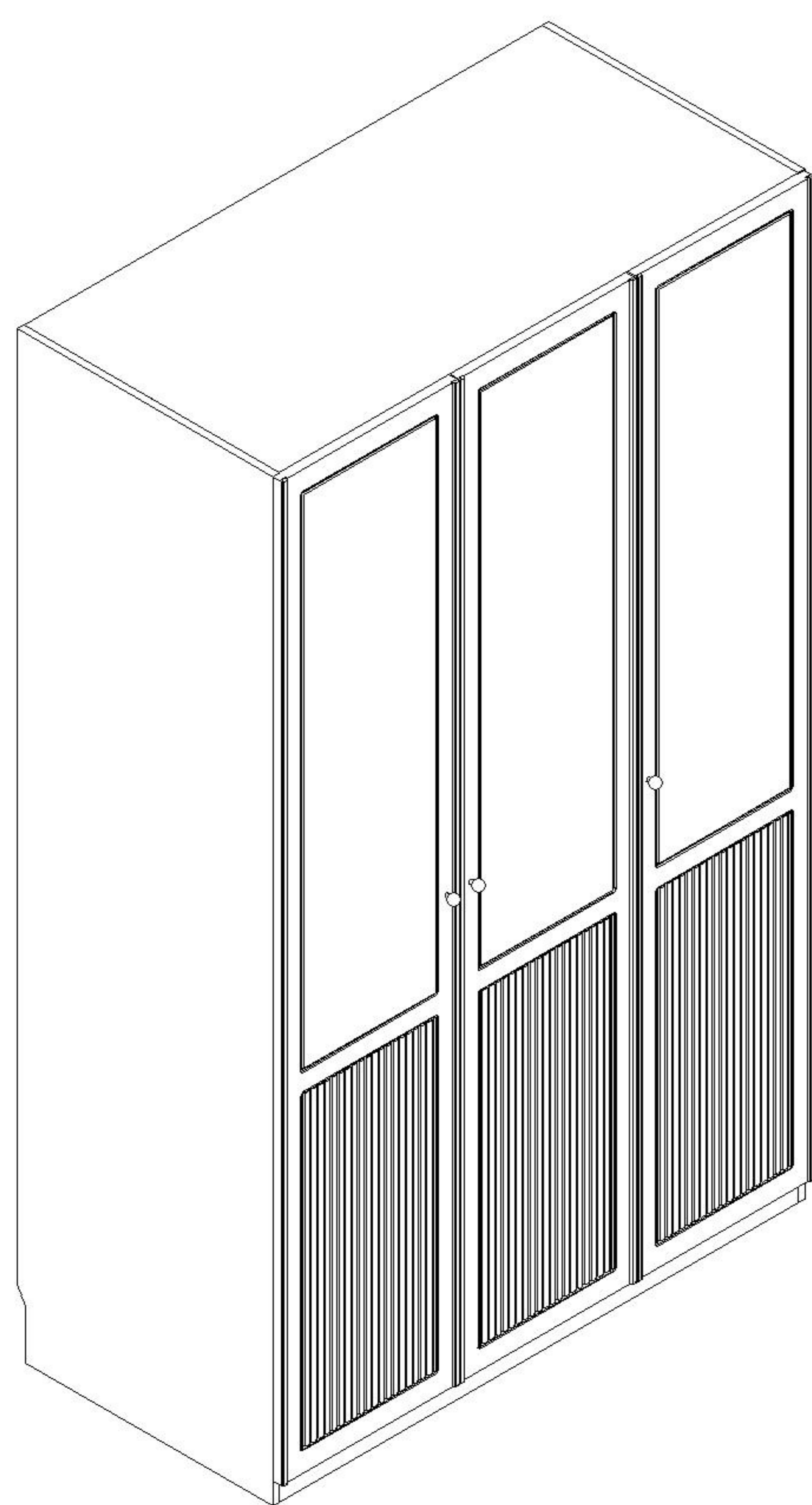
LINSY 林氏家居

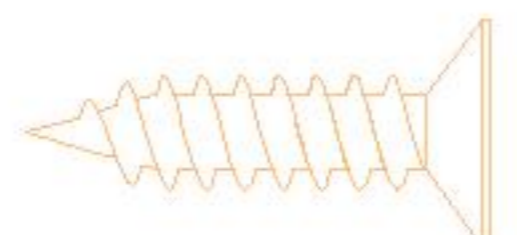
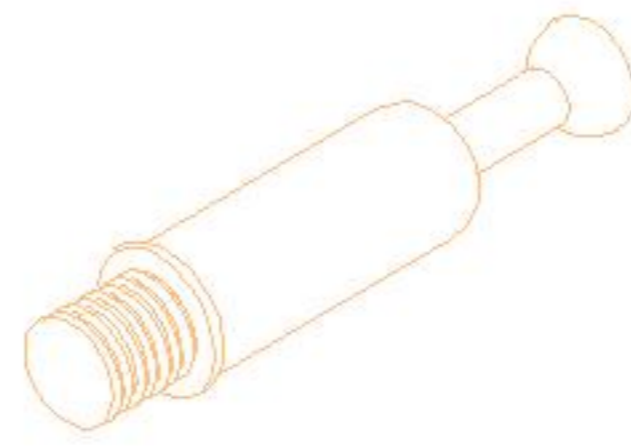


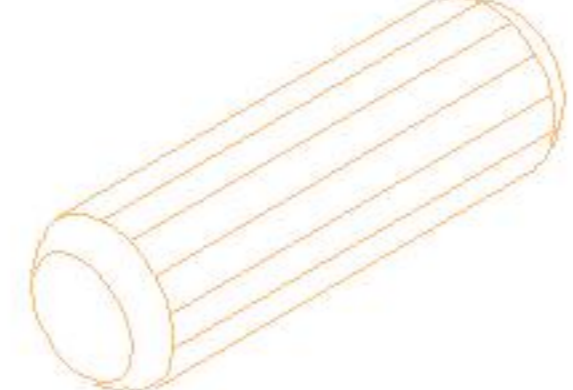
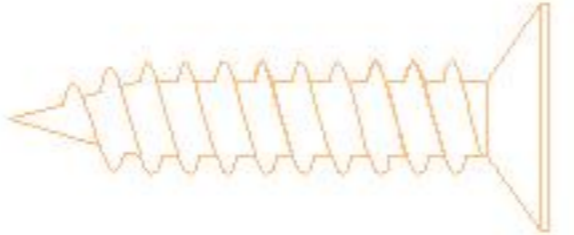
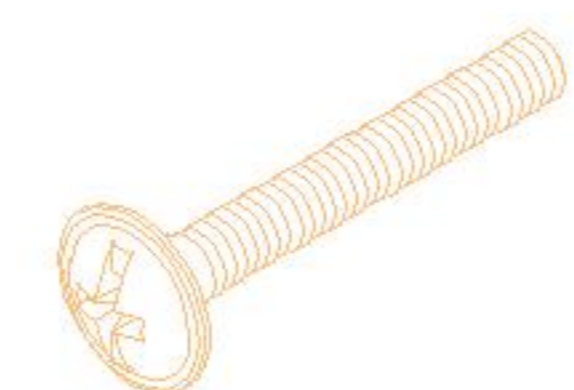
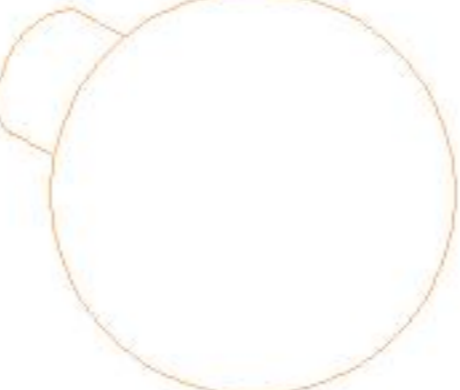
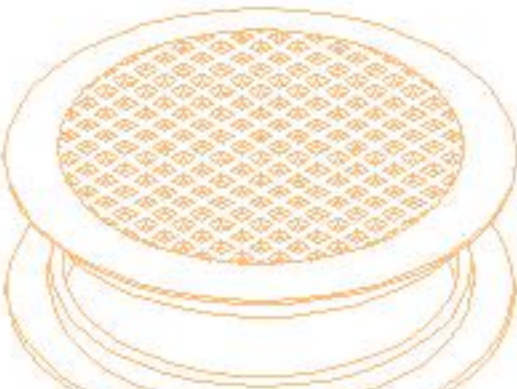
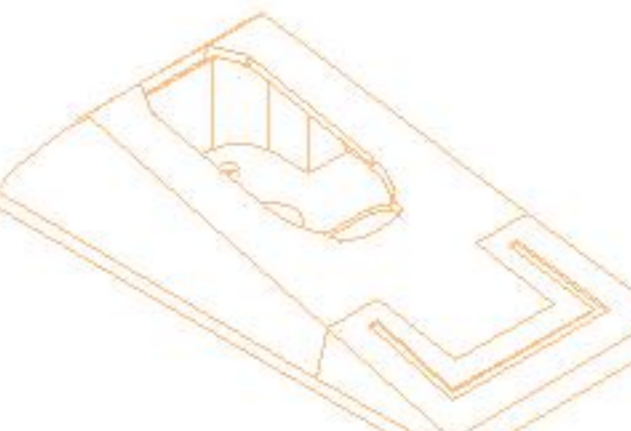
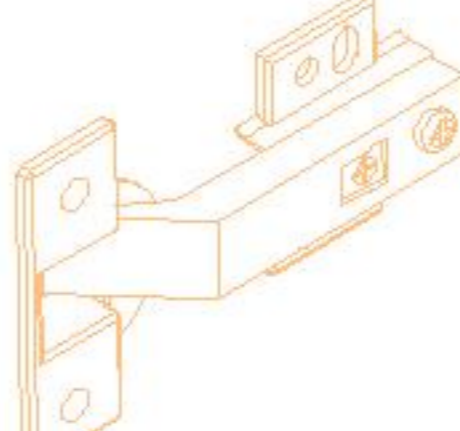
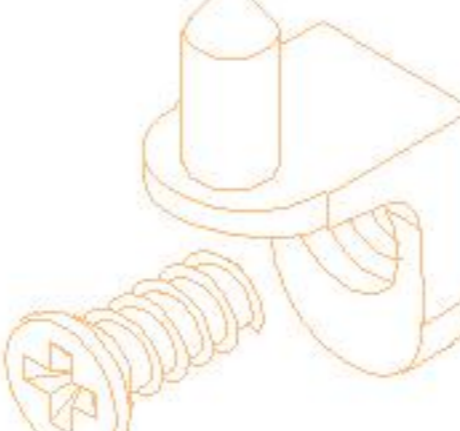

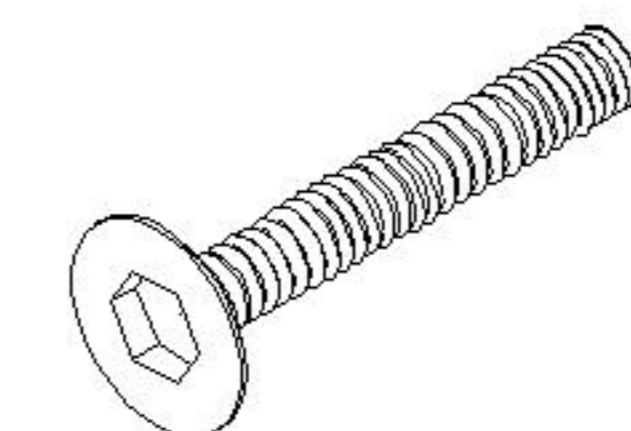



五金表/Hardware list

部件表/Parts List

安装示意图/Assembly Instruction

产品名称 Model NO.	TE9D-A
产品规格 Specification	1194*620.5*2003mm
安装工具 Tool	安装人数 Installer
	

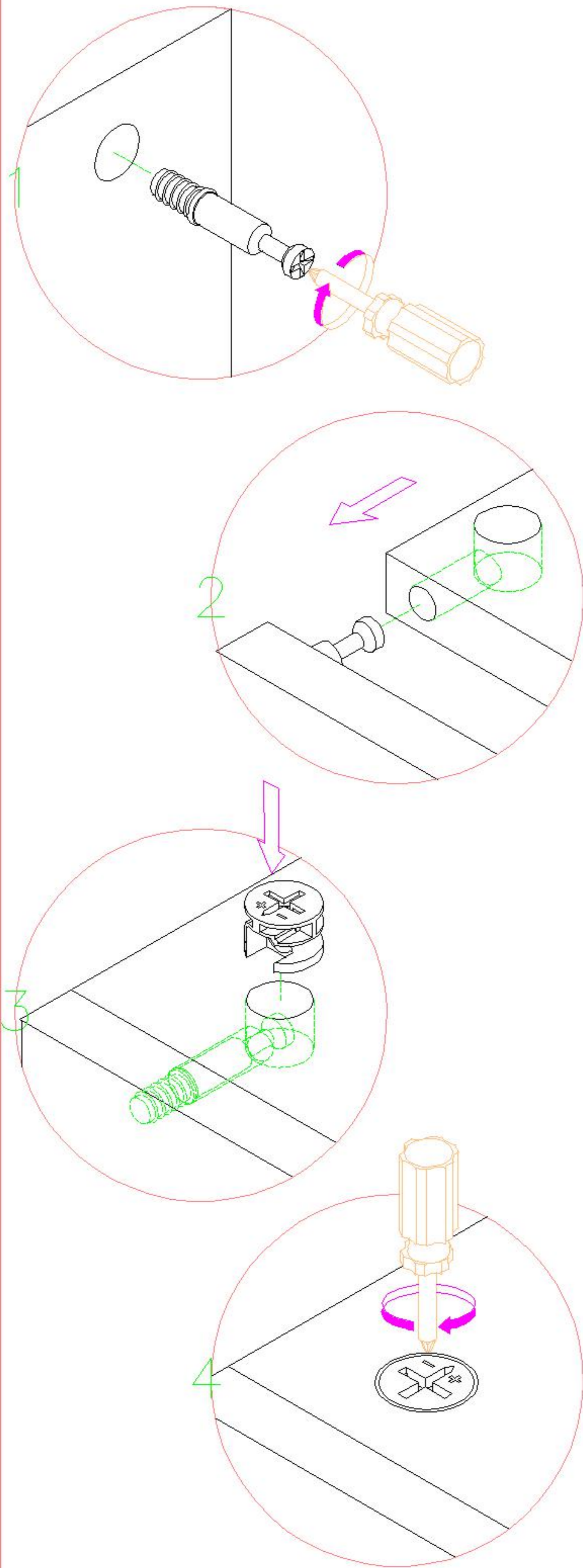


 (A)* 13 自攻螺丝M3.5x12mm Self-tapping screw	 (B)* 48 二合一螺杆 2-in-1-screw	 (C)* 48 大三合一锁饼 Three-in-one large lock	 (D)* 11 背板扣 Back Plate Buckle-White
 (E)* 13 木榫Ø8x30mm wood tenon	 (F)* 11 自攻螺丝M3.5x16mm Self-tapping screw	 (G)* 3 拉手螺丝-M4x22mm pulling screw	 (H)* 3 拉手 Handle
 (I)* 2 透气孔盖-白色 Vent cover - white	 (J)* 6 挂衣托F874-B Clothes hanger	 (K)* 12 缓冲门铰直弯-杯径Ø35 Hinge-straight bending-diameter 35	 (L)* 12 层板托 shelf support
 (M)* 12 脚垫-灰色 Footrest - Grey	 (N)* 2 过山丝-M7x38mm Self-tapping screw galvanized	 (O)* 1 内六角扳手4mm spanner-(4mm) hex	 (P)* 1 挂衣杆-L=375mm Clothes hanging rod
 (Q)* 2 挂衣杆-L=758mm Clothes hanging rod			

编号NO.	名称Name	规格 (mm) Specification	数量QTY	材质Material
①	右侧板 Side board(R)	2000*574*15	1	人造板 WBP
②	左侧板 Side board(L)	2000*574*15	1	人造板 WBP
③	顶板 Top board	1164*574*15	1	人造板 WBP
④	底板 Bottom board	1164*554*15	1	人造板 WBP
⑤	长层板 Long laminate	765*532*15	1	人造板 WBP
⑥	活动层板 Movable shelf	382*532*15	2	人造板 WBP
⑦	中侧板 Middle side board	1912*534*15	1	人造板 WBP
⑧	边背拉条 Side back brace	1912*140*15	2	人造板 WBP
⑨	背拉条 Back brace	1912*140*15	1	人造板 WBP
⑩	大背板 Big backboard	1922*575*5	1	人造板 WBP
⑪	小背板 Small sack board	1922*191*5	1	人造板 WBP
⑫	长脚条 Long foot slat	1164*58*15	2	人造板 WBP
⑬	中脚条 Middle foot strip	522*58*15	1	人造板 WBP
⑭	左门板 Door board(L)	1950*396*22	1	吸塑板Blister board
⑮	右门板 Door board(R)	1950*396*22	2	吸塑板Blister board

TE9D-A

安装方法/
Installation method



大二合一
two-in-one

(B)*2



(C)*2



(M)*8



(B)*8



(C)*8



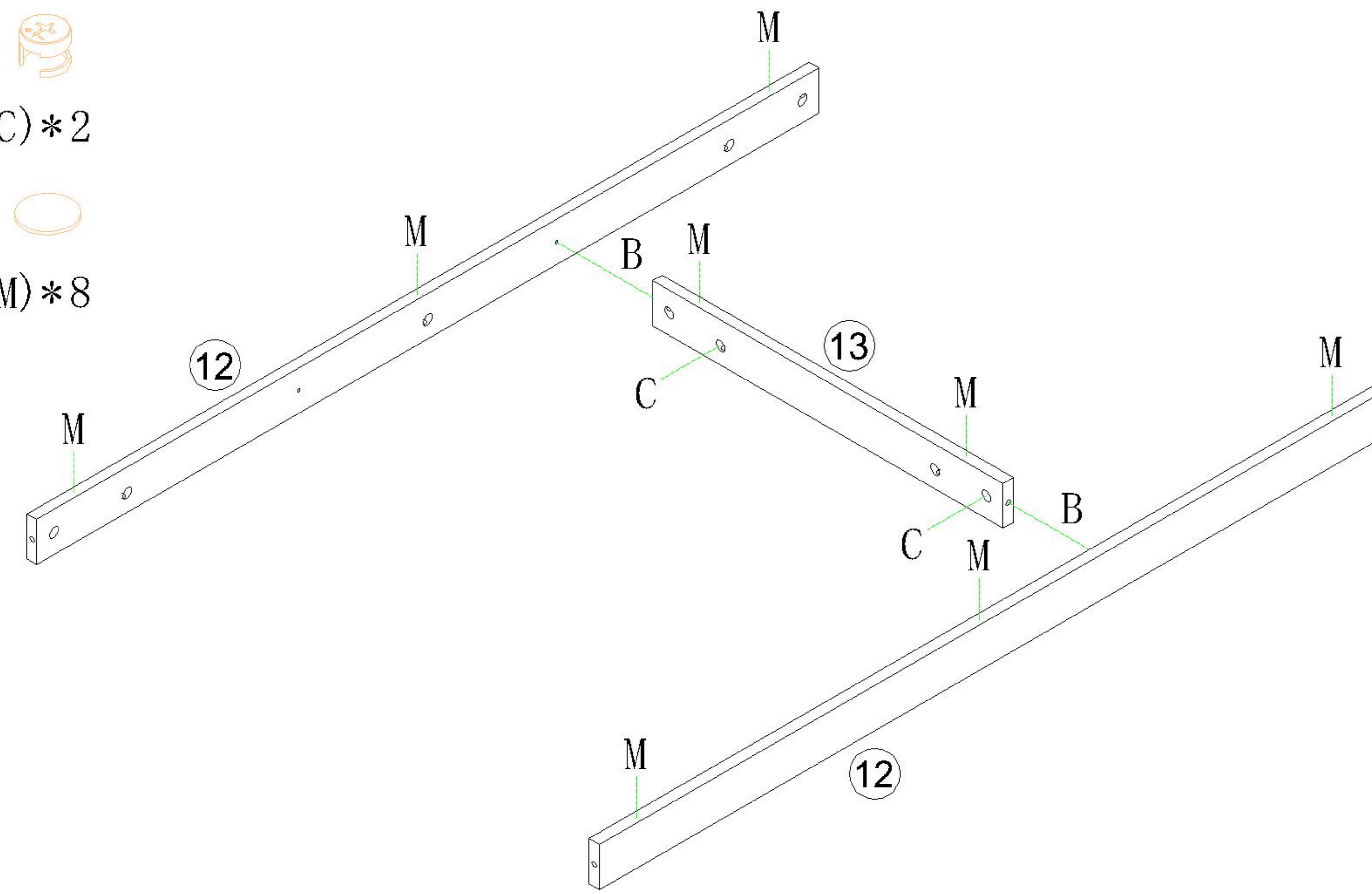
(E)*2



(N)*2



(O)*1

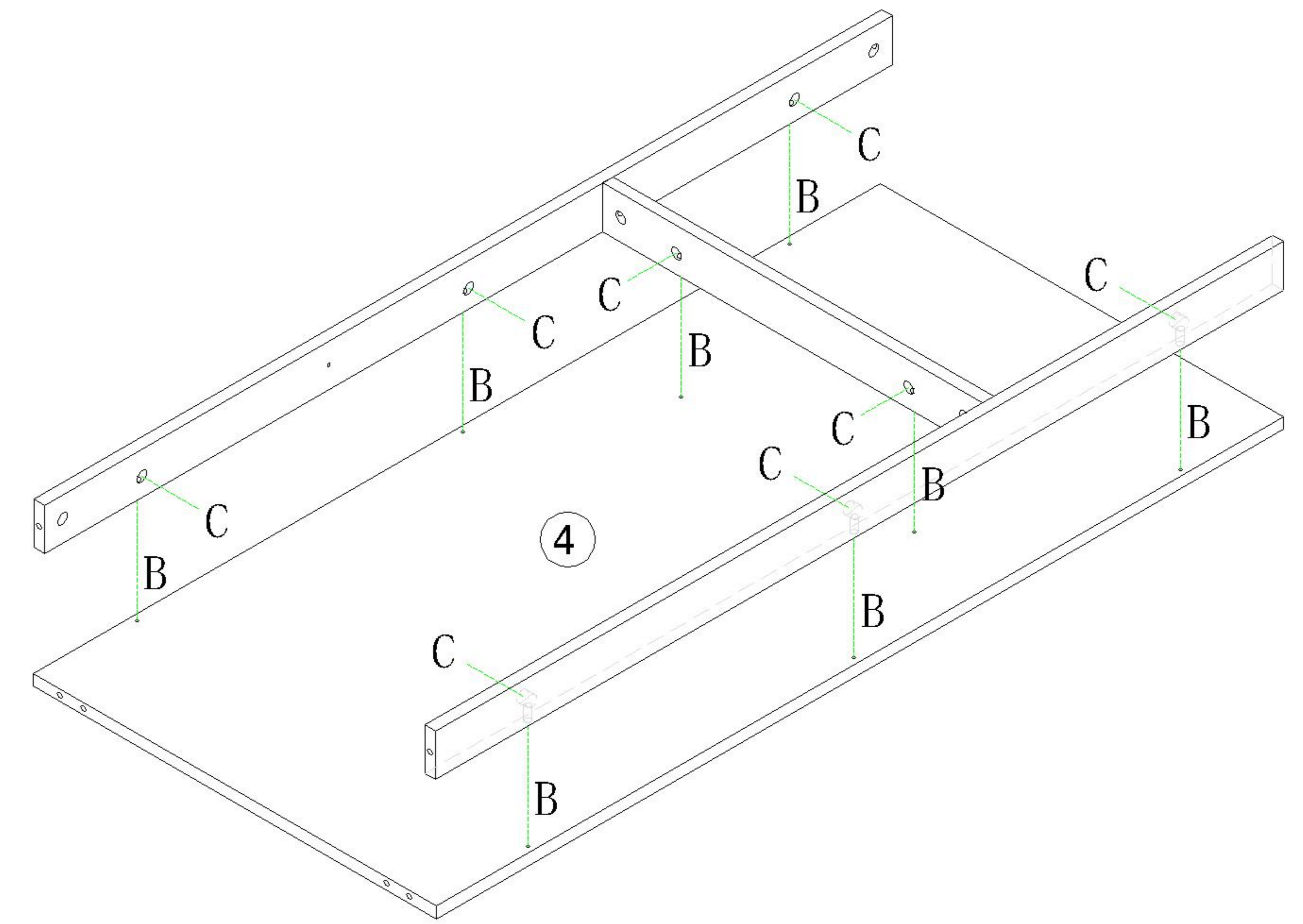


1

(B)*8



(C)*8



2

3

(B)*8



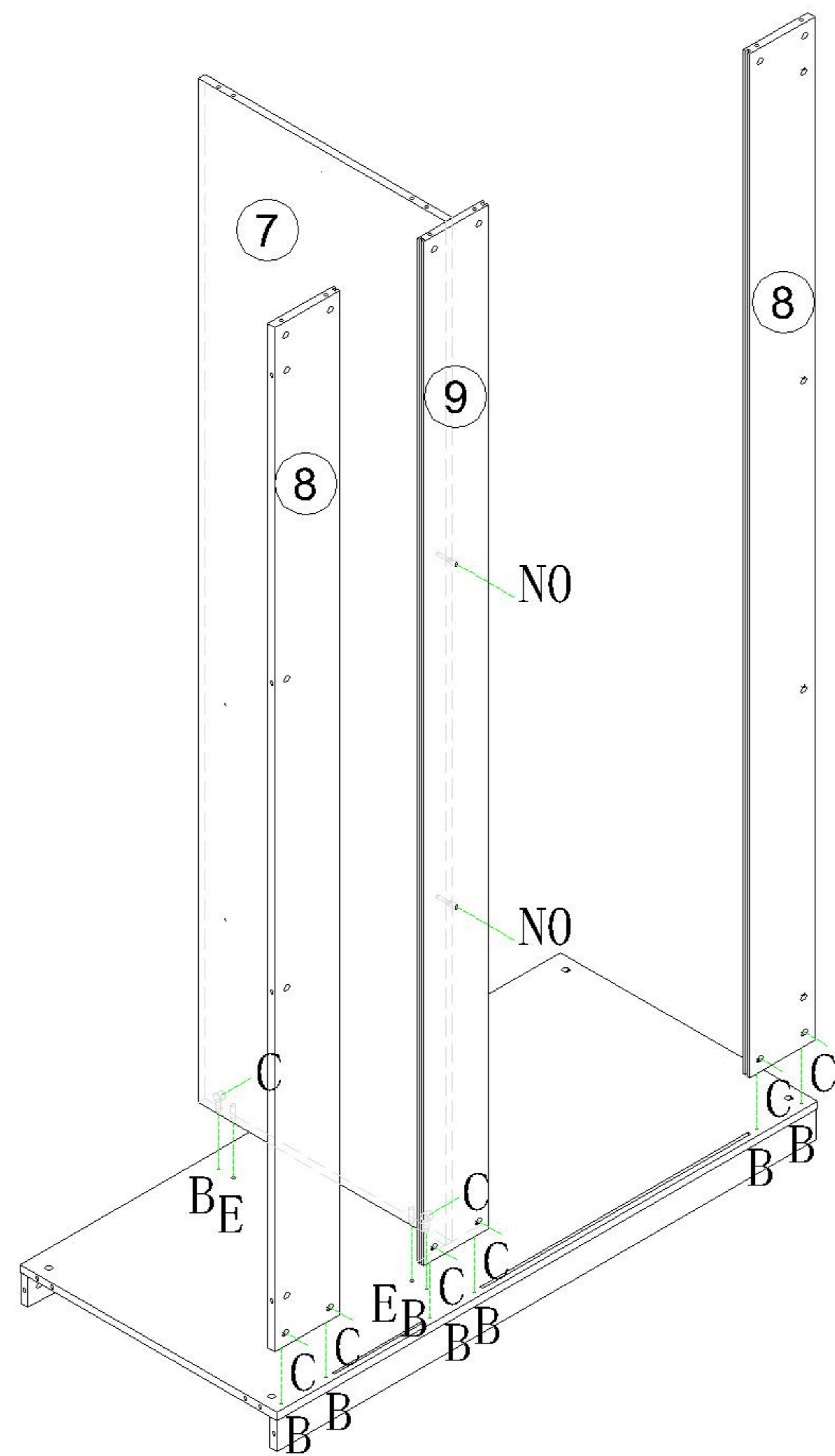
(C)*8



(E)*2



(I)*2



4

(B)*8



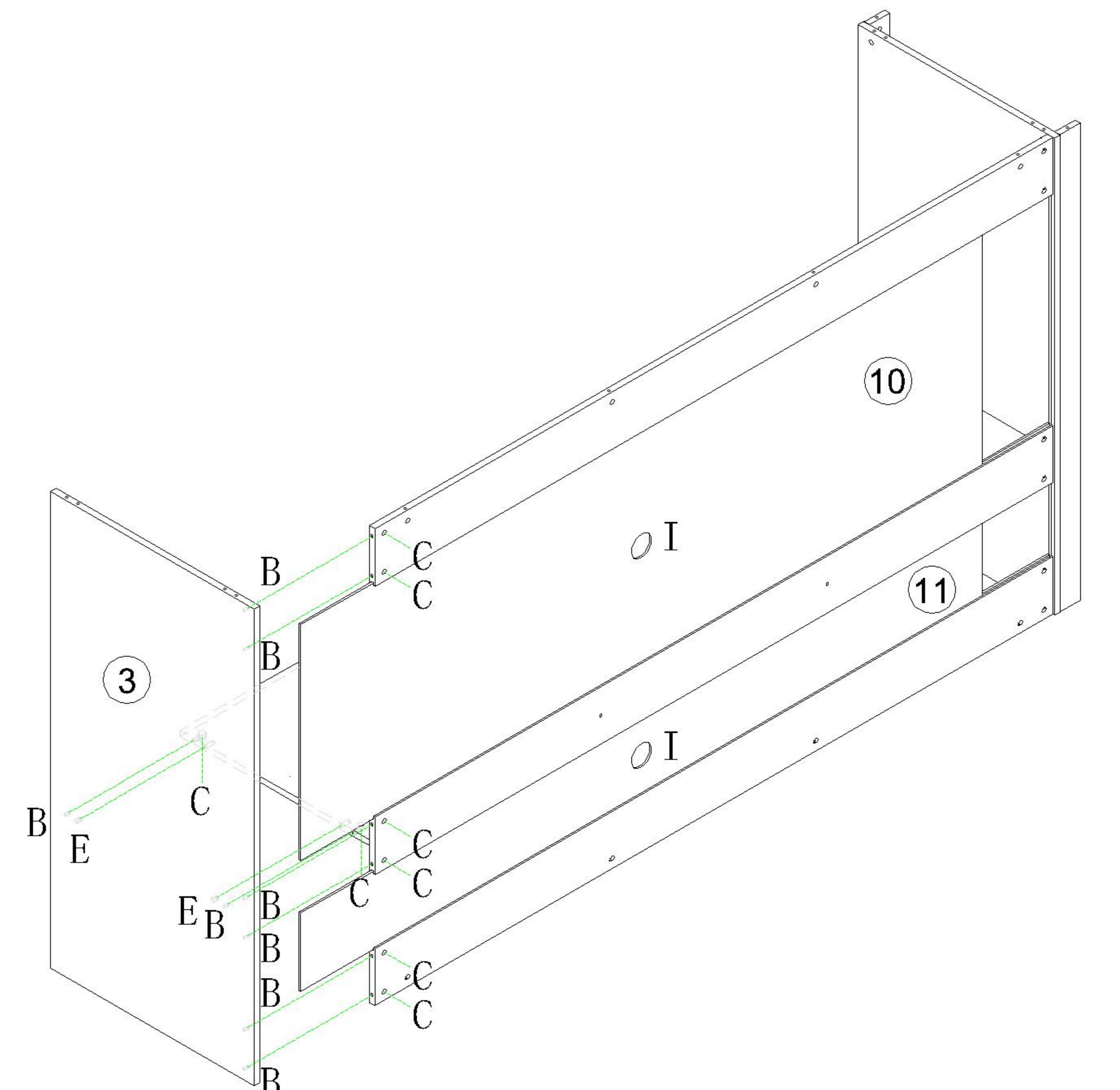
(C)*8



(E)*2

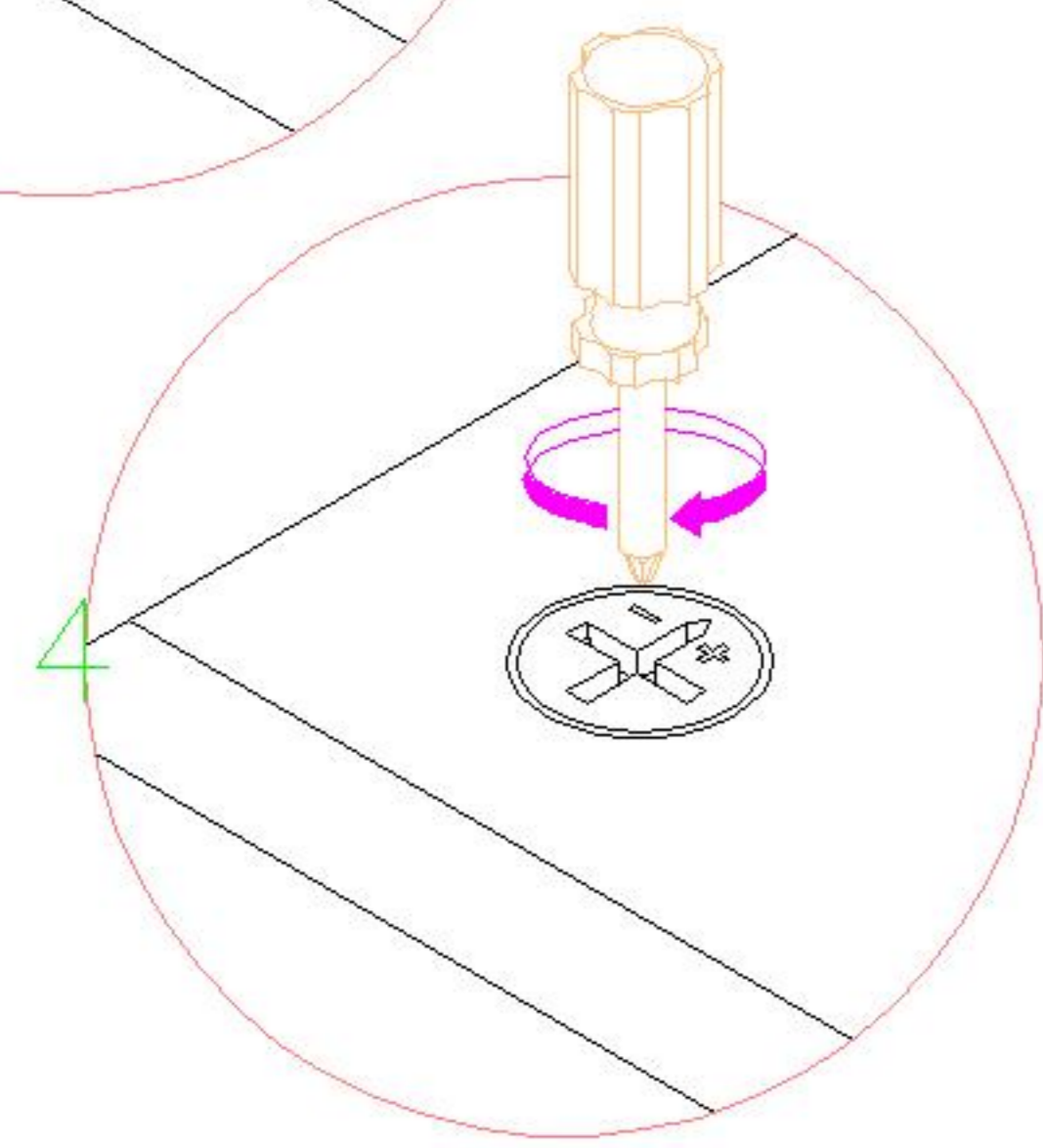
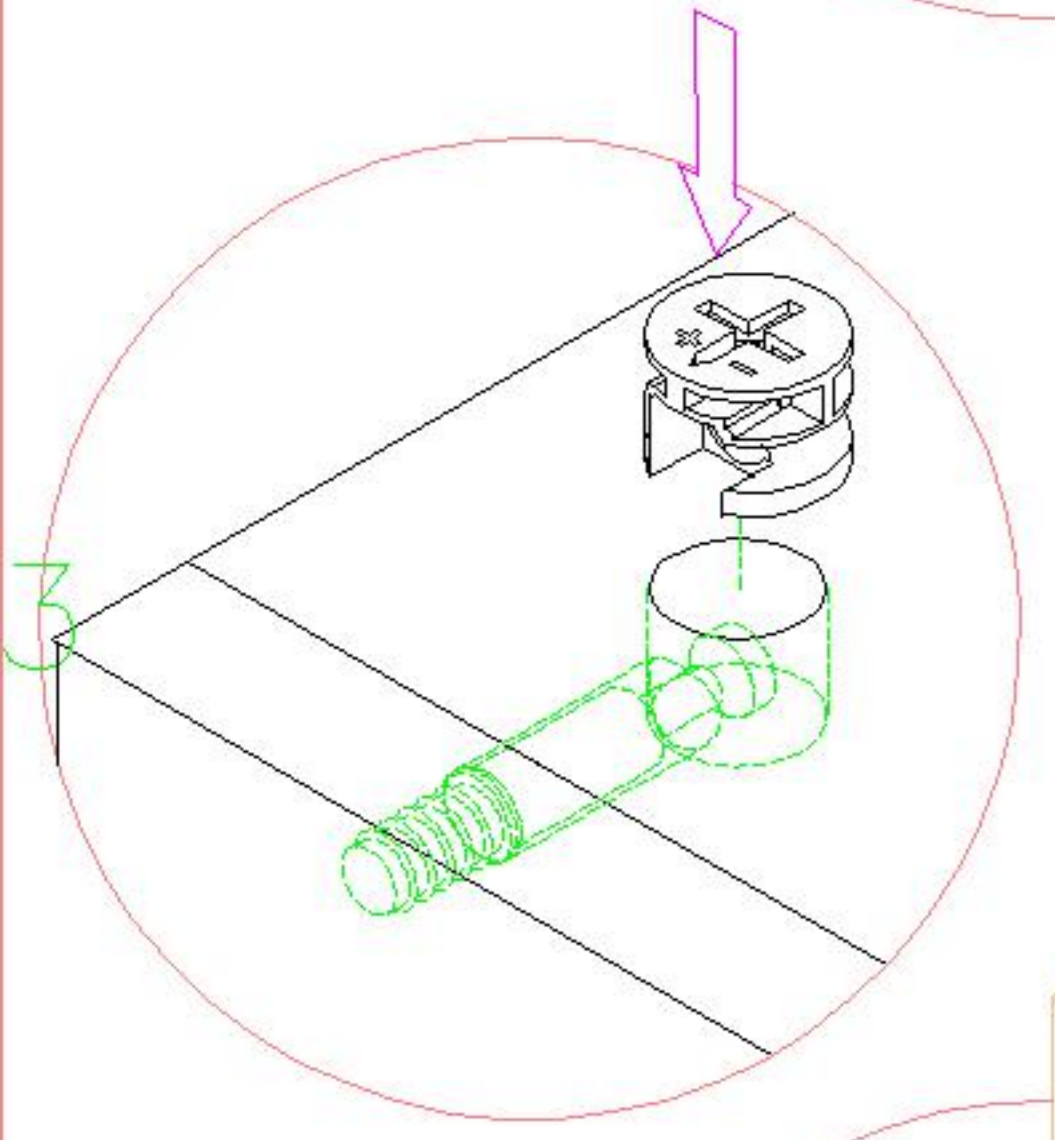
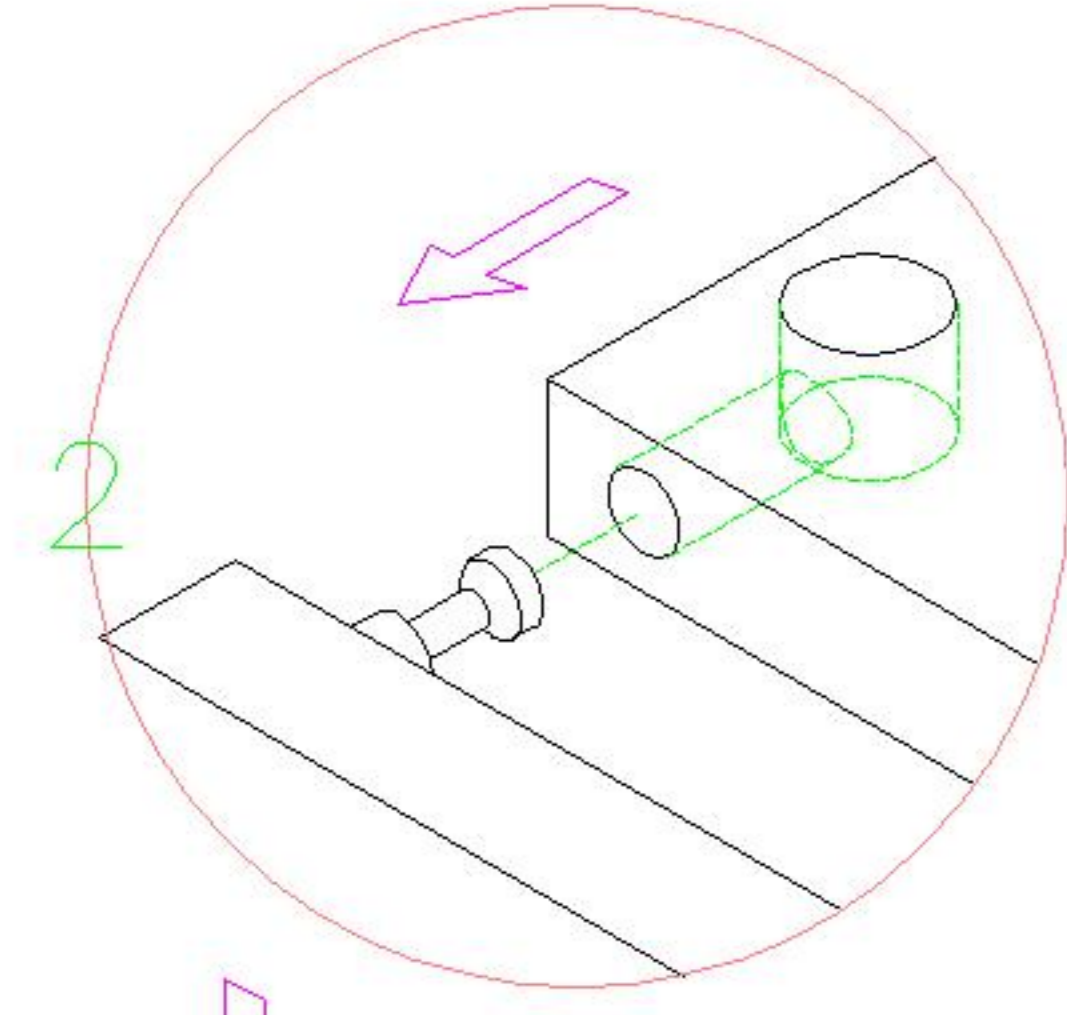
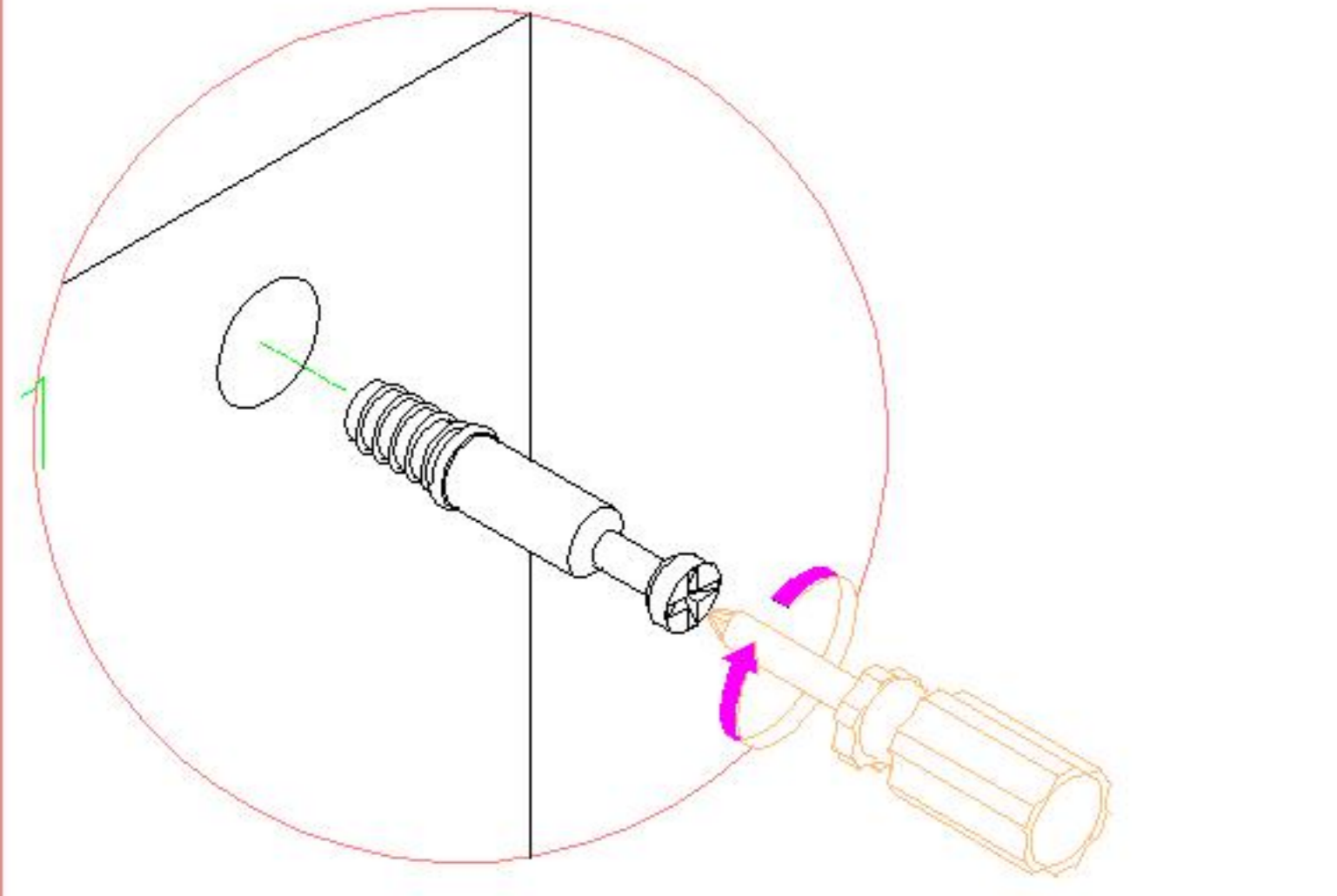


(I)*2

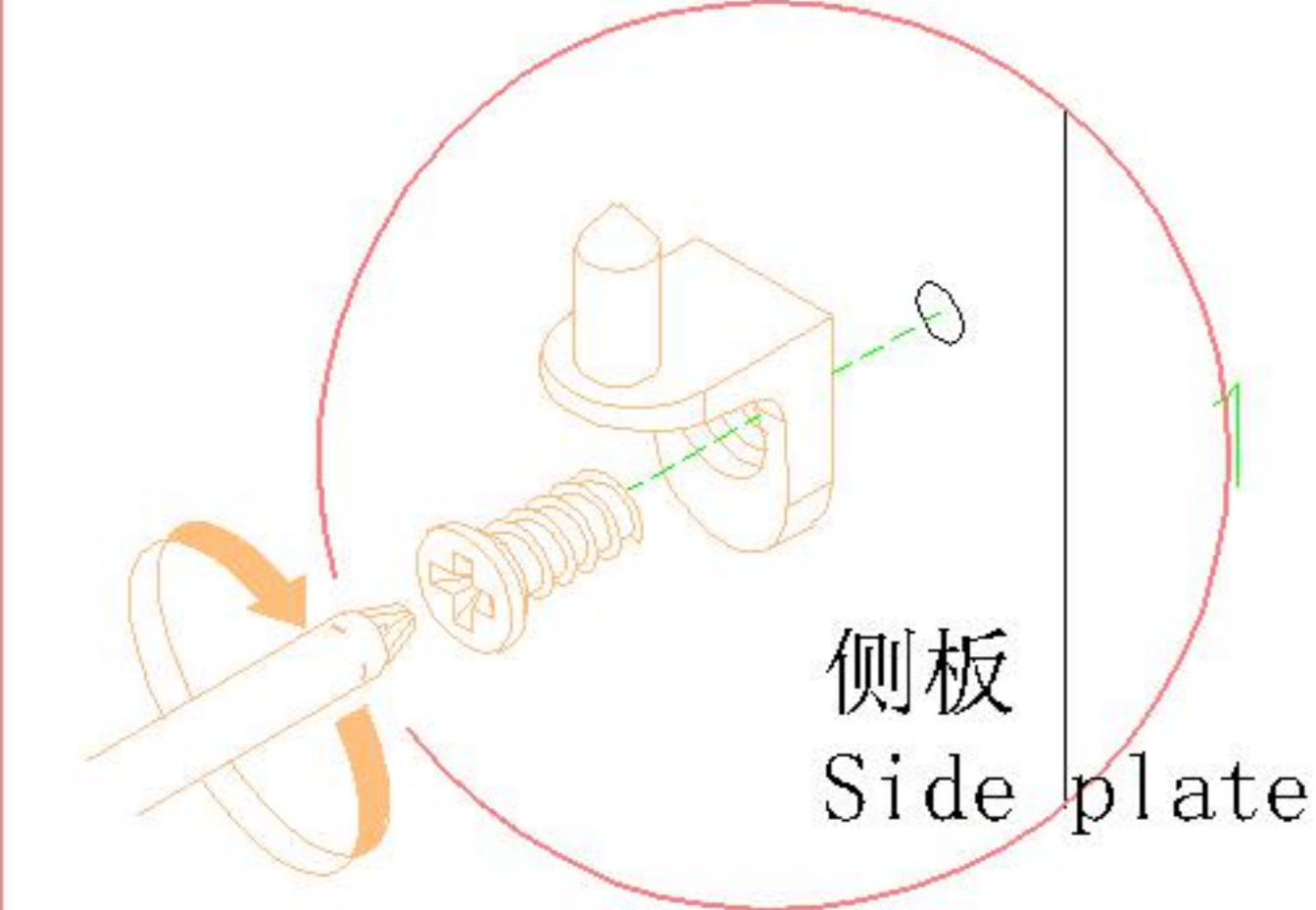


TE9D-A

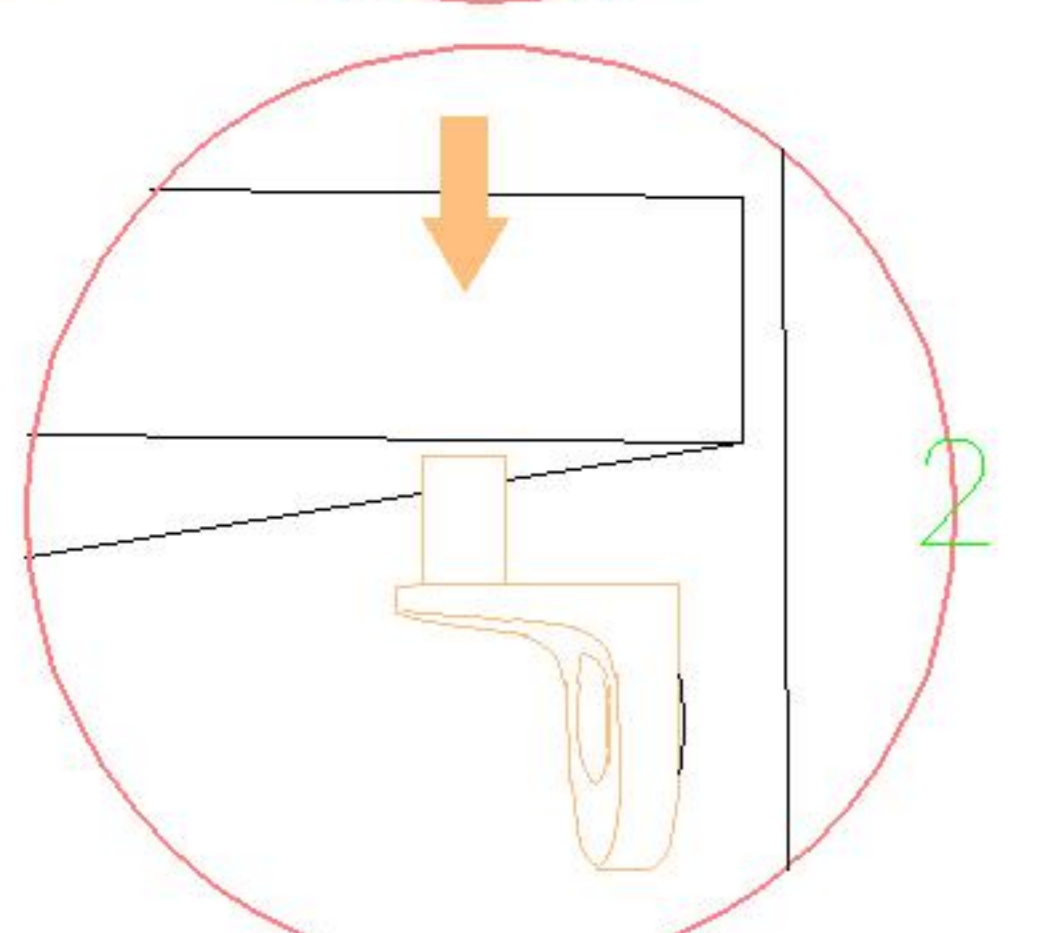
安装方法/
Installation method



大二合一
two-in-one



侧板
Side plate



层板托5mm
shelf support

(B)*10



(C)*10



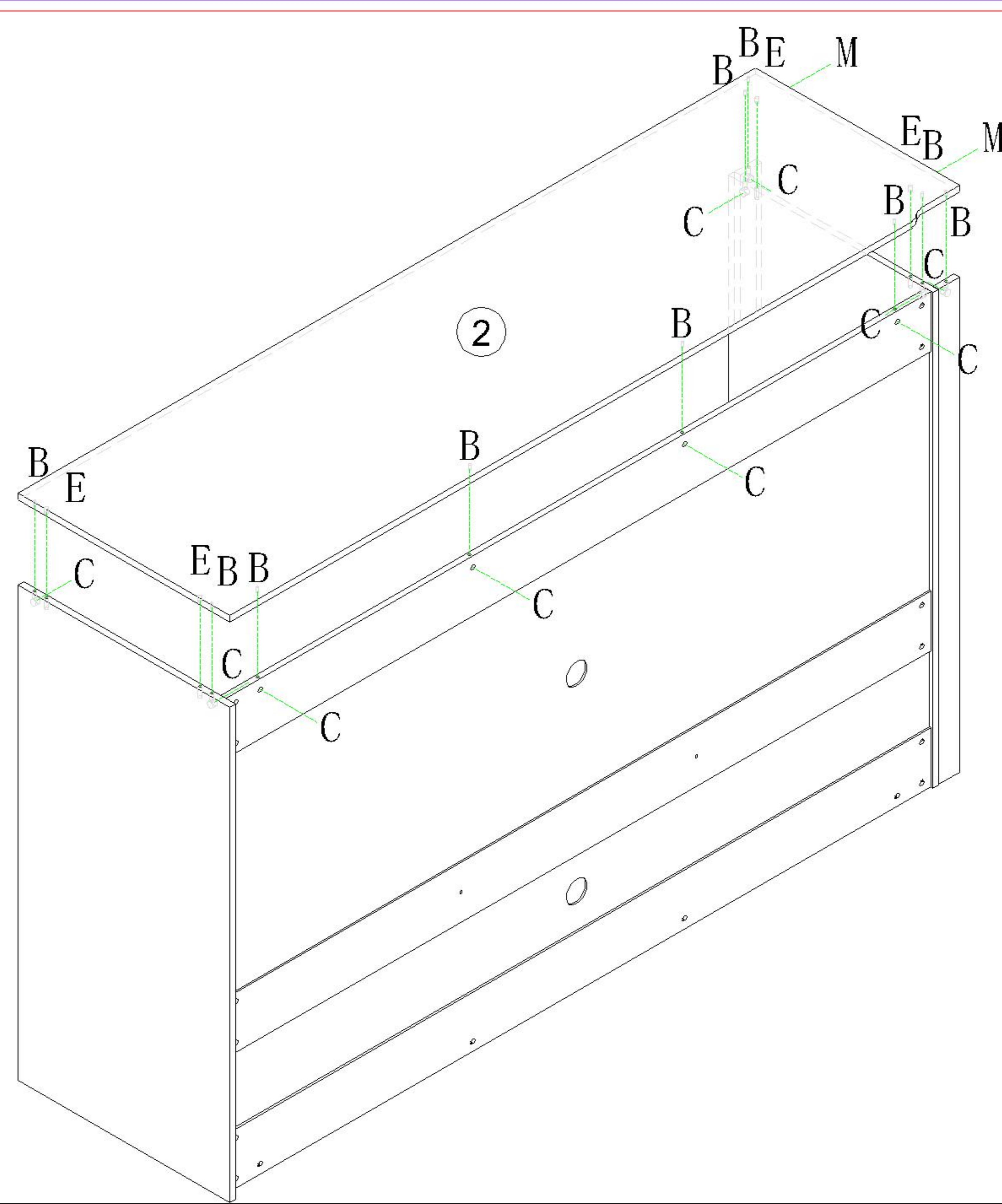
(E)*4



(M)*2



(L)*12



5

(B)*10



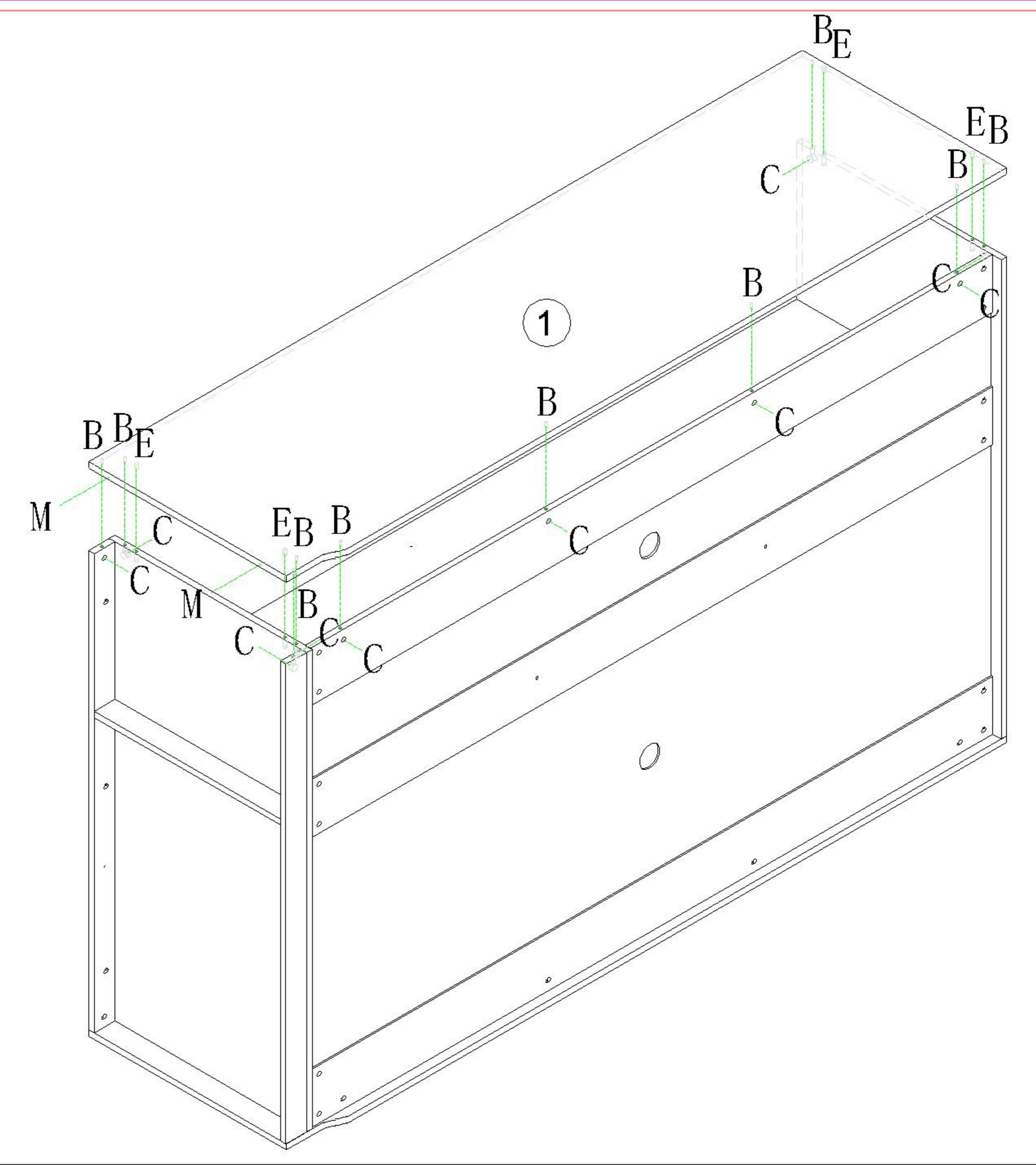
(C)*10



(E)*4

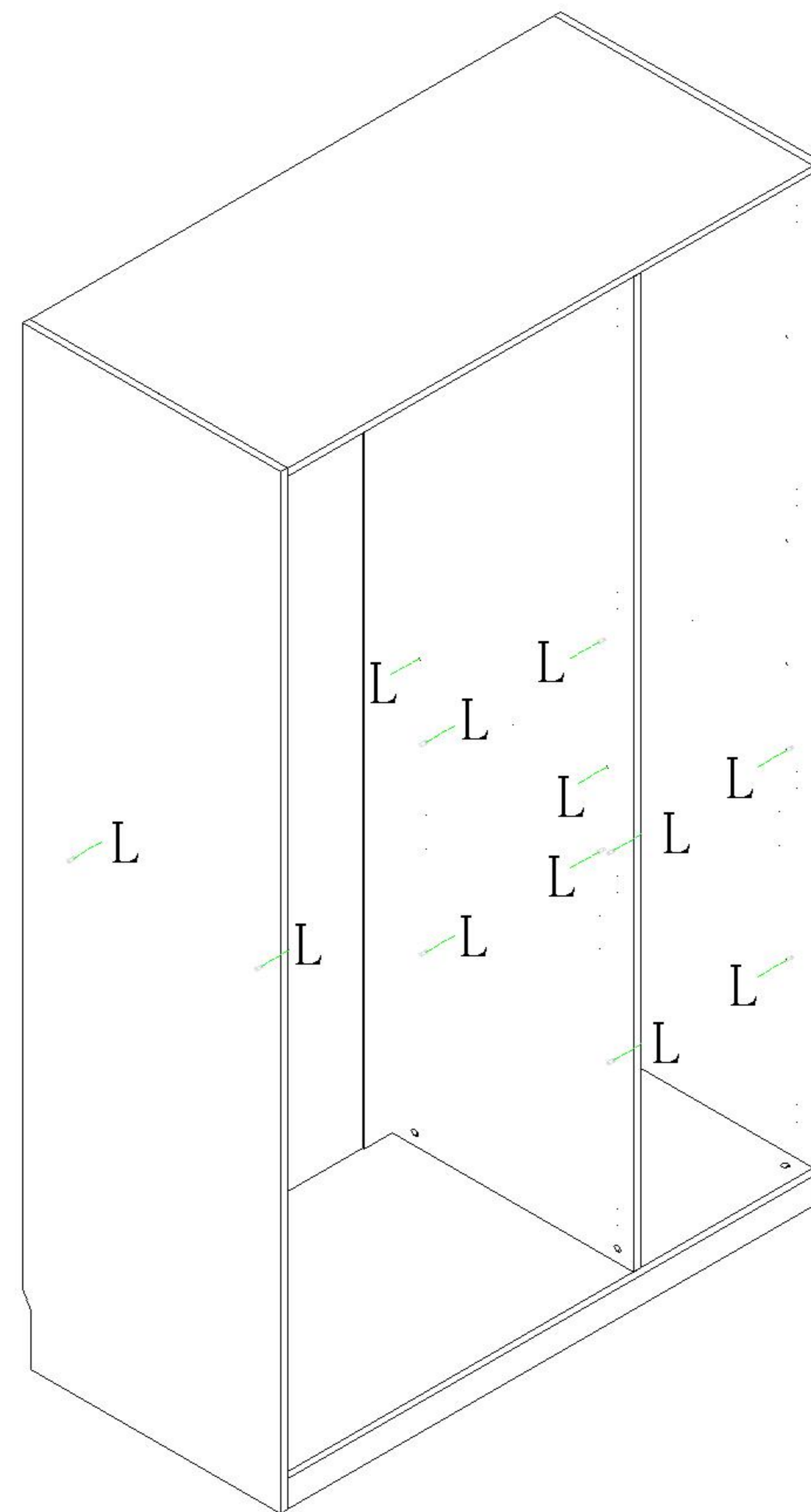


(M)*2

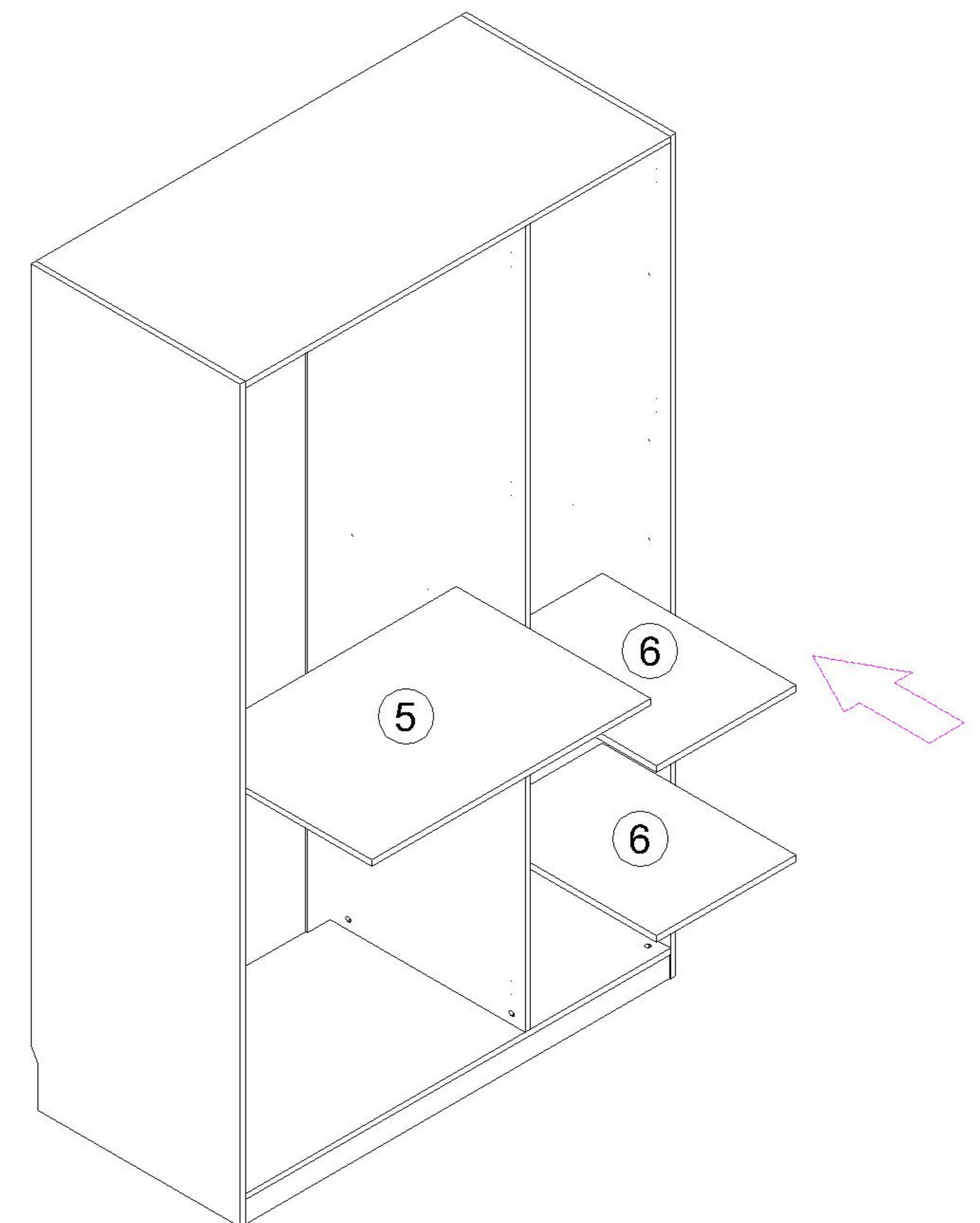


6

7



8



TE9D-A

安装方法/
Installation method

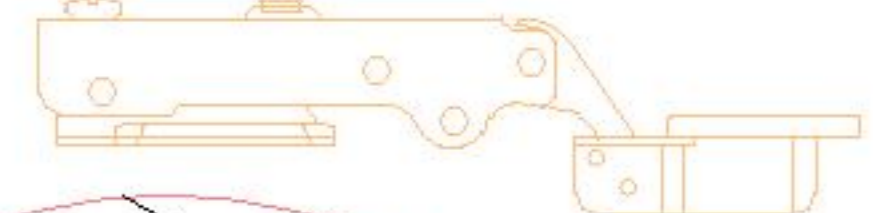
大弯big bend



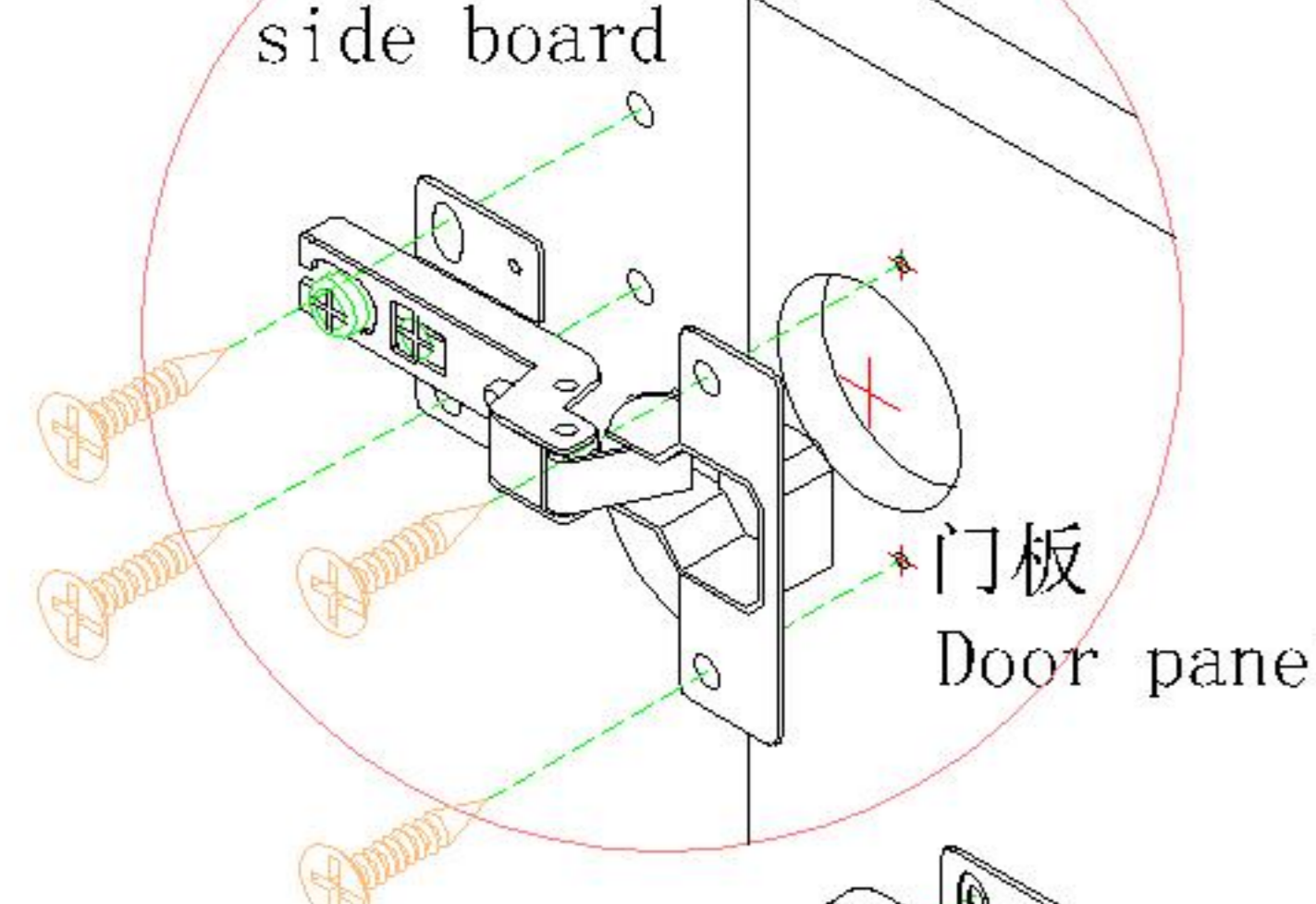
中弯middle bending



直弯straight bending

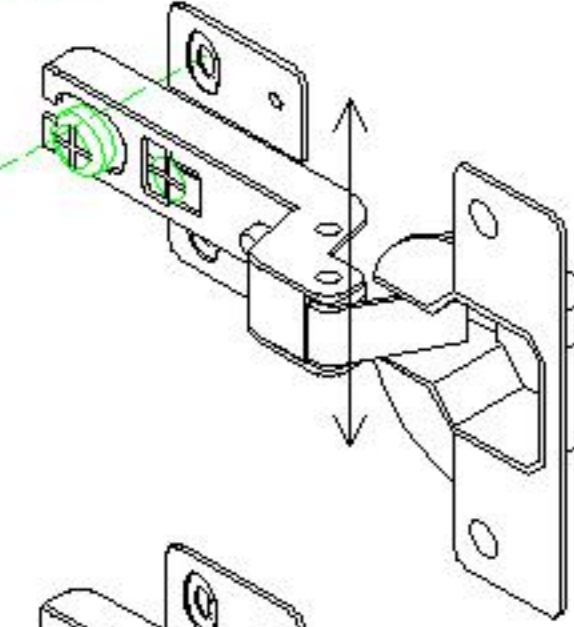


侧板
side board

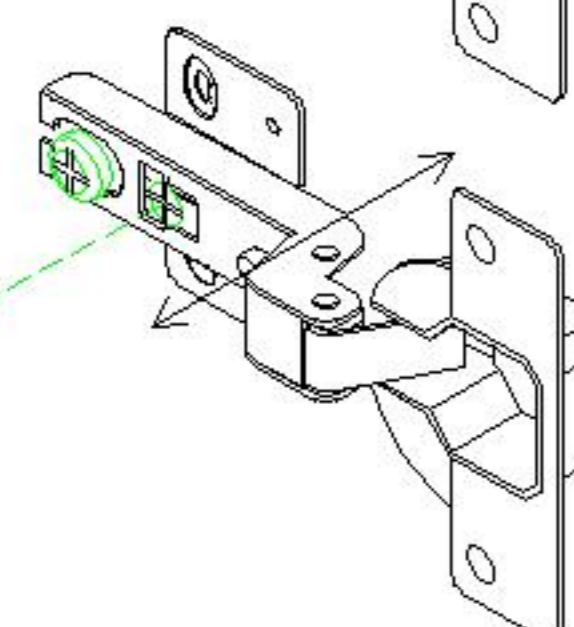


门板
Door panel

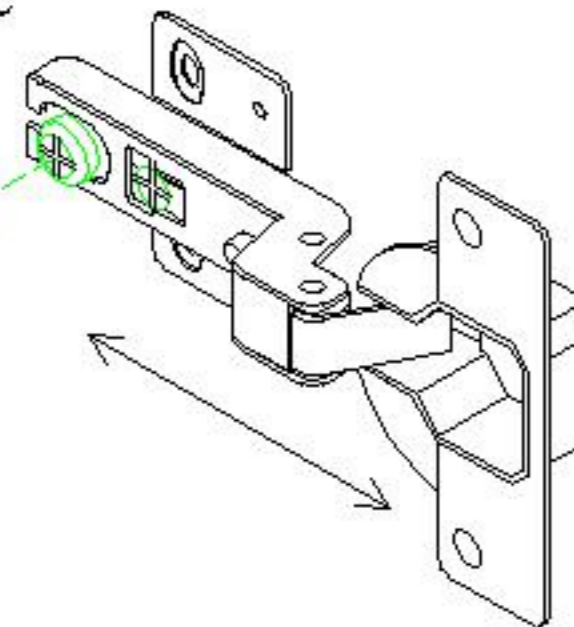
调节上下
Adjust up and down



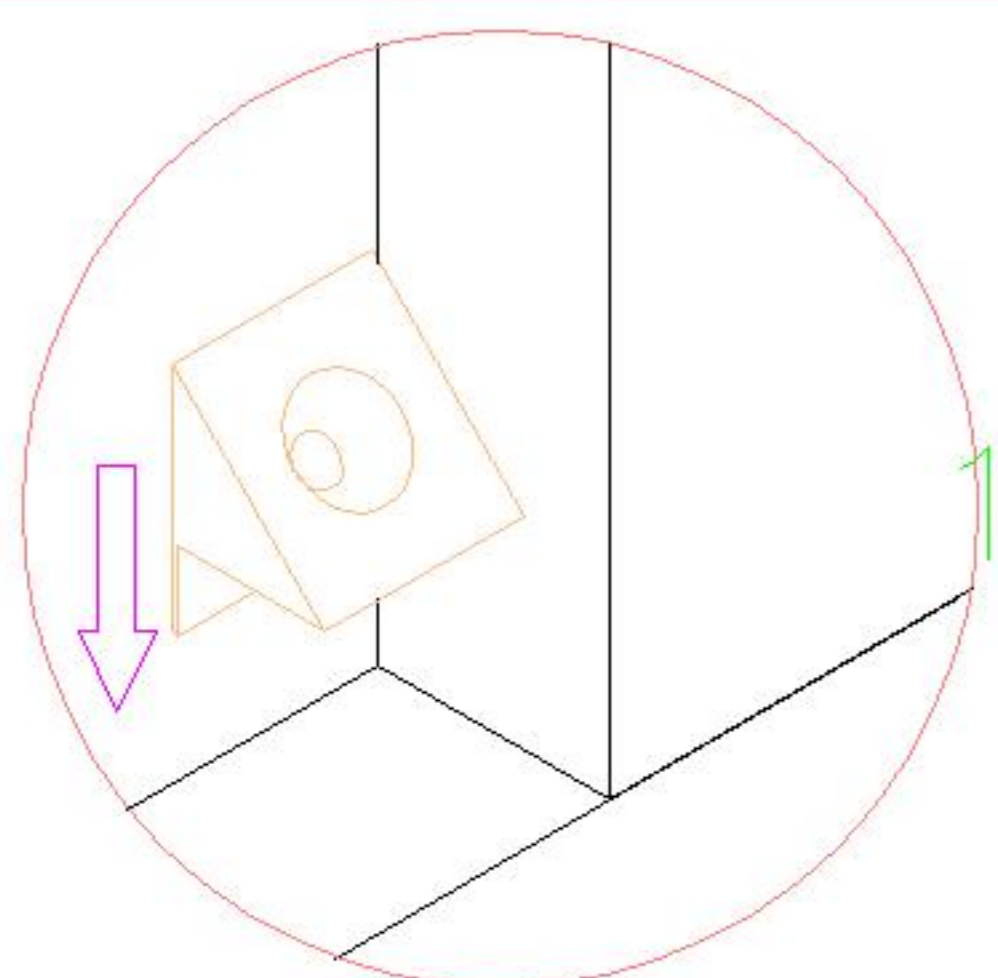
调节左右
Adjust left and right



调节前后
Before and after adjustment



门铰
Hinge



背板扣

Back Plate Buckle-White

(A)*12



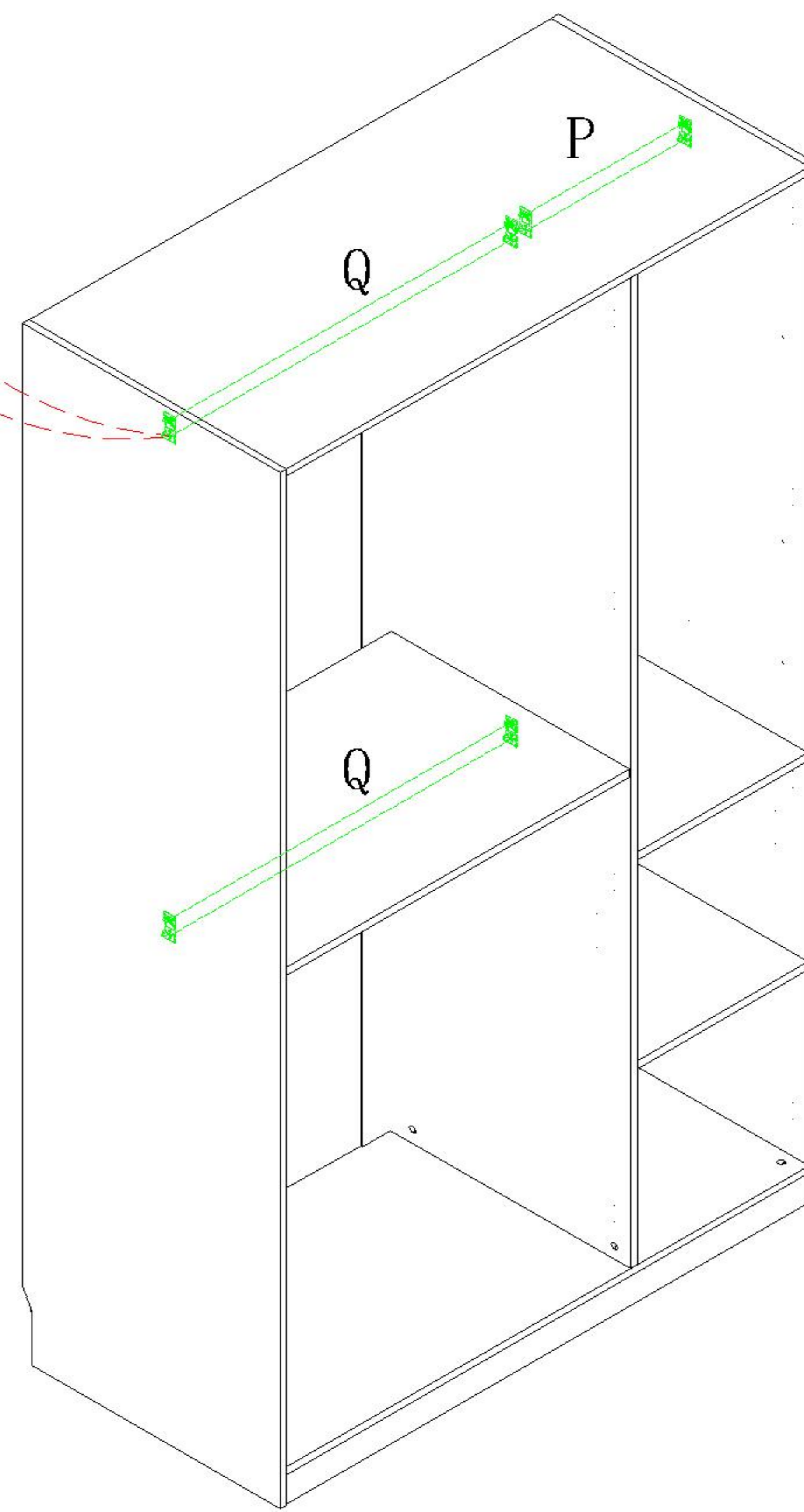
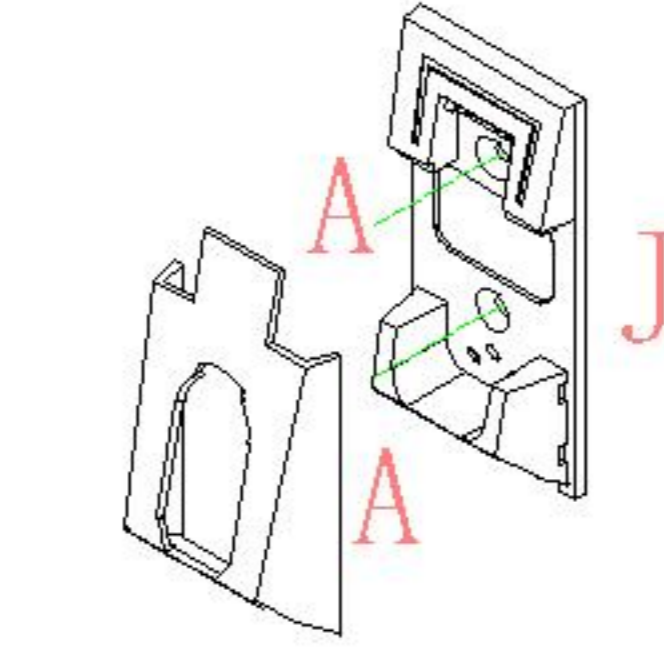
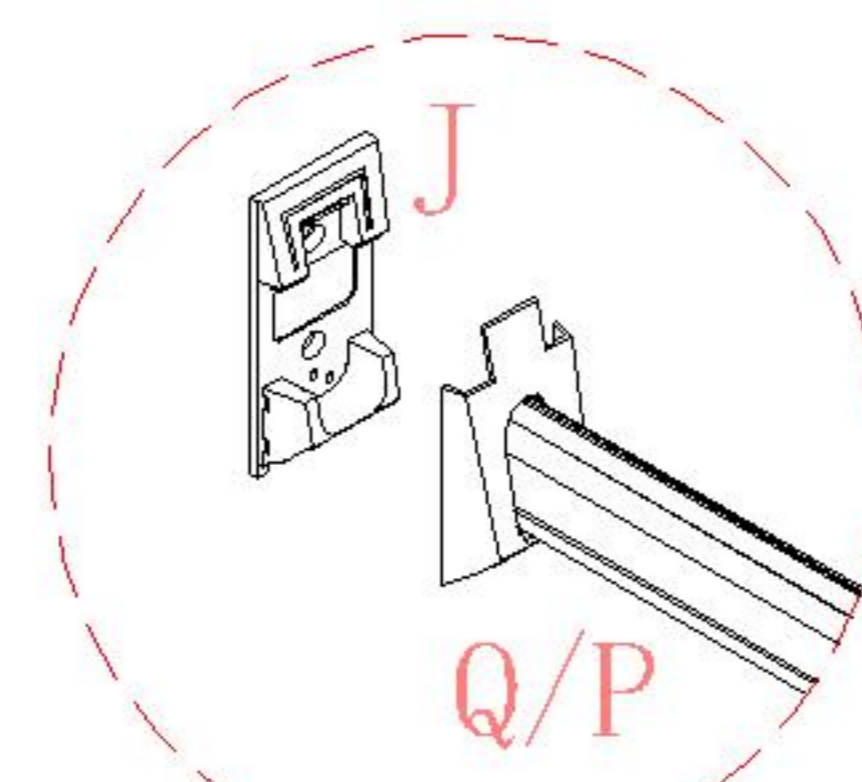
(J)*6



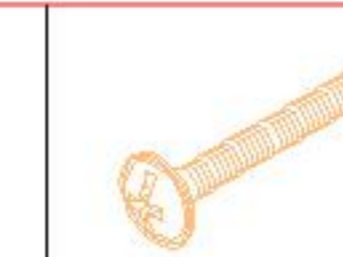
(Q)*2



(P)*1



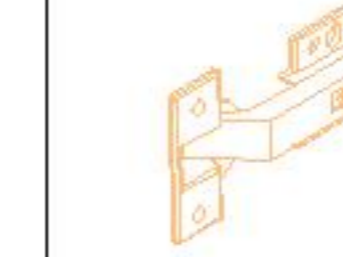
9



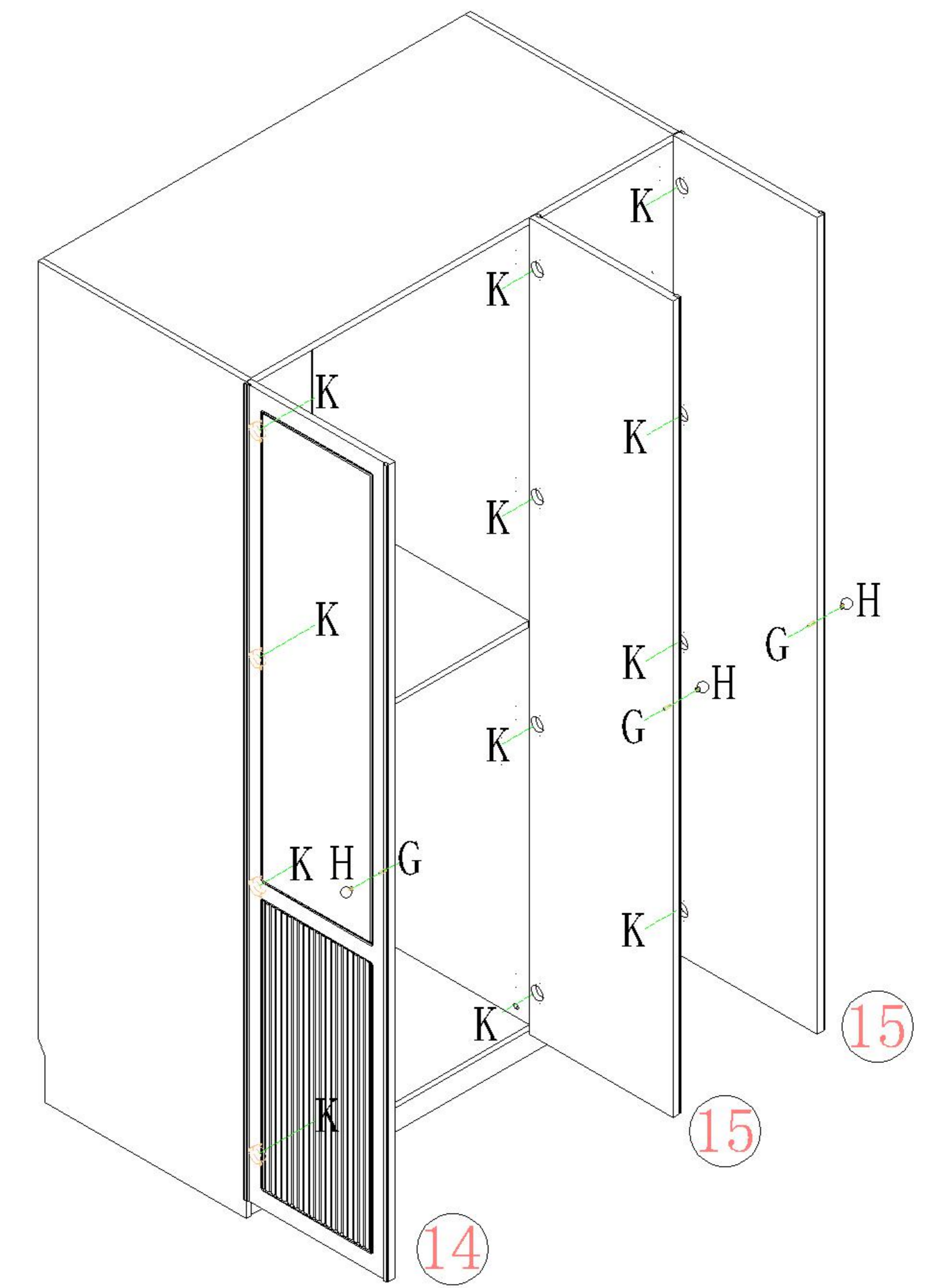
(G)*3



(H)*3

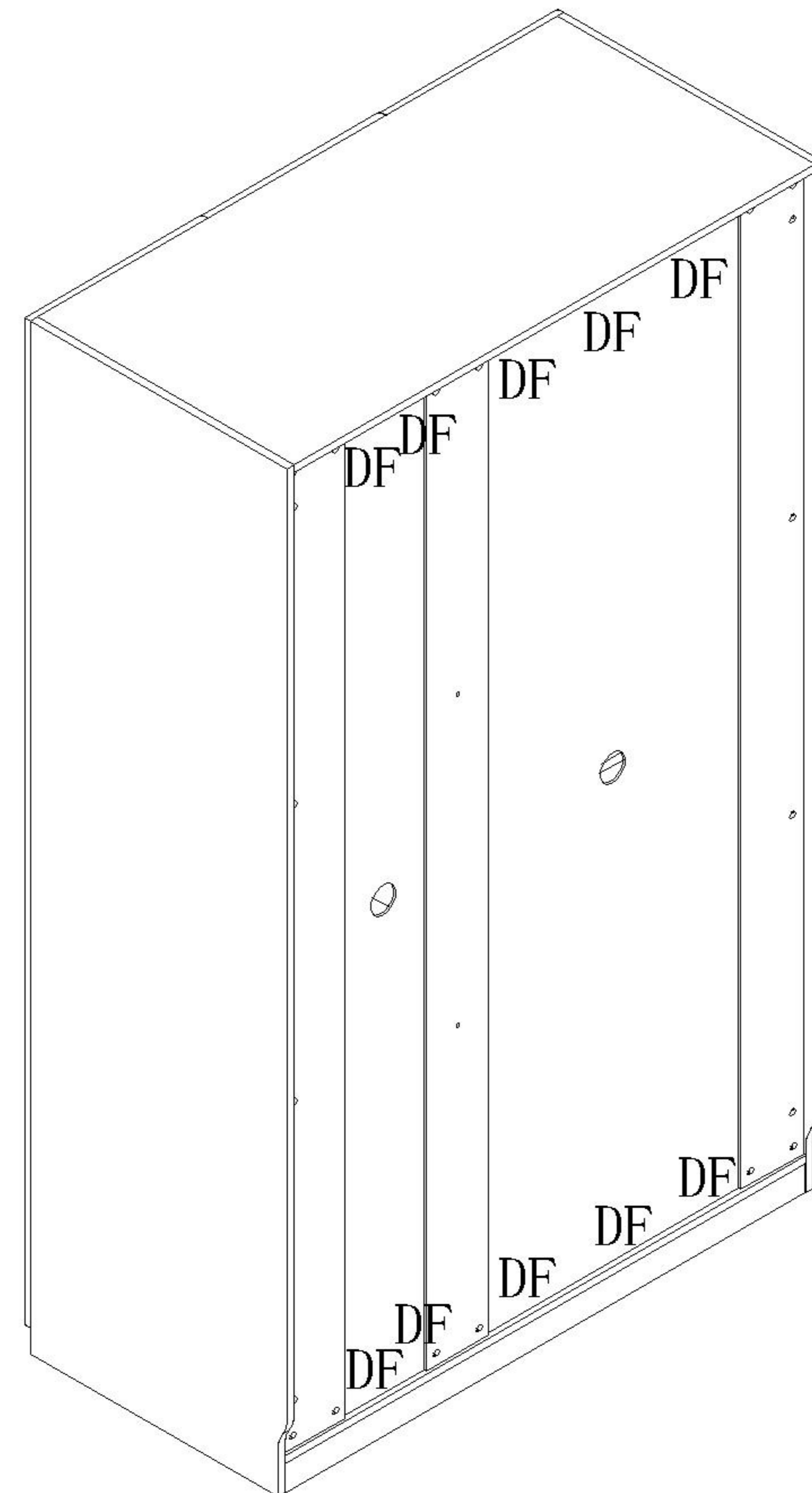


(K)*12



10

11



12

