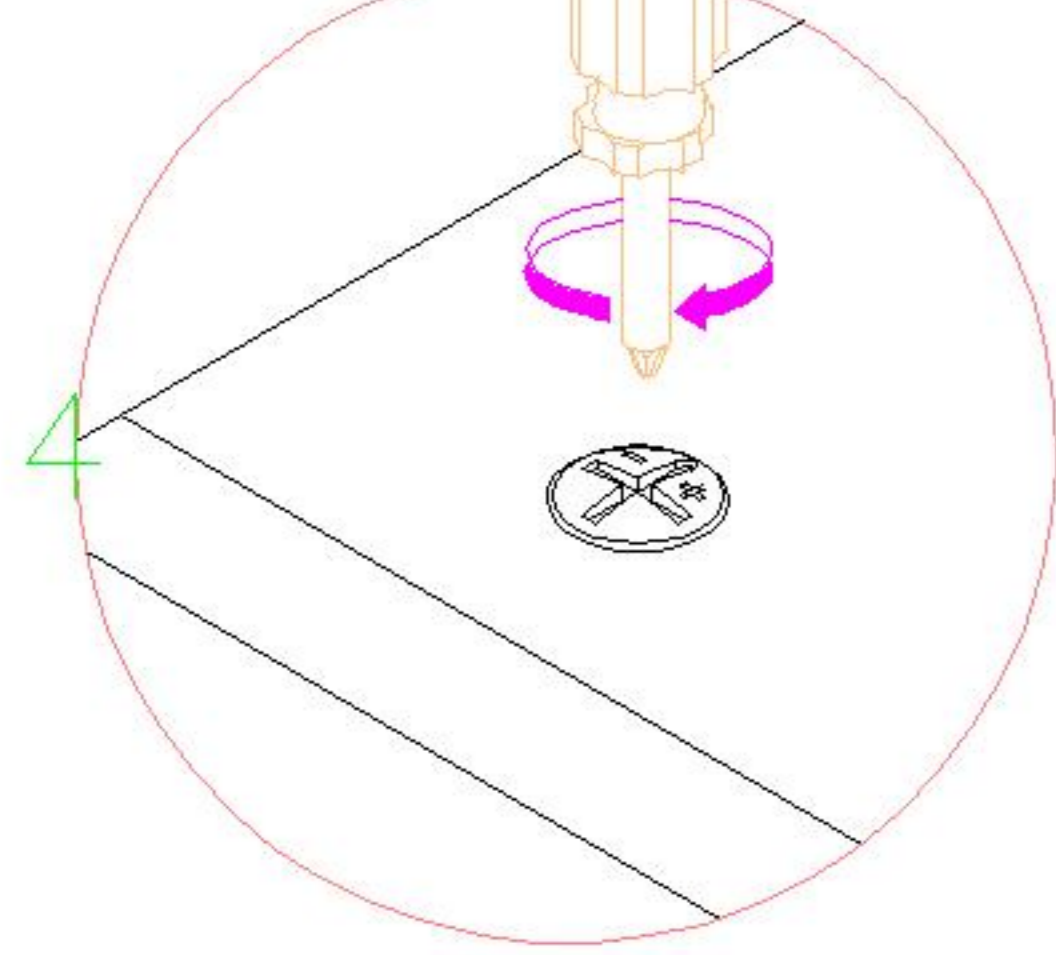
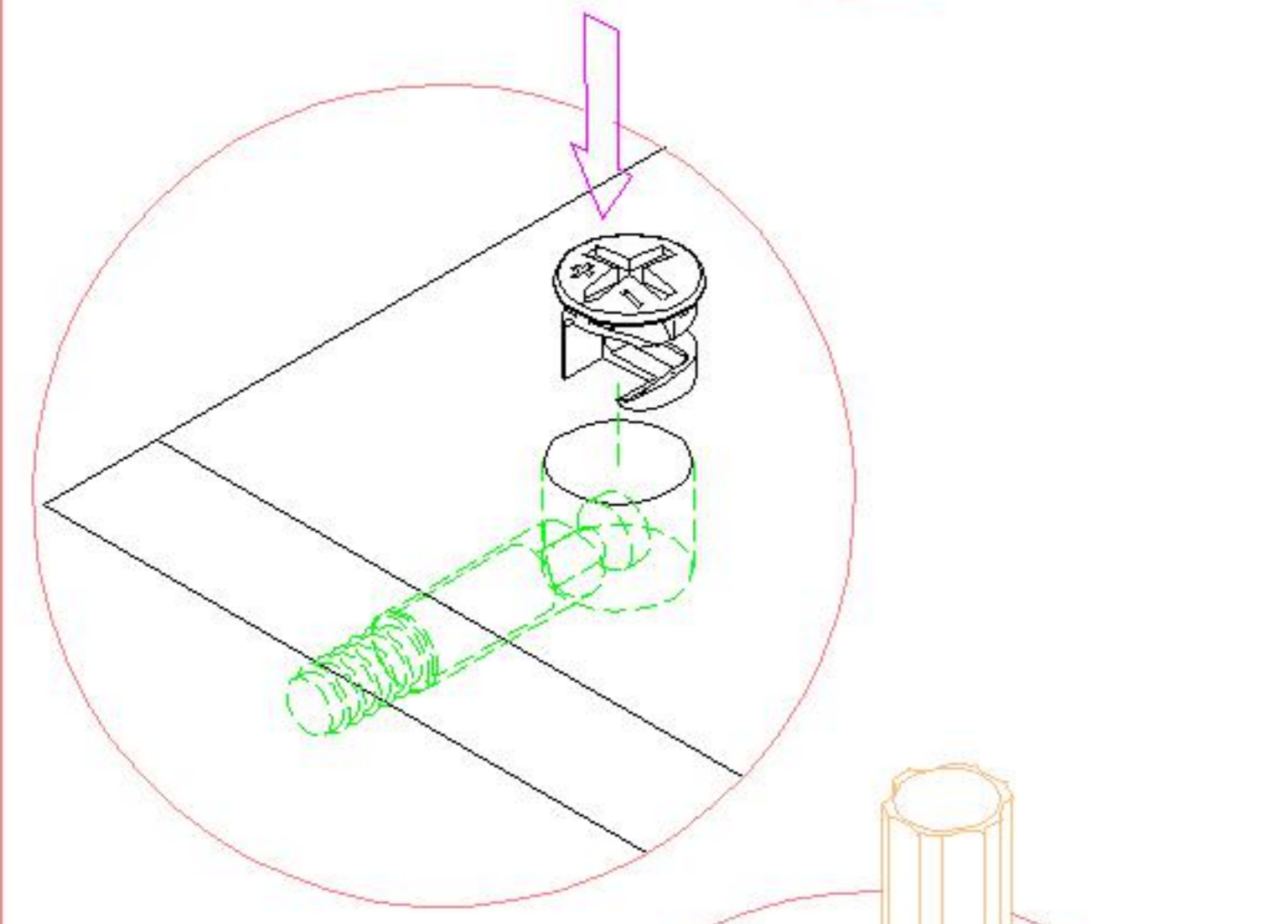
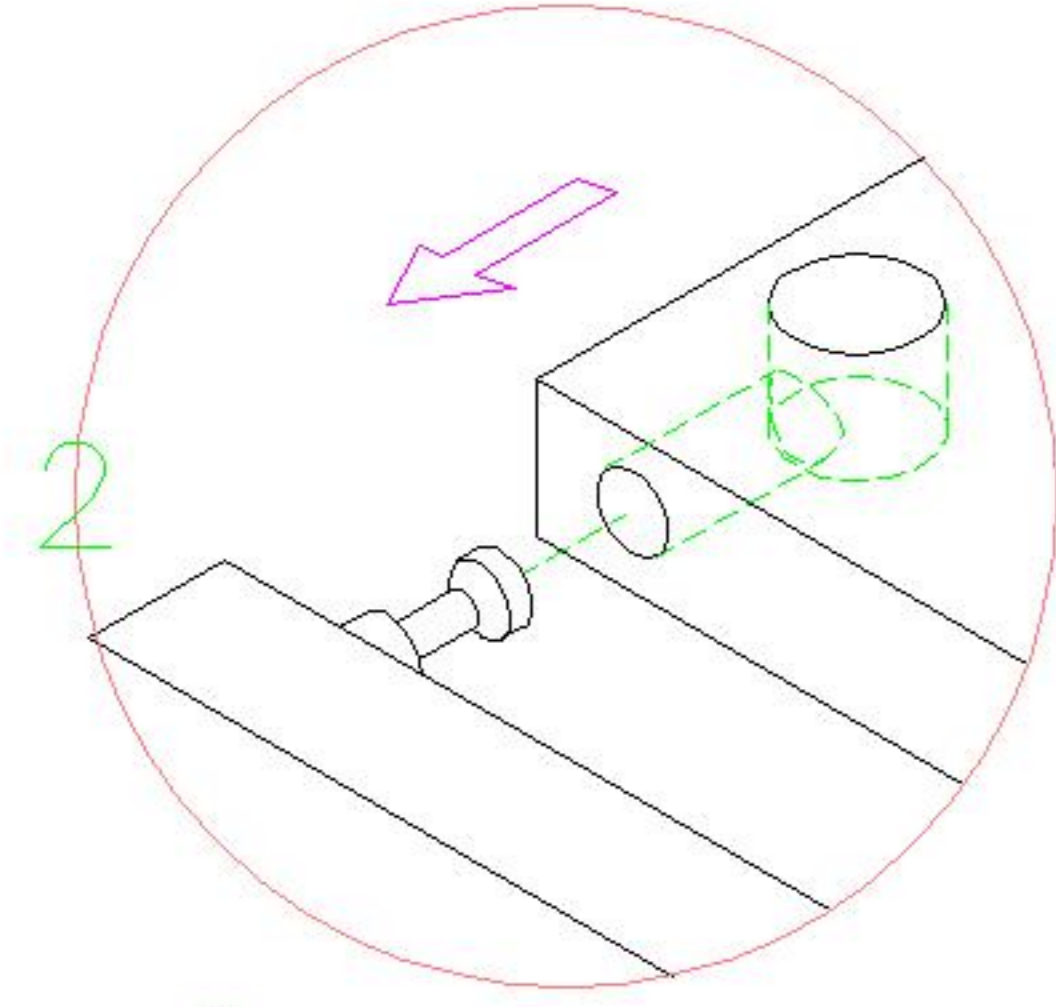
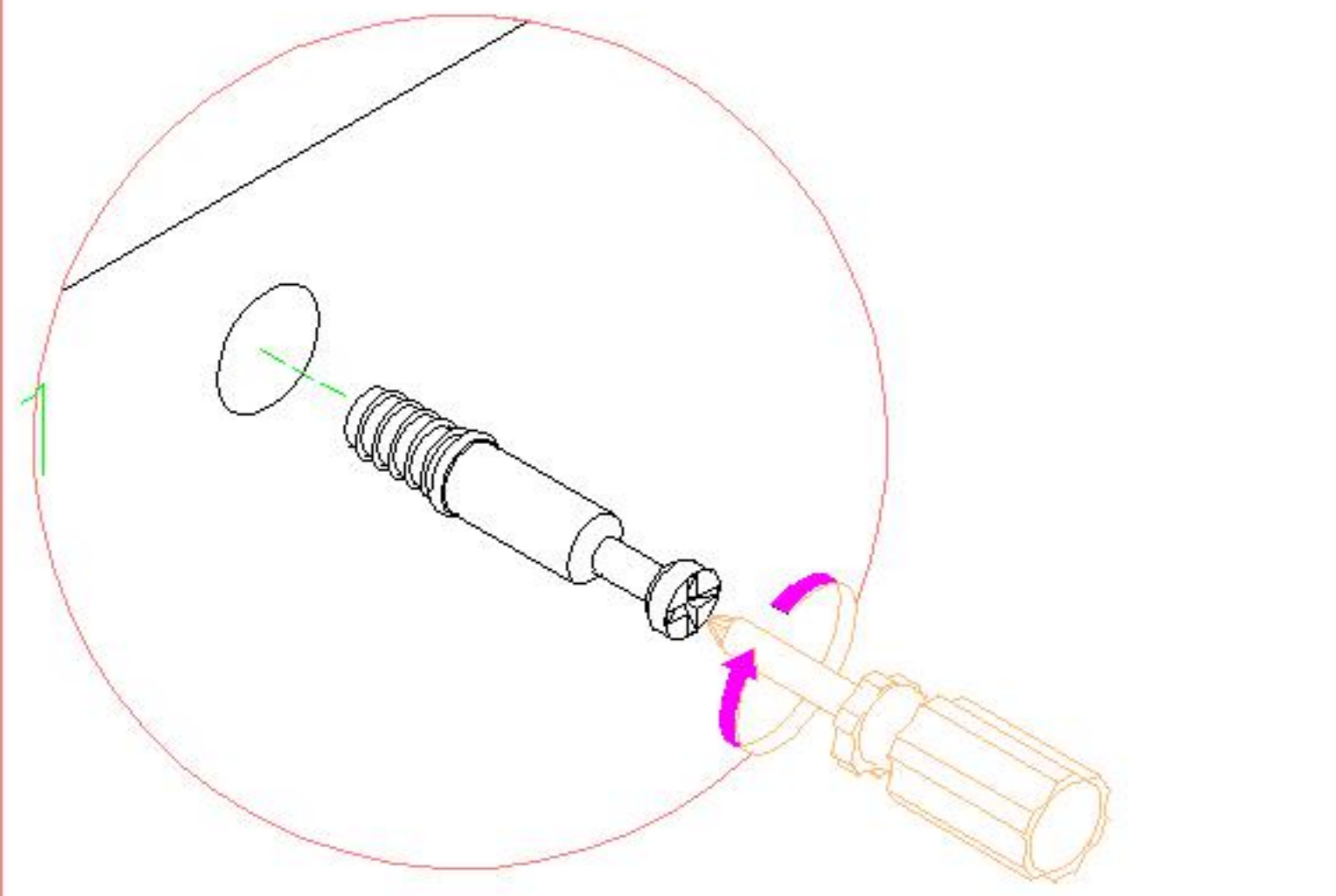
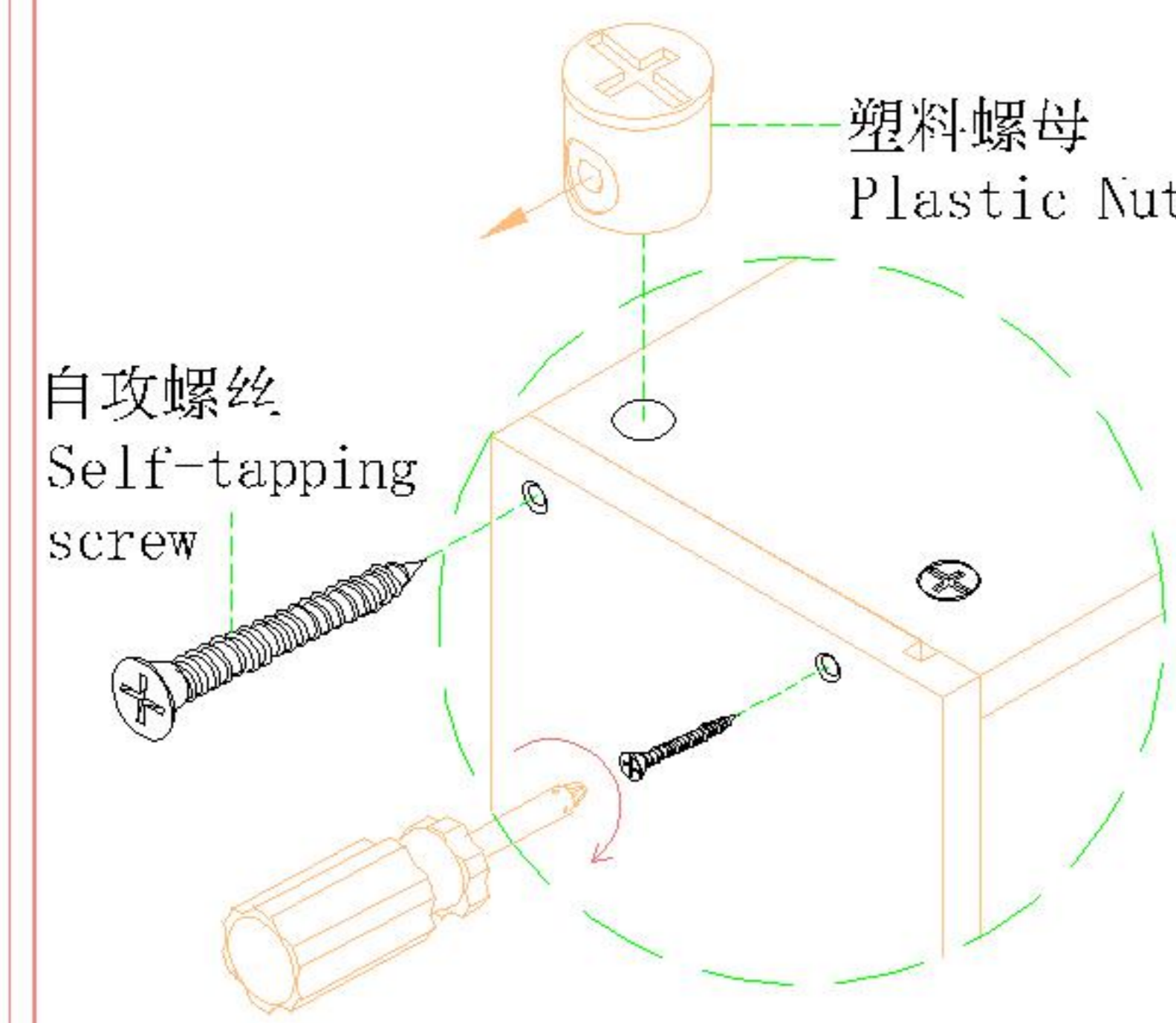


LY1L-A




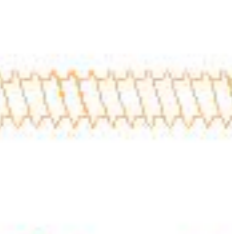
安装方法/
Installation method

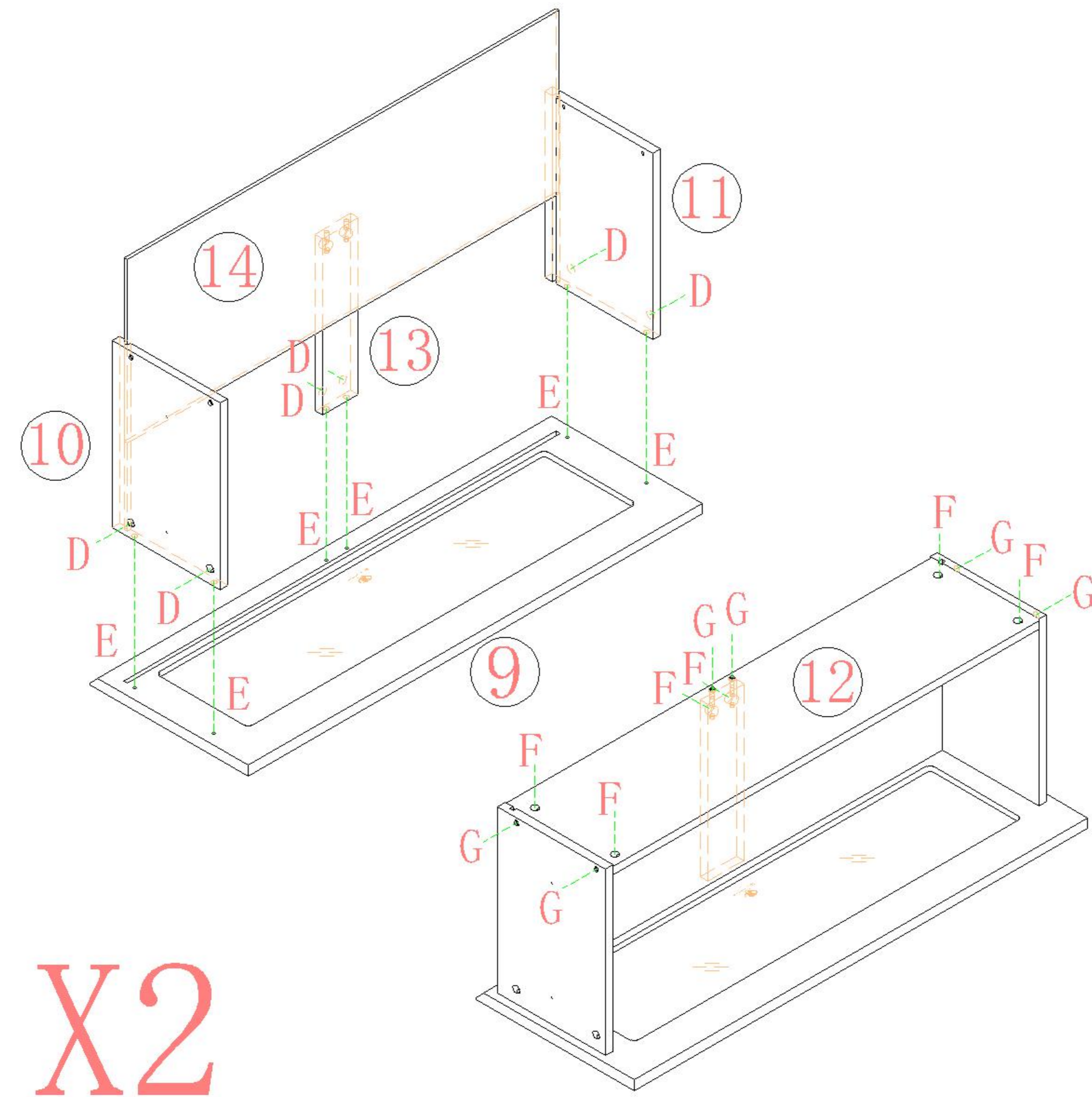


小二合一
small two-in-one




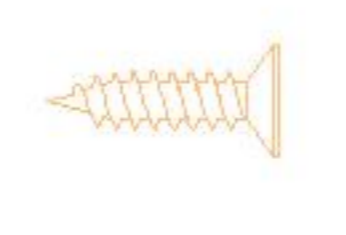
塑料螺母
Plastic Nut

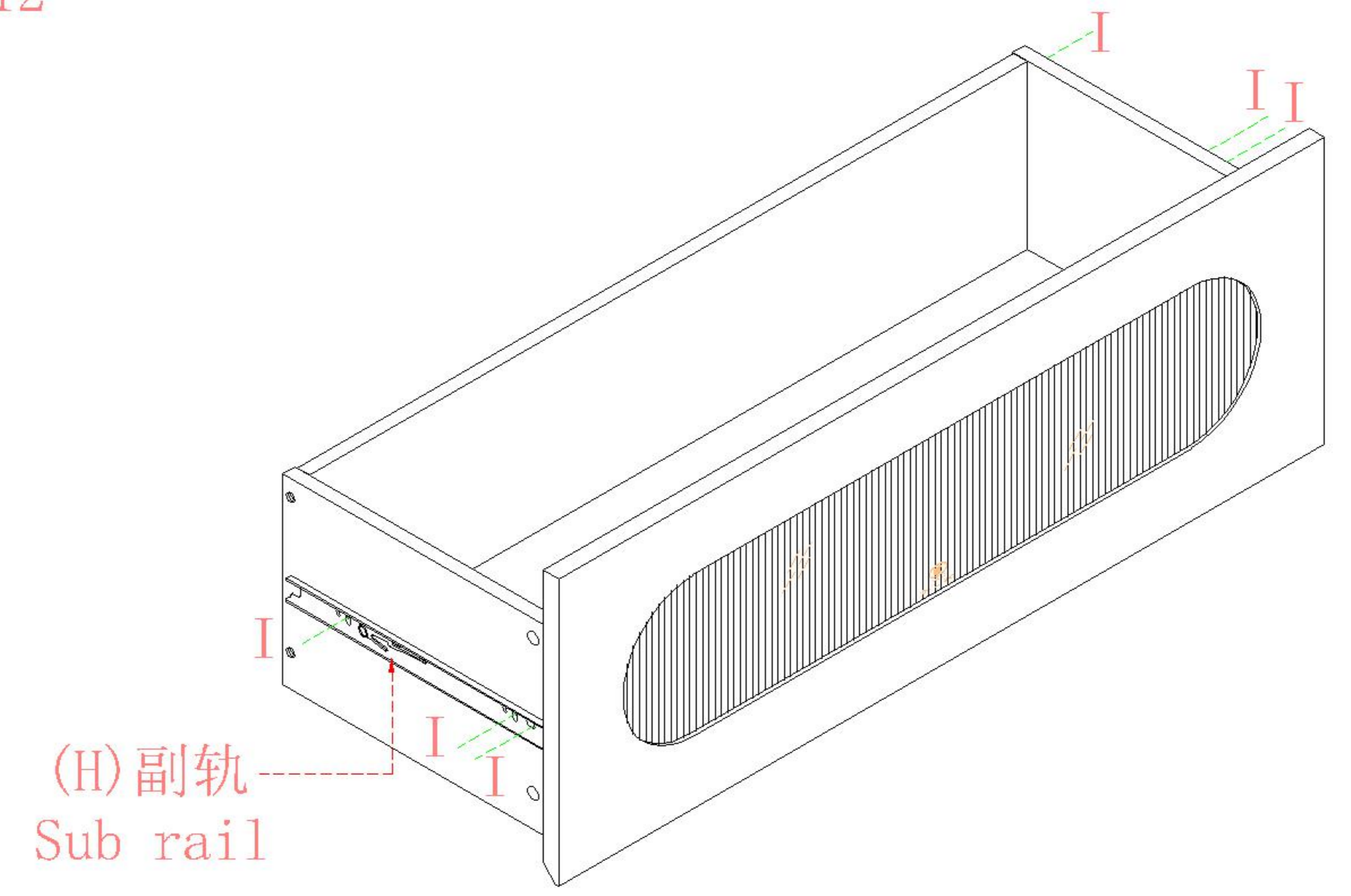
-  (D)*12
-  (E)*12
-  (F)*12
-  (G)*12



X2

1


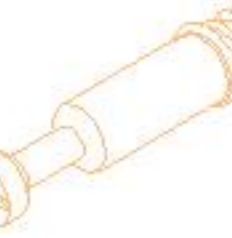

-  (H)*2
-  (I)*12

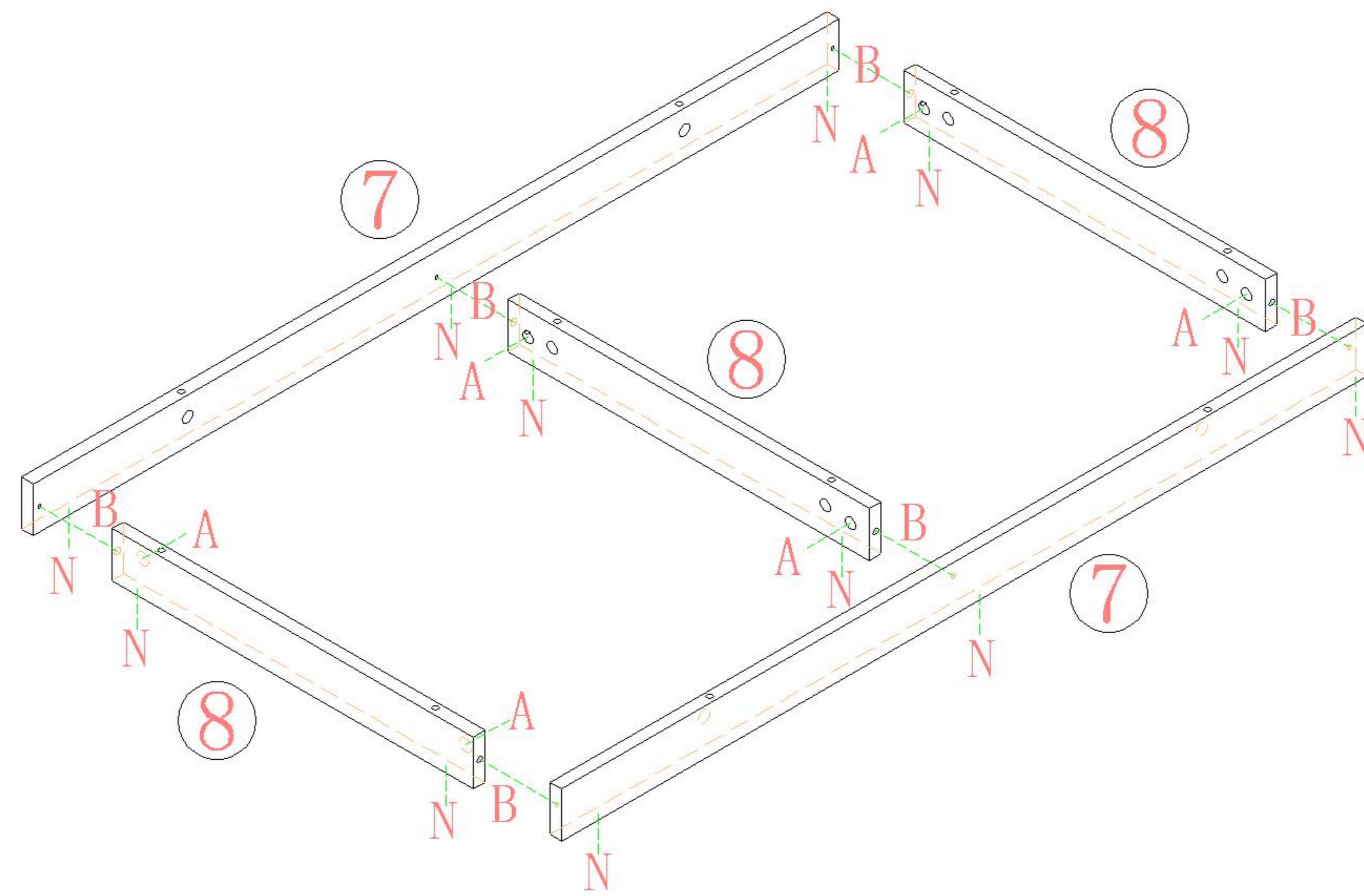


(H) 副轨
Sub rail


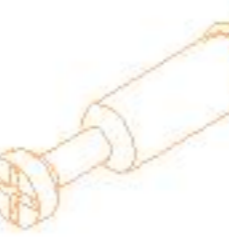
X2

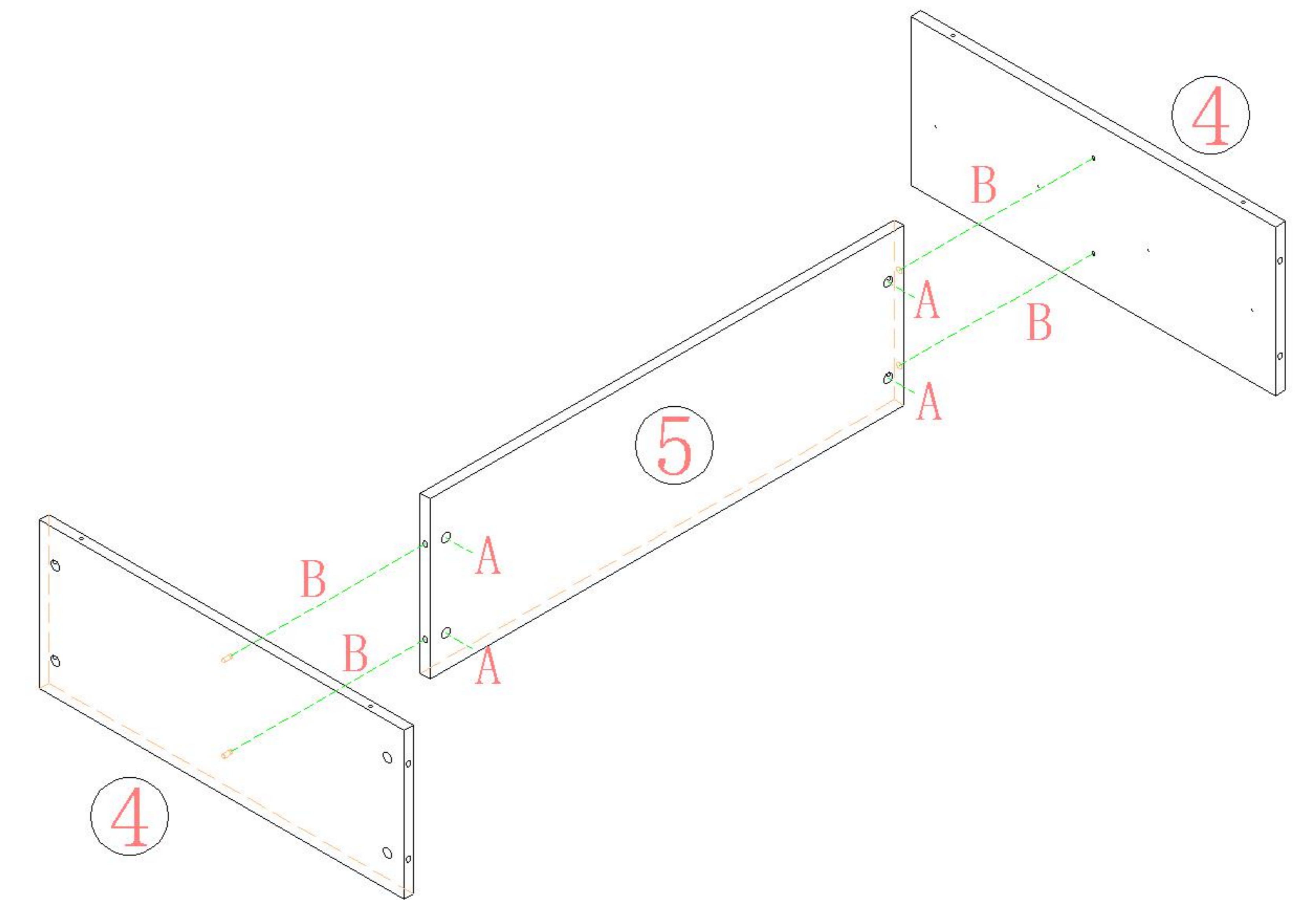
2

-  (A)*6
-  (B)*6
-  (N)*12



3

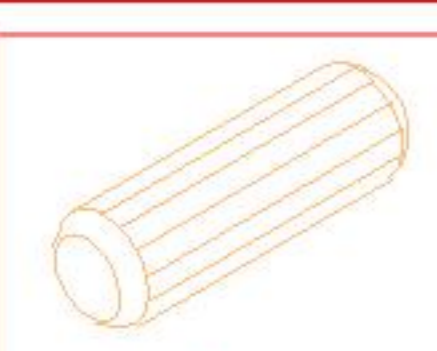
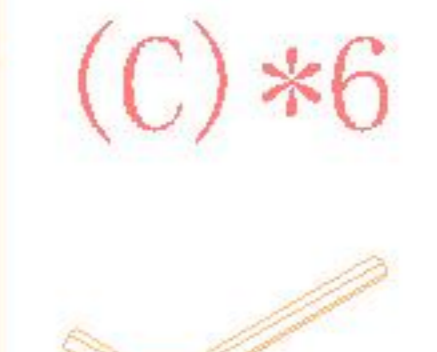
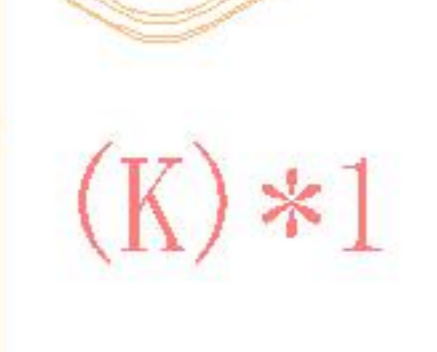
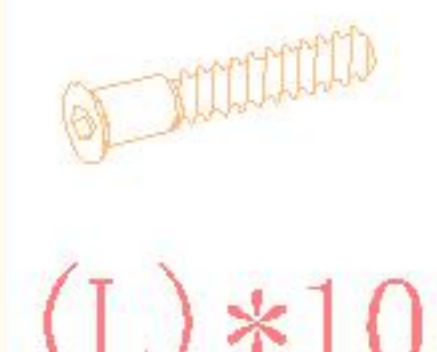
-  (A)*4
-  (B)*4

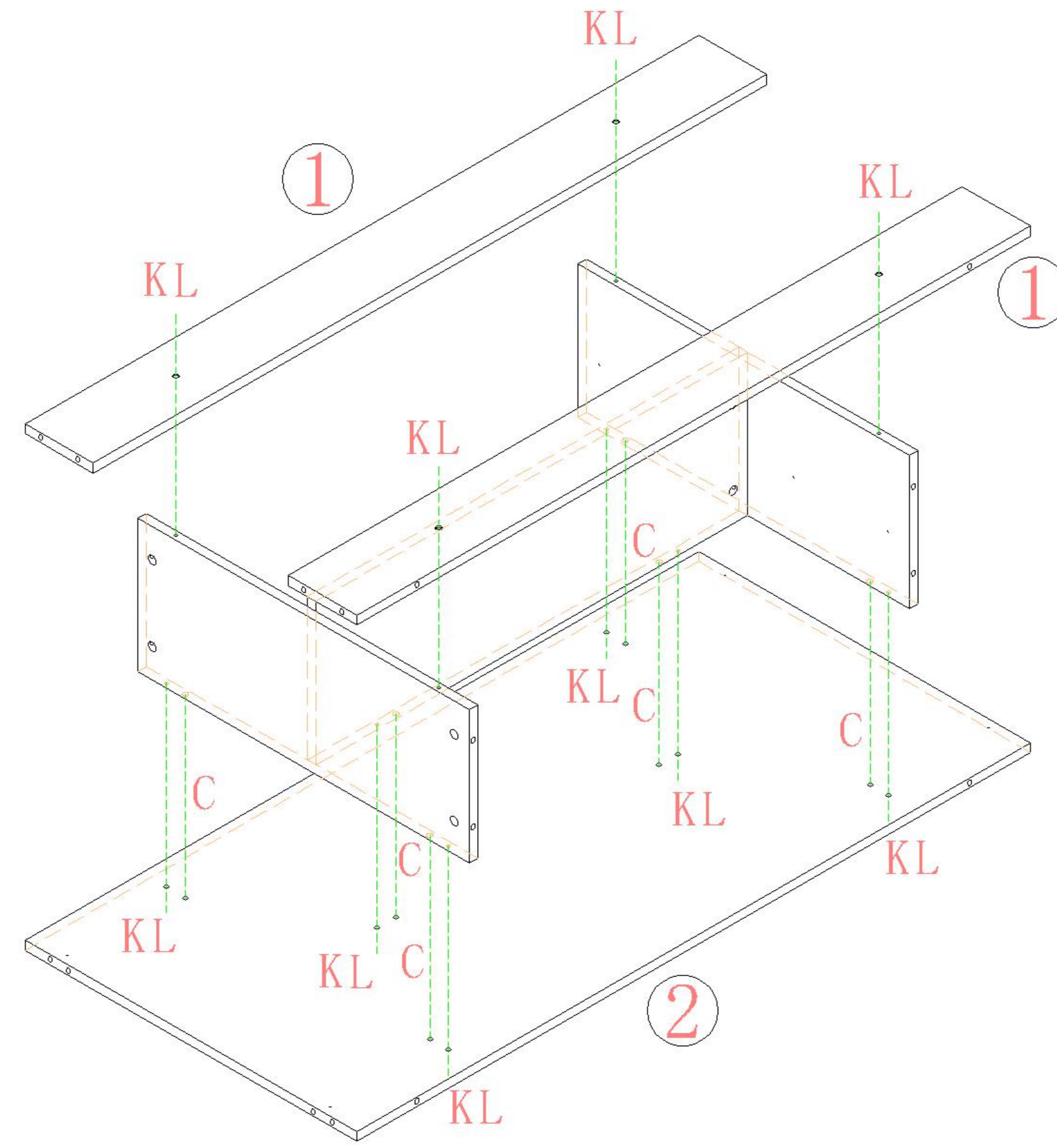


4


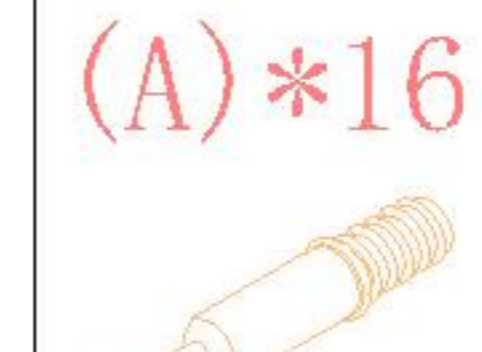
LY1L-A

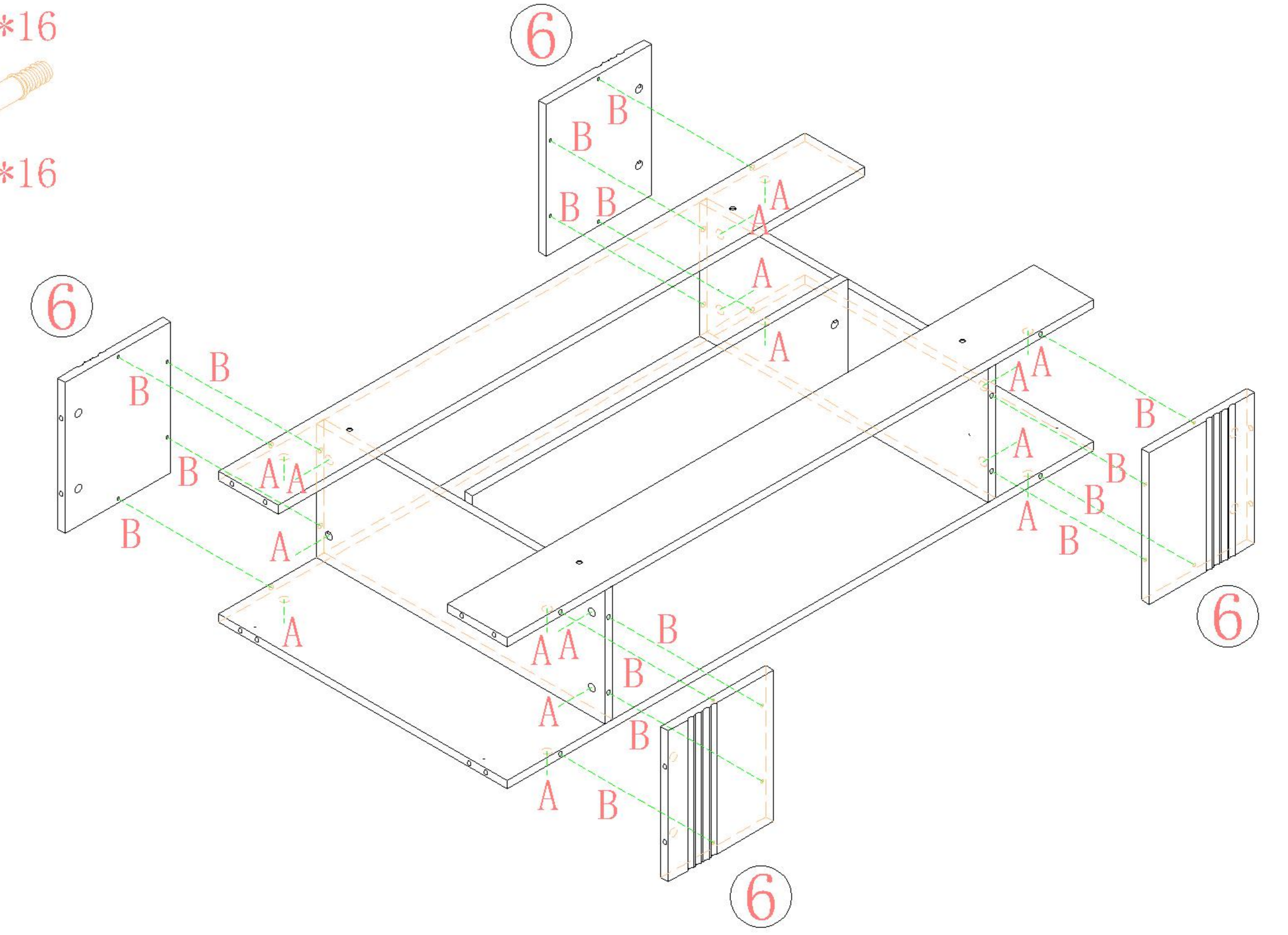
安装方法/
Installation method

-  (C)*6
-  (K)*1
-  (L)*10
-  (L)*10






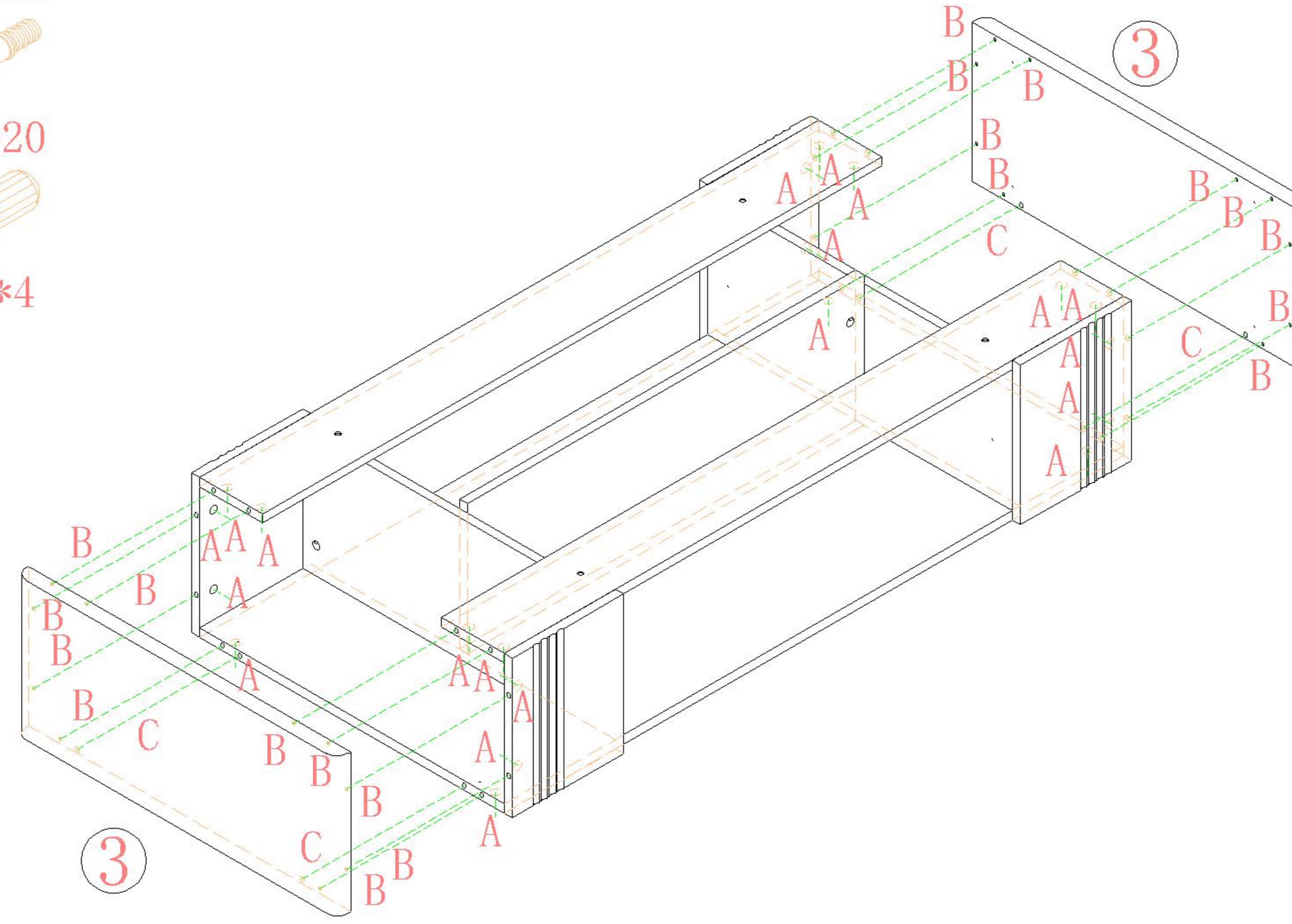
5

-  (A)*16
-  (B)*16





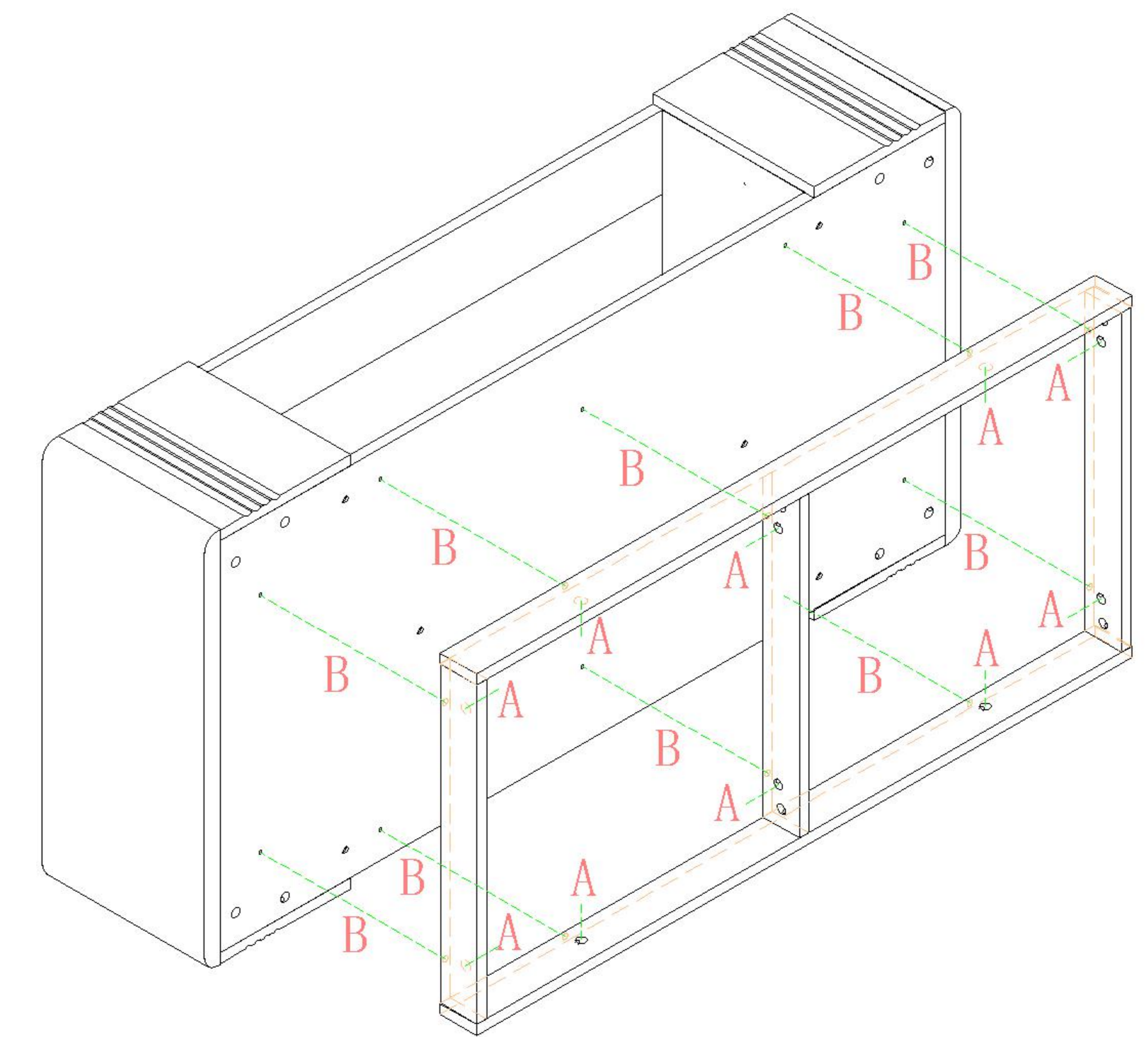
6

-  (A)*20
-  (B)*20
-  (C)*4



7

-  (A)*10
-  (B)*10

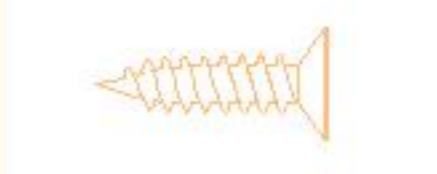


8

LY1L-A

安装方法/
Installation method

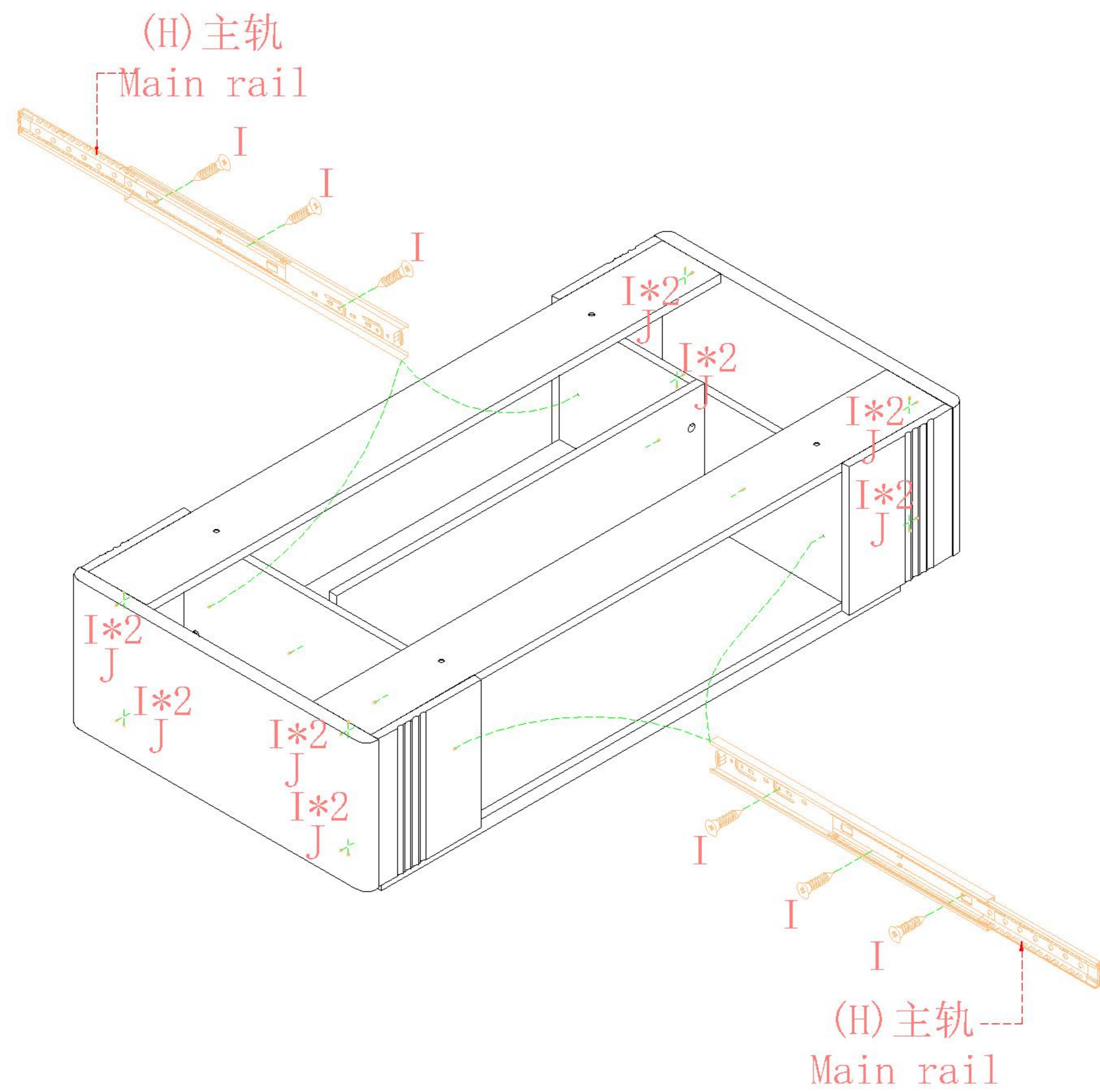
(H)*2



(I)*28

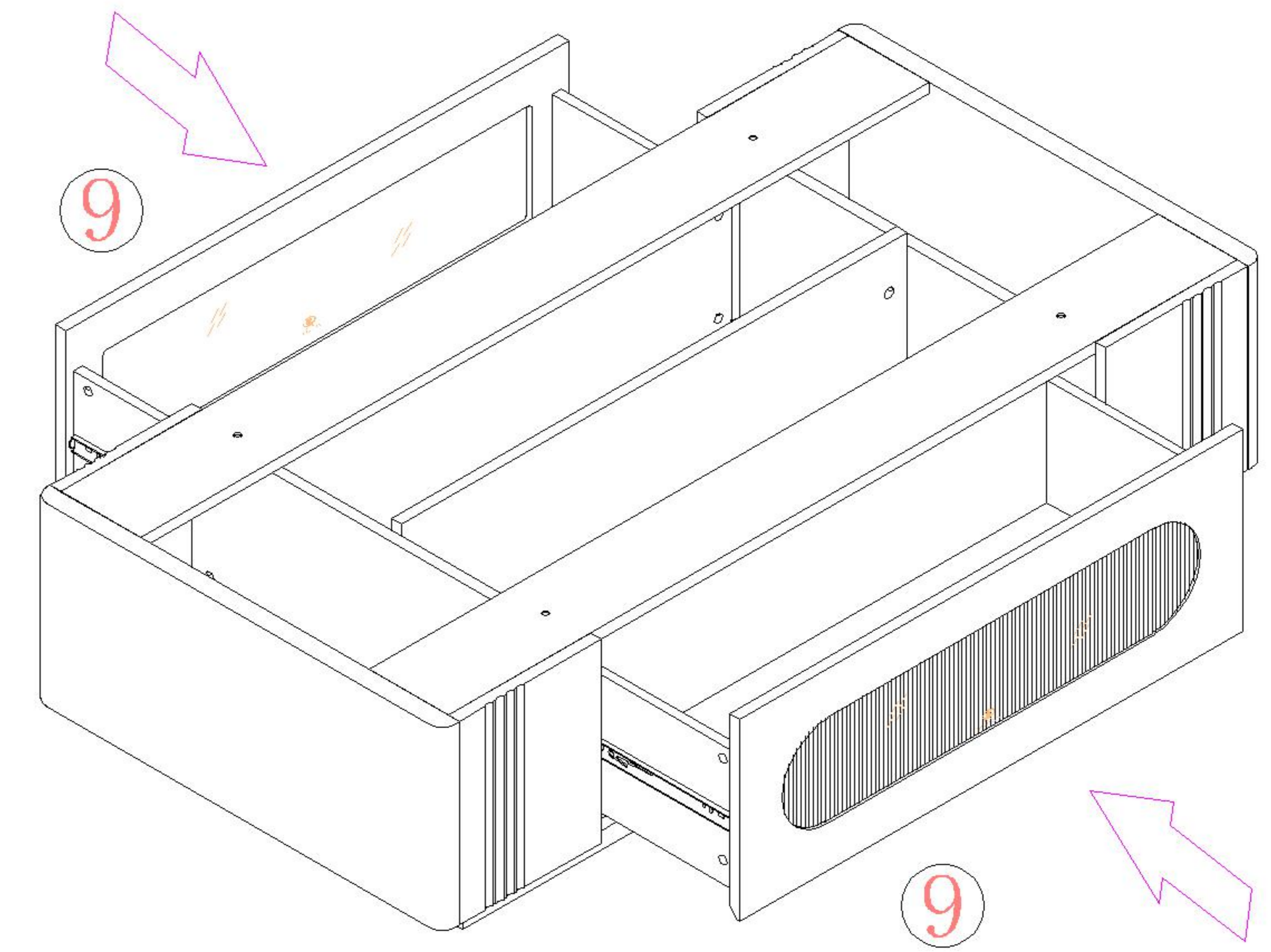


(J)*8

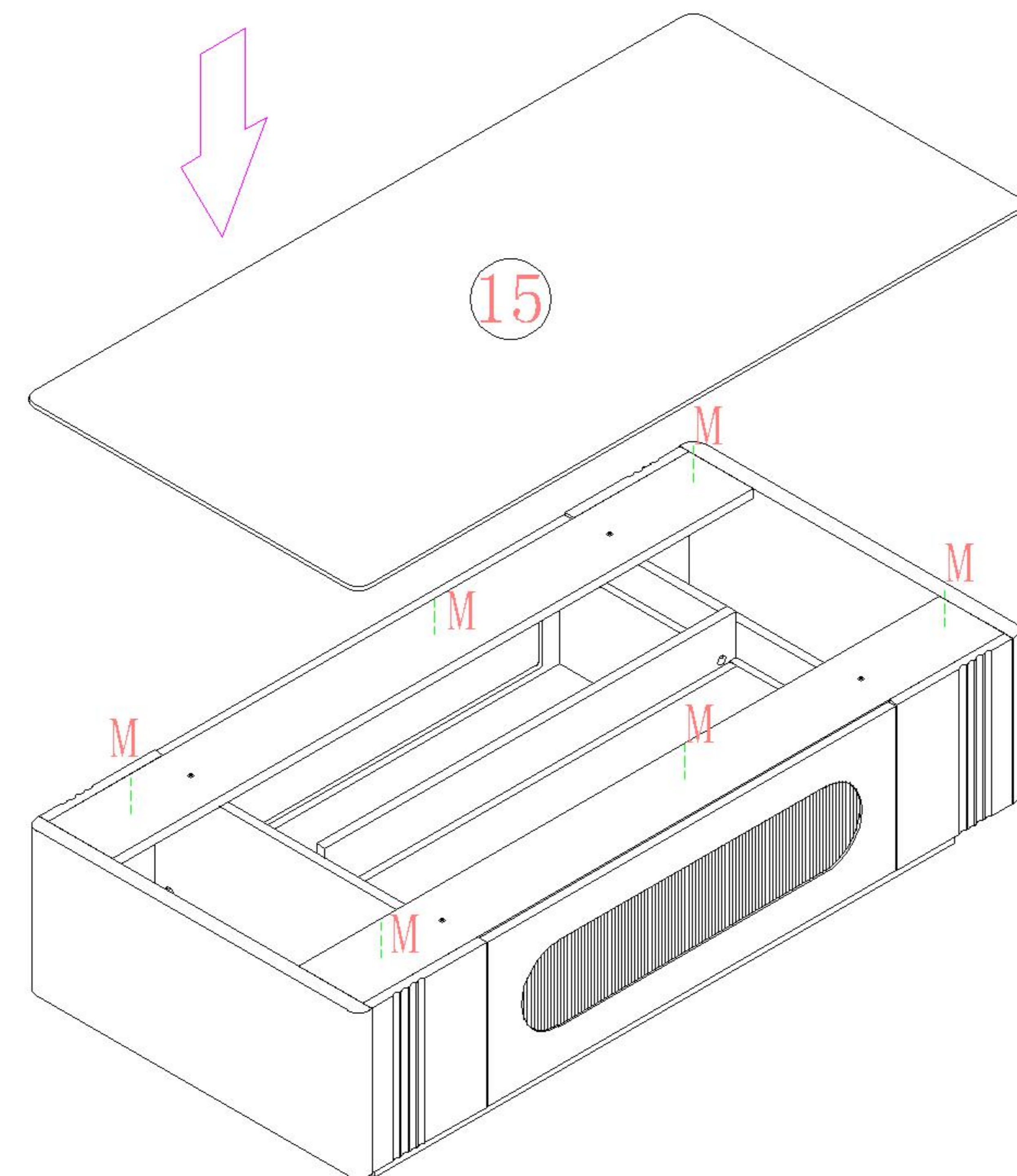


9

10



(M)*6



11

12

