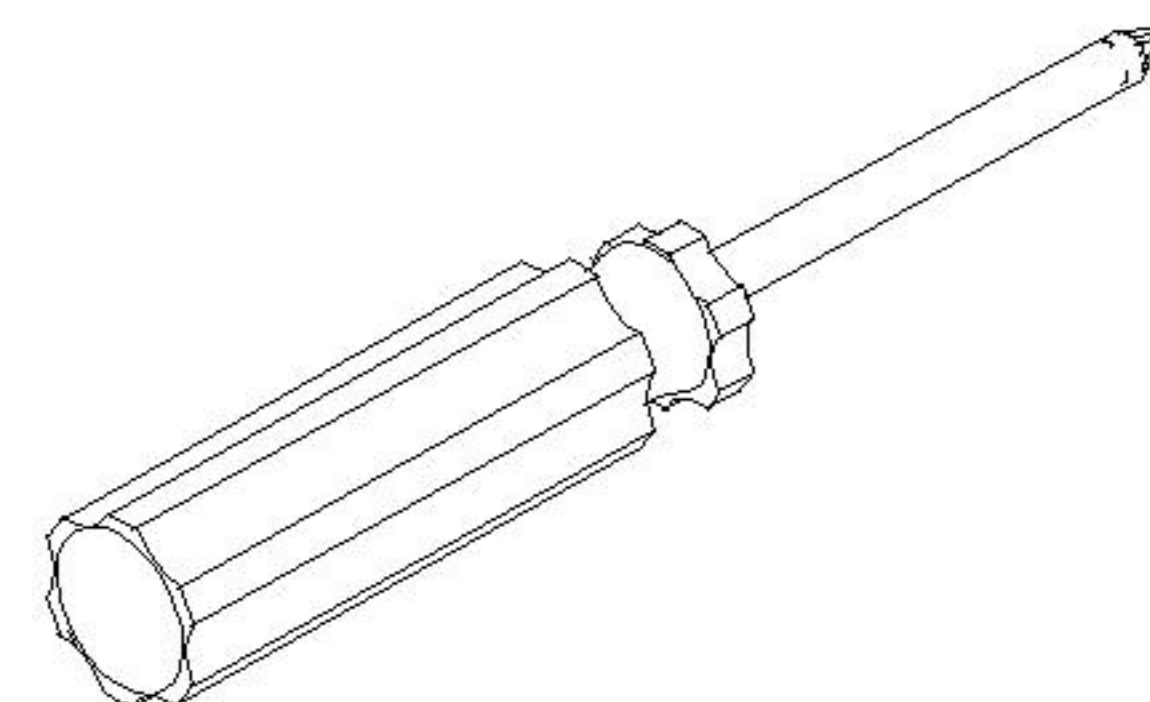
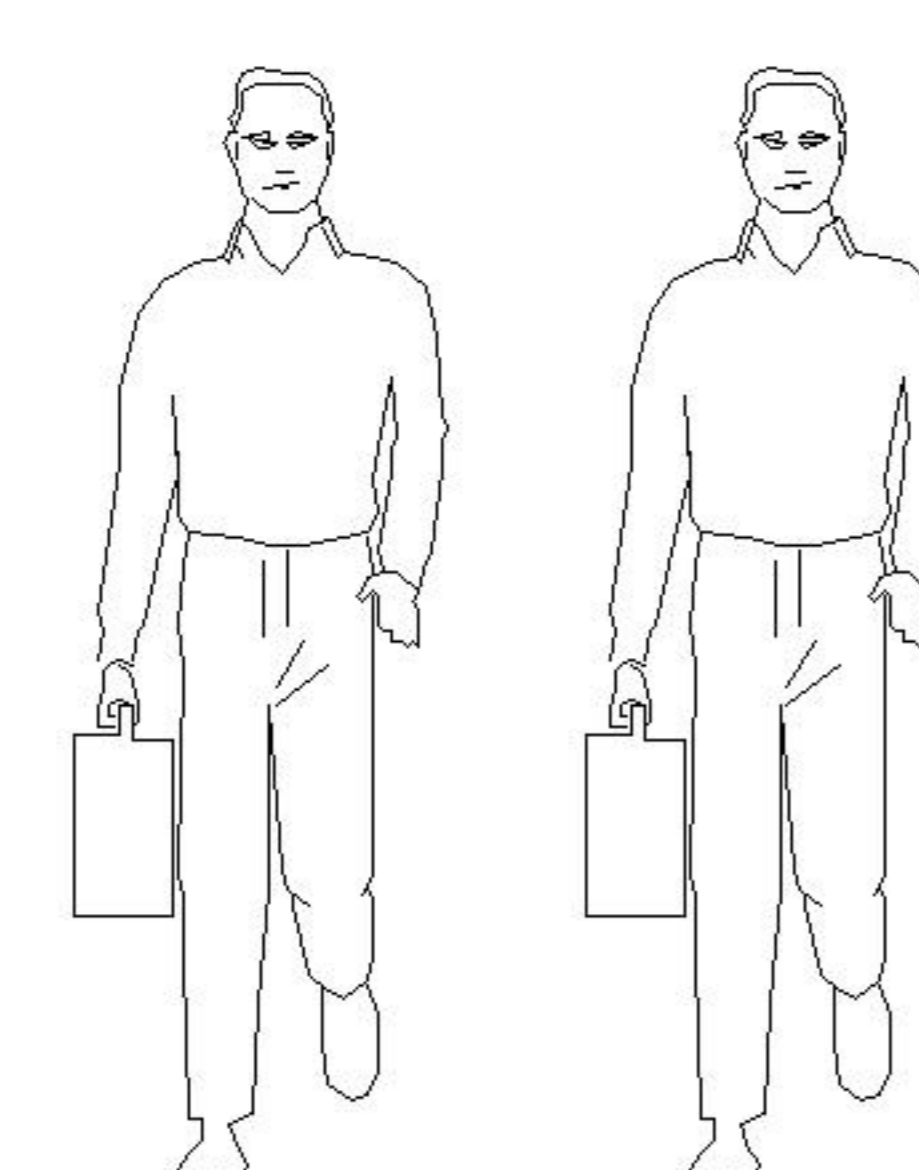


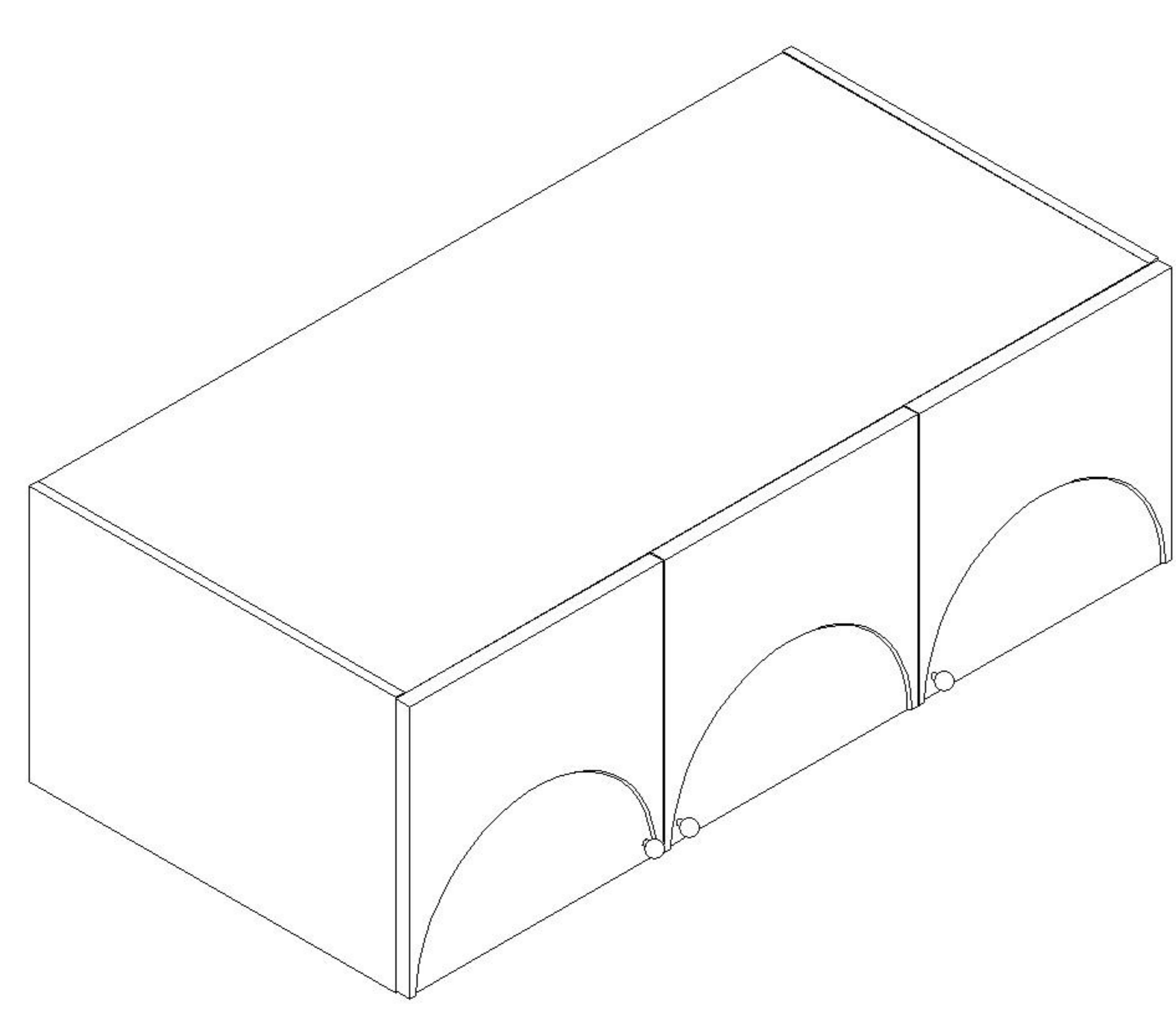
LINSY 林氏家居

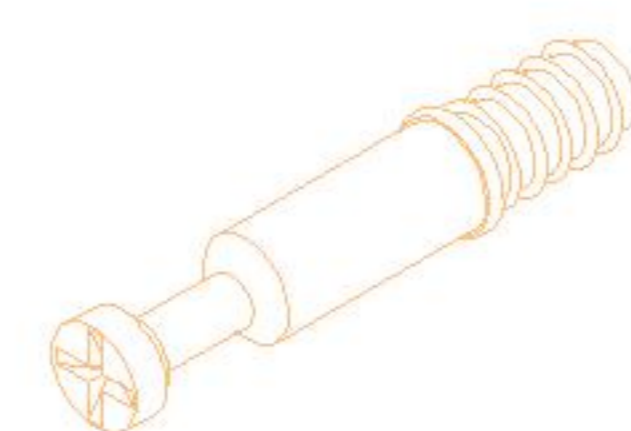
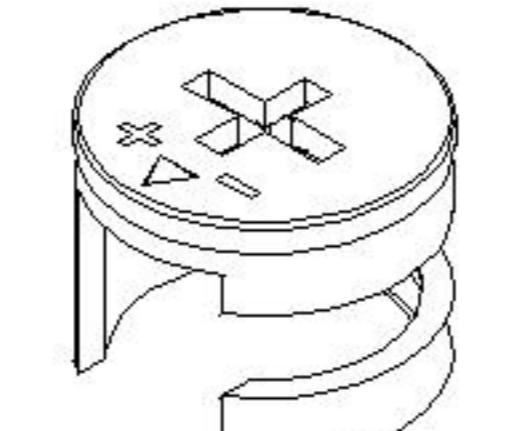

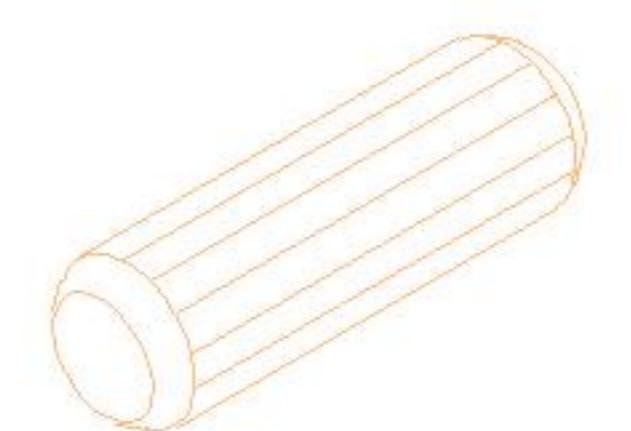
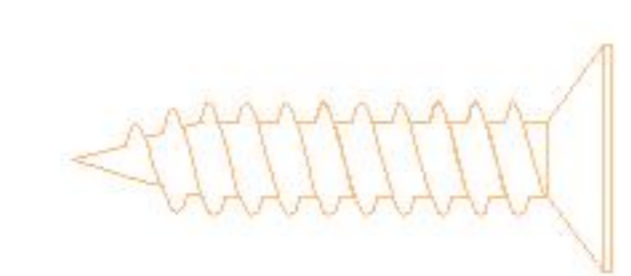
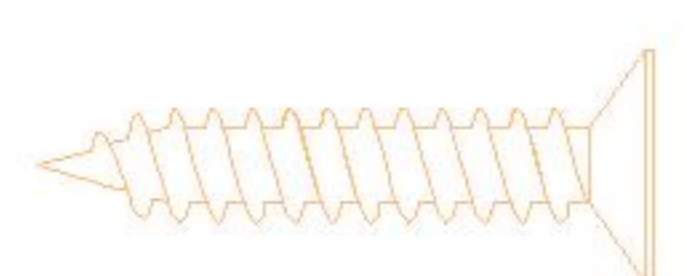
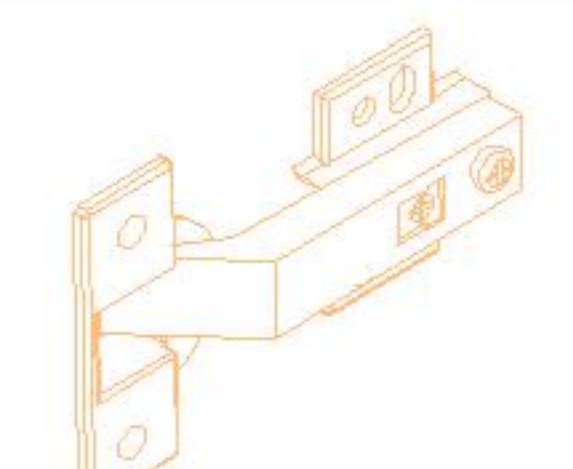
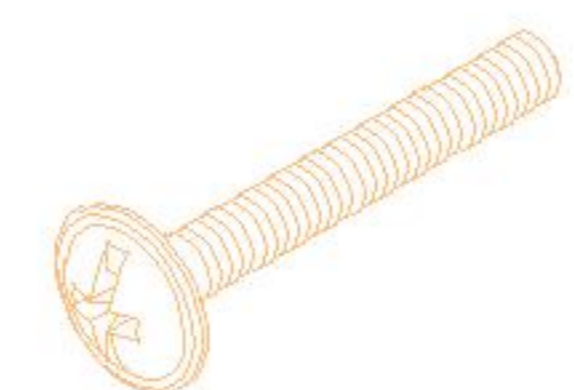

五金表/Hardware list

部件表/Parts List

安装示意图/Assembly Instruction

产品名称 Model NO.	TE13D-A
产品规格 Specification	1194*620.5*400mm
安装工具 Tool	安装人数 Installer
	

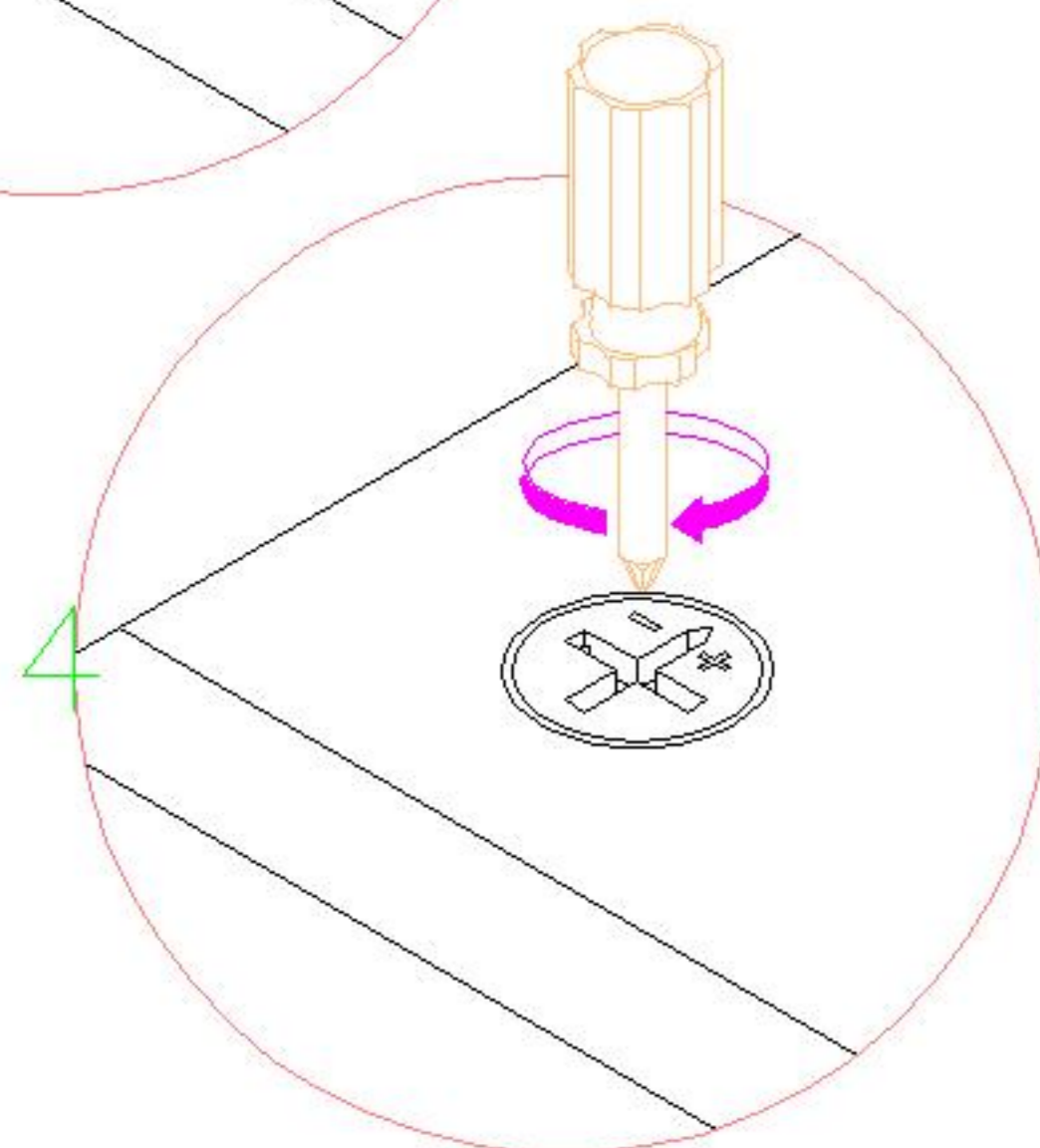
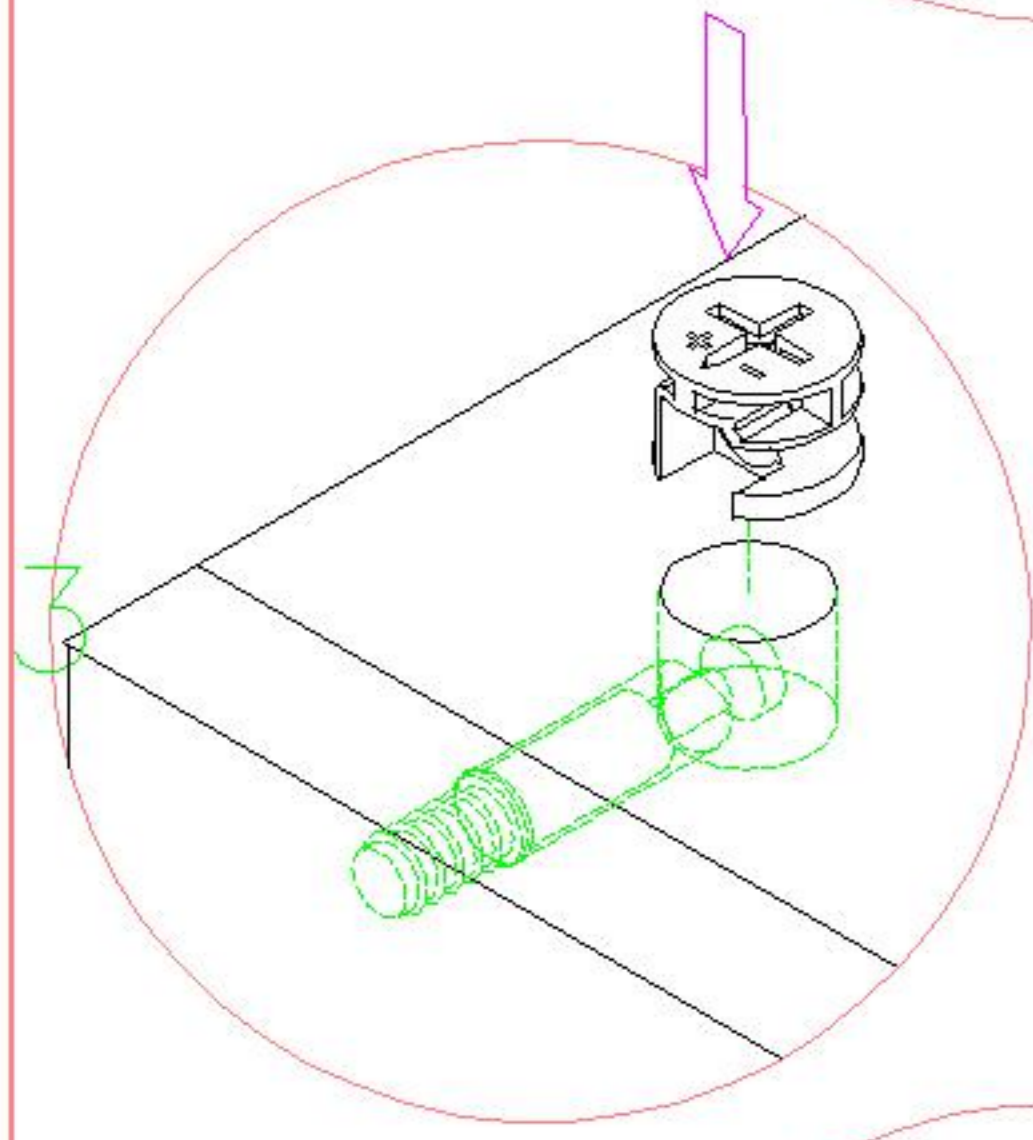
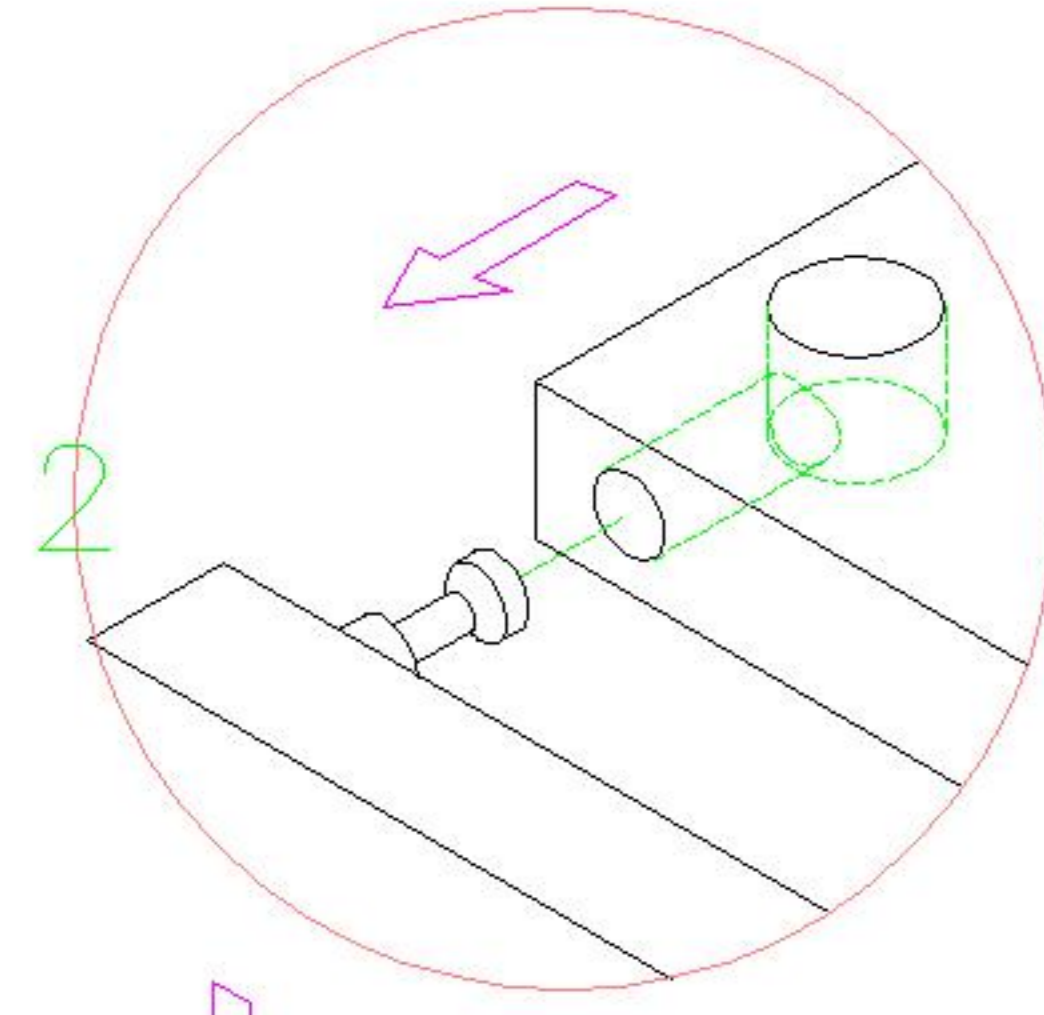
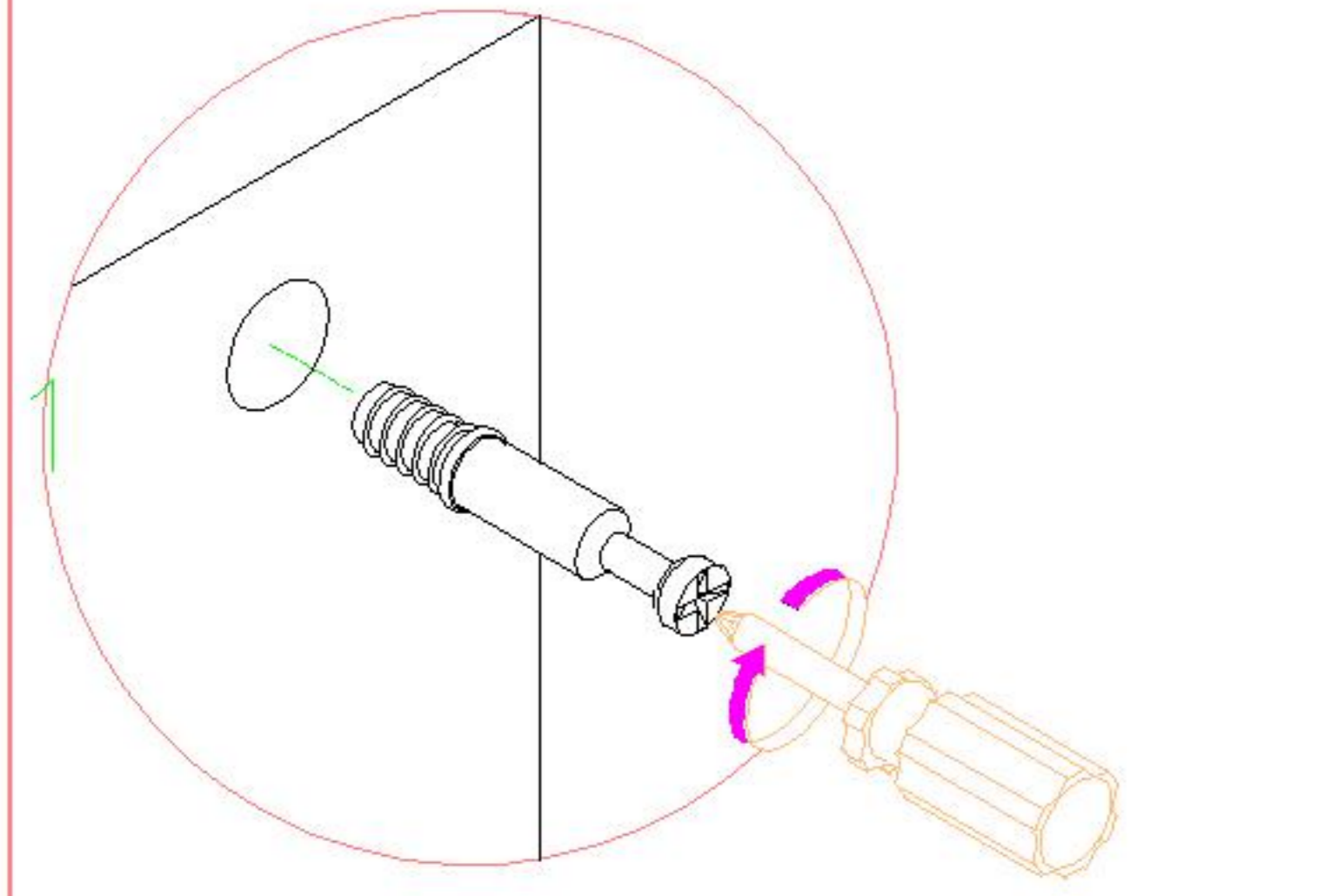


 (A)* 13 二合一螺杆 2-in-1-screw	 (B)* 13 大三合一锁饼 Three-in-one large lock	 (C)* 6 背板扣 Back Plate Buckle-White	 (D)* 13 木榫Ø8x30mm wood tenon
 (E)* 6 自攻螺丝M3.5x16mm Self-tapping screw	 (F)* 4 自攻螺丝M4x25mm Self-tapping screw	 (G)* 6 缓冲门铰直弯-杯径Ø35 Hinge-straight bending-diameter 35	 (H)* 3 拉手螺丝-M1x22mm pulling screw
 (I)* 3 拉手 Handle			


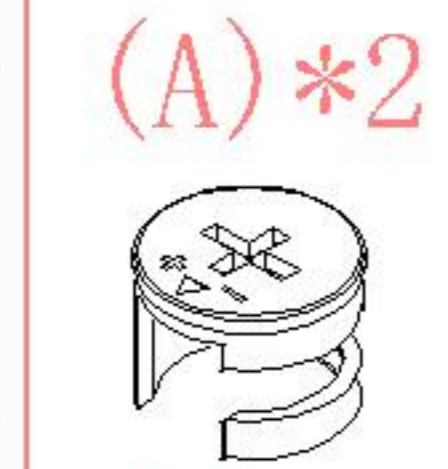
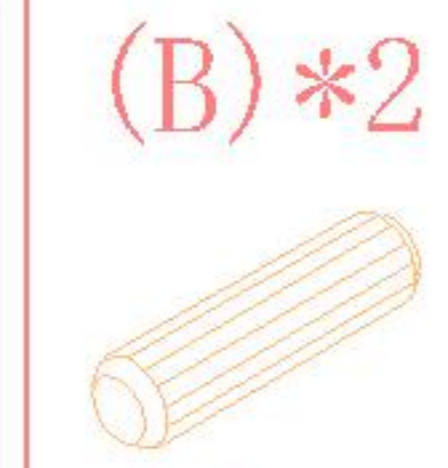
编号NO.	名称Name	规格 (mm) Specification	数量QTY	材质Material
①	面板Top panel	1164*574*15	1	人造板 WBP
②	底板Bottom board	1164*574*15	1	人造板 WBP
③	侧板Side board	400*574*15	2	人造板 WBP
④	中侧板Middle side board	368*554*15	1	人造板 WBP
⑤	背板Back board	1174*378*5	1	人造板 WBP
⑥	左门板Door board	396*396*22	1	吸塑板 Blister board
⑦	右门板Door board	396*396*22	2	吸塑板 Blister board

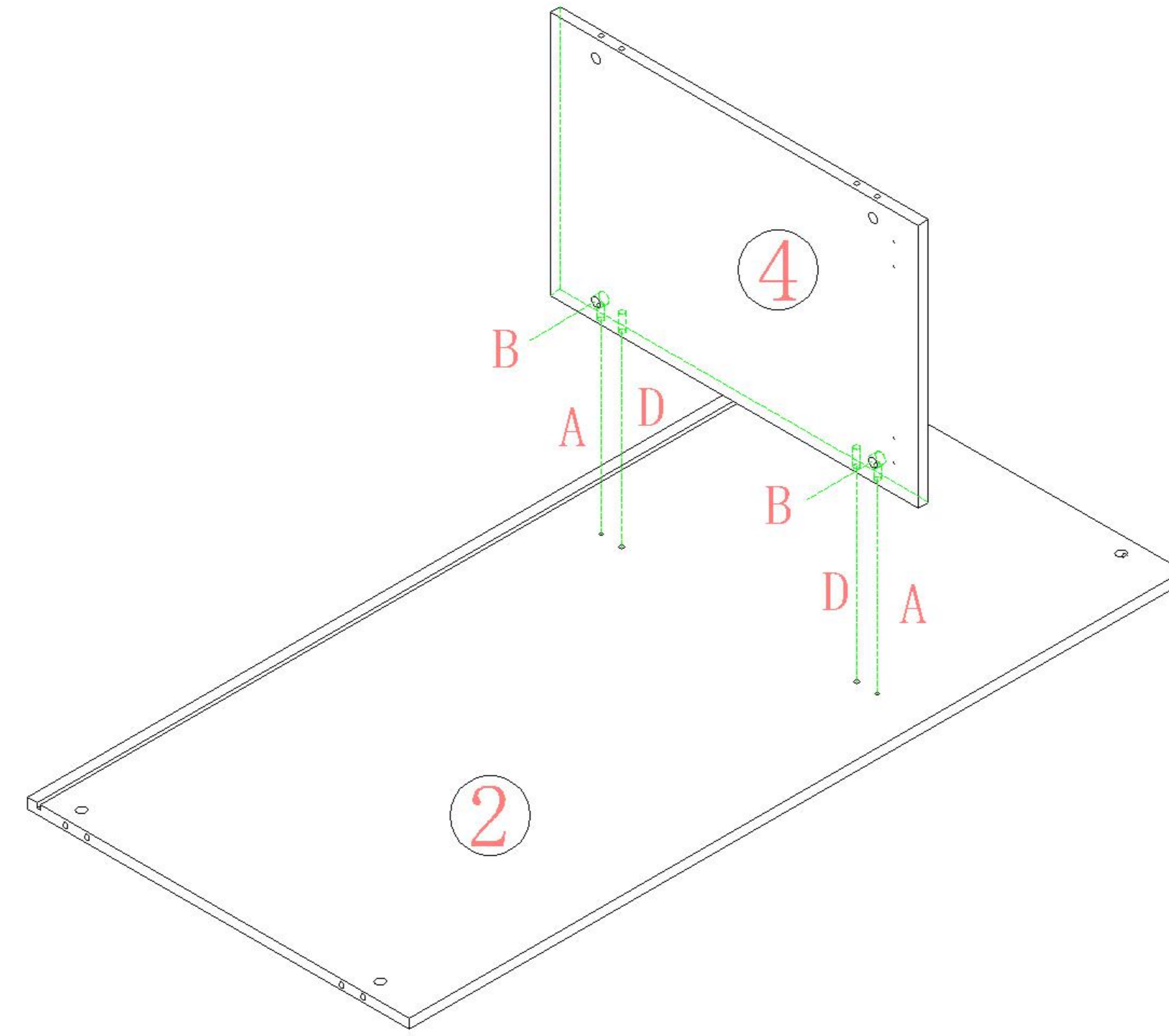
TE13D-A

安装方法/
Installation method


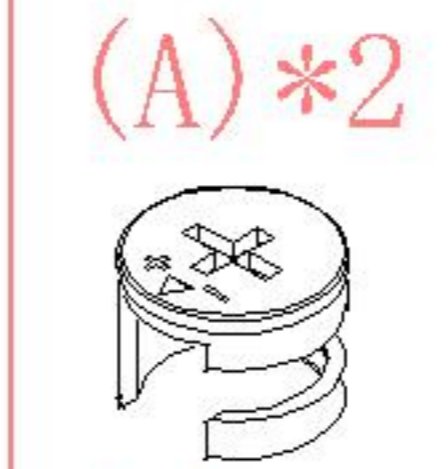
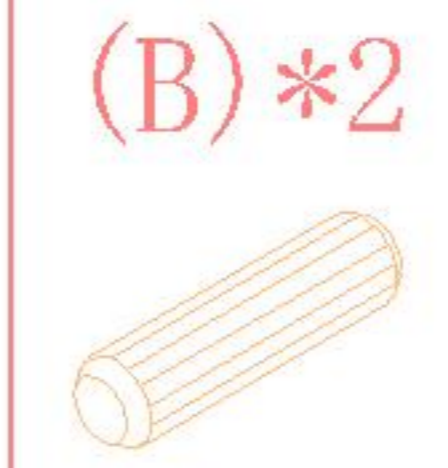


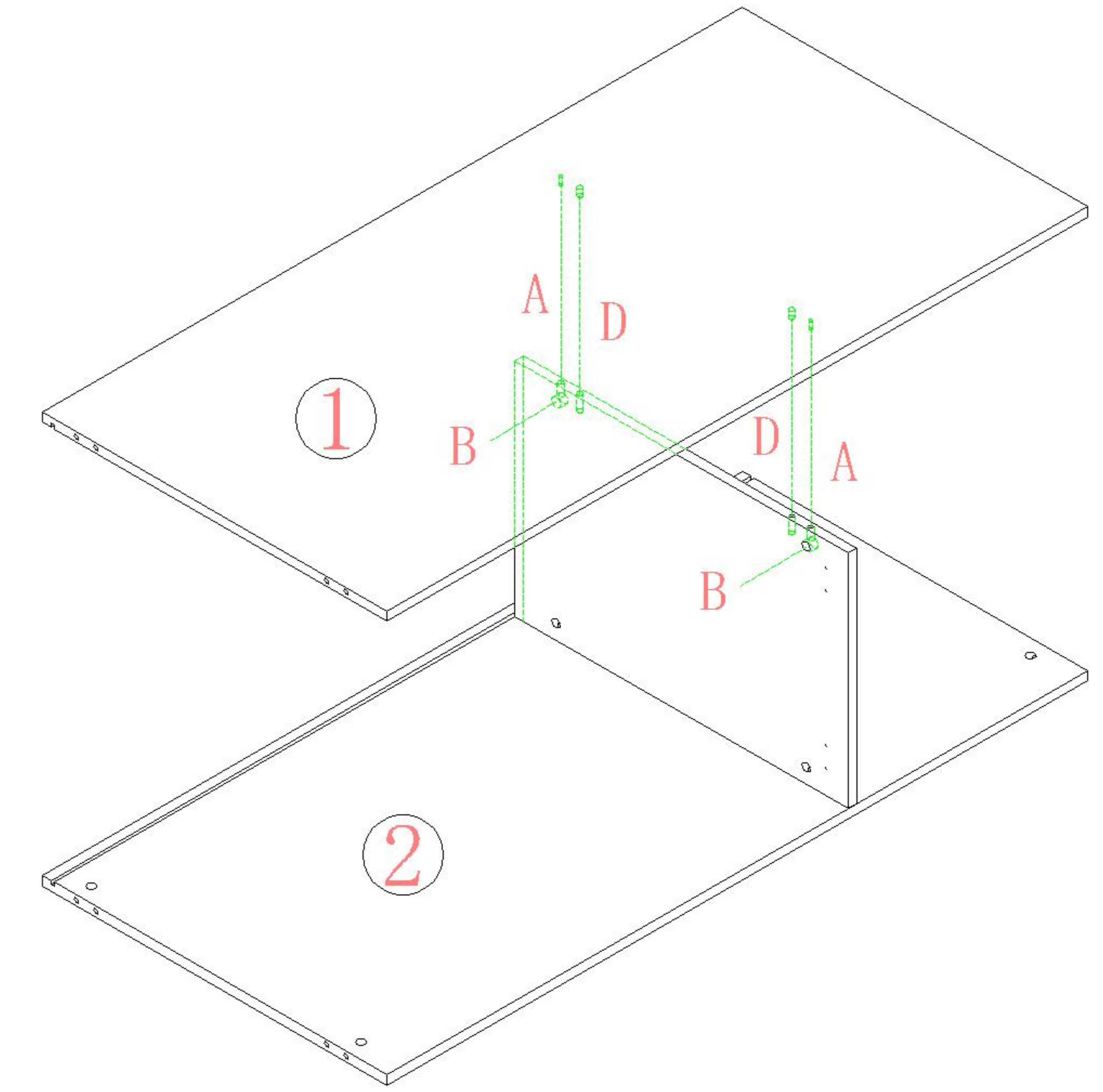
大二合一
two-in-one

-  (A)*2
-  (B)*2
-  (D)*2


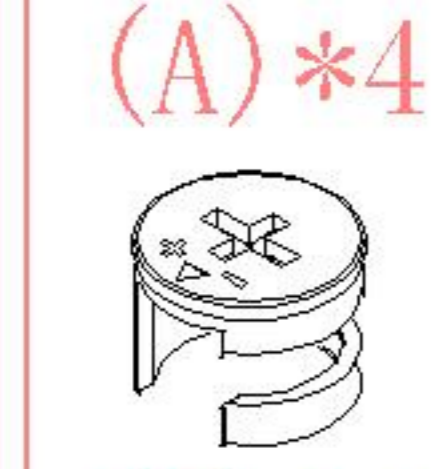
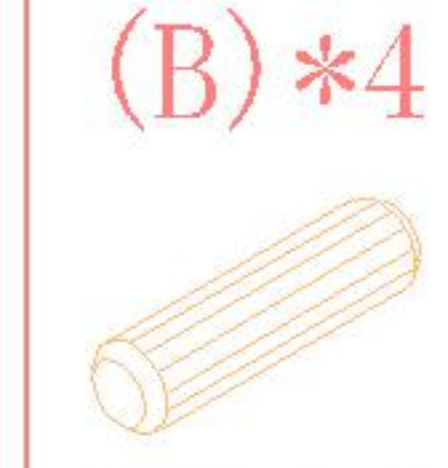


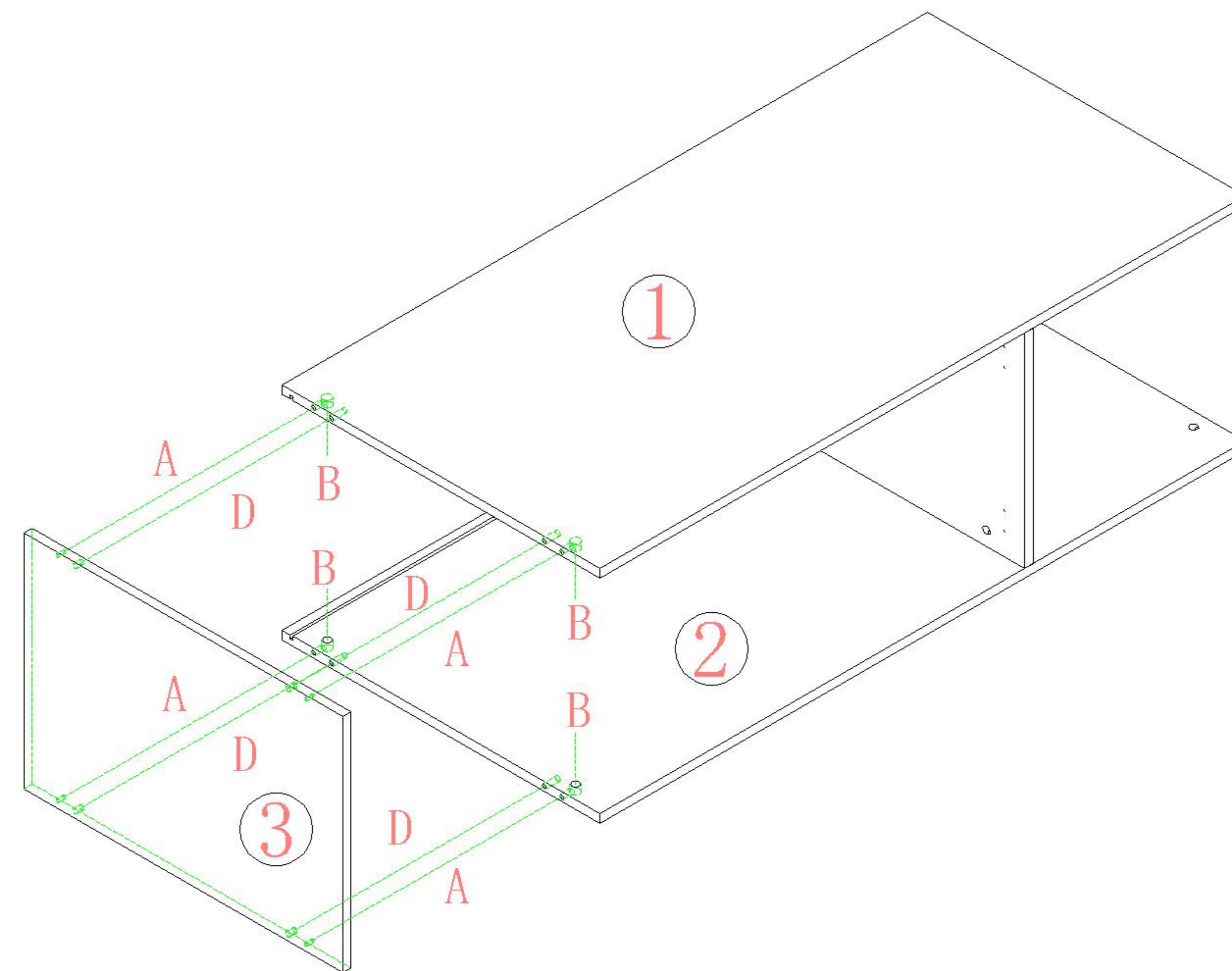
1

-  (A)*2
-  (B)*2
-  (D)*2

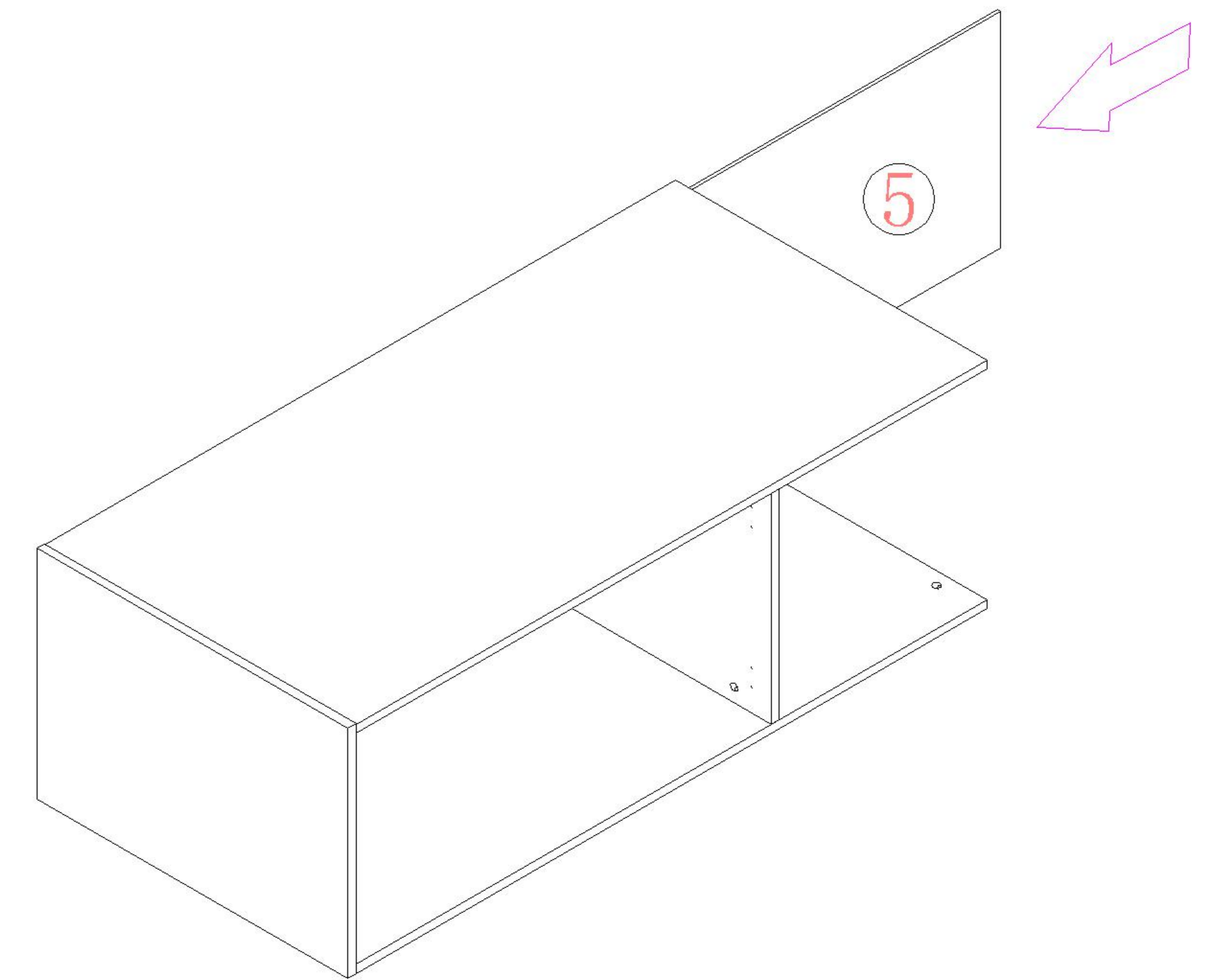


2

-  (A)*4
-  (B)*4
-  (D)*4



3



4

TE13D-A

安装方法/ Installation method

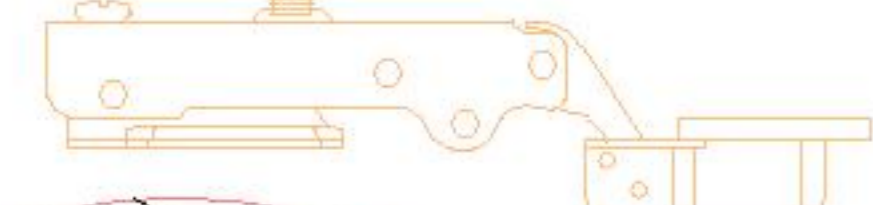
大弯big bend



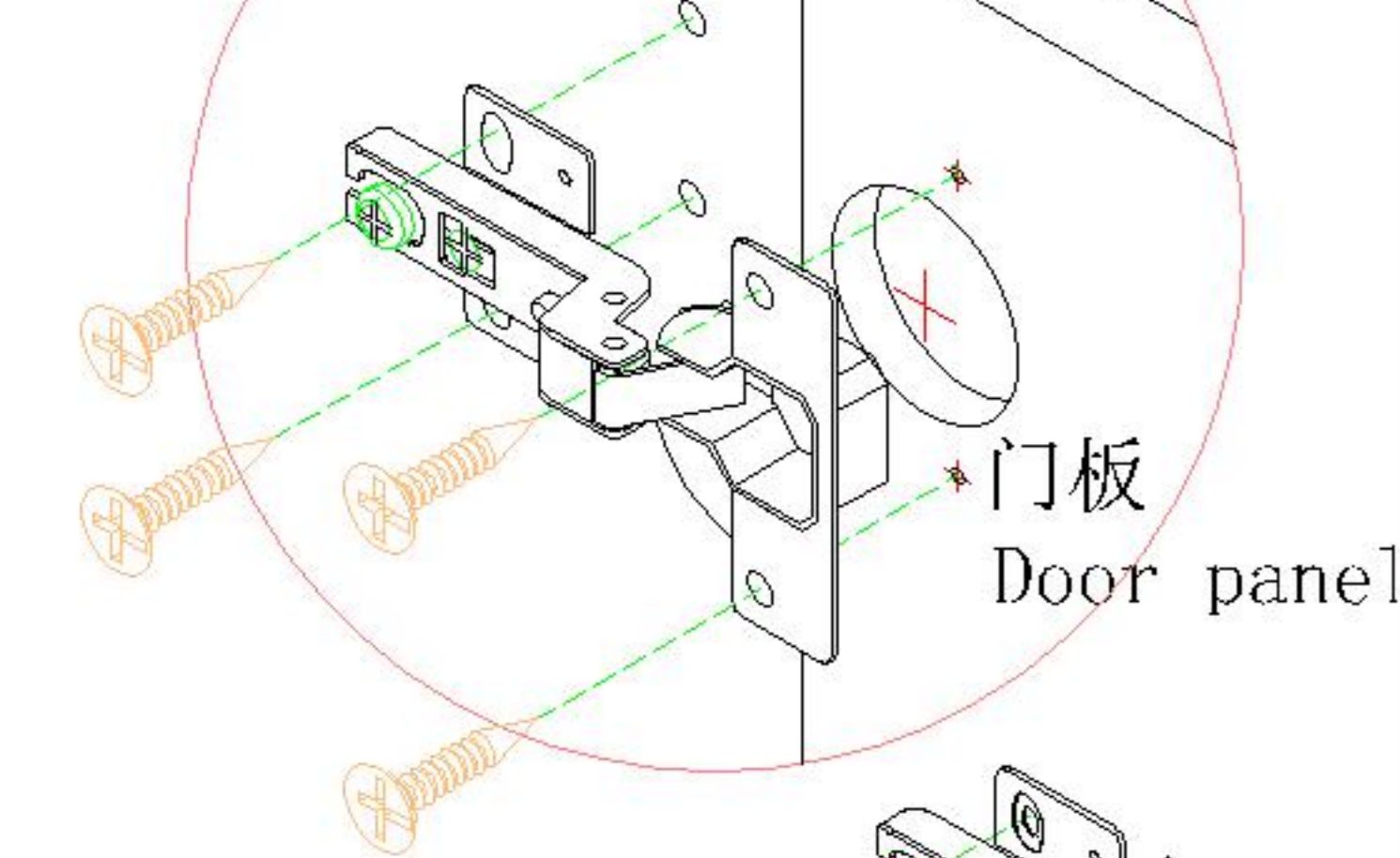
中弯middle bending



直弯straight bending

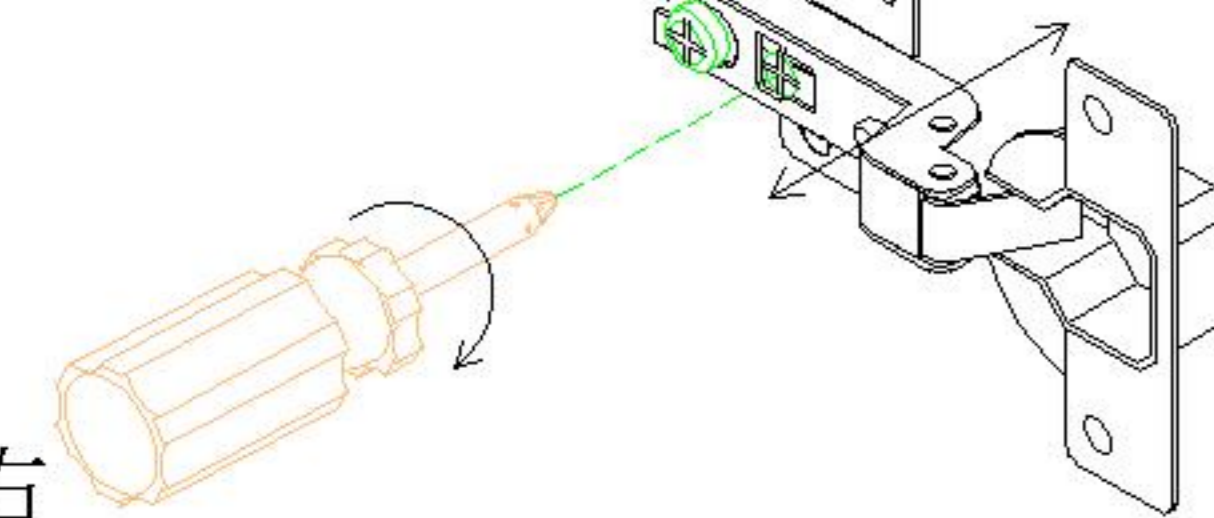


侧板
side board

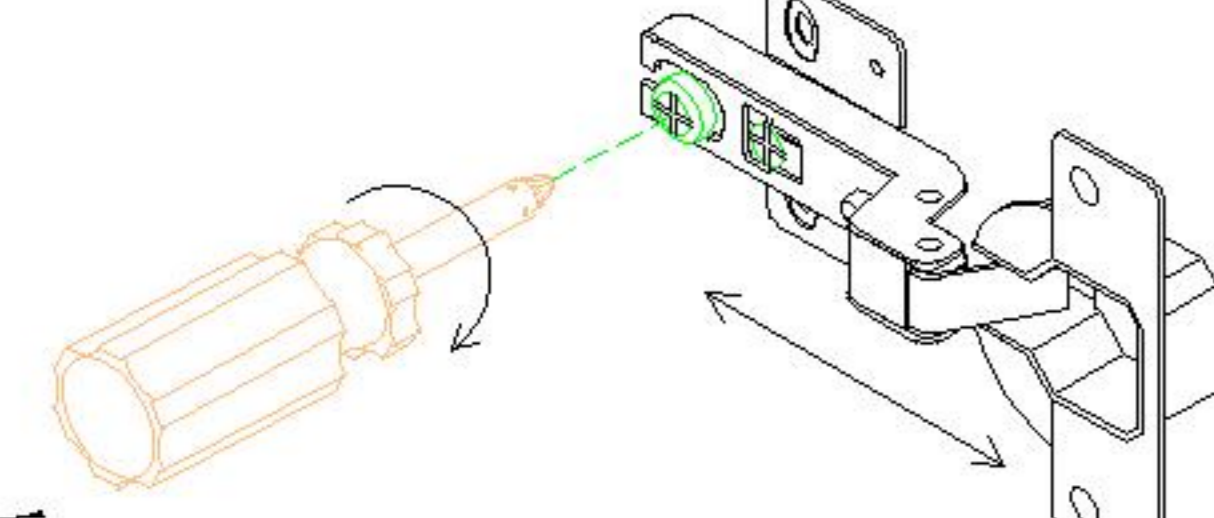


门板
Door panel

调节上下
Adjust up and down



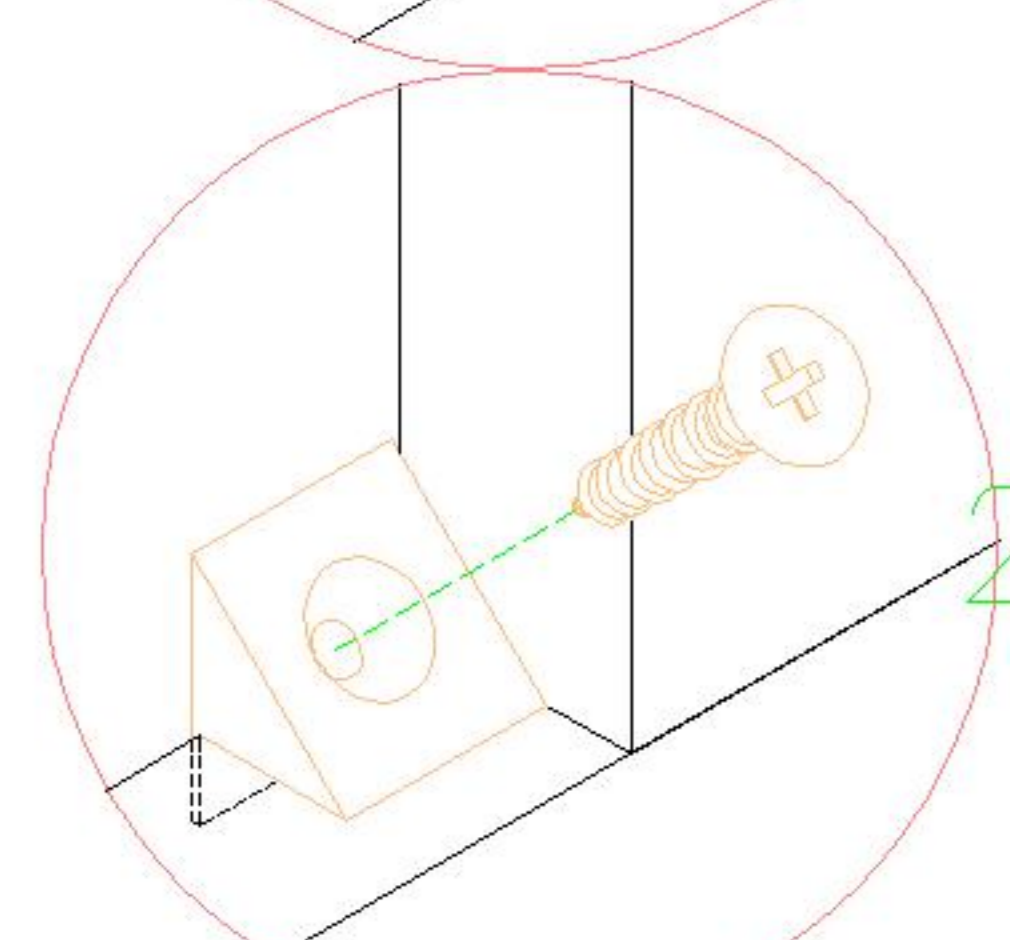
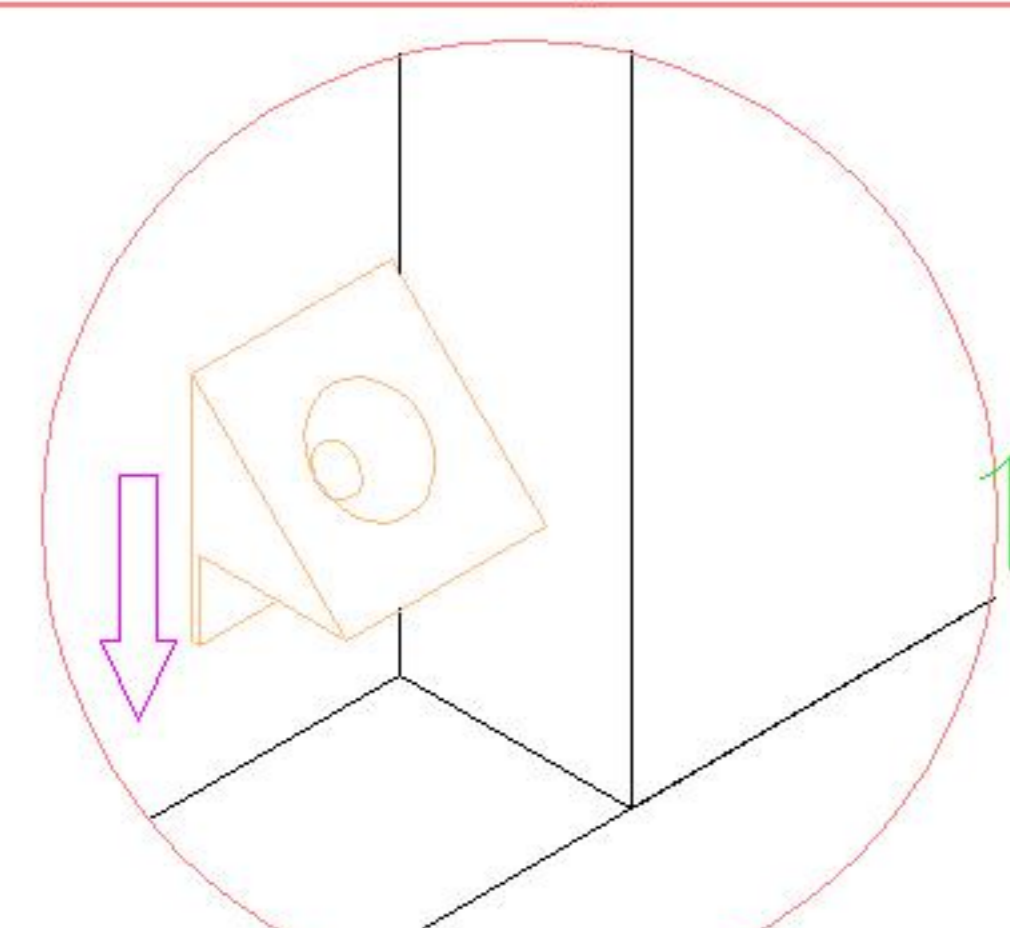
调节左右
Adjust left and right



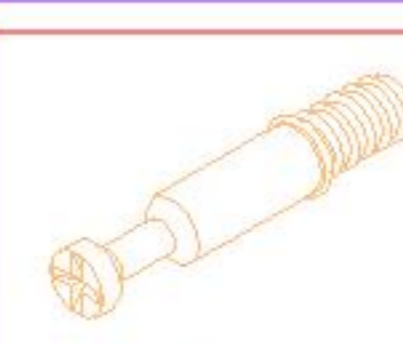
调节前后
Before and after adjustment



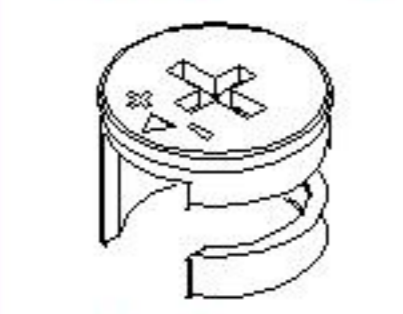
门铰
Hinge



背板扣
Back Plate Buckle-White



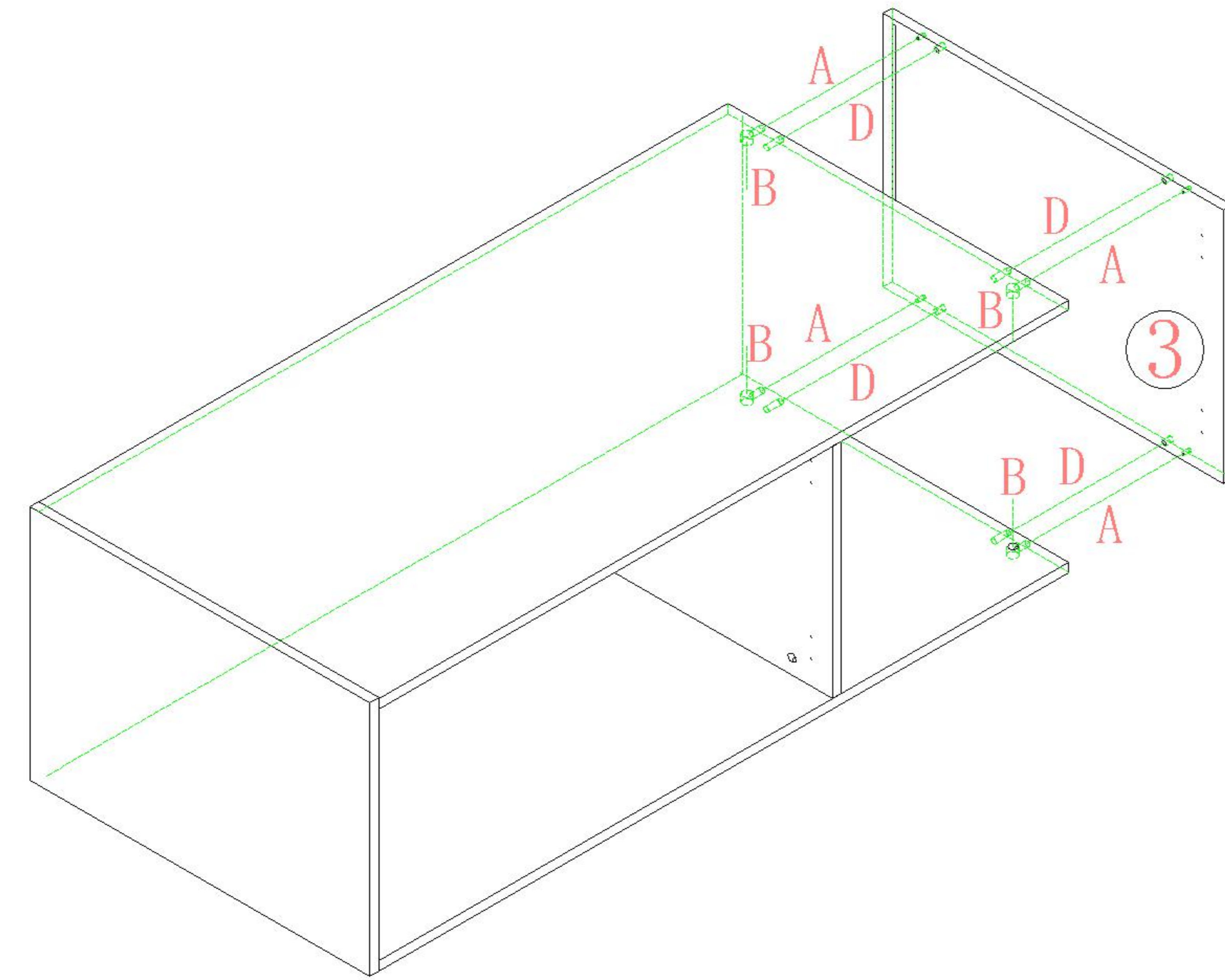
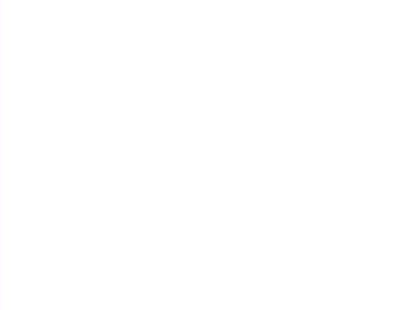
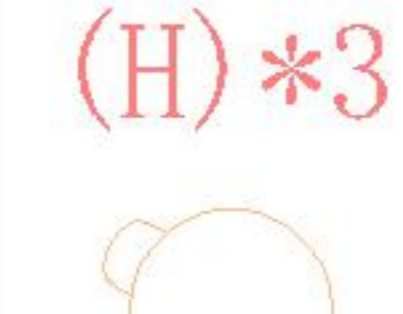
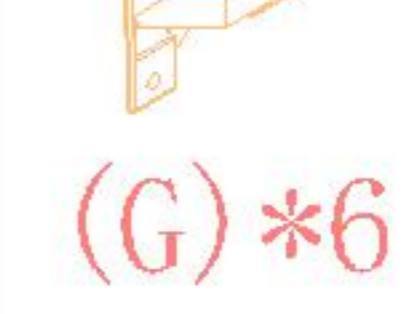
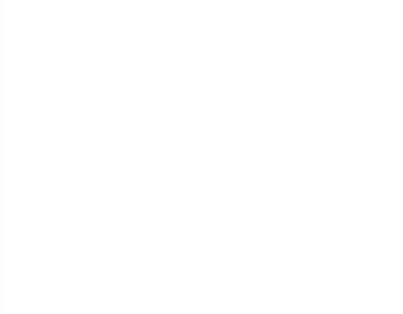
(A)*4



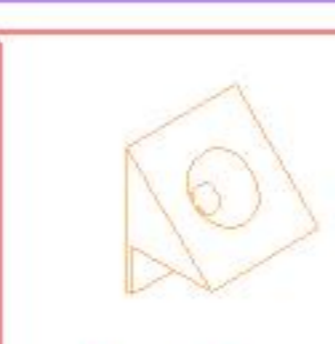
(B)*4



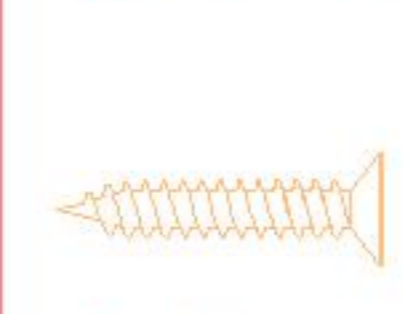
(D)*4



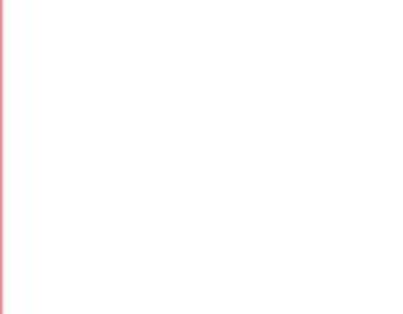
5



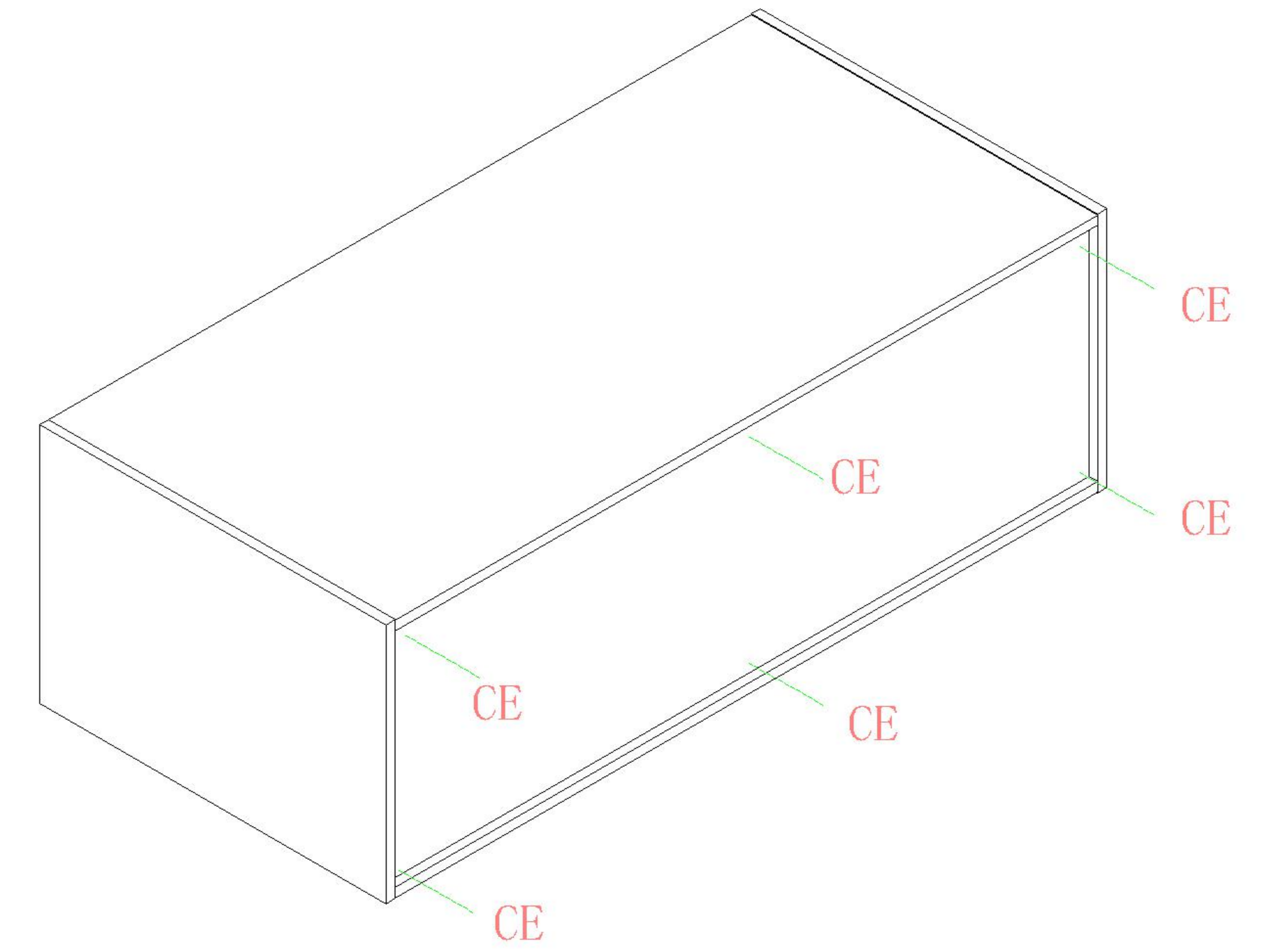
(C)*6



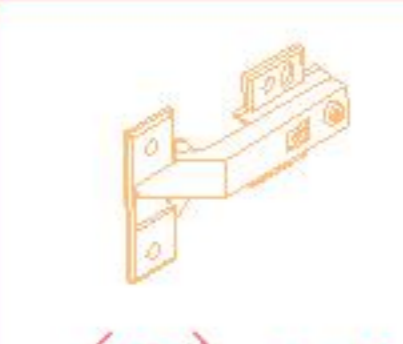
(E)*6



6



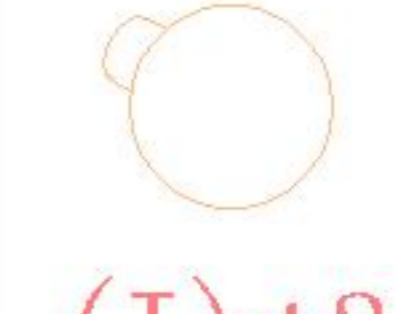
7



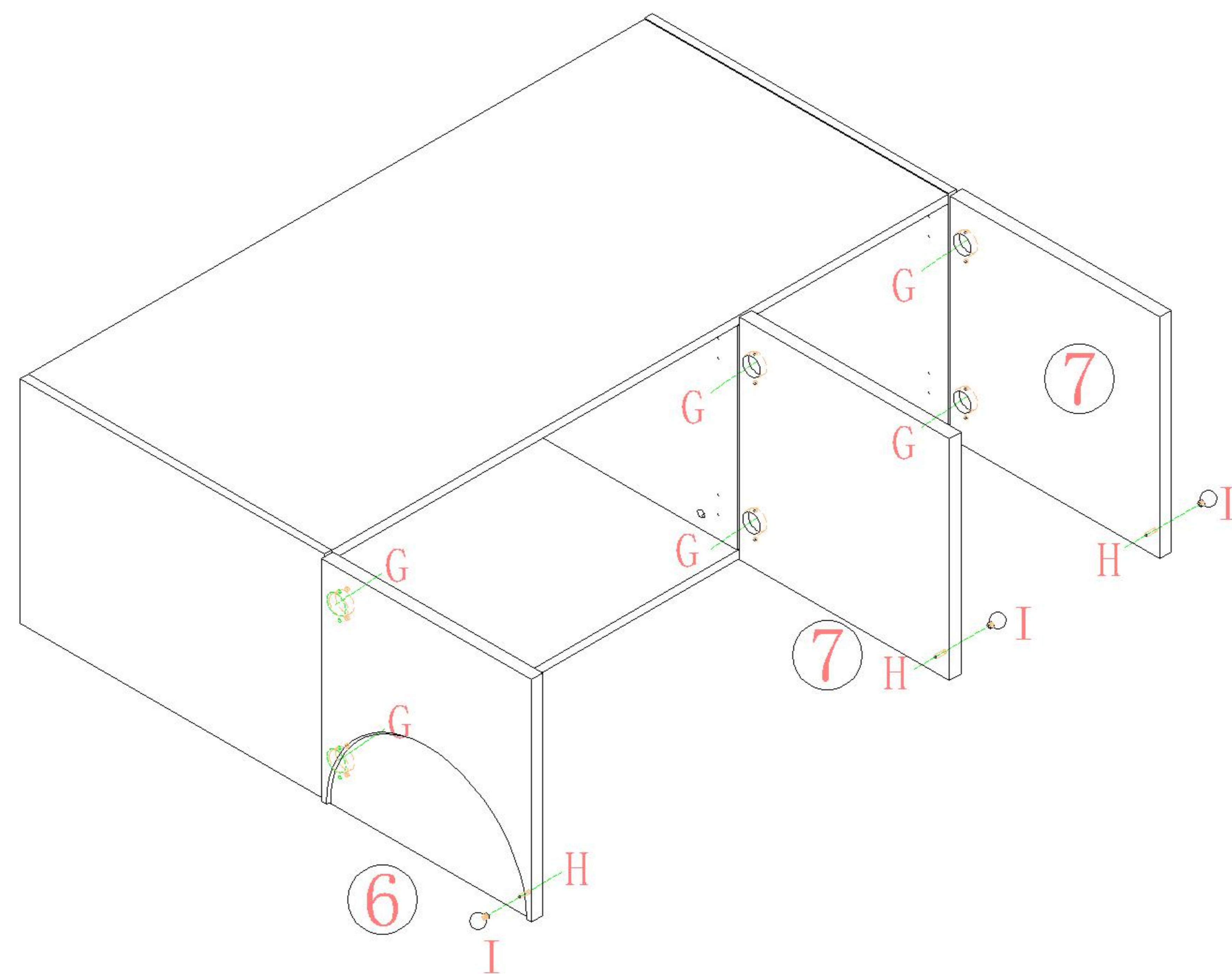
(G)*6



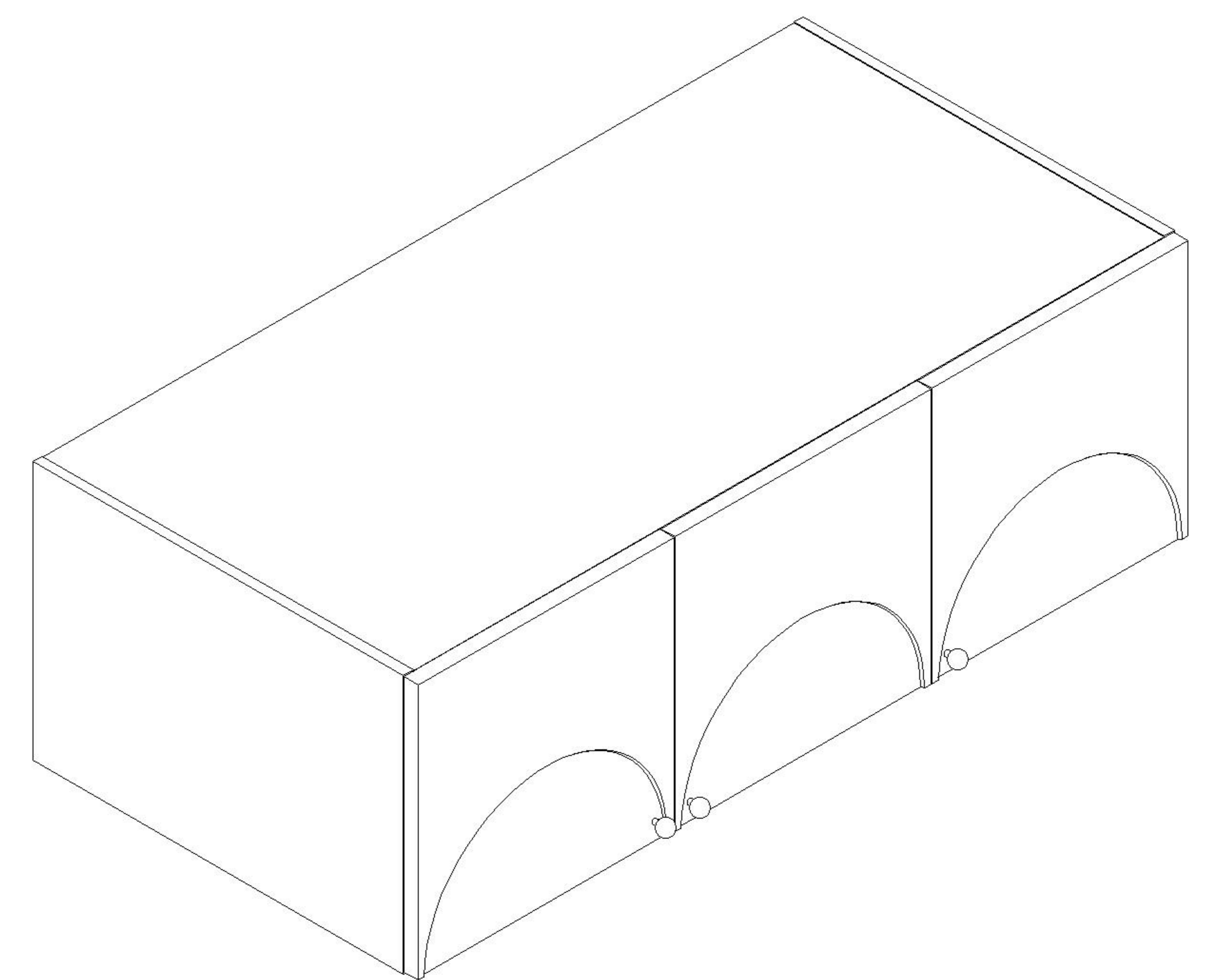
(H)*3



(I)*3



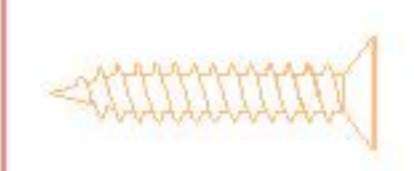
8



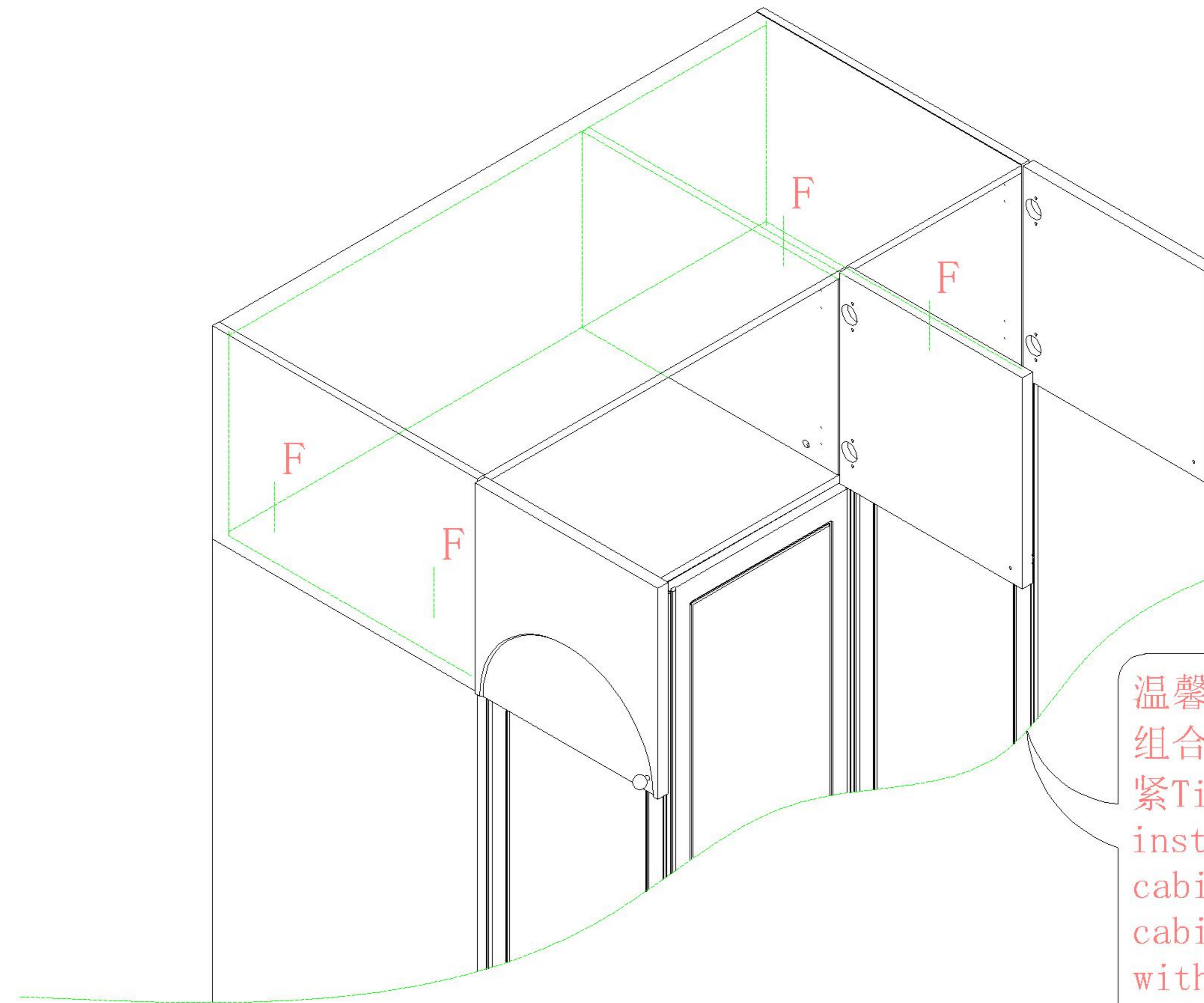
▲安装完成
Installation is complete

TE13D-A

安装方法/
Installation method



(F)*4



温馨提示：安装完成后，顶柜与组合柜要在合适位置用五金F锁紧
Tips: After the installation, the top cabinet and the combination cabinet should be locked with hardware F at appropriate positions