

LINSY 林氏家居

五金表/Hardware list

部件表/Parts List

安装示意图/Assembly Instruction

产品名称 Model NO.

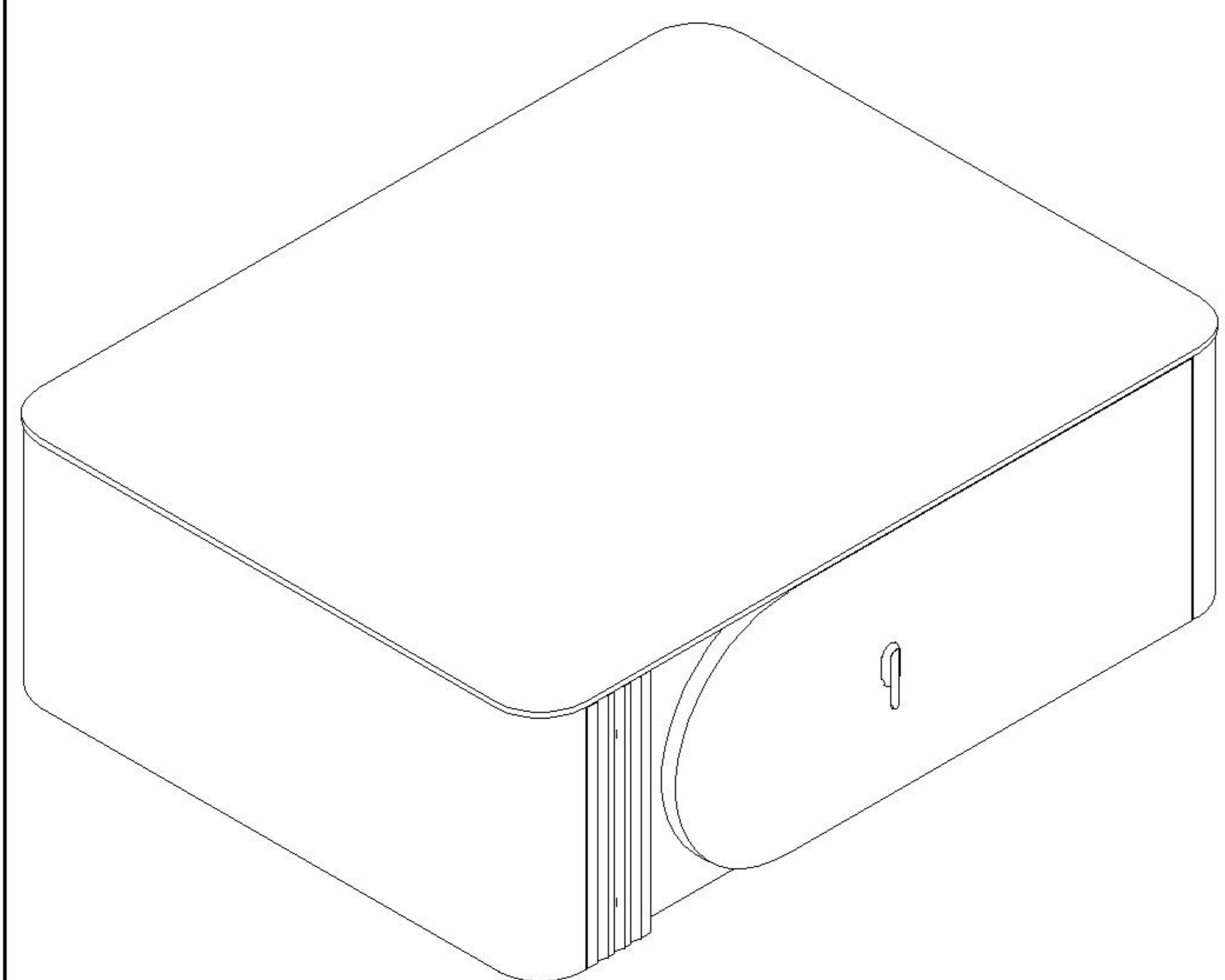
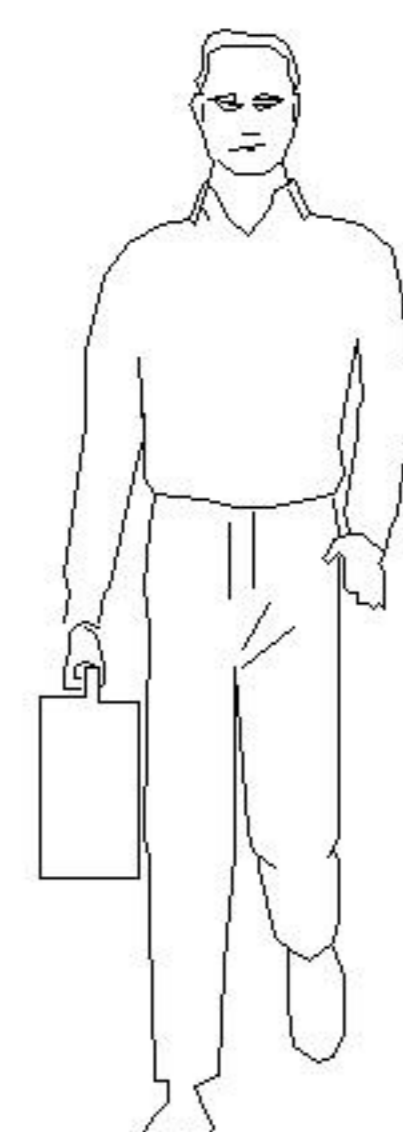
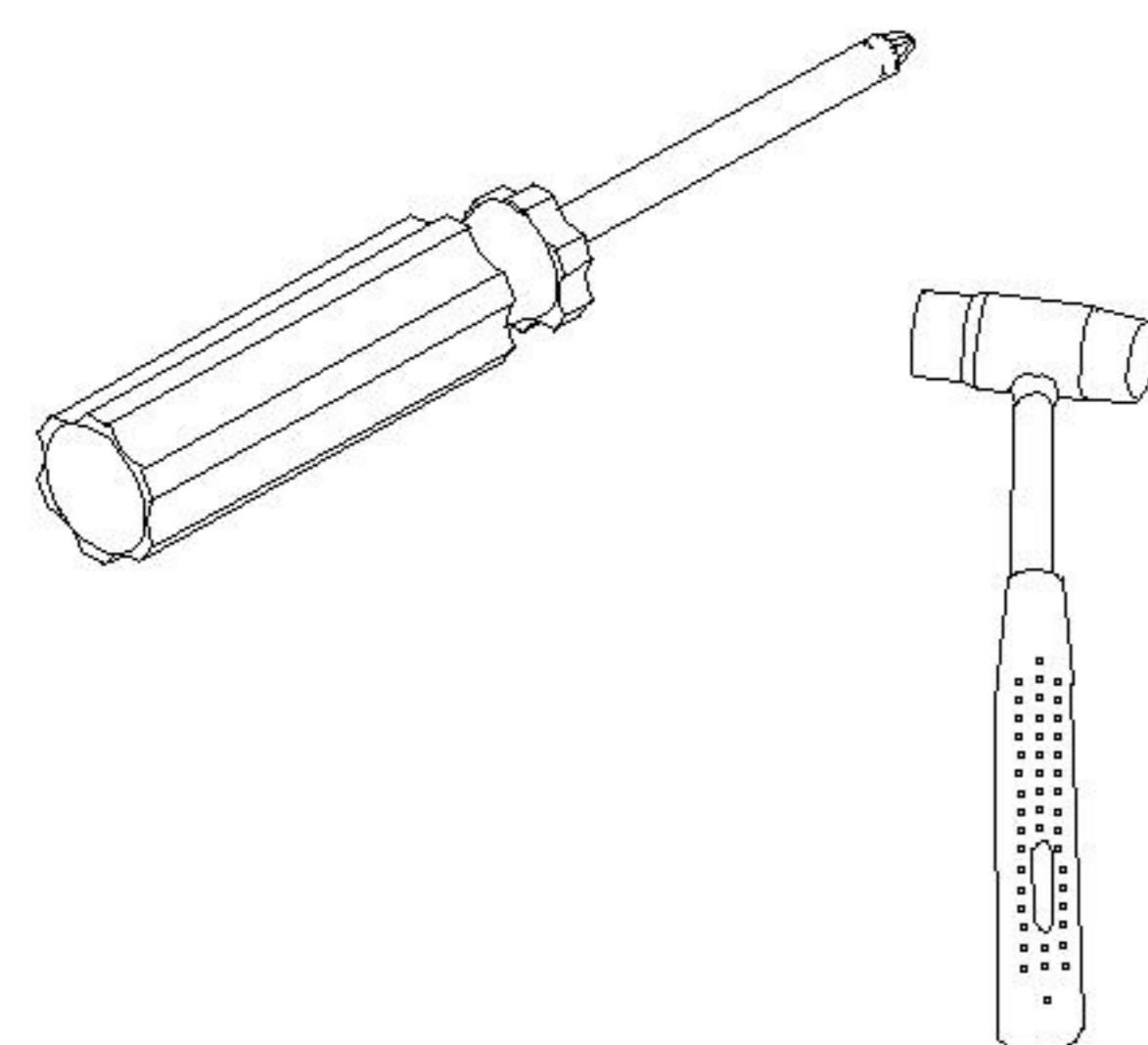
LY3L-A

产品规格 Specification

774*642*320mm

安装工具 Tool

安装人数 Installer

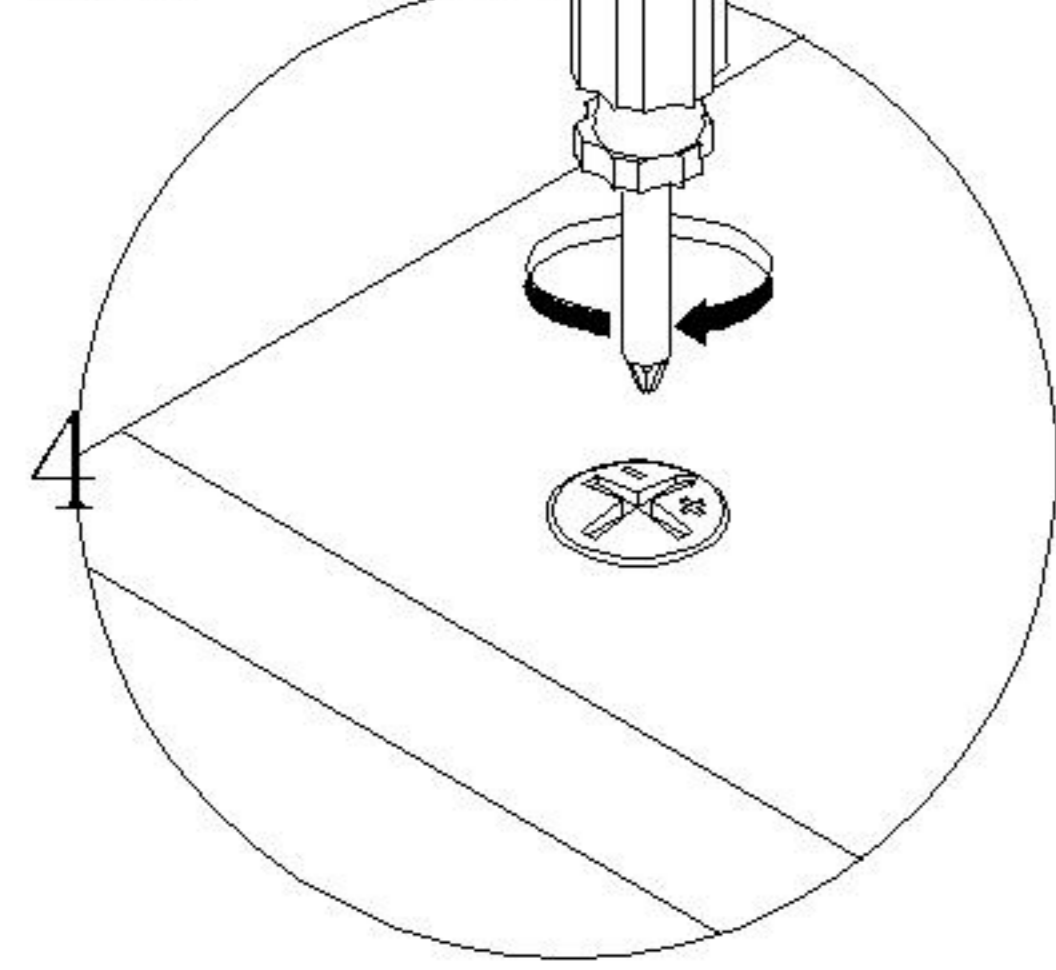
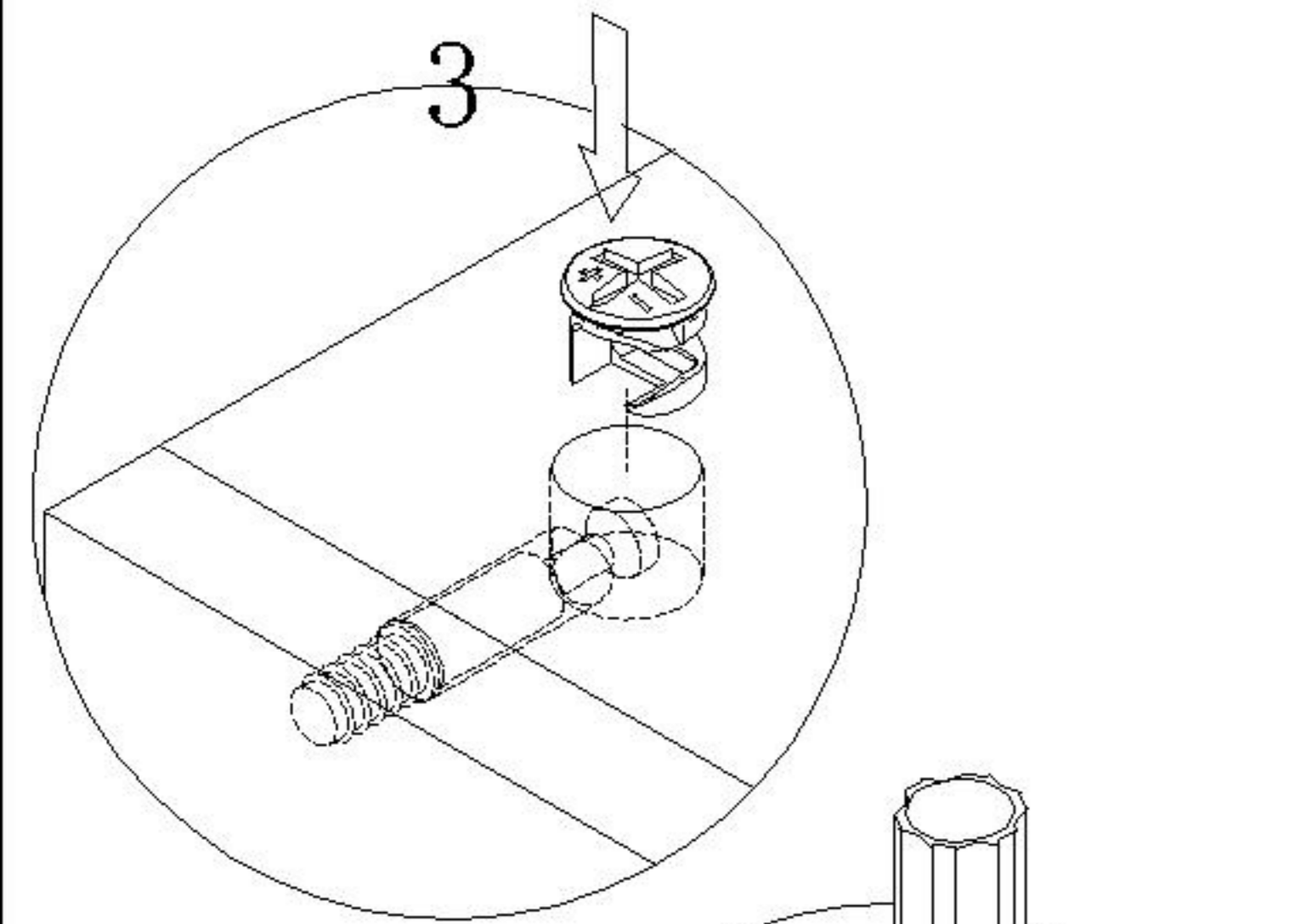
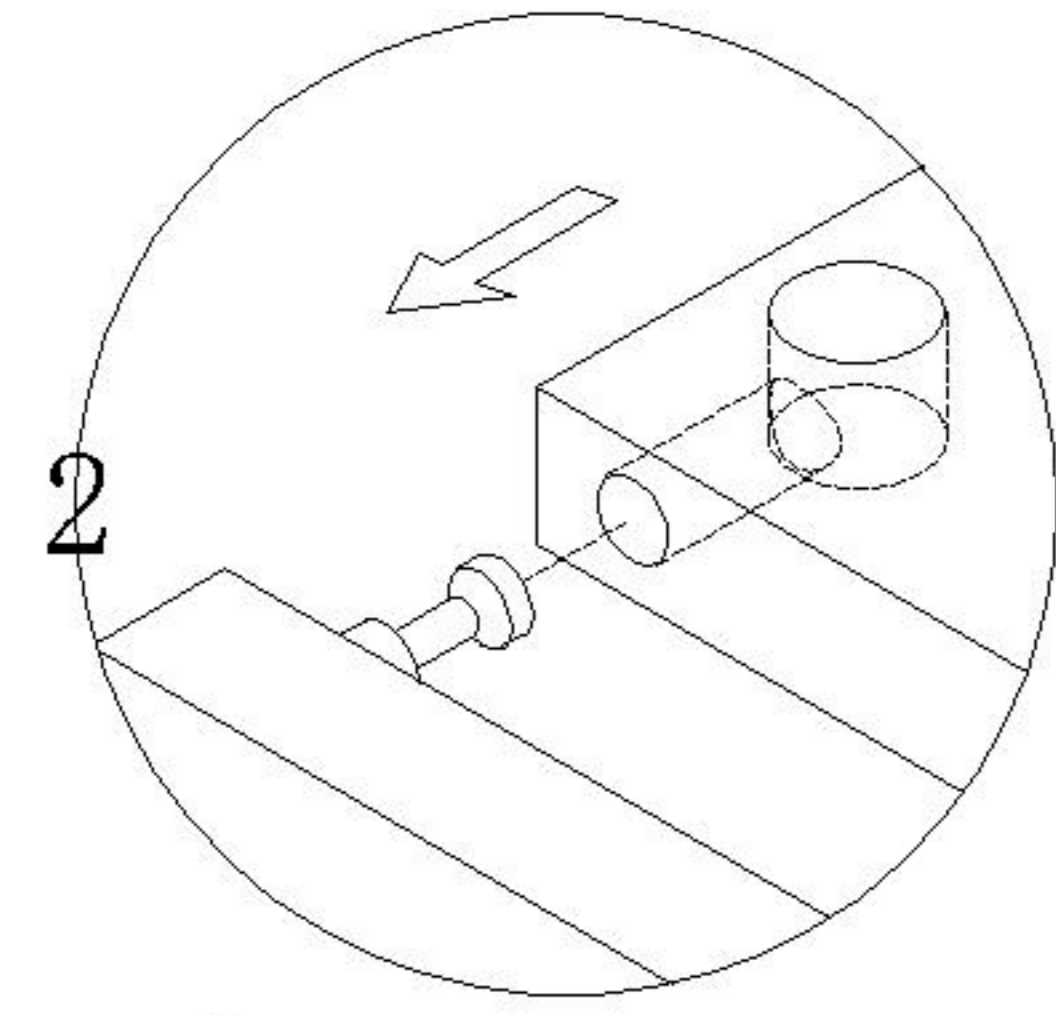
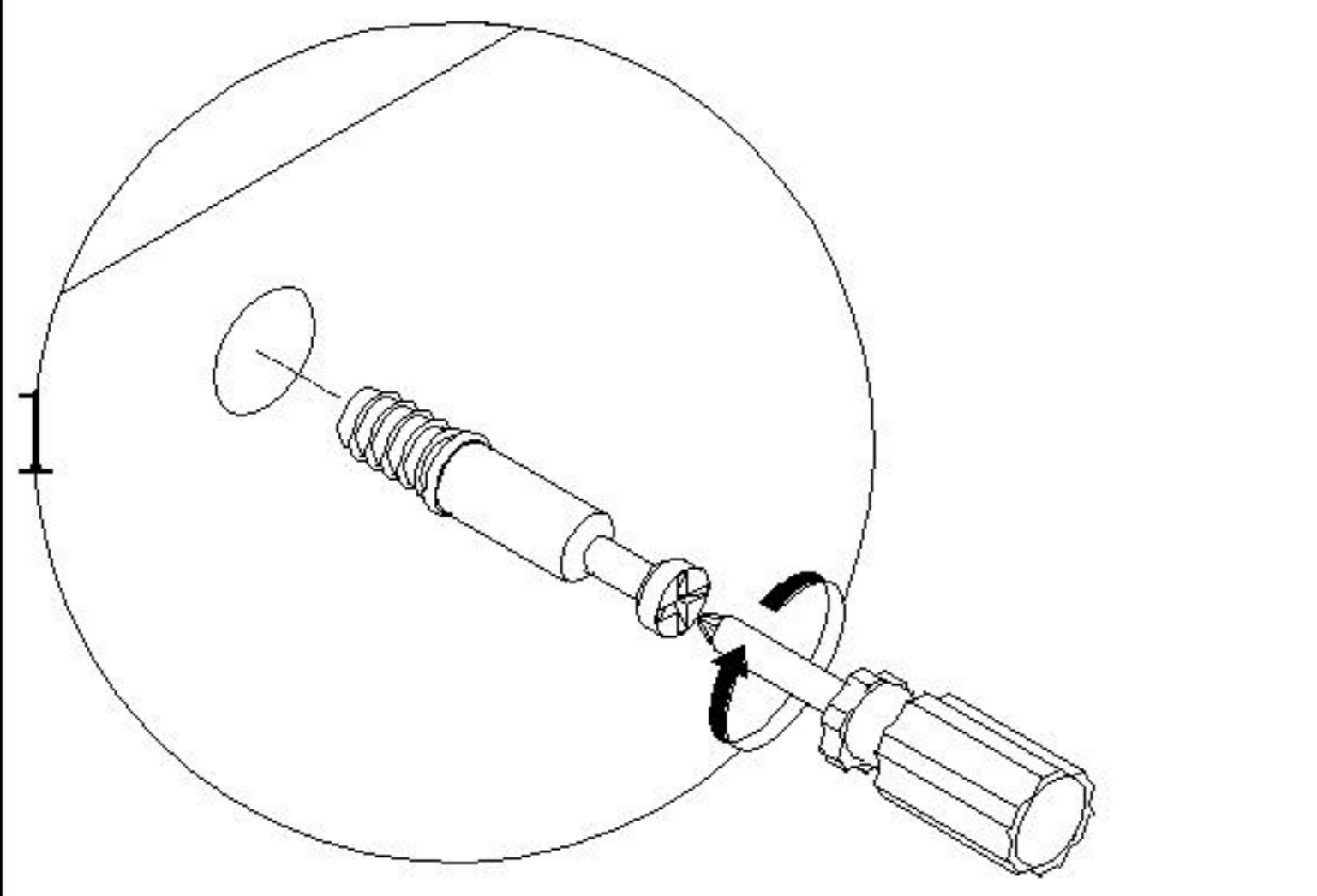


(A)* 8 脚垫-灰色 Footrest - Grey	(B)* 25 自攻螺丝M3.5x12mm Self-tapping screw	(C)* 2 拉手螺丝-M4x35mm pulling screw	(D)* 12 斜边十字螺杆-M6x25 bevel cross screw
(E)* 29 大三合一锁饼(15mm) Three-in-one large lock	(F)* 6 透明圆形玻璃防滑垫 Round rubber pad	(G)* 8 木榫Ø8x30mm wood tenon	(H)* 29 二合一螺杆(35mm) 2-in-1 screw
(I)* 13 塑料螺母 Plastic Nut	(J)* 13 小三合一锁饼(13mm) small three-in-one lock	(K)* 13 小二合一杆7*28 small two-in-one rod	(L)* 13 自攻螺丝M4x40mm Self-tapping screw
(M)* 8 L型角码14x21x1.5 L-shaped corner code	(N)* 2 拉手 Handle	(O)* 2 三节滚珠导轨-10" three-section ball rail	(P)* 17 自攻螺丝M3.5x14mm Self-tapping screw

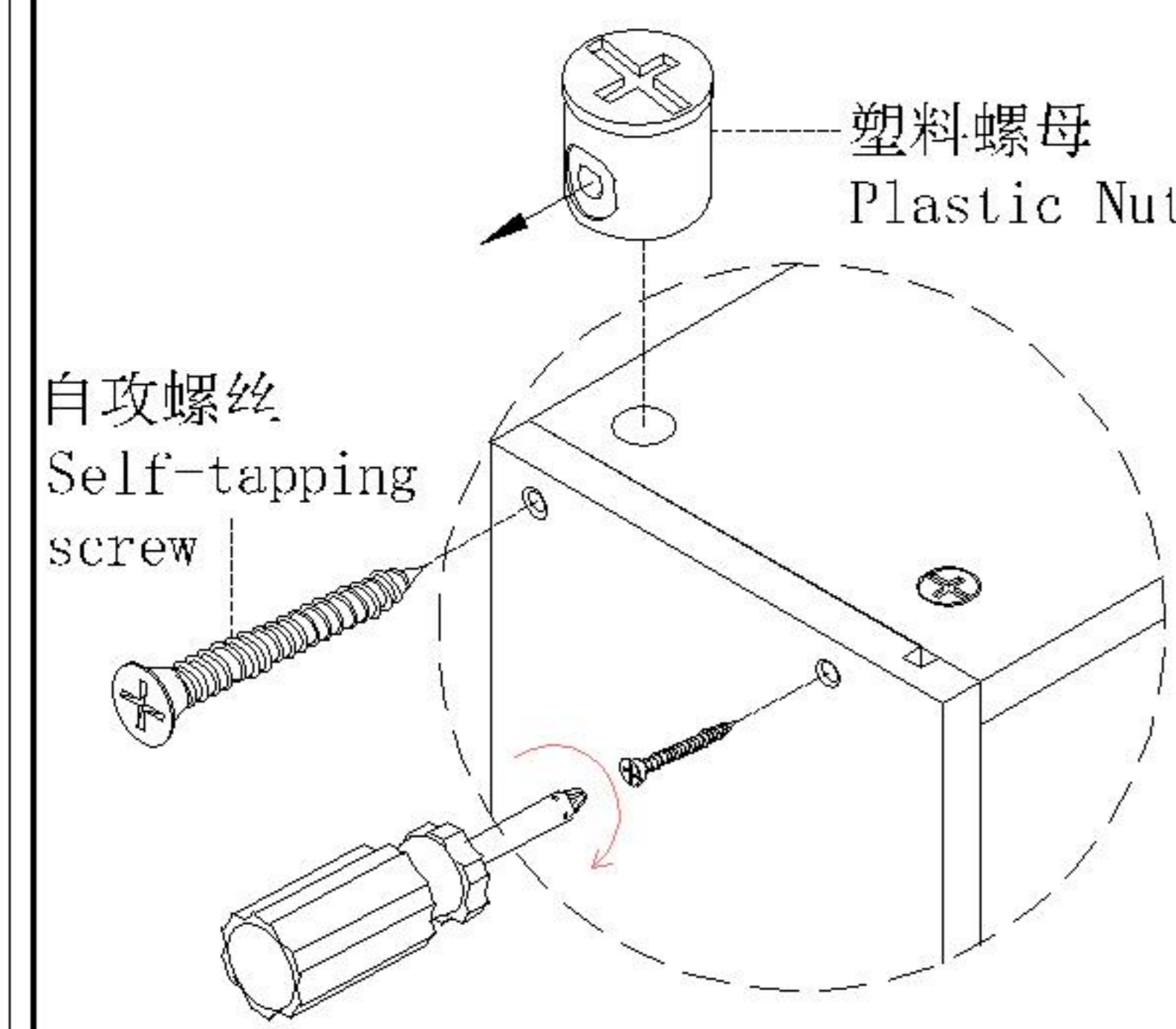
编号NO.	名称Name	规格 (mm) Specification	数量QTY	材质Material
①	面板 Top panel	670*540*15	1	三胺板Melamine
②	底板 Bottom board	670*540*15	1	三胺板Melamine
③	侧板 Side board	602*252*50	2	三胺板Melamine
④	中隔板 Middle clapboard	670*222*15	1	三胺板Melamine
⑤	前脚条 Front foot strip	570*58*15	2	三胺板Melamine
⑥	侧脚条 Side foot strip	372*58*15	2	三胺板Melamine
⑦	抽屉面板 Drawer's top panel	570*250*15	2	三胺板Melamine
⑧	装饰板 Decorating plate	250*70*15	2	三胺板Melamine
⑨	抽屉前板 Drawer's front board	666*250*15	2	中纤板MDF
⑩	抽屉右侧板 Drawer's side board (R)	260*142*12	2	三胺板Melamine
⑪	抽屉左侧板 Drawer's side board (L)	260*142*12	2	三胺板Melamine
⑫	抽屉后板 Drawer's Back board	620*142*12	2	三胺板Melamine
⑬	抽屉底托条 Drawer's bottom bracket	246*58*12	2	三胺板Melamine
⑭	抽屉底板 Drawer's Bottom board	630*256*5	2	三胺板Melamine
⑮	岩板 Sintered Stone	774*606*6	1	岩板Sintered Stone

LY3L-A

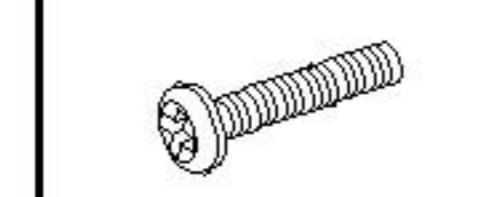
安装方法/
Installation method



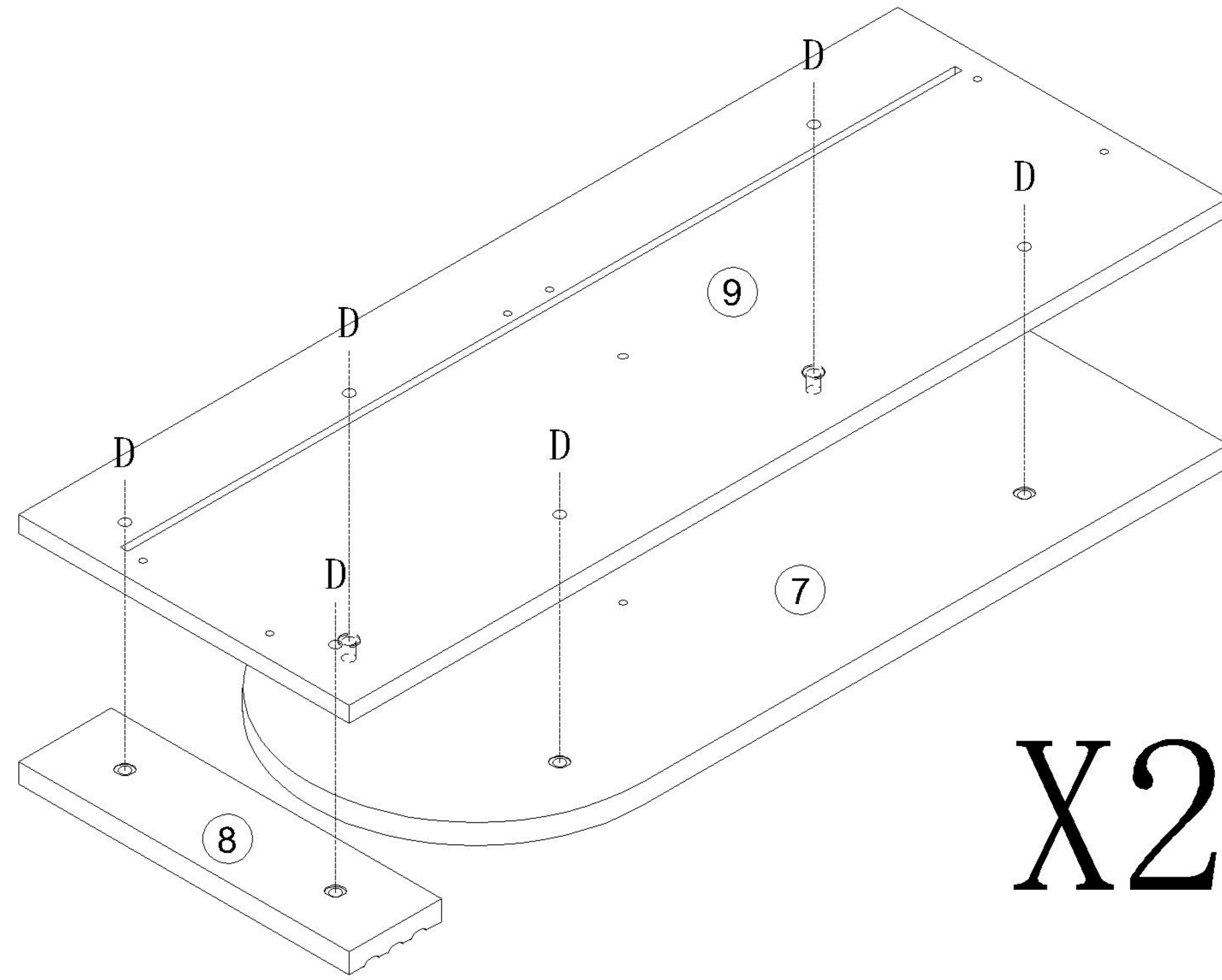
小二合一
small two-in-one



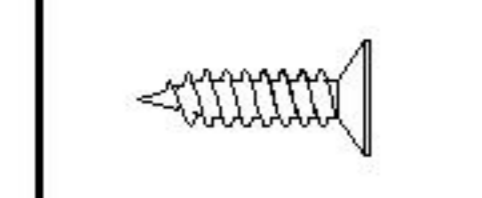
塑料螺母
Plastic Nut



(D)*12



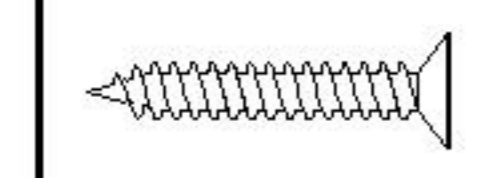
X2



(B)*12



(I)*12

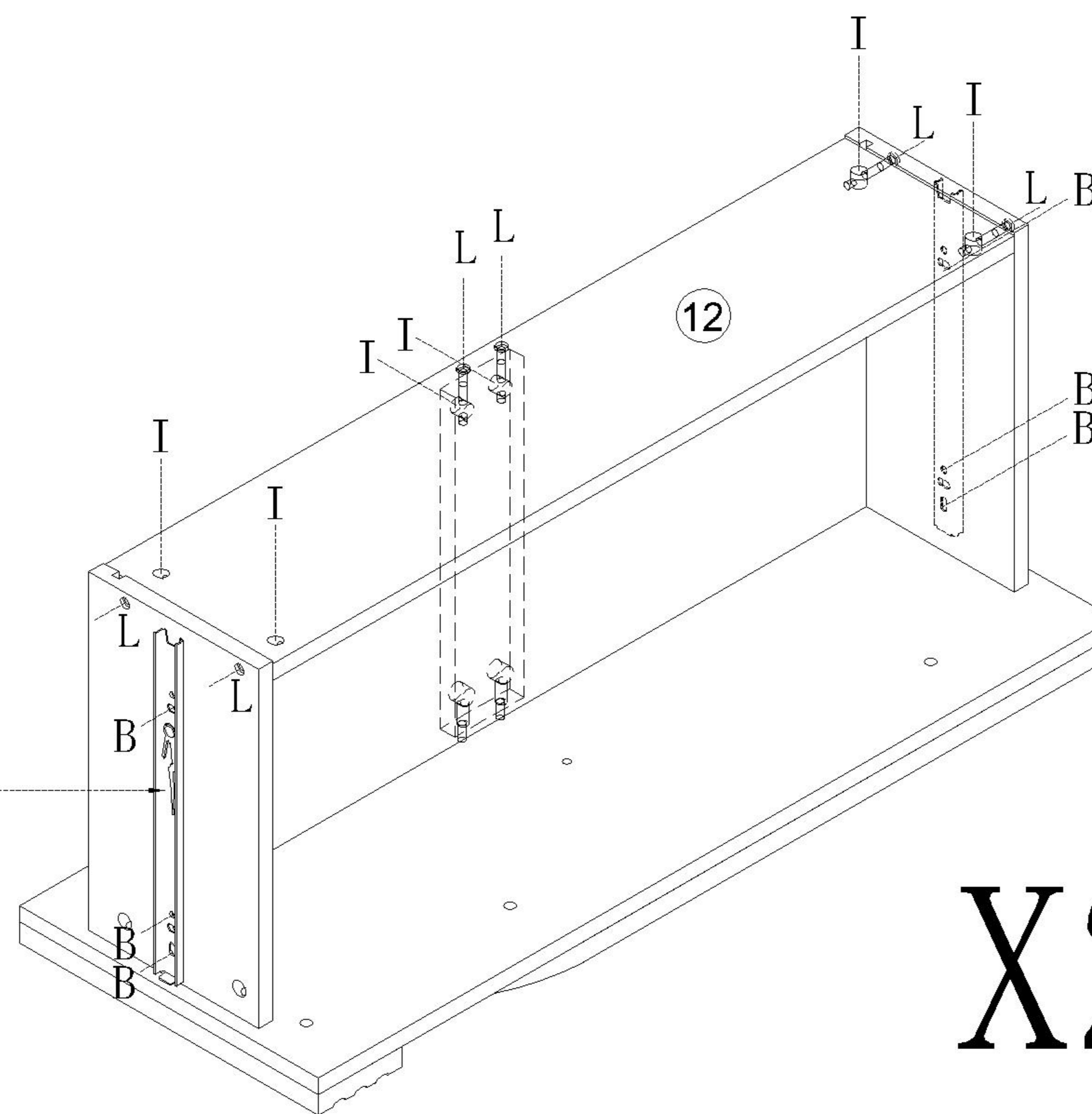


(L)*12



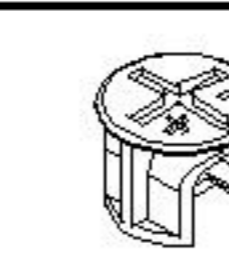
(O)*2

(O) 副轨
Sub rail

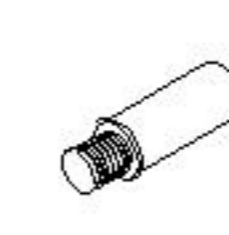


X2

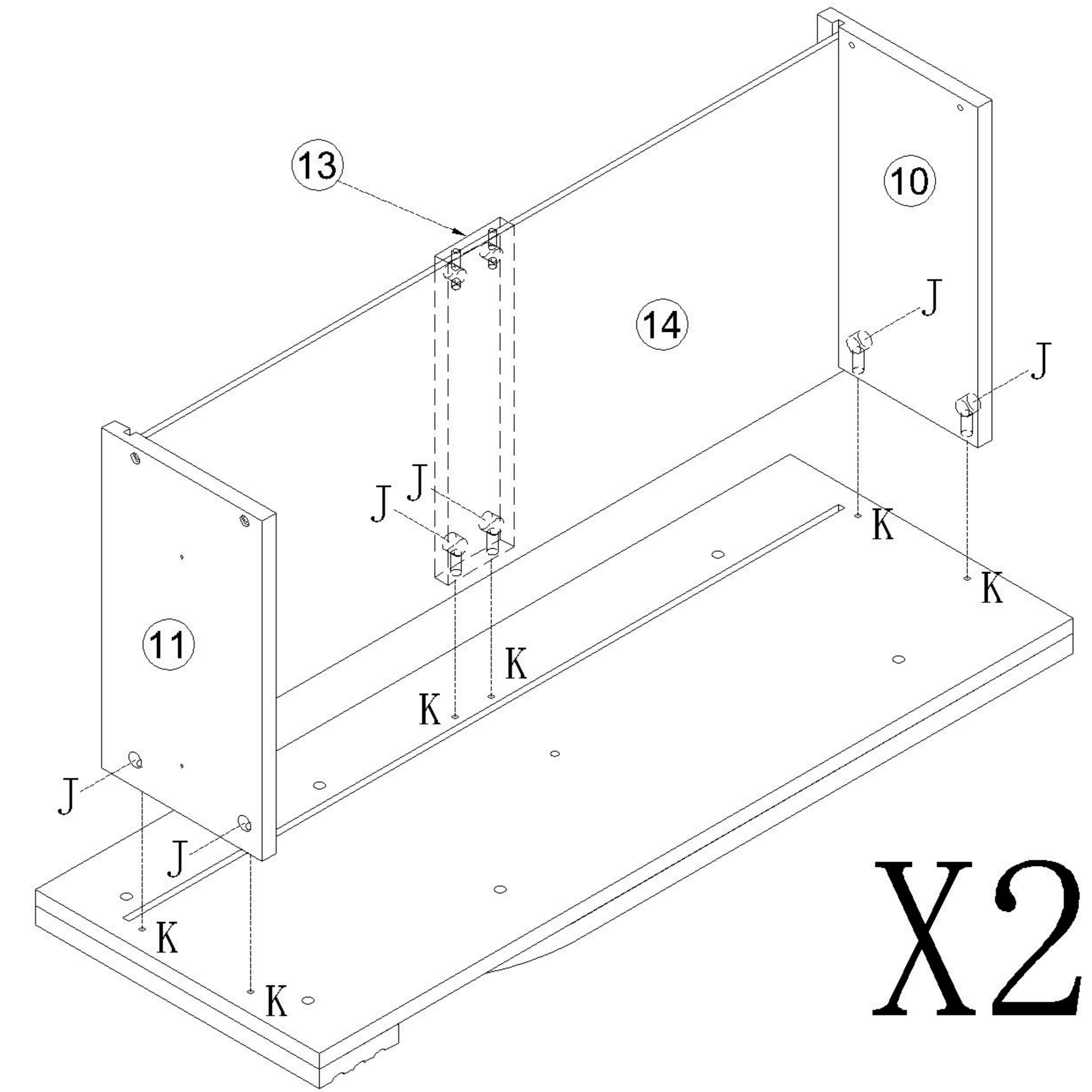
1



(J)*12



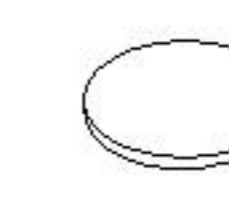
(K)*12



X2

2

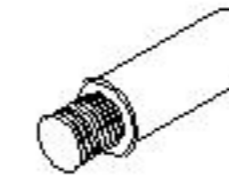
3



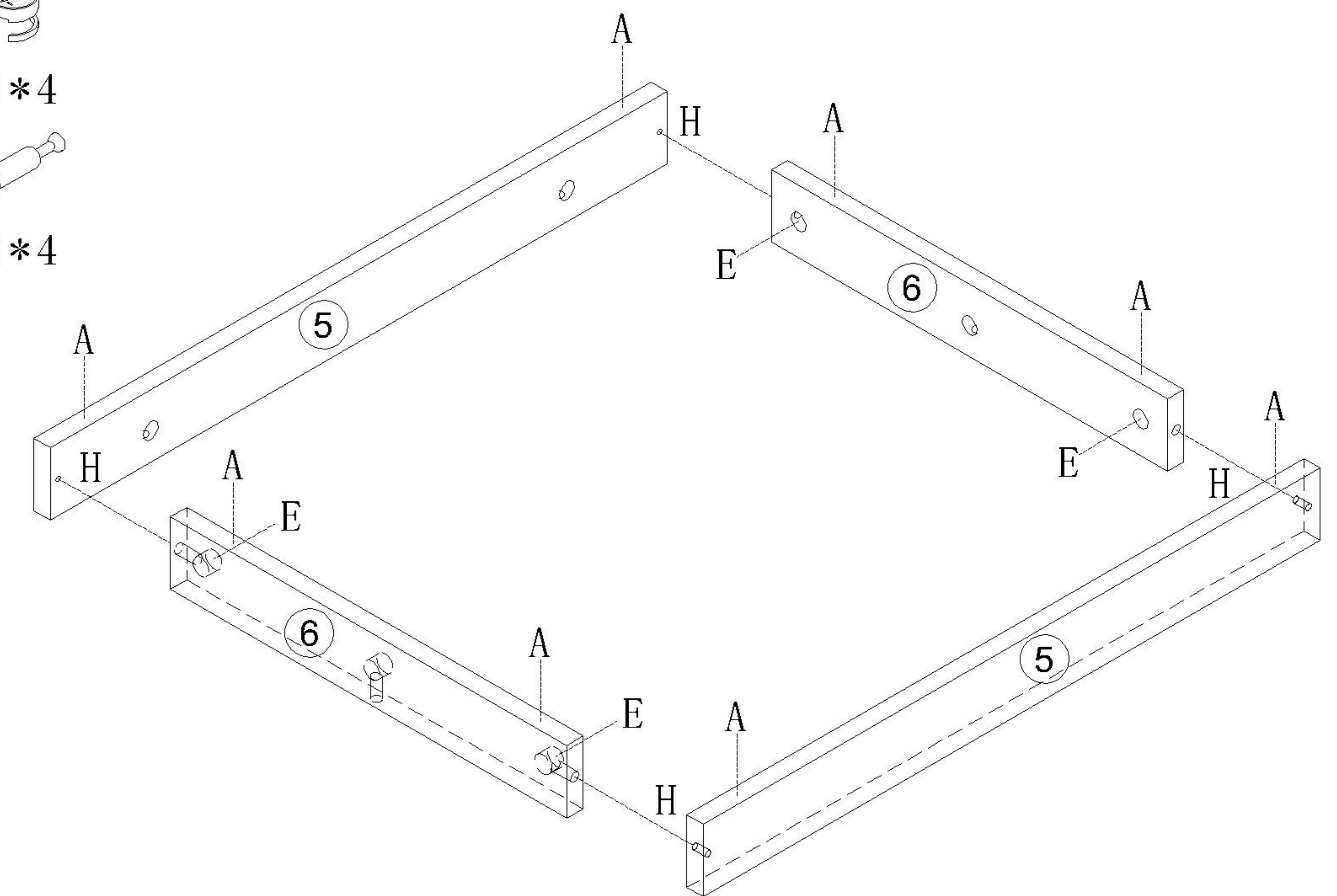
(A)*8



(E)*4



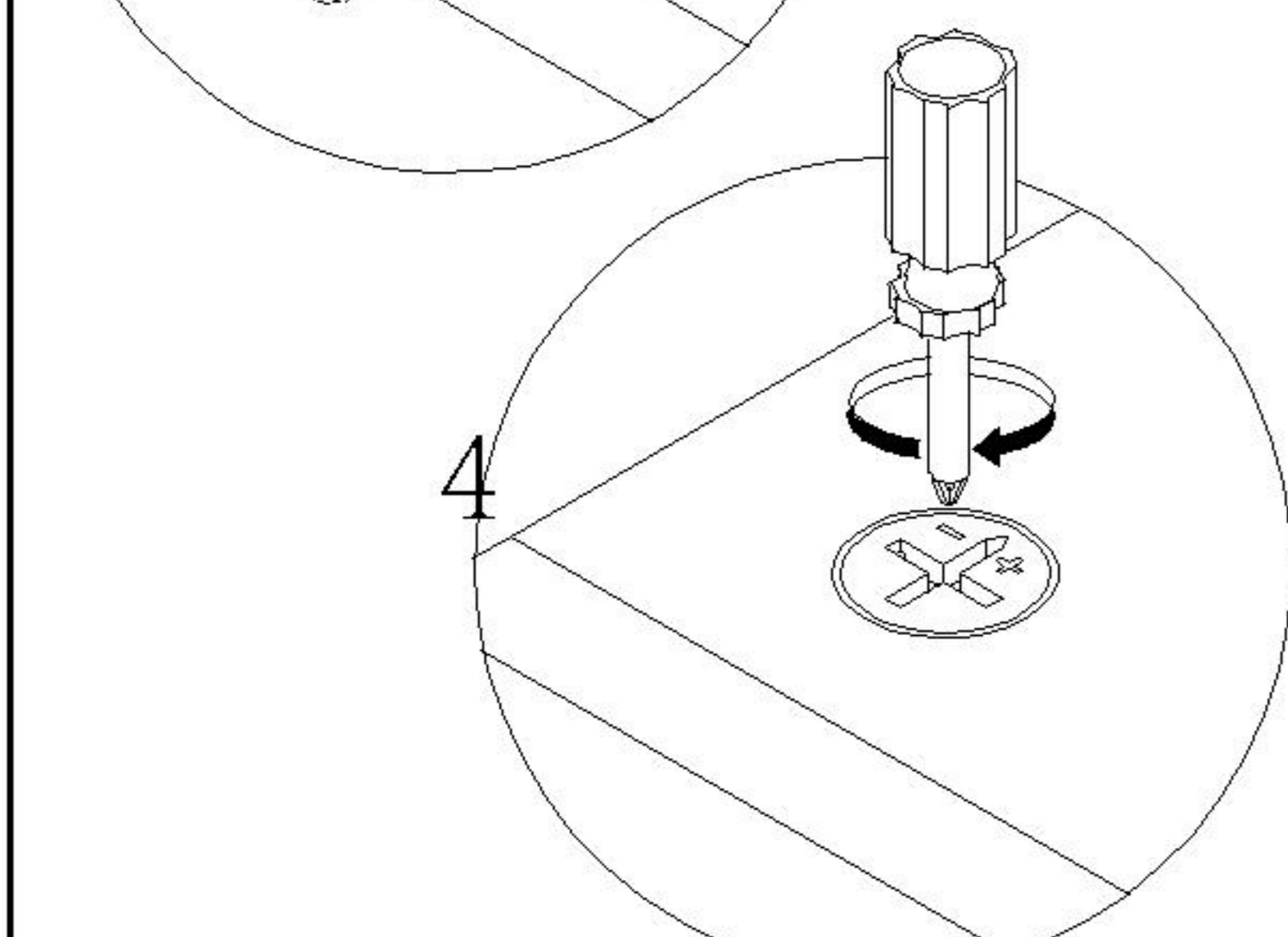
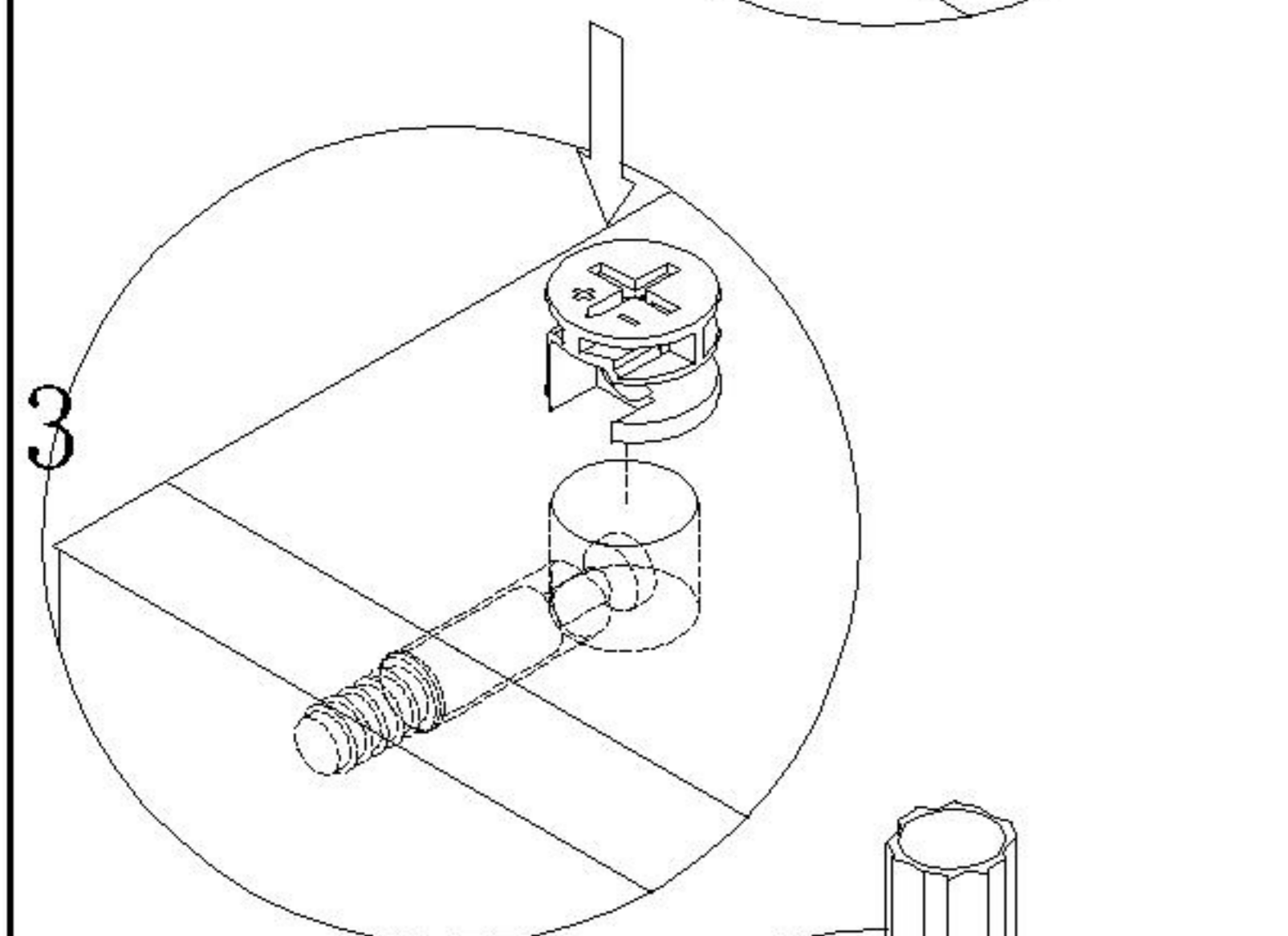
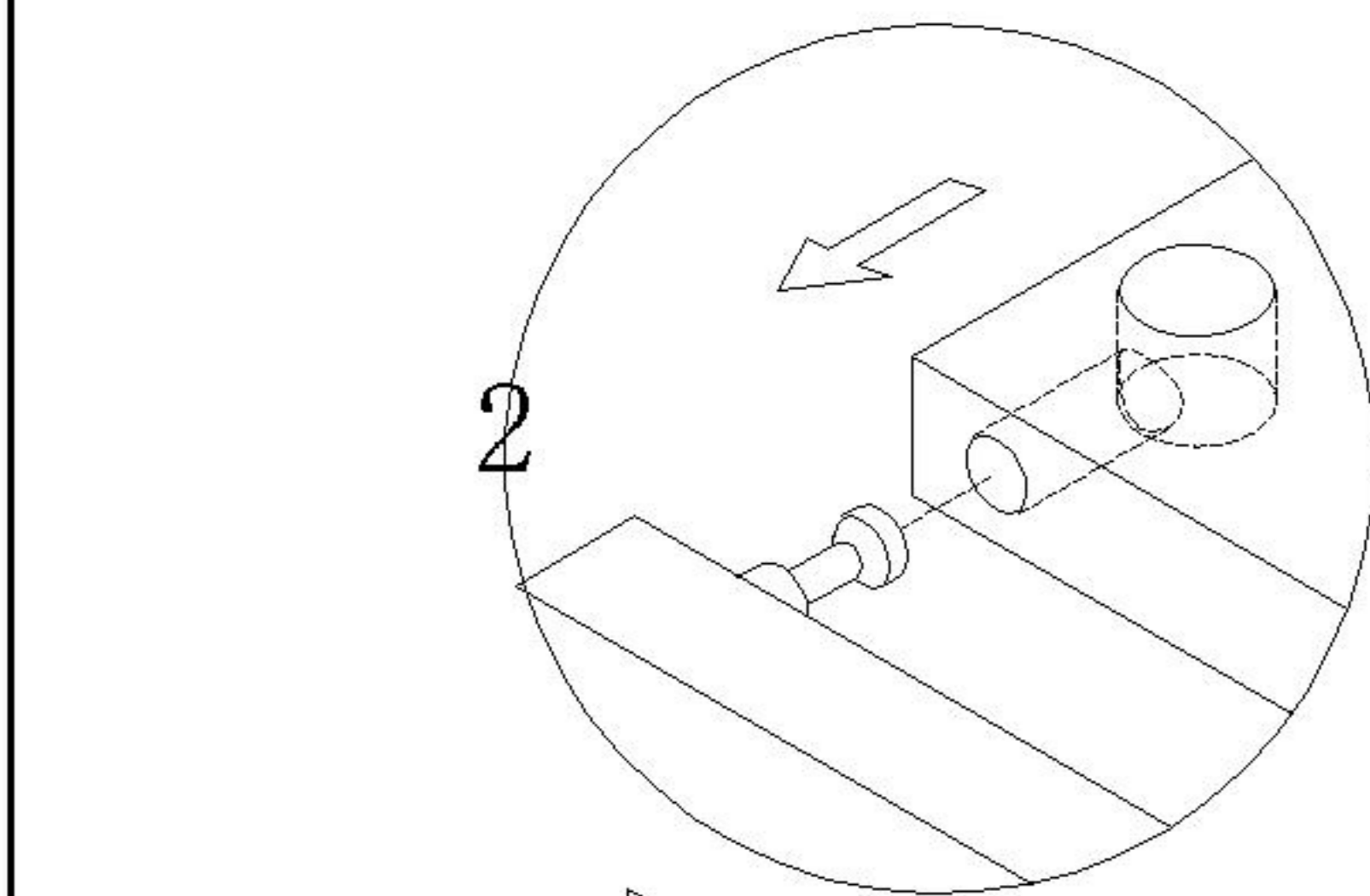
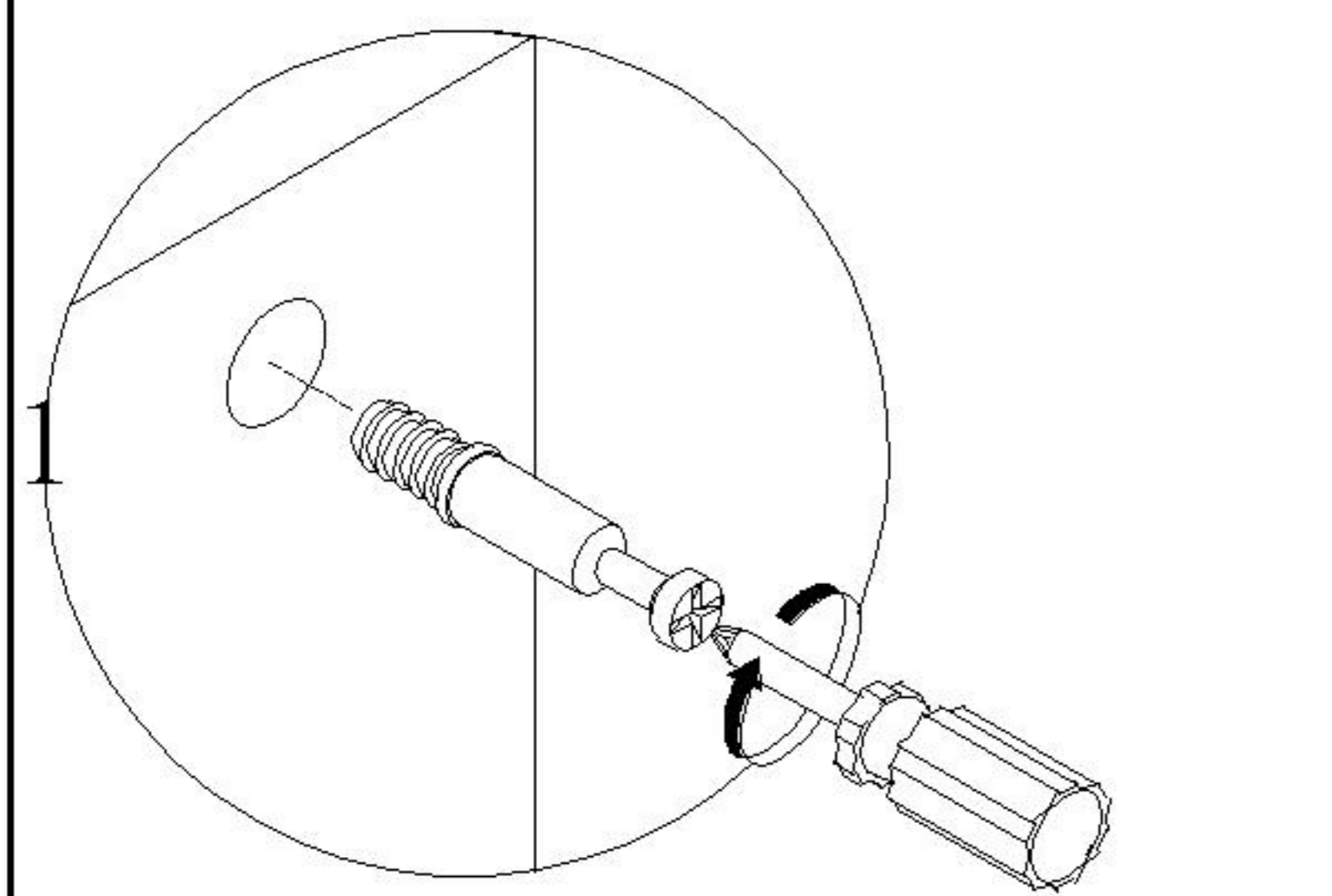
(H)*4



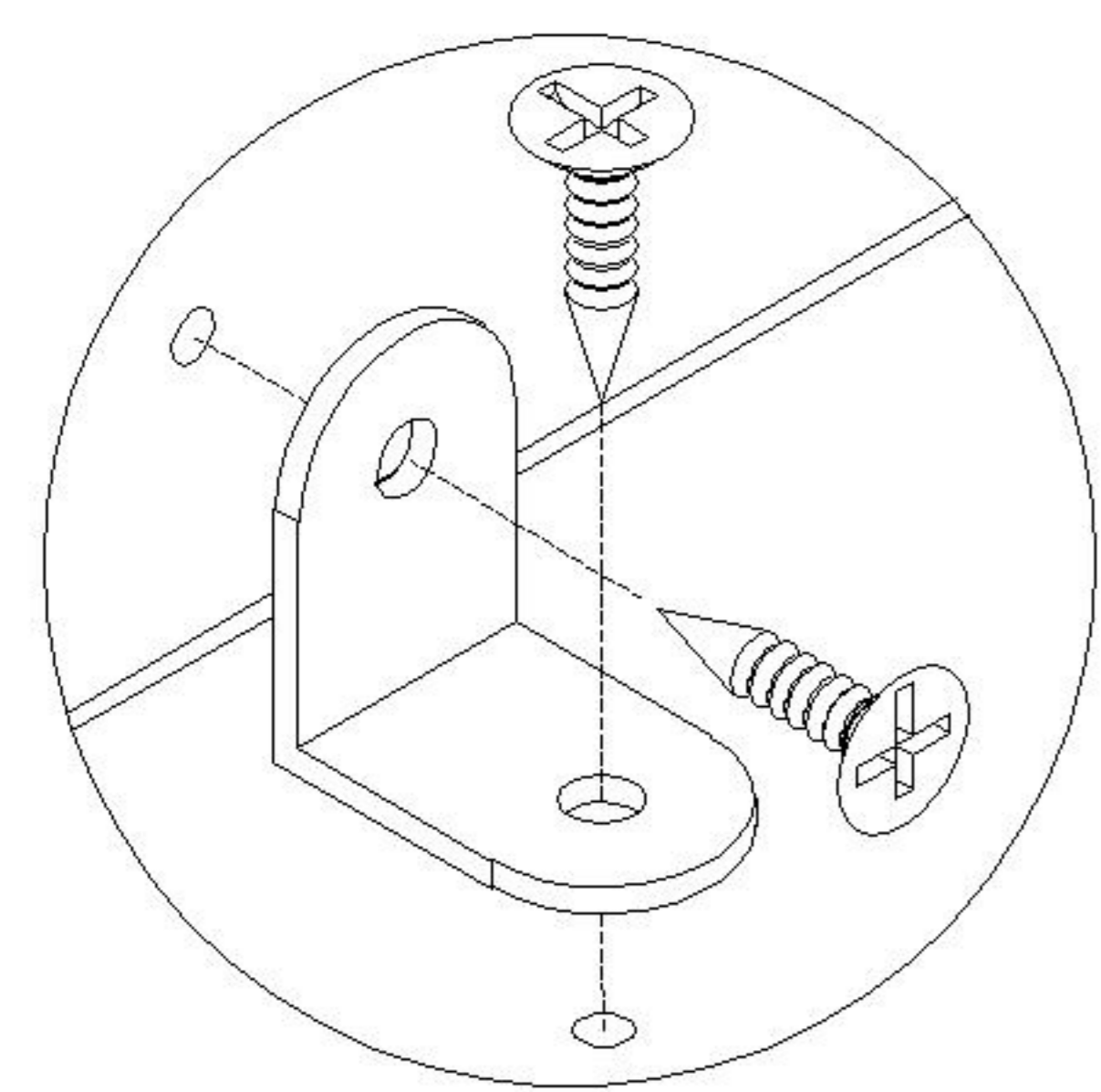
4

LY3L-A

安装方法/
Installation method

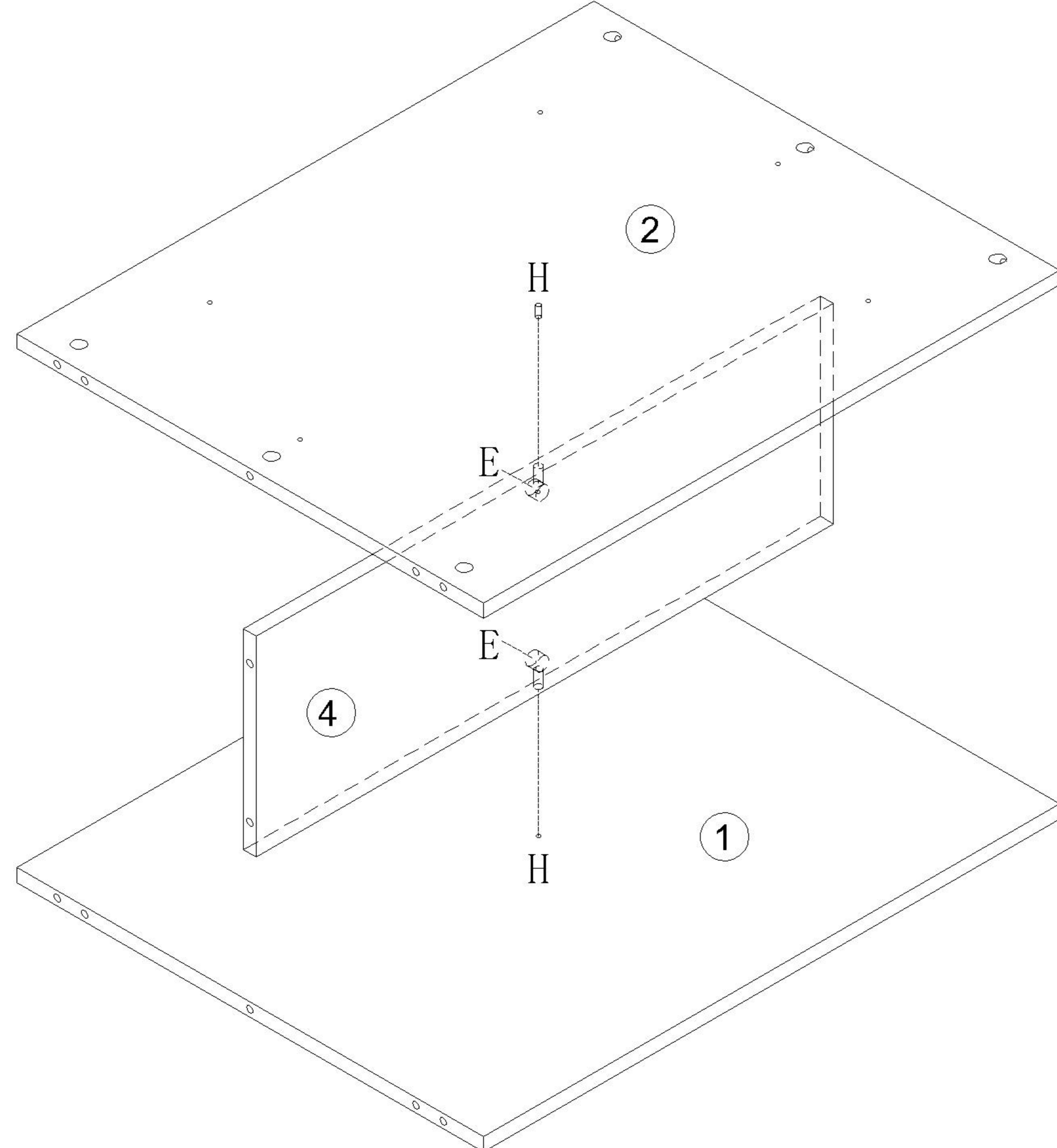


大二合一
two-in-one

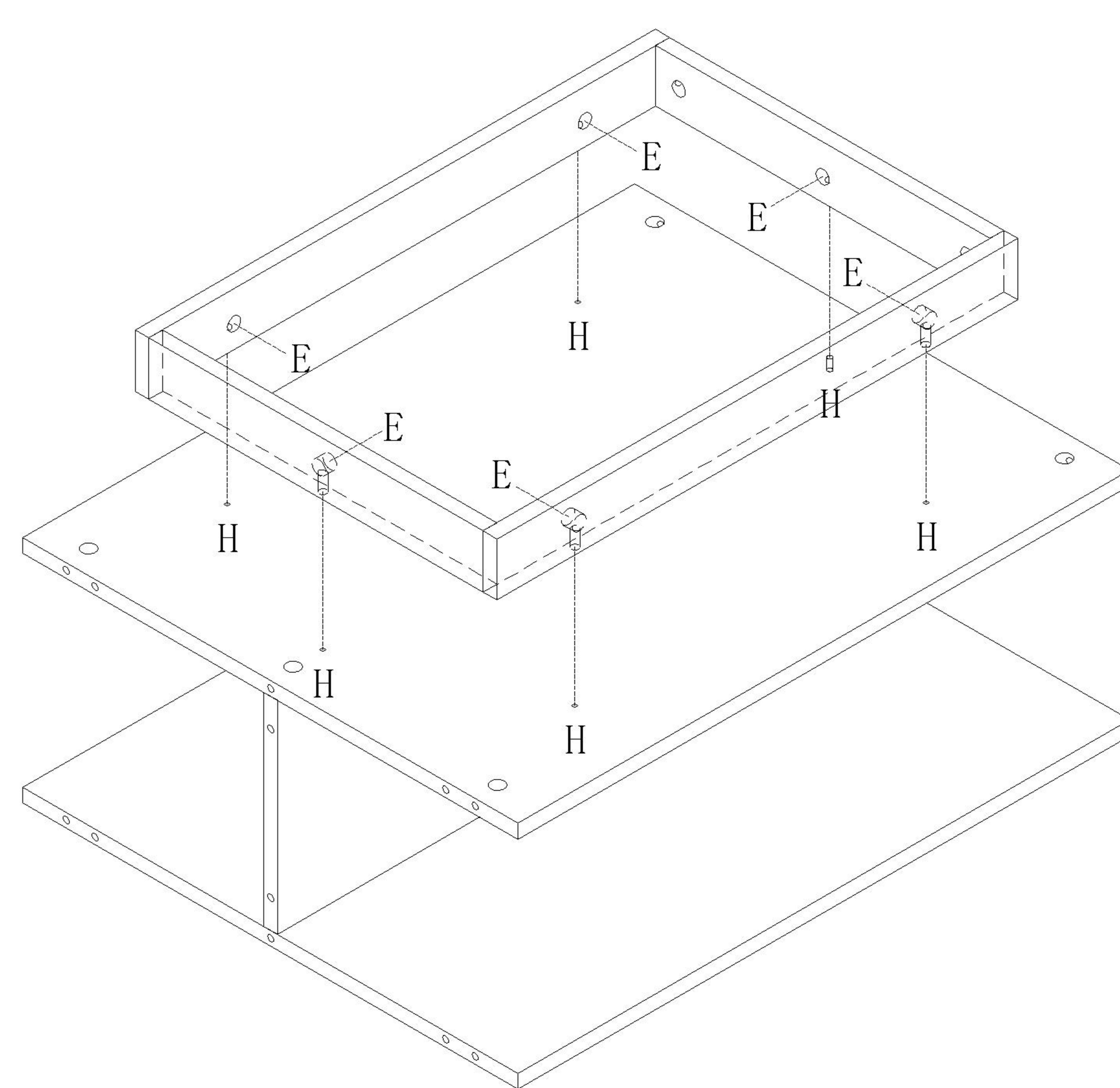


角码
Bracket

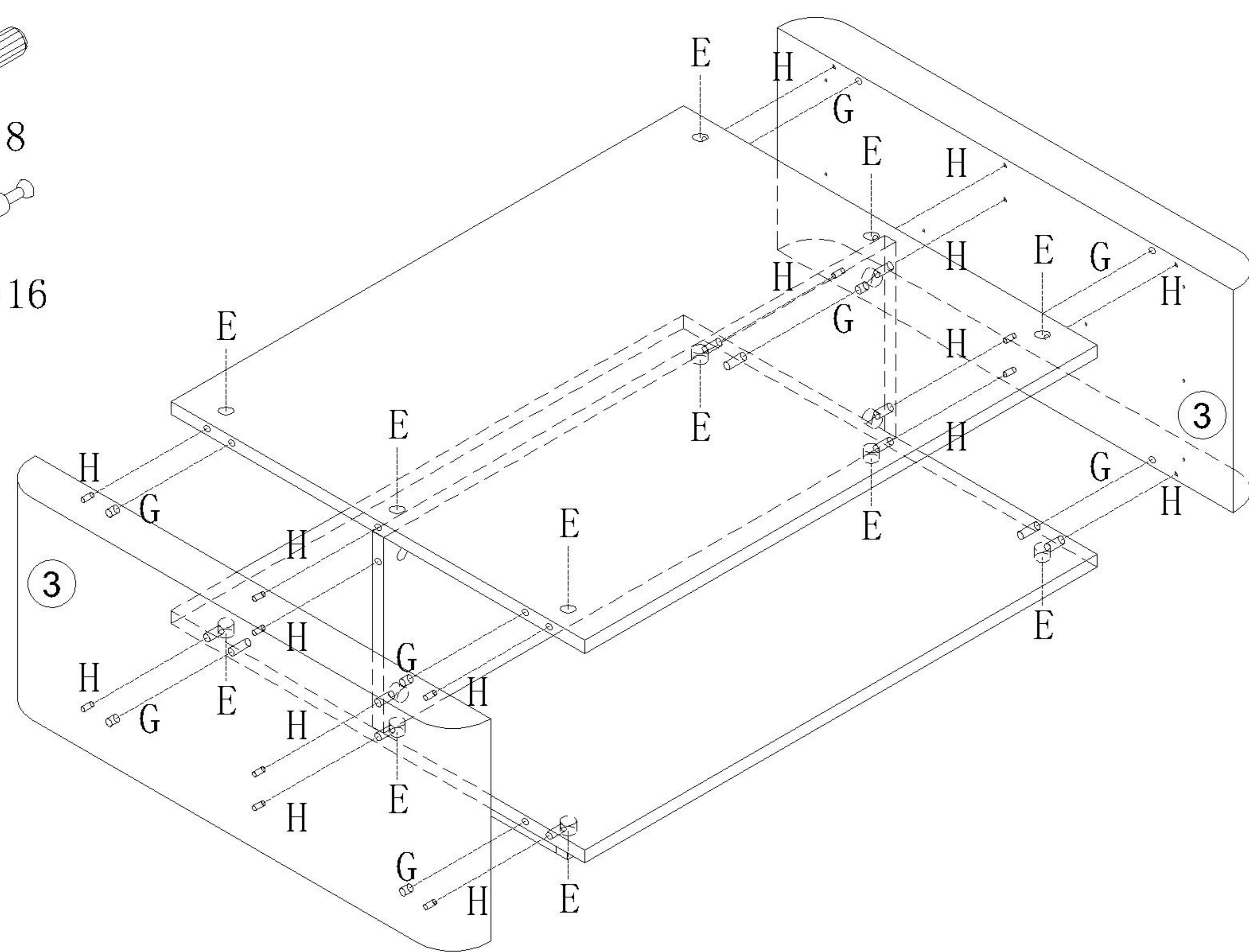
- (E)*2
- (H)*2



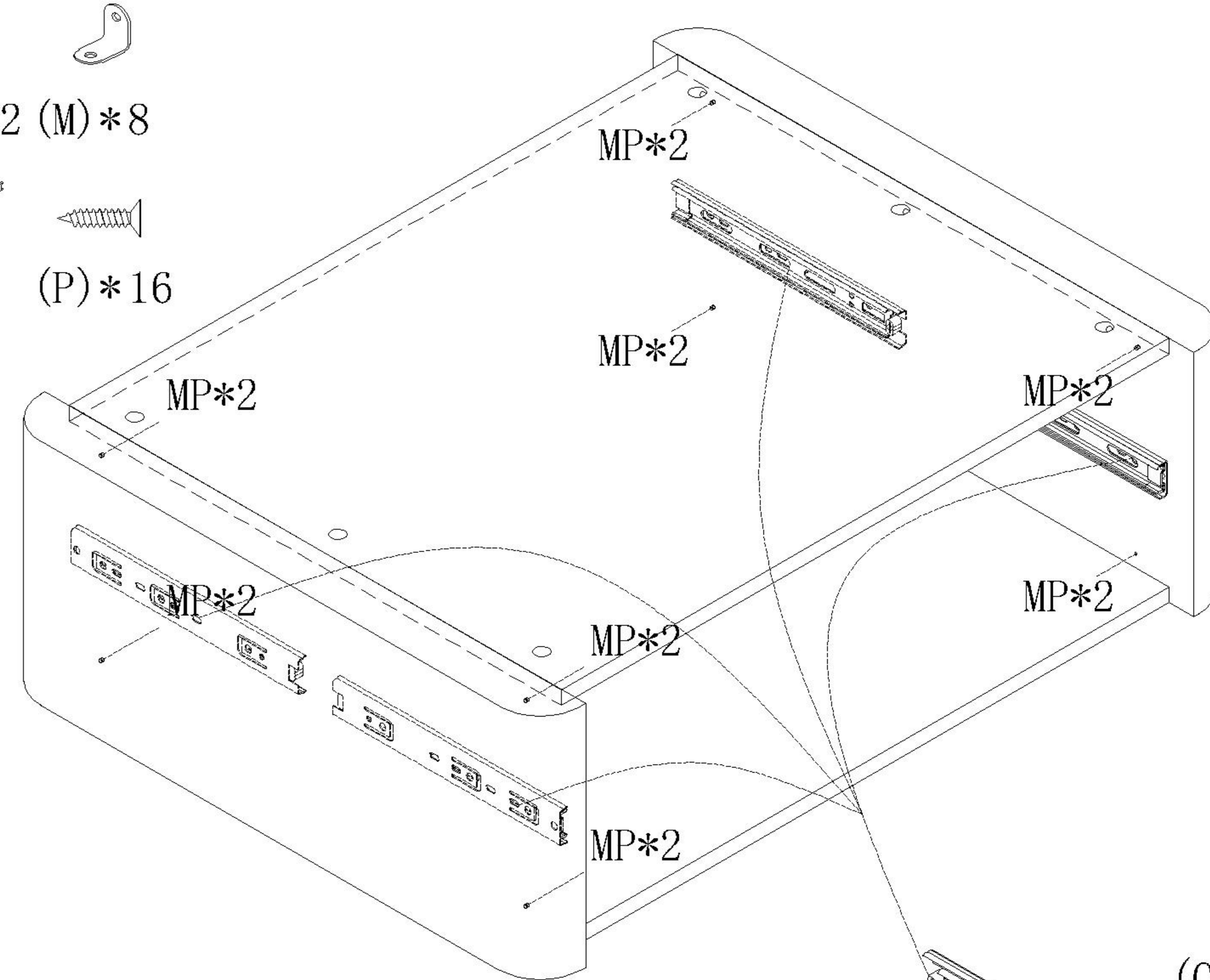
- (E)*6
- (H)*6



- (E)*16
- (G)*8
- (H)*16



- (B)*12 (M)*8
- (O)*2 (P)*16



(O) 主轨
Main rail

B

LY3L-A

9

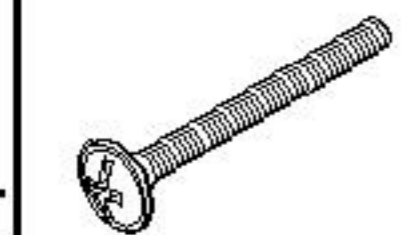
10

安装方法/
Installation method

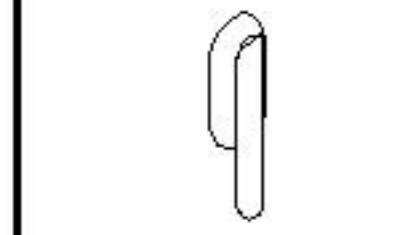
阀门开关(下压为开)
Valve switch
(press down to open)

1

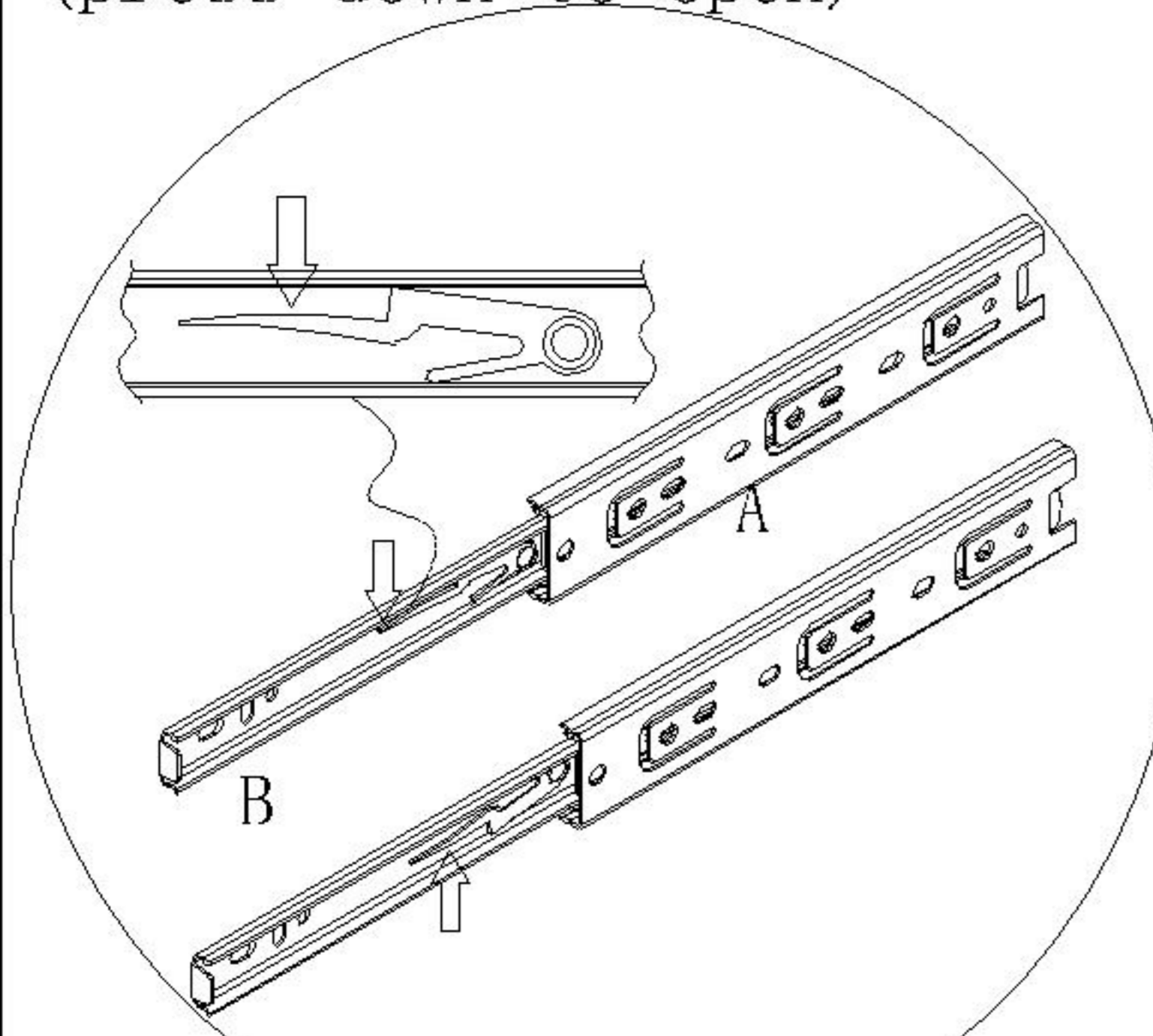
(F)*6



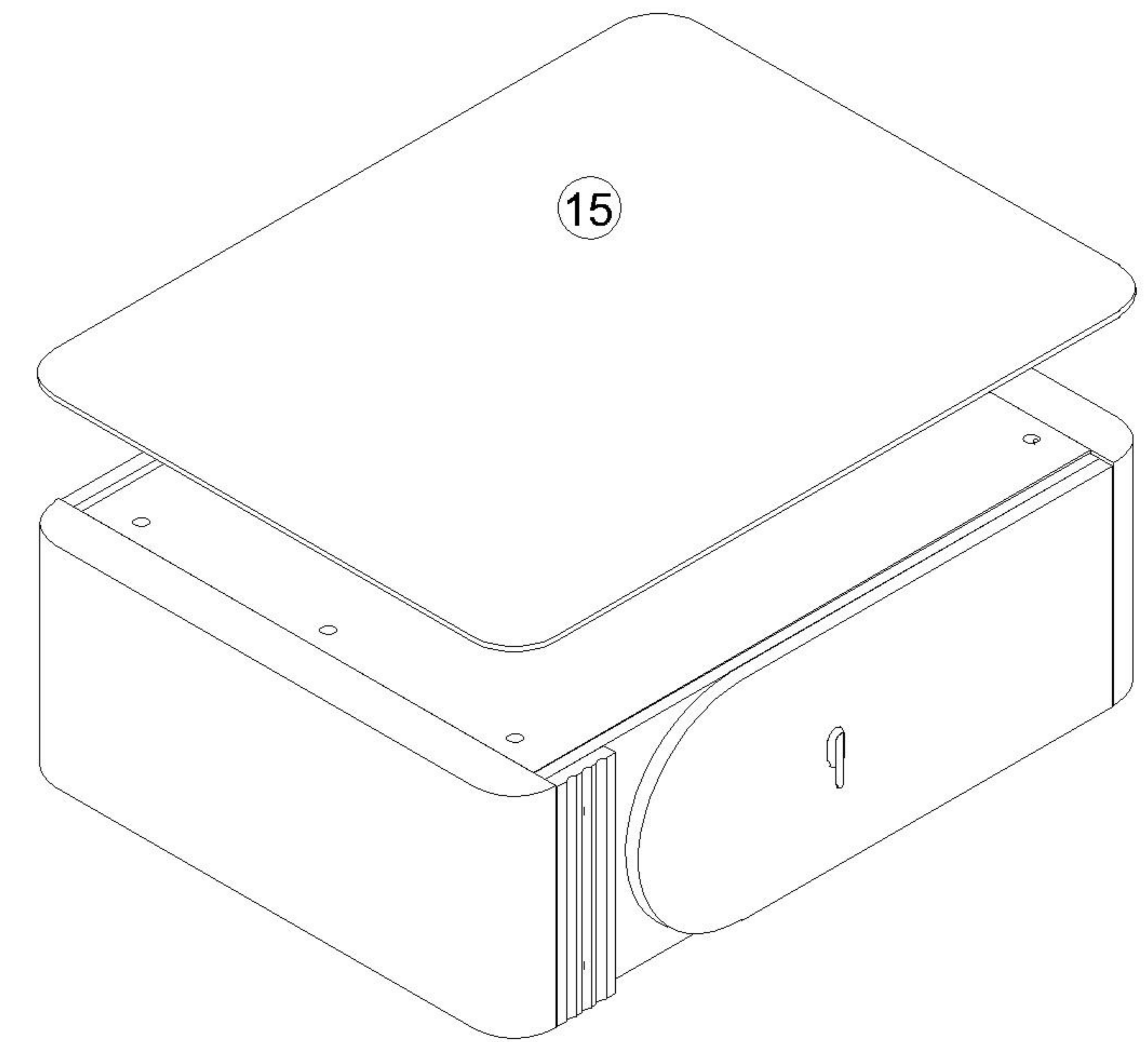
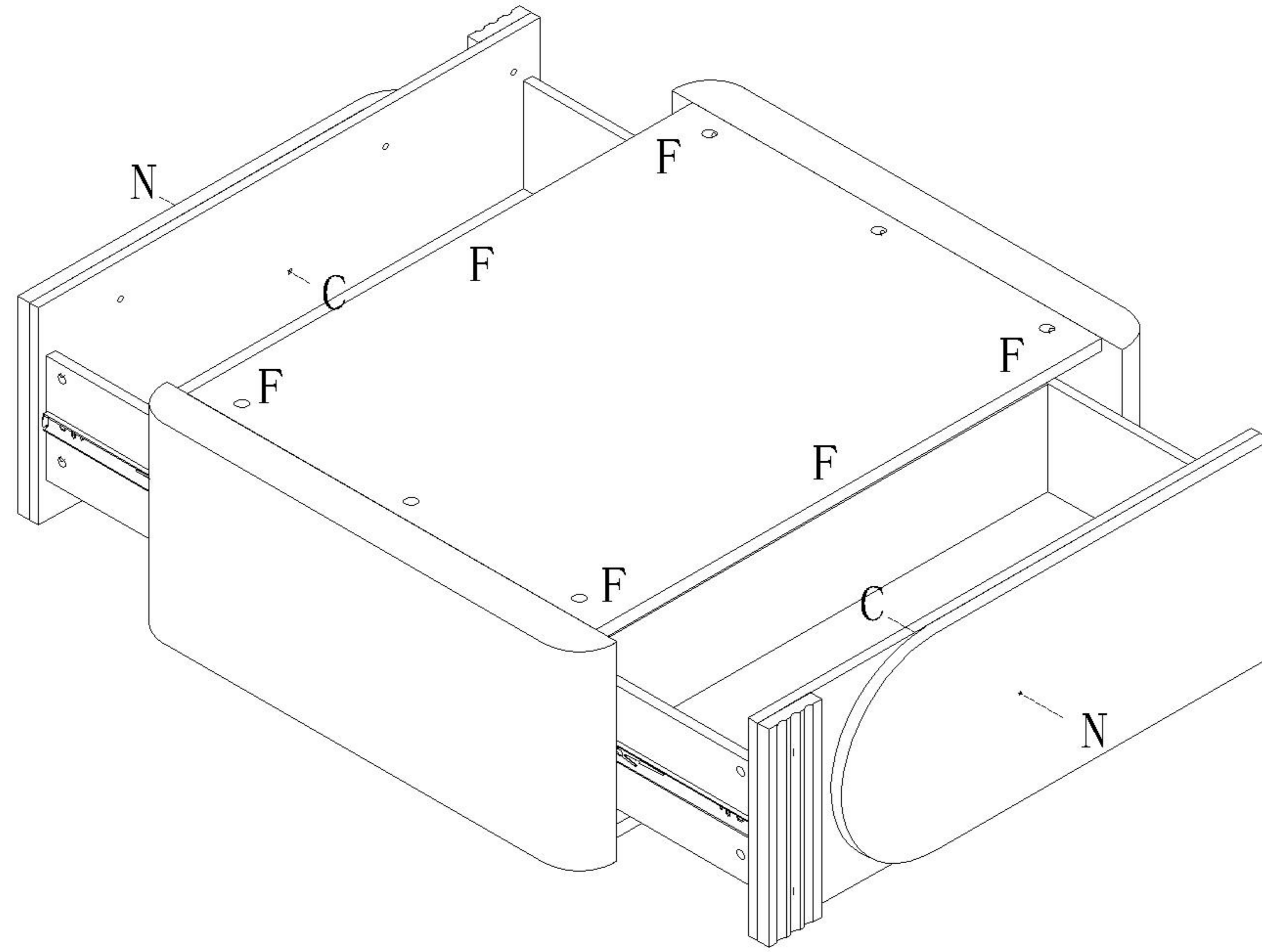
(C)*2



(N)*2



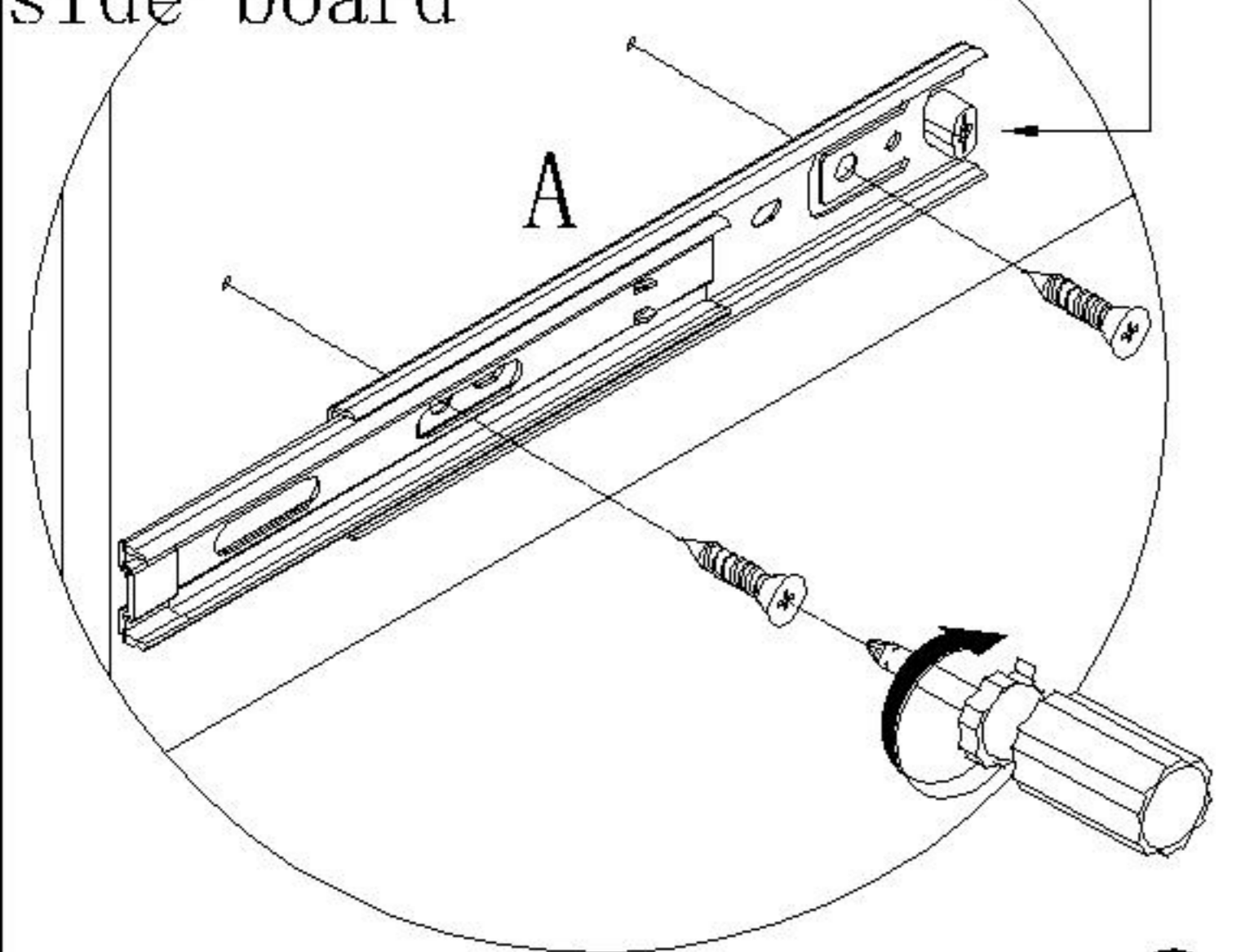
注: 先将A与B拆下来
Note: remove a and B first



侧板
side board

2

后after



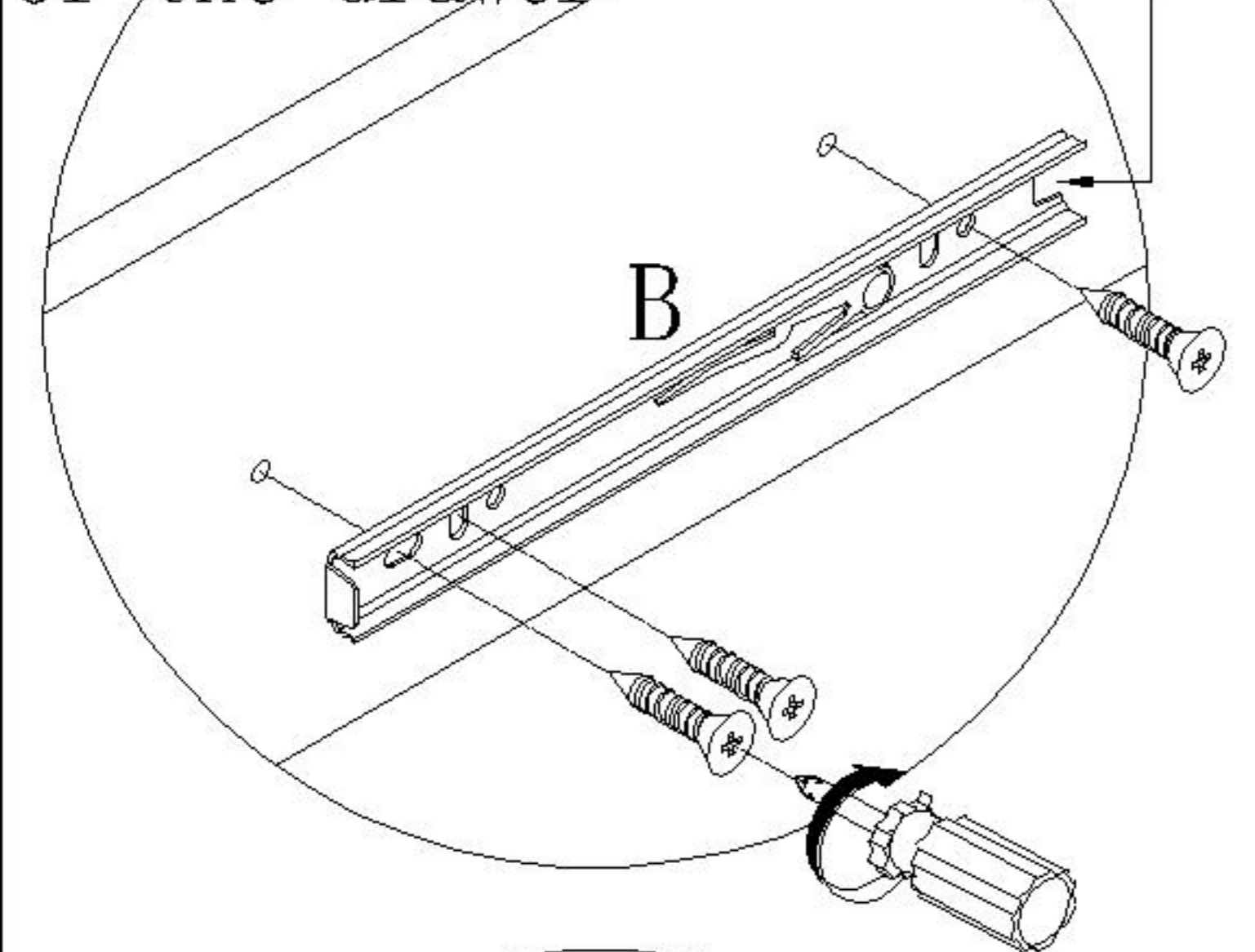
11

12

抽屉侧板
sideboard
of the drawer

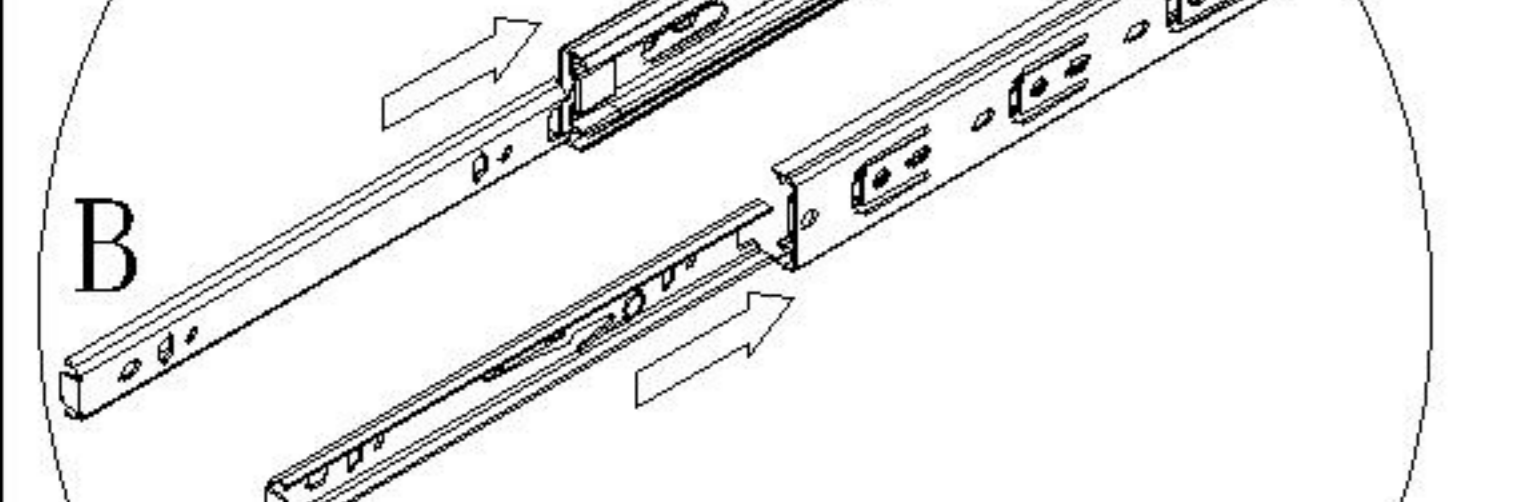
3

后after



5

4



注: 将B对准A后推进去
Note: align B with a
and push it in

三节滚珠导轨
three-section ball rail