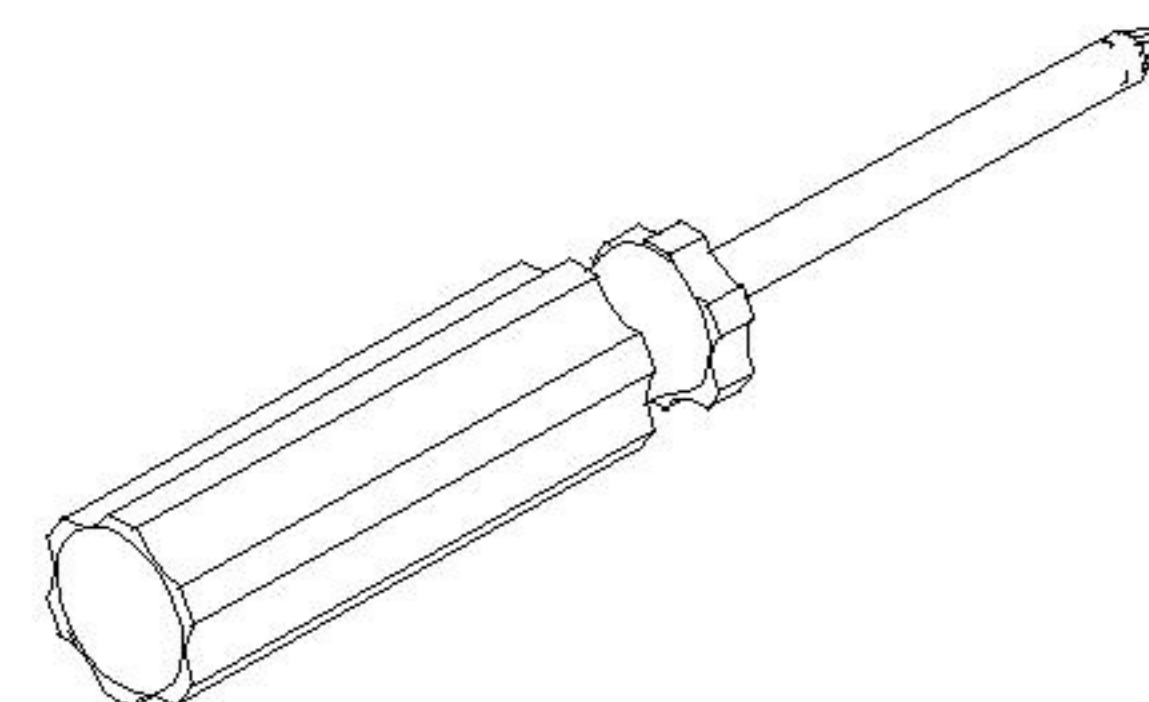
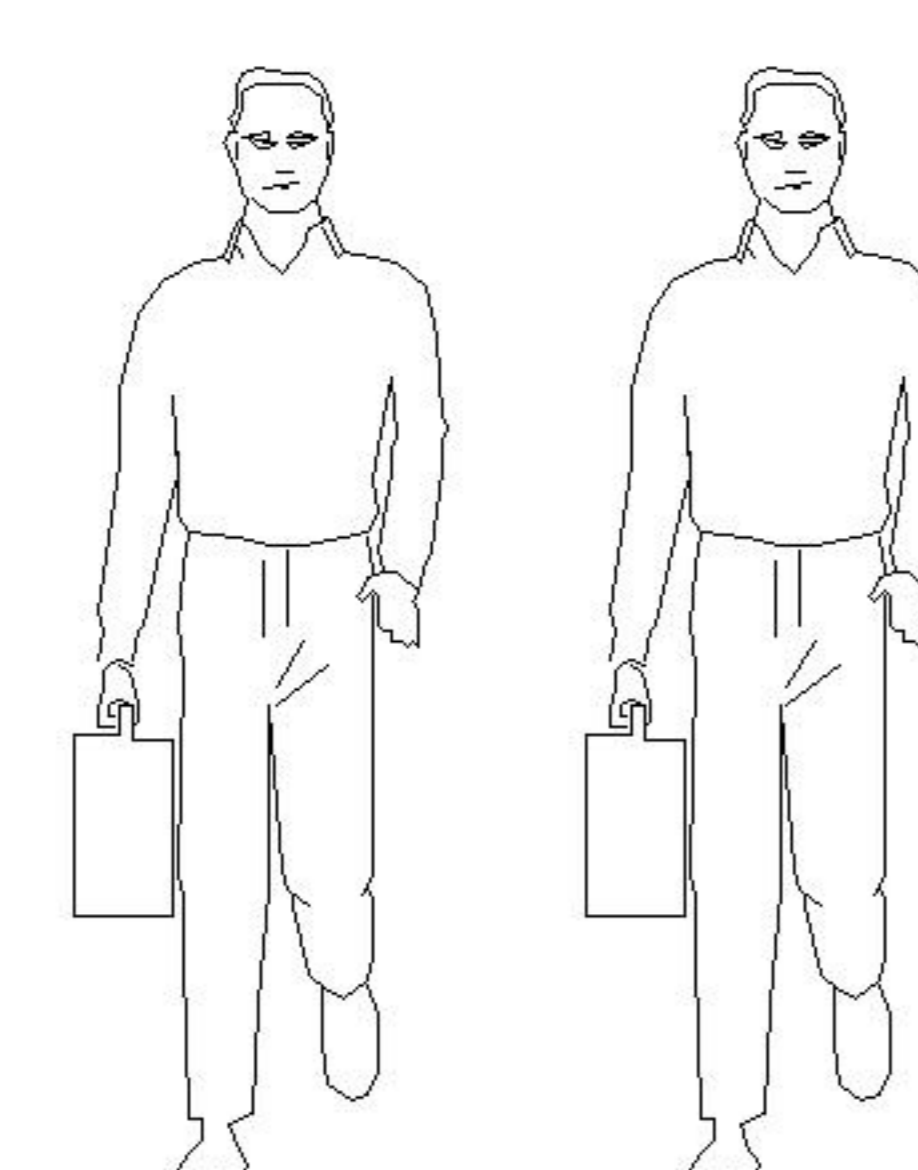


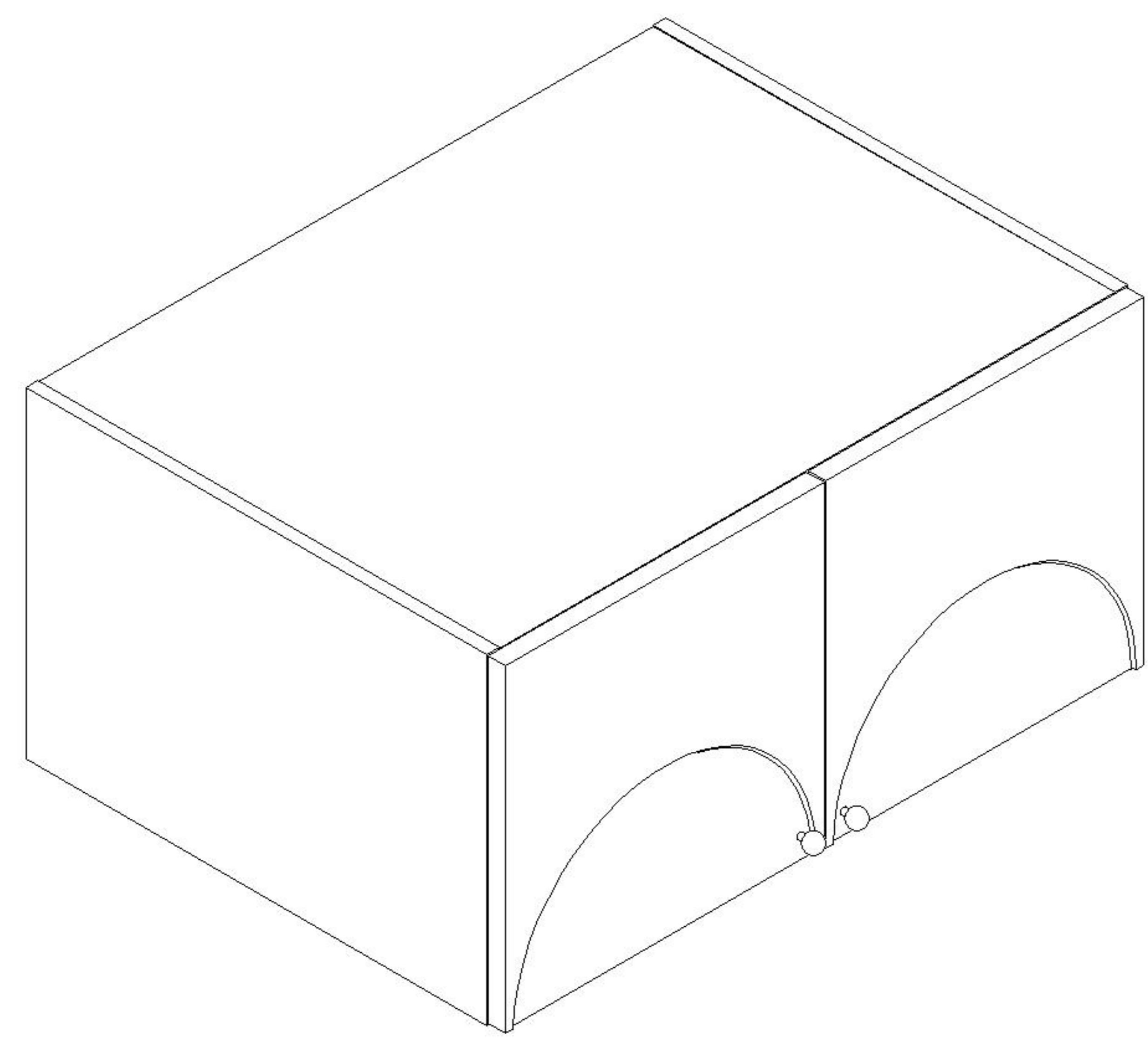
LINSY 林氏家居

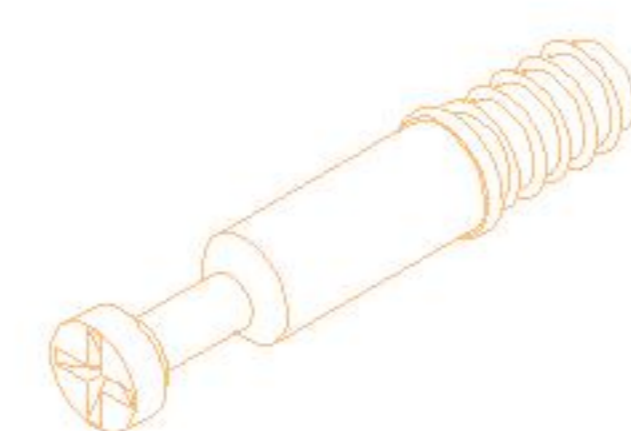
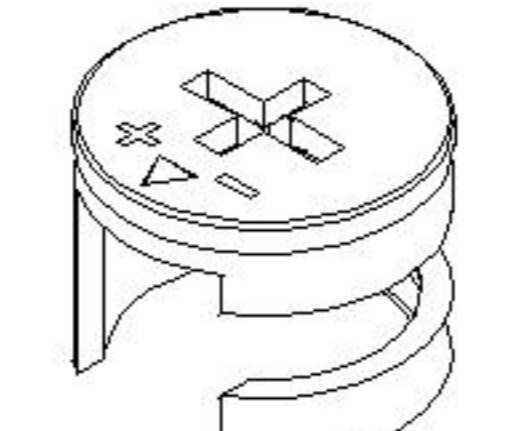
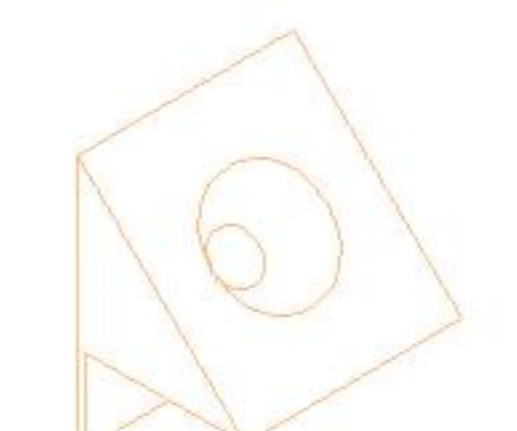
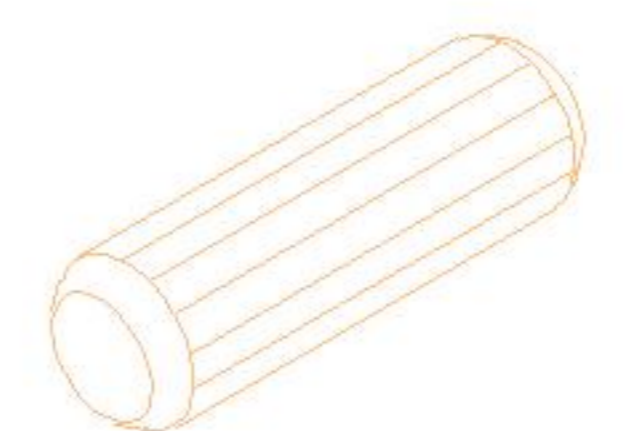
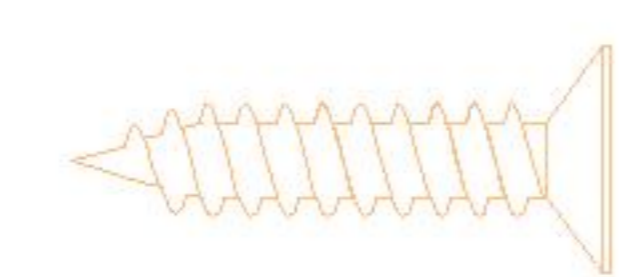
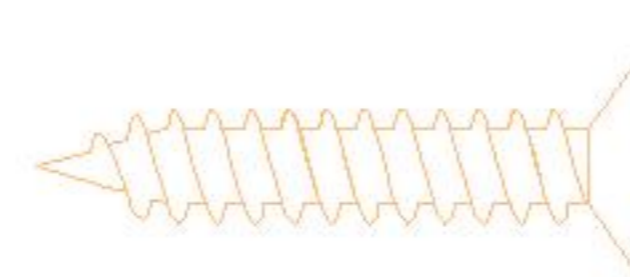
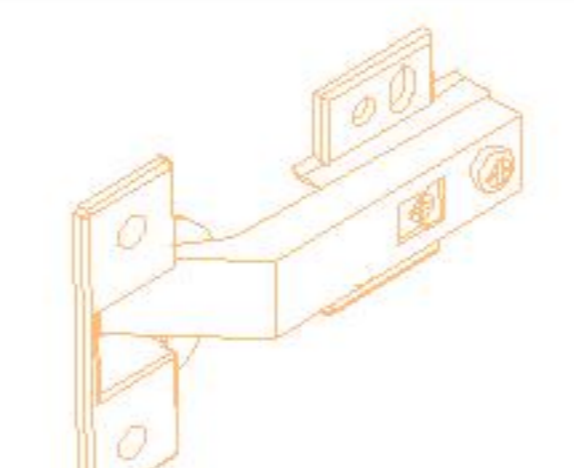
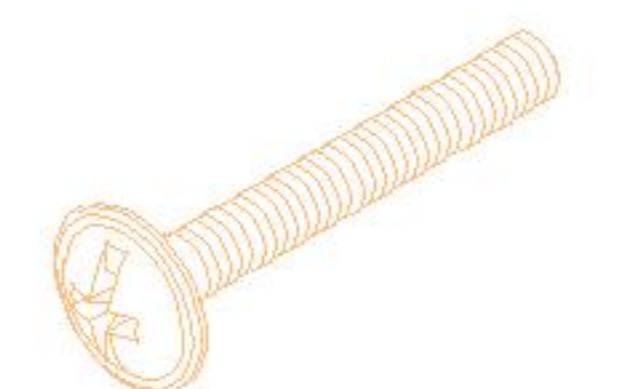

五金表/Hardware list

部件表/Parts List

安装示意图/Assembly Instruction

产品名称 Model NO.	TE12D-A
产品规格 Specification	796*620.5*400mm
安装工具 Tool	安装人数 Installer
	

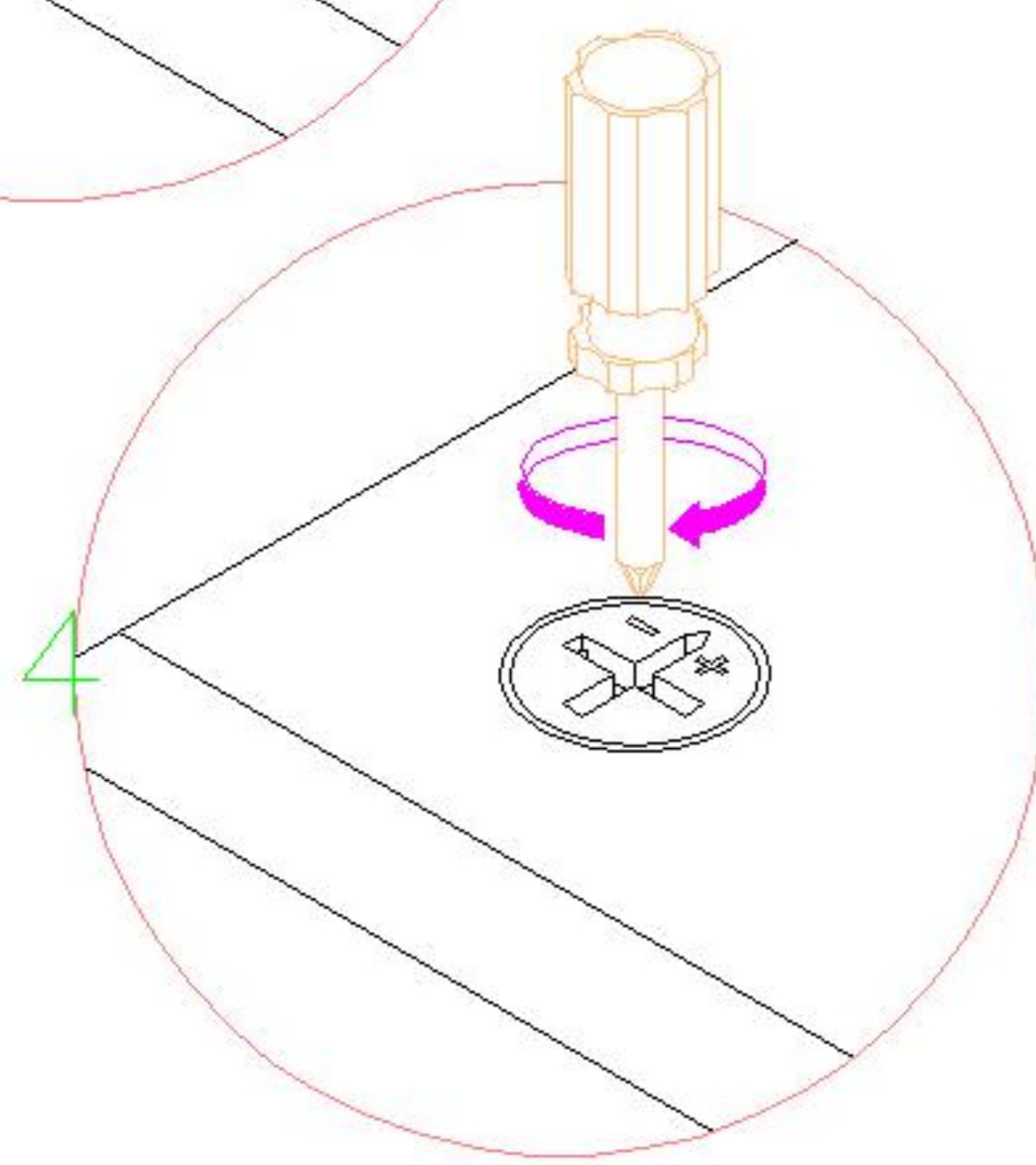
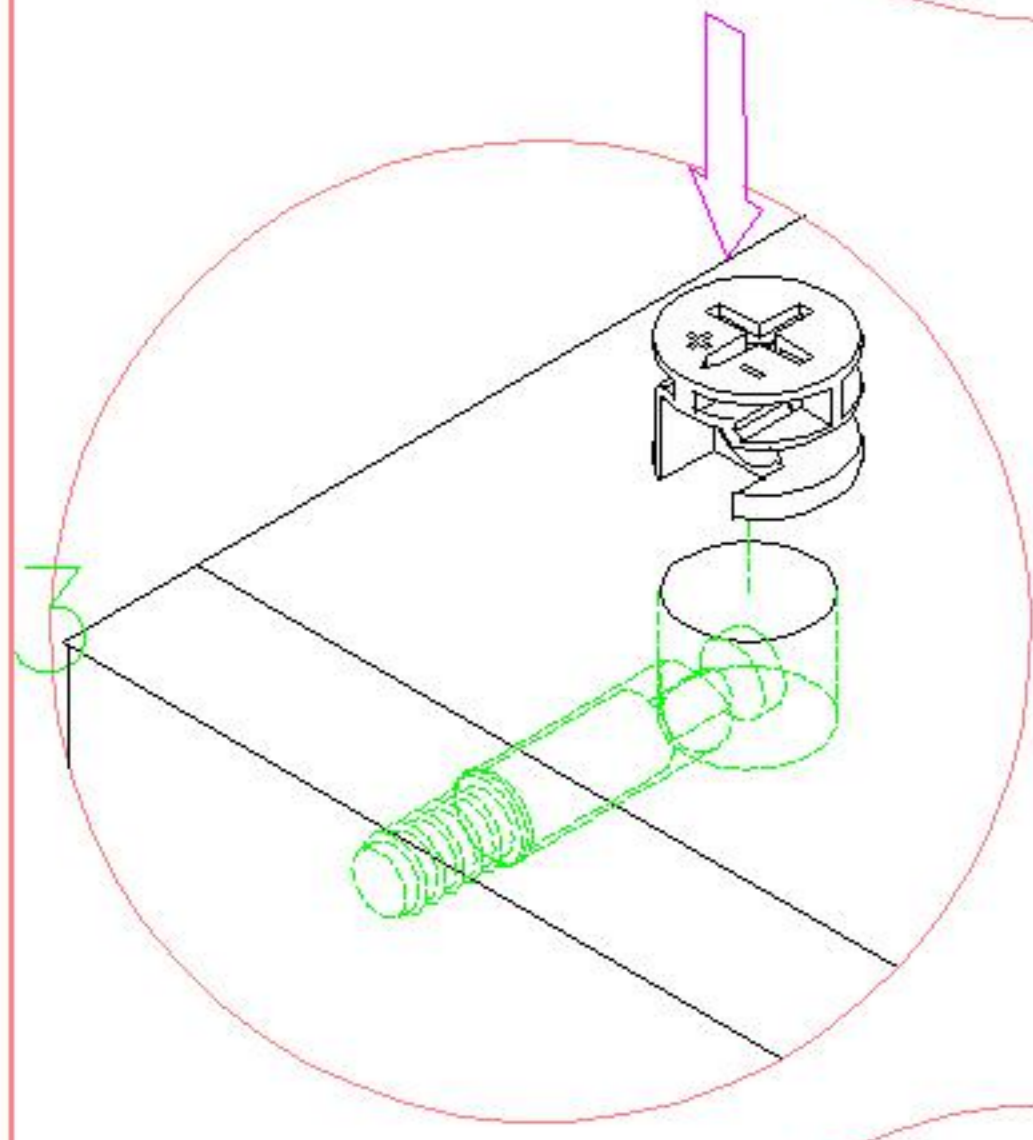
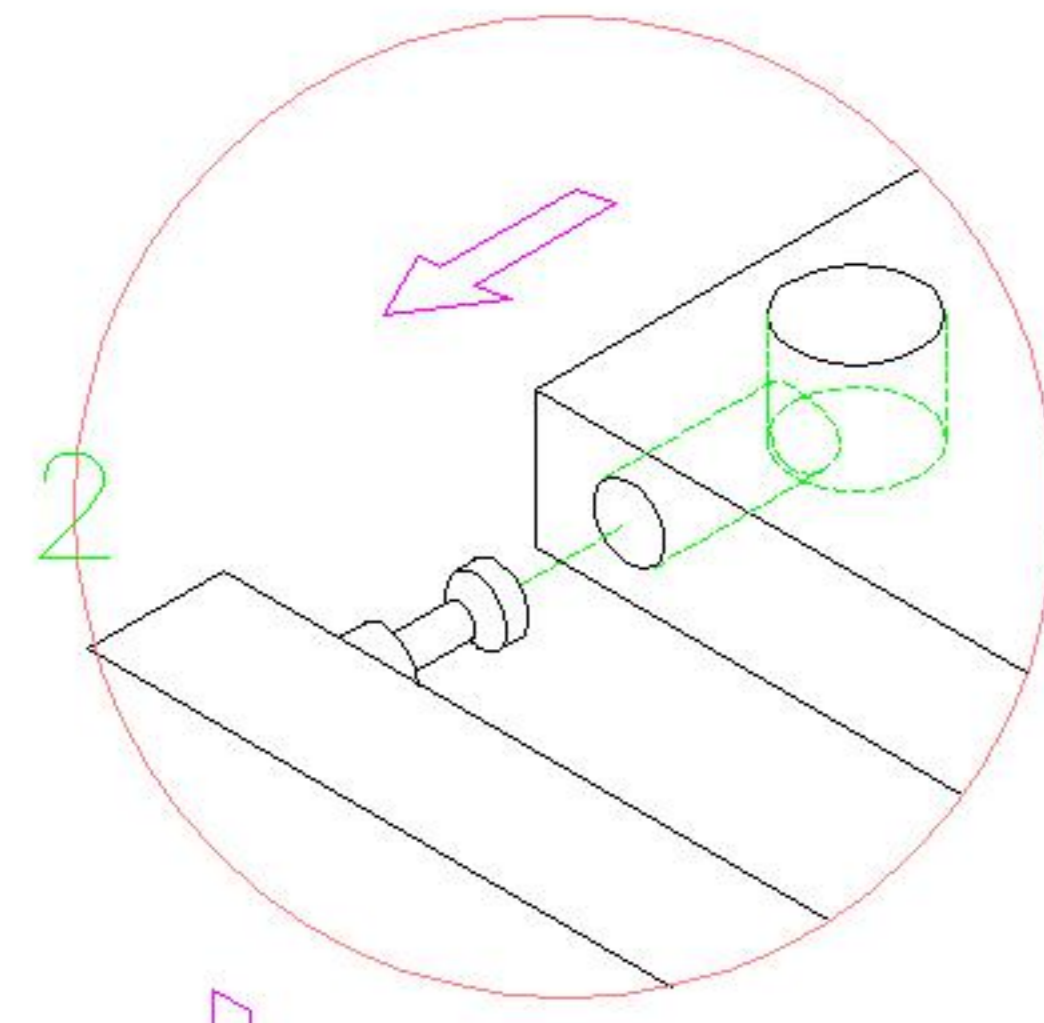
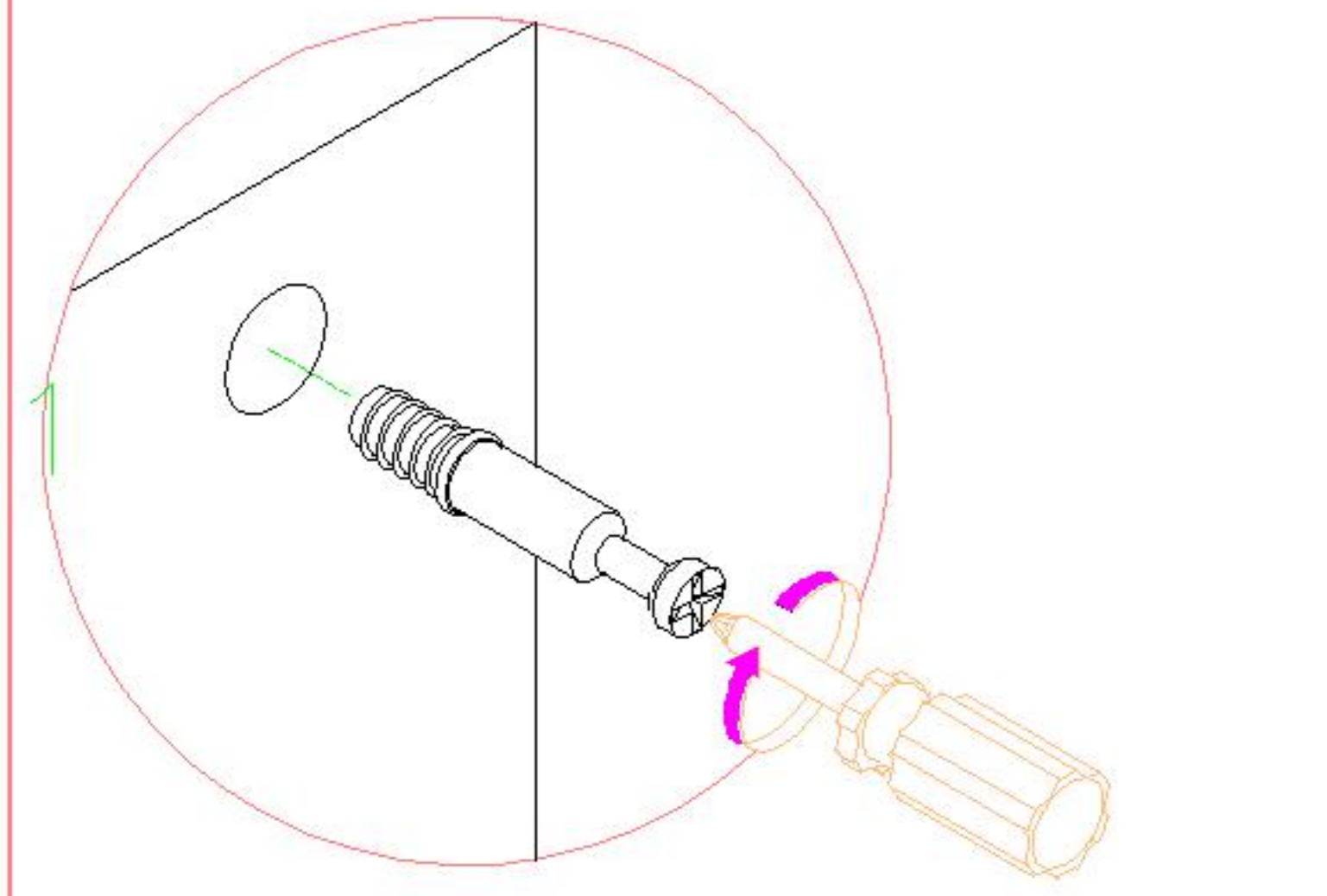


 (A)* 8 二合一螺杆 2-in-1-screw	 (B)* 8 大三合一锁饼 Three-in-one large lock	 (C)* 4 背板扣 Back Plate Buckle-White	 (D)* 8 木榫Ø8x30mm wood tenon
 (E)* 4 自攻螺丝M3.5x16mm Self-tapping screw	 (F)* 4 自攻螺丝M4x25mm Self-tapping screw	 (G)* 4 缓冲门铰直弯-杯径Ø35 Hinge-straight bending-diameter 35	 (H)* 2 拉手螺丝-M1x22mm pulling screw
 (I)* 2 拉手 Handle			

编号NO.	名称Name	规格 (mm) Specification	数量QTY	材质Material
①	面底板Bottom board	766*574*15	2	人造板 WBP
②	侧板Side board	400*574*15	2	人造板 WBP
③	背板Back board	776*378*5	1	人造板 WBP
④	左门板Door board(L)	396*396*22	1	吸塑板 Blister board
⑤	右门板Door board(R)	396*396*22	1	吸塑板 Blister board

TE12D-A

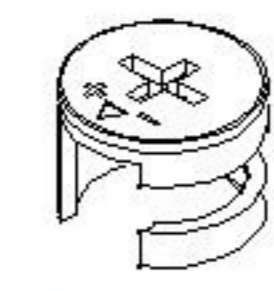
安装方法/
Installation method



大二合一
two-in-one



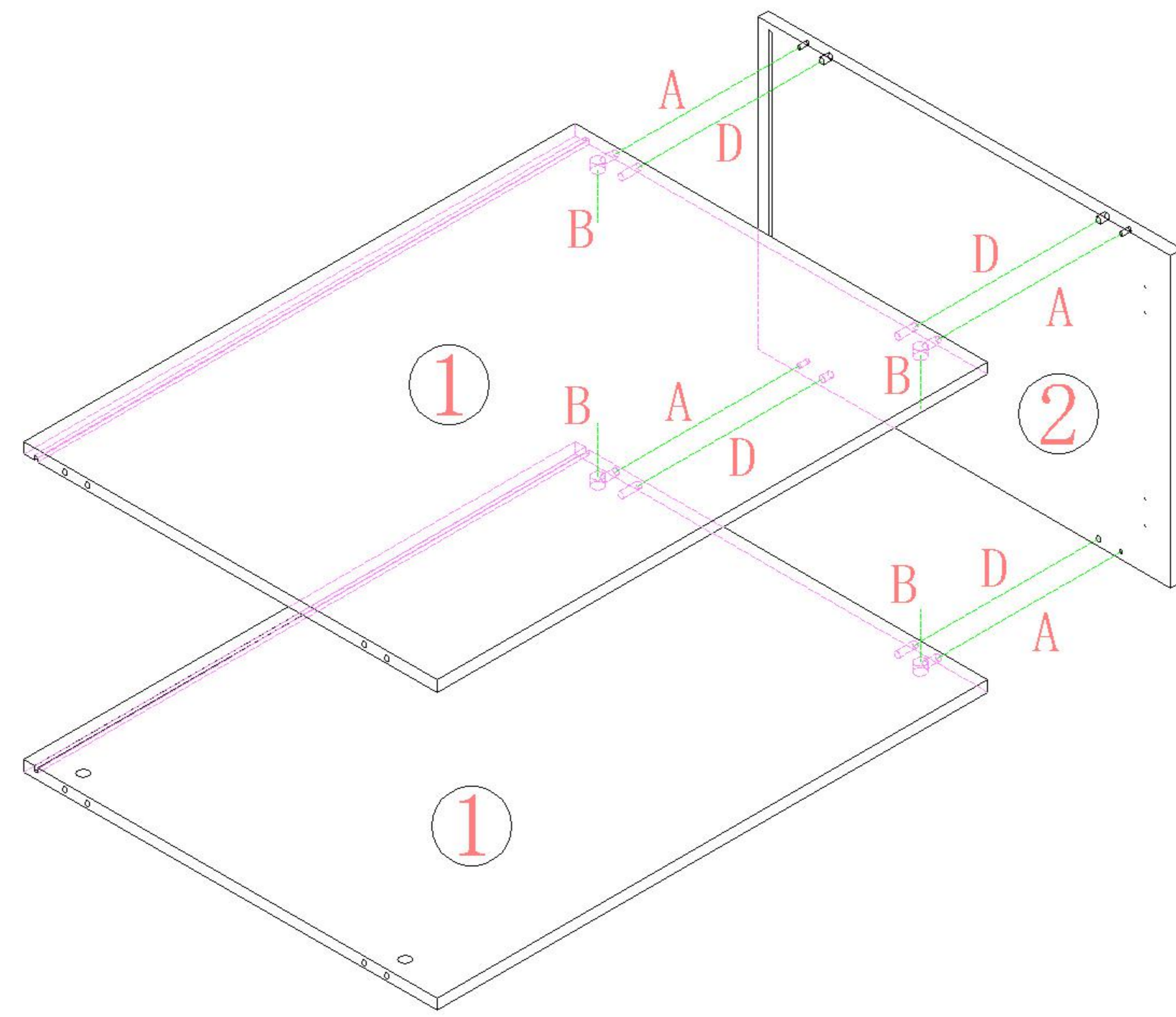
(A)*4



(B)*4



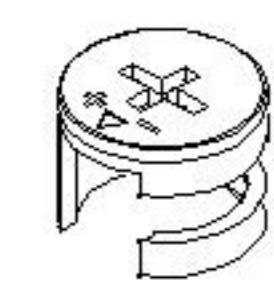
(D)*4



1



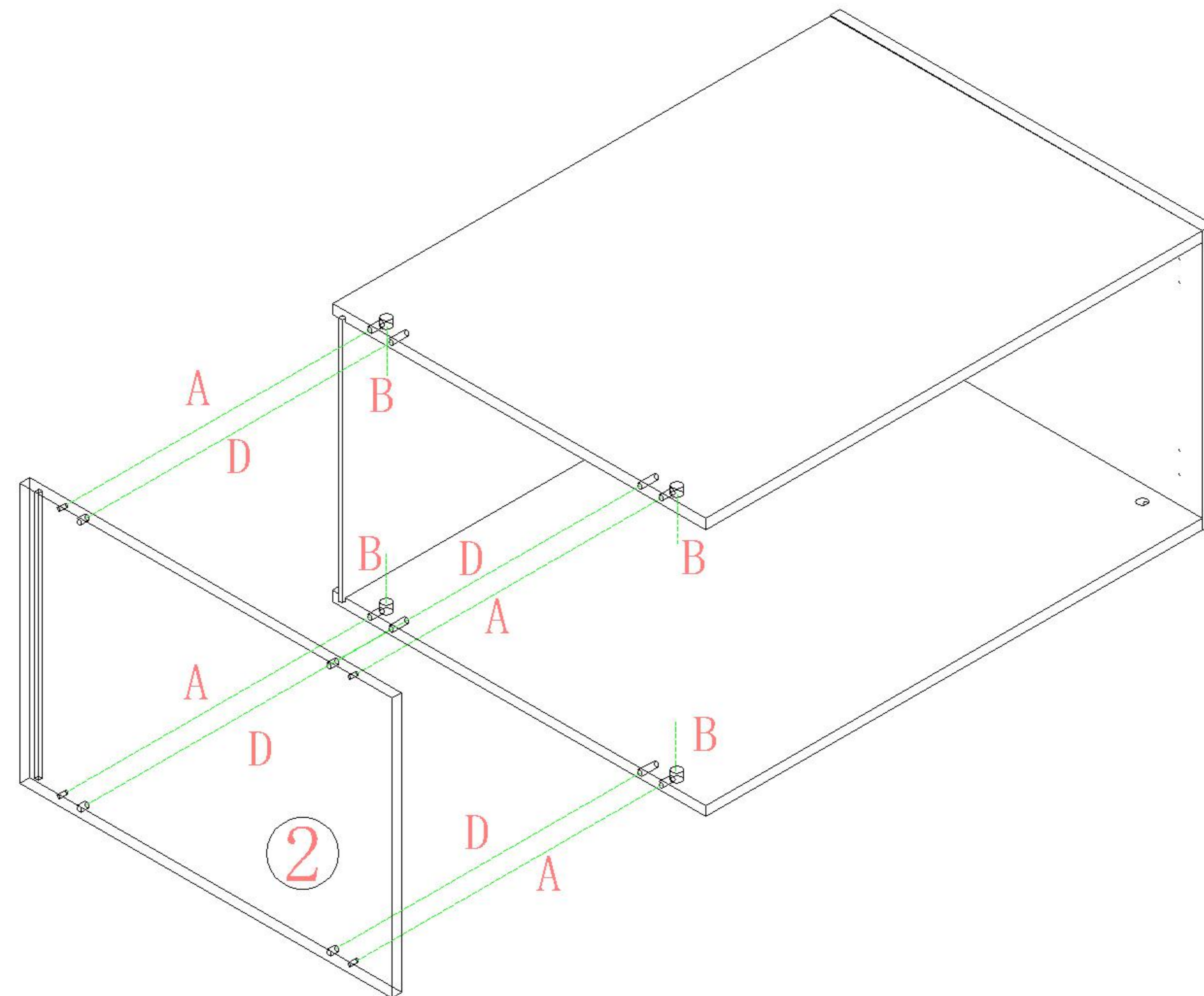
(A)*4



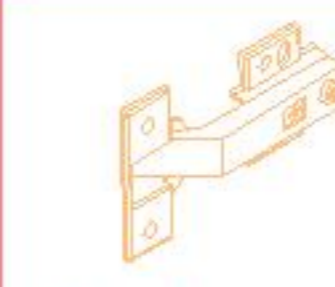
(B)*4



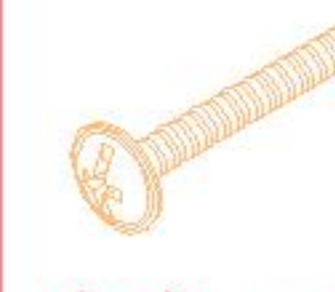
(D)*4



3



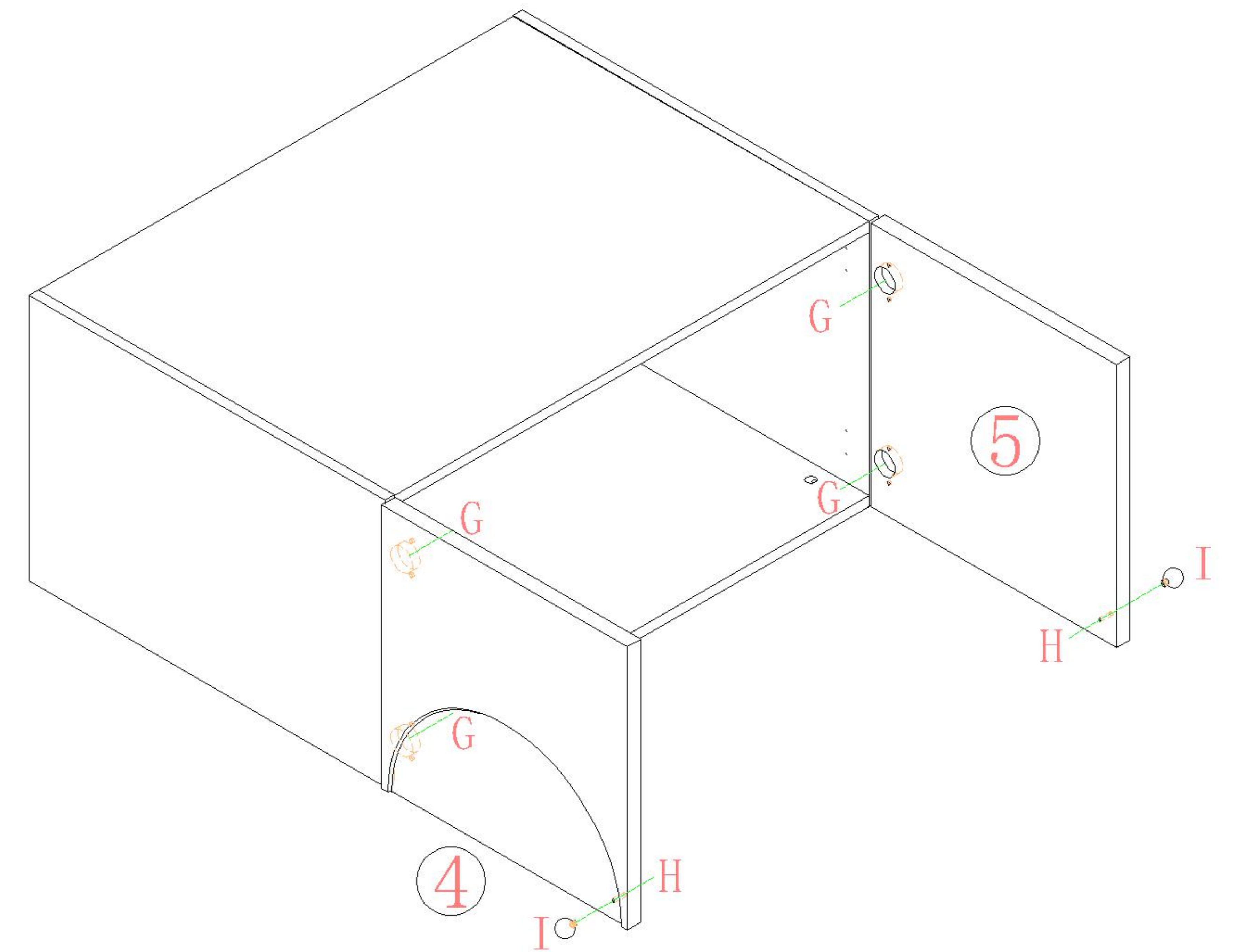
(G)*4



(H)*2



(I)*2



2

4

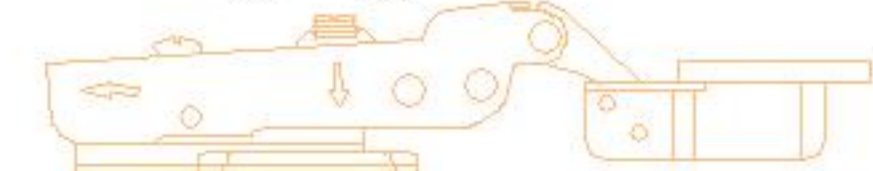
TE12D-A

安装方法/ Installation method

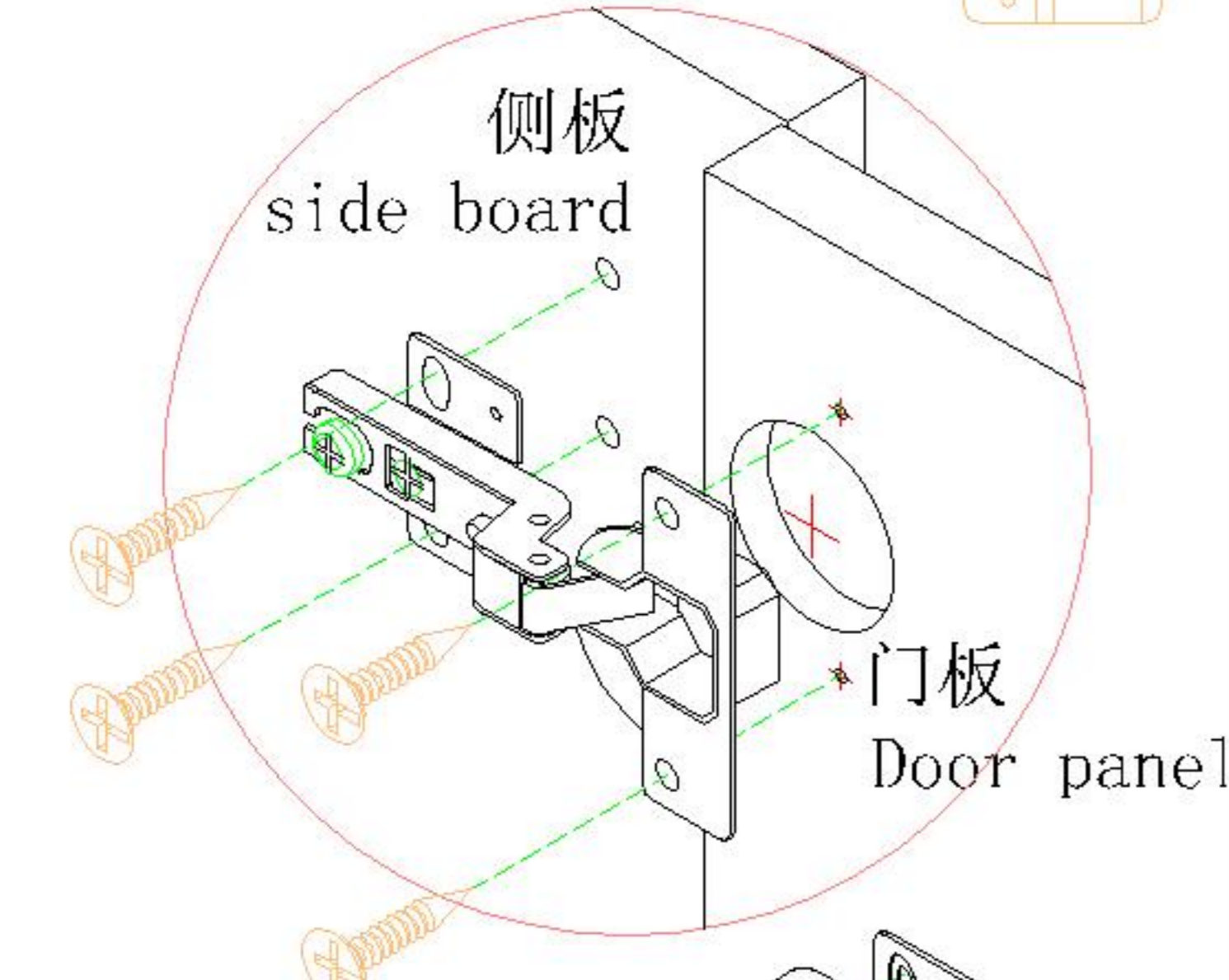
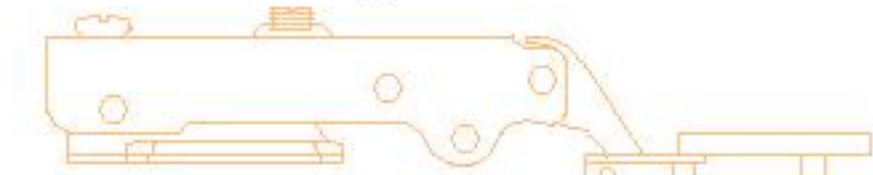
大弯big bend



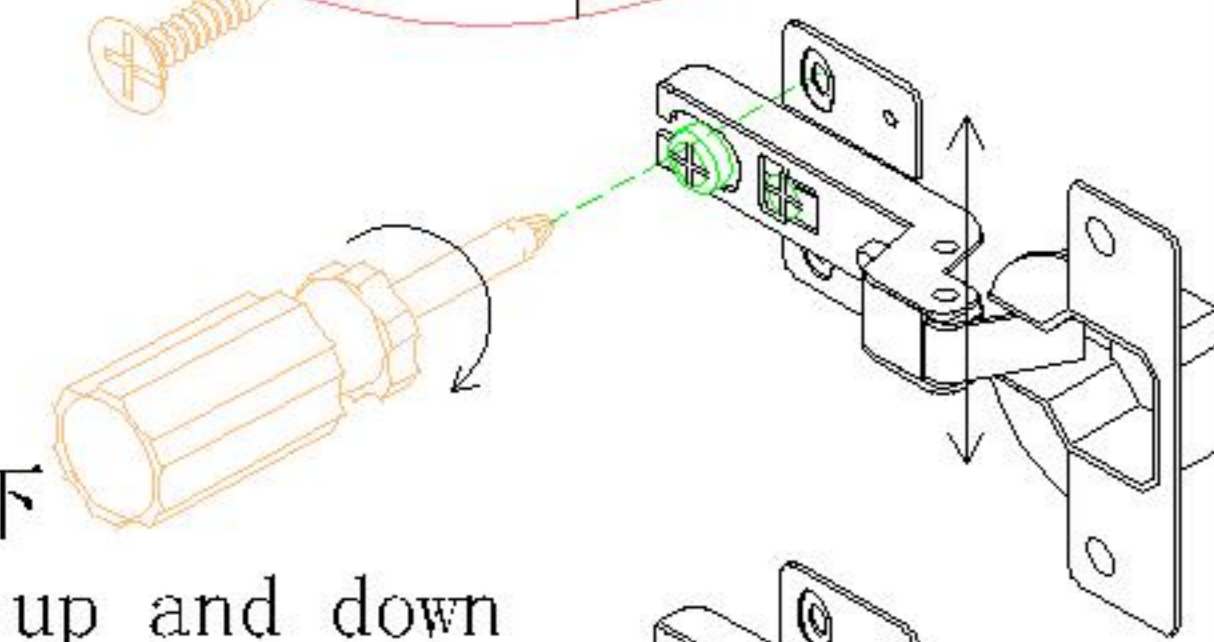
中弯middle bending



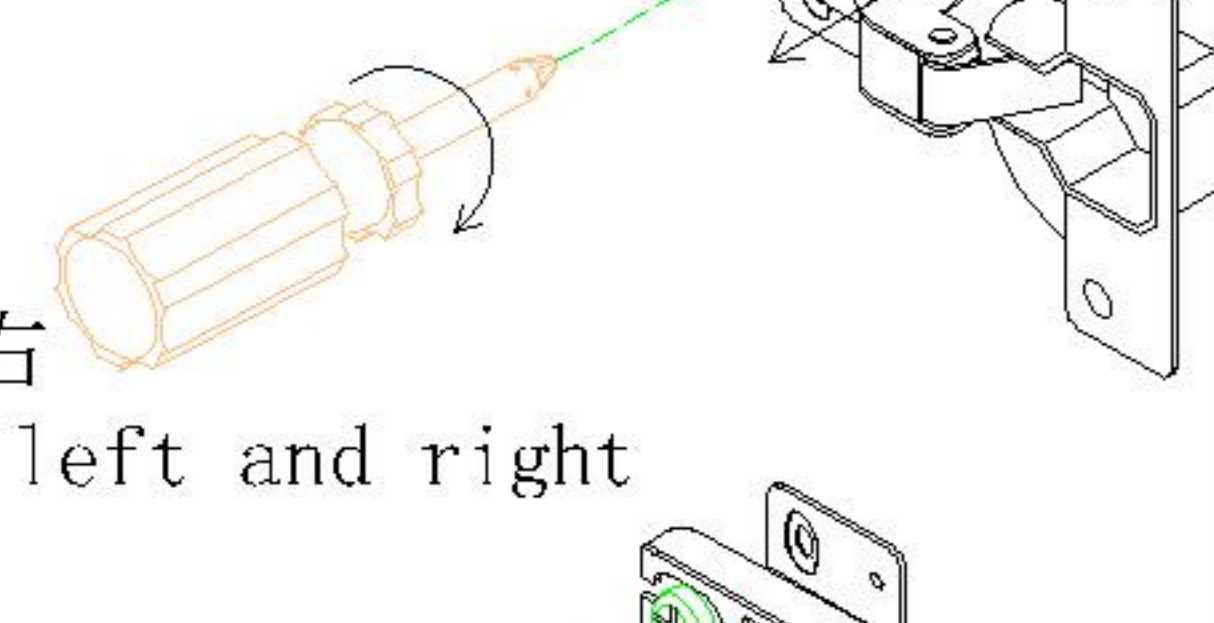
直弯straight bending



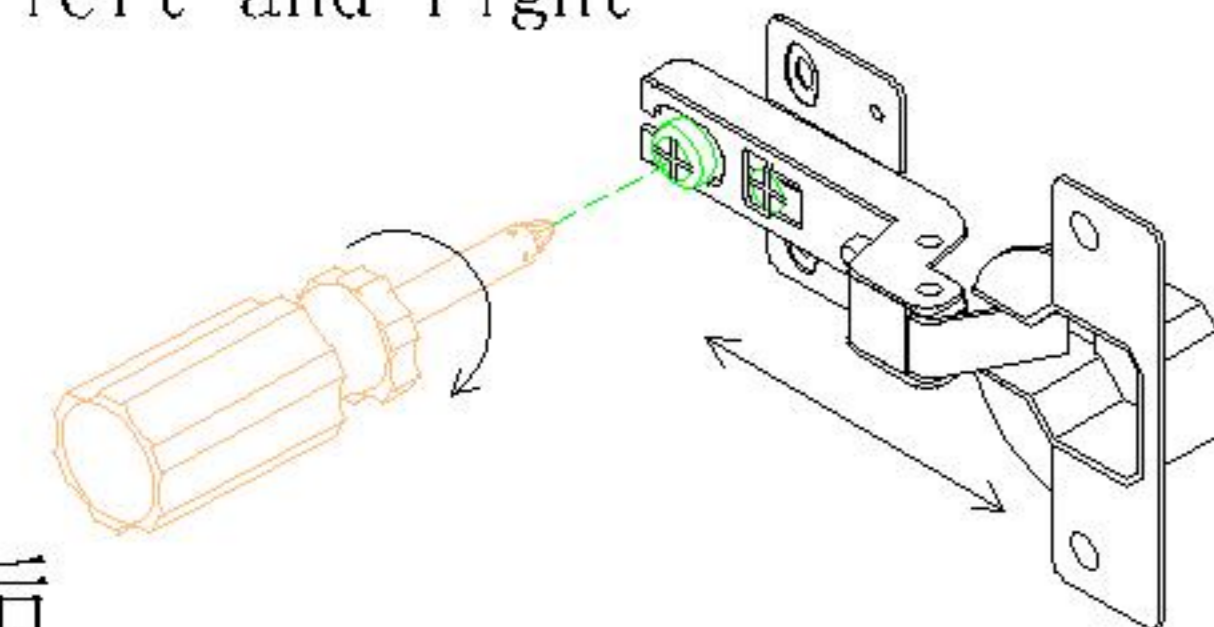
调节上下
Adjust up and down



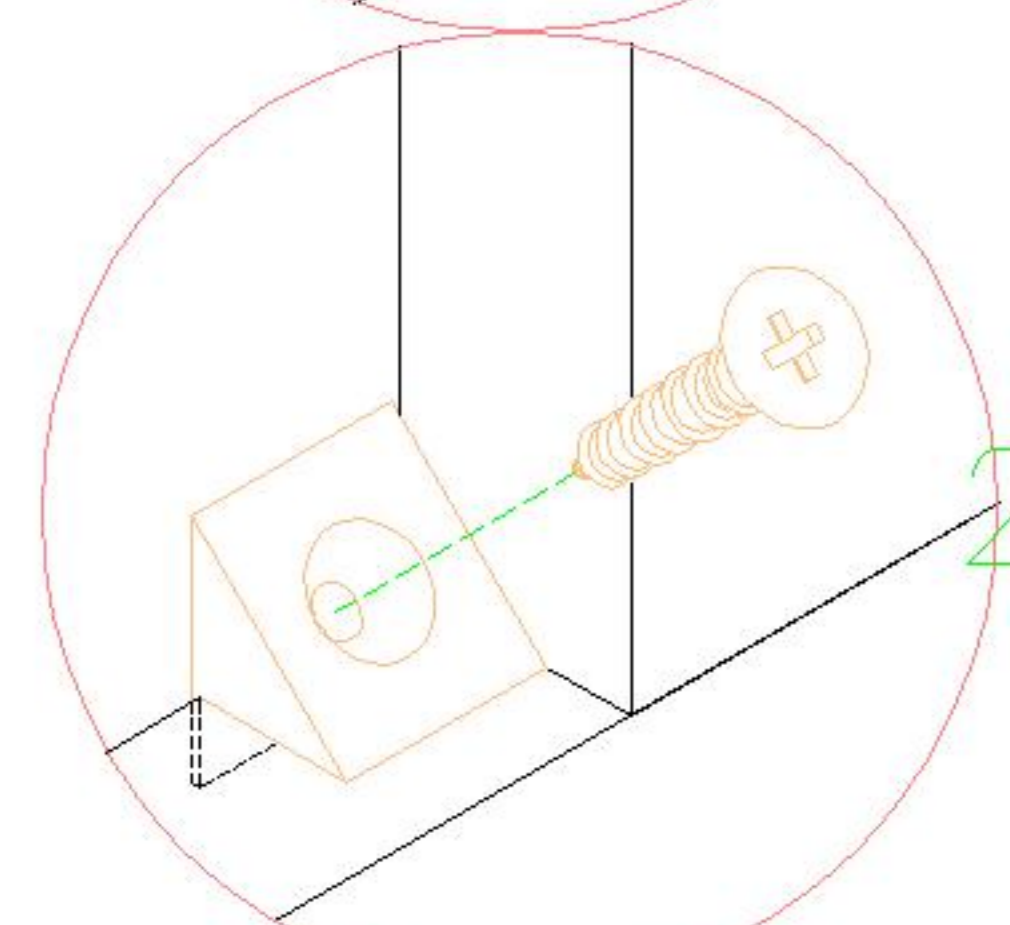
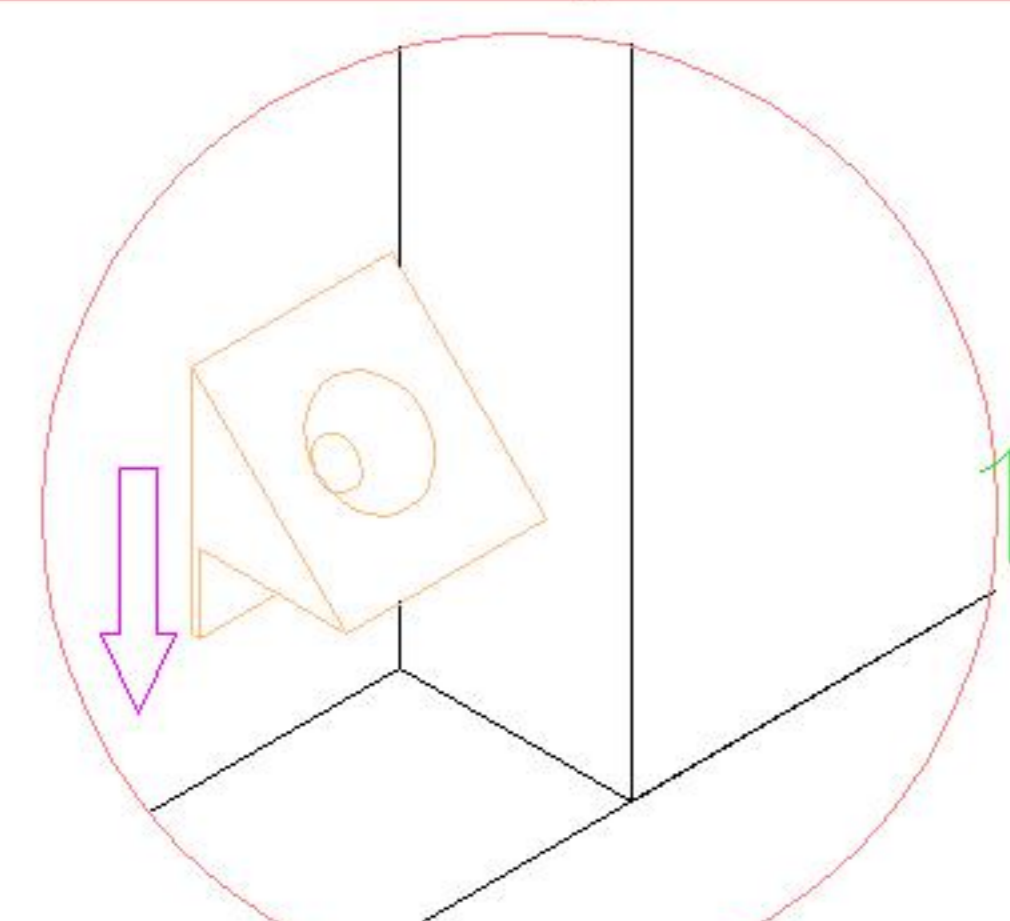
调节左右
Adjust left and right



调节前后
Before and after adjustment

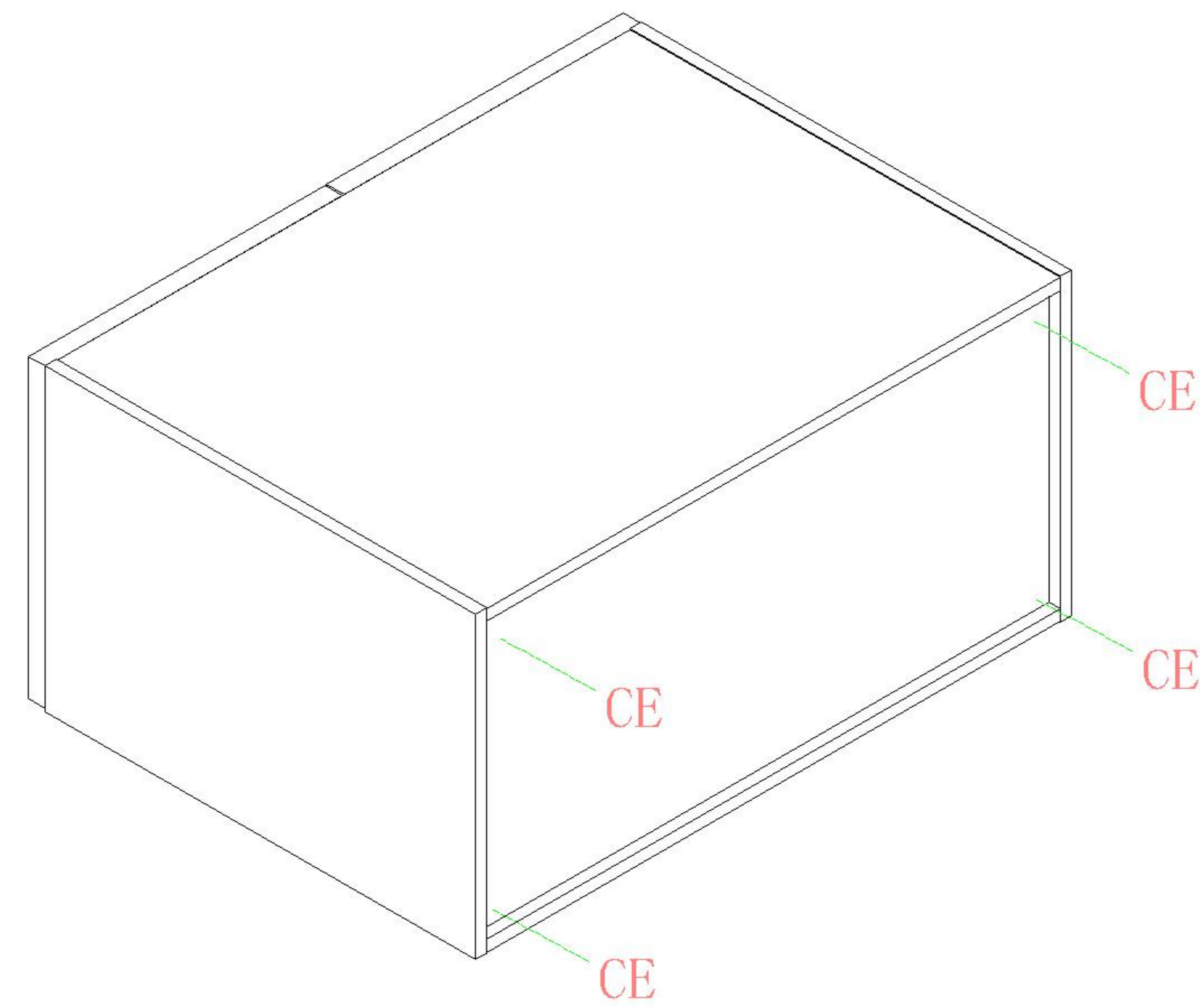


门铰 Hinge

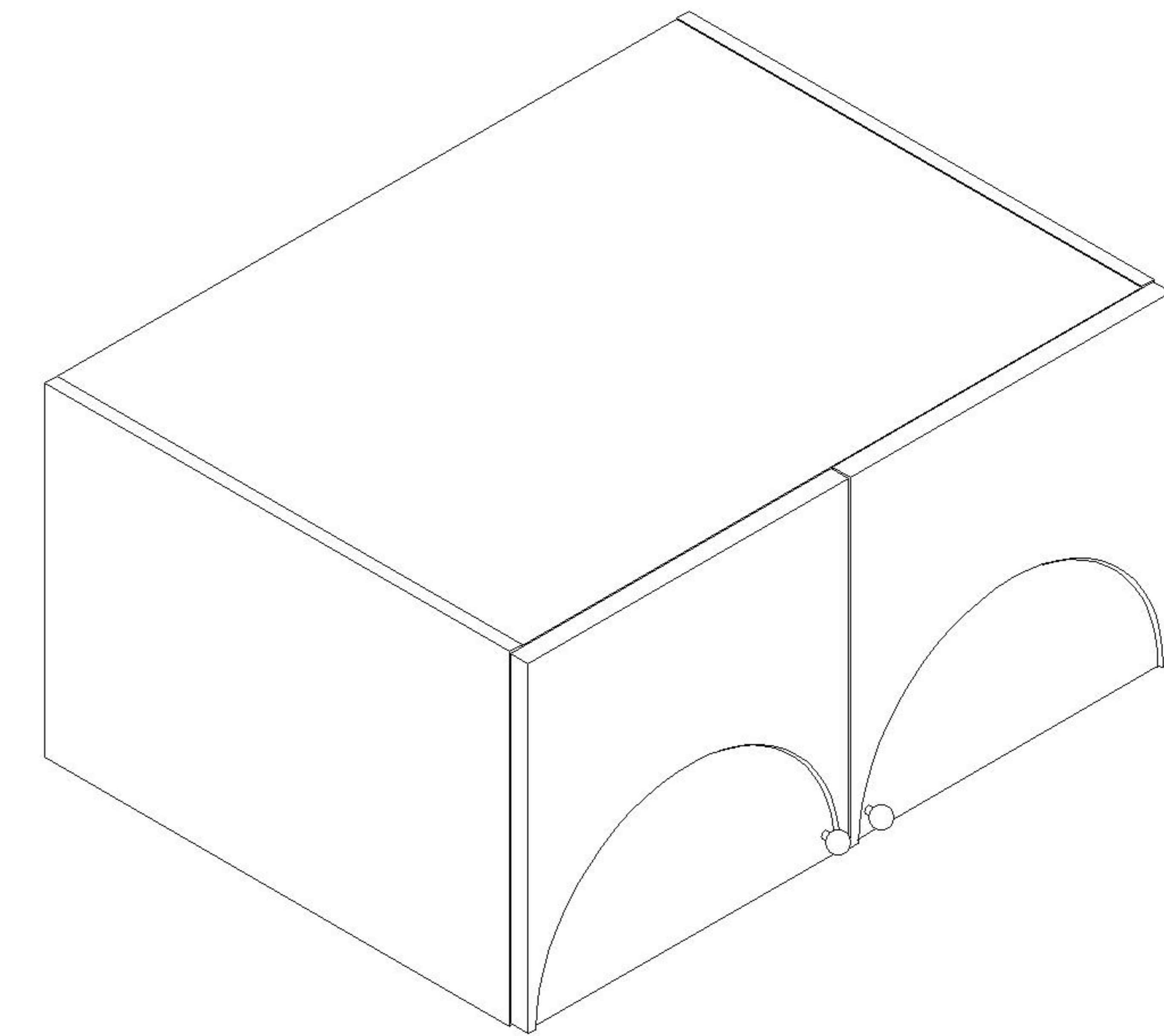


背板扣 Back Plate Buckle-White

- (C)*4
- (E)*4



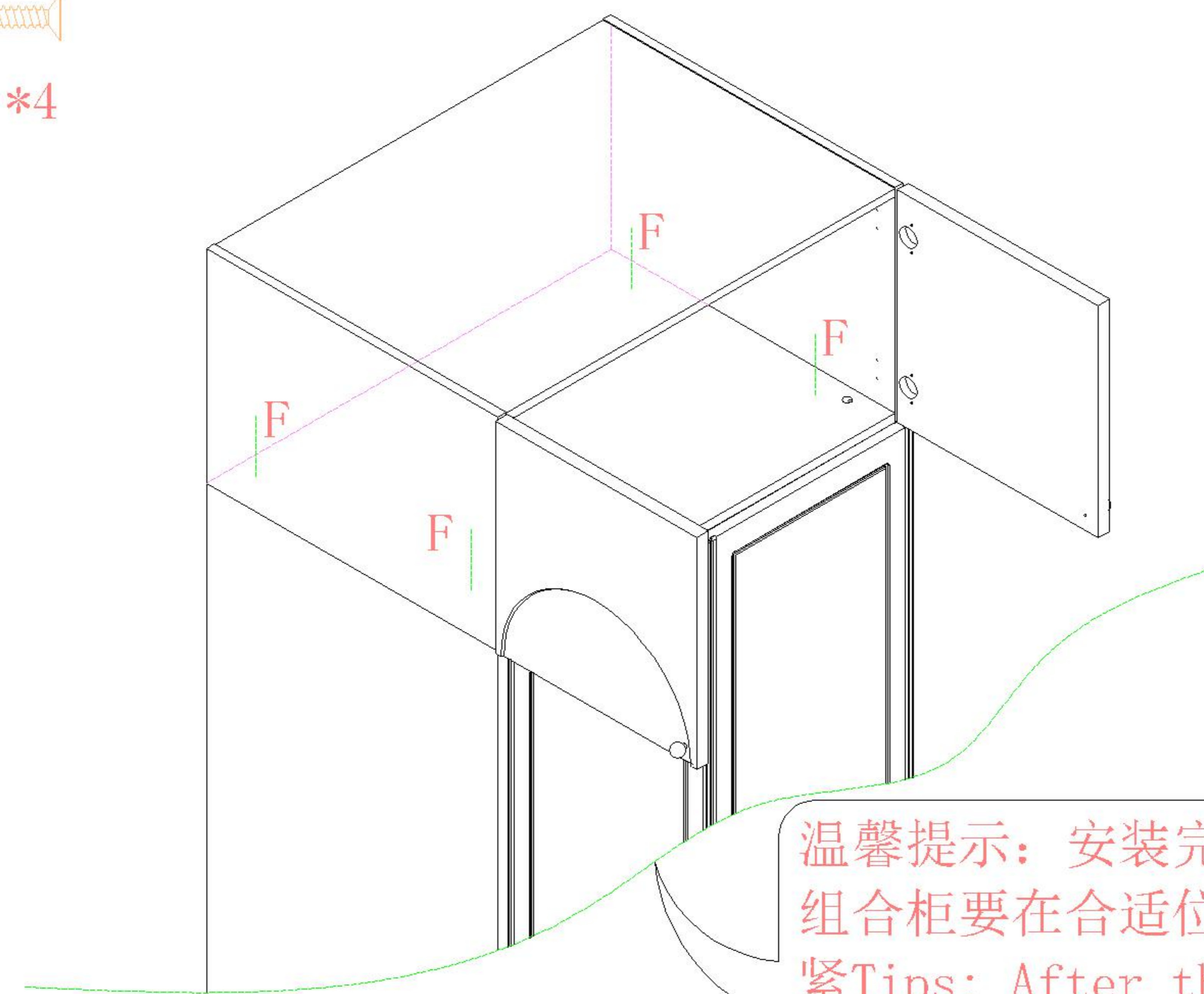
5



6

▲安装完成
Installation is complete

- (F)*4



7

温馨提示：安装完成后，顶柜与组合柜要在合适位置用五金F锁紧
Tips: After the installation, the top cabinet and the combination cabinet should be locked with hardware F at appropriate positions