

LINSY 林氏家居

安装示意图/Assembly Instruction

产品名称 Model NO. PS215-A#

产品规格 Specification 左双人+右双人
Loveseat(L) + Loveseat(R)

尺寸组合 Combined size 2820*1030*870mm

成品 部件明细 Finished Parts Details	编号 NO.	名称 Name	规格 Specification	数量 QTY	材质 Material
	1	左双人 Loveseat(L)	1410*1030*870mm	1	实木+夹板+海绵+皮革+真皮 Solid wood + Plywood + Sponge + Leather + Leather
	2	右双人 Loveseat(R)	1410*1030*870mm	1	实木+夹板+海绵+皮革+真皮 Solid wood + Plywood + Sponge + Leather + Leather

制图 Draw C16

配件表 Accessories list

编号NO.	名称 Name	图示 Icon	数量 QTY	左双人 Loveseat(L)	右双人 Loveseat(R)
A	说明书(含安装图) Mounting Instruction (with drawing)		1	1	0
B	SG-(直径72*40mm)沙发通用小圆脚 SG-(diameter 72*40mm) sofa general purpose small round feet		8	4	4
C	M8*45全牙螺杆 M8*45 threaded rod		8	4	4
D	4分双勾么术布条100CM 4 points double hook cloth 100CM		2	1	1
E	脚-(直径50*35mm)黑色塑料脚 Feet -(Diameter 50*35mm) Black plastic feet		2	1	1
F	M5*50自攻螺丝 M5*50 self tapping screw		2	1	1

如何区分沙发的左右方向?
How to zone the left and right direction of the sofa?

(图示仅供分辨方向用/Picture are for orientation only)



人坐在沙发, 贵妃在左边
Sitting on sofa with imperial concubine on the left
左贵妃 Left
右贵妃 Right
人坐在沙发, 贵妃在右边
Sitting on sofa with imperial concubine on the right

安装人数
Installer



充电式手电钻Cordless hand drill
或者Or
十字螺丝刀Phillips screwdriver

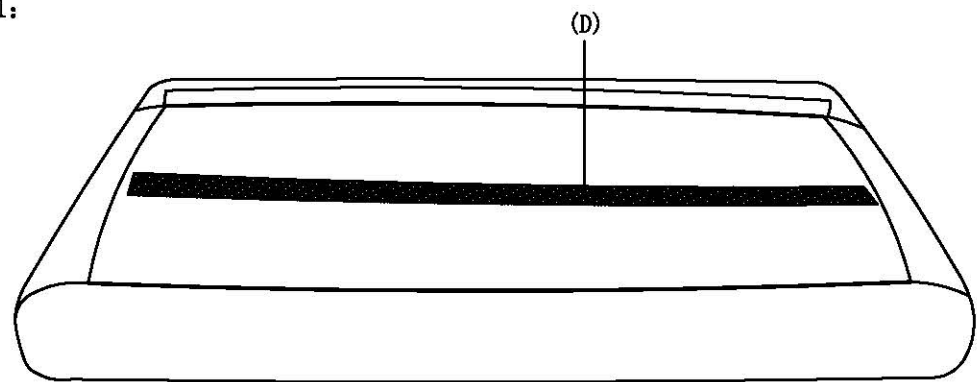
客户安装前须知:

Customers need to know before installation:
此安装图为“左双人+右双人”的位置关系。
This installation picture is "Loveseat(L) + Loveseat(R)"

2-1

靠包*2 On package*2

STEP 1:



注:
靠包背面要粘贴上4分双勾么术布条100cm
Note:
The back of the bag should be pasted with a 4-cent double hook cloth 100cm

左双人 Loveseat(L)

STEP 1:

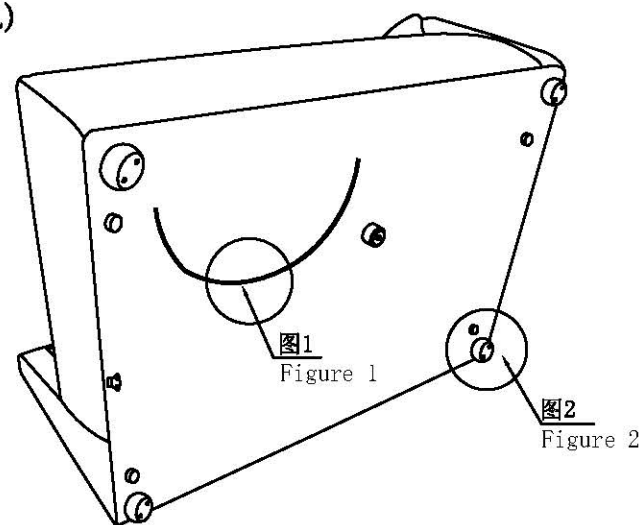


图1: 拉开拉链, 取出配件箱
Figure 1: Unzip the accessory case

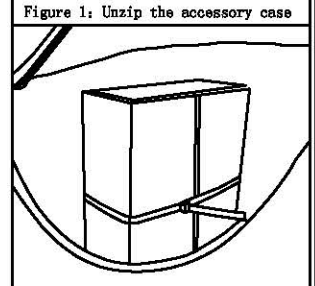


图2: 胶脚安装示意图
Figure 2: Schematic diagram of rubber foot installation

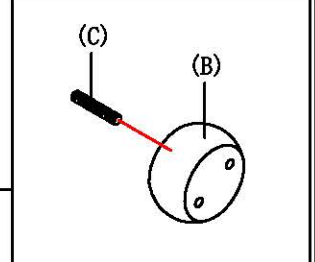
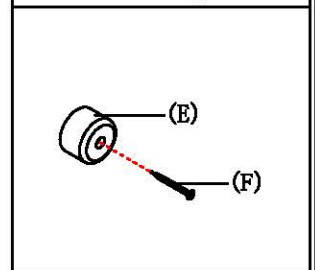


图3: 中脚安装示意图
Figure 3: Middle foot installation diagram



右双人 Loveseat (R)

STEP 1:

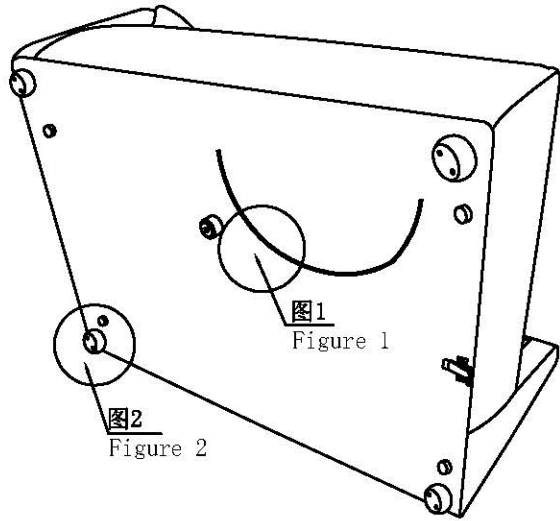


图1: 拉开拉链, 取出配件箱
Figure 1: Unzip the accessory case

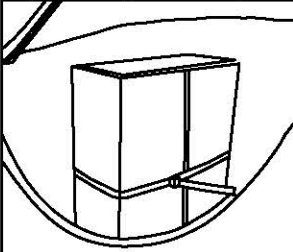
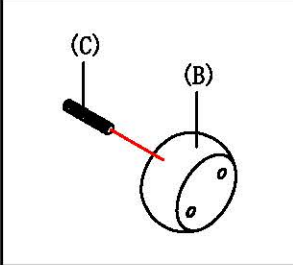
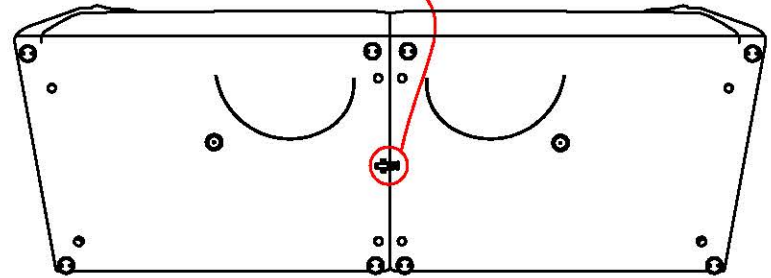
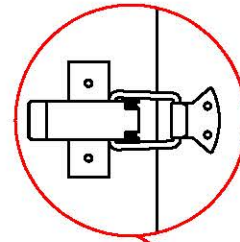


图2: 胶脚安装示意图
Figure 2: Schematic diagram of rubber foot installation



组合 Combination

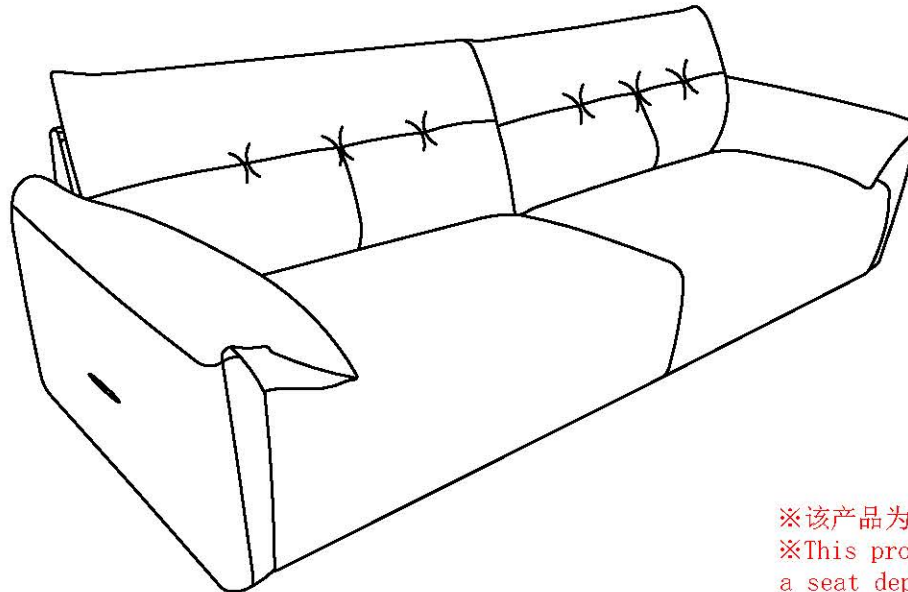
挂扣
Hook



把左双人、右双人靠一起, 锁上座架底的五金扣。
Put the Loveseat (L) and the Loveseat (R) together,
and lock the metal buckle at the bottom of the seat frame.

组合图 Combination

左双人+右双人 Loveseat (L) + Loveseat (R)



※该产品为定制产品, 座深为60-70cm
※This product is a customized product with
a seat depth of 60-70cm