

LINSY 林氏家居

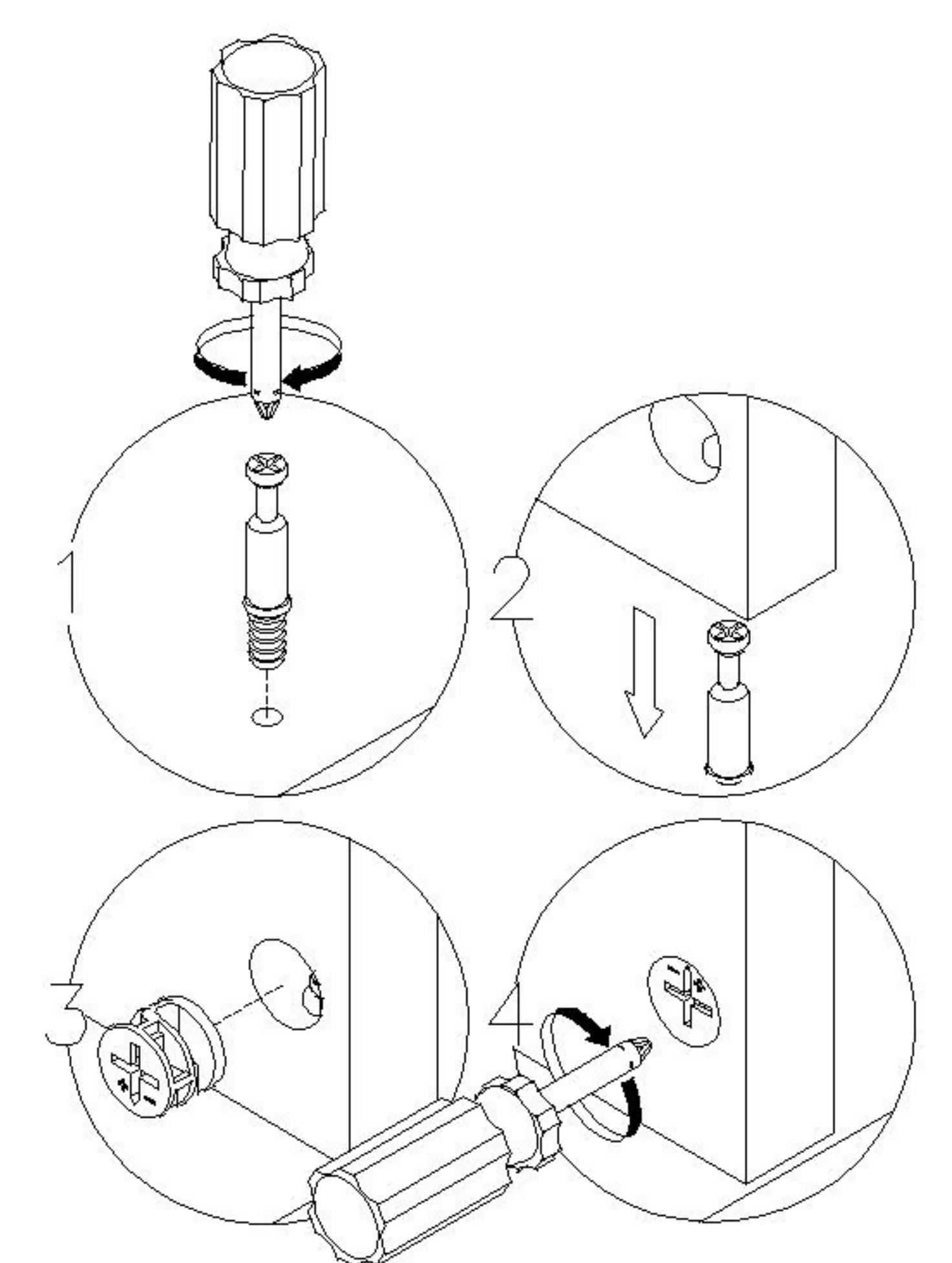
五金表/Hardware list

部件表/Parts List

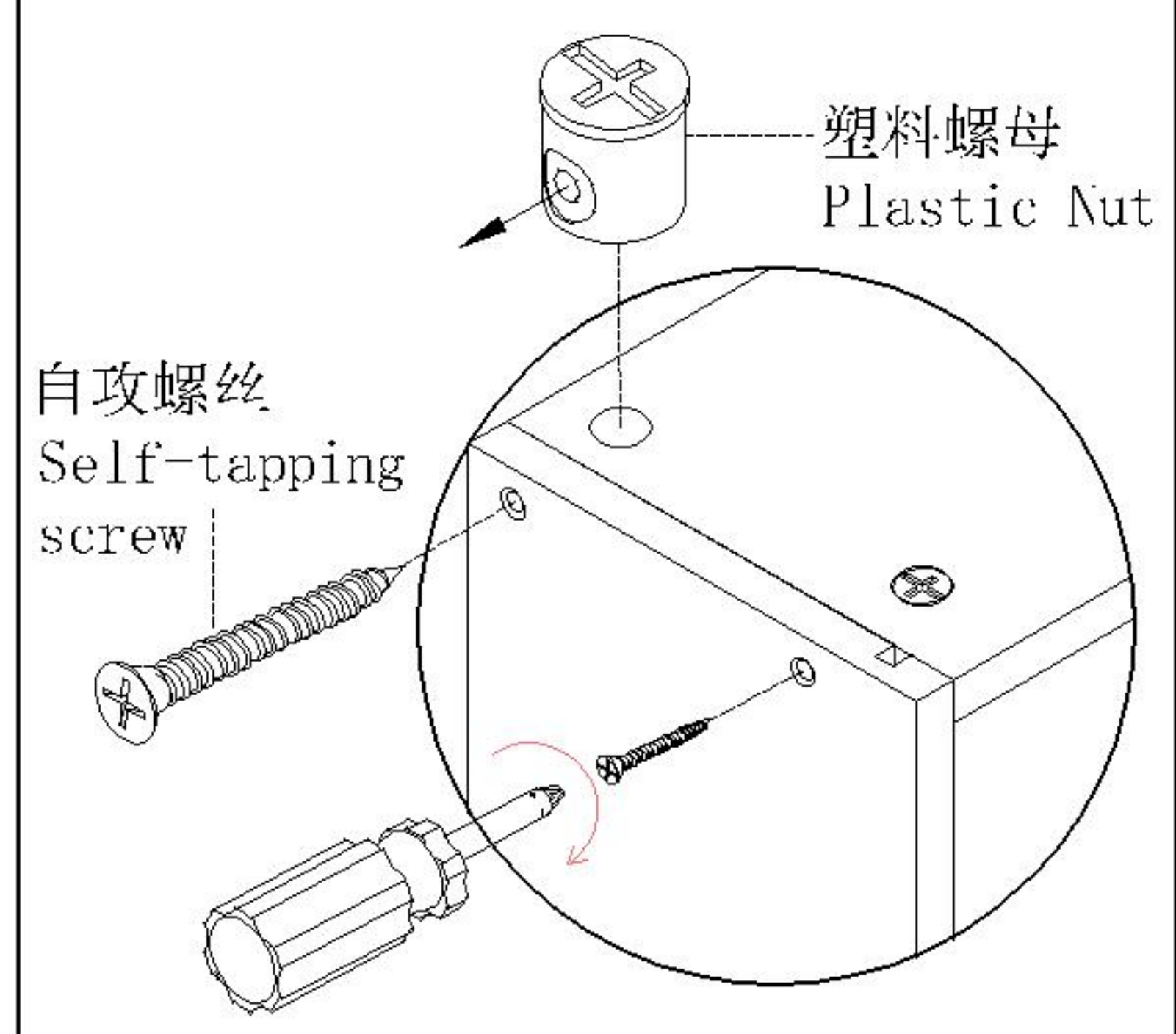
安装示意图/Assembly Instruction						编号NO.	名称Name	规格(mm) Specification	数量QTY	材质Material	
产品名称 Model NO.	NU1M-B	(A)*13 小二合一杆 2-in-1 small rod	(B)*13 小三合一锁饼 3-in-1 small lock	(C)*17 二合一螺杆(35mm) 2-in-1-screw	(D)*17 大三合一锁饼(15mm) Three-in-one large lock	①	侧板Side board	346*270*125	2	三胺板 Melamine	
产品规格 Specification	2600~2120*350*349mm	(E)*17 木榫Ø8x30mm wood tenon	(F)*13 塑料螺母 Plastic Nut	(G)*13 自攻螺丝M4x40mm Self tapping screw	(H)*44 自攻螺丝M3.5x12mm Self tapping screw	②	面板Top panel	1546*346*15	1	三胺板 Melamine	
安装工具 Tool	安装人数Installer	(I)*3 三节滚珠导轨10" Three-section rail	(J)*16 脚垫-灰色毛毡 Foot pad	(K)*8 自攻螺丝M3.5x16mm Self tapping screw	(L)*8 背板扣 Back Panel Buckle	③	底板Bottom board	1546*346*15	1	三胺板 Melamine	
		(M)*3 反弹器 Rebounder	(N)*1 全牙螺杆-(M6*60mm) Full thread screw	(O)*8 防滑垫 non-slip mat	(P)*0.8m 垫片 Black shim	④	中侧板Middle side board	298*240*15	2	三胺板 Melamine	
		(Q)*13 自攻螺丝M4x35mm Self tapping screw					⑤	前脚条Front foot strip	1680*58*25	1	三胺板 Melamine
							⑥	侧脚条Side foot strip	258*58*25	4	三胺板 Melamine
							⑦	背板Back board	1556*250*5	1	三胺板 Melamine
							⑧	右抽屉面板Drawer's panel (R)	548*236*15	1	三胺板 Melamine
							⑨	左抽屉面板Drawer's panel (L)	548*236*15	1	三胺板 Melamine
							⑩	中抽屉面板Drawer's middle board	582*236*15	1	三胺板 Melamine
							⑪	抽屉左侧板Drawer's side board (L)	295*142*12	3	三胺板 Melamine
							⑫	抽屉右侧板Drawer's side board (R)	295*142*12	3	三胺板 Melamine
							⑬	边抽屉后板Side drawer back plate	432*142*12	2	三胺板 Melamine
					⑭	中抽屉后板Middle drawer rear plate	502*142*12	1	三胺板 Melamine		
					⑮	边抽屉底板Side drawer base plate	442*291*5	2	三胺板 Melamine		
					⑯	中抽屉底板Middle drawer bottom plate	512*291*5	1	三胺板 Melamine		
					⑰	附柜面板Attached counter board	1210*350*25	1	木皮板 Wood veneer		
					⑱	饰板Trim panel	250*250*20	1	三胺板 Melamine		
					⑲	立柱Column	250*250*304	1	实木 Wood		
					⑳	岩板rock beam	1800*350*6	1	岩板rock beam		

NU1M-B

安装方法 Installation method

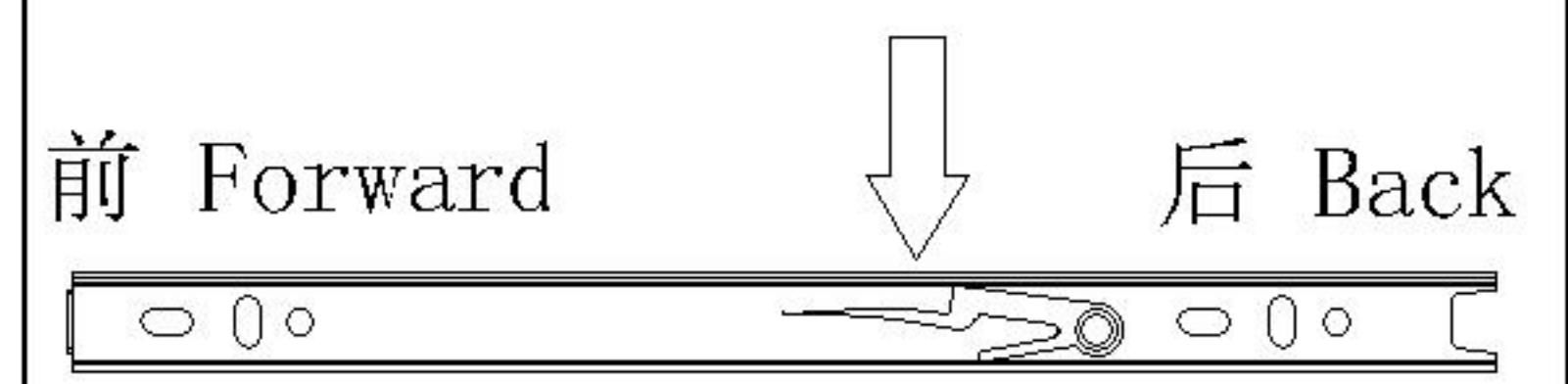


二合一
two-in-one

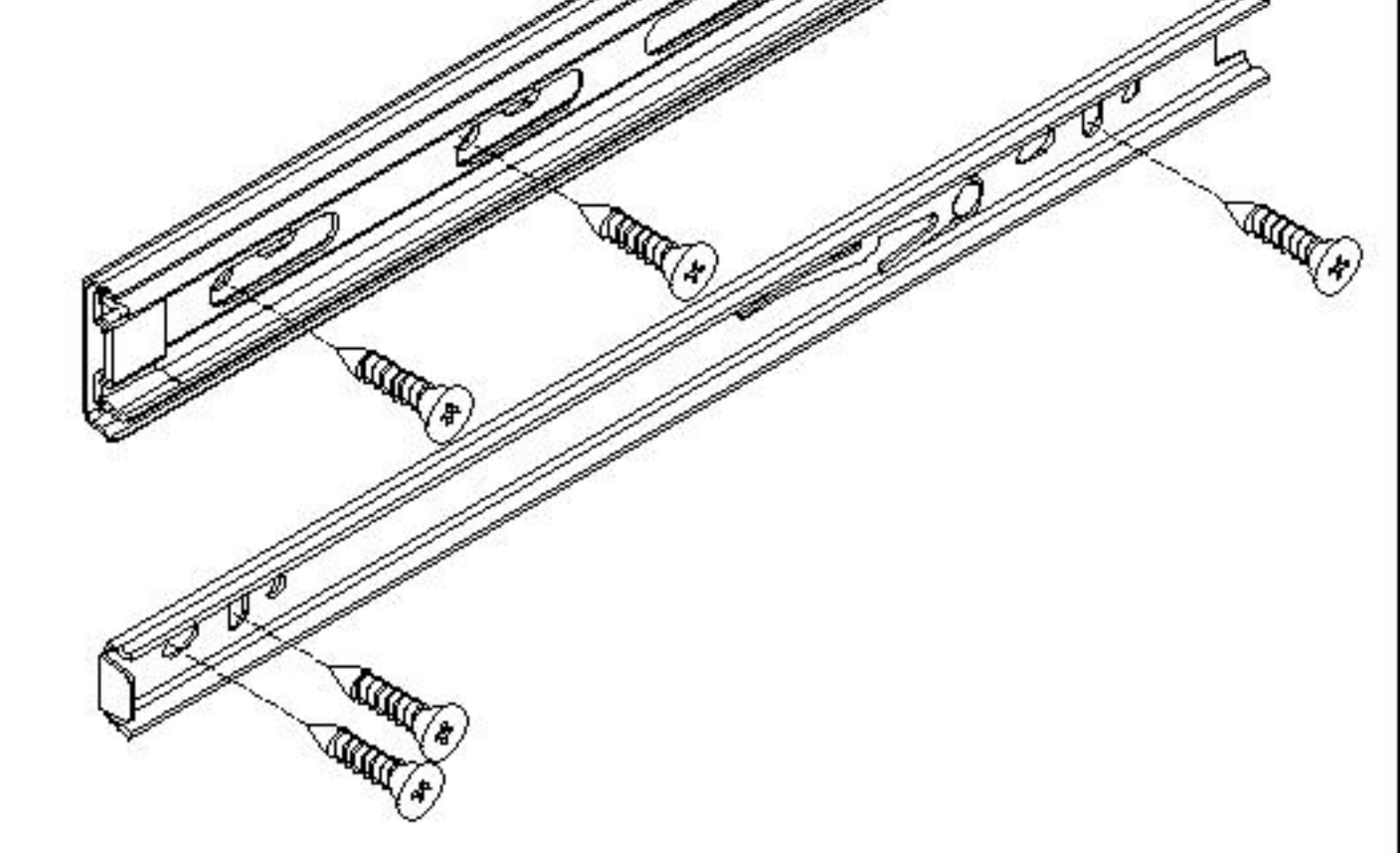


塑料螺母
Plastic Nut

阀门开关(下压为开)
Valve switch (press down to open)

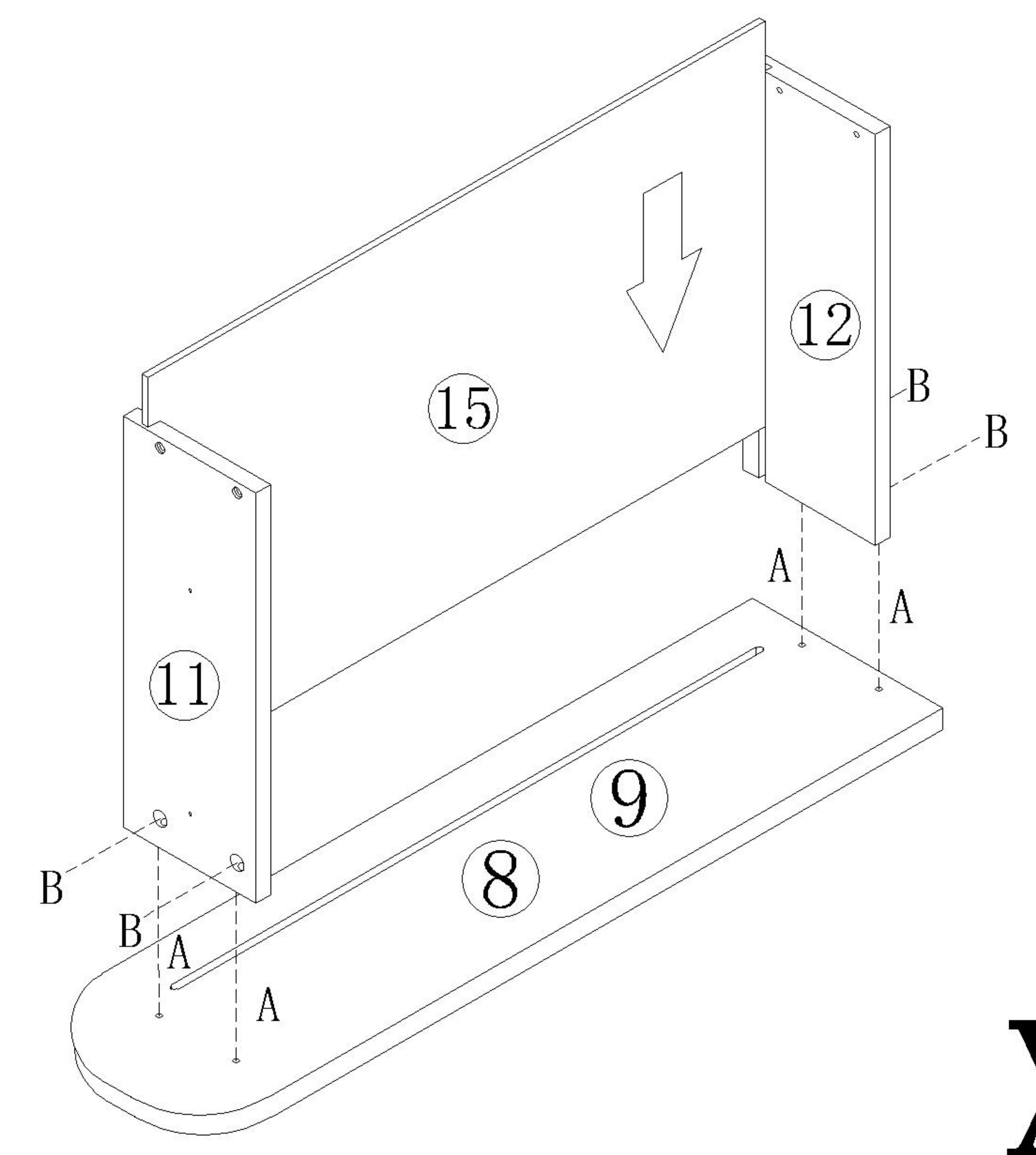


主轨 Main track



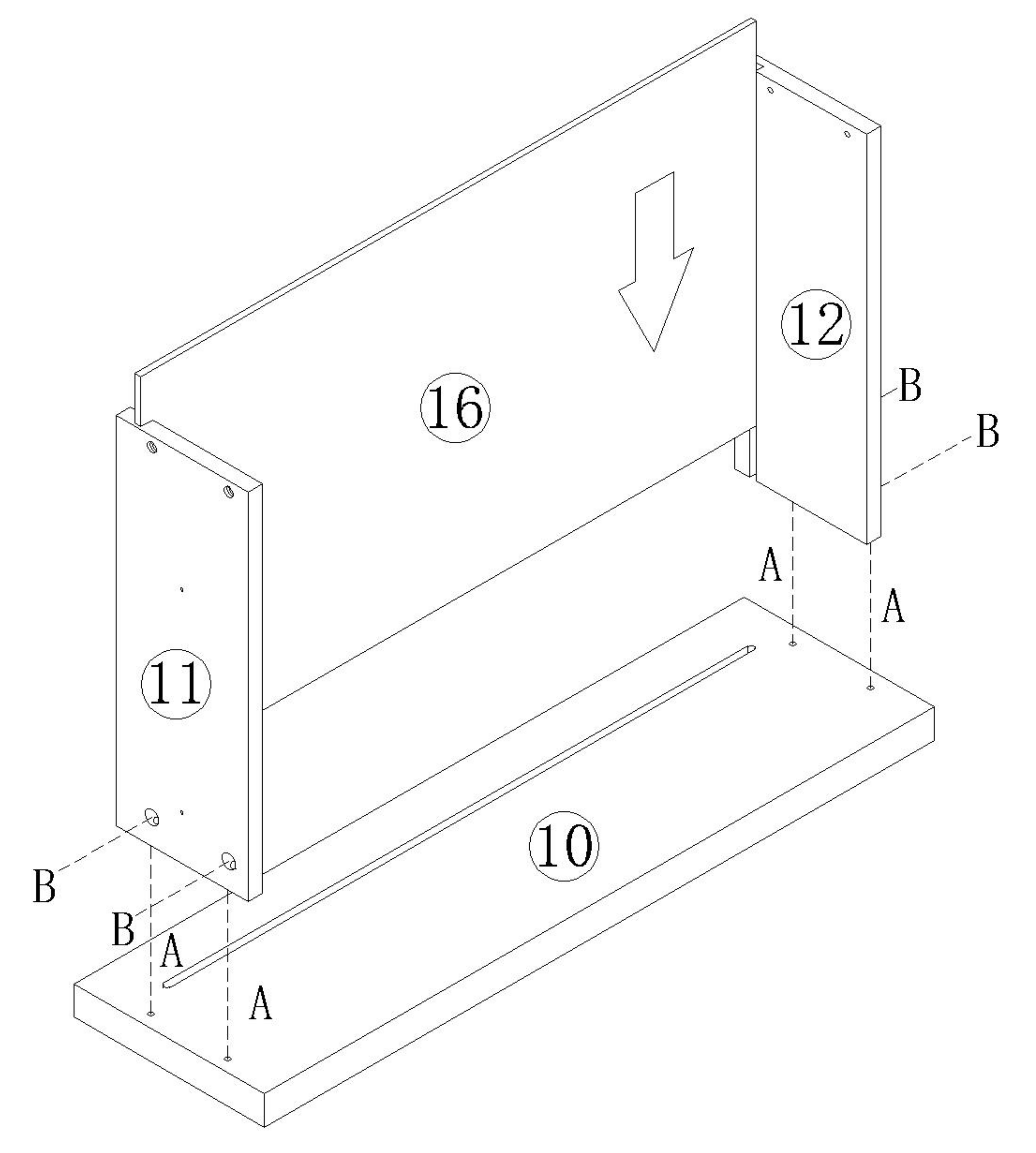
三节滚珠导轨-10"
Three-section rail

- (A)*8
- (B)*8



1

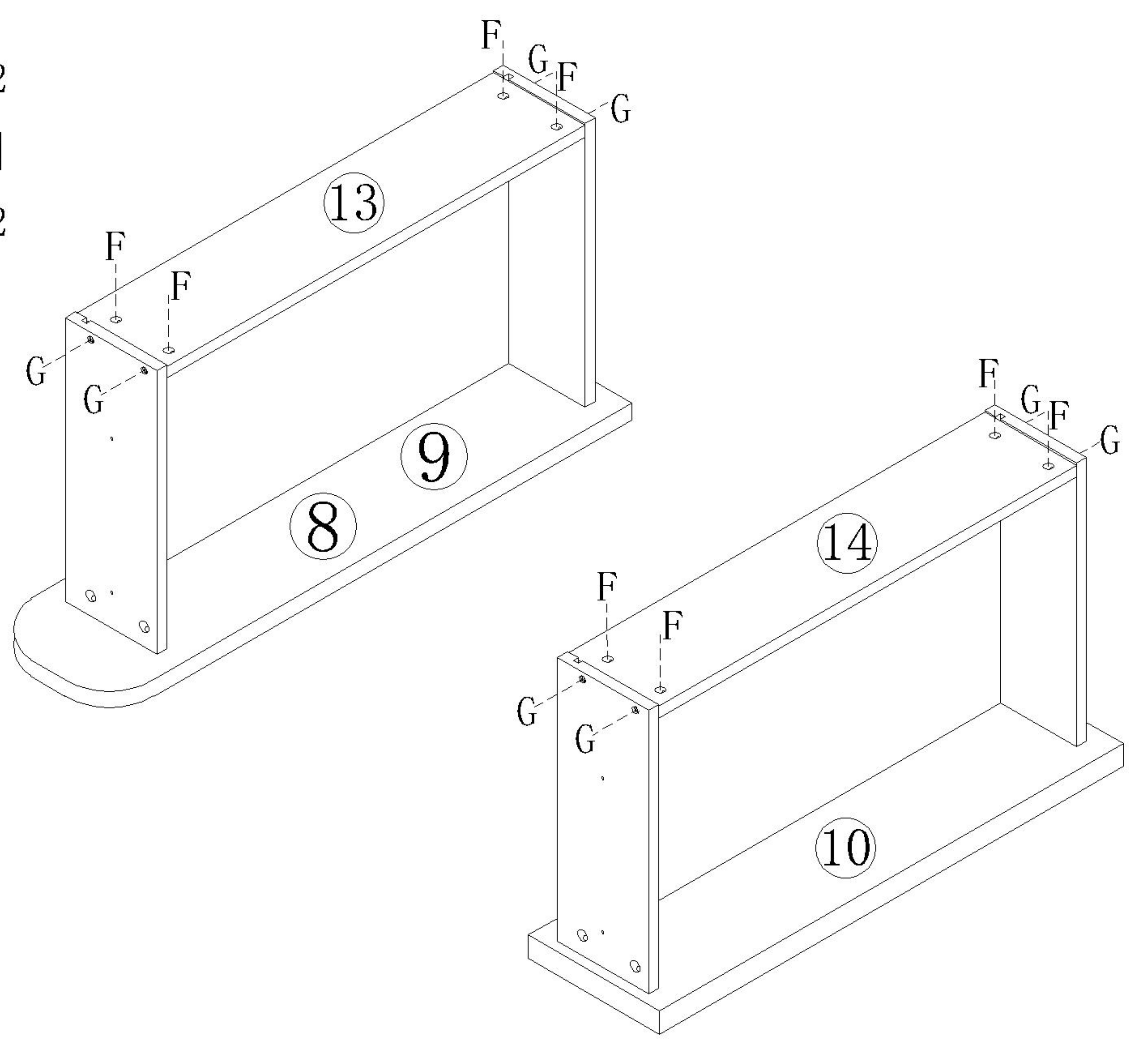
- (A)*4
- (B)*4



2

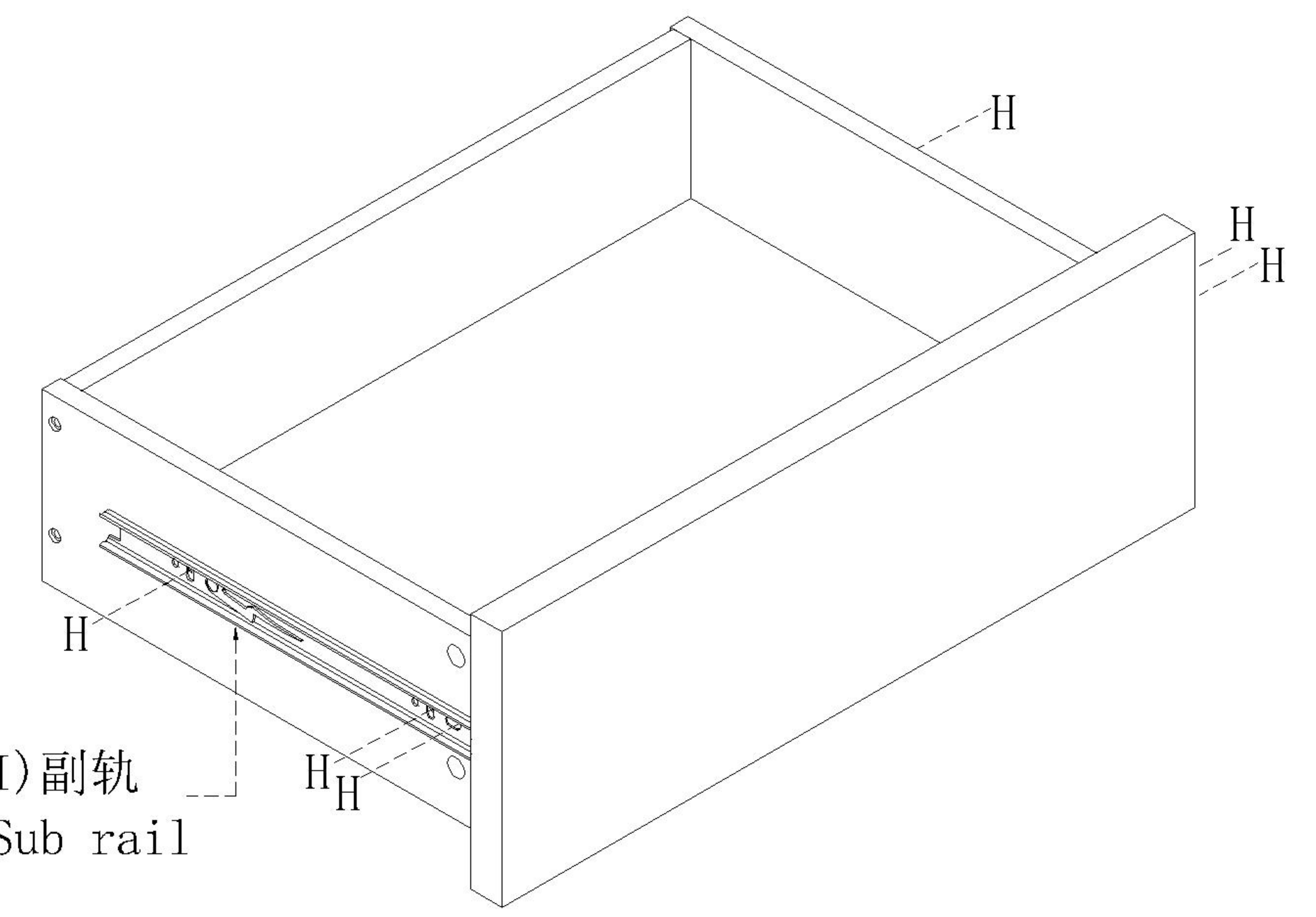
X2

- (F)*12
- (G)*12



3

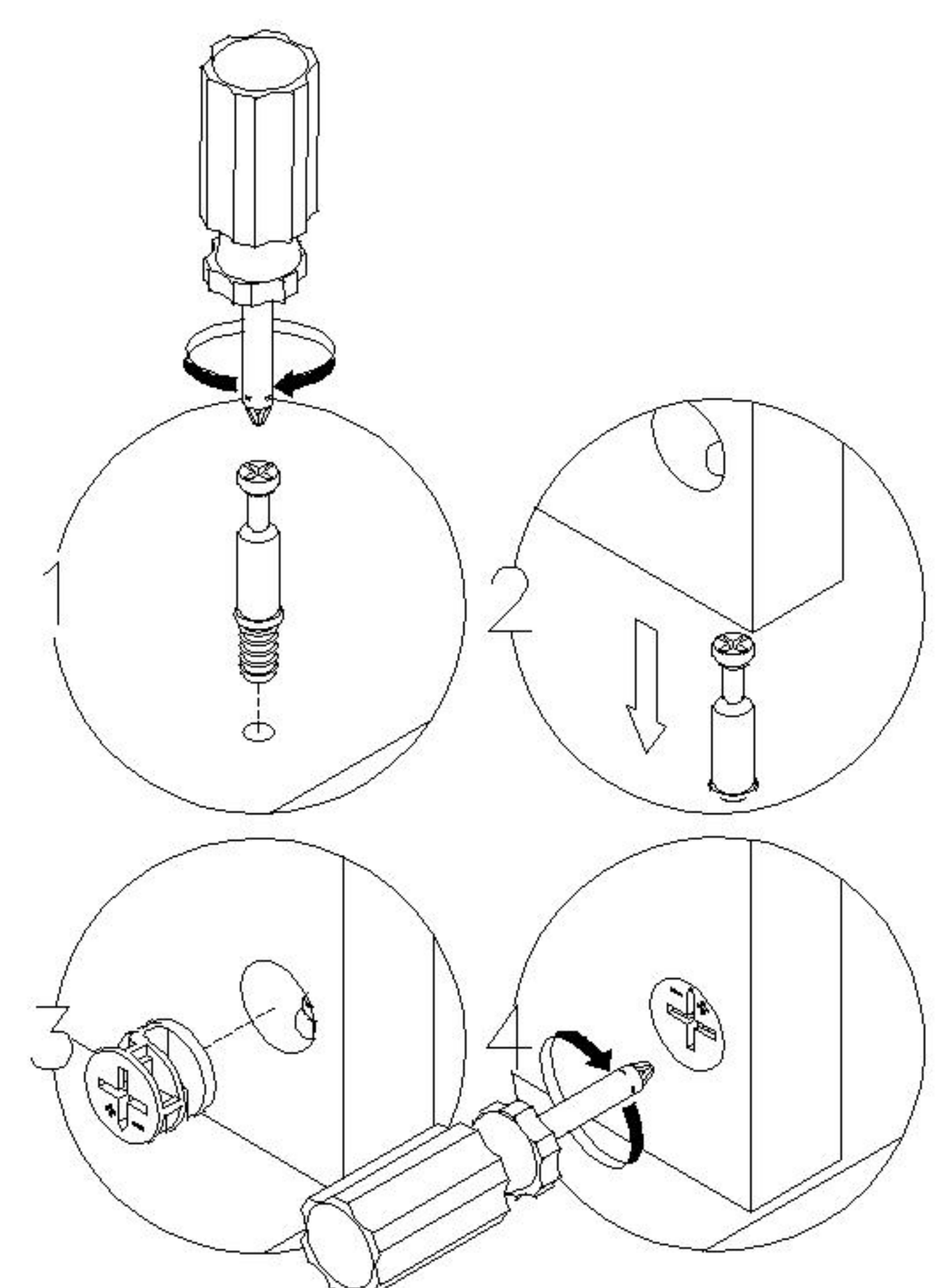
- (H)*18
- (I)*3



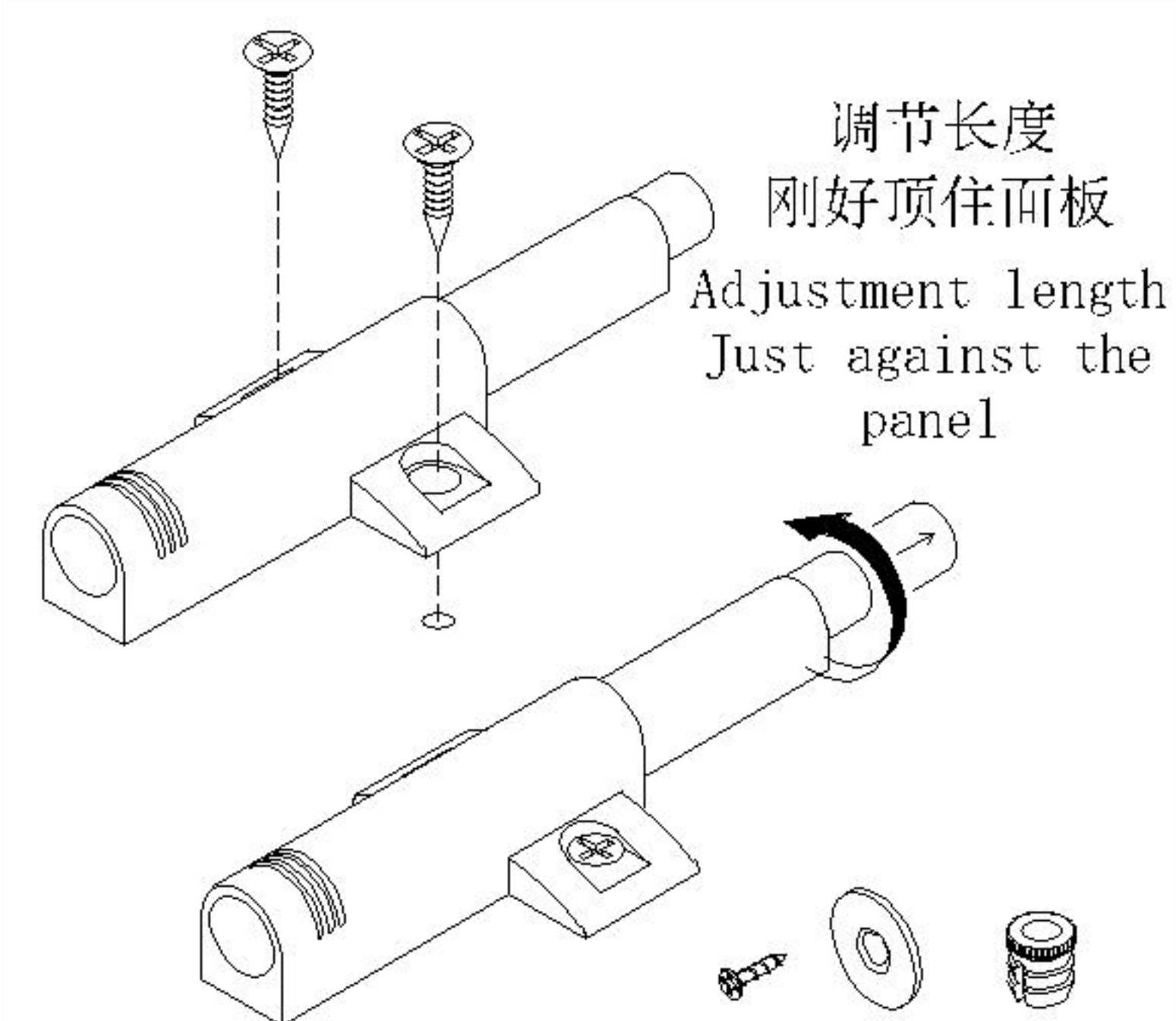
4

NU1M-B

安装方法
Installation method

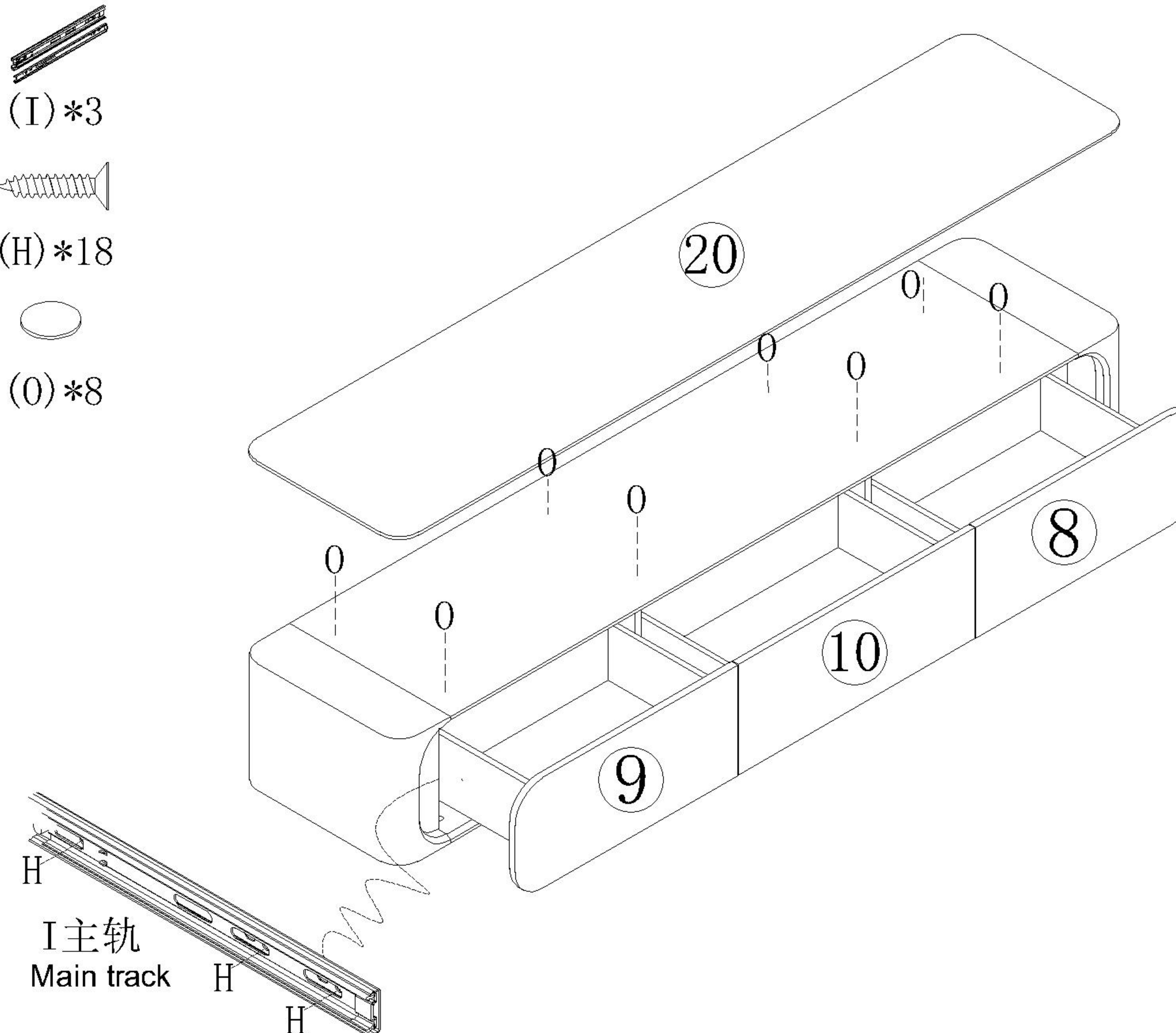
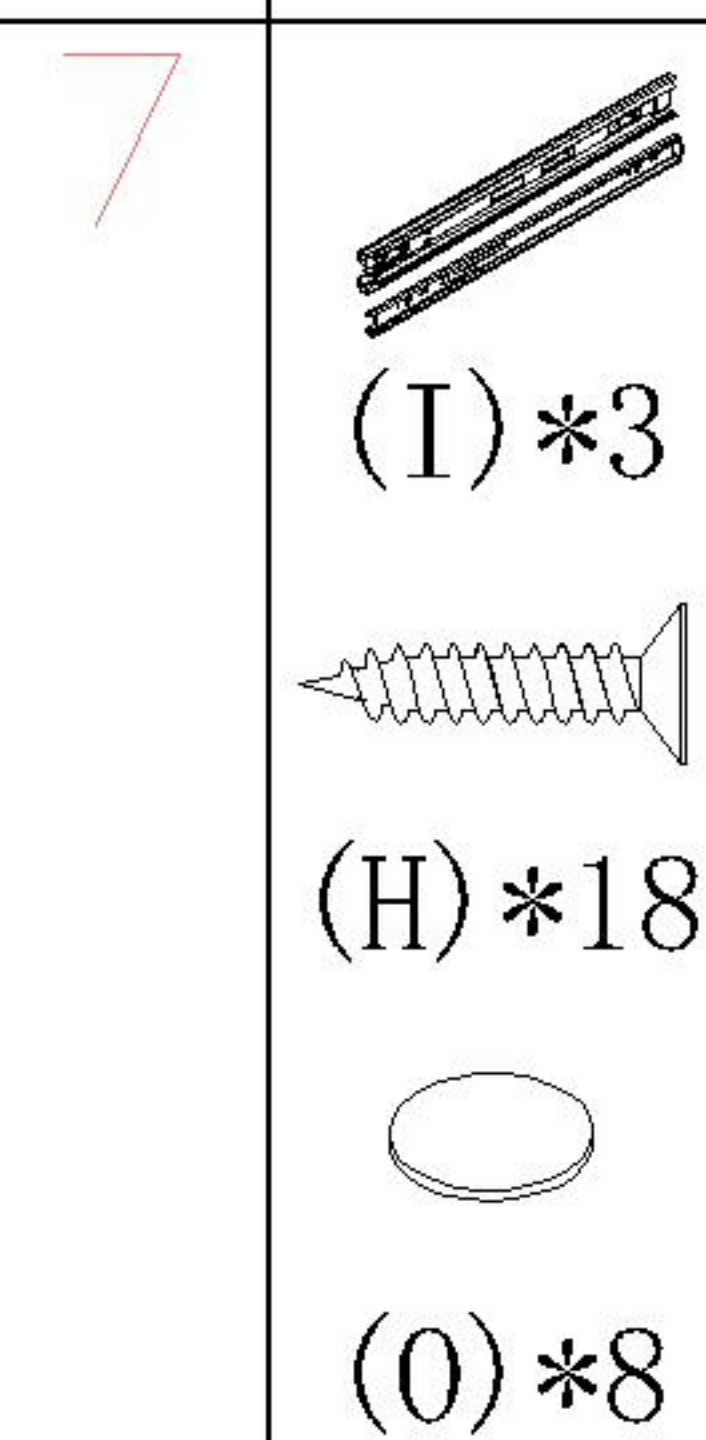
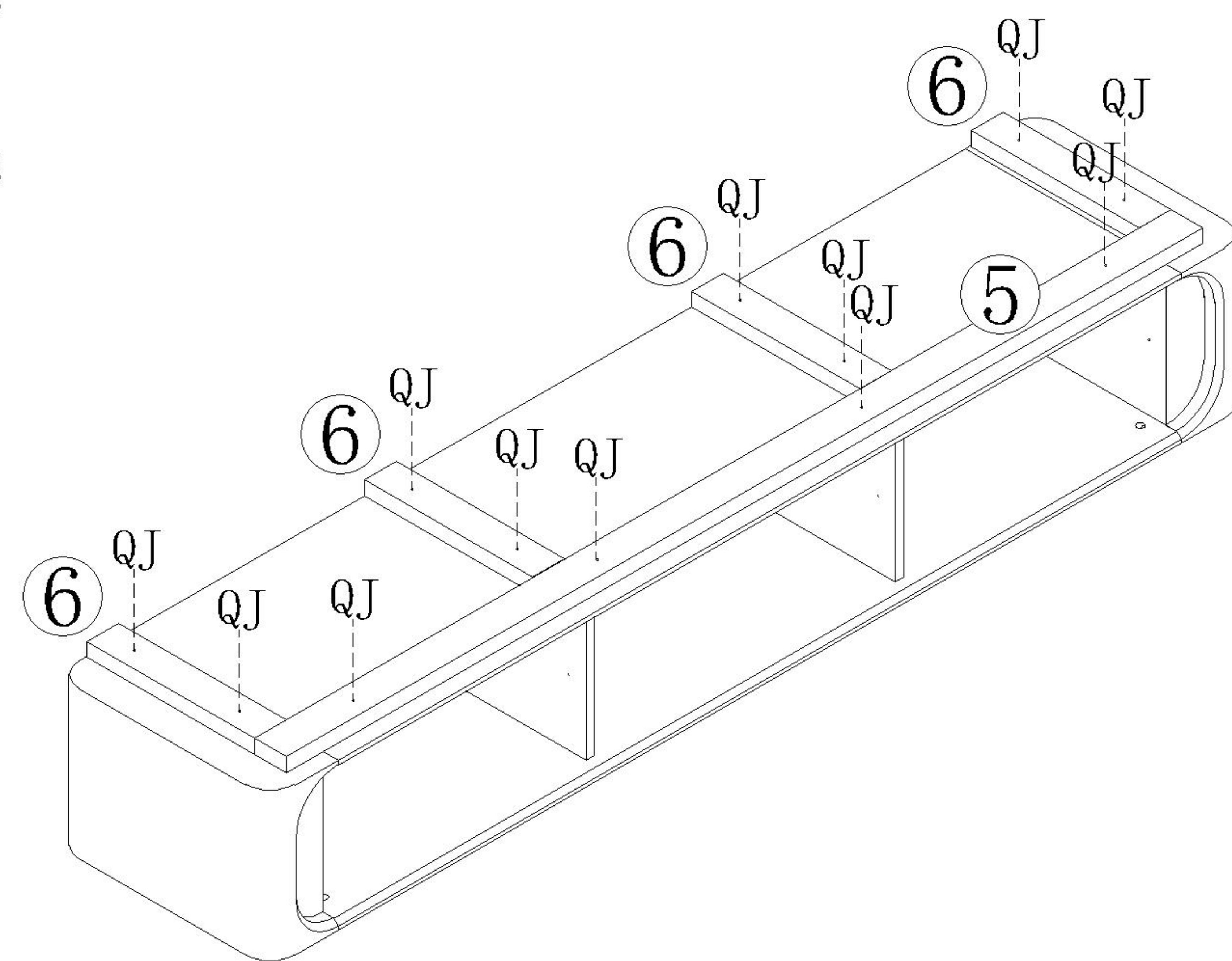
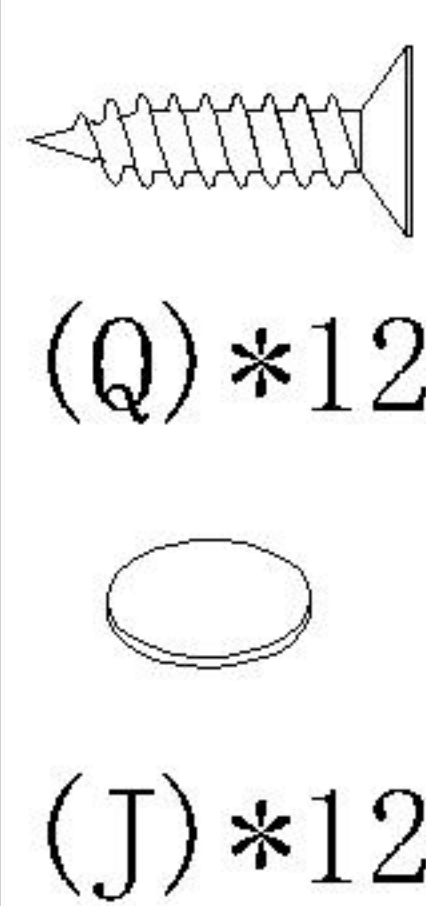
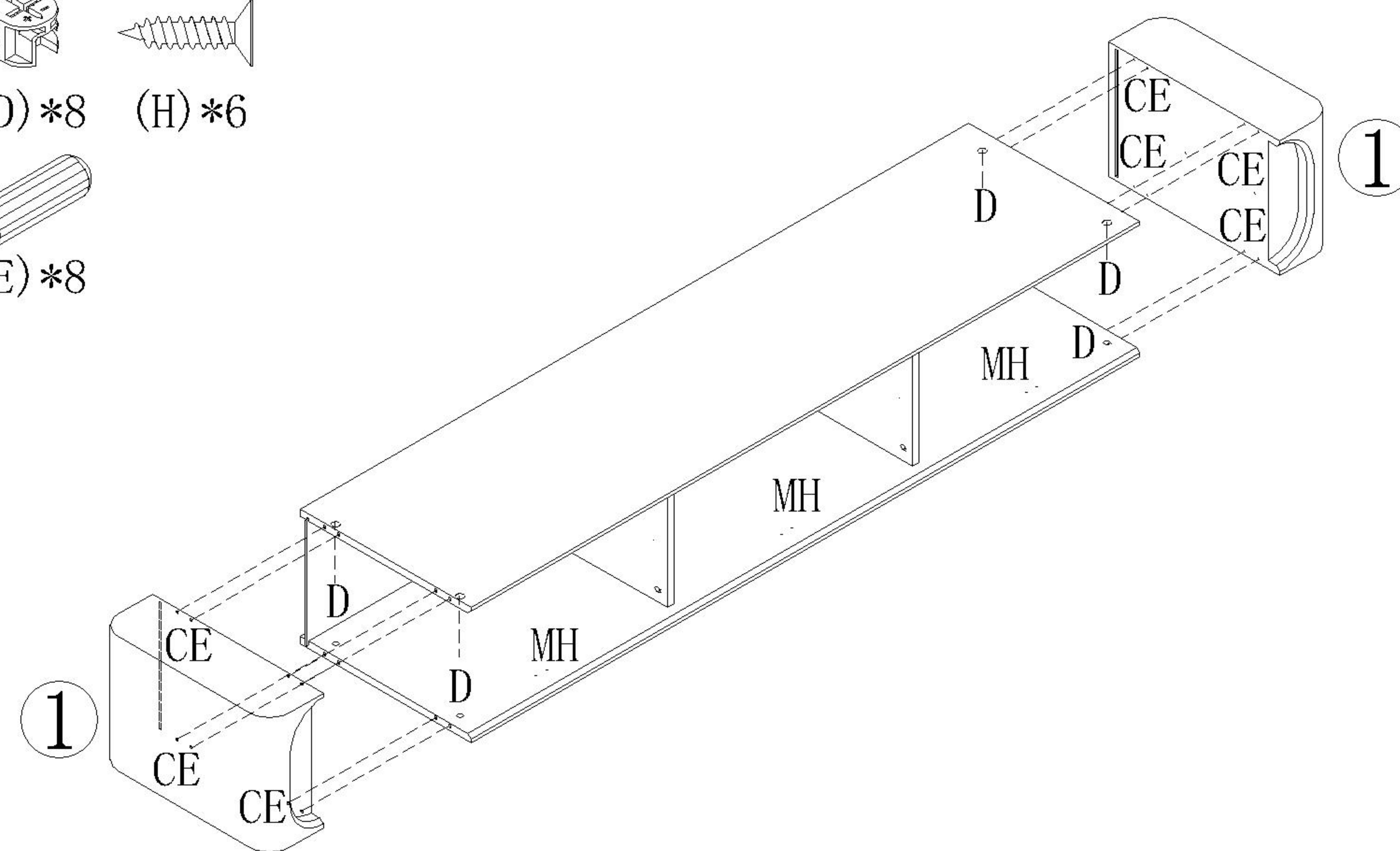
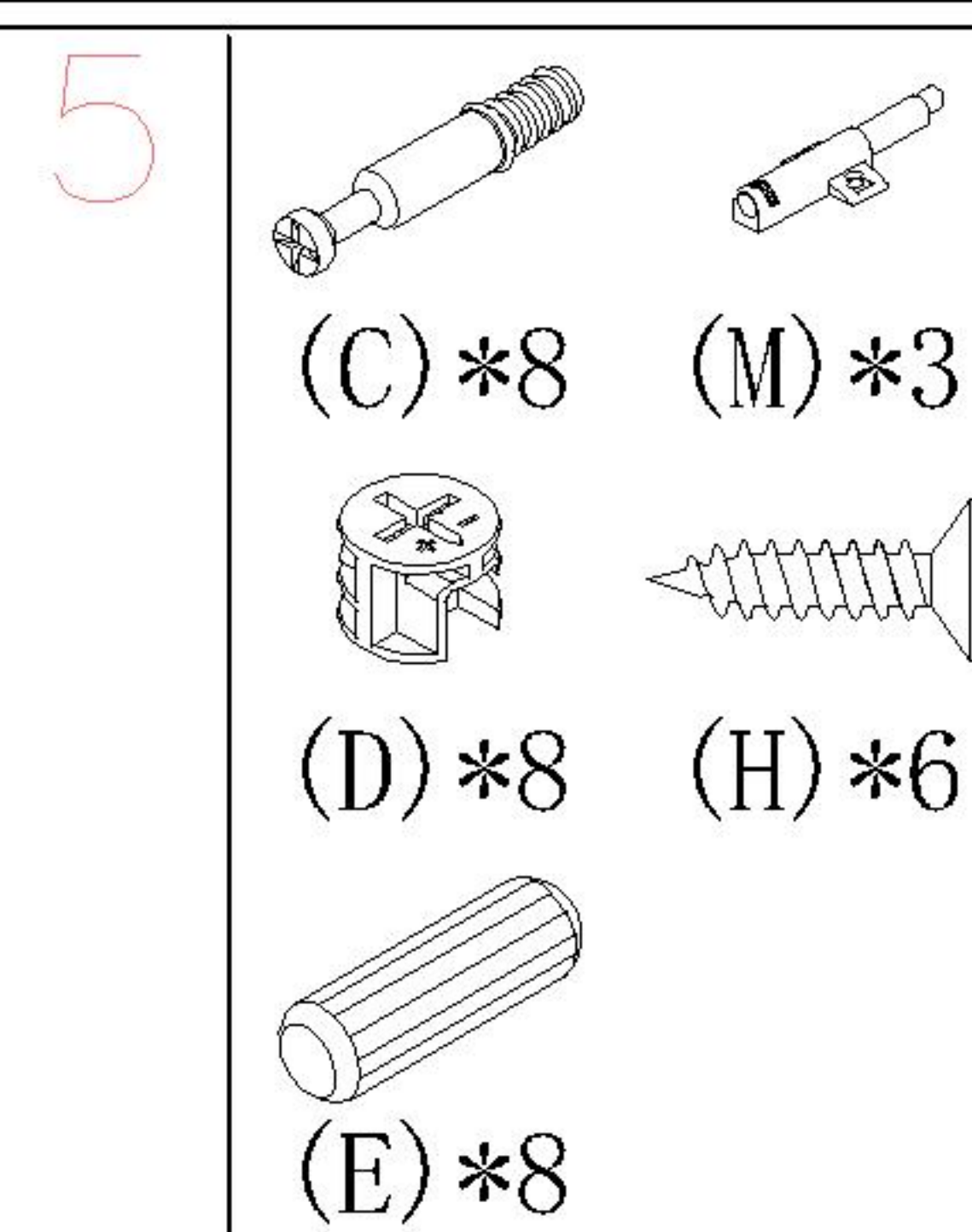
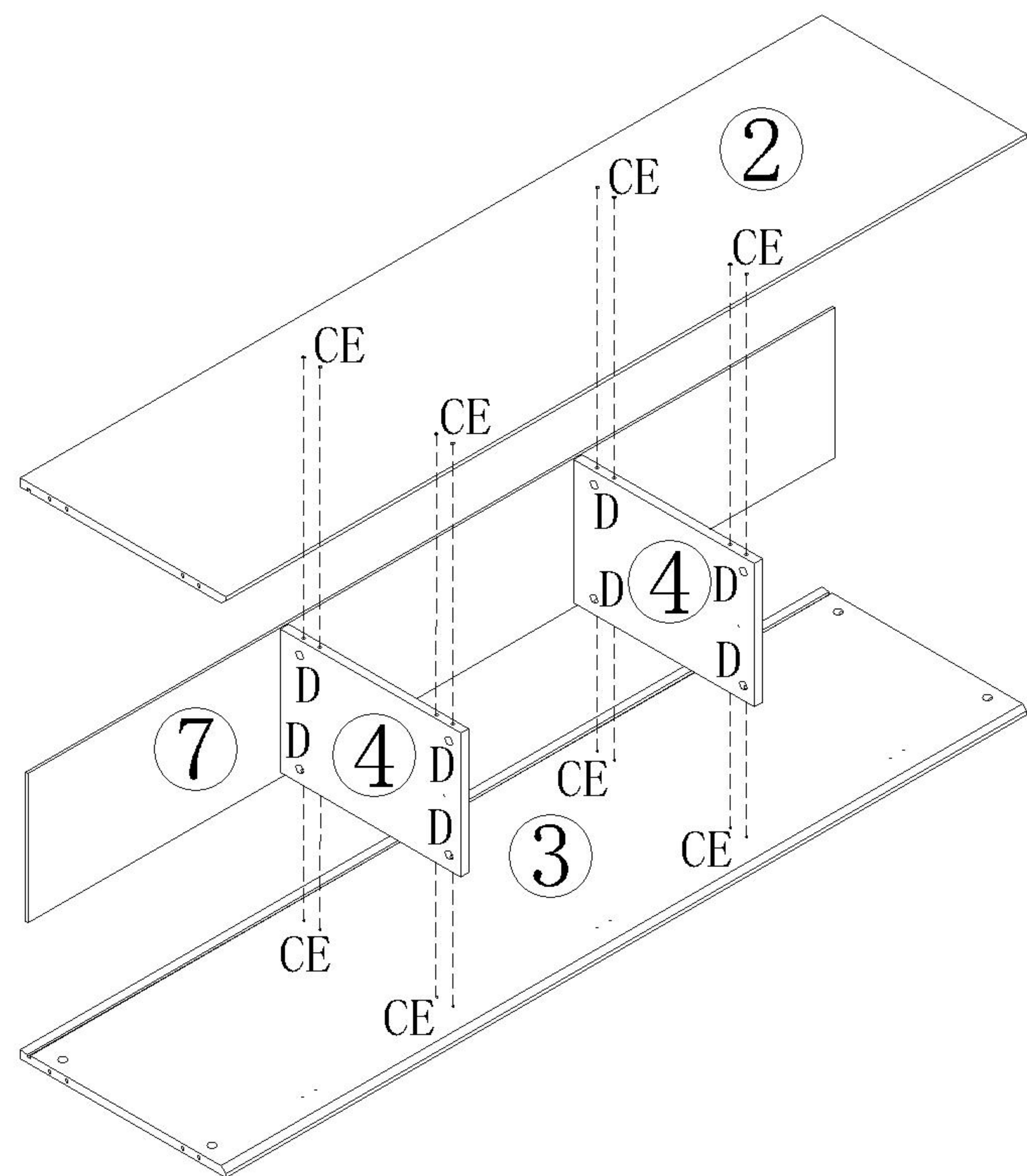
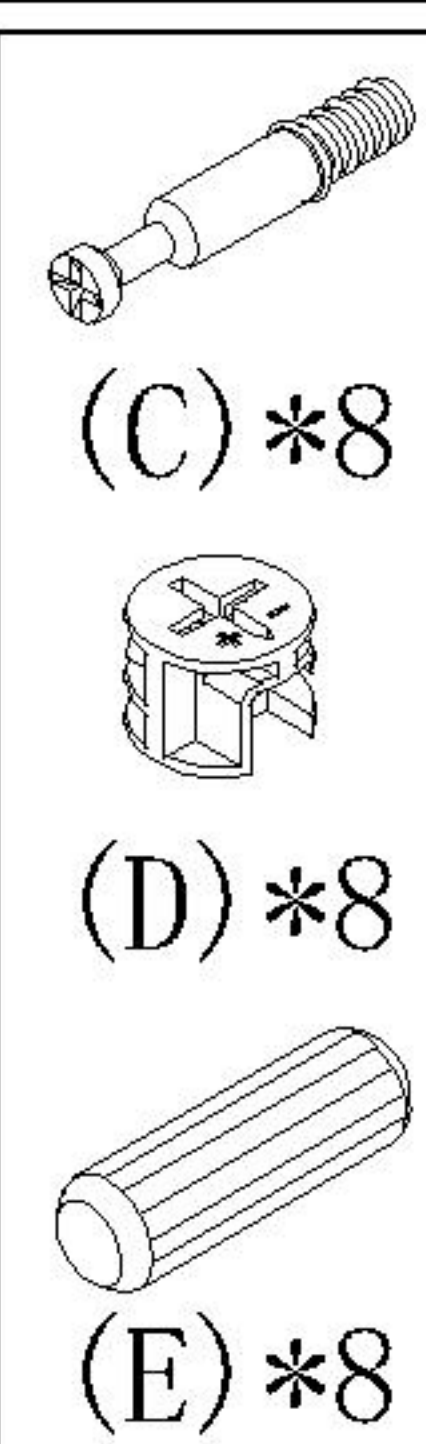


二合一
two-in-one



调节长度
刚好顶住面板
Adjustment length
Just against the panel

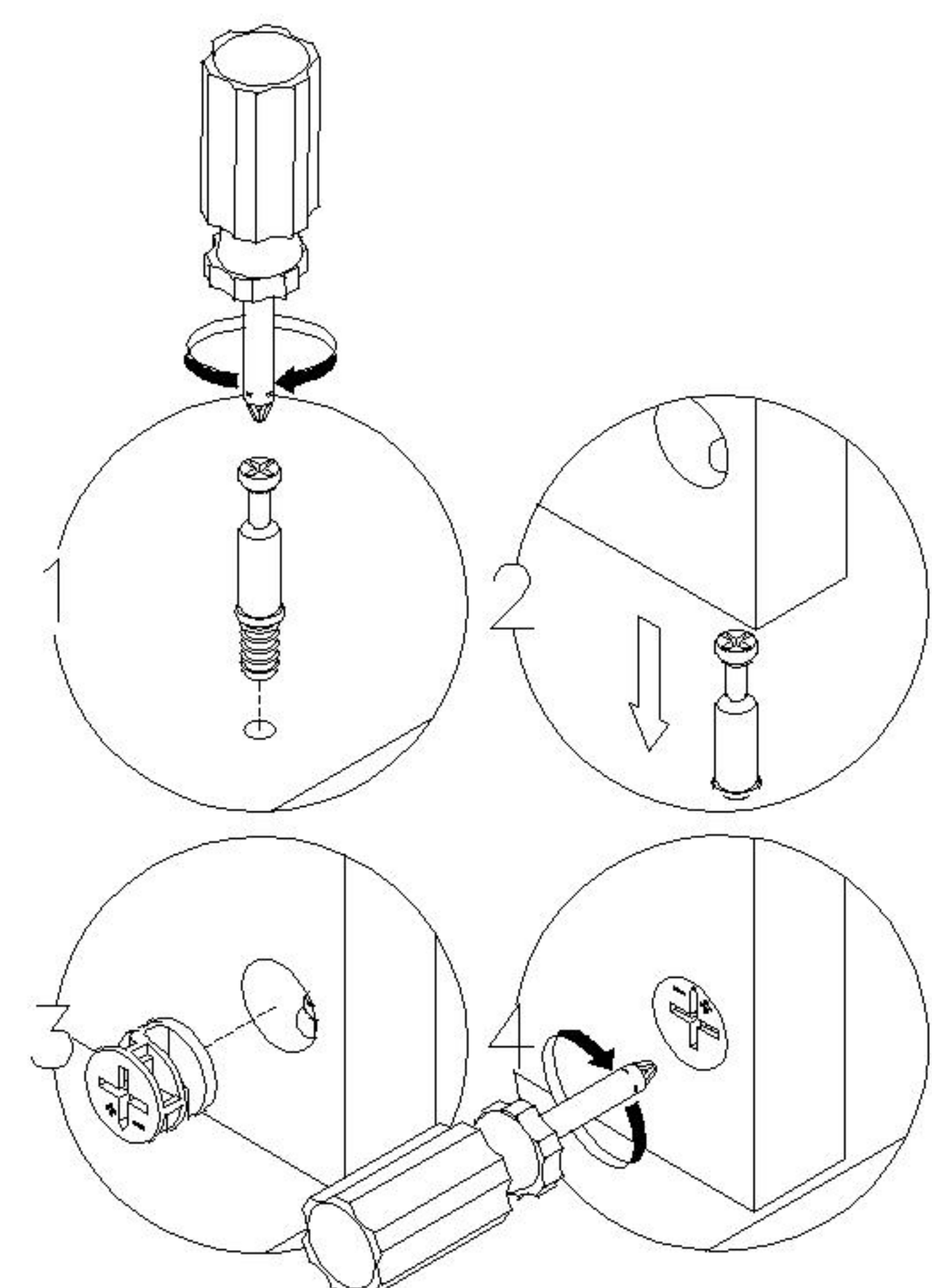
反弹器安装及调节方法
Installation and adjustment method of Bouncer



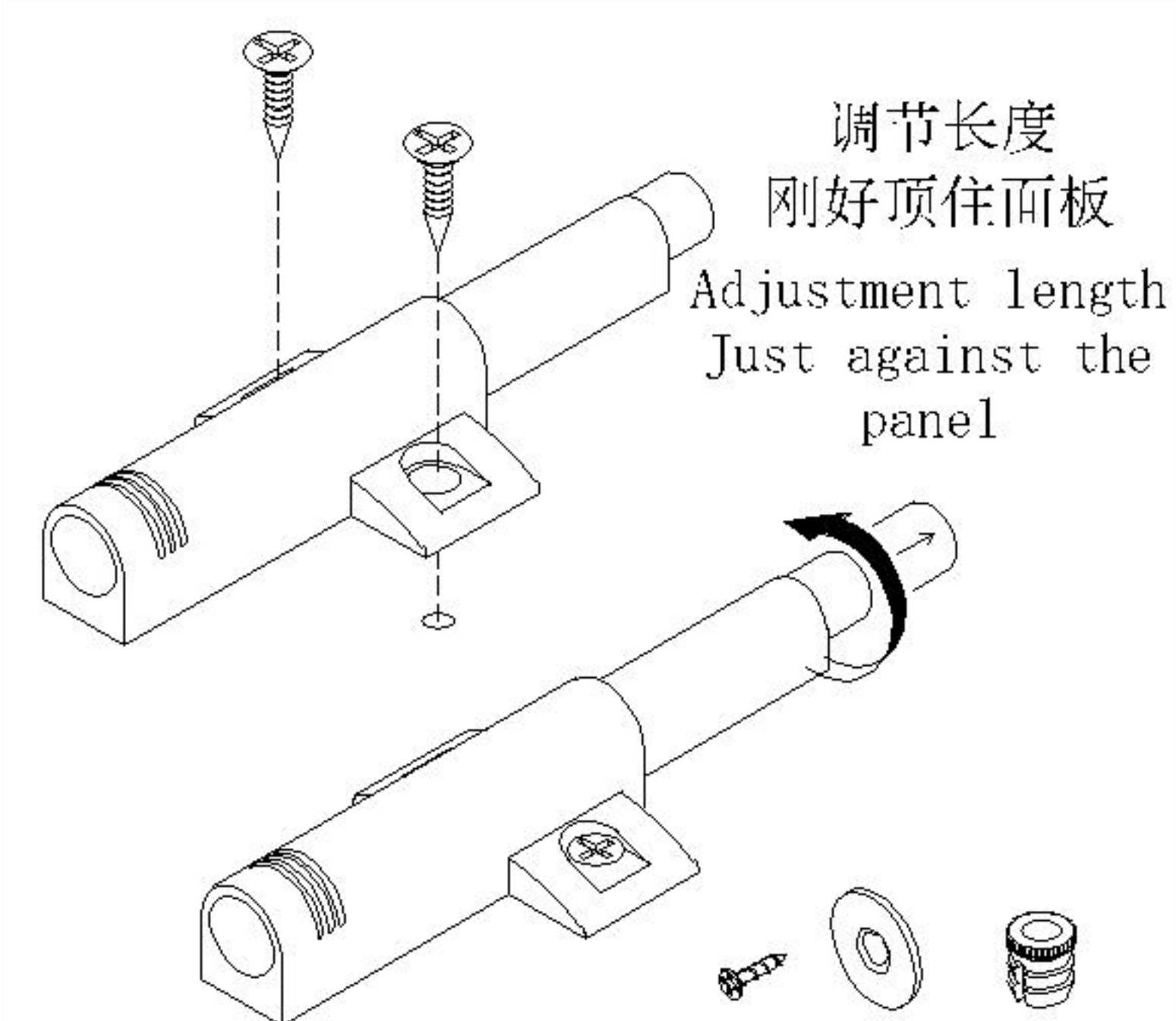
I主轨
Main track H

NU1M-B

安装方法 Installation method

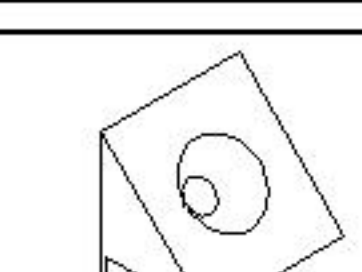


二合一
two-in-one

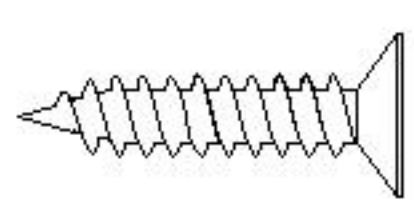


多余五金, 不需安装
Redundant hardware, no installation required

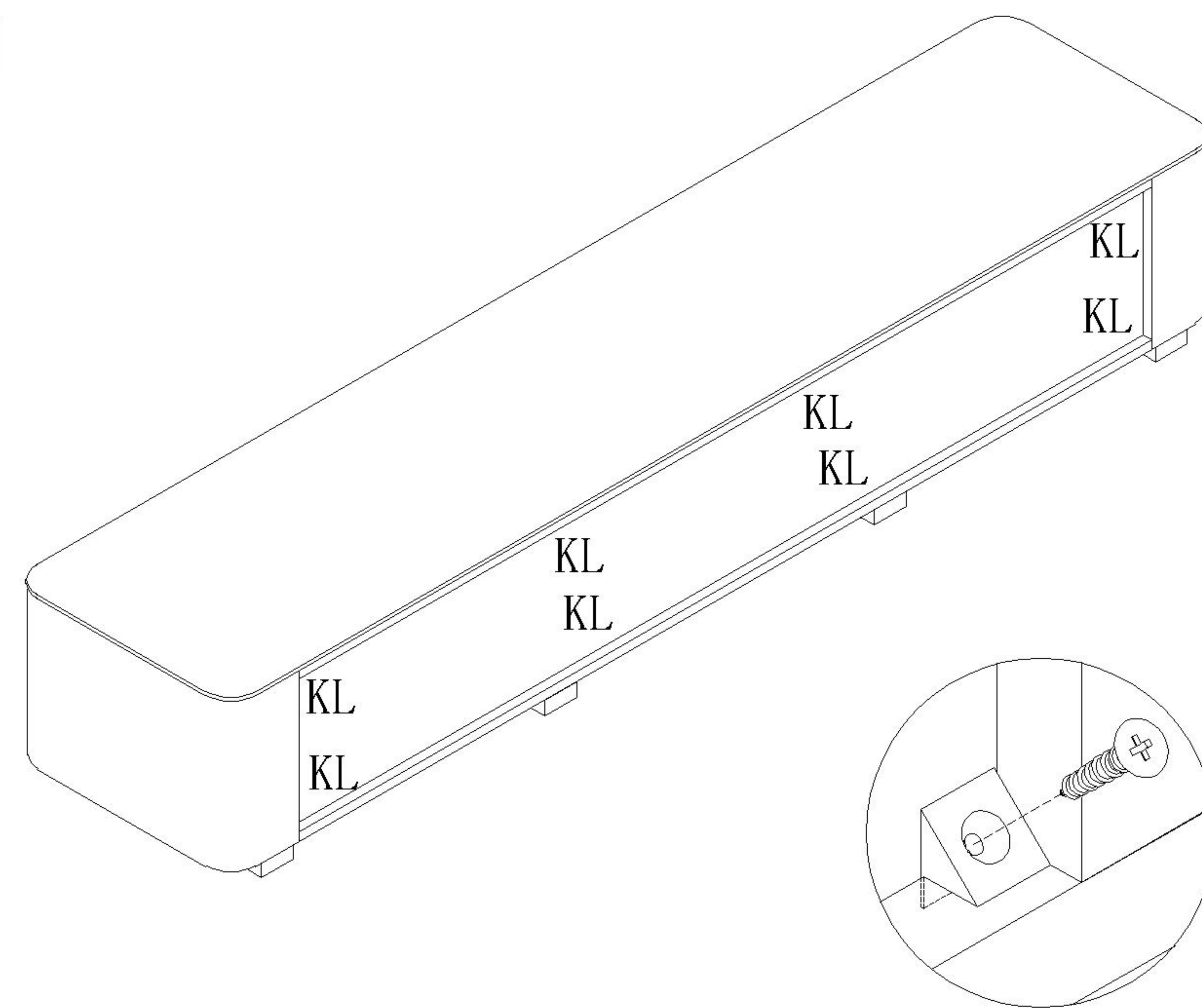
反弹器安装及调节方法 Installation and adjustment method of Bouncer



(L)*8



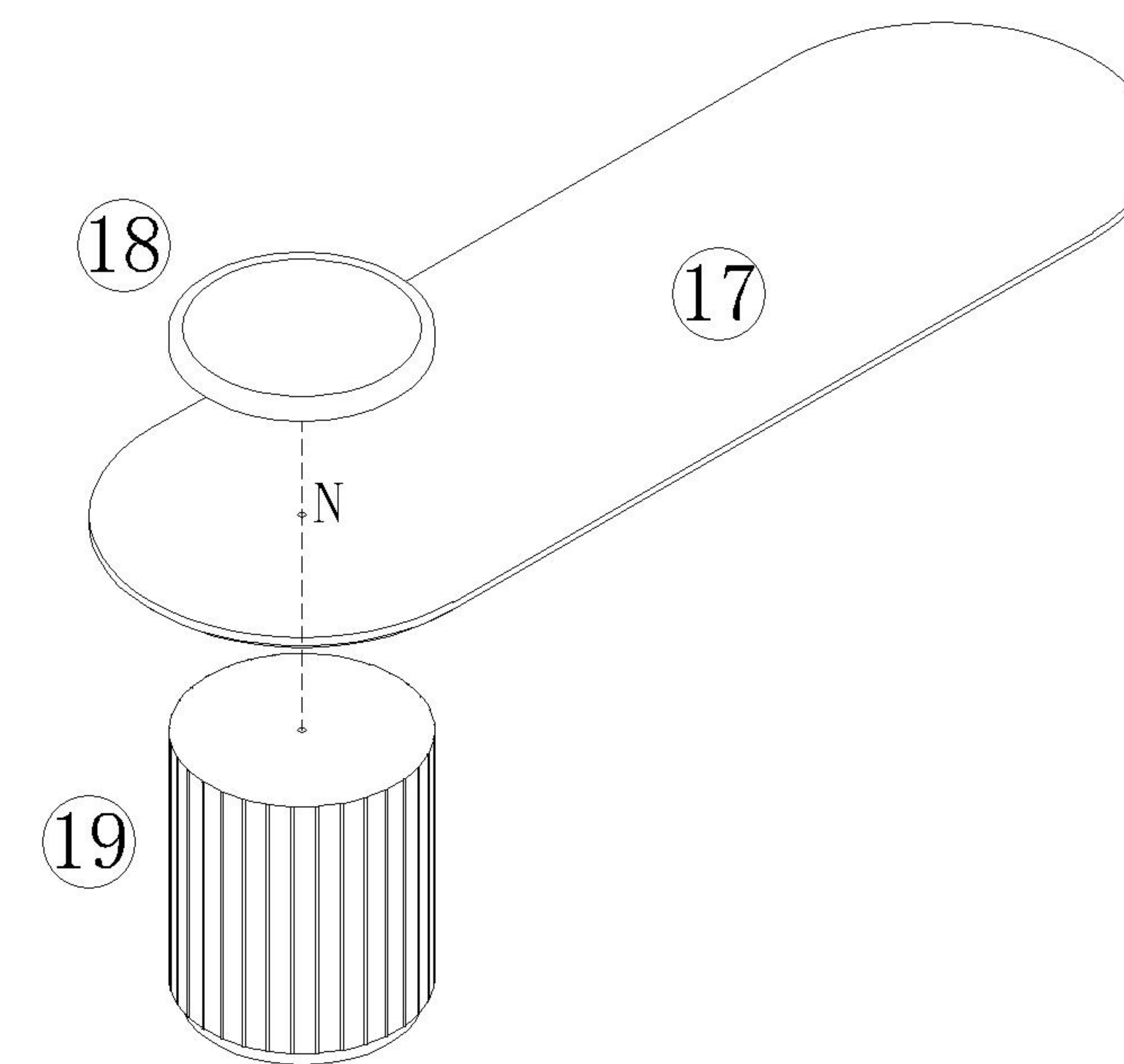
(K)*8



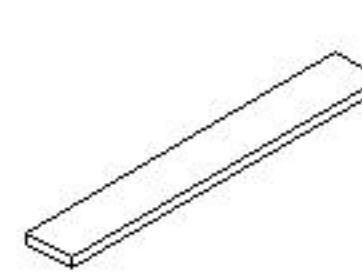
9



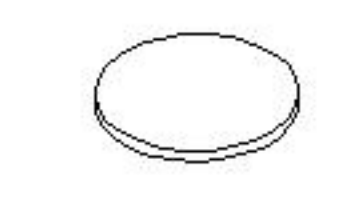
(N)*1



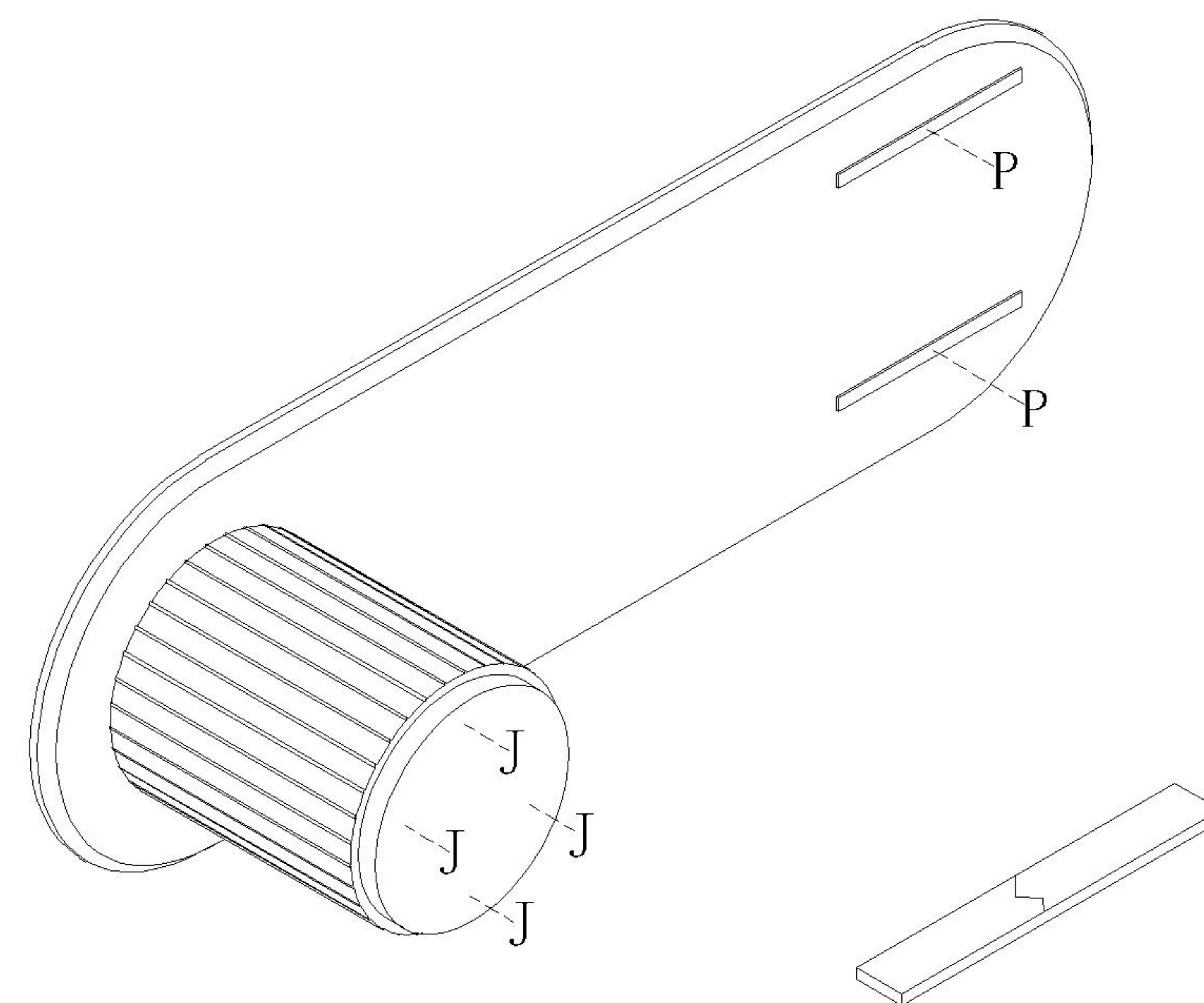
10



(P)*0.8M

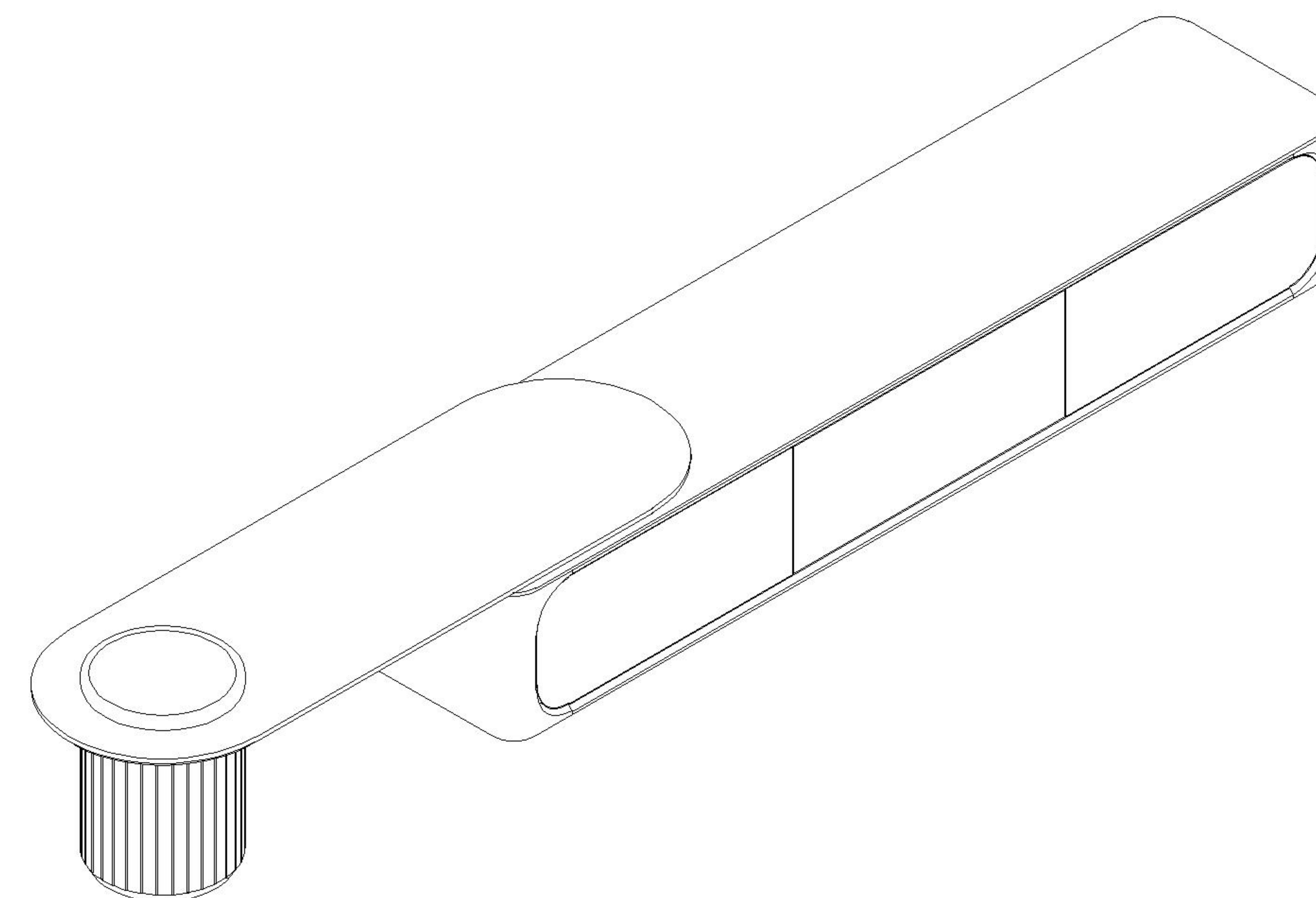


(J)*4



11

12



五金P剪成两段
Hardware P cut in two