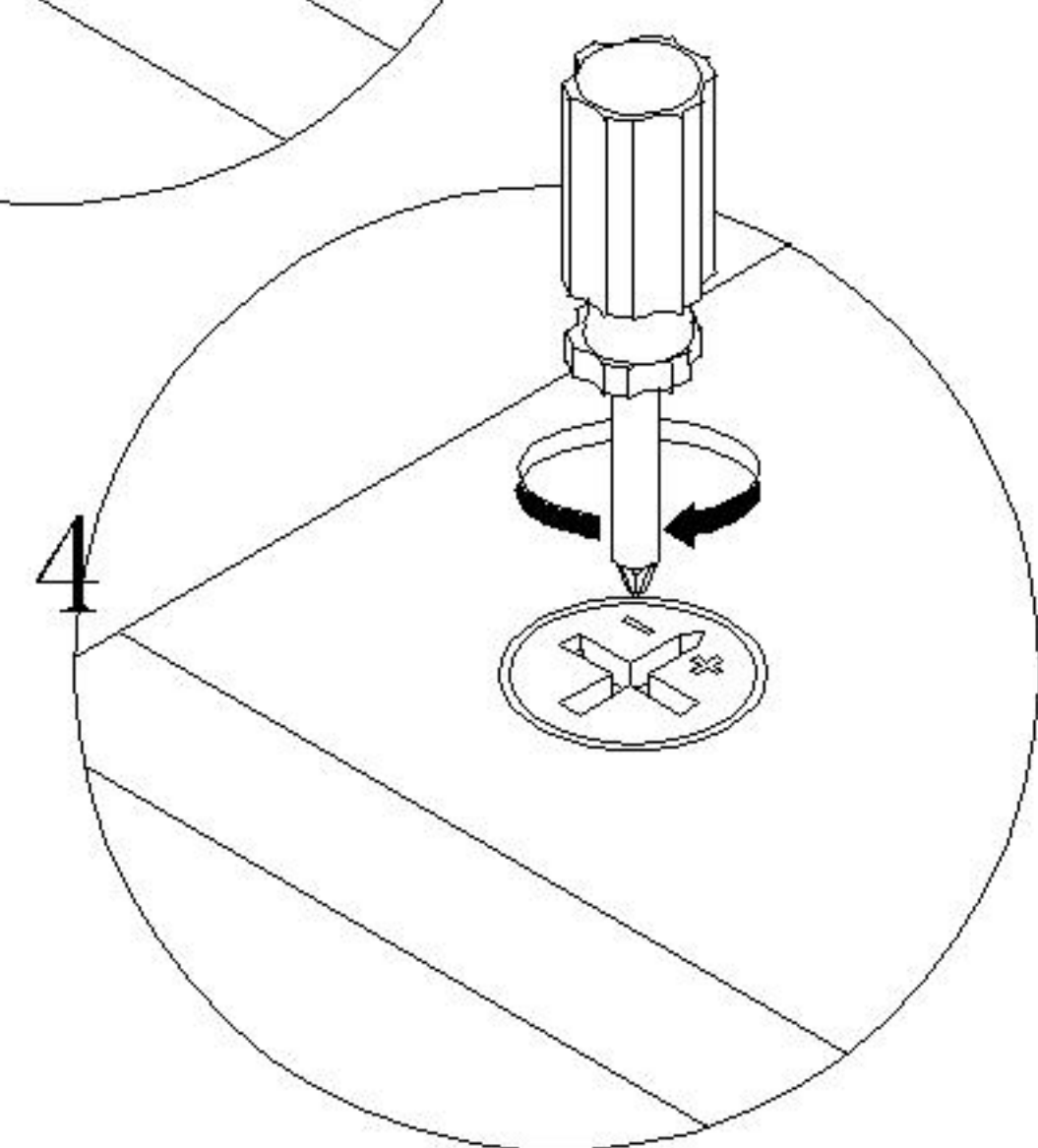
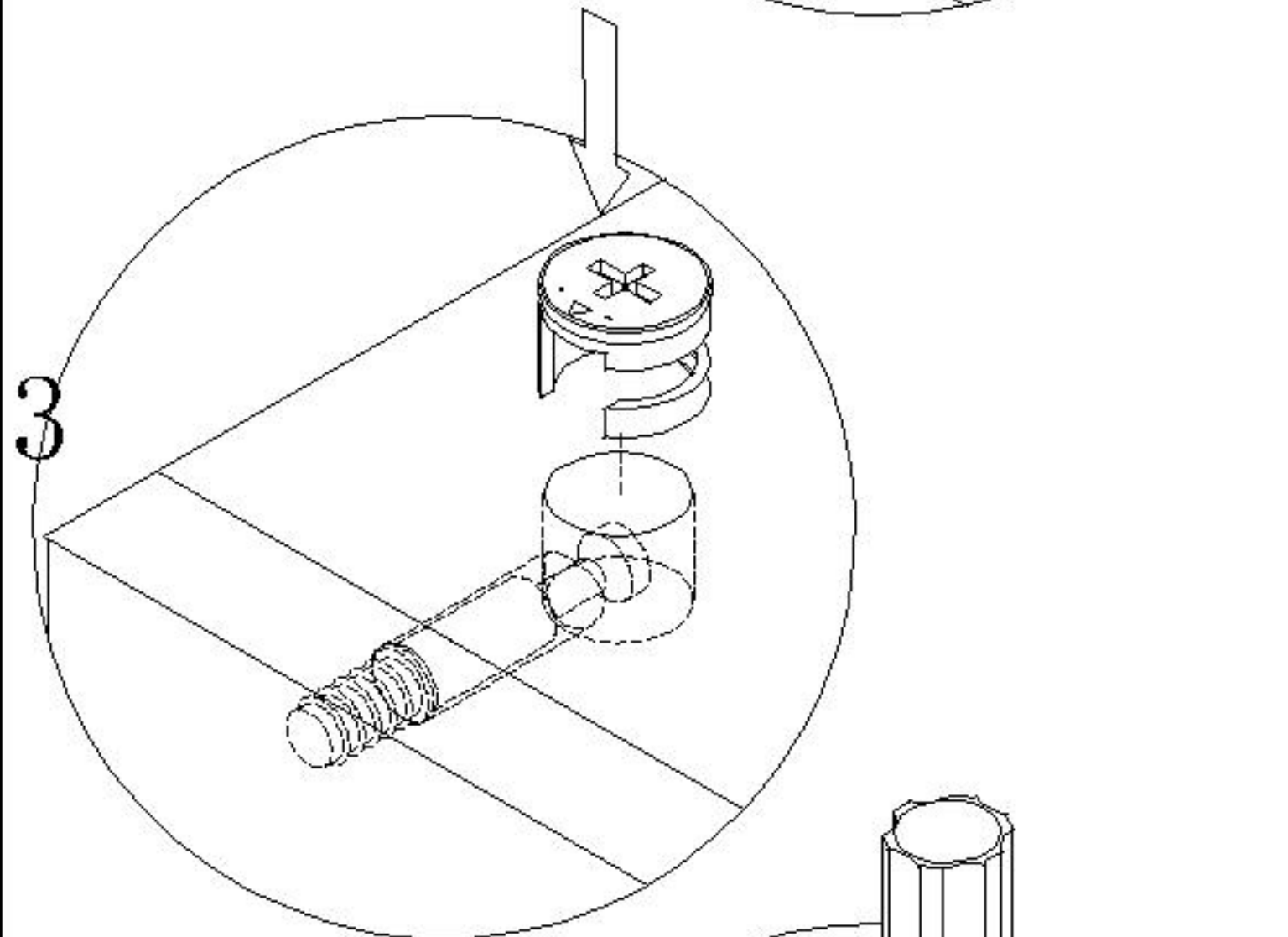
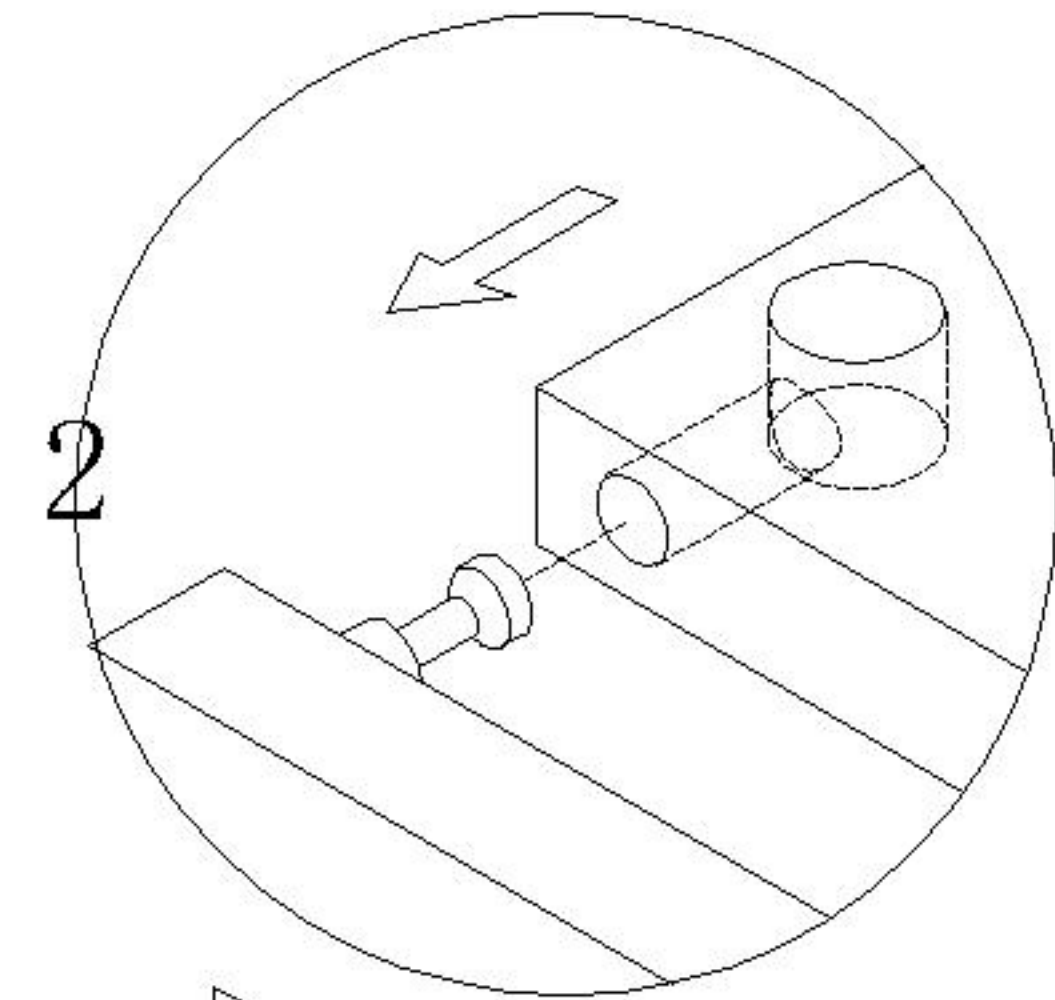
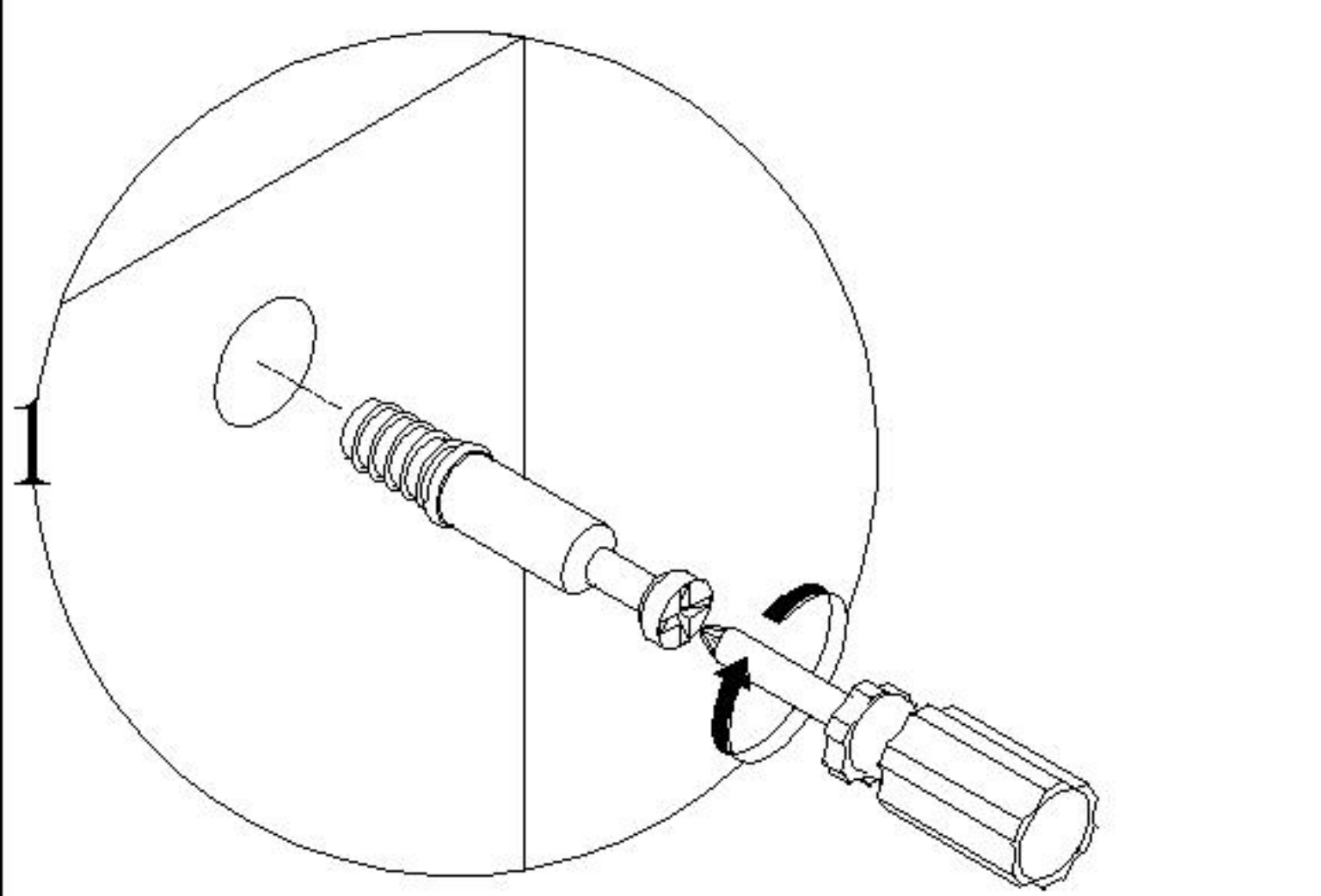
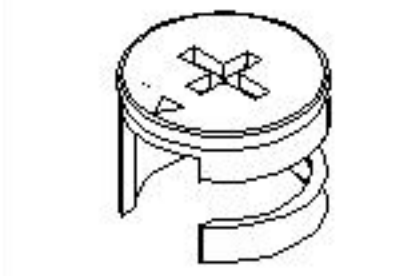


OW2L-B (1.0m)

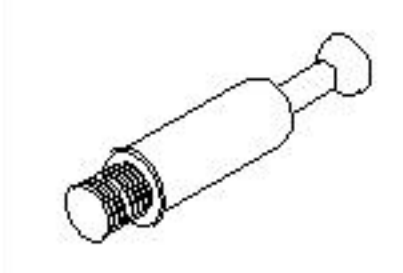
安装方法/
Installation method



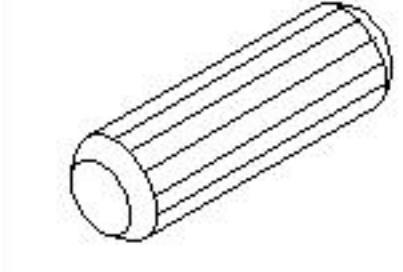
大二合一
two-in-one



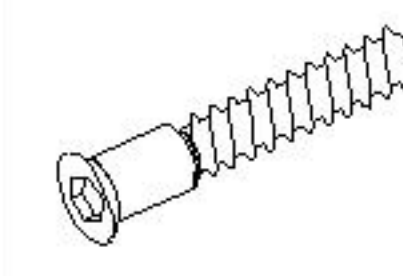
(C)*4



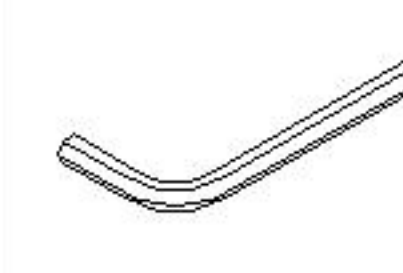
(D)*4



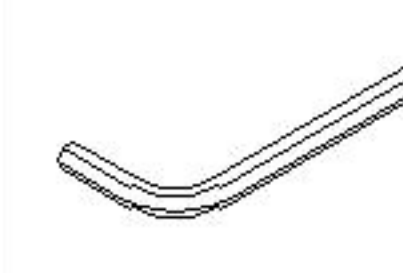
(E)*4



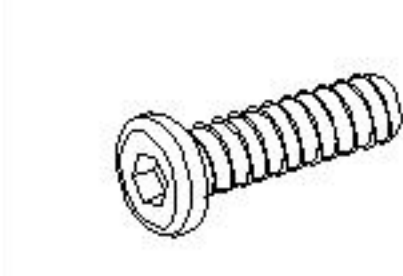
(F)*4



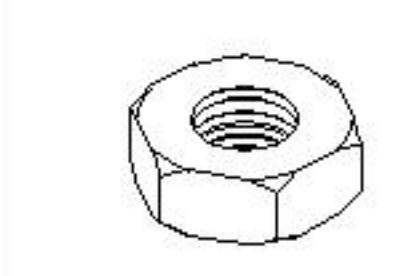
(G)*1



(G)*1



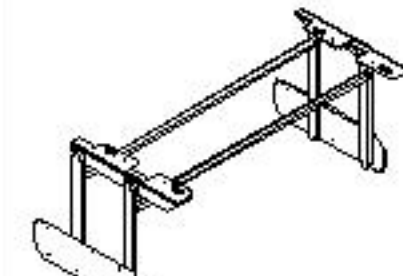
(I)*8



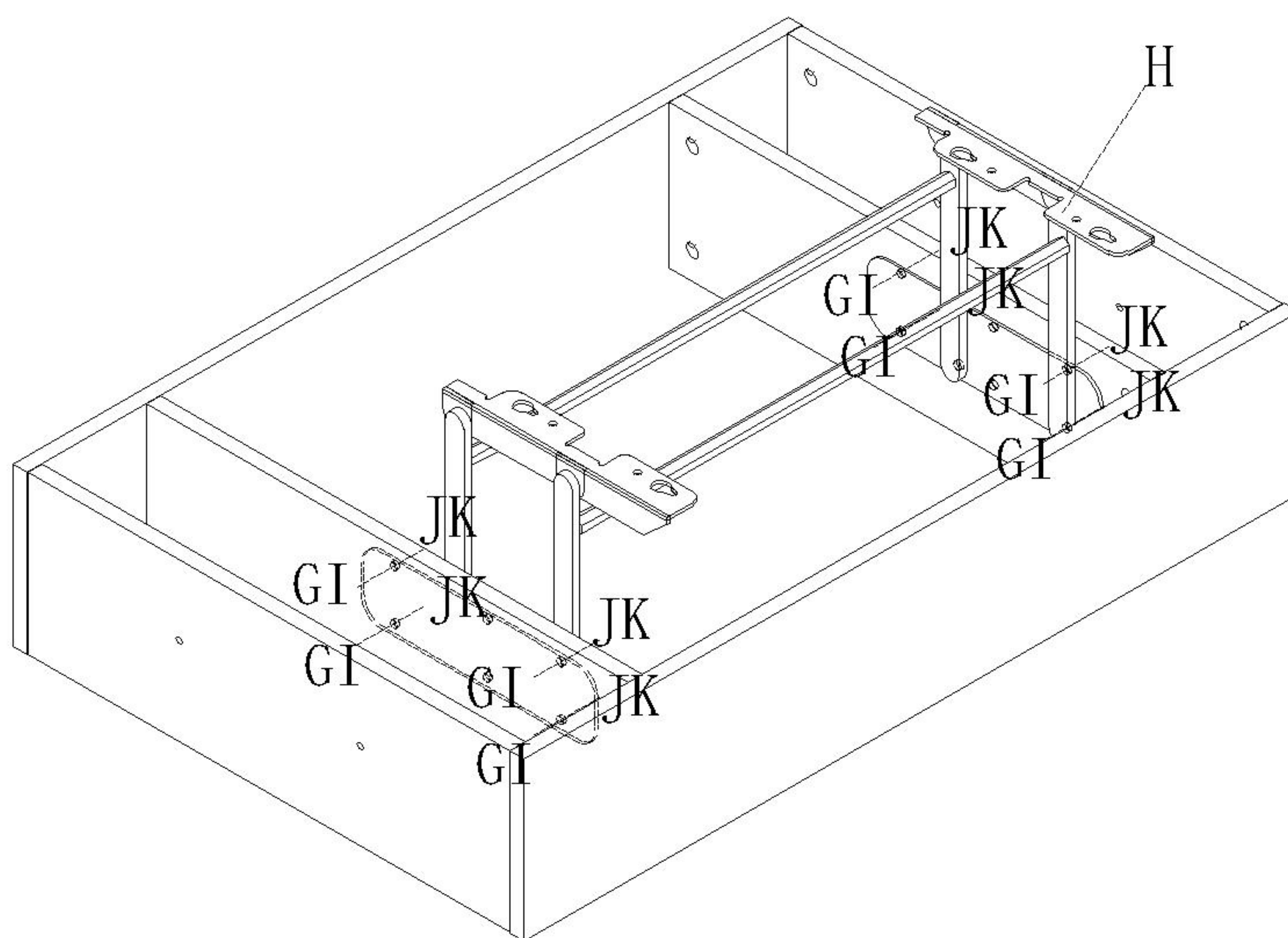
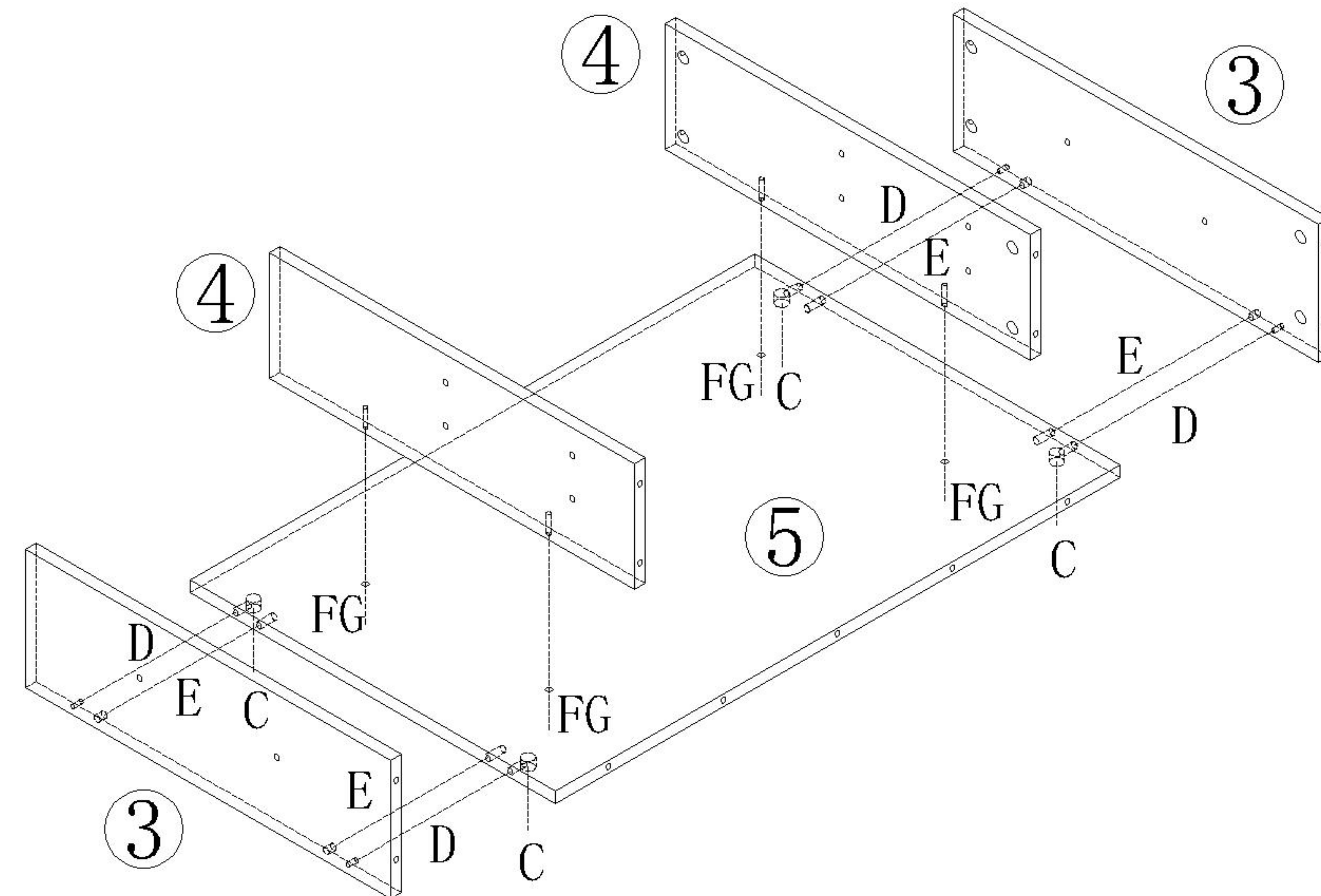
(J)*8



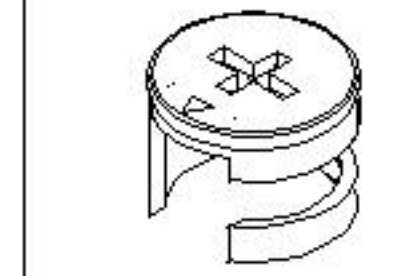
(K)*1



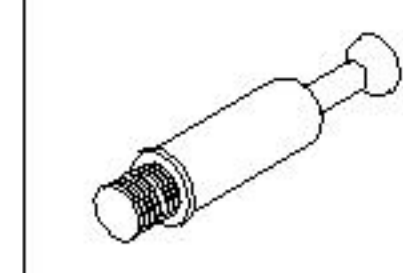
(H)*1



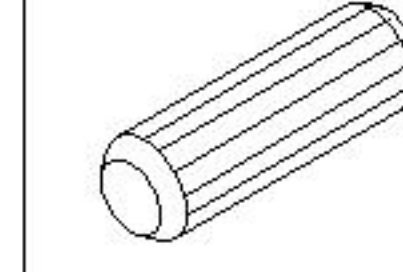
1



(C)*22

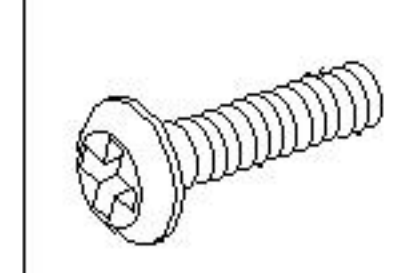


(D)*22

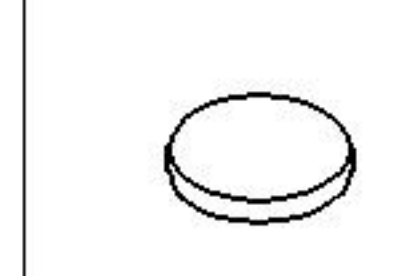


(E)*4

3

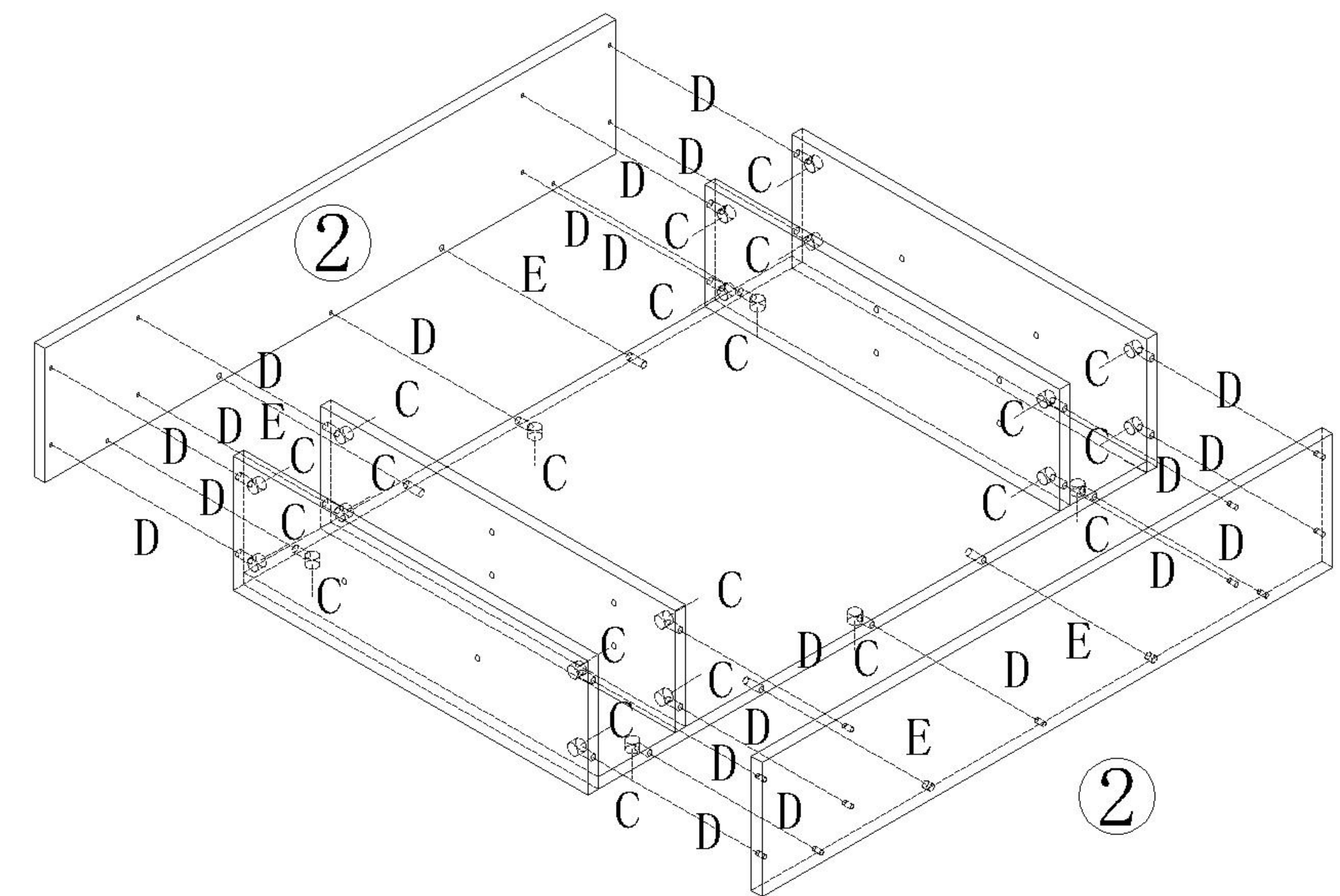


(A)*4

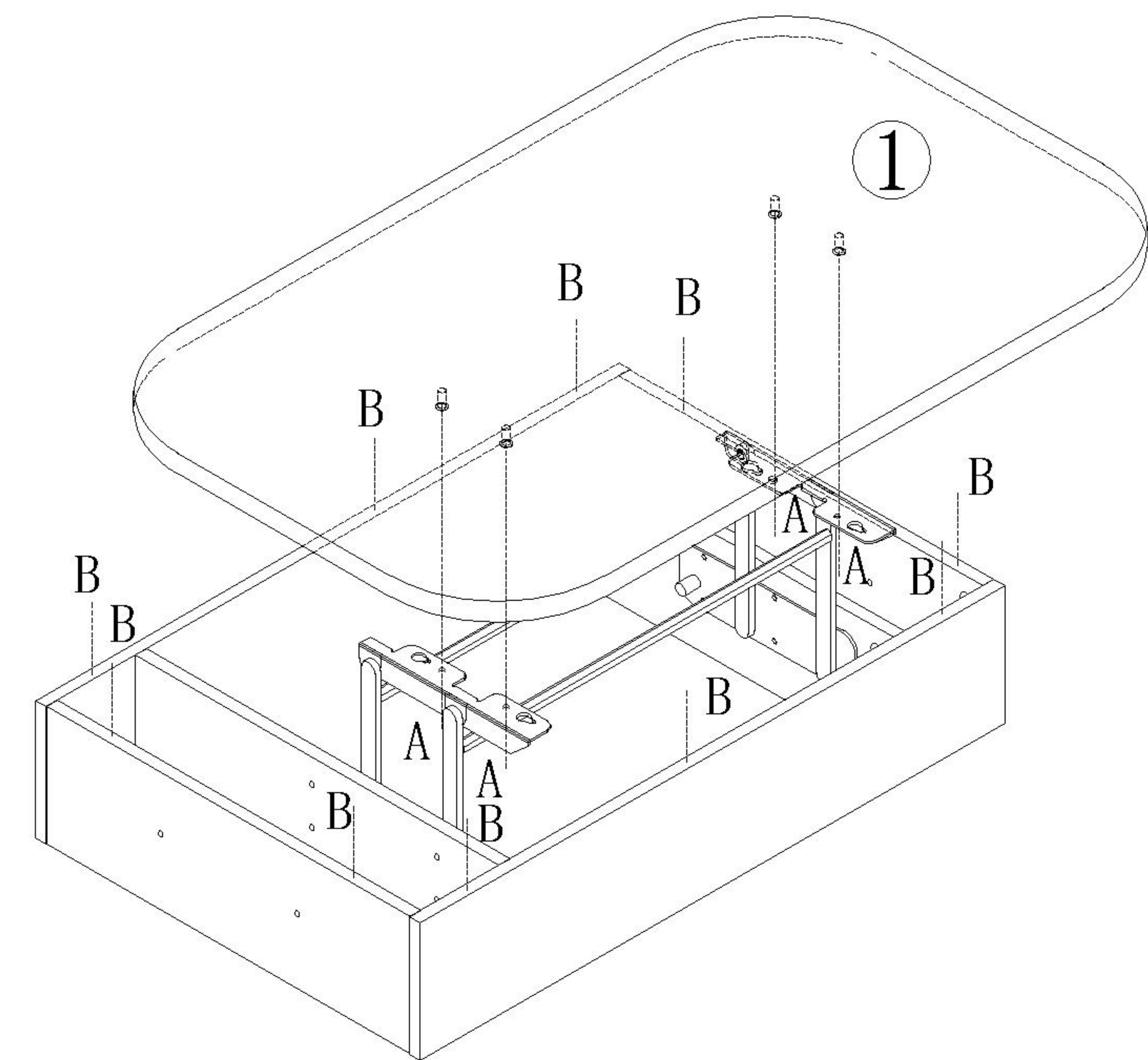


(B)*10

2

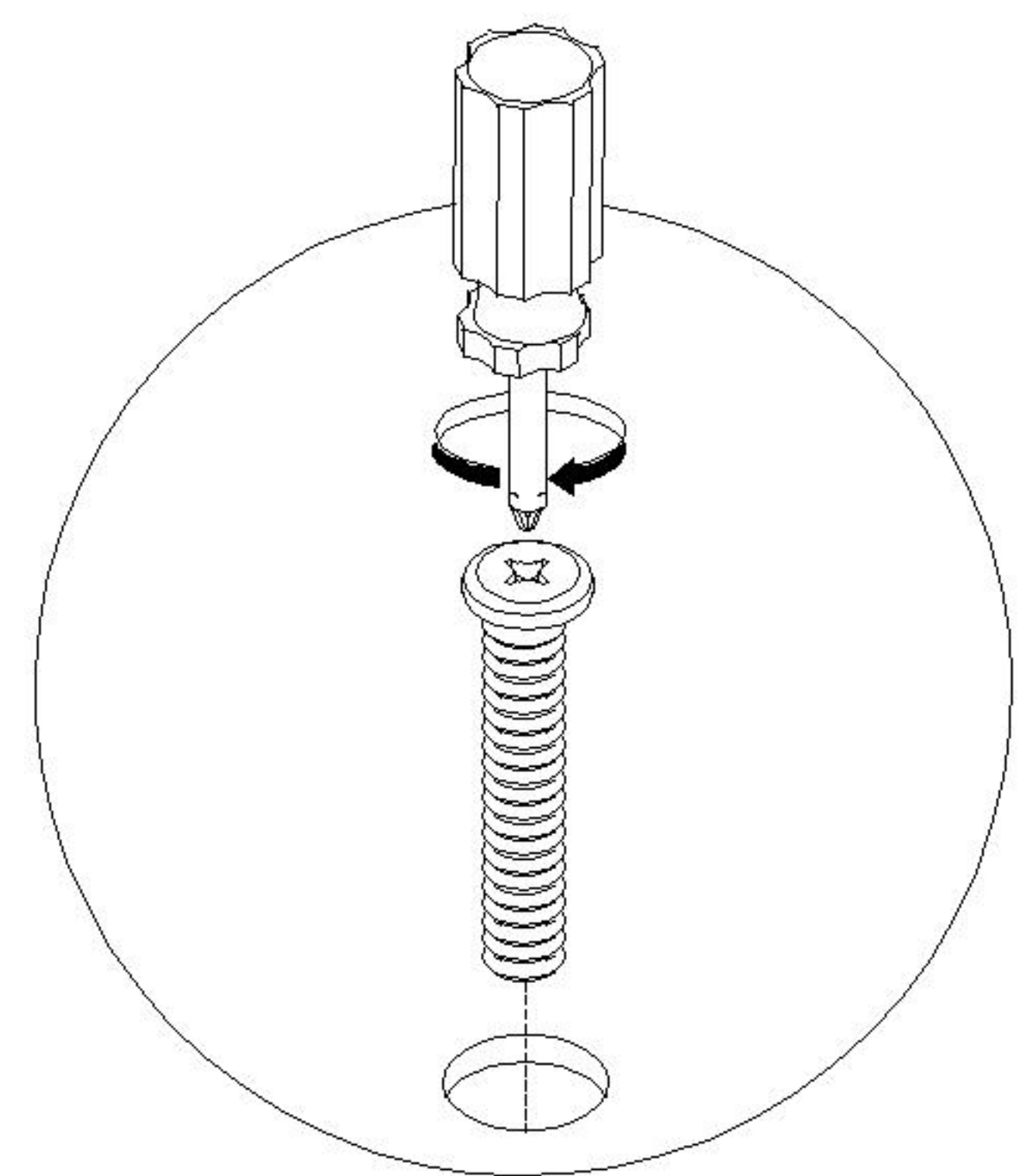


4



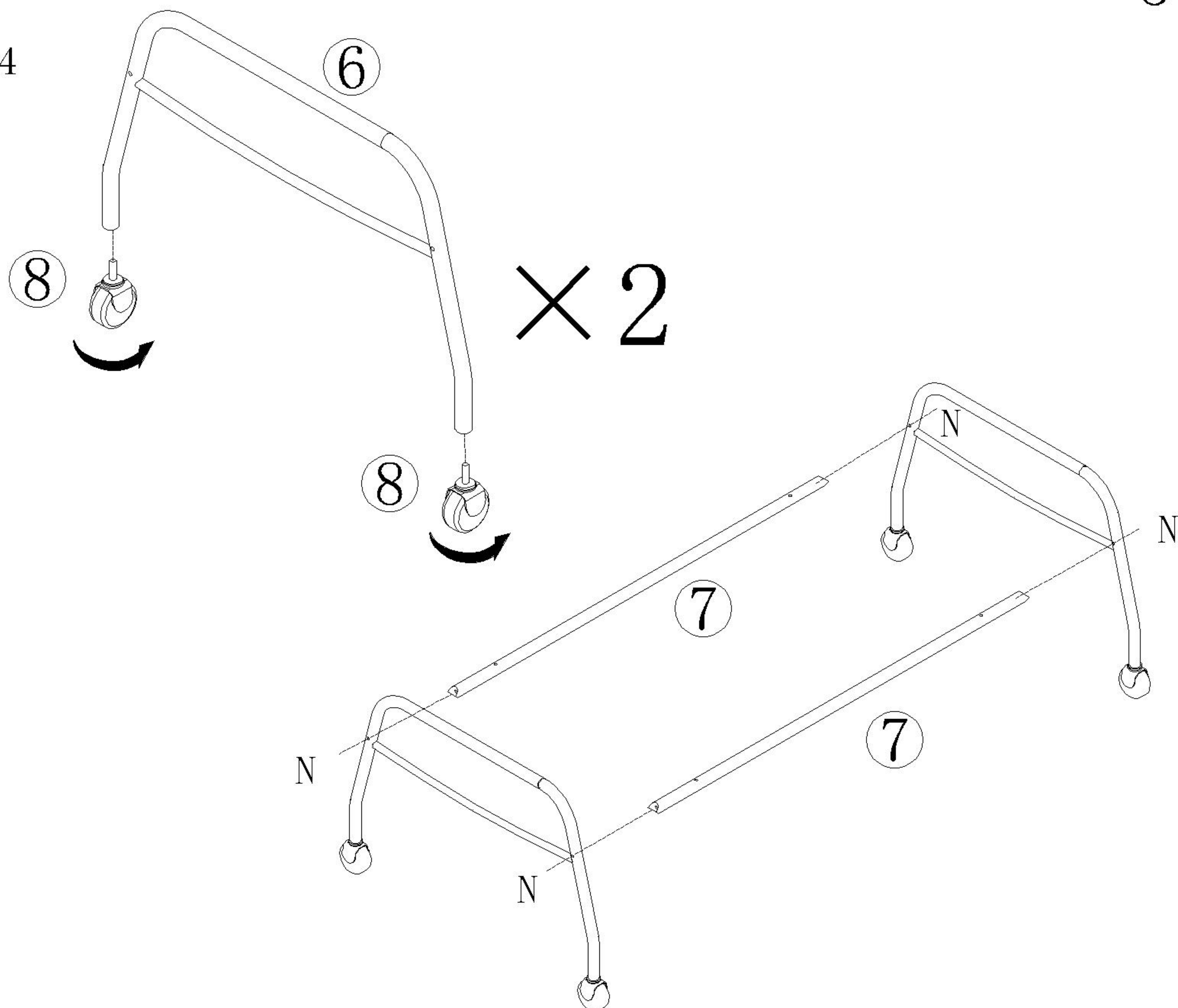
OW2L-B (1.0m)

安装方法/
Installation method



斜边十字螺杆
bevel cross screw

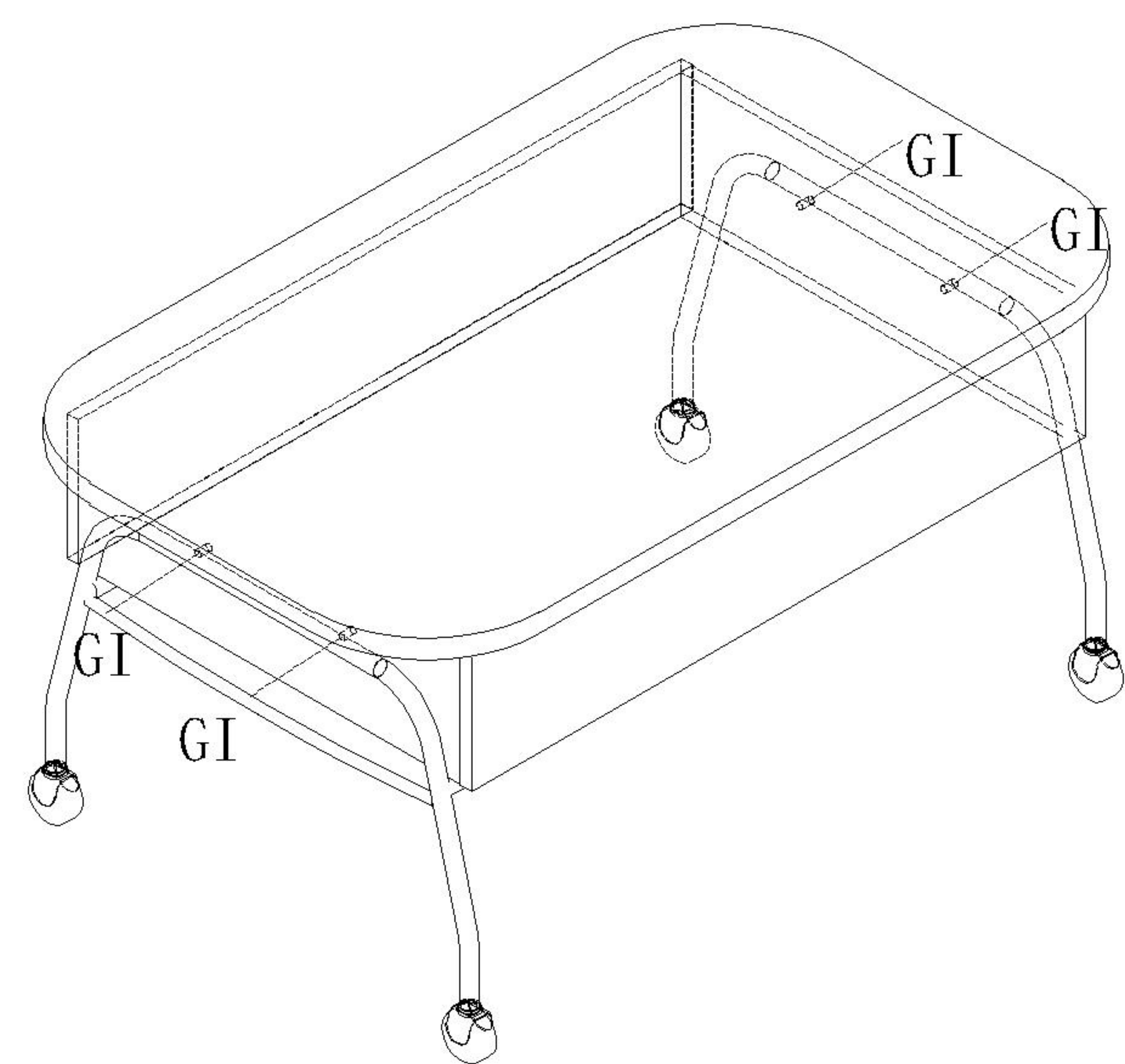
(N)*4



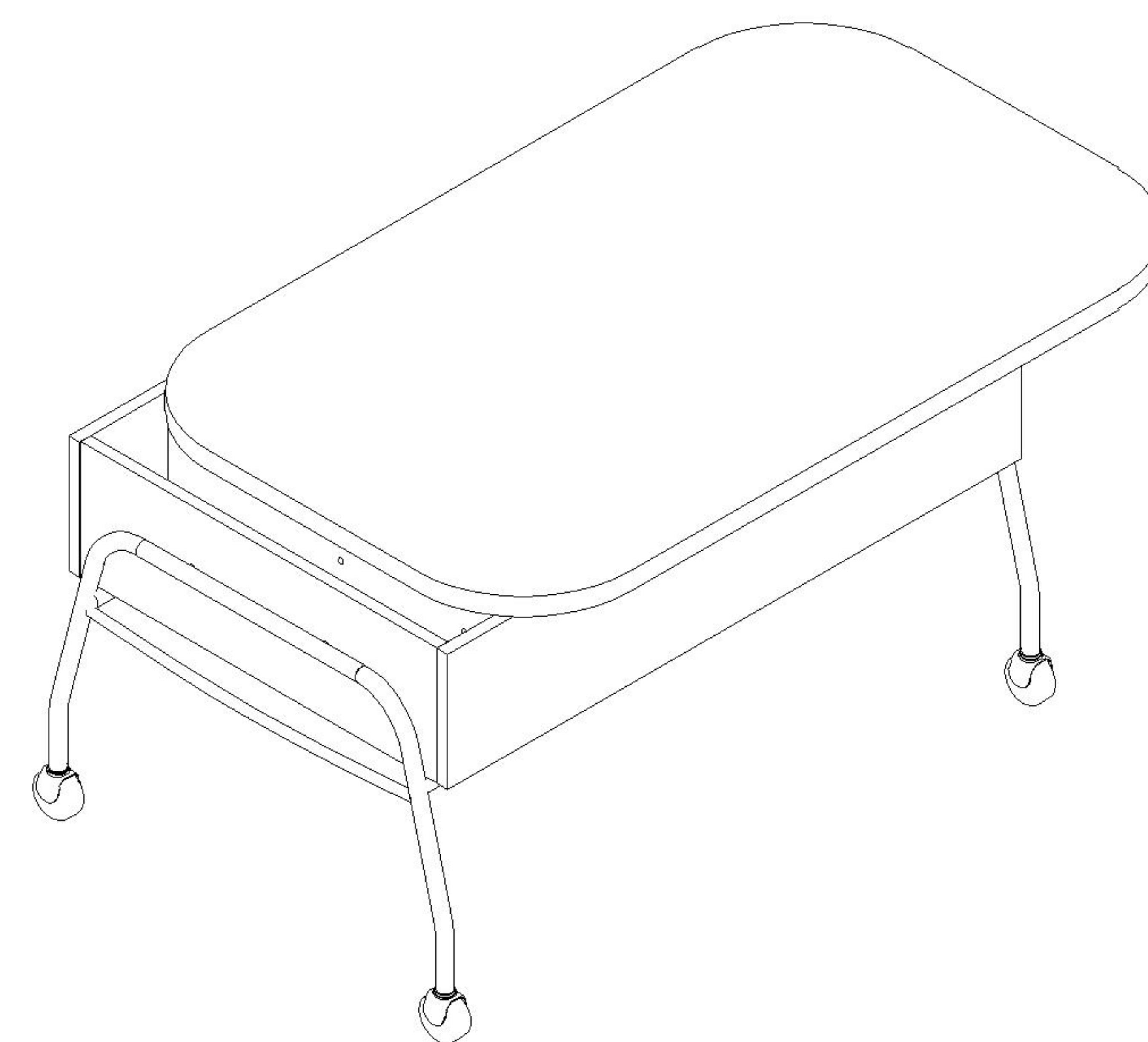
5

(G)*1

(I)*4



7



8

Installation is

▶ 安装完成
complete