

LINSY 林氏家居

安装示意图/Assembly Instruction

产品名称 Model NO. PS360-A#

产品规格 Specification 左单人+右三人+脚踏
Individual(L) + 3seat(R) + Pedal

尺寸组合 Combined size 2900*1800*920mm

成品部件明细 Finished Parts Details	编号 NO.	名称 Name	规格 Specification	数量 QTY	材质 Material
	1	左单人 Individual(L)	1050*1100*920mm	1	实木+夹板+海绵+皮革+真皮 Solid wood + Plywood + Sponge + Leather + Leather
	2	右三人 3seat(R)	1850*1100*920mm	1	实木+夹板+海绵+皮革+真皮 Solid wood + Plywood + Sponge + Leather + Leather
	3	脚踏 Pedal	780*700*440mm	1	实木+夹板+海绵+皮革+真皮 Solid wood + Plywood + Sponge + Leather + Leather

制图 Draw C16

配件表 Accessories list

编号 NO.	名称 Name	图示 Icon	数量 QTY	左单人 Individual(L)	右三人 3seat(R)	脚踏 Pedal
A	说明书(含安装图) Mounting Instruction (with drawing)		1	0	1	0
B	脚-(125*125*120mm)三叉五金脚-01 Feet - (125*125*120mm) three-pronged hardware feet-01		12	4	4	4
C	脚-(直径38*100-150mm)可调一字五金脚 Foot -(diameter 38*100-150mm) Adjustable metal foot		1	0	1	0
D	M8垫片 M8 pad		12	4	4	4
E	M5*30自攻螺丝 M5*30 self tapping screw		36	12	12	12

如何区分沙发的左右方向?
How to zone the left and right direction of the sofa?

(图示仅供分辨方向用/Picture are for orientation only)



安装人数
Installer



充电式手电钻Cordless hand drill
或者Or
十字螺丝刀Phillips screwdriver

客户安装前须知:

Customers need to know before installation:
此安装图为“左单人+右三人+脚踏”的位置关系。
This installation picture is "Individual(L) + 3seat(R) + Pedal"

2-1

左单人 Individual(L)

STEP 1:

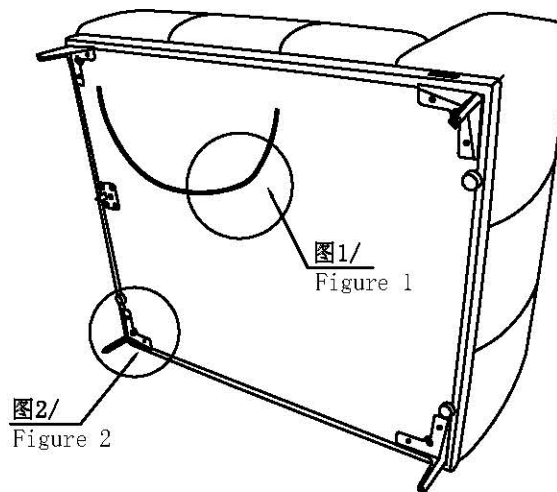


图1: 拉开拉链, 取出配件箱
Figure 1: Unzip the accessory case

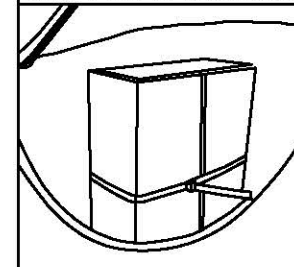
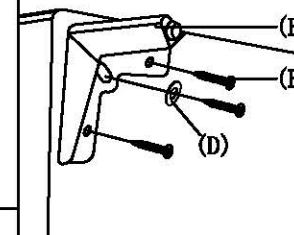


图2: 边脚安装示意图
Figure 2: Side foot installation diagram



右三人 3seat(R)

STEP 1:

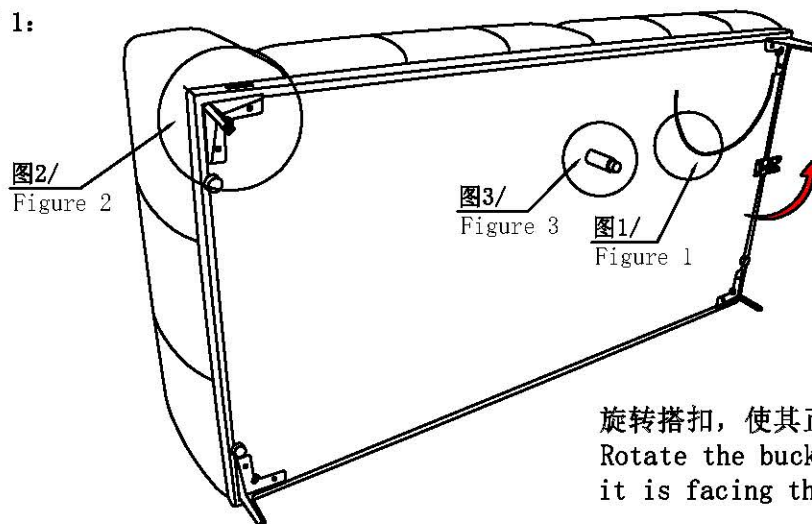
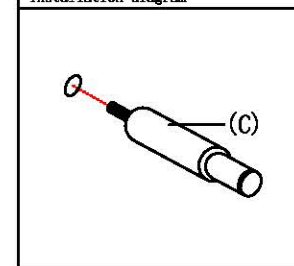
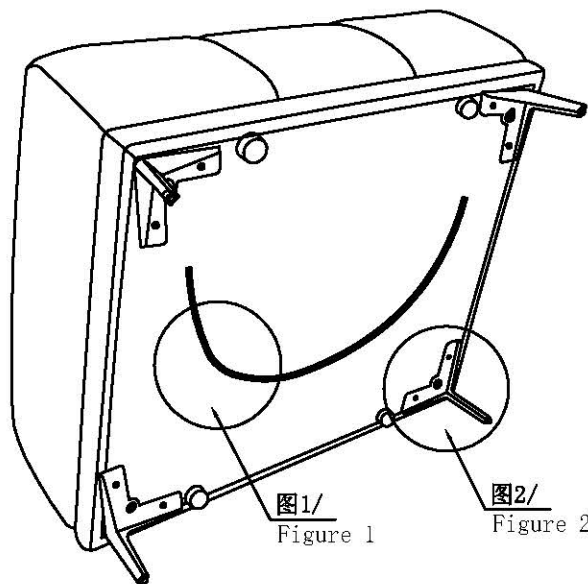


图3: 中脚安装示意图
Figure 3: Middle foot installation diagram



脚踏 Pedal

STEP 1:



2-2

图1: 拉开拉链, 取出配件箱
Figure 1: Unzip the accessory case

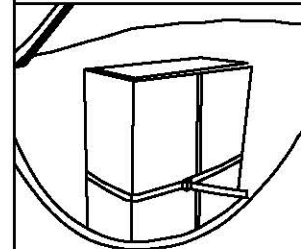
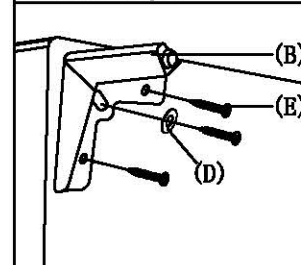
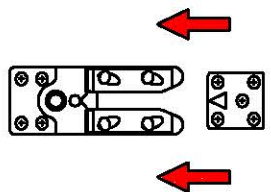
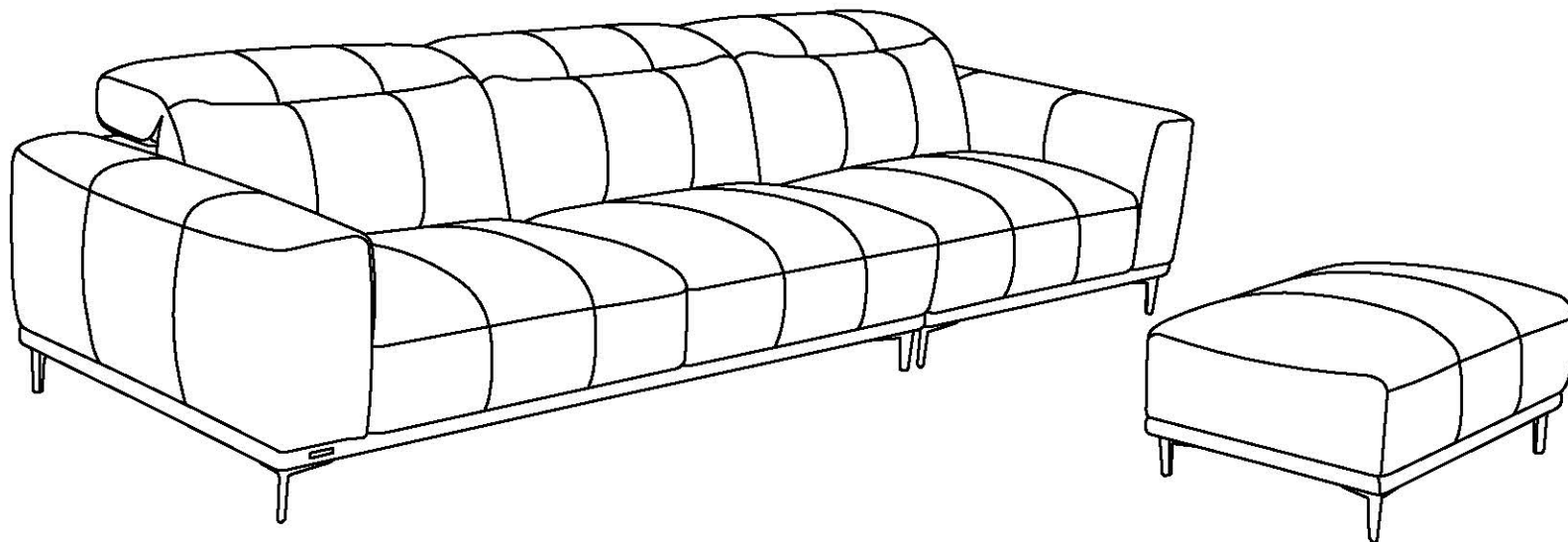


图2: 边脚安装示意图
Figure 2: Side foot installation diagram



组合图 Combination

左单人+右三人+脚踏 Individual (L) + 3seat (R) + Pedal



按搭扣位置, 放好沙发后, 推紧沙发。
Press the buckle position, put the sofa in place, push the sofa tight.