





# LINSY 林氏家居

## 安装示意图/Assembly Instruction

产品名称 Model NO.	PS360-A#				
产品规格 Specification	左双人+右双人+脚踏 Loveseat(L) + Loveseat(R) + Pedal				
尺寸组合 Combined size	2610*1800*920mm				
成品 部件明细  Finished Parts Details	编号 NO.	名称 Name	规格 Specification	数量 QTY	材质 Material
	1	左双人 Loveseat(L)	1305*1100*920mm	1	实木,夹板,海绵,皮革,真皮 Solid wood + Plywood + Sponge + Leather + Leather
	2	右双人 Loveseat(R)	1305*1100*920mm	1	实木,夹板,海绵,皮革,真皮 Solid wood + Plywood + Sponge + Leather + Leather
	3	脚踏 Pedal	780*700*440mm	1	实木,夹板,海绵,皮革,真皮 Solid wood + Plywood + Sponge + Leather + Leather


制图 Draw C16

### 配件表 Accessories list

编号 NO.	名称 Name	图示 Icon	数量 QTY	左双人 Loveseat(L)	右双人 Loveseat(R)	脚踏 Pedal
A	说明书(含安装图) Mounting Instruction (with drawing)		1	1	0	0
B	脚 - (125*125*120mm) 三叉五金脚-01 Feet - (125*125*120mm) three-pronged hardware feet-01		12	4	4	4
C	M5*30 自攻螺丝 M5*30 self tapping screw		36	12	12	12
D	MR垫片 MR pad		12	4	4	4

如何区分沙发的左右方向?  
How to zone the left and right direction of the sofa?

(图示仅供分辨方向用/Picture are for orientation only)



人坐在沙发, 贵妃在左边  
Sitting on sofa with imperial concubine on the left

左贵妃 Left

右贵妃 Right

人坐在沙发, 贵妃在右边  
Sitting on sofa with imperial concubine on the right

安装人数  
Installer




充电式手电钻 Cordless hand drill

或者 Or



十字螺丝刀 Phillips screwdriver

客户安装前须知:

Customers need to know before installation:

此安装图为“左双人+右双人+脚踏”的位置关系。  
This installation picture is "Loveseat(L) + Loveseat(R) + Pedal"

2-1

### 左双人 Loveseat(L)

STEP 1:

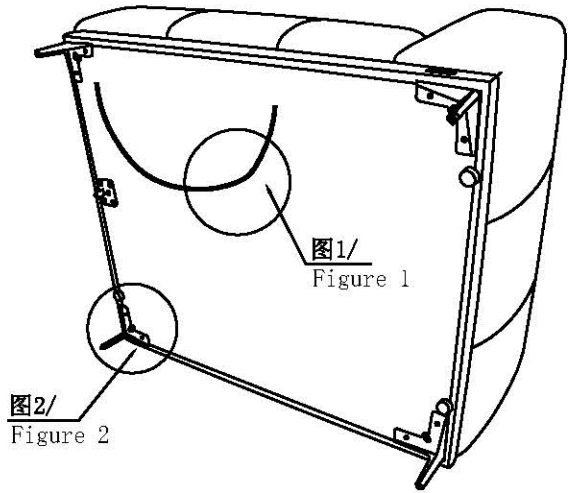


图1: 拉开拉链, 取出配件箱  
Figure 1: Unzip the accessory case

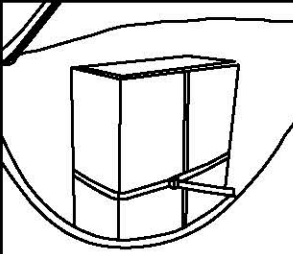
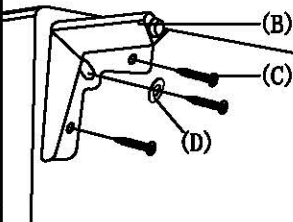
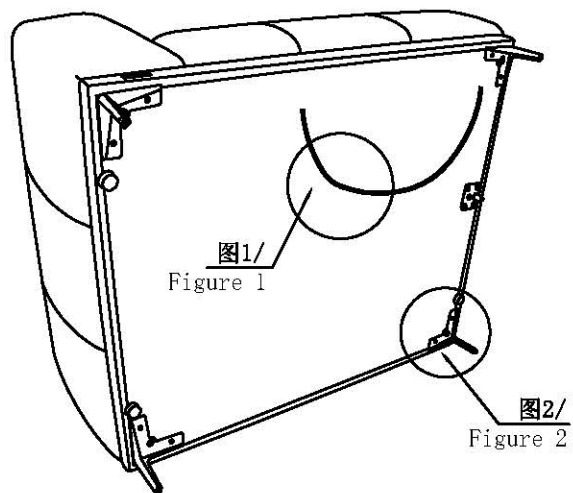


图2: 边脚安装示意图  
Figure 2: Side foot installation diagram



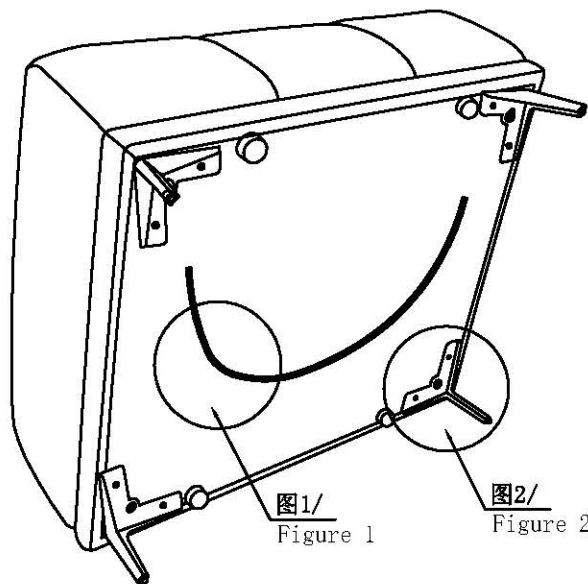
### 右双人 Loveseat(R)

STEP 1:



# 脚踏 Pedal

STEP 1:



2-2

图1: 拉开拉链, 取出配件箱  
Figure 1: Unzip the accessory case

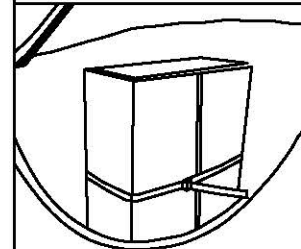
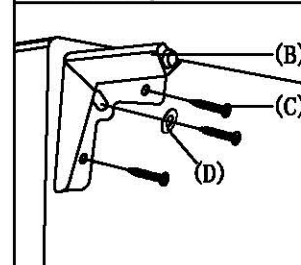
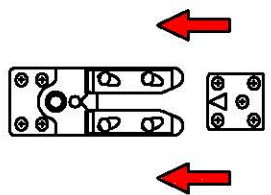
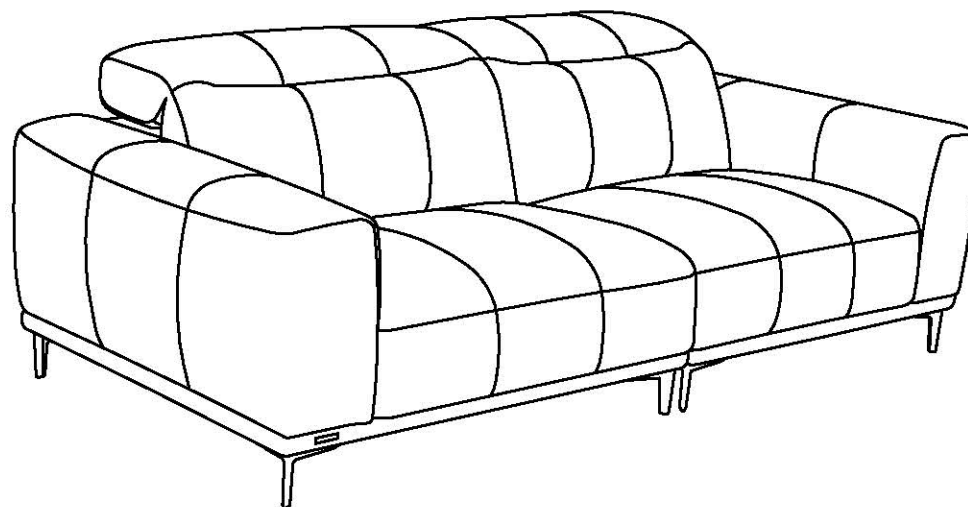


图2: 边脚安装示意图  
Figure 2: Side foot installation diagram



## 组合图 Combination

左双人+右双人+脚踏 Loveseat (L) + Loveseat (R) + Pedal



按搭扣位置, 放好沙发后, 推紧沙发。  
Press the buckle position, put the sofa in place, push the sofa tight.