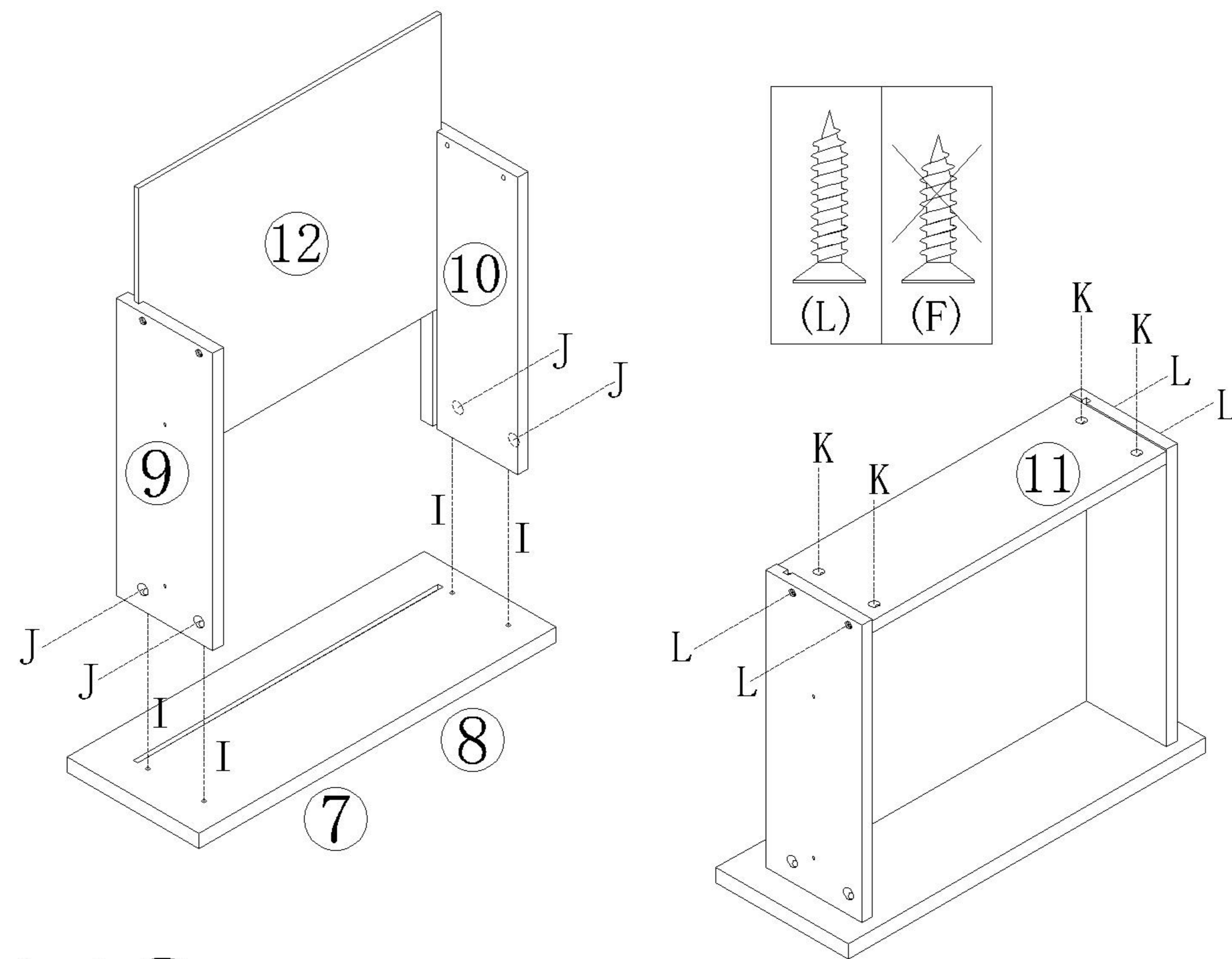


OW1L-A (1.0m)

安装方法/
Installation method

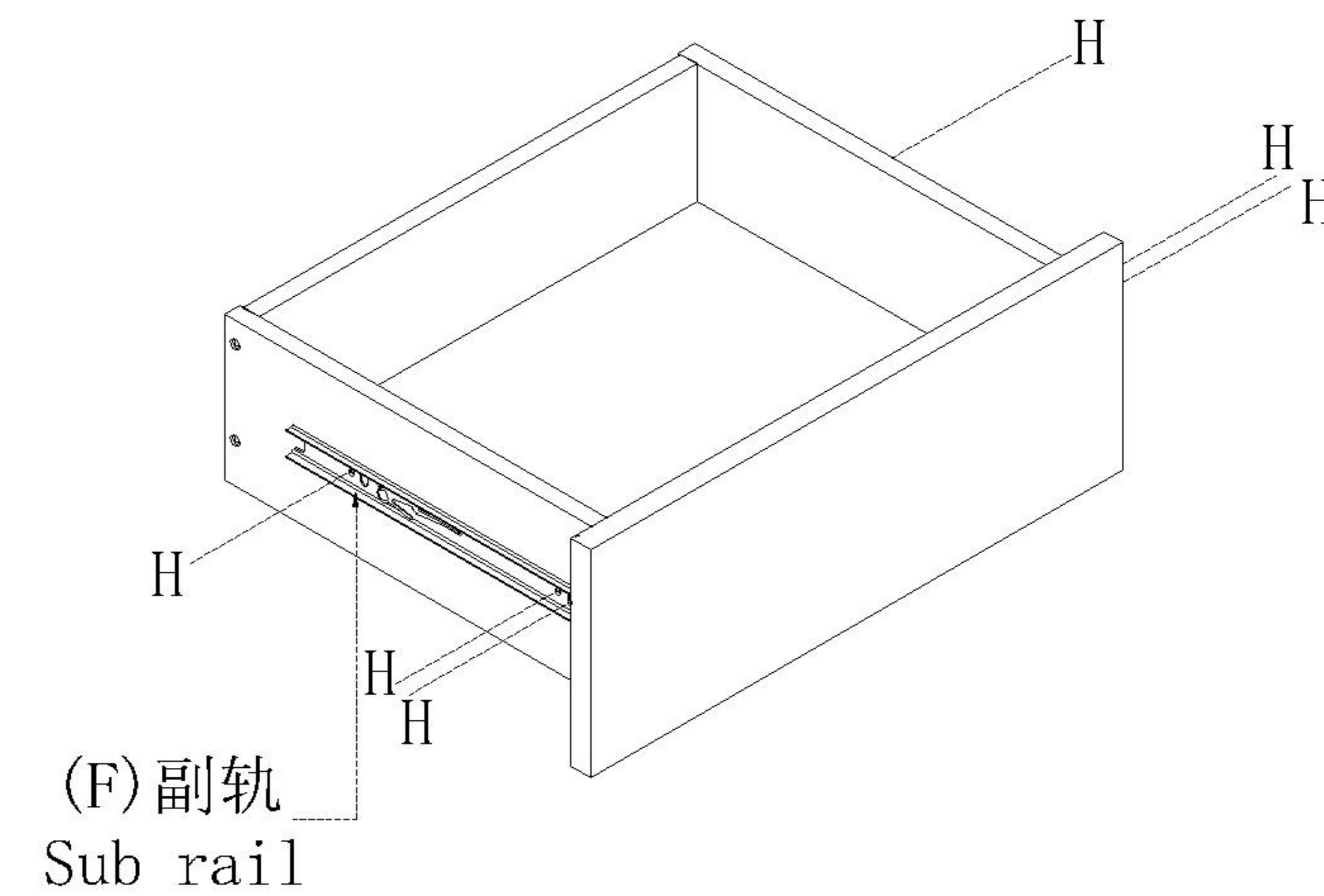
- (I)*8
- (J)*8
- (K)*8
- (L)*8



× 2

1

- (H)*12
- (F)*2

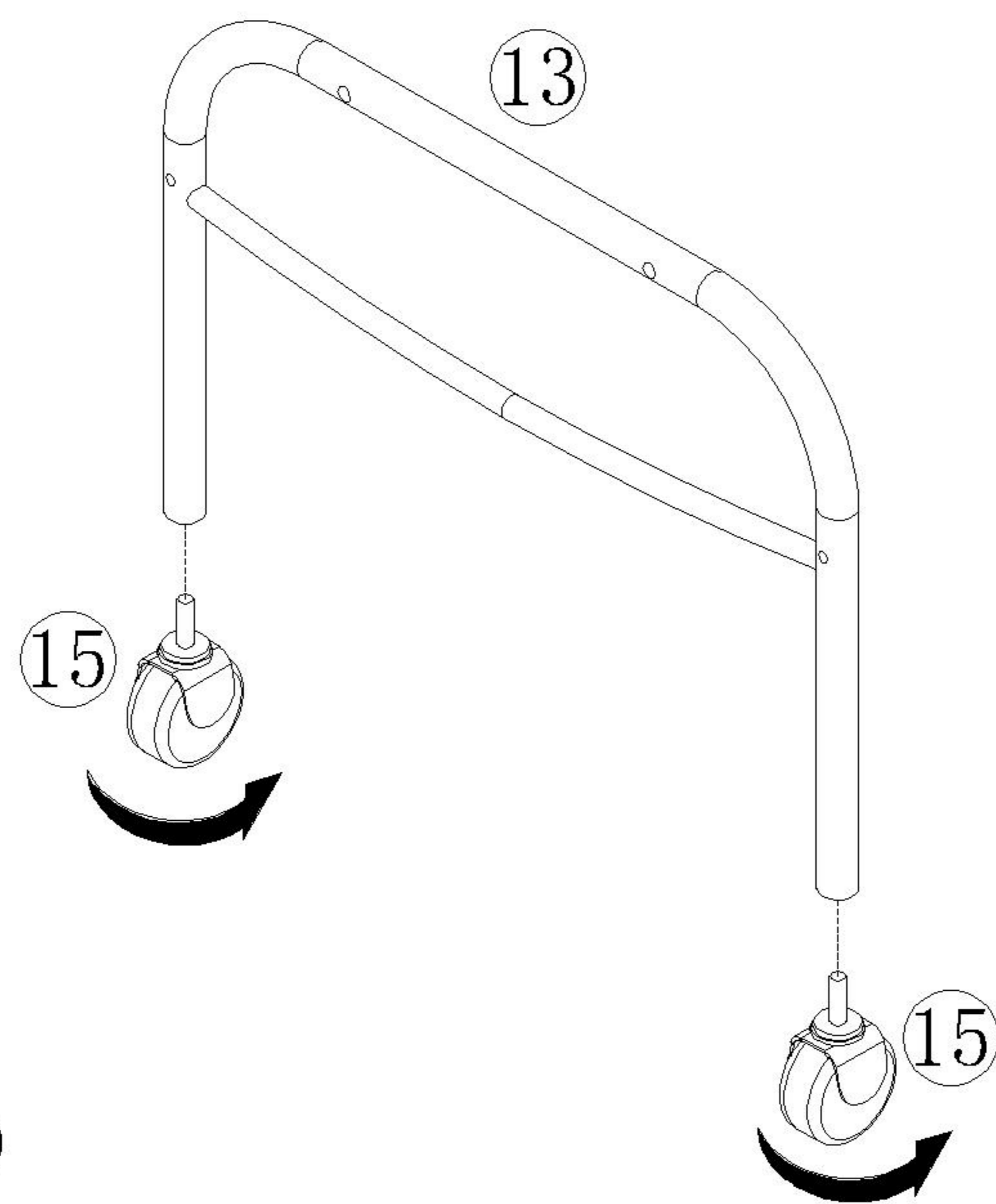


× 2

2

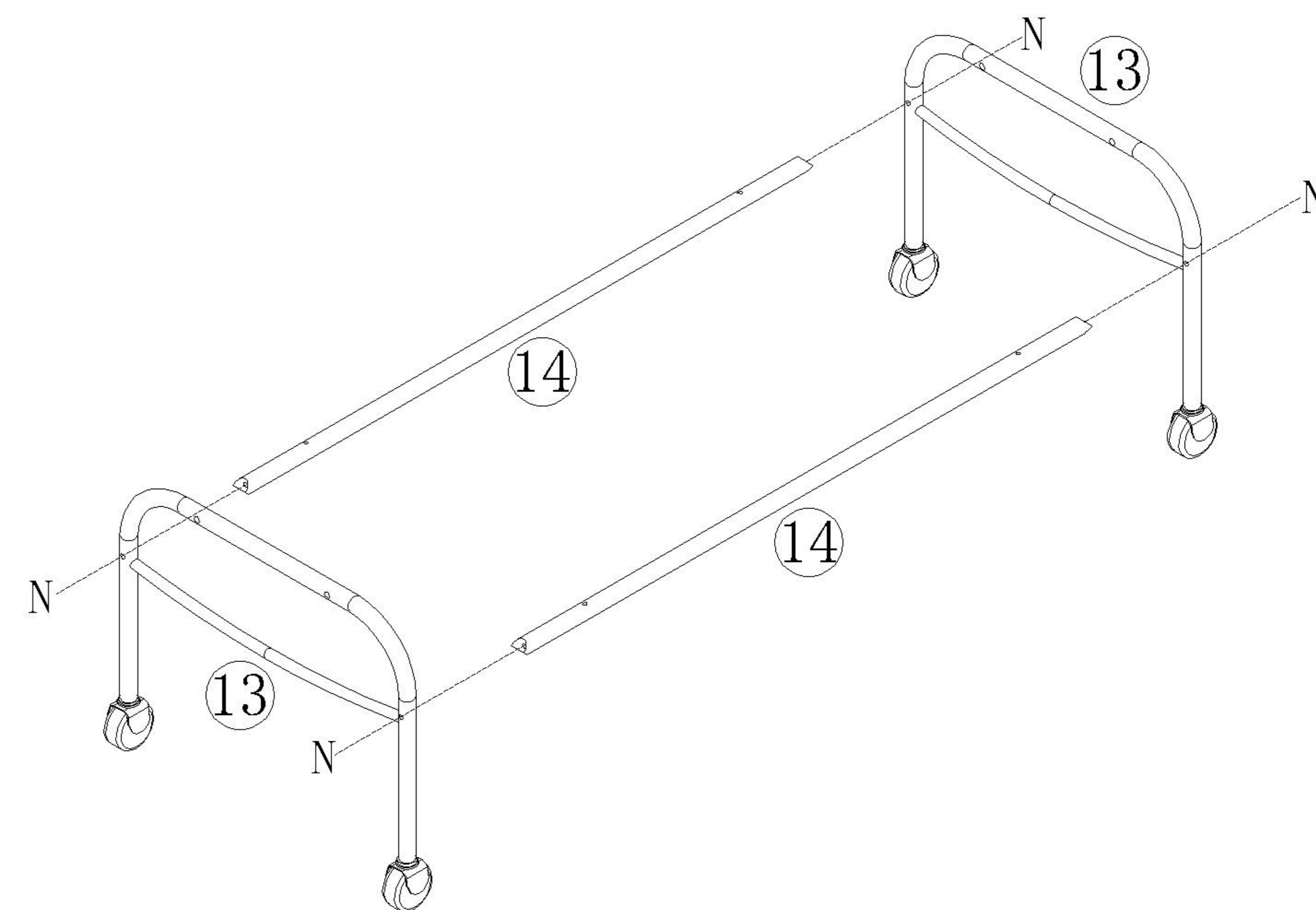
3

- (N)*4



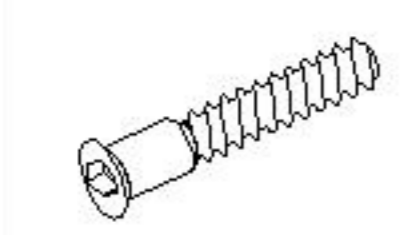
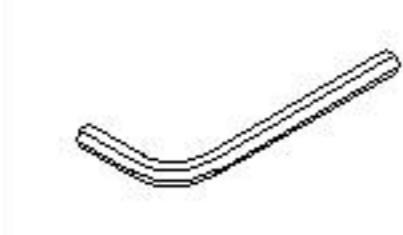
× 2

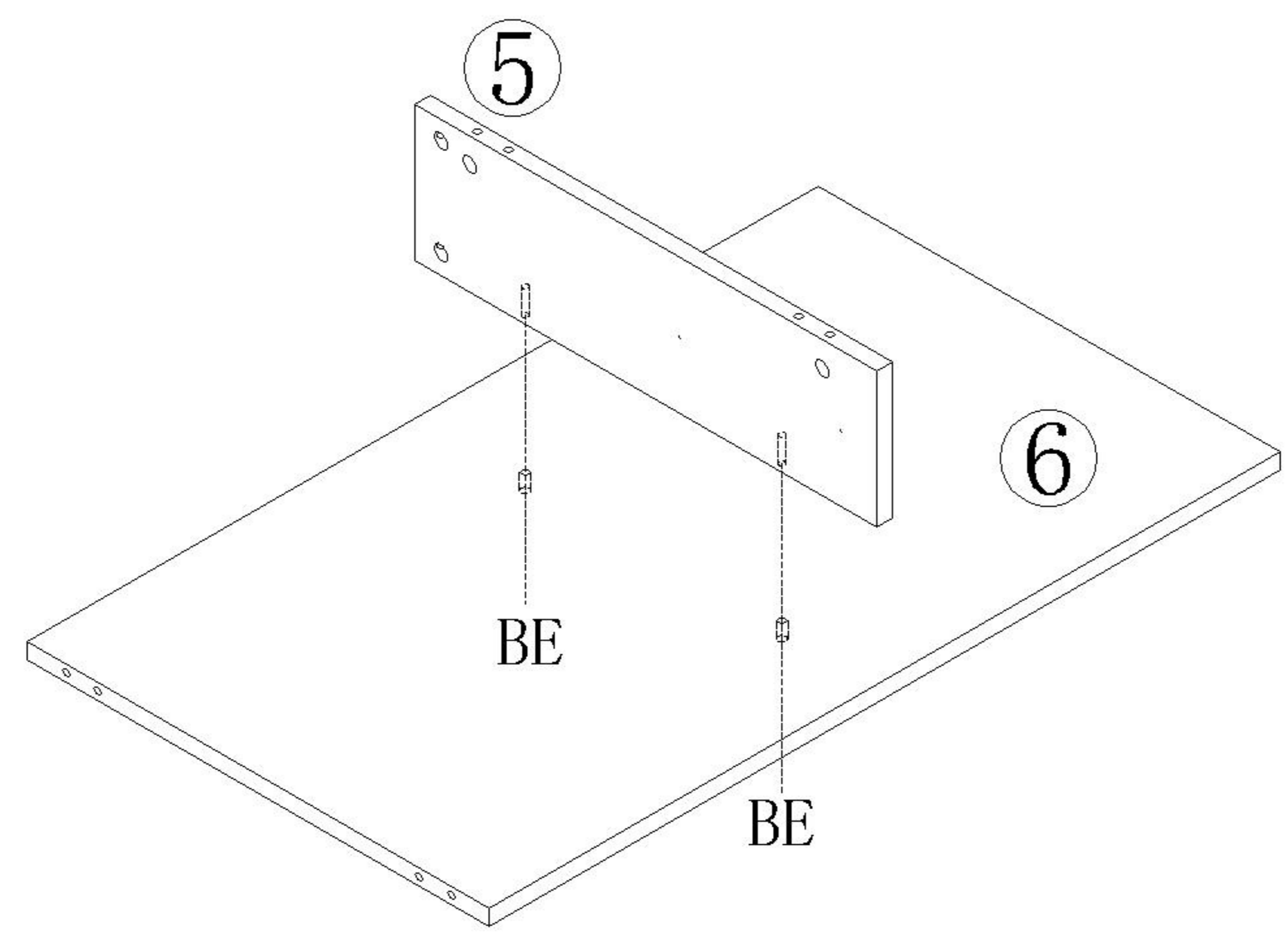
4



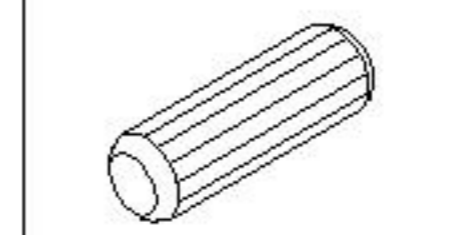
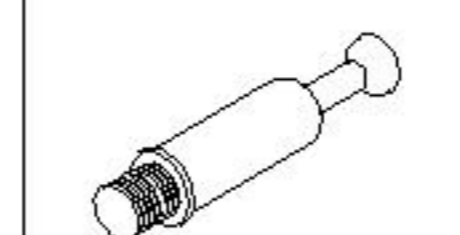

OW1L-A (1.0m)

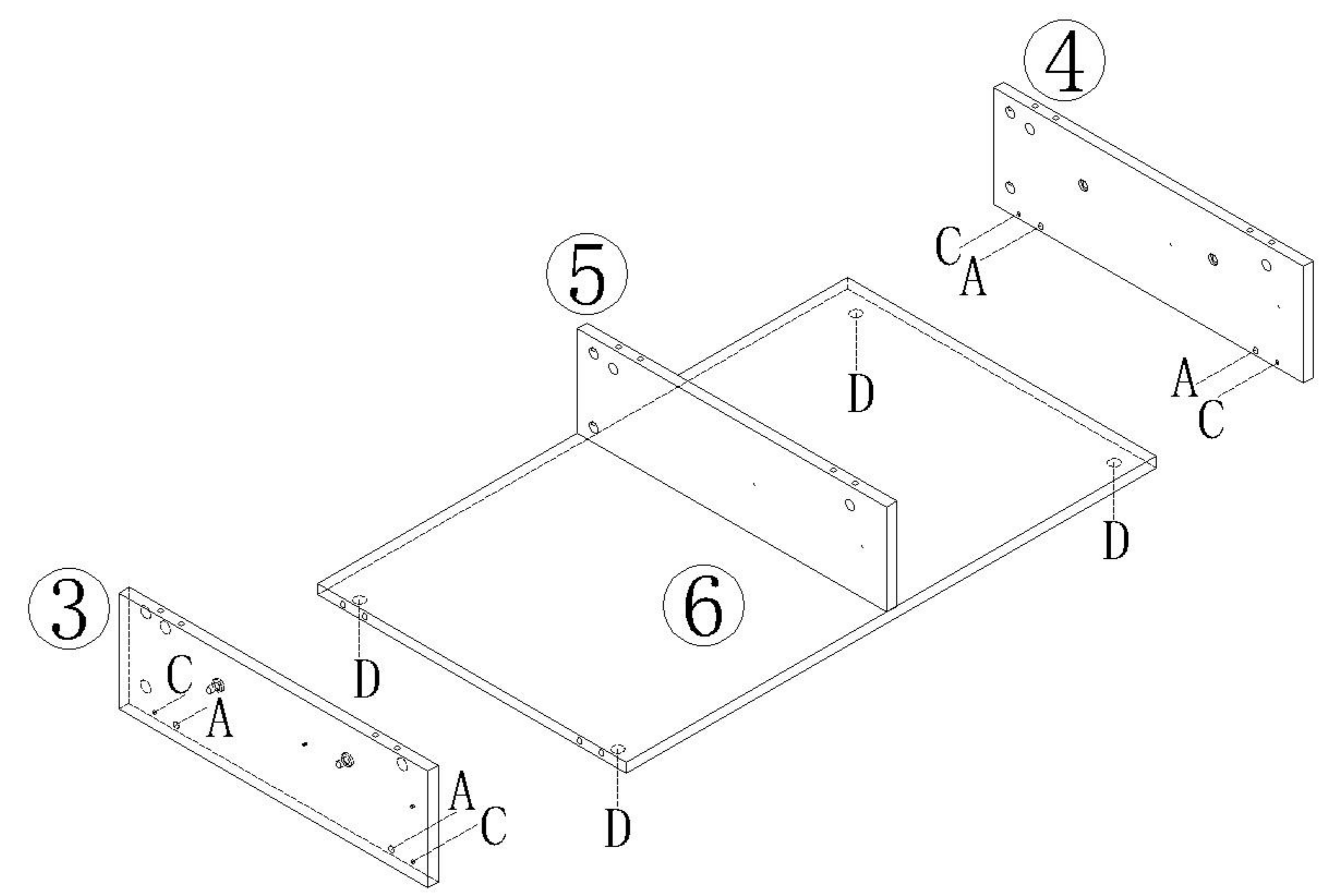
安装方法/
Installation method

-  (B)*2
-  (E)*1

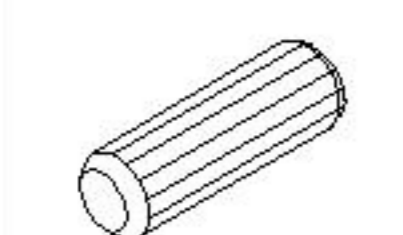
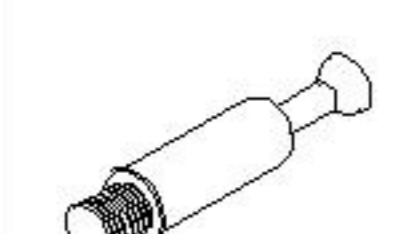



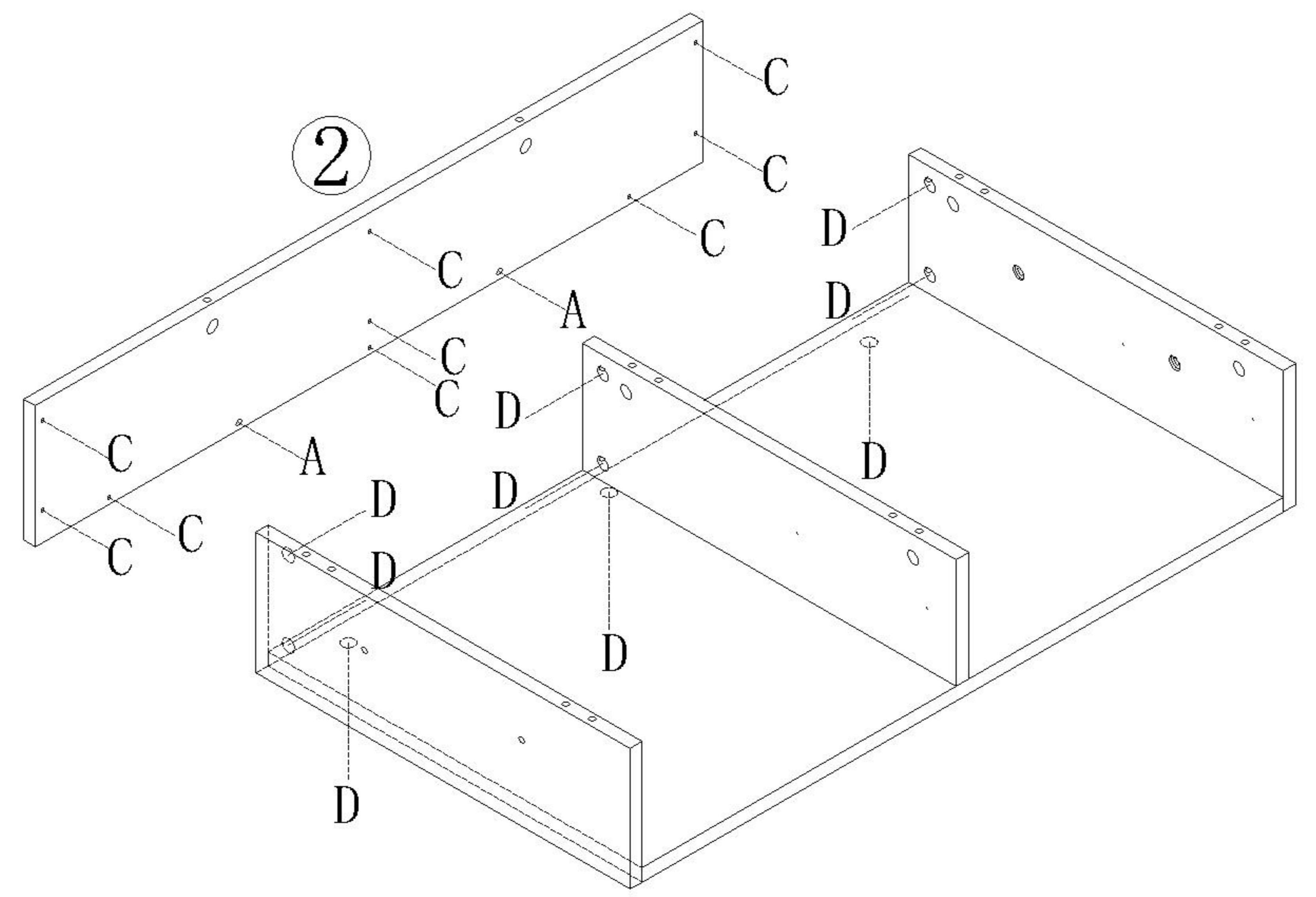
5

-  (A)*4
-  (C)*4
-  (D)*4

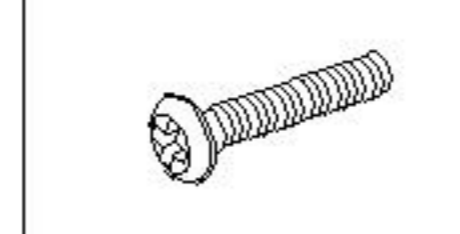


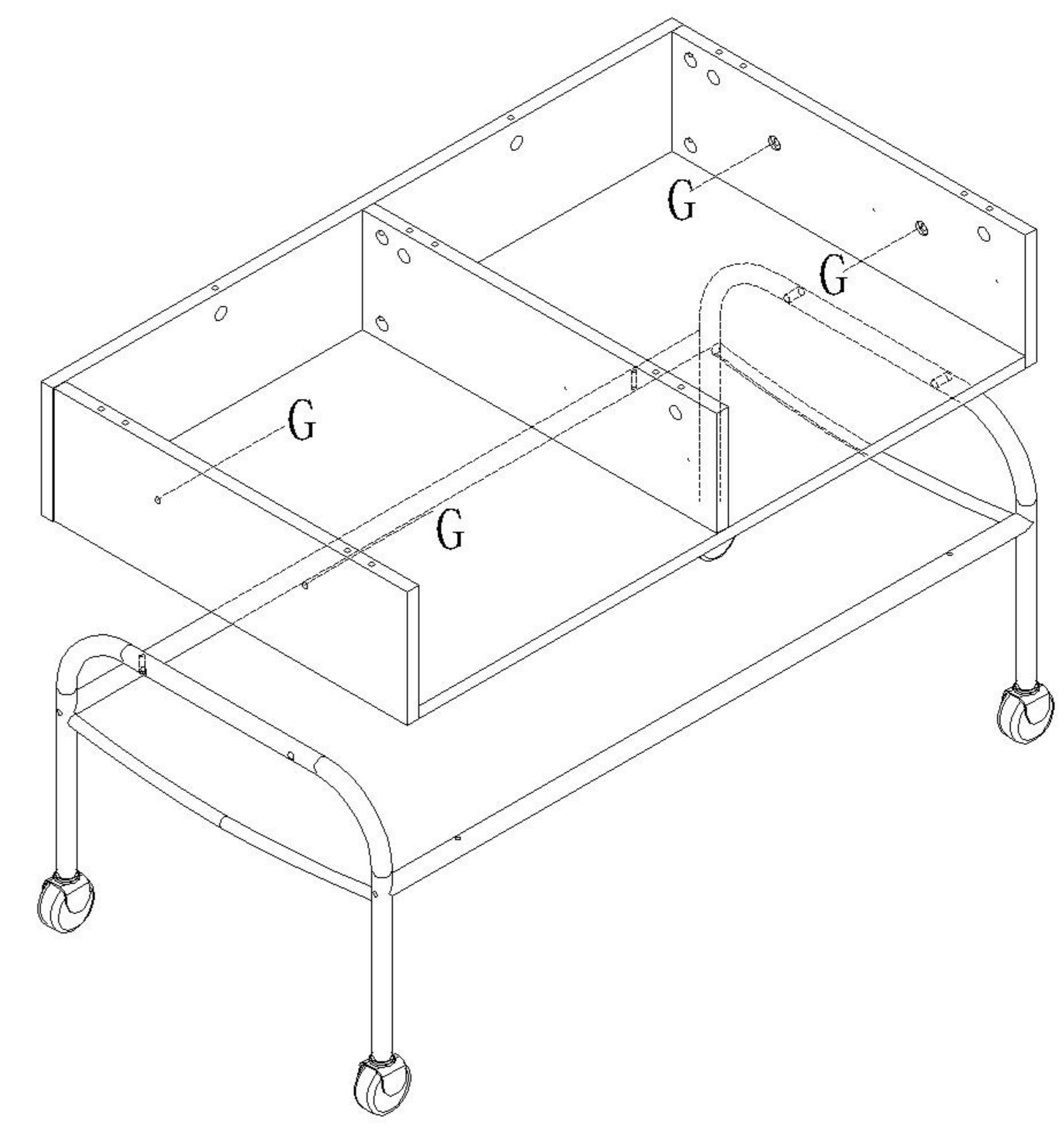
6

-  (A)*2
-  (C)*9
-  (D)*9



7

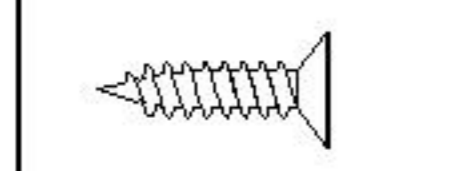
-  (G)*4



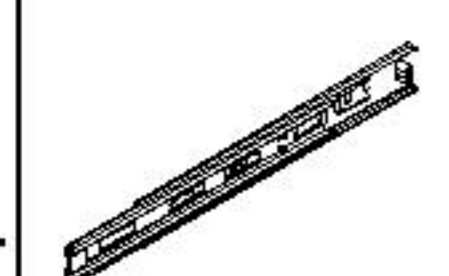
8

OW1L-A (1.0m)

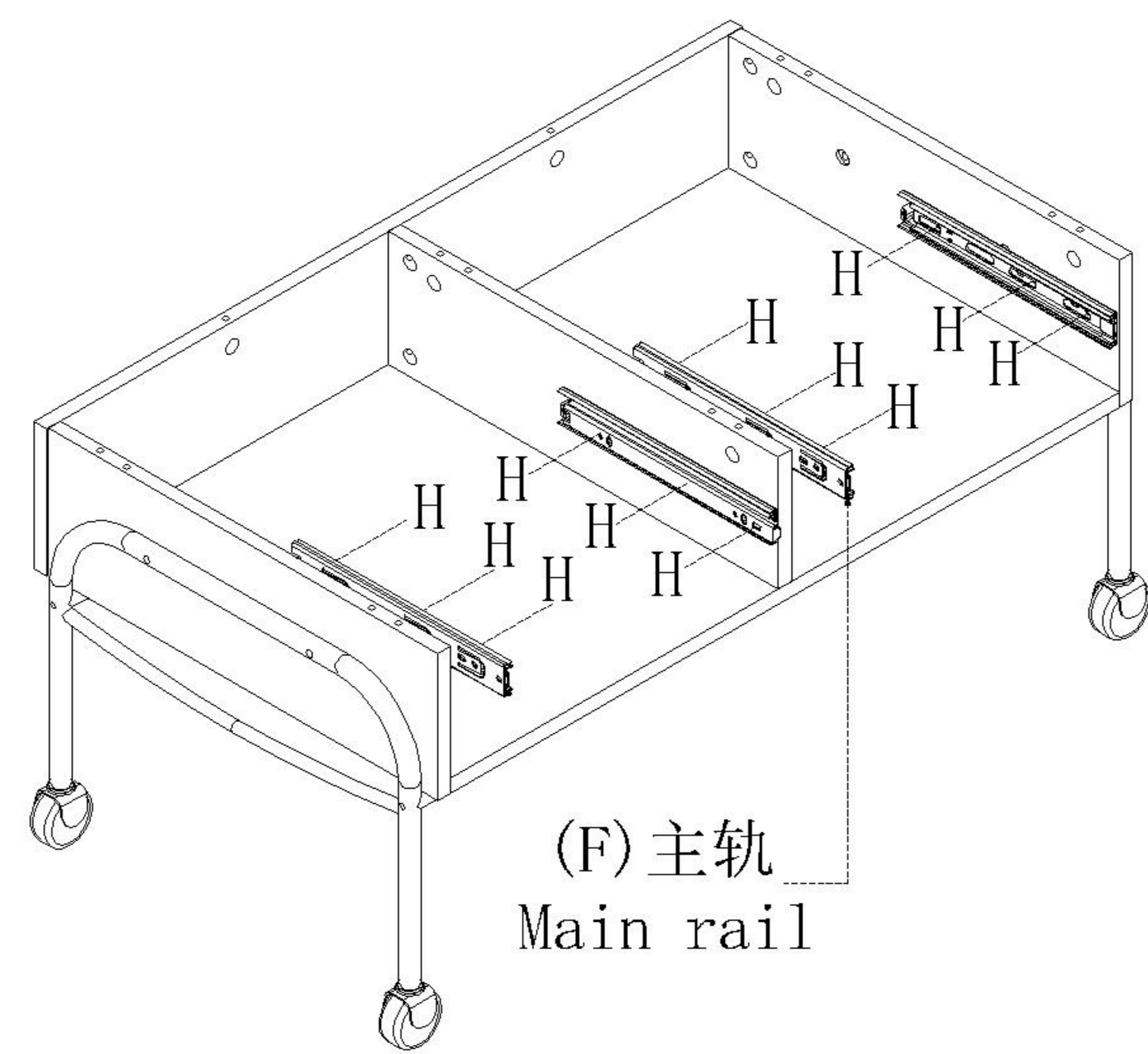
安装方法/
Installation method



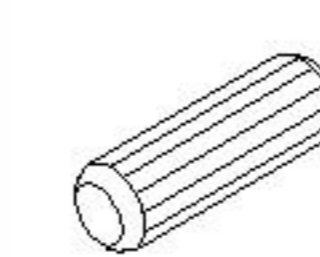
(H)*12



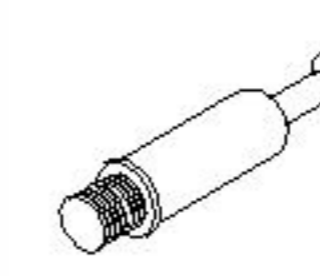
(F)*2



9



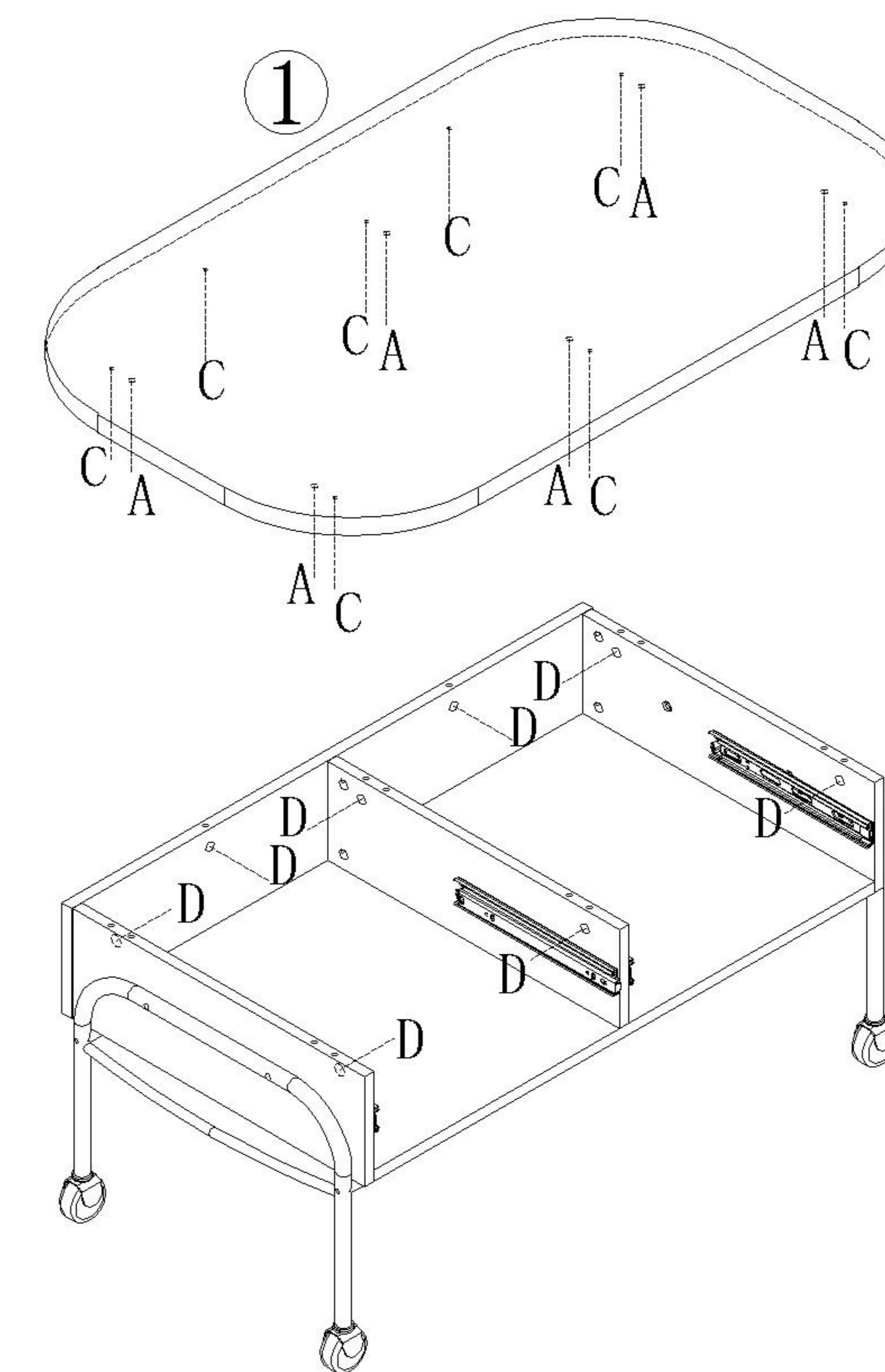
(A)*6



(C)*8

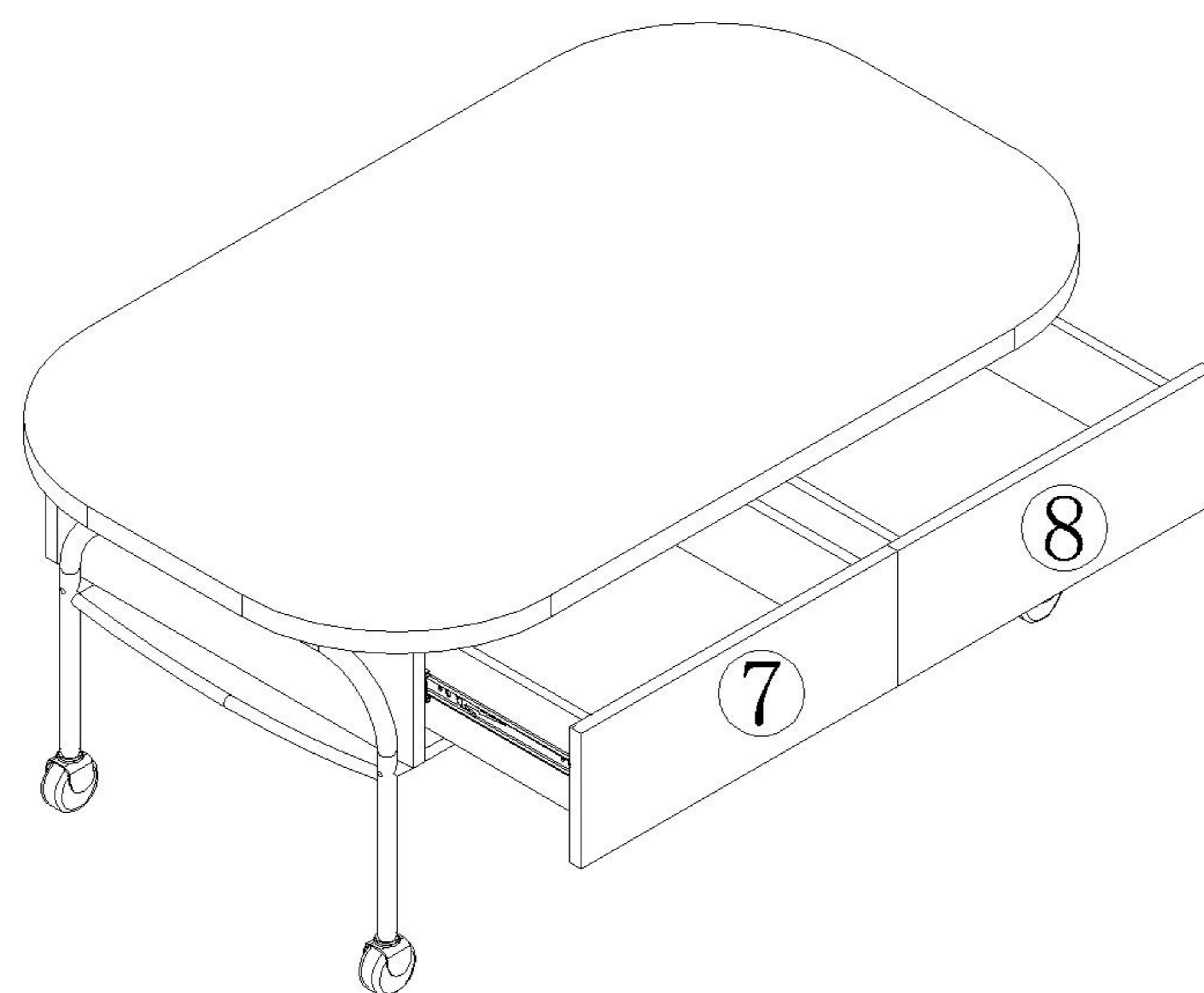


(D)*8



10

11



12

