

安装示意图/Assembly Instruction

产品名称 Model NO.

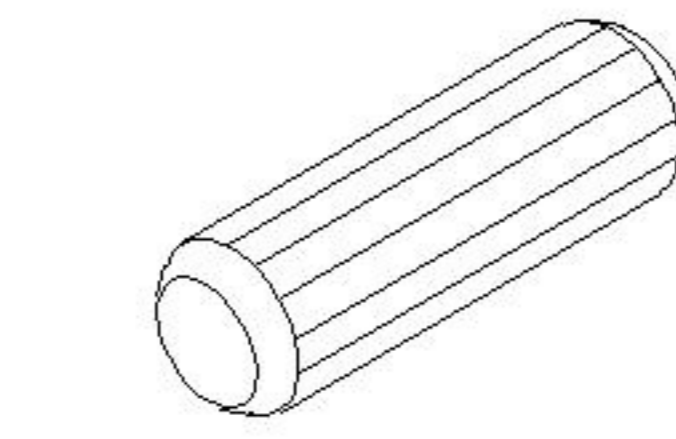
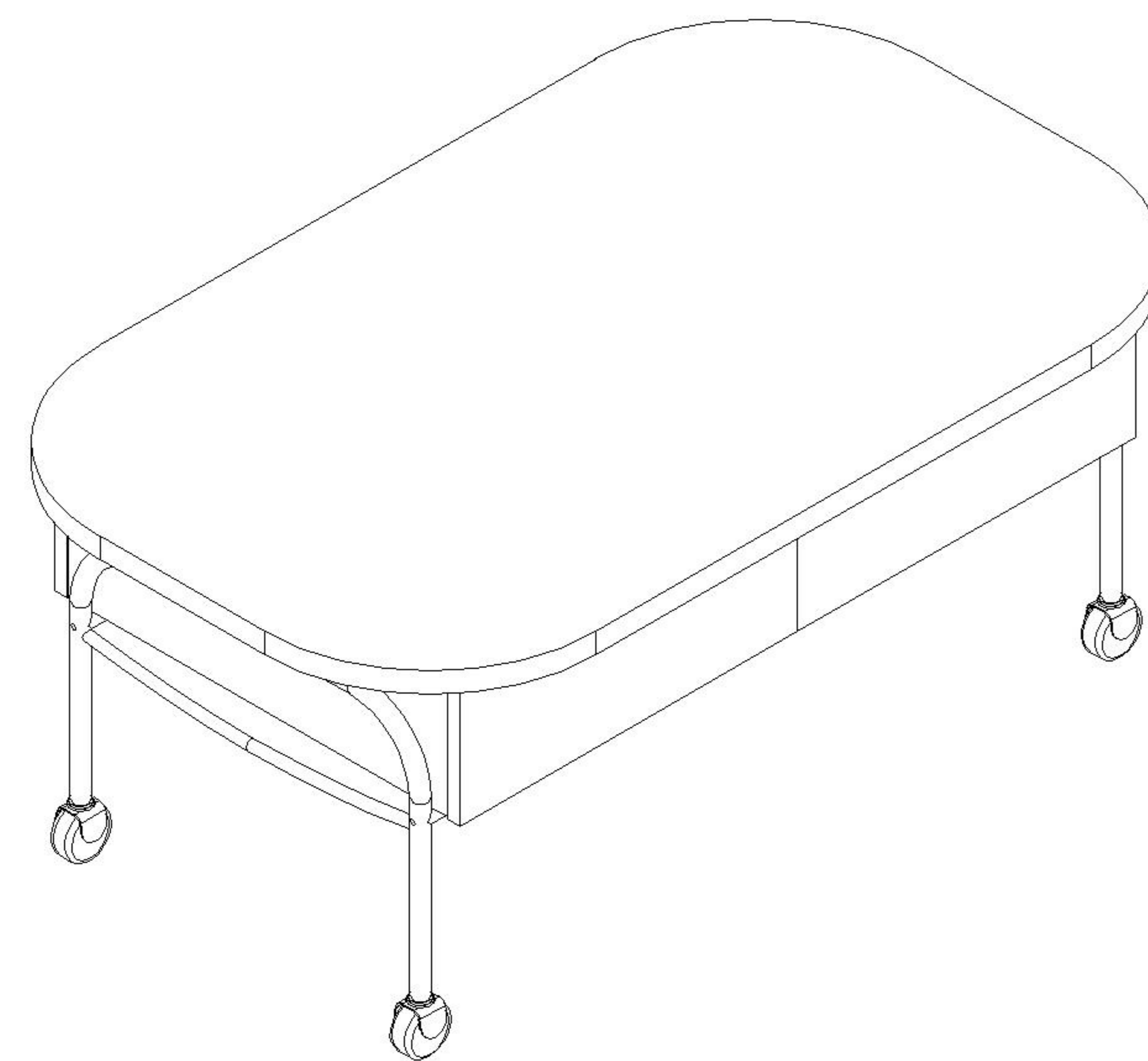
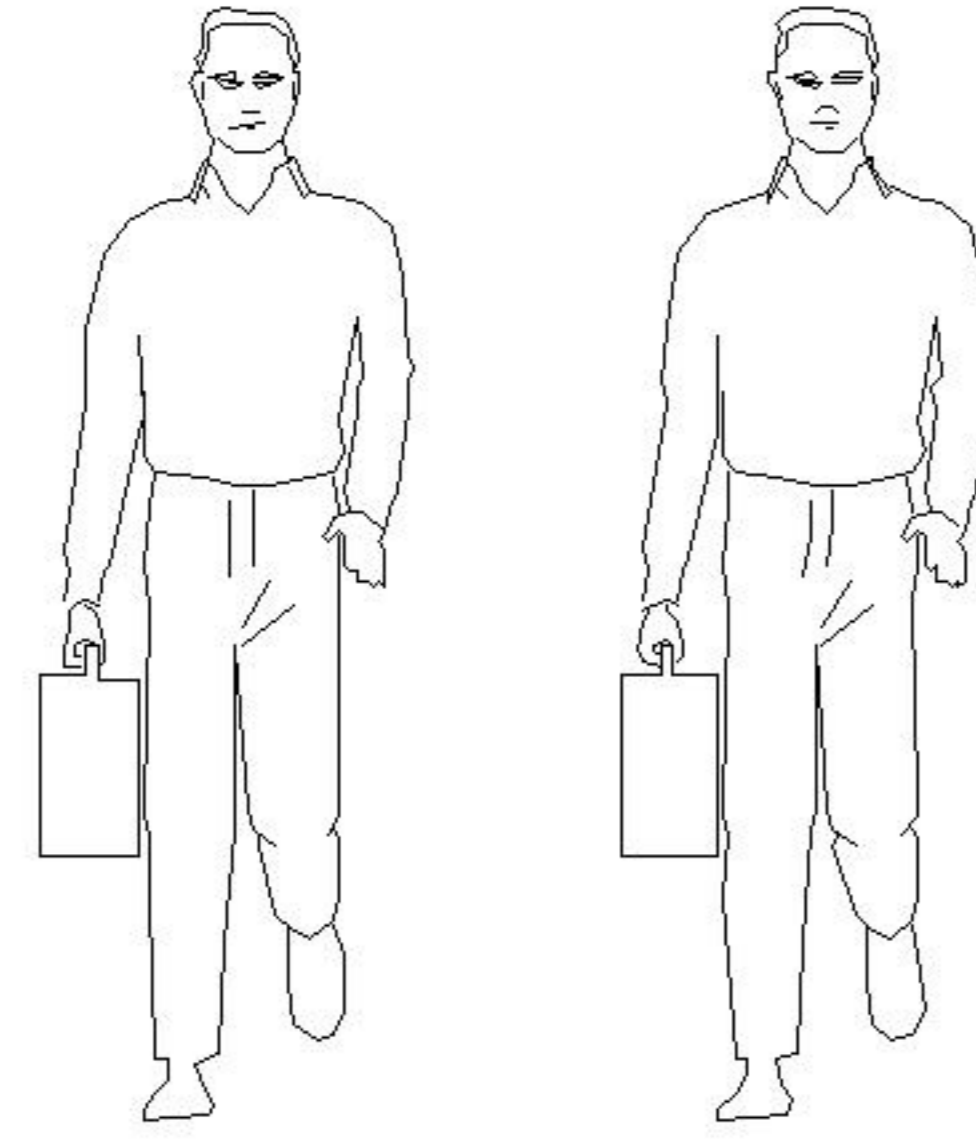
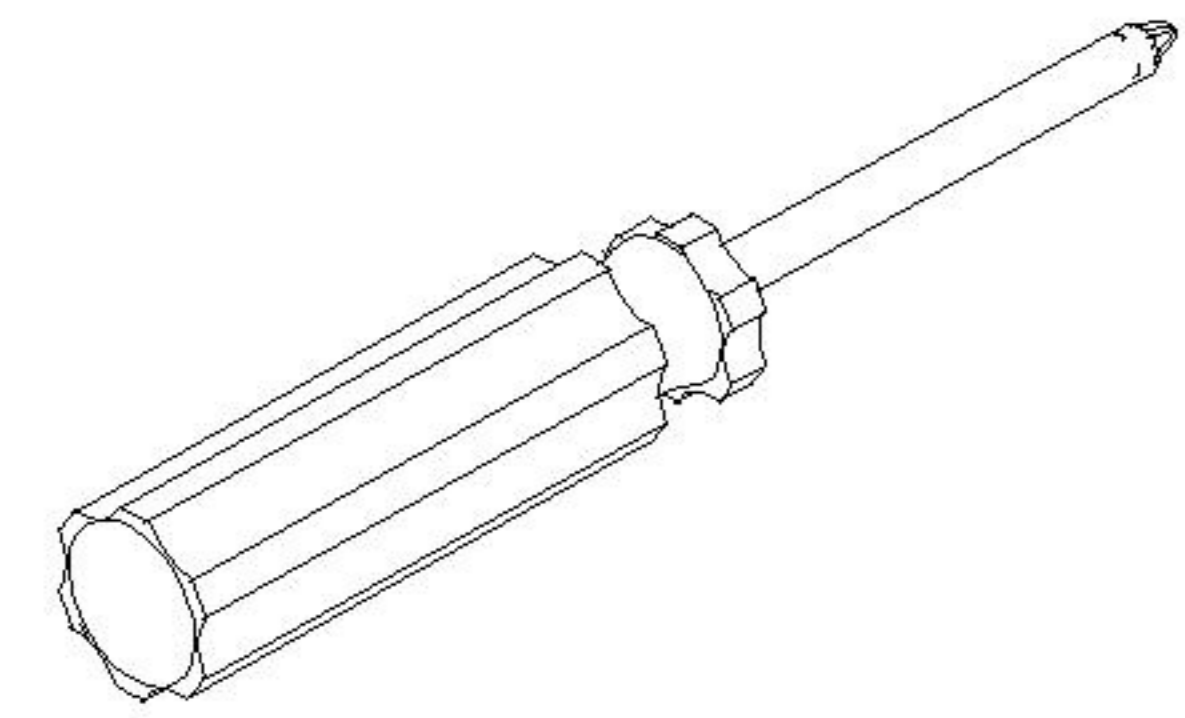
OW1L-B (1.0m)

产品规格 Specification

1000*600*426 mm

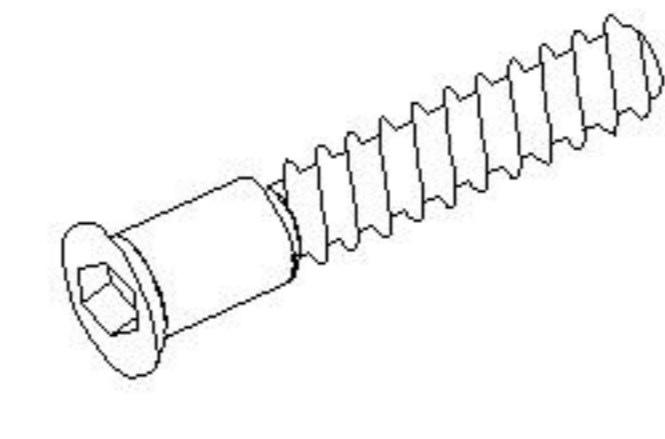
安装工具 Tool

安装人数 Installer



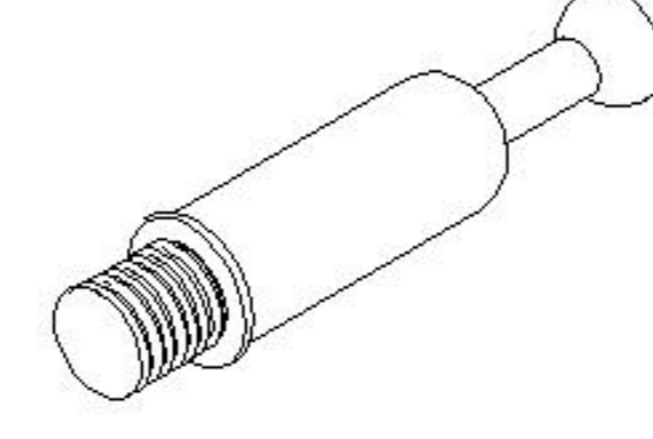
(A)* 13

木榫 \varnothing 8x30mm
wood tenon



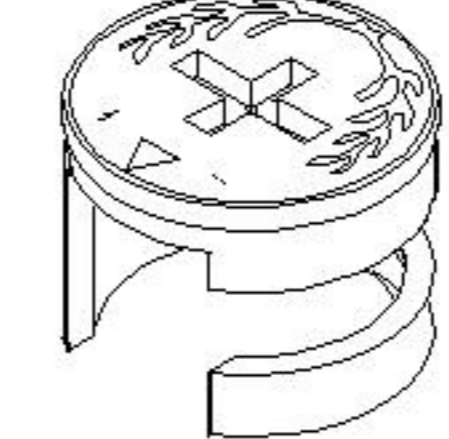
(B)* 2

过山丝-M7x38mm
Self-tapping screw
galvanized



(C)* 22

二合一螺杆
2-in-1-screw



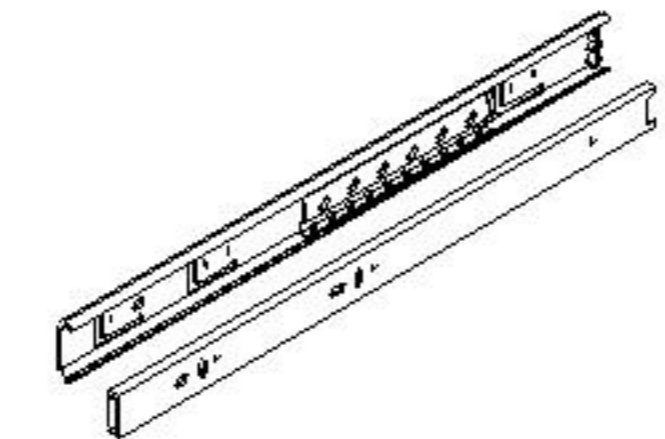
(D)* 22

大三合一锁饼
Three-in-one large
lock



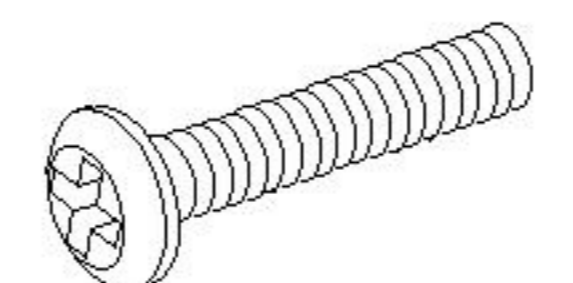
(E)* 1

内六角扳手4mm
spanner-(4mm) hex



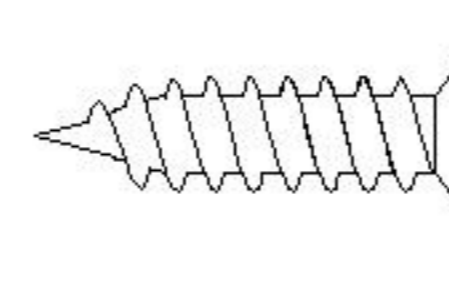
(F)* 2

三节滚珠导轨-10"
three-section ball
rail



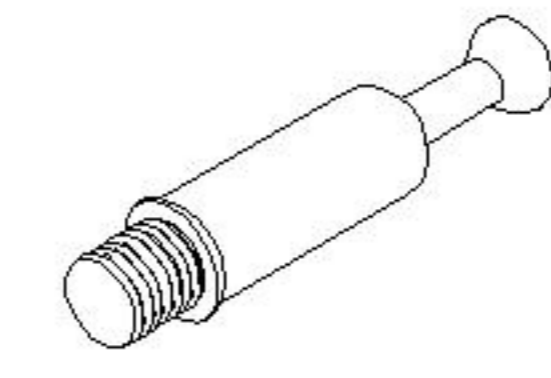
(G)* 4

斜边十字螺杆-M6x25
bevel cross screw



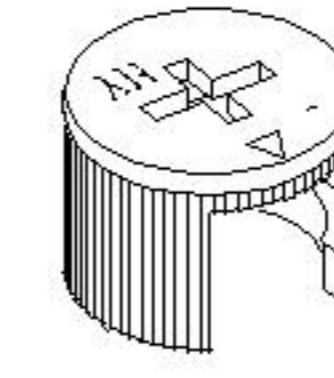
(H)* 25

自攻螺丝M3.5x12mm
Self-tapping screw



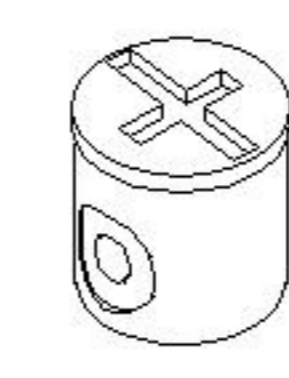
(I)* 8

小二合一杆
small two-in-one
rod



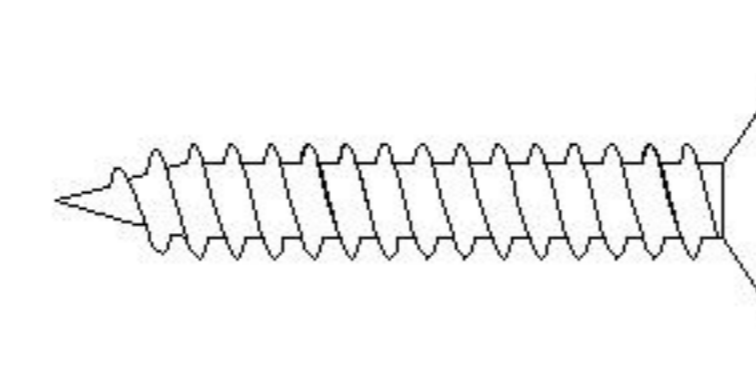
(J)* 8

小三合一锁饼
small three-in-one
lock



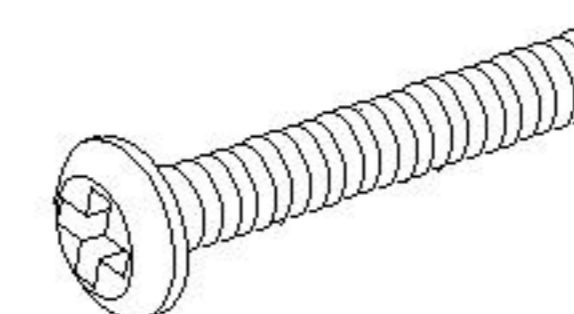
(K)* 8

塑料螺母
Plastic Nut



(L)* 8

自攻螺丝M4x40mm
Self-tapping screw



(N)* 4

斜边十字螺杆-M6x35
bevel cross screw

编号NO.

名称Name

规格 (mm)
Specification

数量QTY

材质Material

①

面板Top panel

1000*600*25

1

人造板WBP

②

背板Back board

820*146*15

1

人造板WBP

③

左侧板Side board(L)

460*146*15

1

人造板WBP

④

右侧板Side board(R)

460*146*15

1

人造板WBP

⑤

中侧板Middle side board

460*131*15

1

人造板WBP

⑥

底板Bottom board

788*460*15

1

人造板WBP

⑦

左抽屉面板Drawer's
panel(L)

409*147*15

1

人造板WBP

⑧

右抽屉面板Drawer's
panel(R)

409*147*15

1

人造板WBP

⑨

抽屉左侧板Drawer's side
board(L)

295*110*12

2

人造板WBP

⑩

抽屉右侧板Drawer's side
board(R)

295*110*12

2

人造板WBP

⑪

抽屉后板Drawer's Back
board

336.5*110*12

2

人造板WBP

⑫

抽屉底板Drawer's Bottom
board

346*291*5

2

人造板WBP

⑬

侧架Side Frame

2

五金Hardware

⑭

下拉方Bottom brace

2

五金Hardware

⑮

脚 Hardware feet




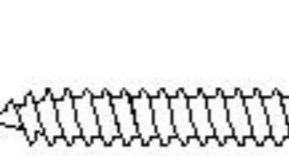
4

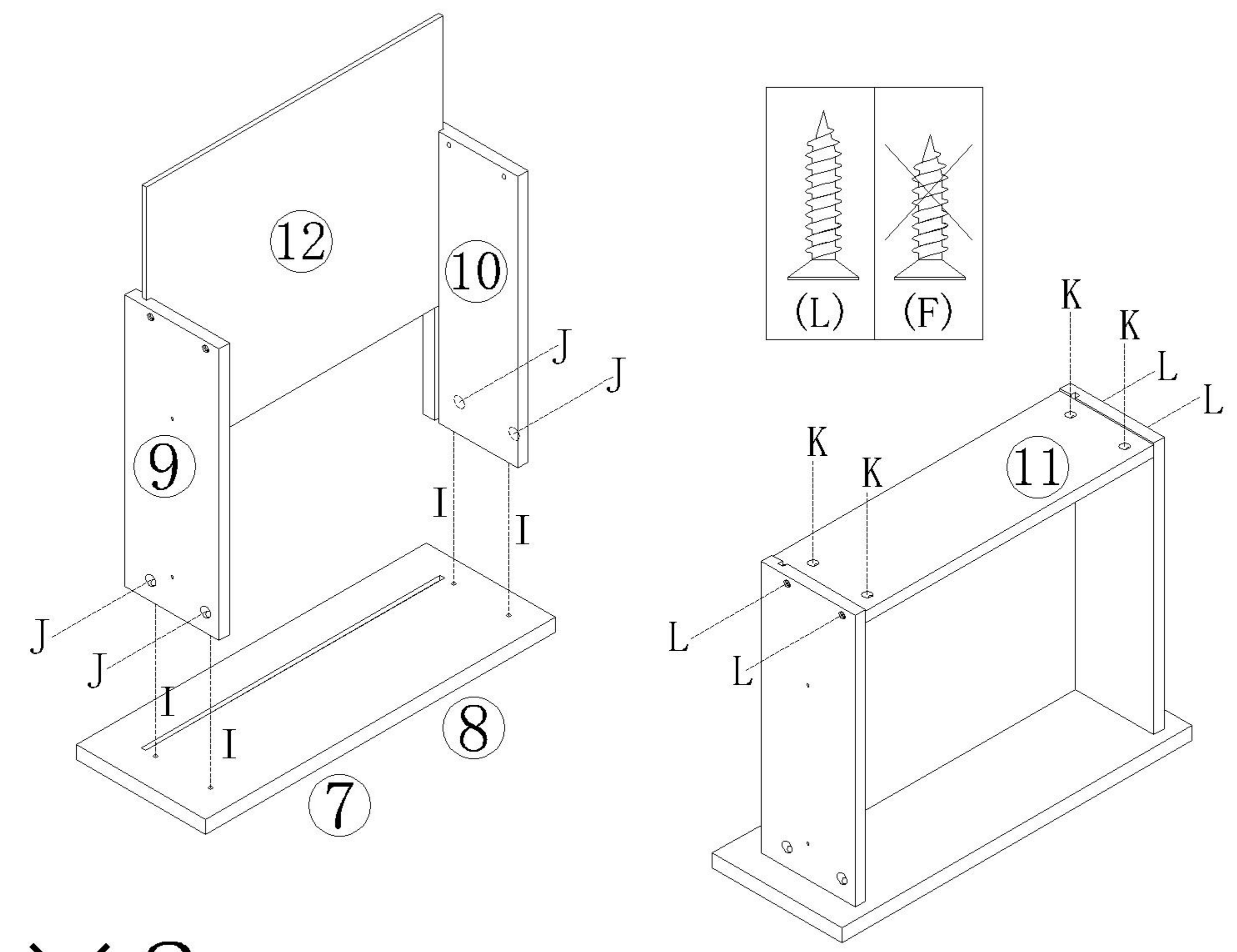
五金Hardware

五金架自带五金
Hardware rack comes with hardware

OW1L-B (1.0m)

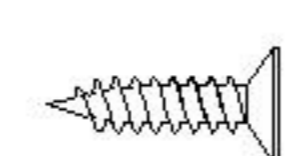

安装方法/
Installation method

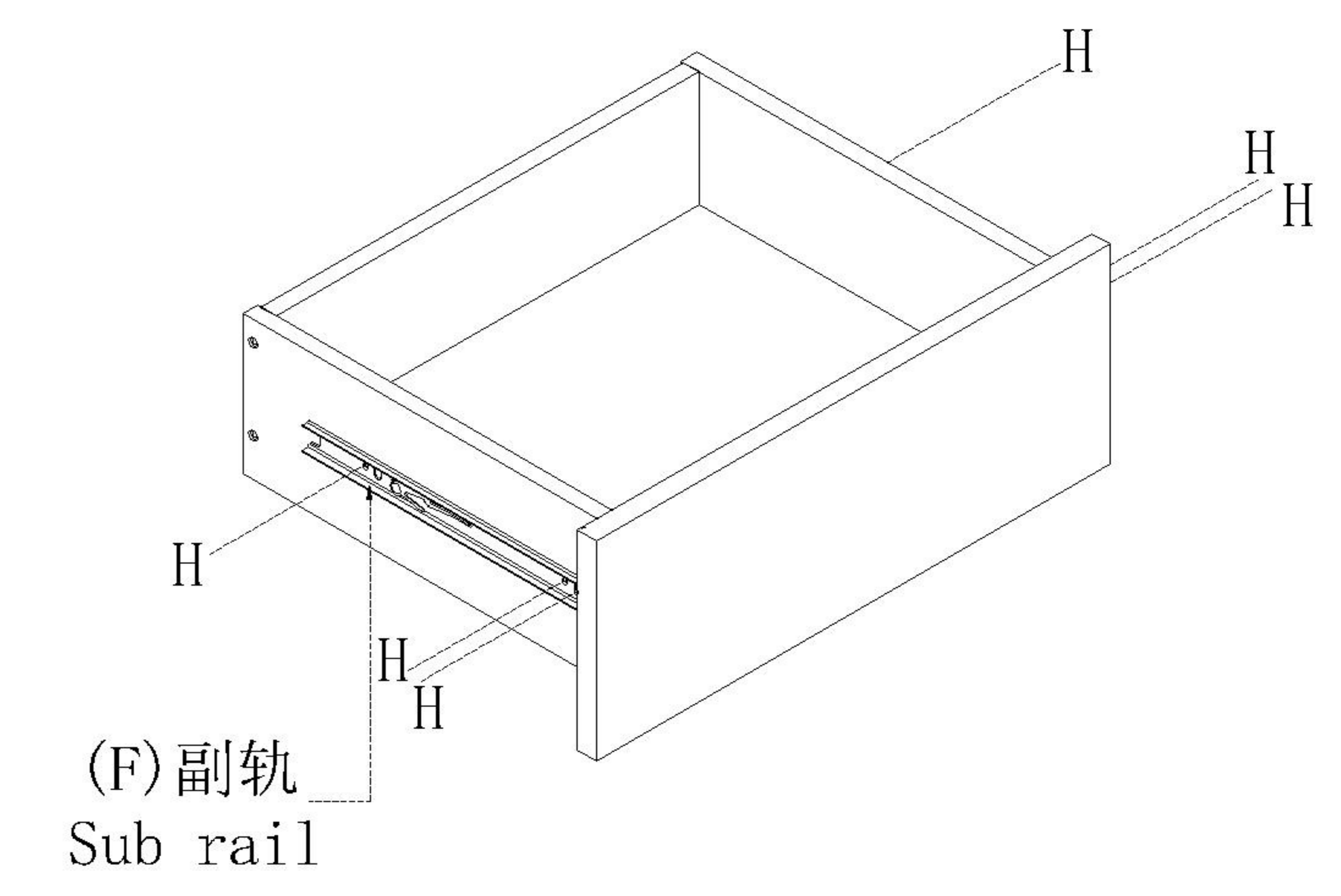
-  (I)*8
-  (J)*8
-  (K)*8
-  (L)*8



× 2

1

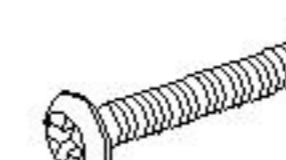
-  (H)*12
-  (F)*2

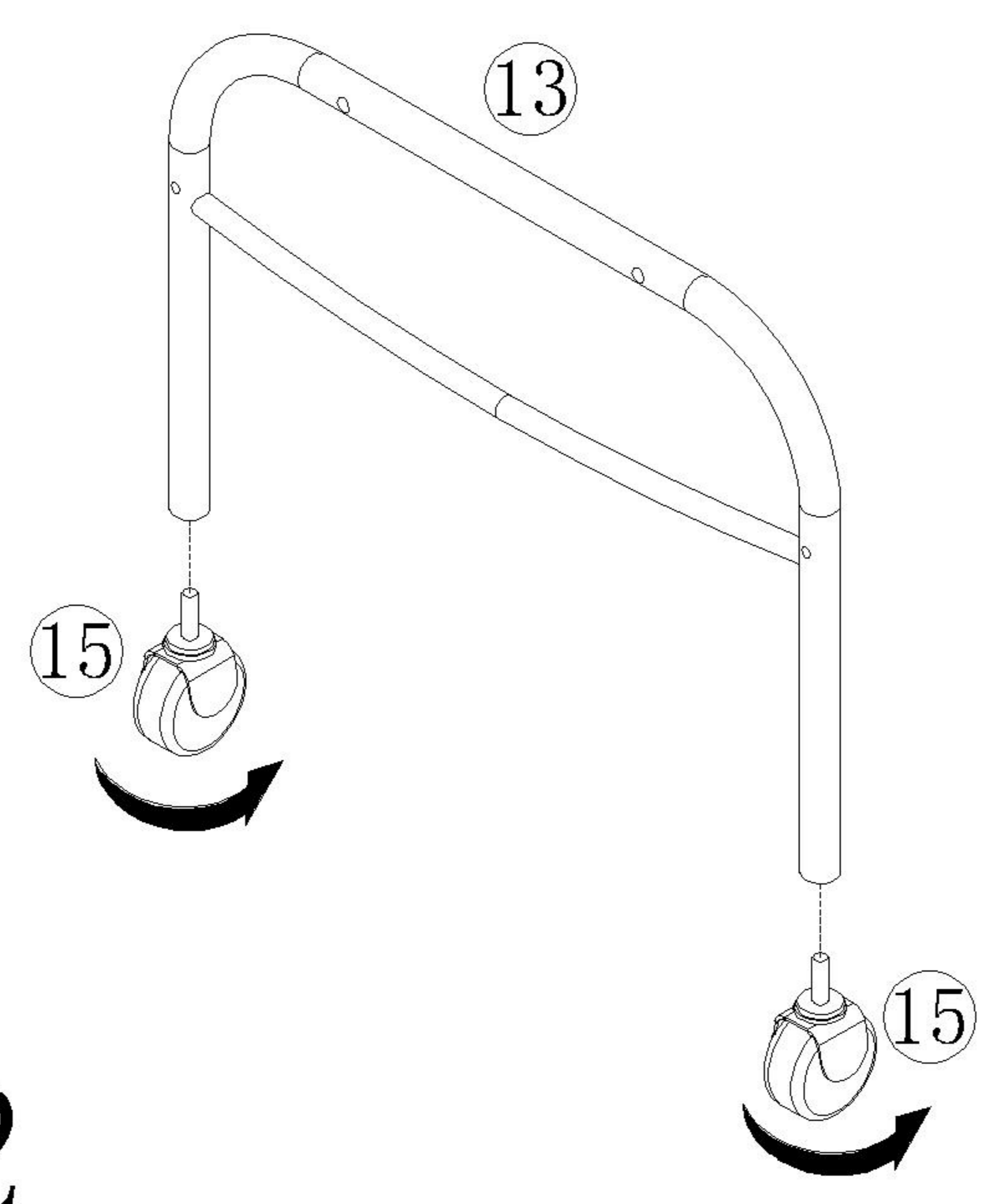


× 2

2

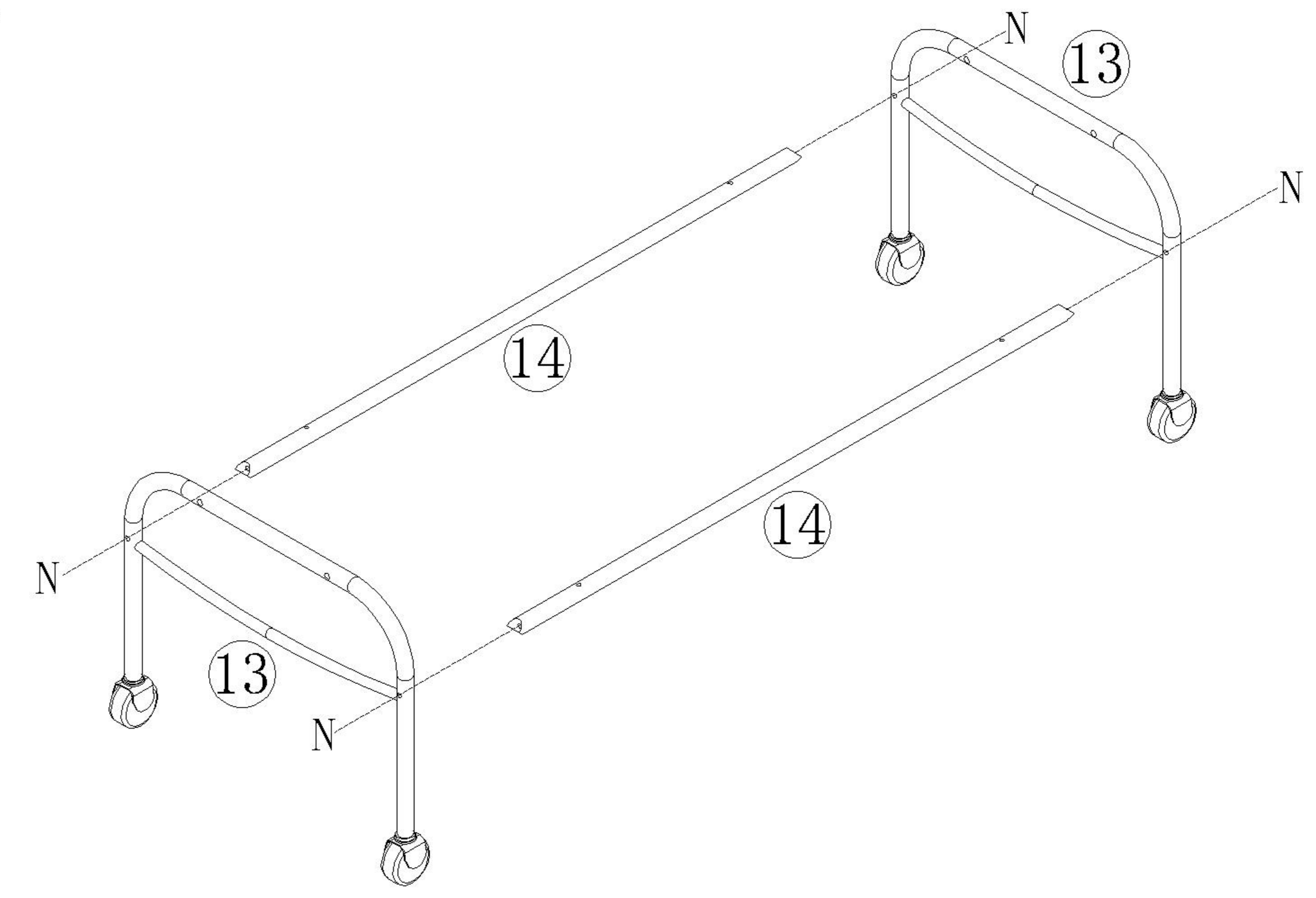
3

-  (N)*4



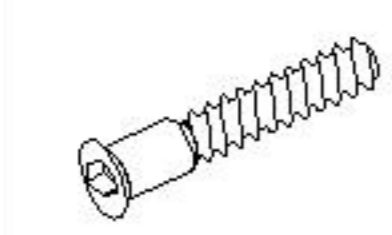

× 2

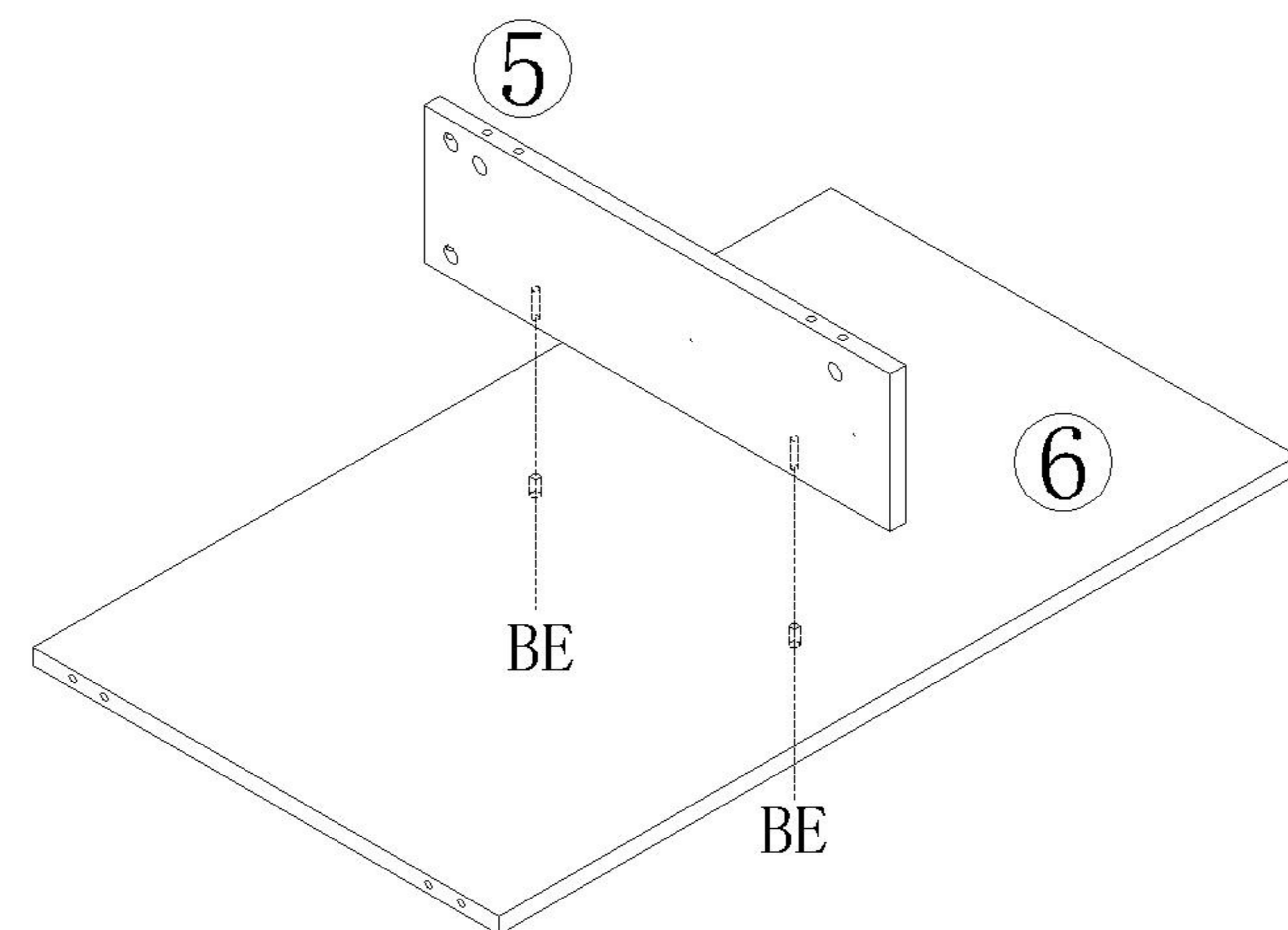
4



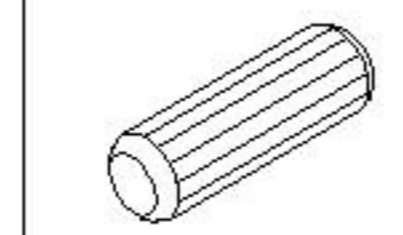
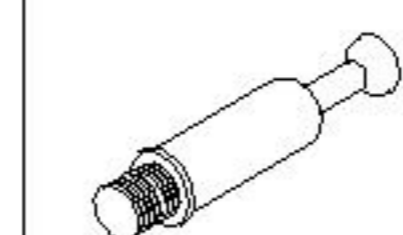

OW1L-B (1.0m)

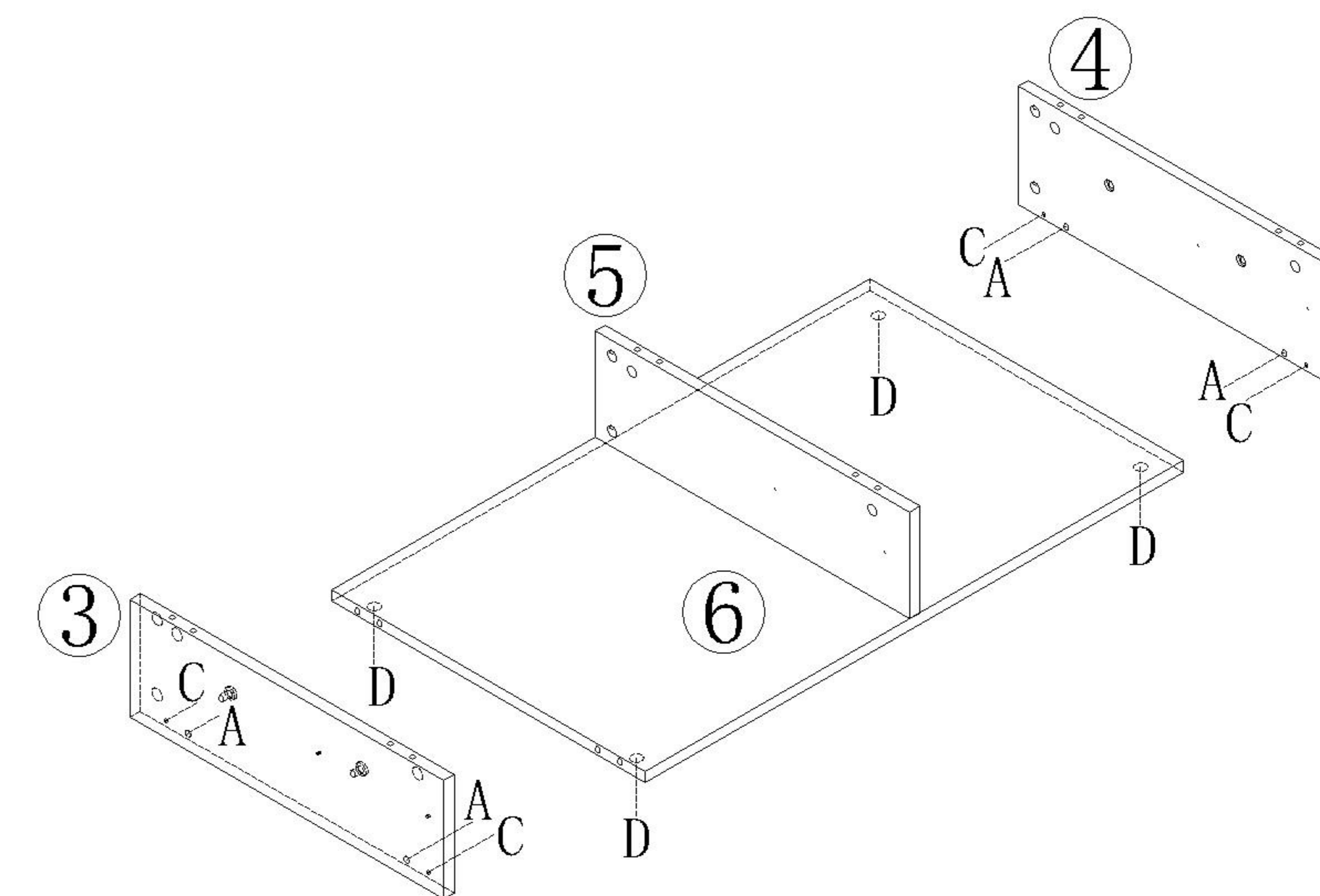
安装方法/
Installation method

-  (B)*2
-  (E)*1

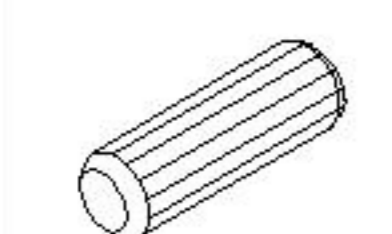
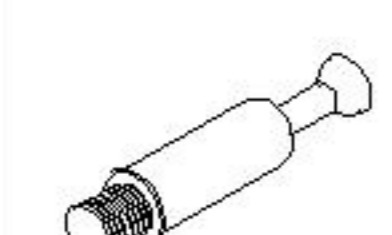



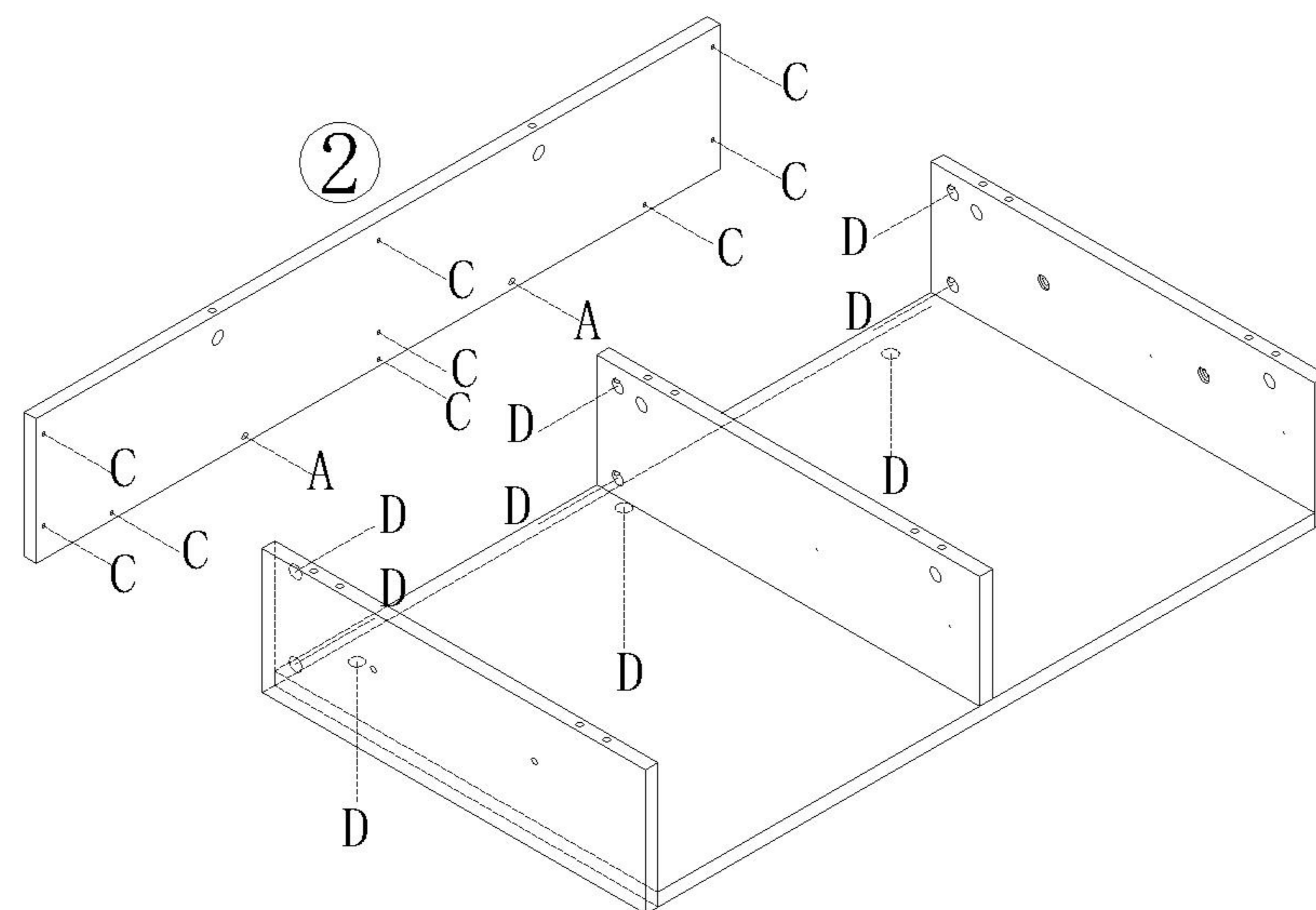
5

-  (A)*4
-  (C)*4
-  (D)*4

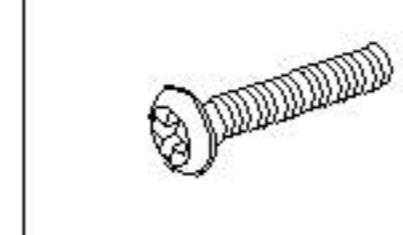


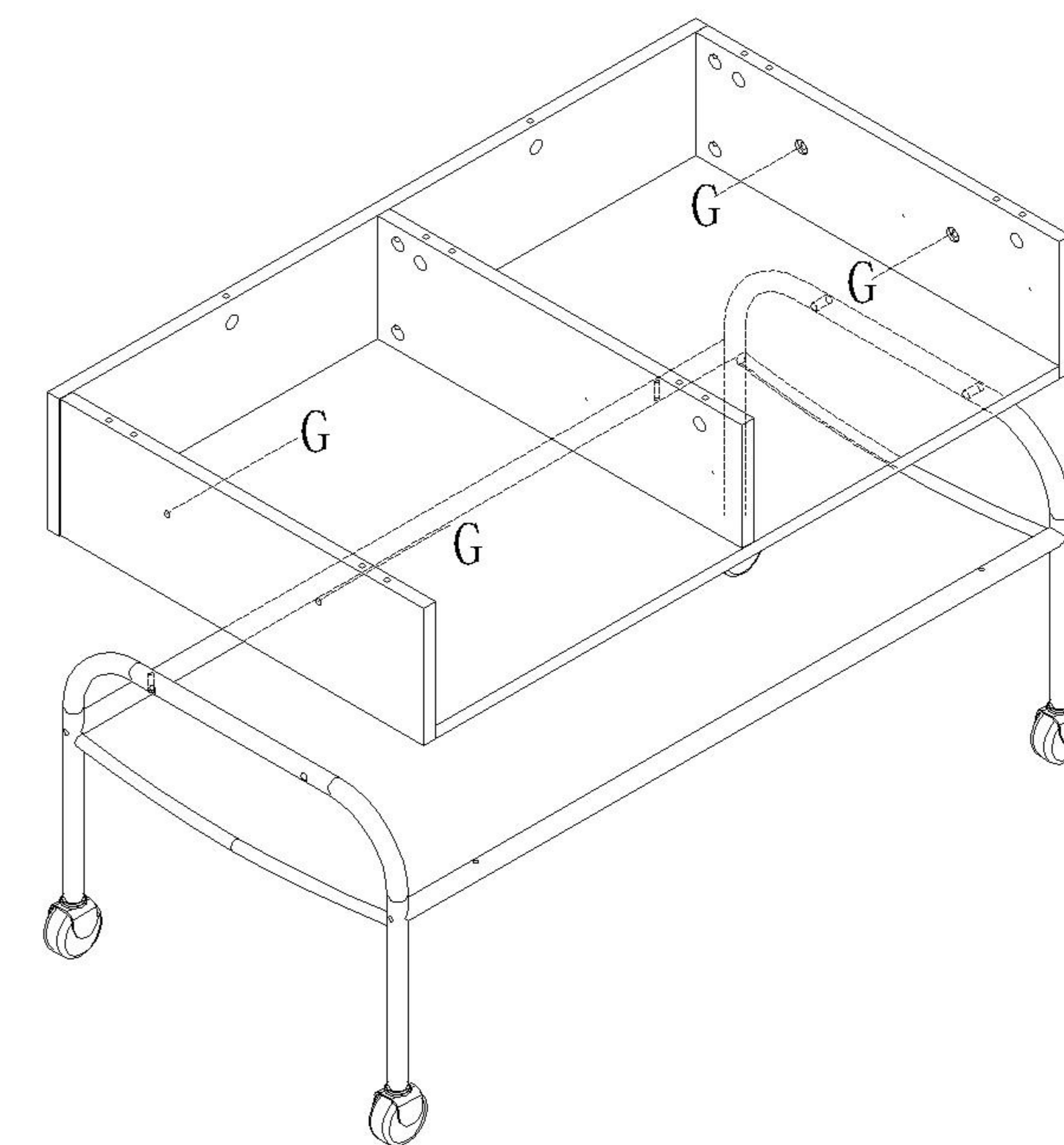
6

-  (A)*2
-  (C)*9
-  (D)*9



7

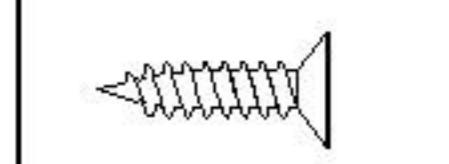
-  (G)*4



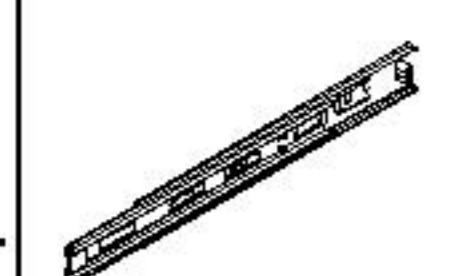
8

OW1L-B (1.0m)

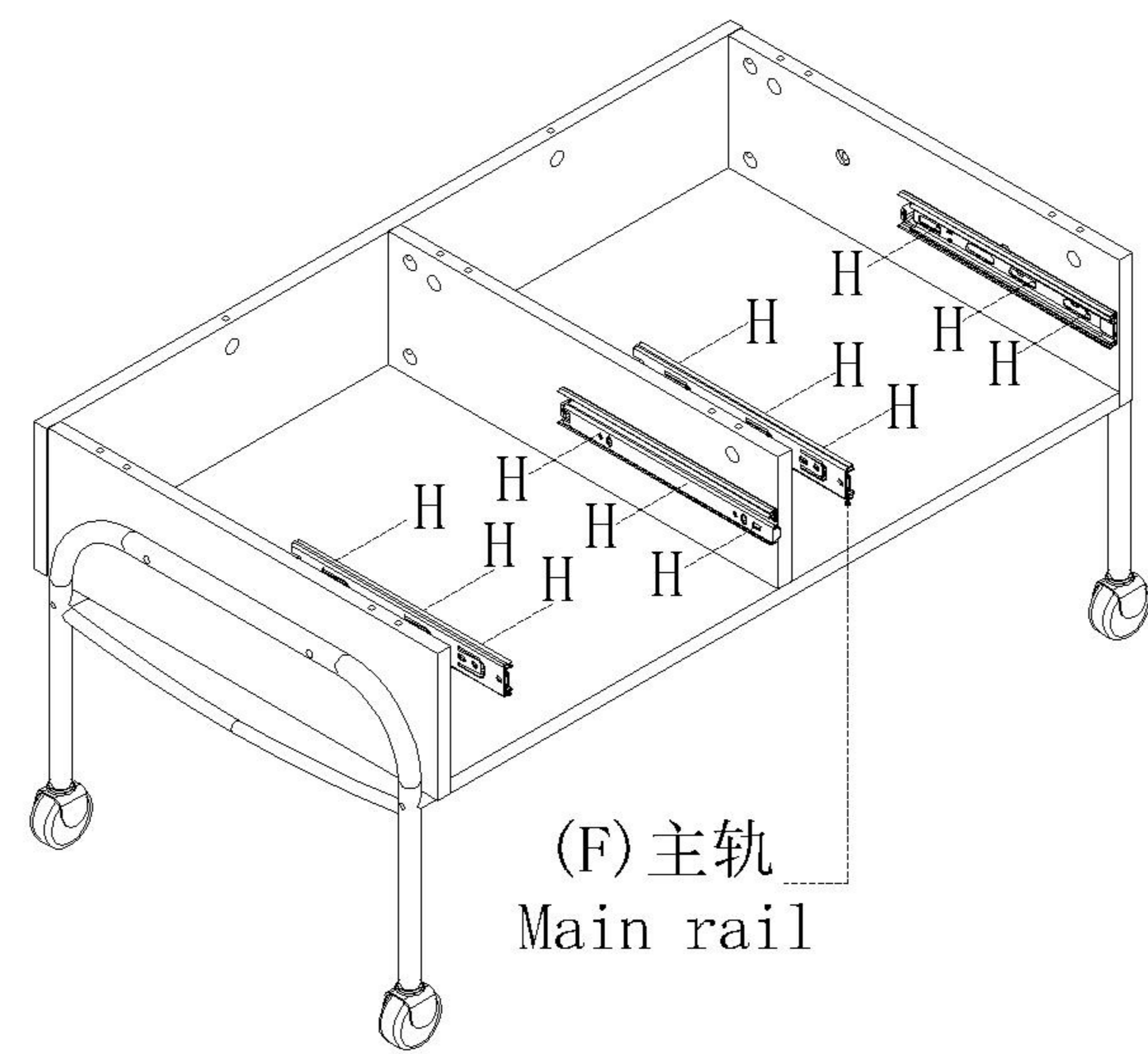
安装方法/
Installation method



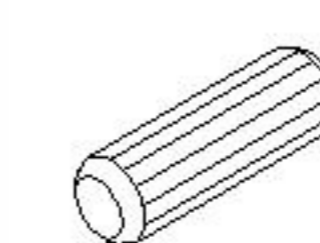
(H)*12



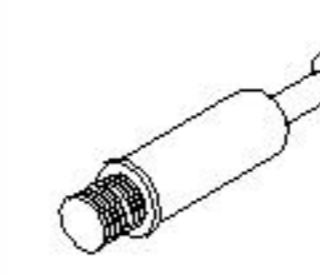
(F)*2



9



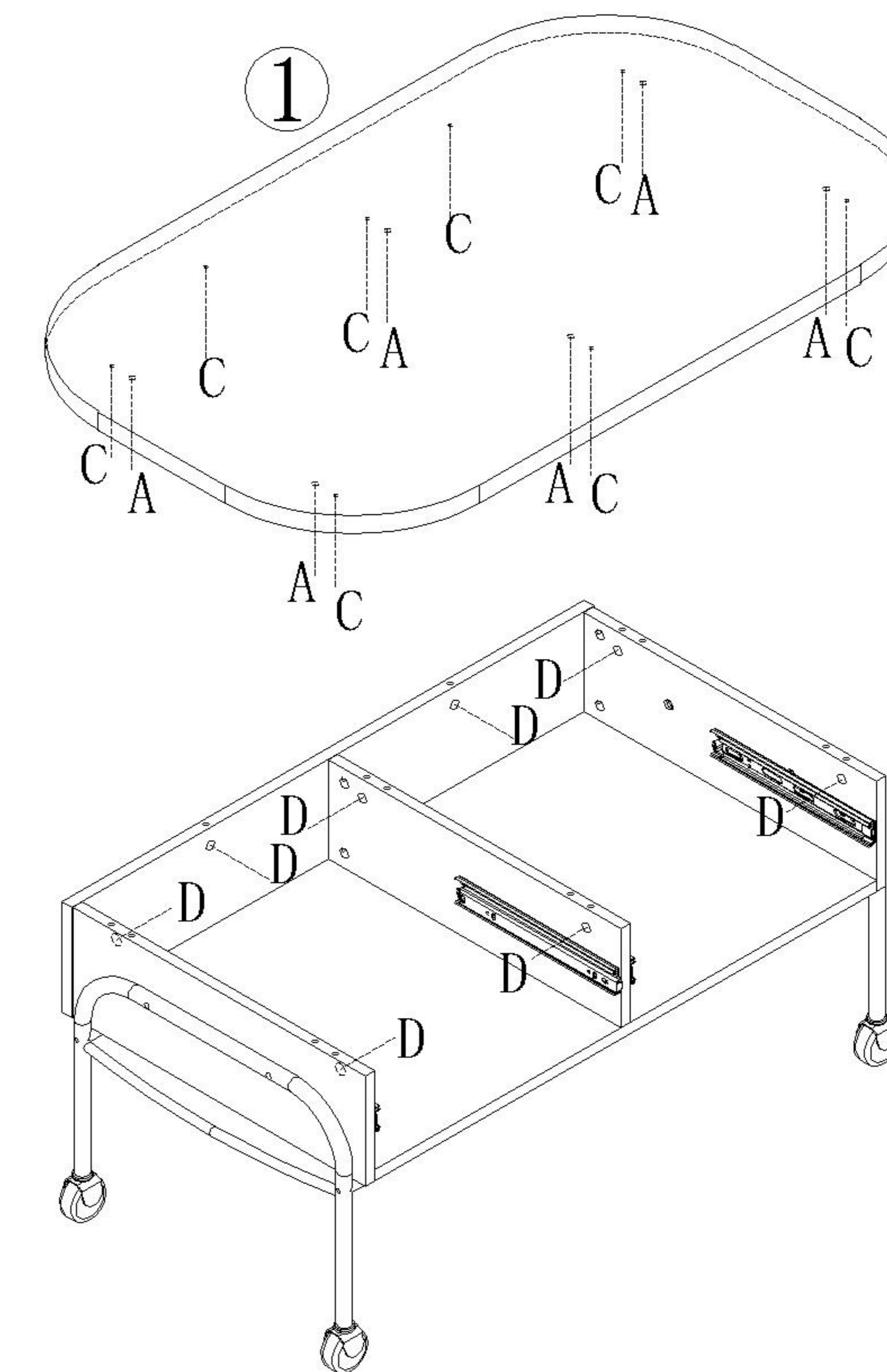
(A)*6



(C)*8

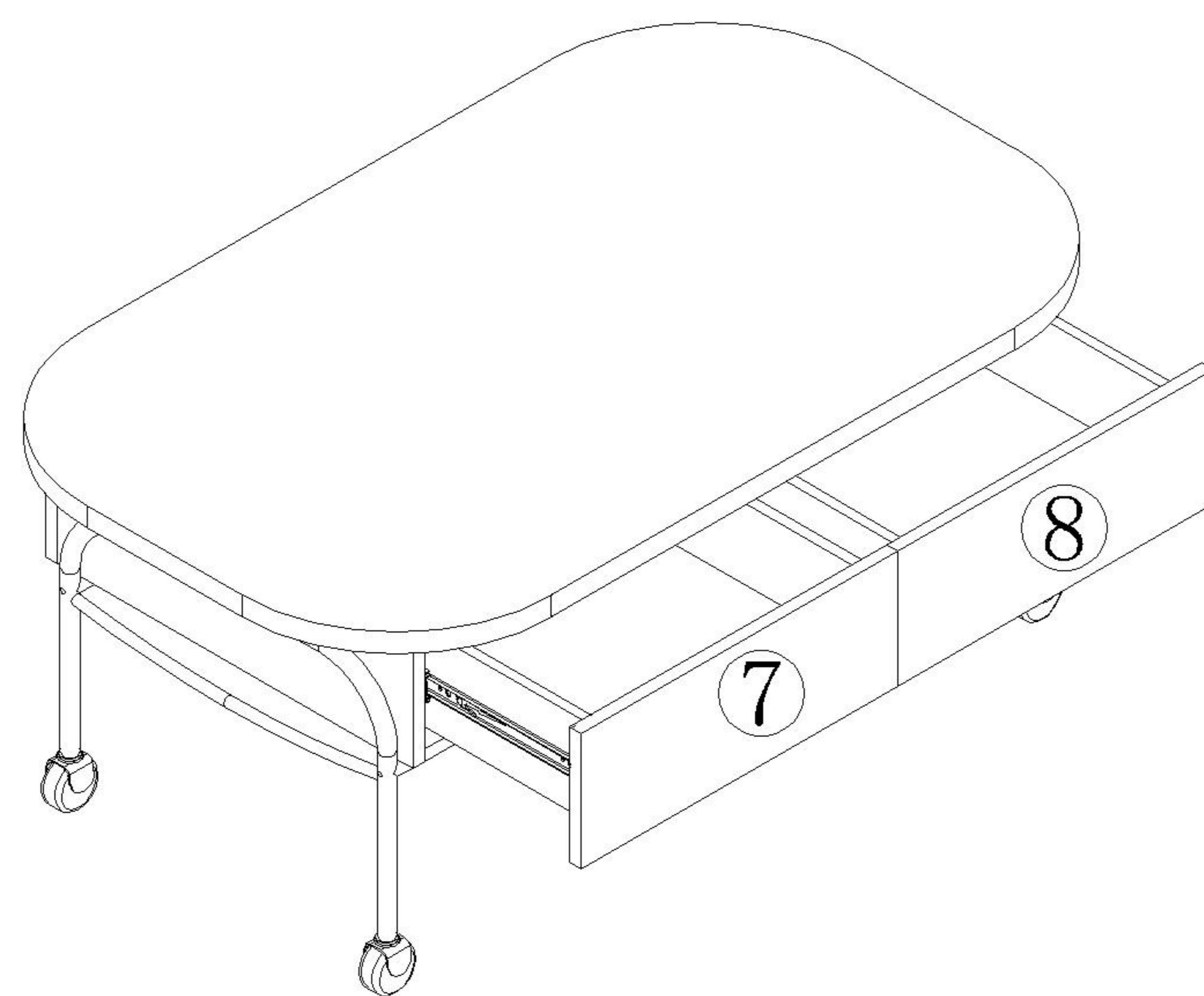


(D)*8



10

11



12

