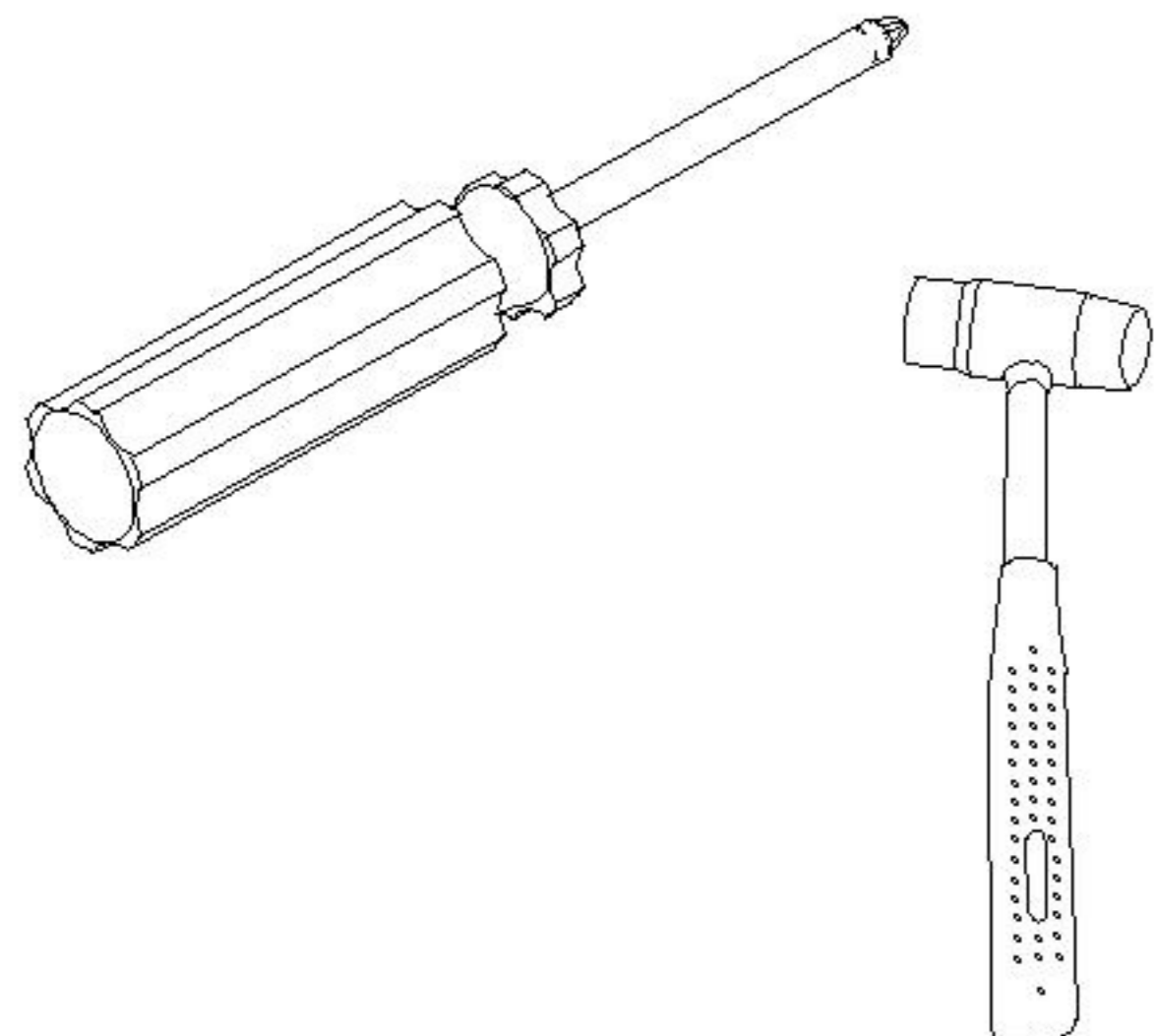
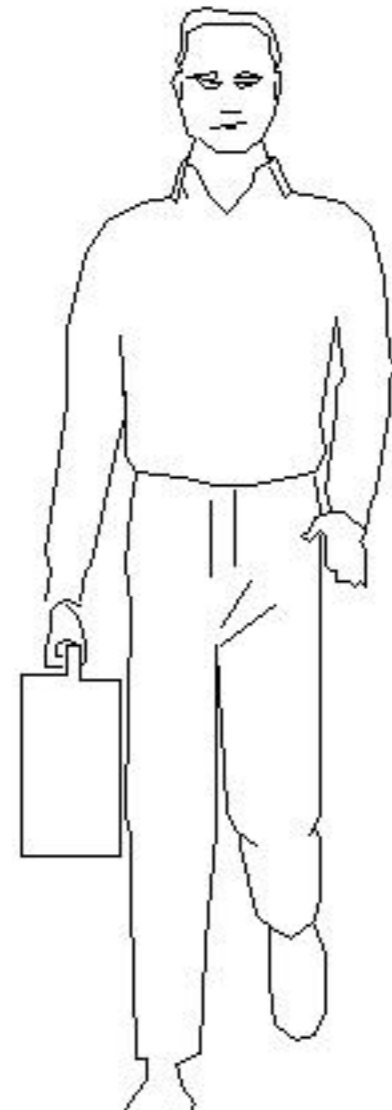


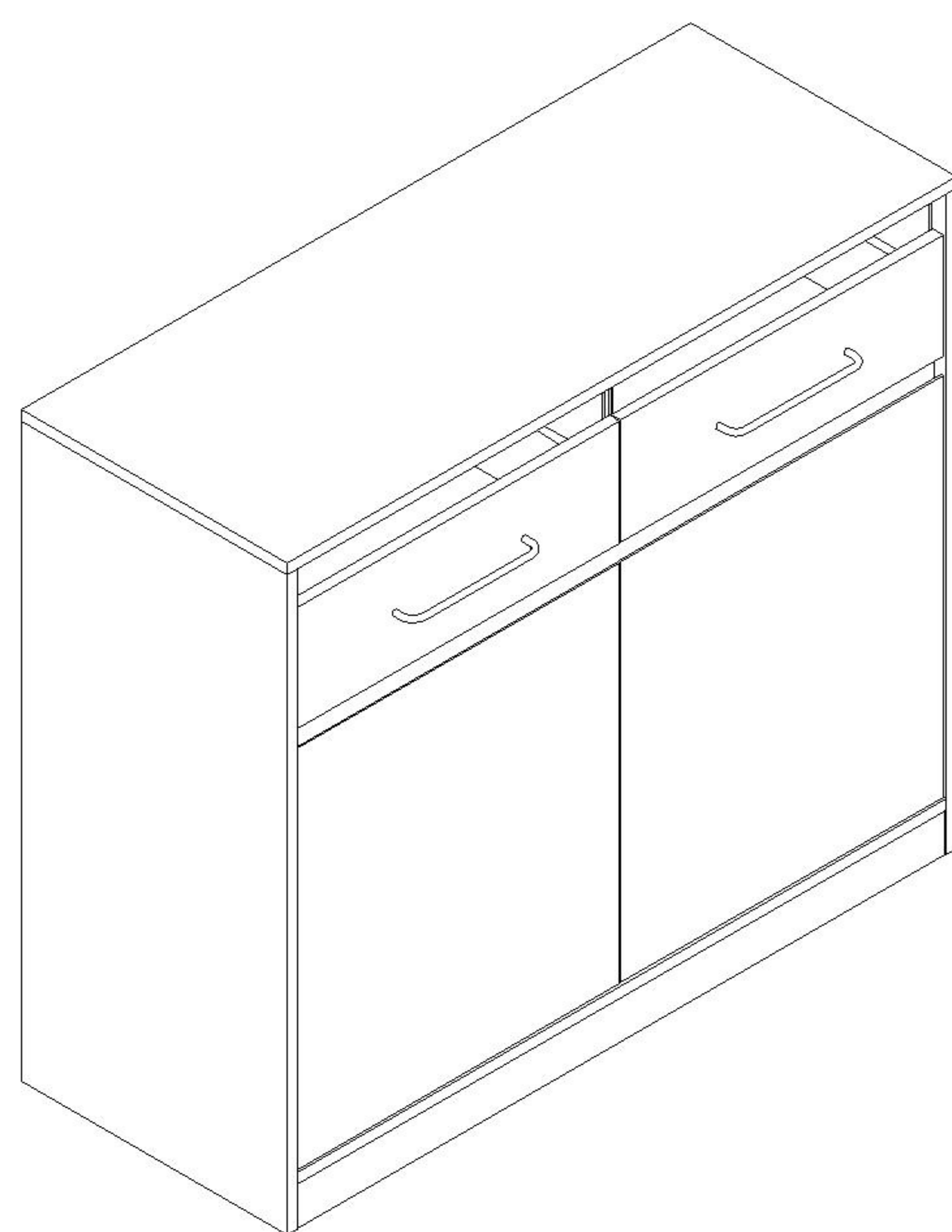
LINSY 林氏家居

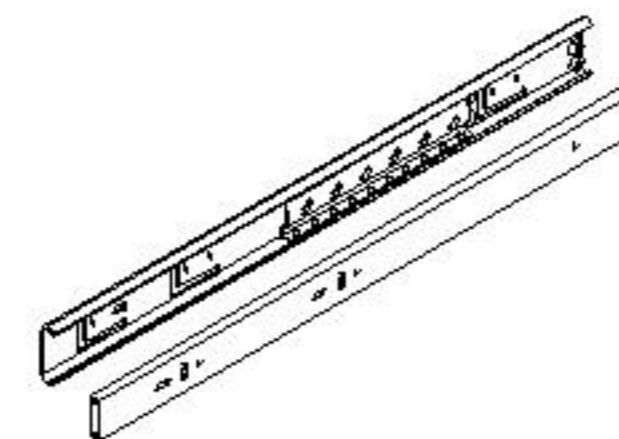
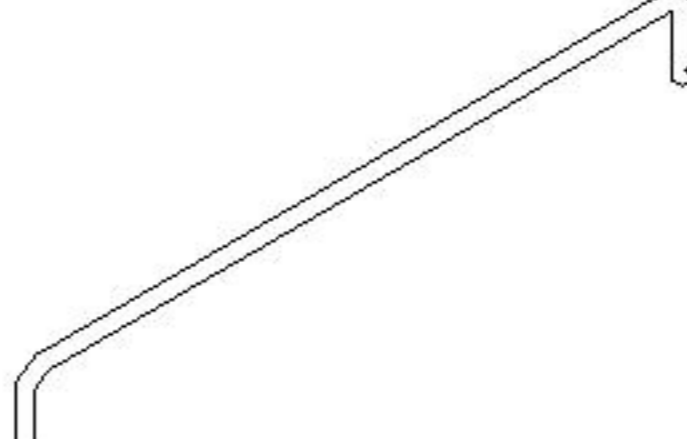
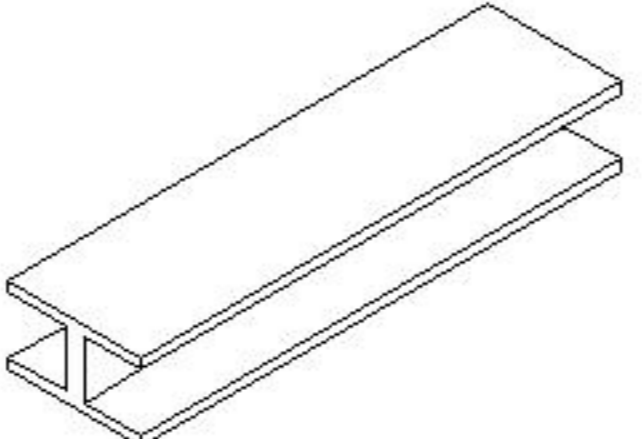
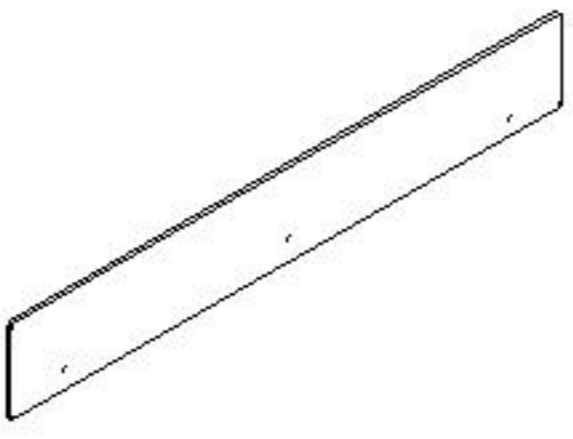
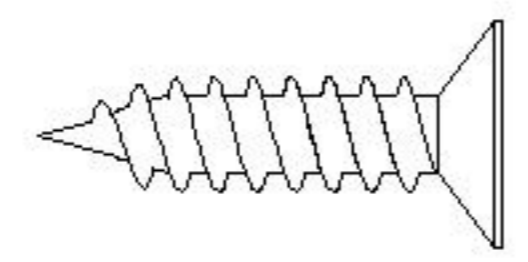
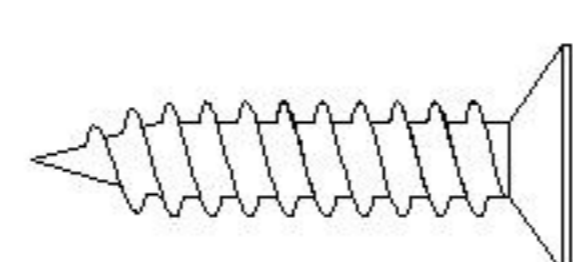
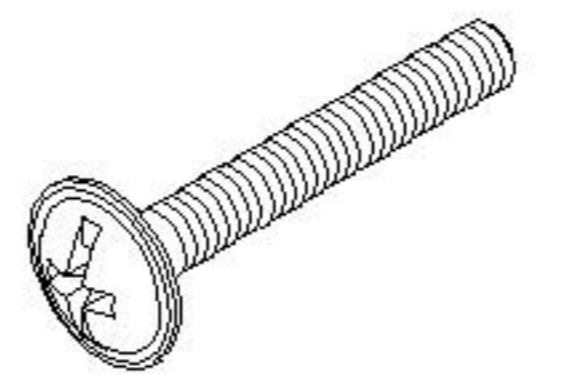
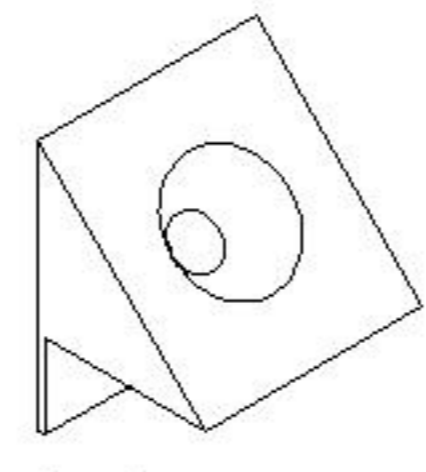
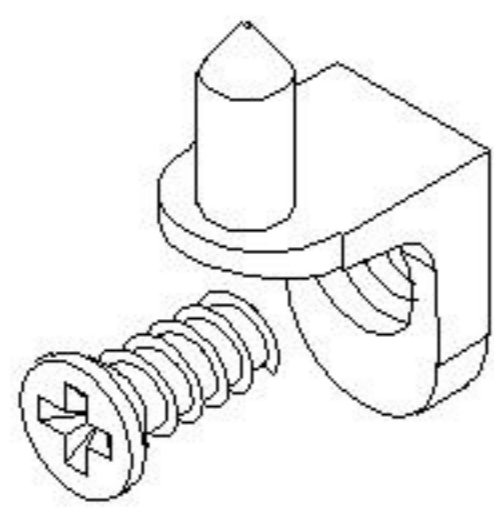
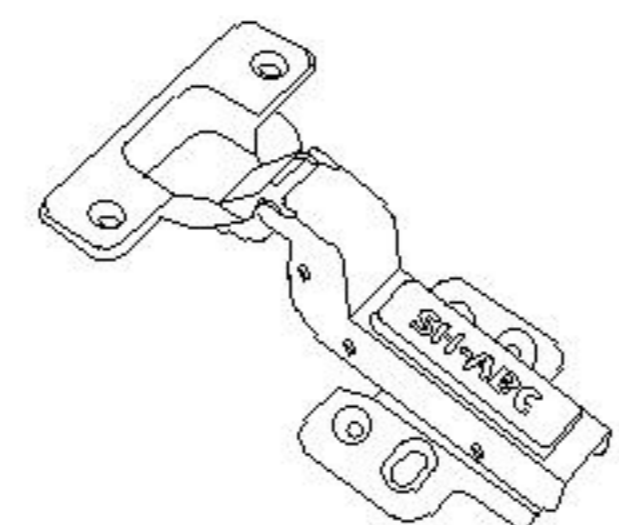
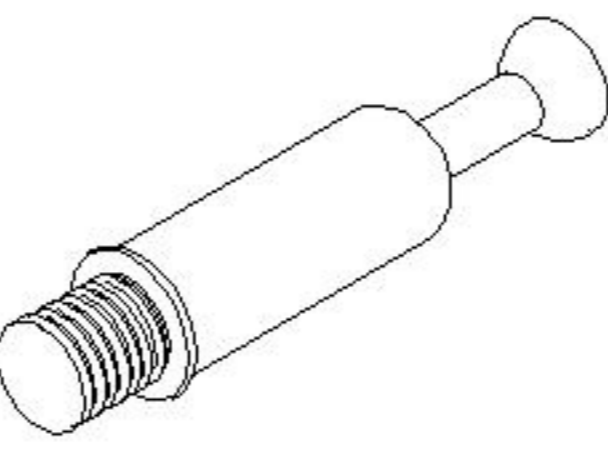

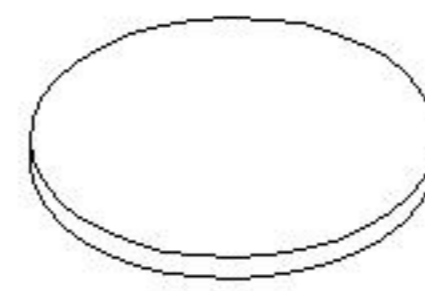
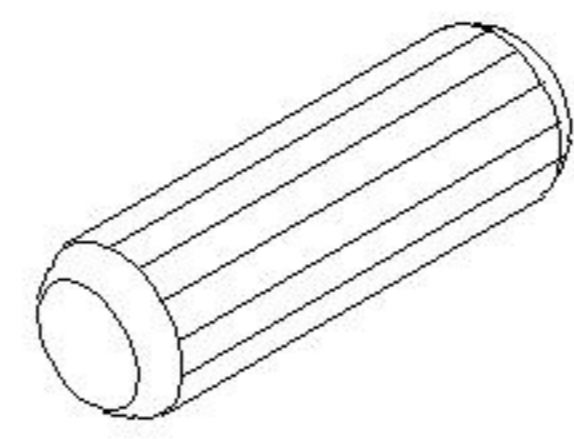
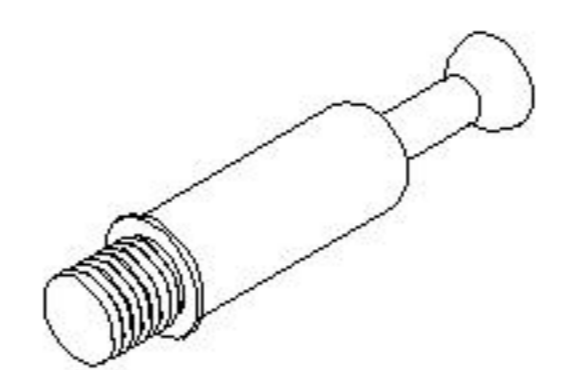
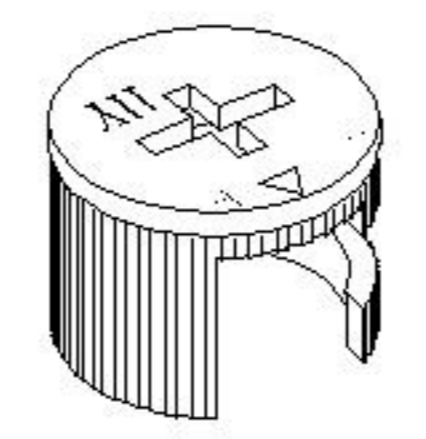
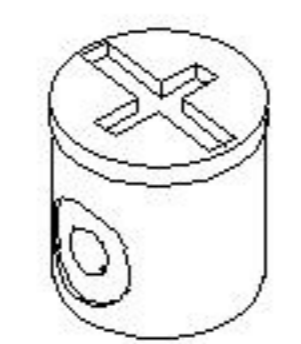
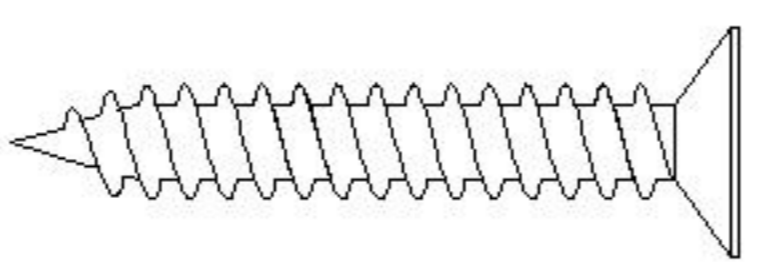
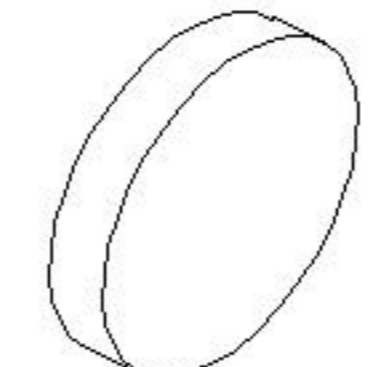
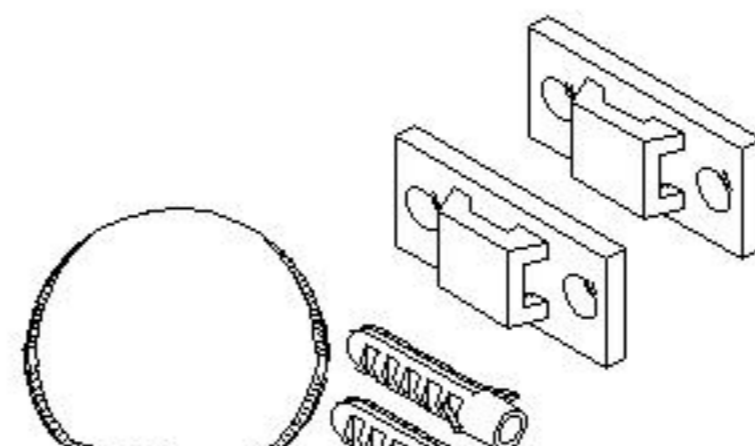
五金表/Hardware list

部件表/Parts List

安装示意图/Assembly Instruction

产品名称 Model NO.	OW1T-A
产品规格 Specification	1000*427*873 mm
安装工具 Tool	安装人数 Installer
	



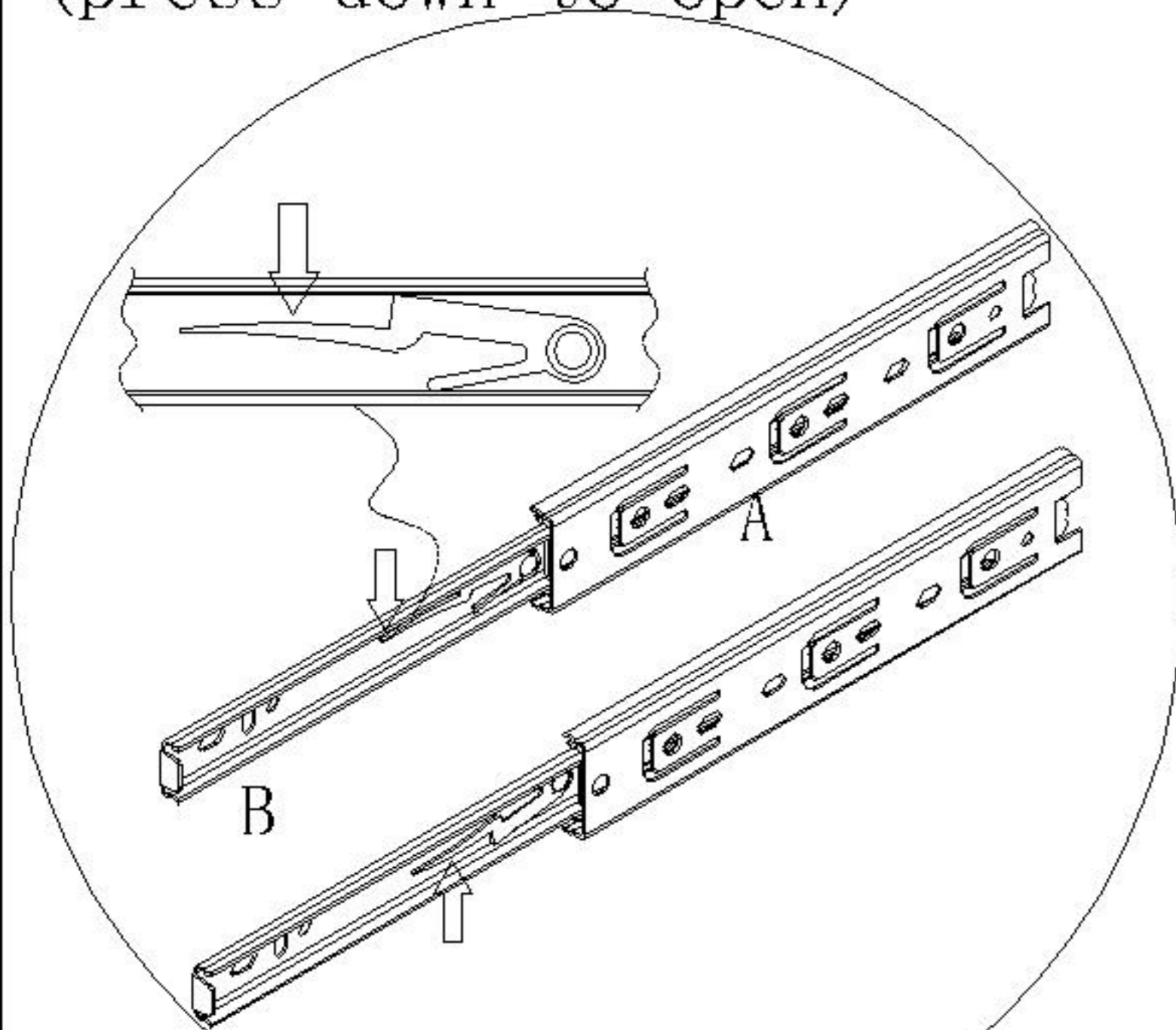
 (A)* 2 三节滚珠导轨-10" three-section ball rail	 (B)* 2 拉手 Handle	 (C)* 1 夹板条L=967mm Backplane slot	 (D)* 2 抽面玻璃 Drawing surface glass
 (E)* 25 自攻螺丝M3.5x12mm Self-tapping screw	 (F)* 19 自攻螺丝M3.5x16mm Self-tapping screw	 (G)* 4 拉手螺丝-M4x20mm pulling screw	 (H)* 13 背板扣 Back Plate Buckle-White
 (I)* 8 层板托 shelf support	 (J)* 4 缓冲门铰大弯-Ø35 Hinge-big bends	 (K)* 42 二合一螺杆 2-in-1-screw	 (L)* 42 大三合一锁饼 Three-in-one large lock
 (M)* 9 灰色毛毡脚垫 Footrest - Grey	 (N)* 21 木榫Ø8x30mm wood tenon	 (O)* 8 小二合一杆 small two-in-one rod	 (P)* 8 小三合一锁饼 small three-in-one lock
 (Q)* 8 塑料螺母 Plastic Nut	 (R)* 8 自攻螺丝M4x40mm Self-tapping screw	 (S)* 6 镜钉 Mirror nail	 (T)* 1 家具防倒器-白色 Anti-fall device white

编号NO.	名称Name	规格 (mm) Specification	数量 QTY	材质Material
①	面板 Top panel	1000*398*15	1	人造板WBP
②	右侧板 Side board(R)	855*397*15	1	人造板WBP
③	左侧板 Side board(L)	855*397*15	1	人造板WBP
④	底板 Bottom board	968*396*15	1	人造板WBP
⑤	前脚条 Front foot strip	968*58*15	2	人造板WBP
⑥	中脚条 Middle foot strip	364*58*15	1	人造板WBP
⑦	上拉条 Top brace	968*58*15	1	人造板WBP
⑧	后拉条 Back brace	968*88*15	1	人造板WBP
⑨	前拉条 Front brace	968*88*15	1	人造板WBP
⑩	上隔板 Upper clapboard	354*212*15	1	人造板WBP
⑪	下隔板 Down clapboard	555*344*15	1	人造板WBP
⑫	背板 Back board	978*395*5	2	人造板WBP
⑬	活动层板 Movable shelf	475.5*344*15	2	人造板WBP
⑭	左门板 Door board(L)	545*481*15	1	人造板WBP
⑮	右门板 Door board(R)	545*481*15	1	人造板WBP
⑯	右抽屉面板 Drawer's panel (R)	481*158*15	1	人造板WBP
⑰	左抽屉面板 Drawer's panel (L)	481*158*15	1	人造板WBP
⑱	抽屉右侧板 Drawer's side board (R)	295*110*12	2	人造板WBP
⑲	抽屉左侧板 Drawer's side board (L)	295*110*12	2	人造板WBP
⑳	抽屉后板 Drawer's Back board	426.5*110*12	2	人造板WBP
㉑	抽屉底板 Drawer's Bottom board	436.5*291*5	2	人造板WBP

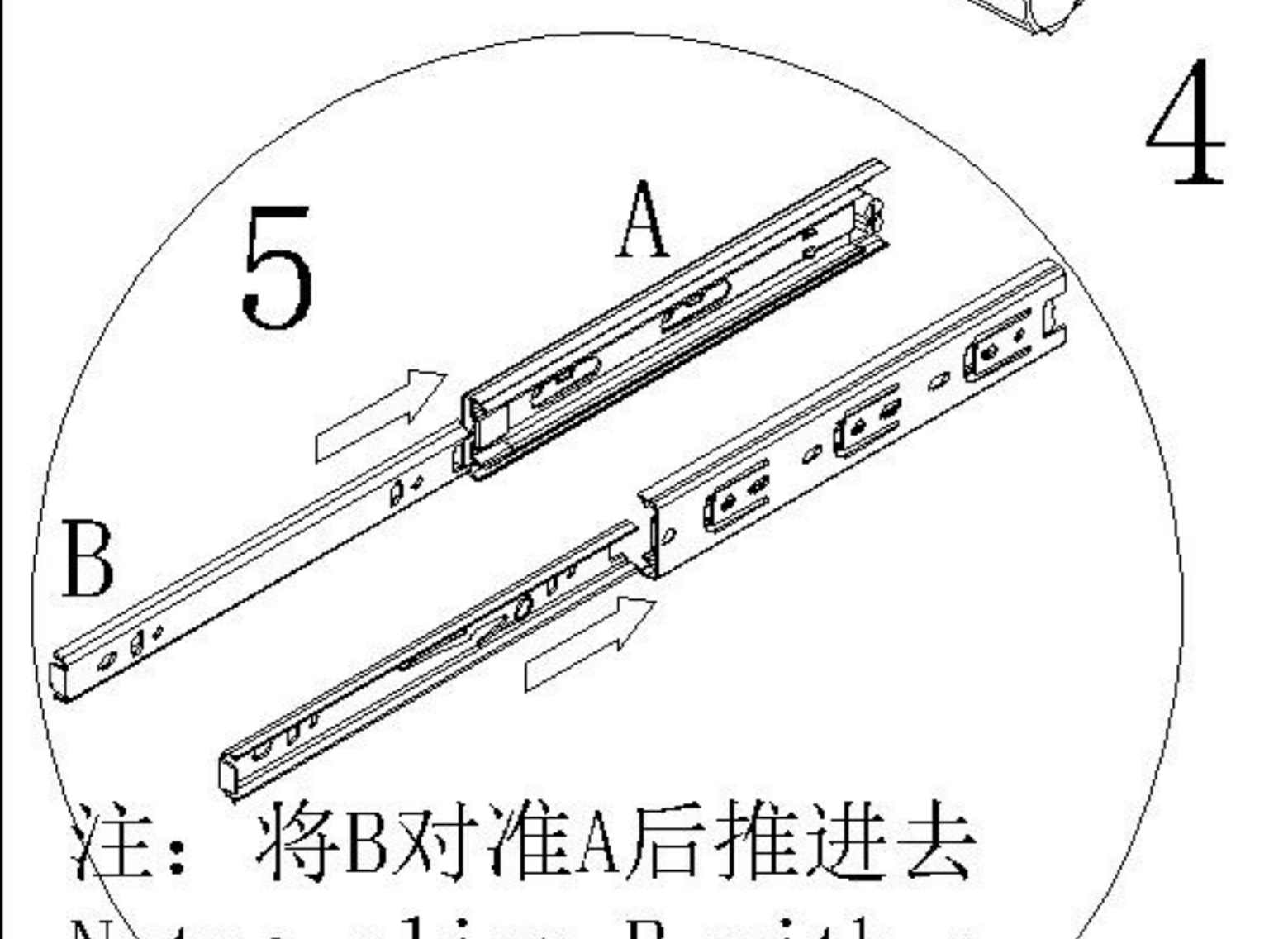
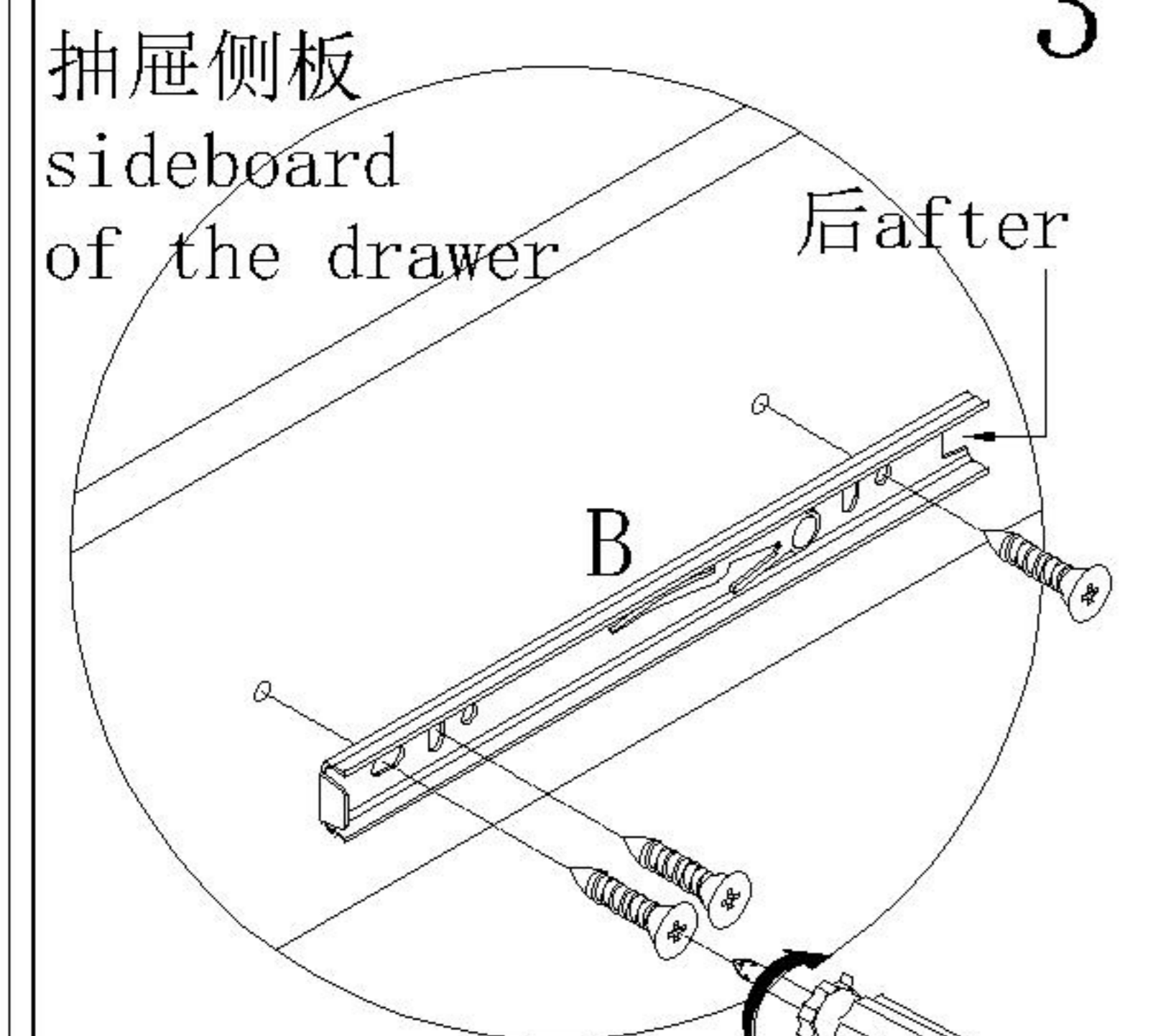
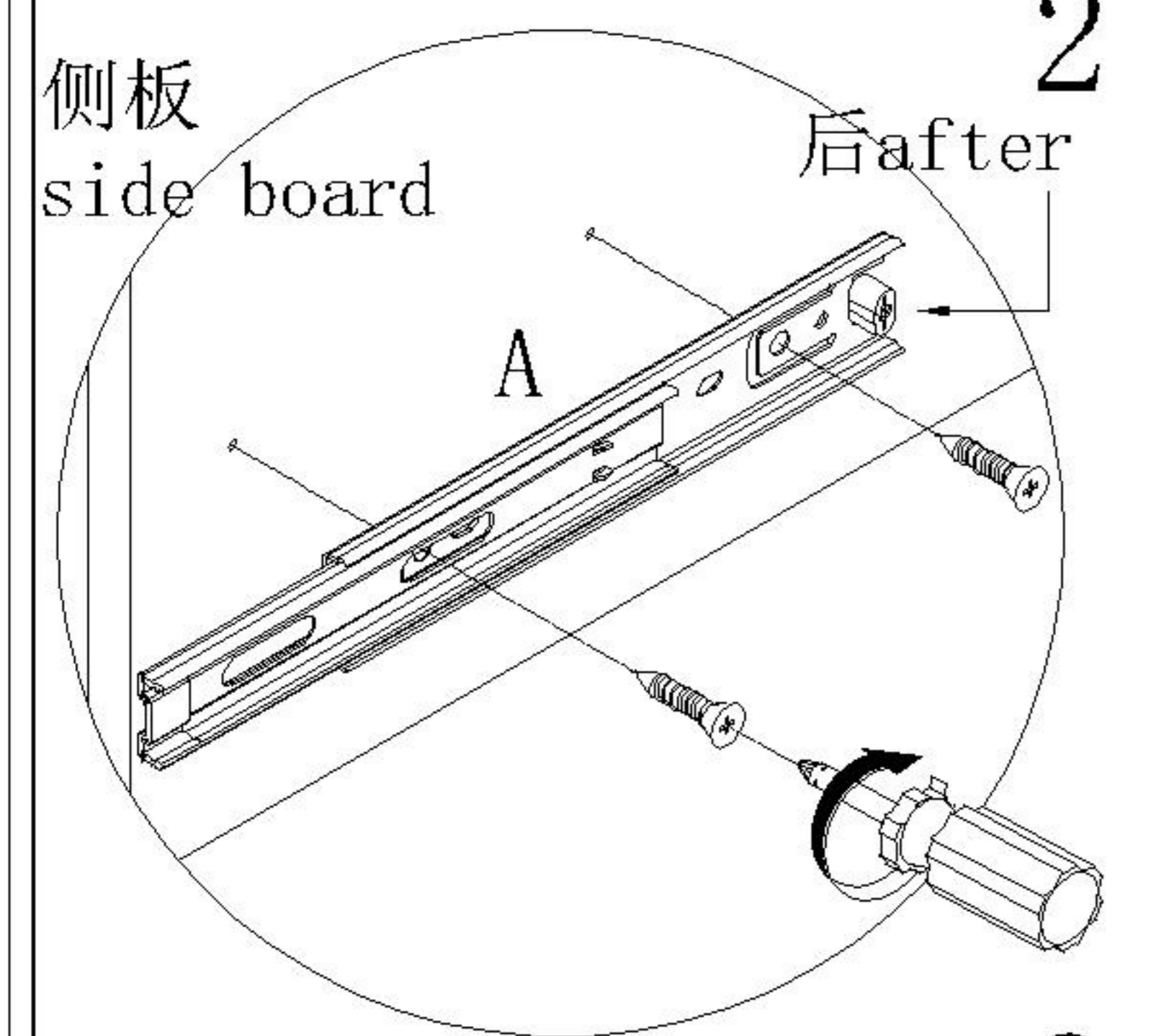
OW1T-A

安装方法/
Installation method

阀门开关(下压为开)
Valve switch
(press down to open)

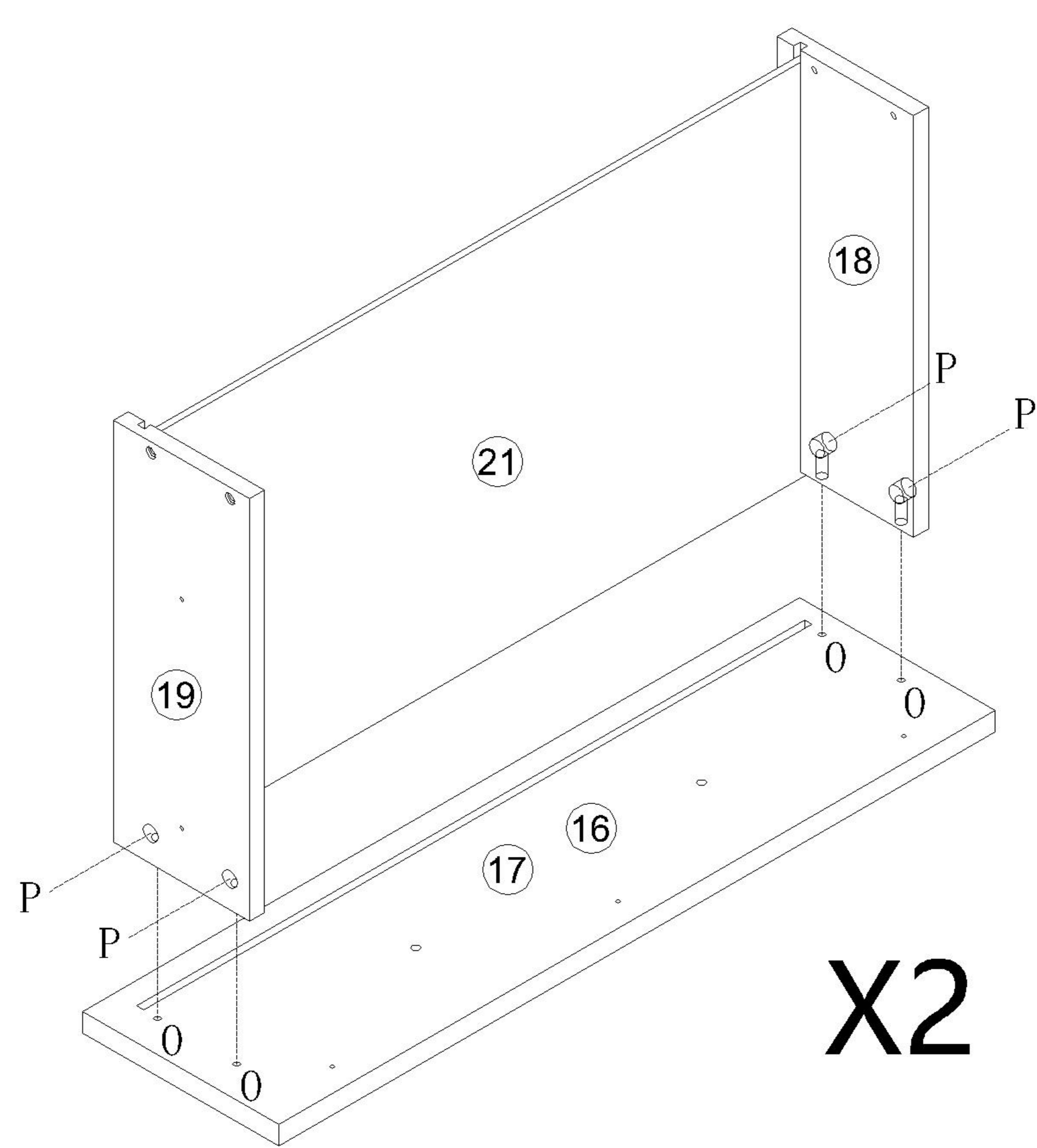


注: 先将A与B拆下来
Note: remove a and B first

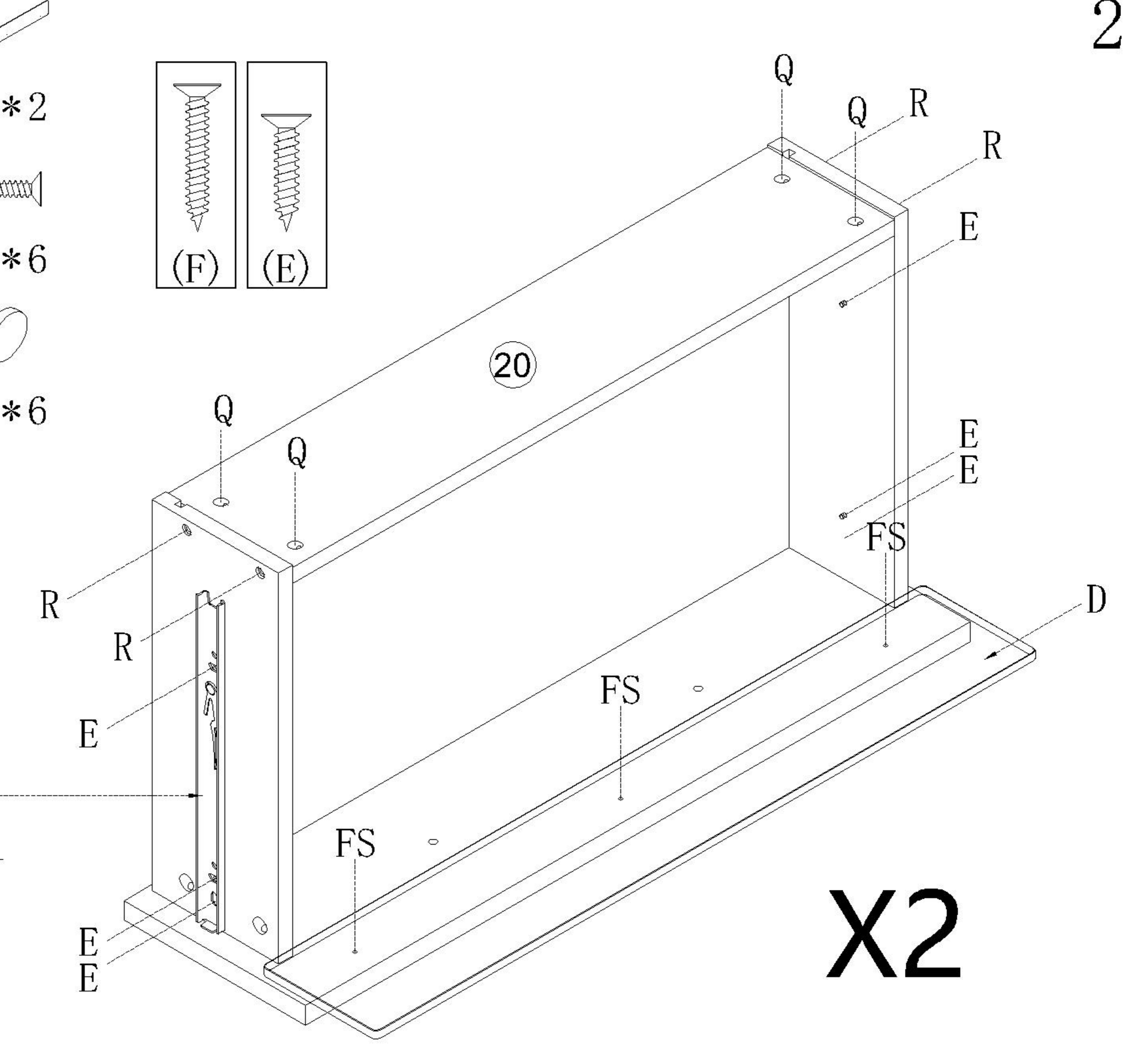
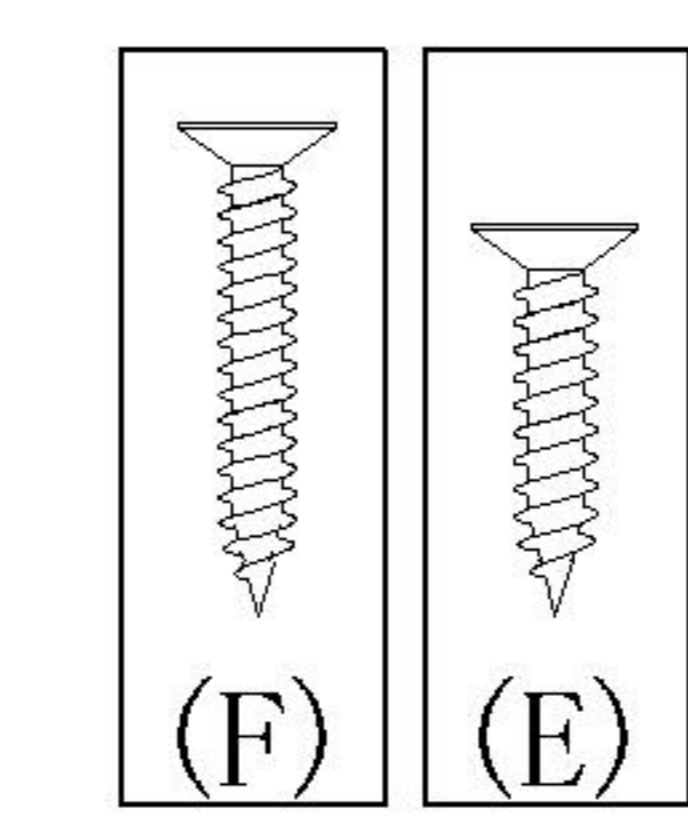


注: 将B对准A后推进去
Note: align B with a
and push it in
三节滚珠导轨
three-section ball rail

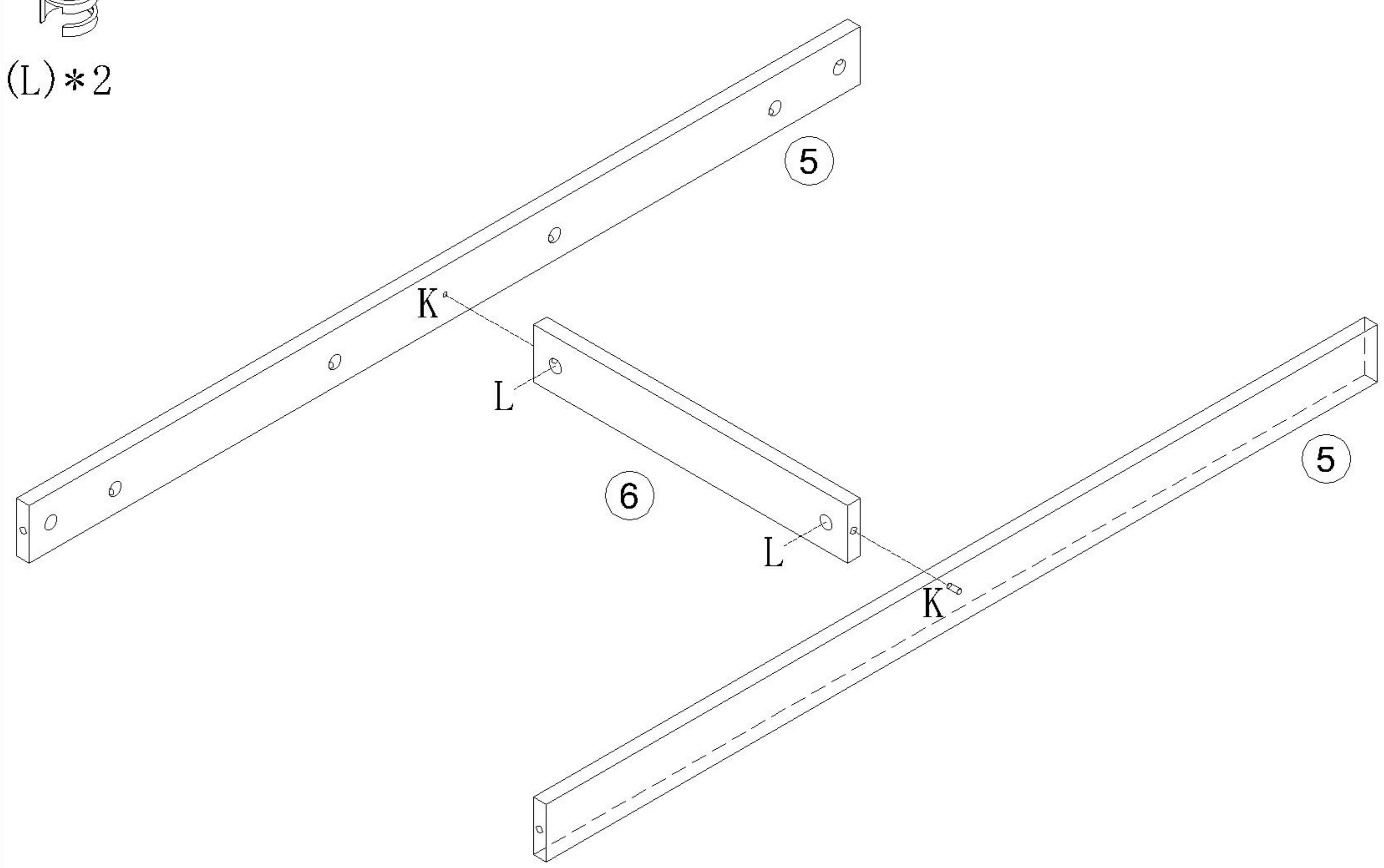
- (O)*8
- (P)*8



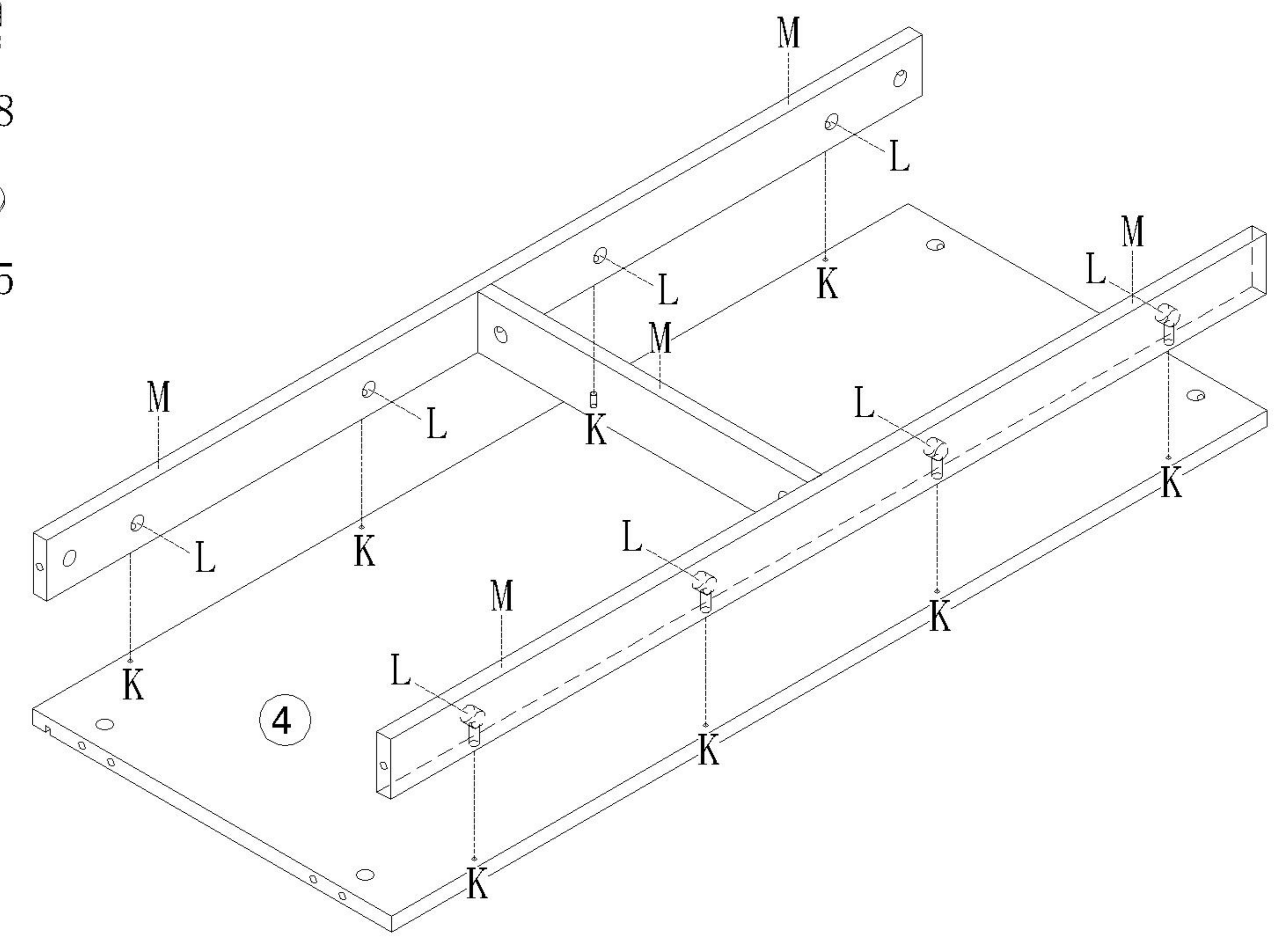
- (A)*2
- (D)*2
- (E)*12
- (F)*6
- (Q)*8
- (S)*6
- (R)*8



- (K)*2
- (L)*2

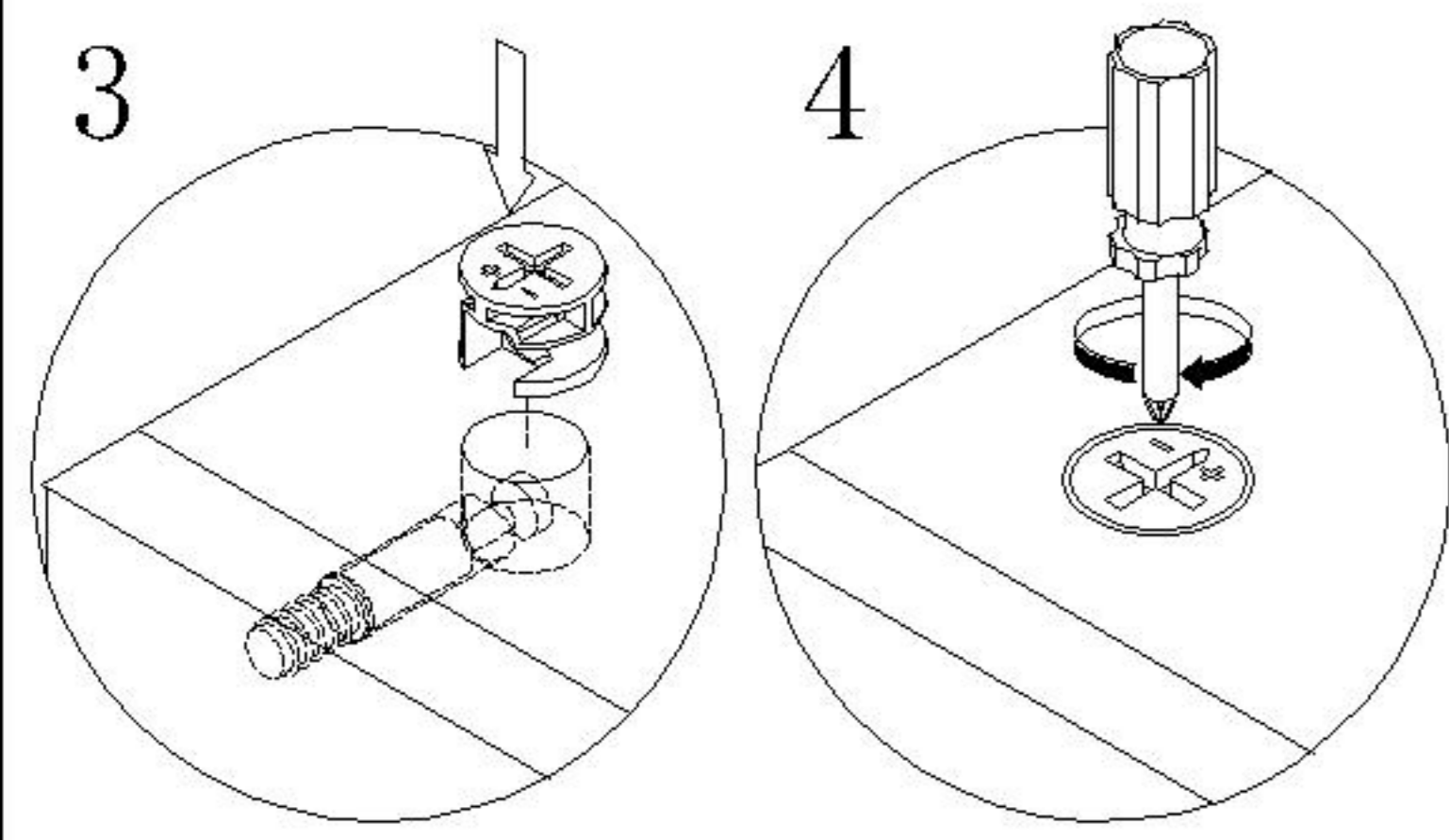
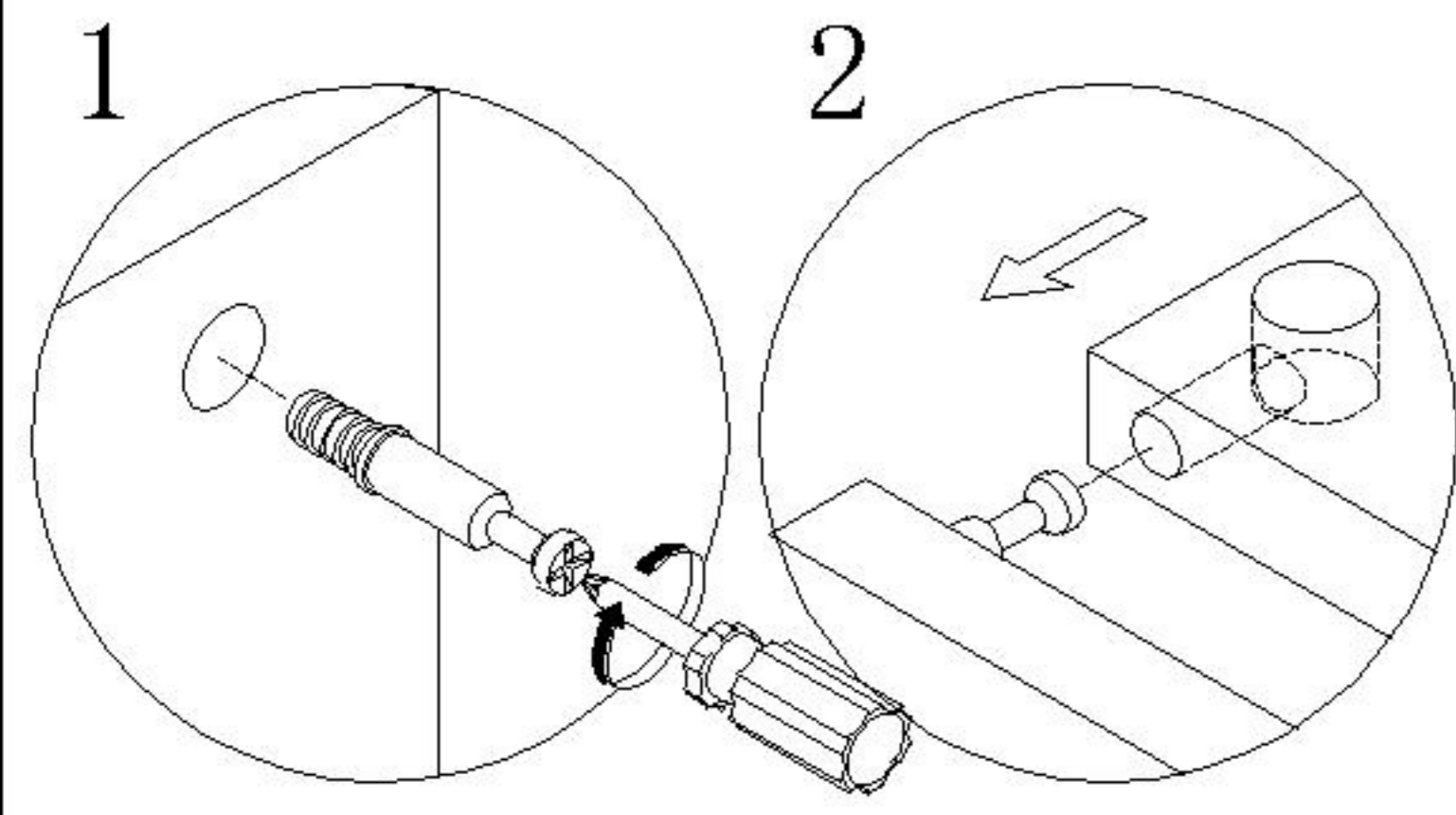


- (K)*8
- (L)*8
- (M)*5

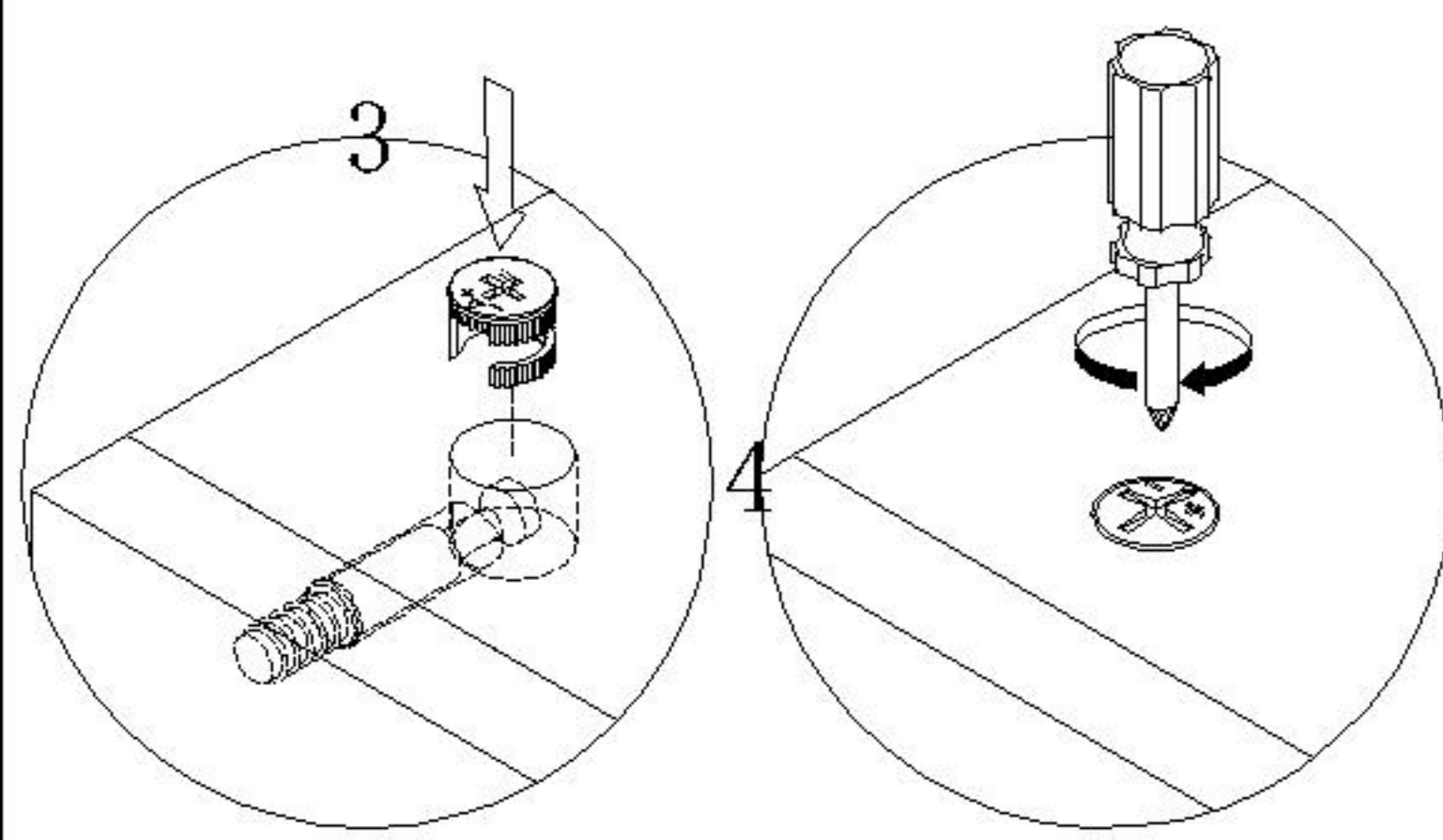
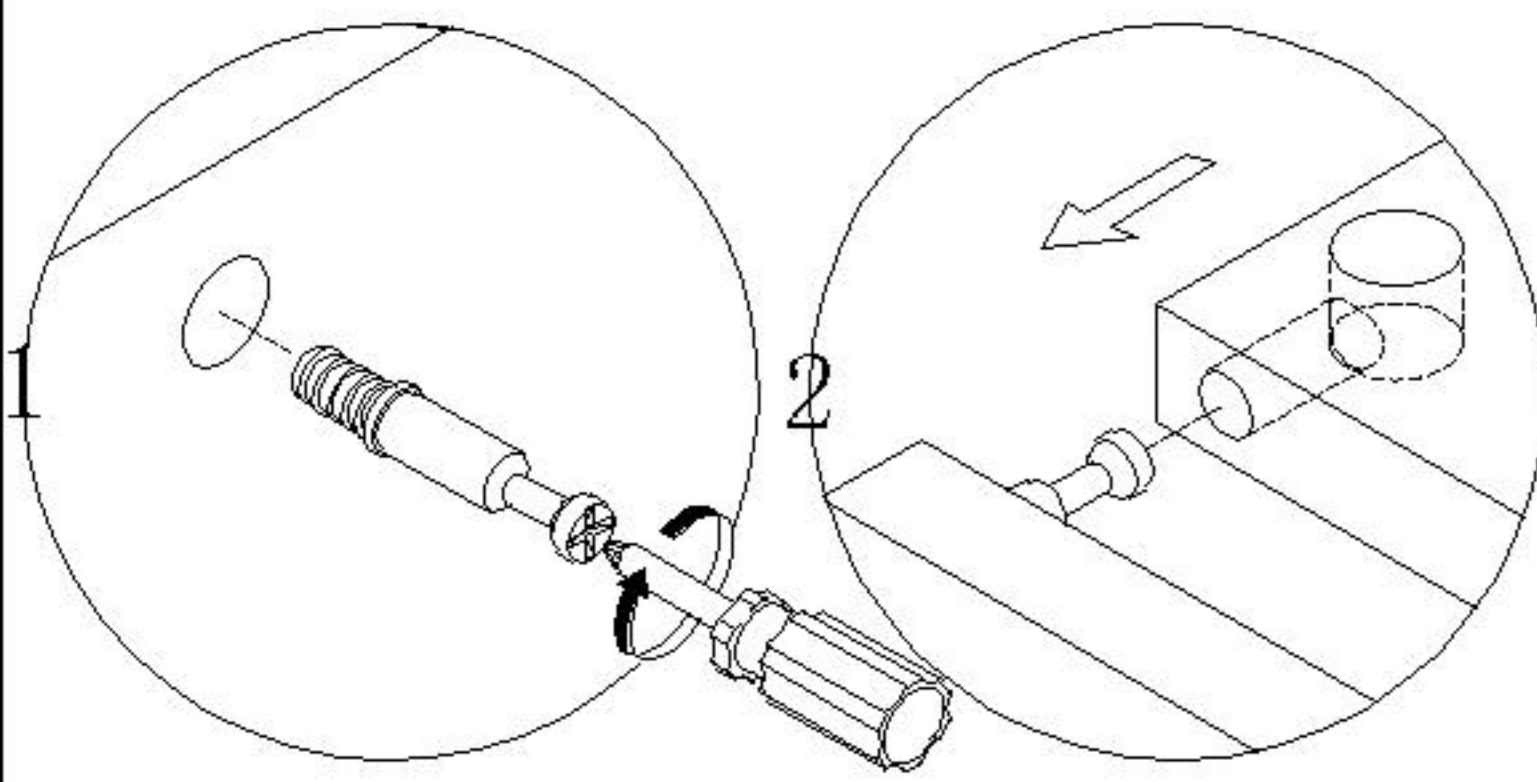


OW1T-A

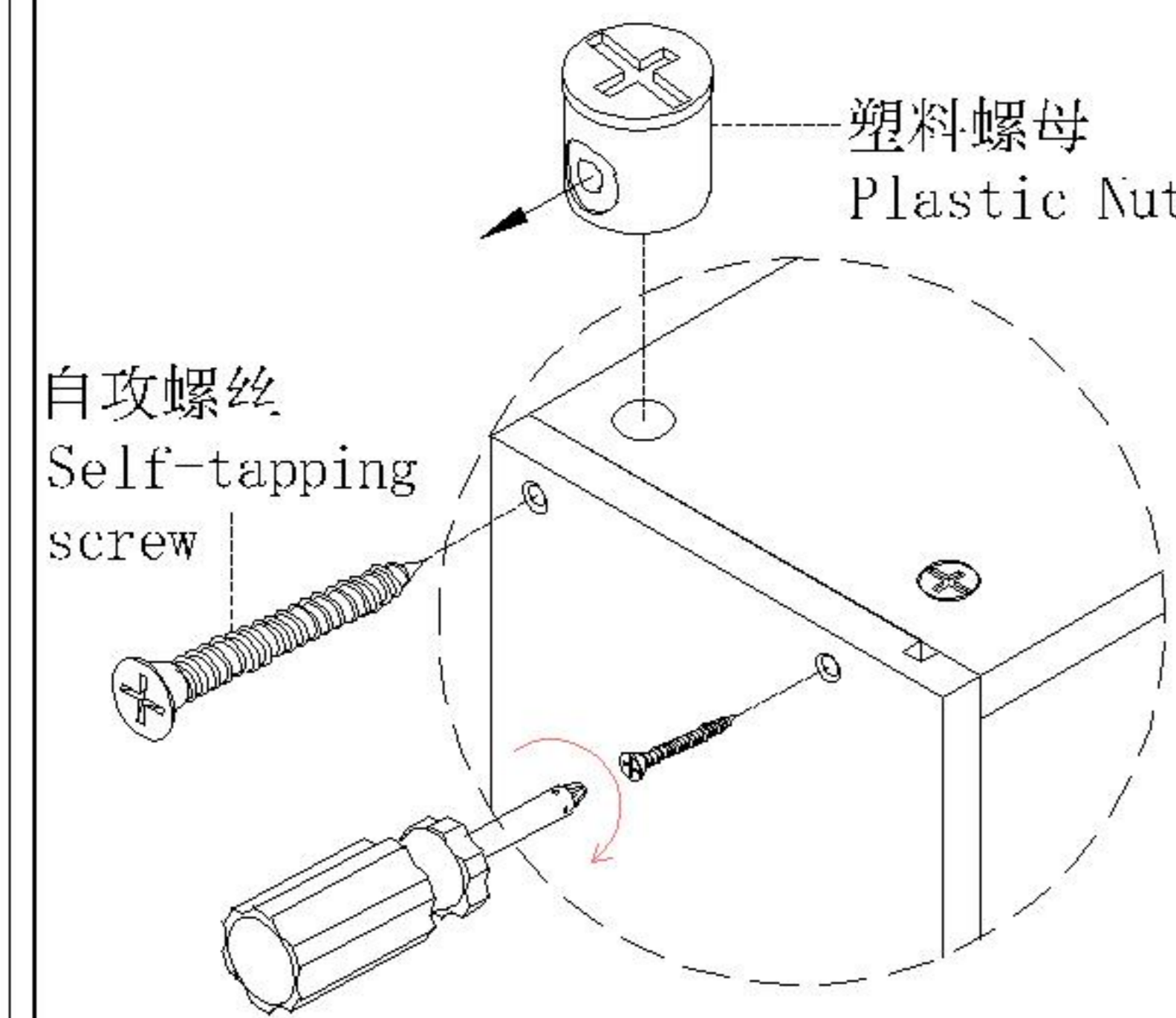
安装方法/
Installation method



大二合一
two-in-one



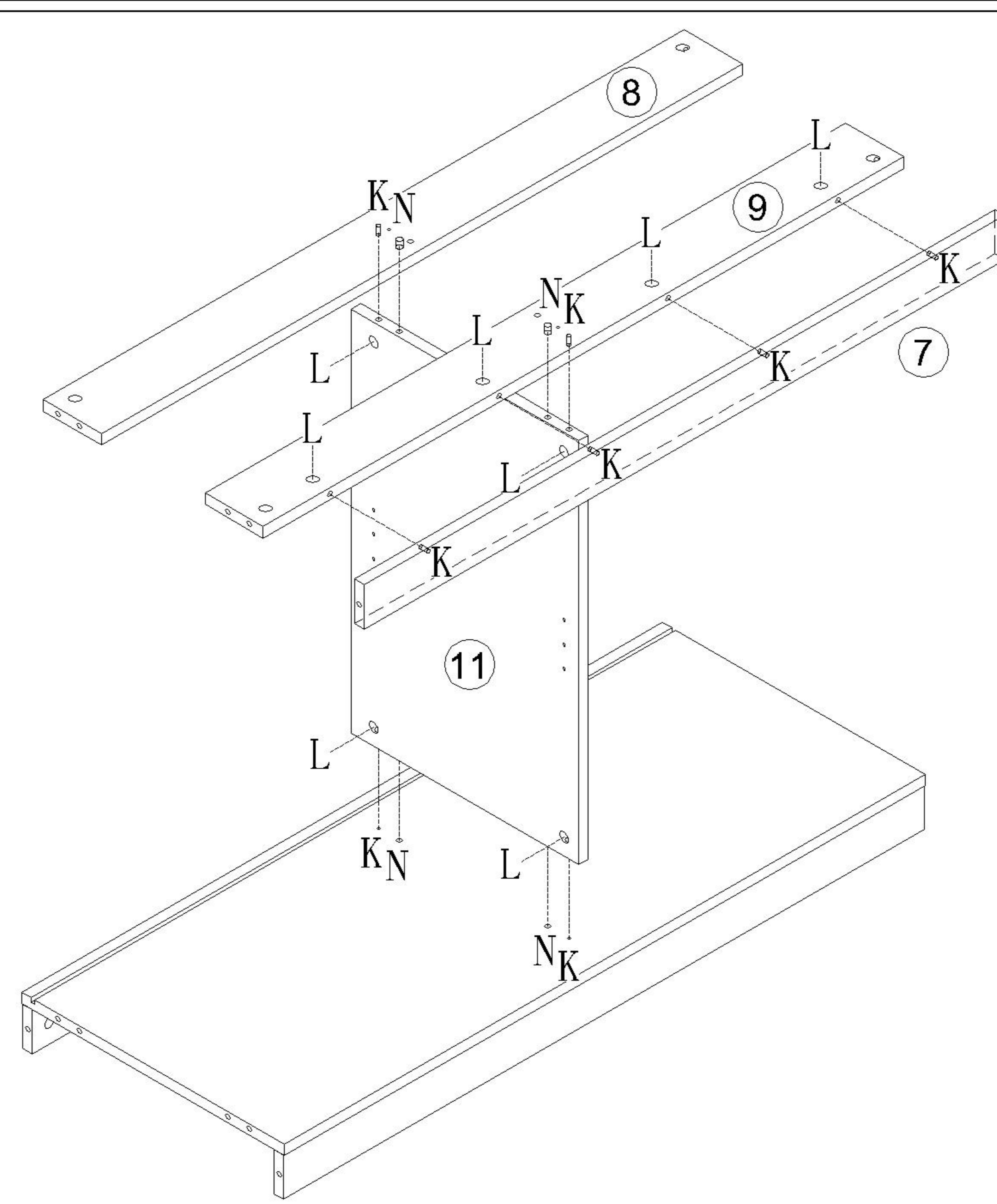
小二合一
small two-in-one



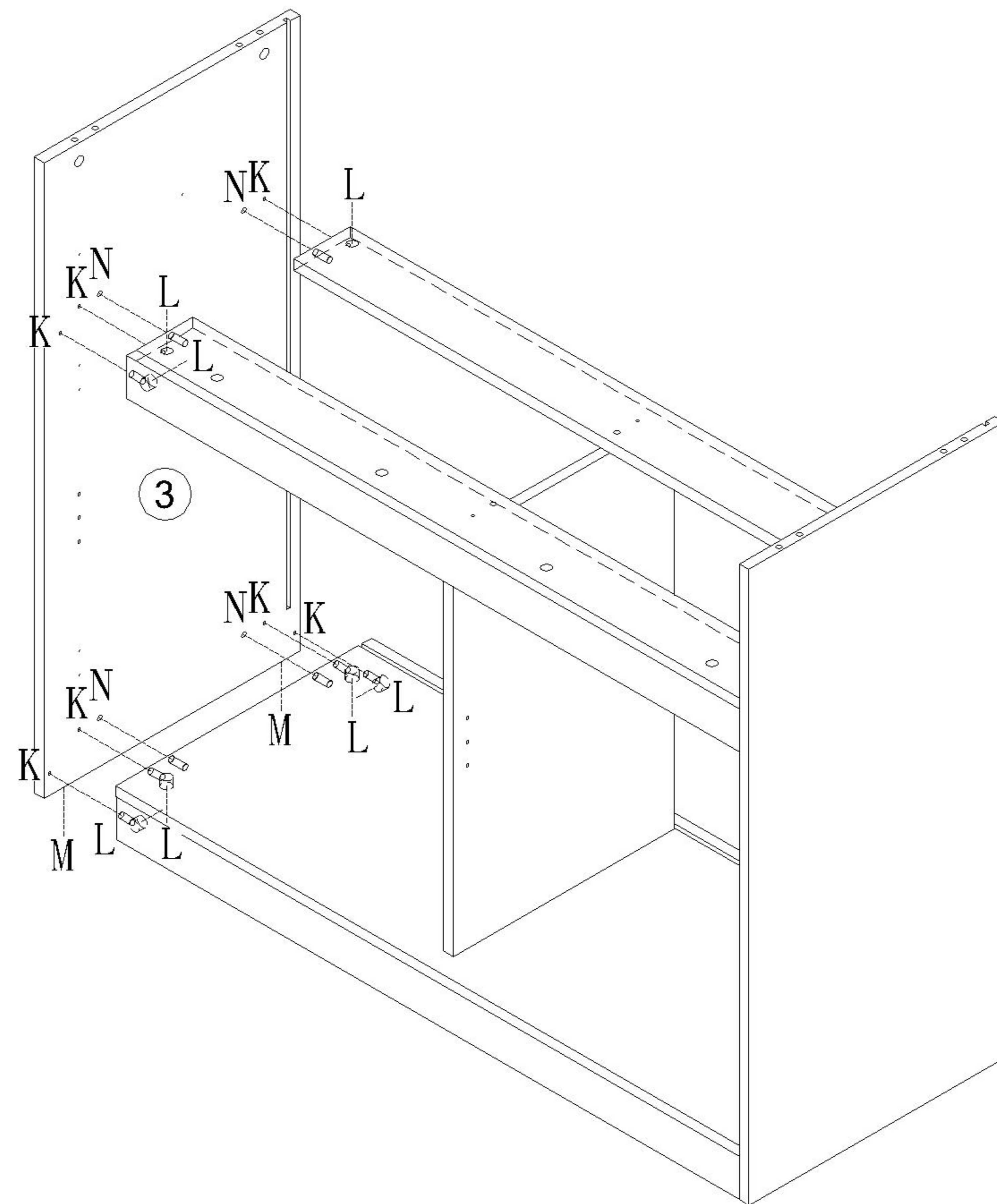
塑料螺母
Plastic Nut

- (K)*8
- (L)*8
- (N)*4

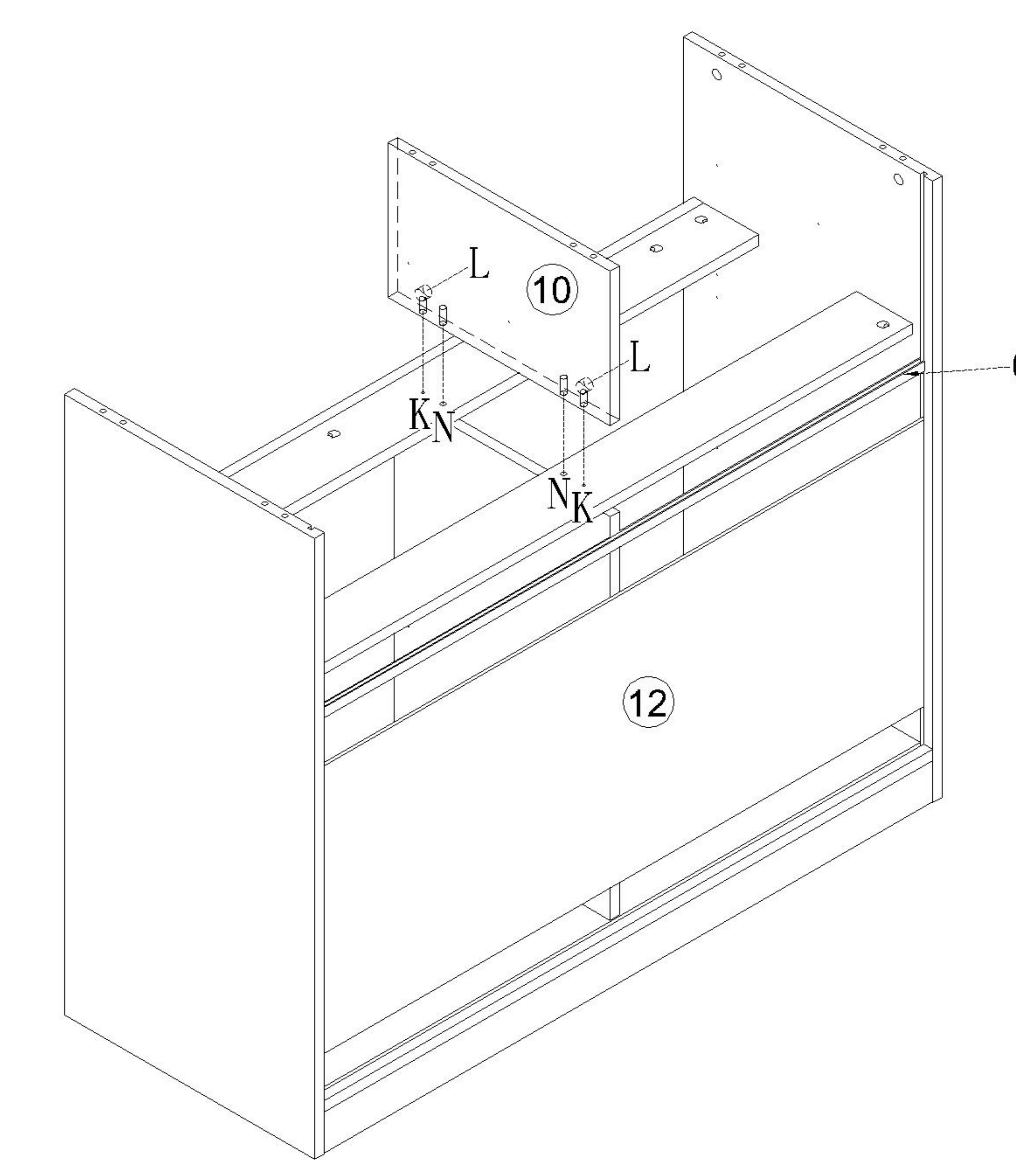
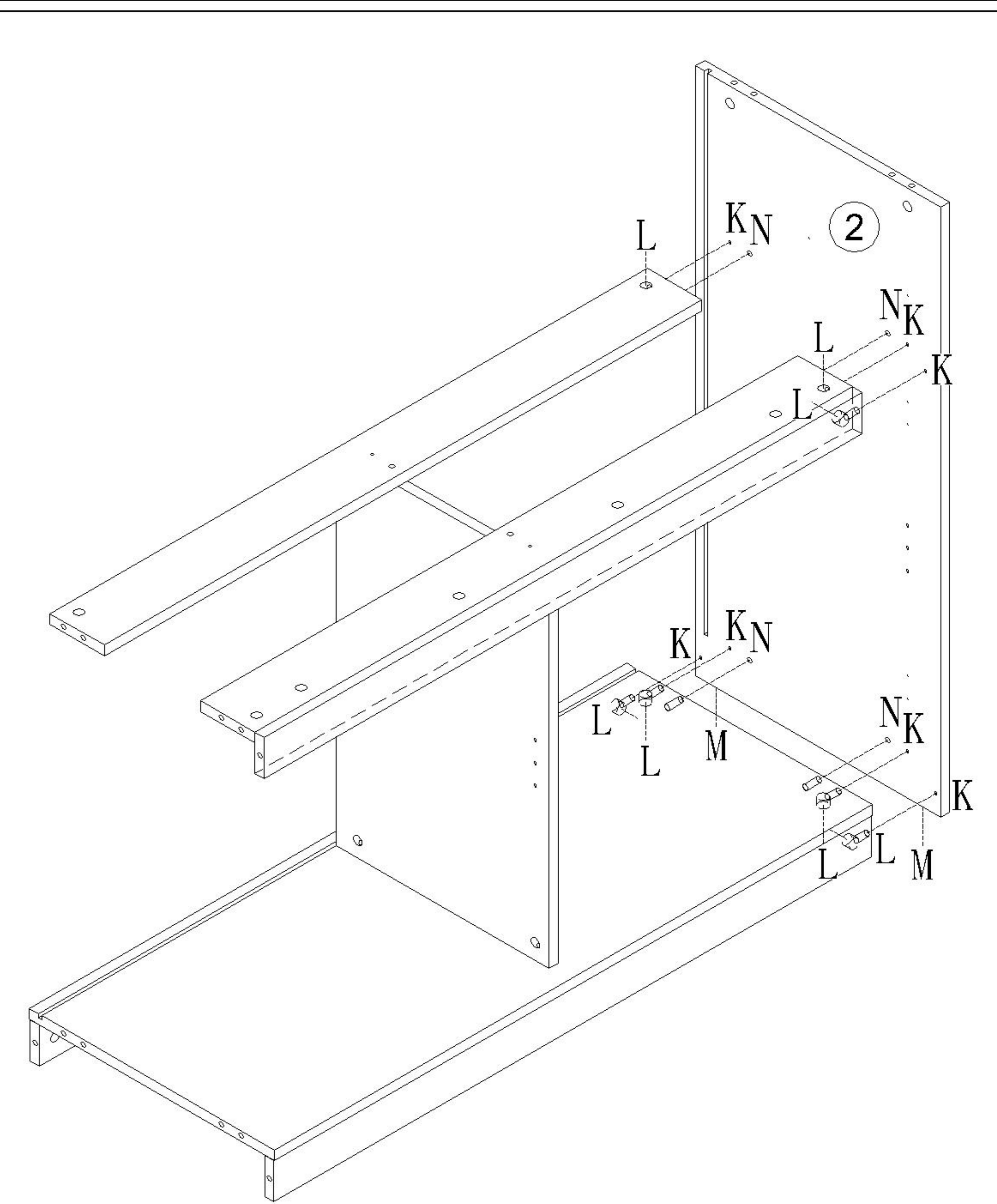
- (K)*7
- (L)*7
- (N)*4
- (M)*2



- (K)*7
- (L)*7
- (N)*4
- (M)*2



- (C)*1
- (K)*2
- (L)*2
- (N)*2

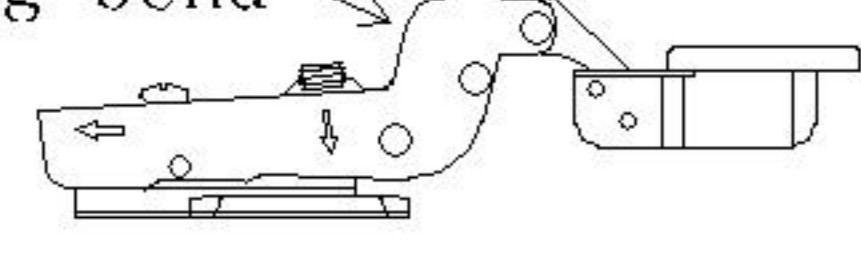


6
8

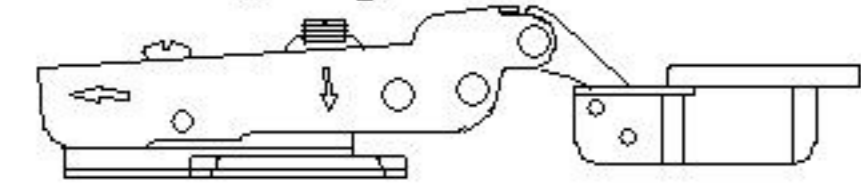
OW1T-A

安装方法/
Installation method

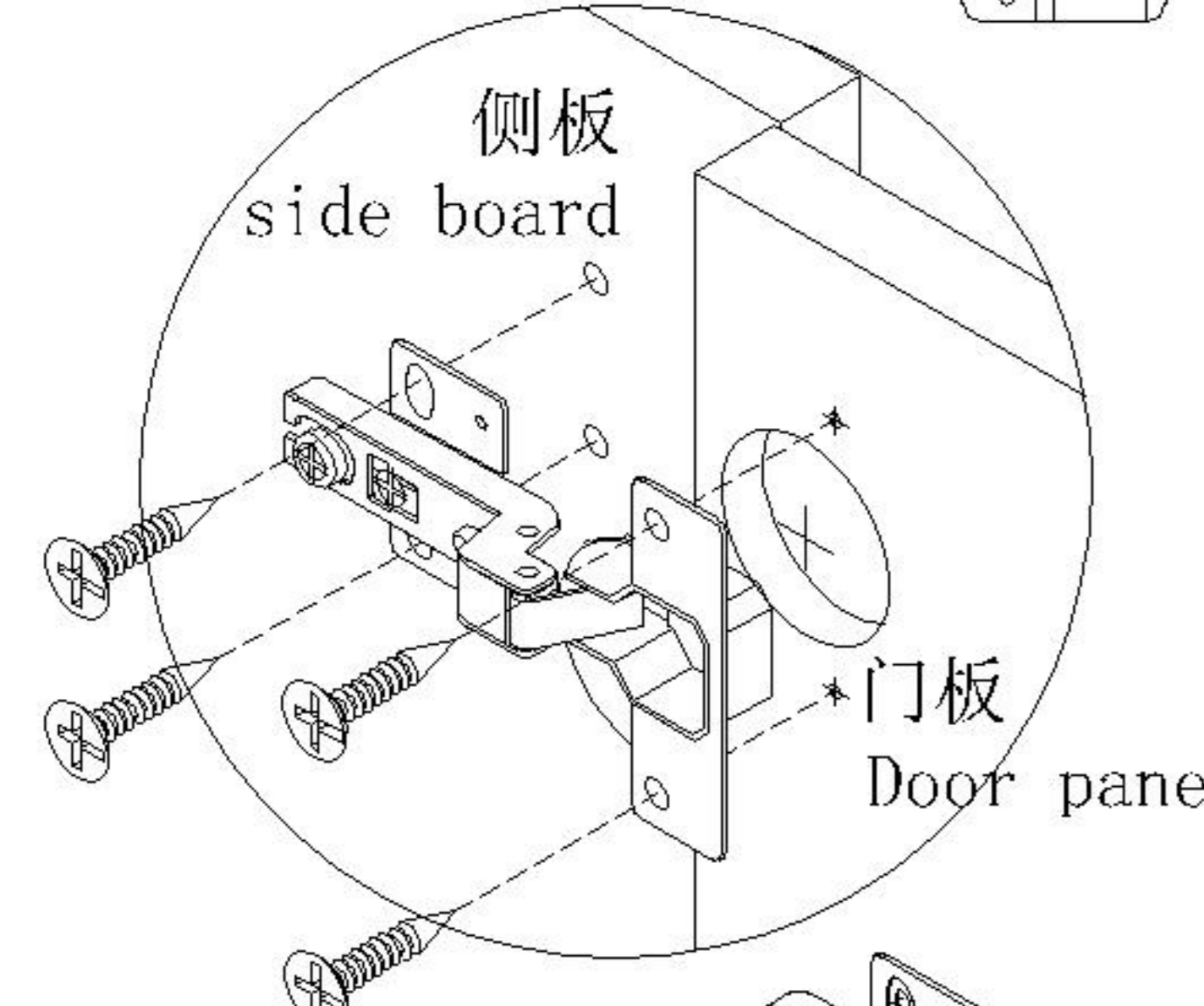
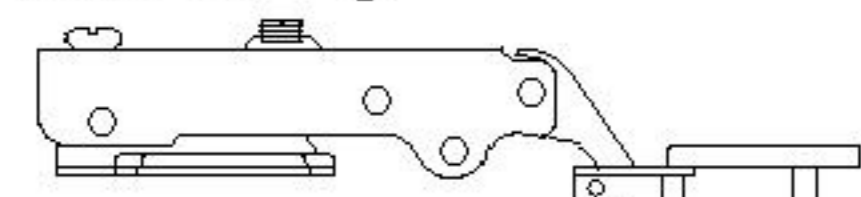
大弯big bend



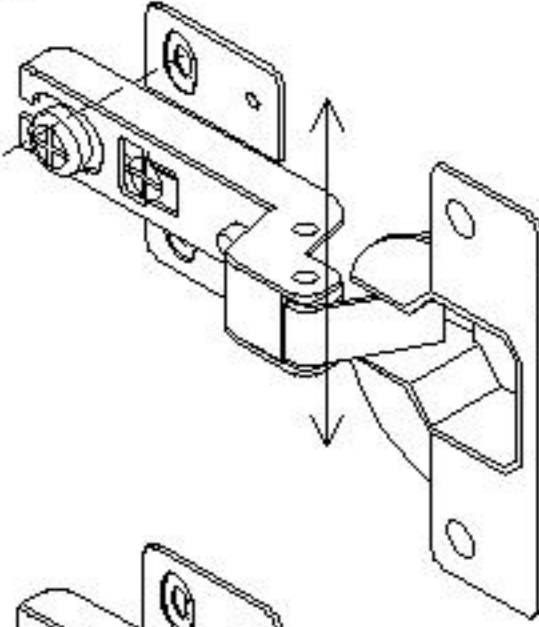
中弯middle bending



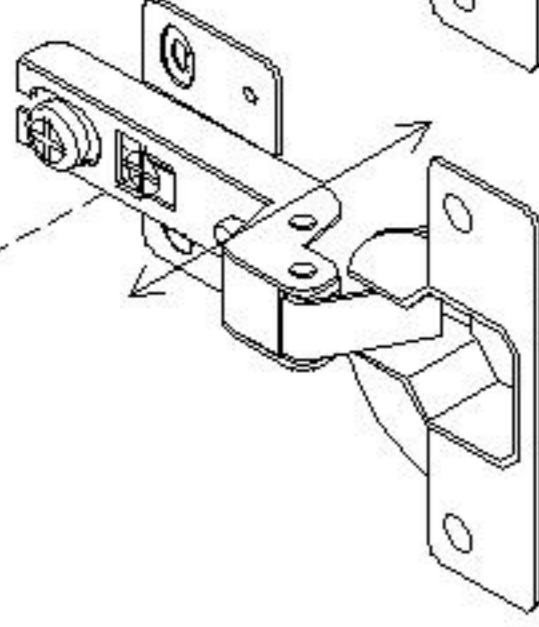
直弯straight bending



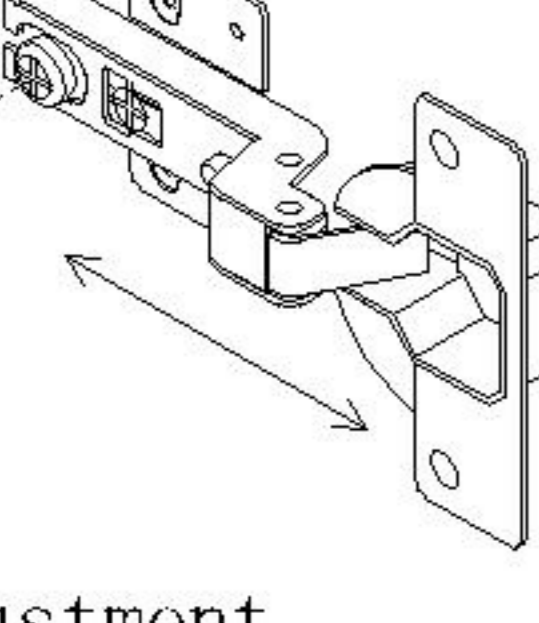
调节上下
Adjust up and down



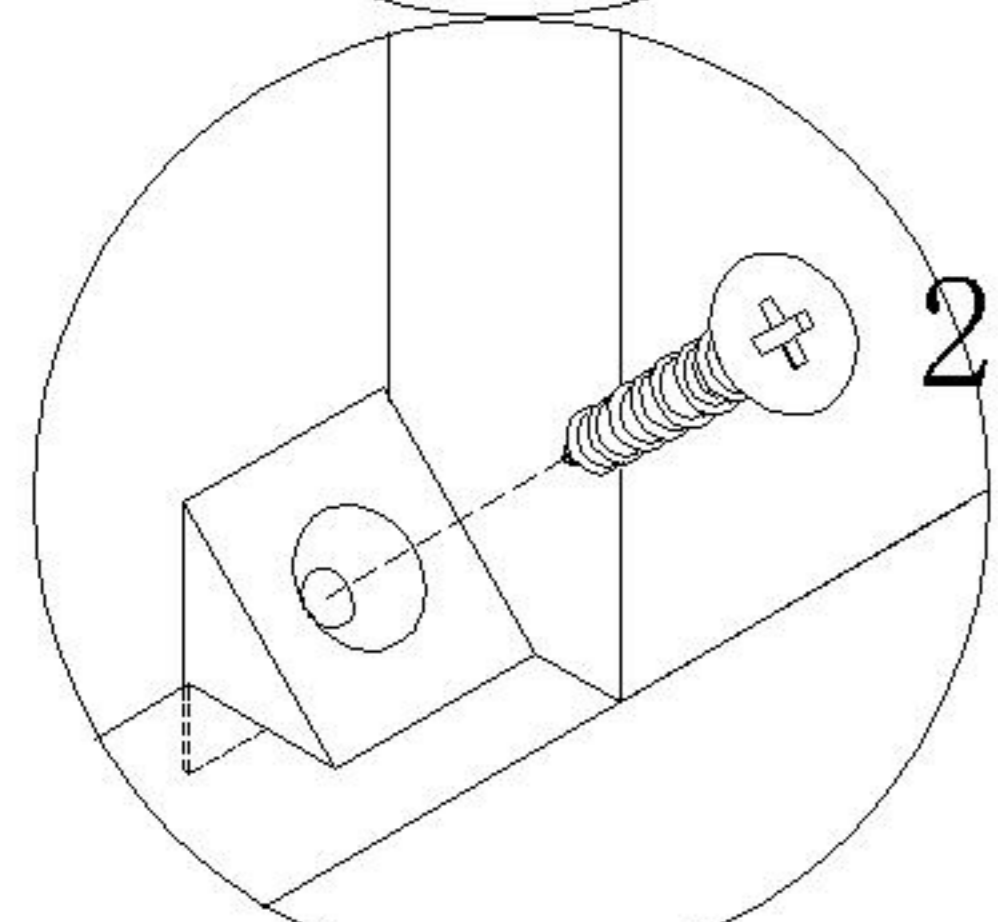
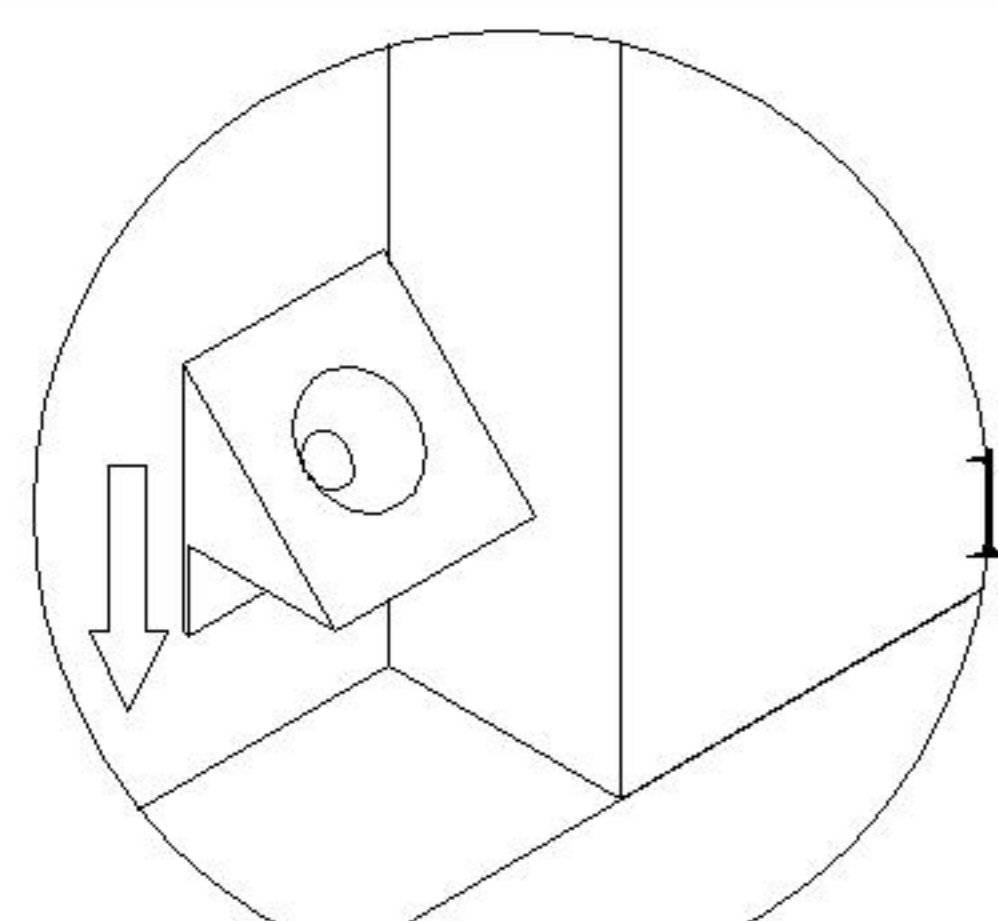
调节左右
Adjust left and right



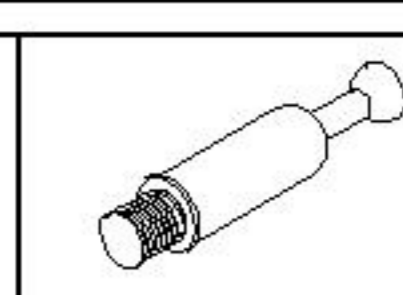
调节前后
Before and after adjustment



门铰
Hinge



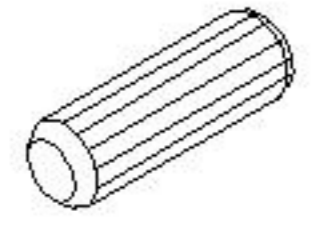
背板扣
Back Plate Buckle-White



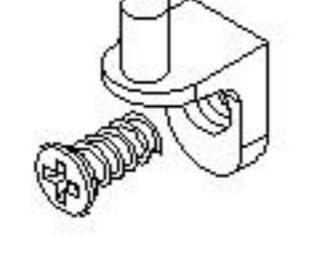
(K)*6



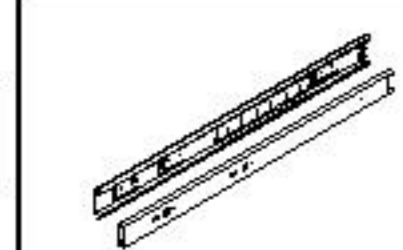
(L)*6



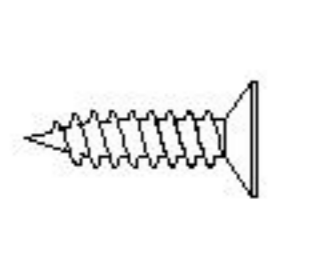
(N)*6



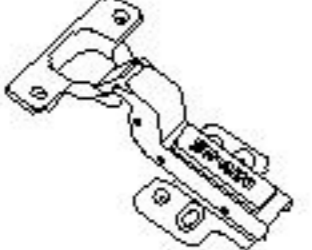
(I)*8



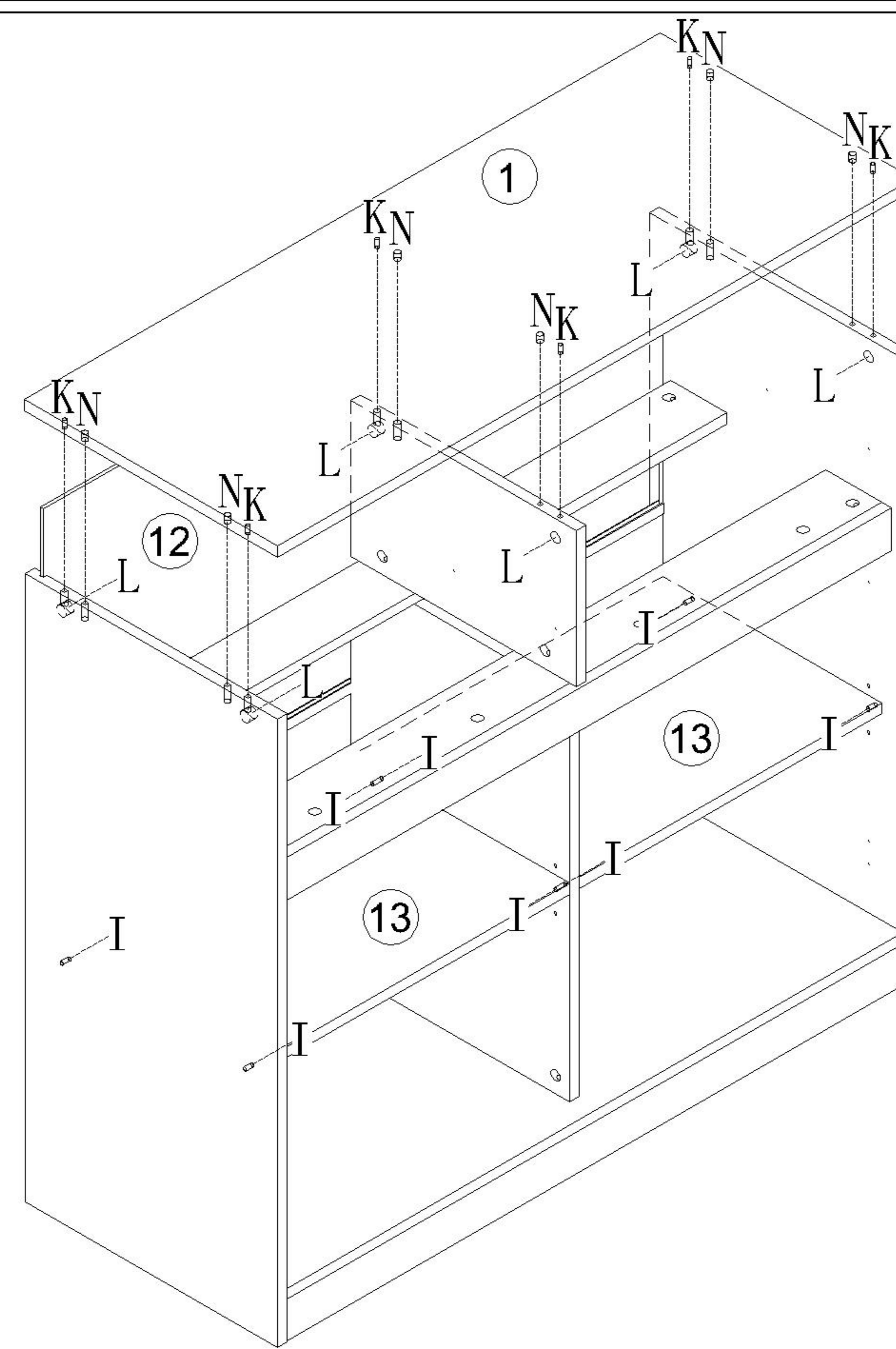
(A)*2



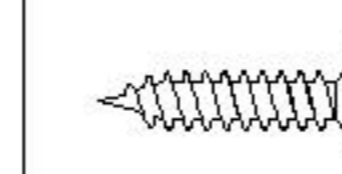
(E)*12



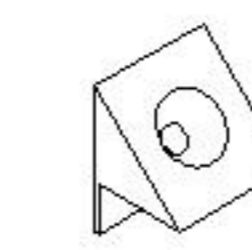
(J)*4



9

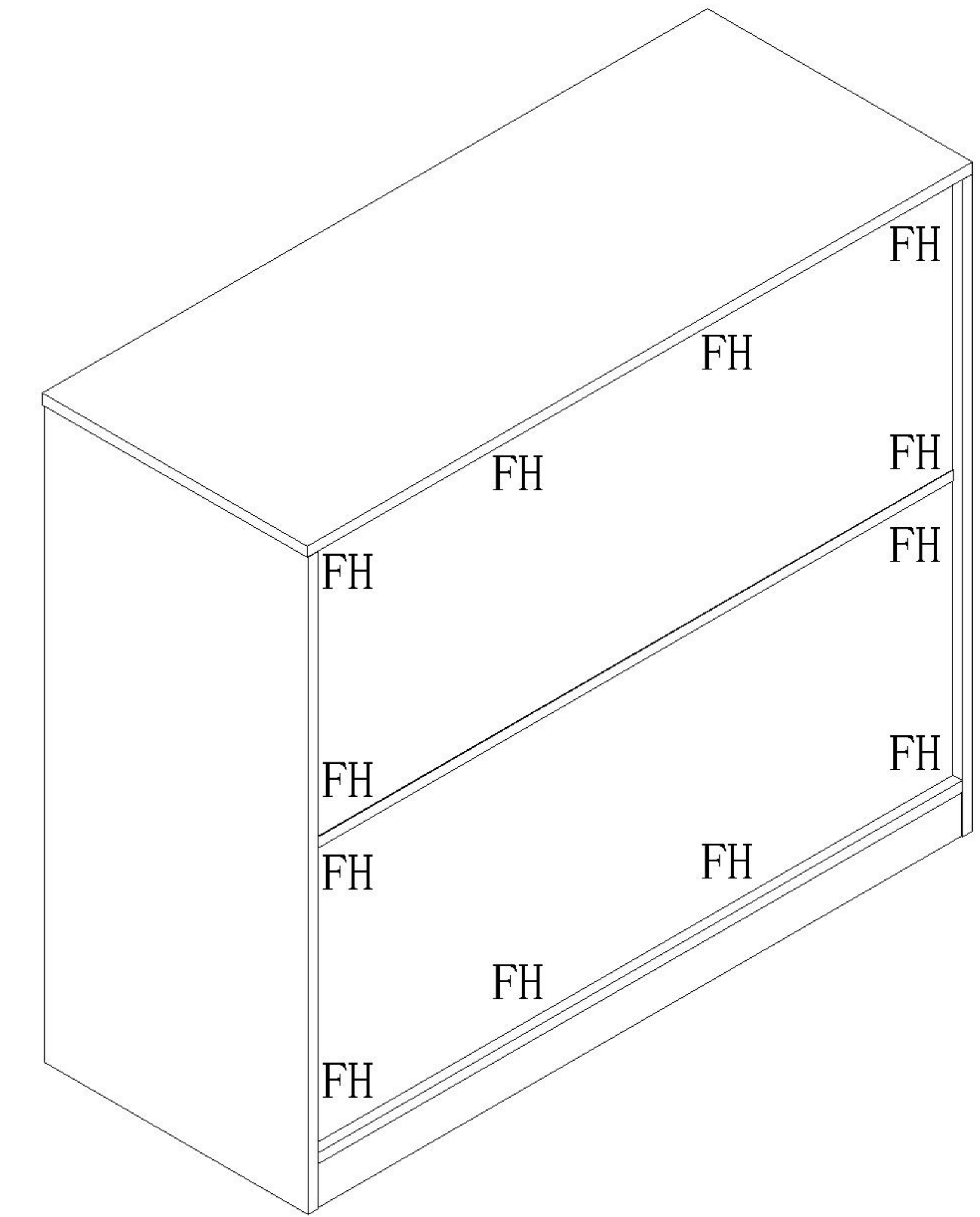


(F)*12

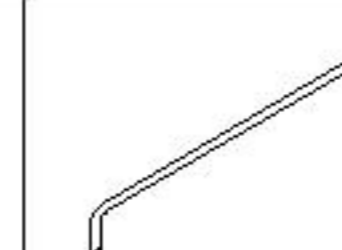


(H)*12

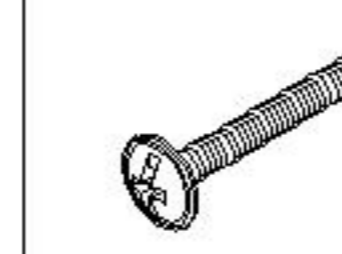
10



11

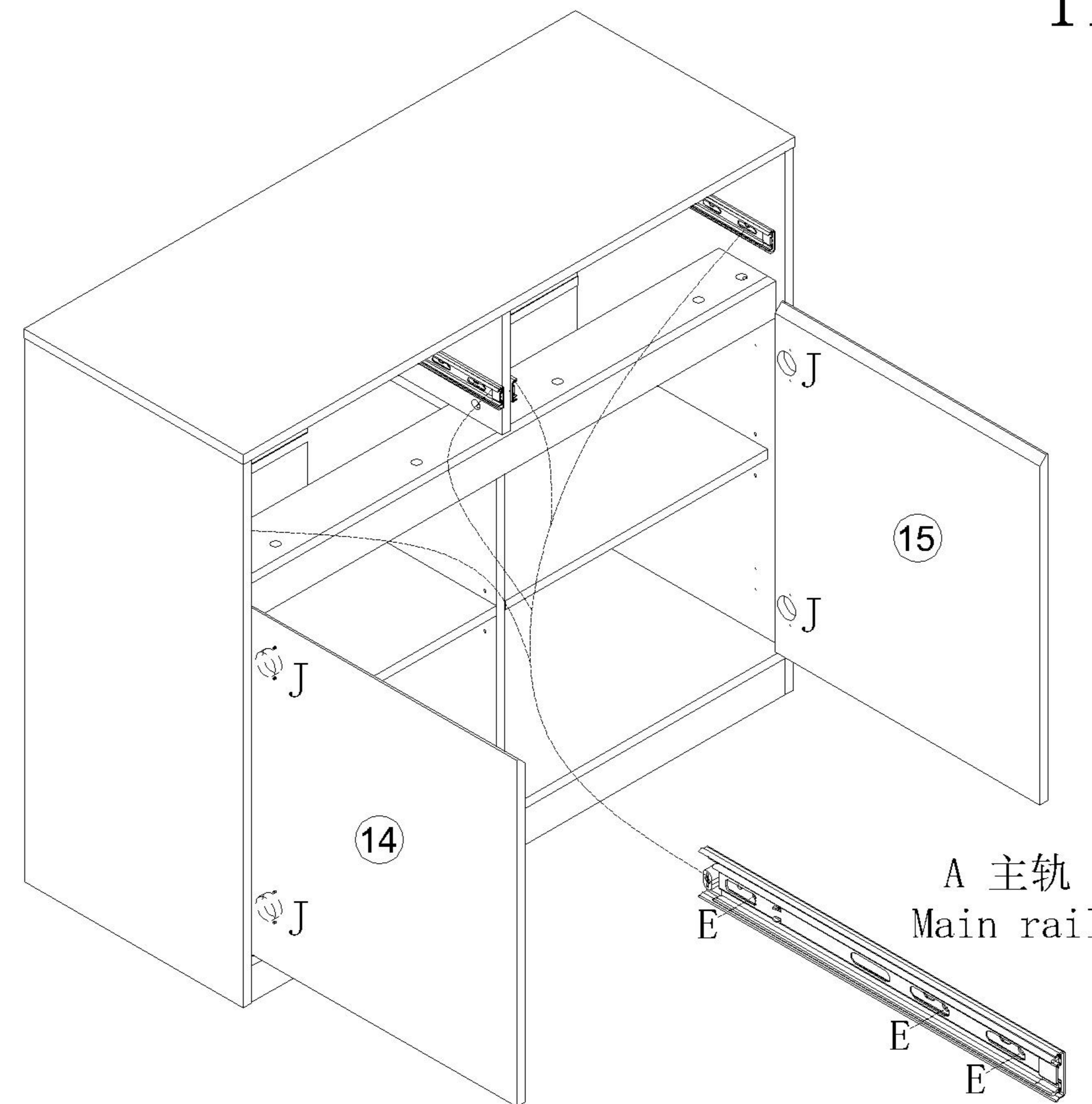


(B)*2

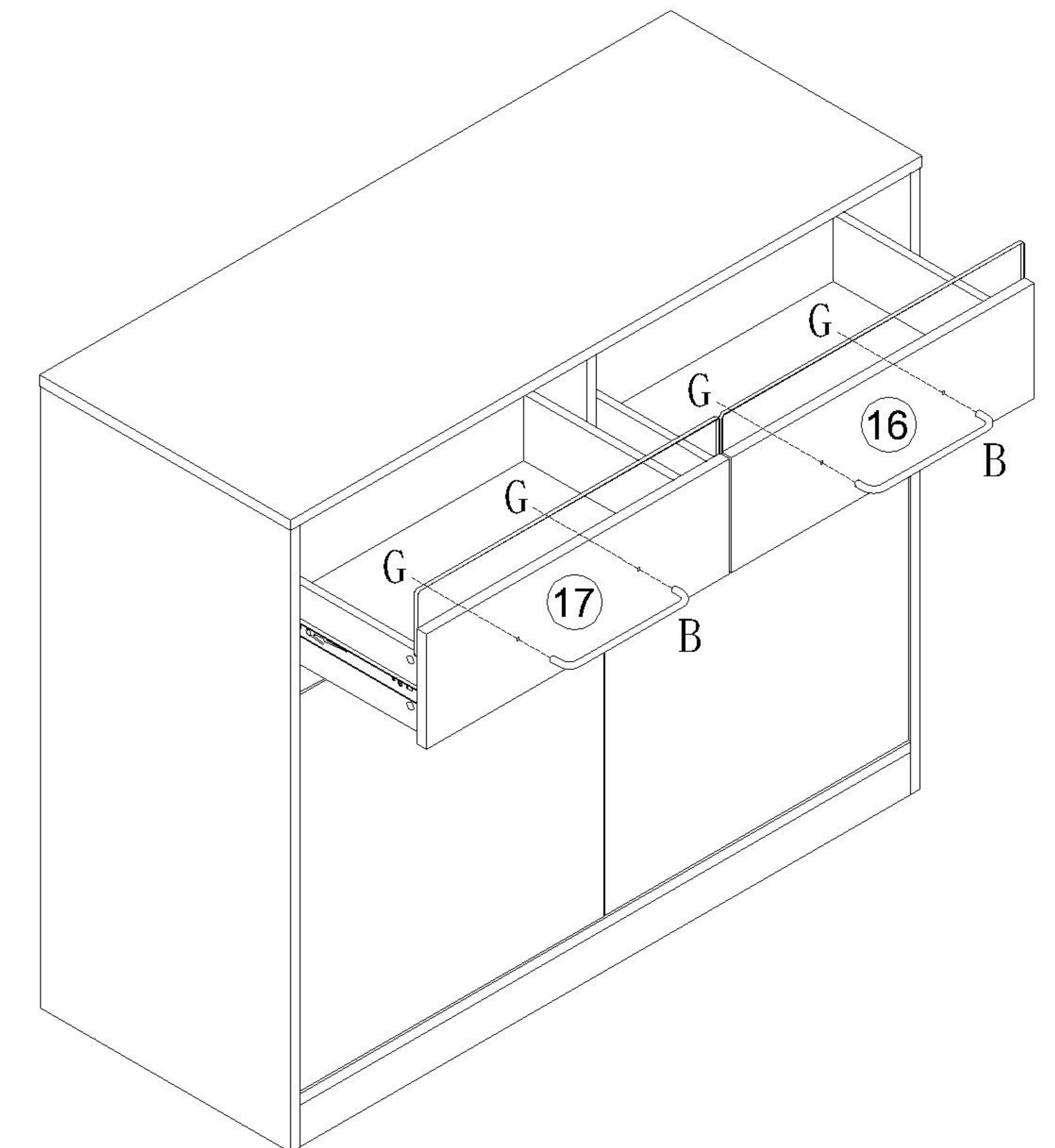


(G)*4

12

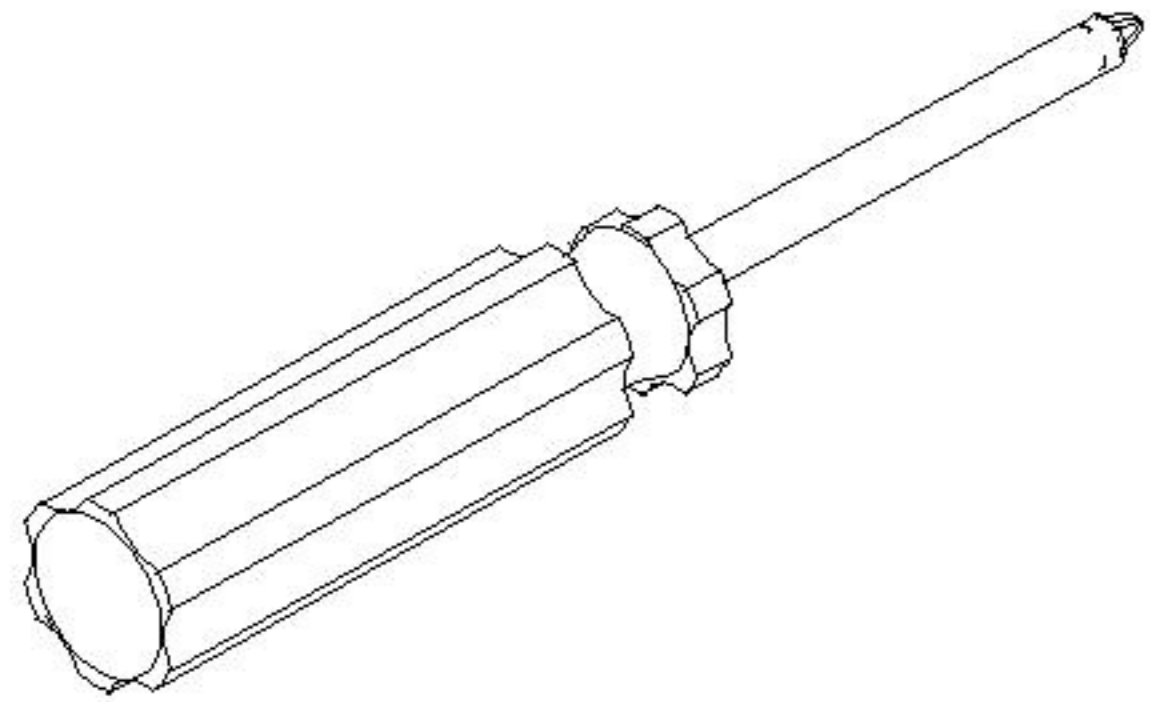
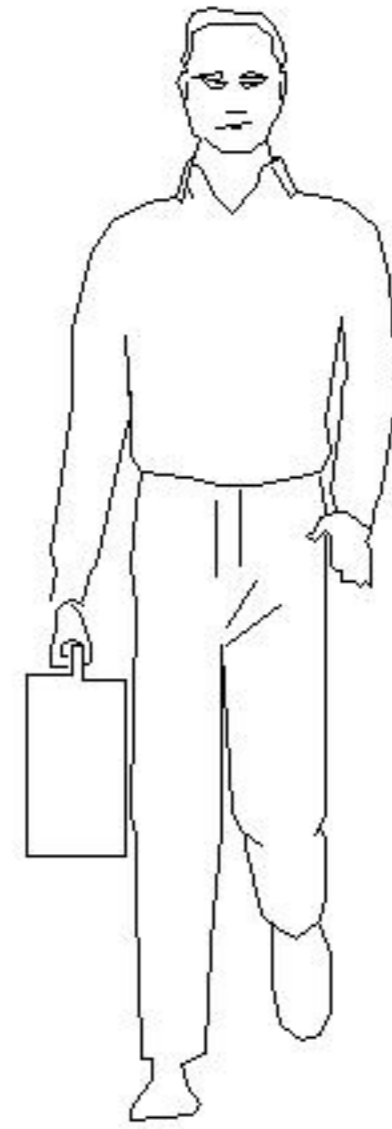


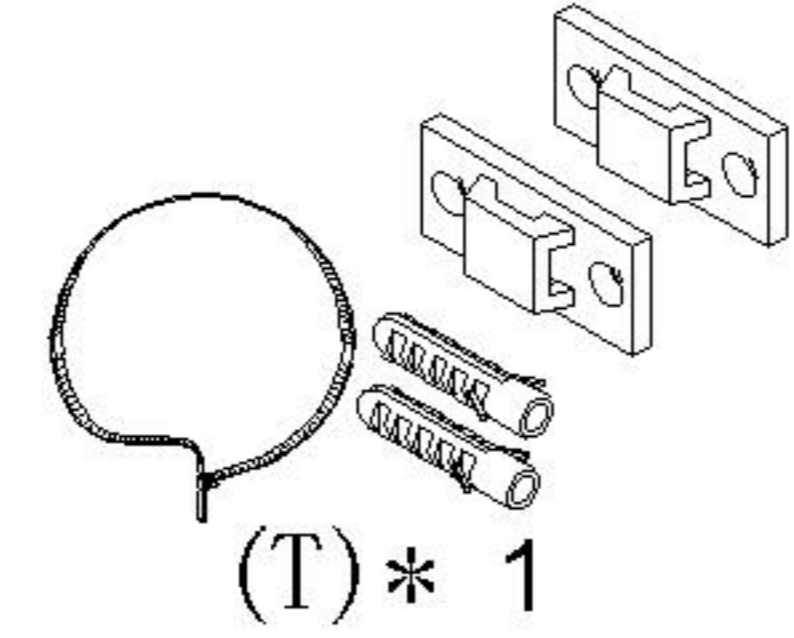
A 主轨
Main rail



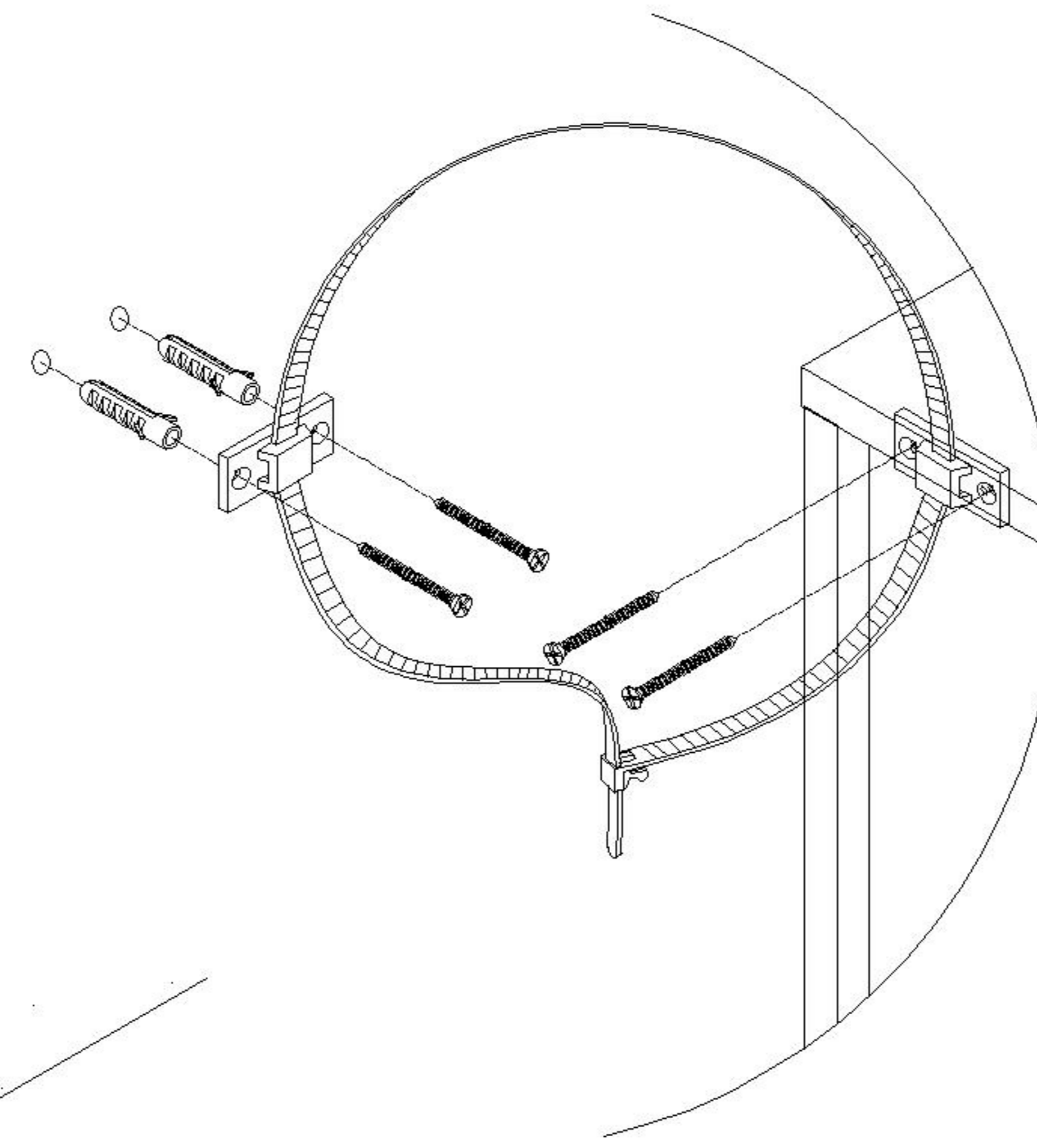
LINSY 林氏家居

安装示意图/Assembly Instruction

产品名称 Model NO.	Anti-fall device
产品规格 Specification	-
安装工具 Tool	安装人数 Installer
	



家具防倒器-白色
Anti-fall device
white



T处放大图
Enlarged view at T

实体墙
Solid wall

