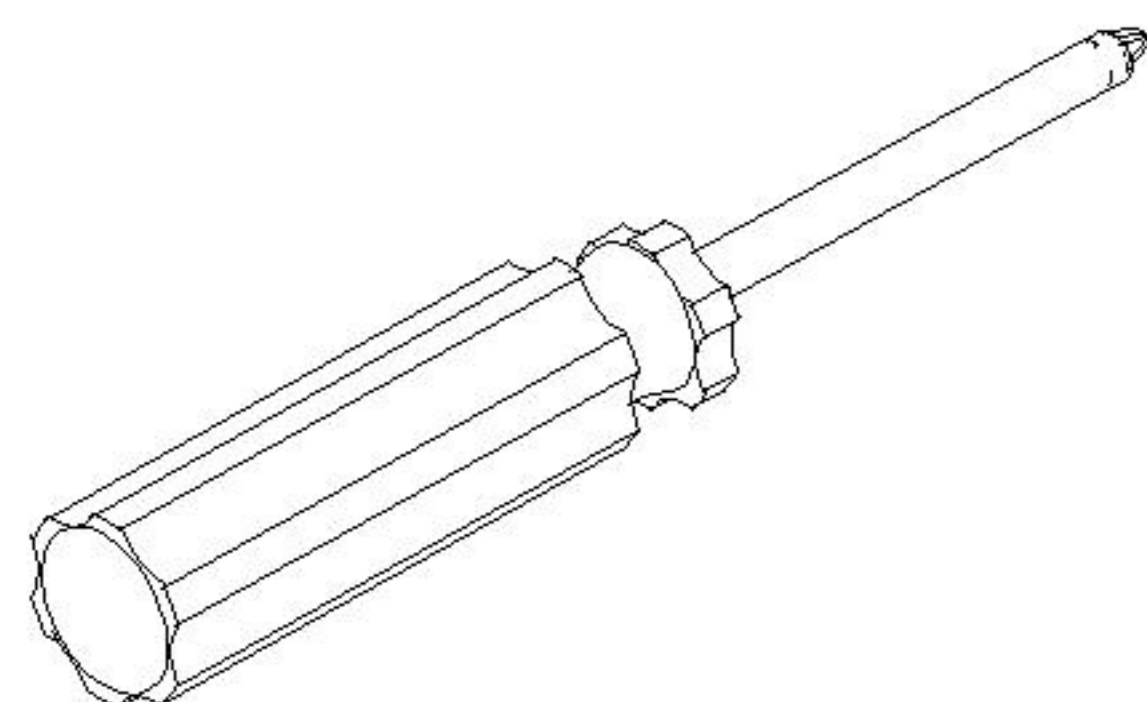
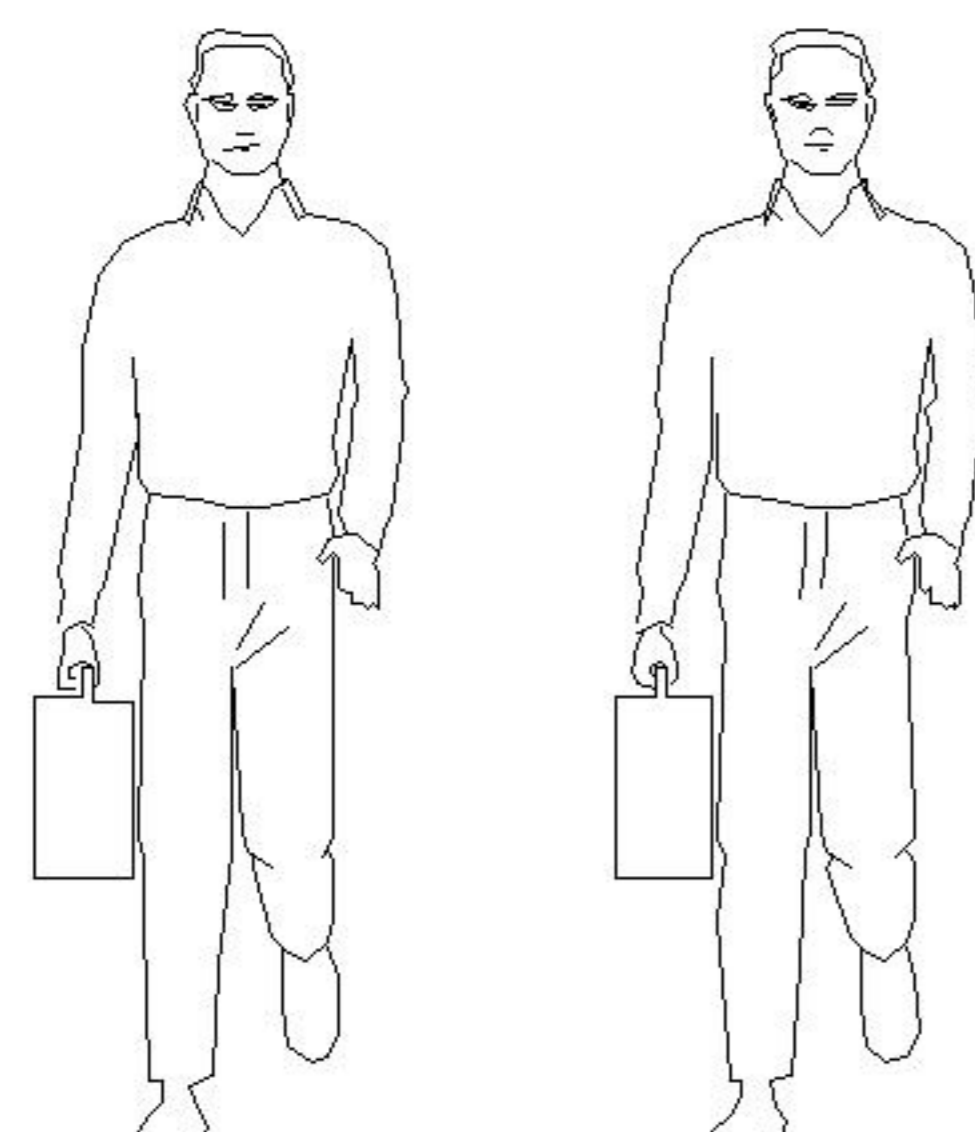
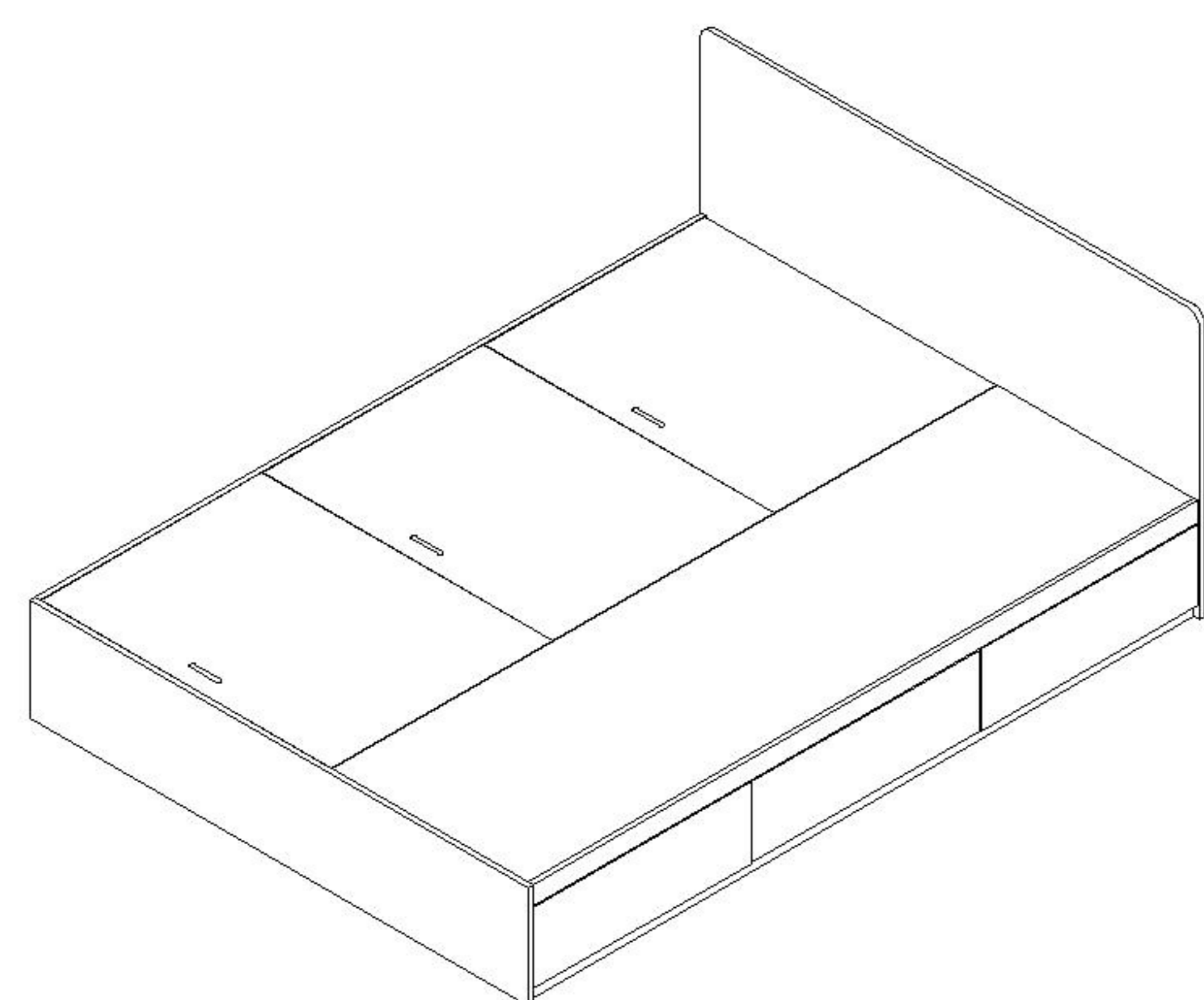
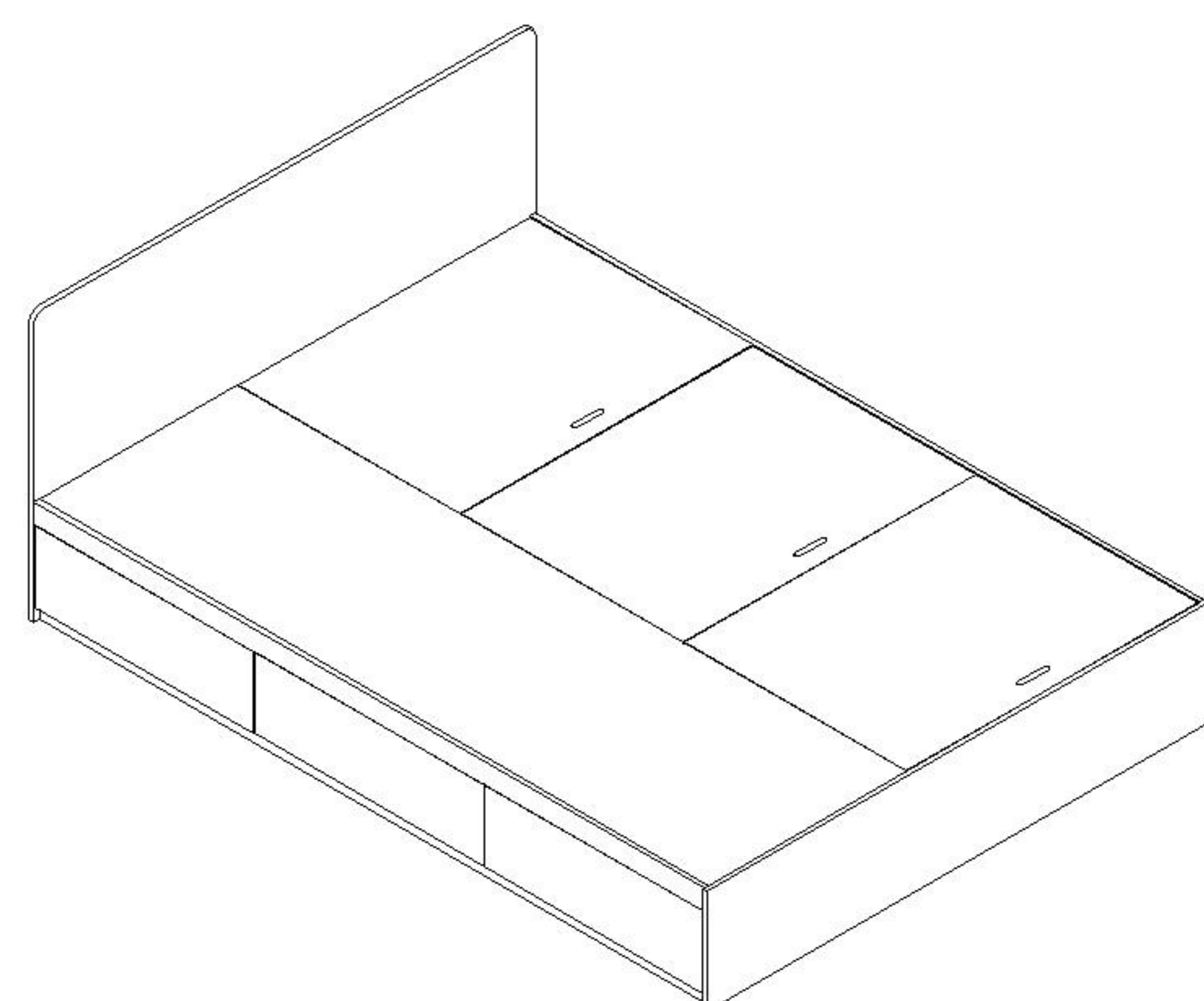


# LINSY 林氏家居

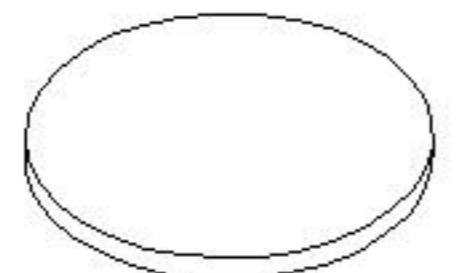
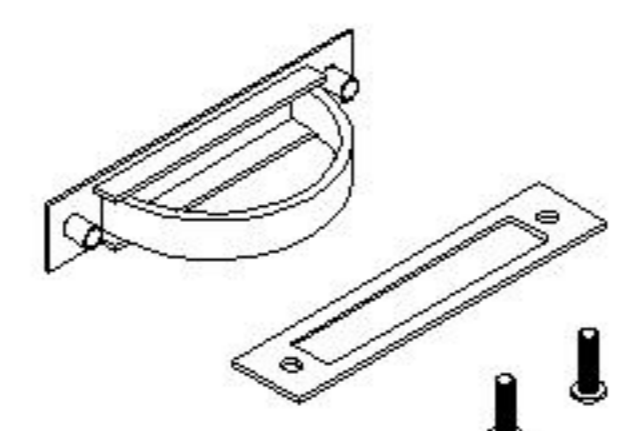
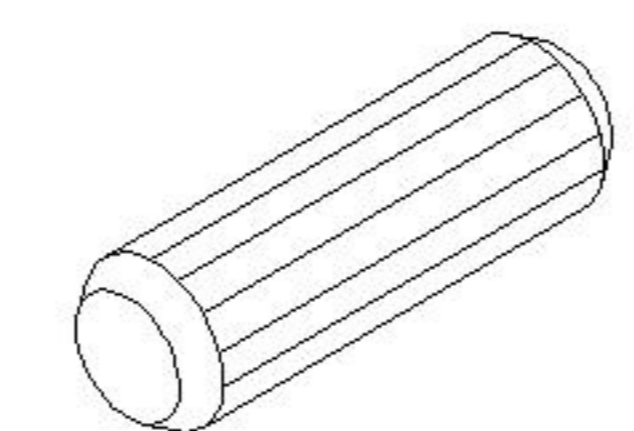
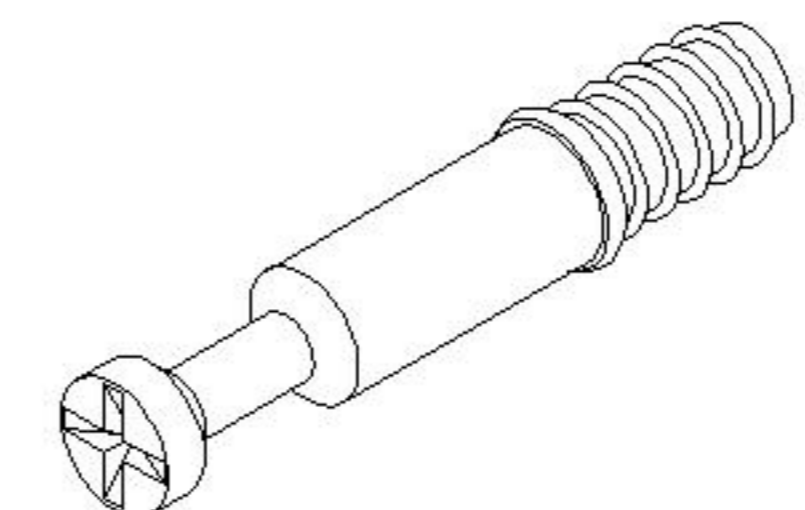
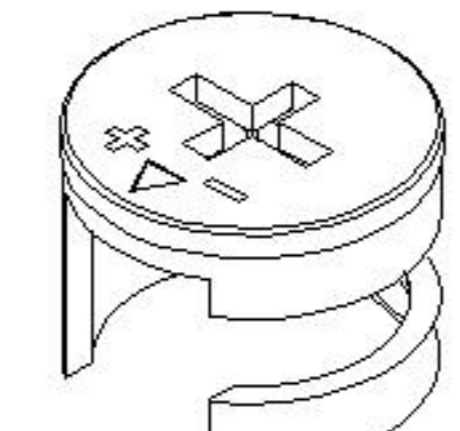
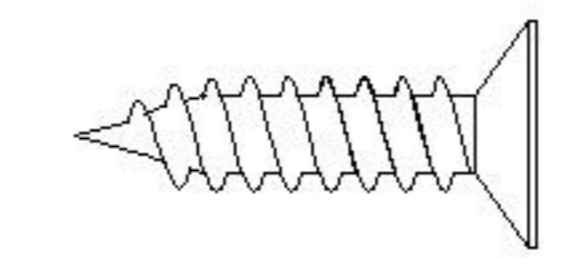
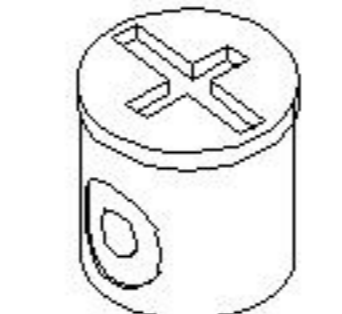
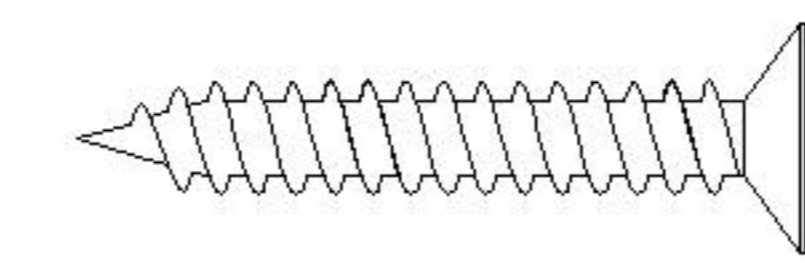
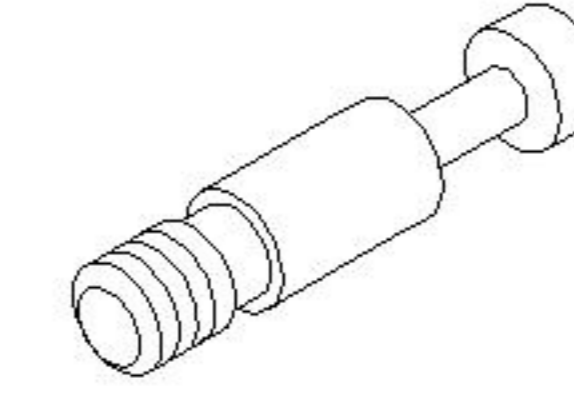
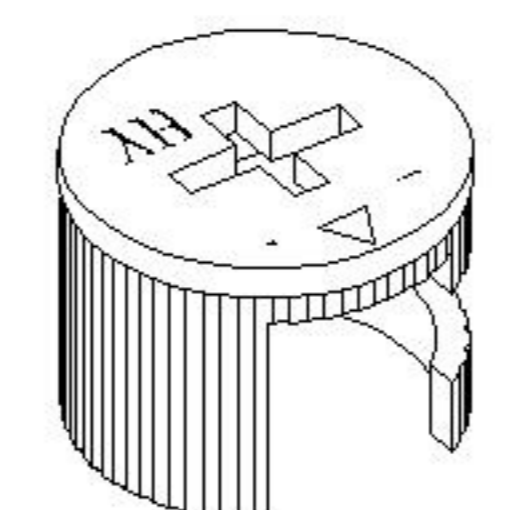

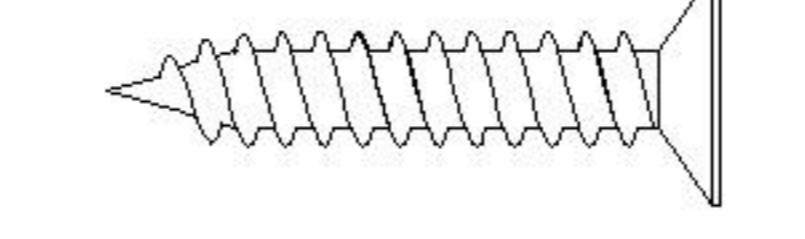
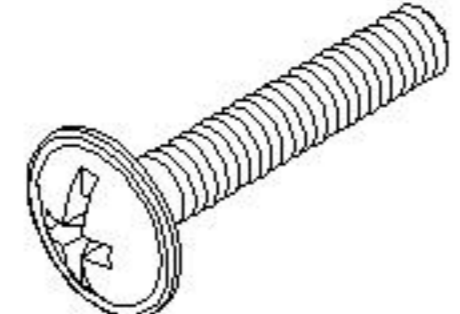
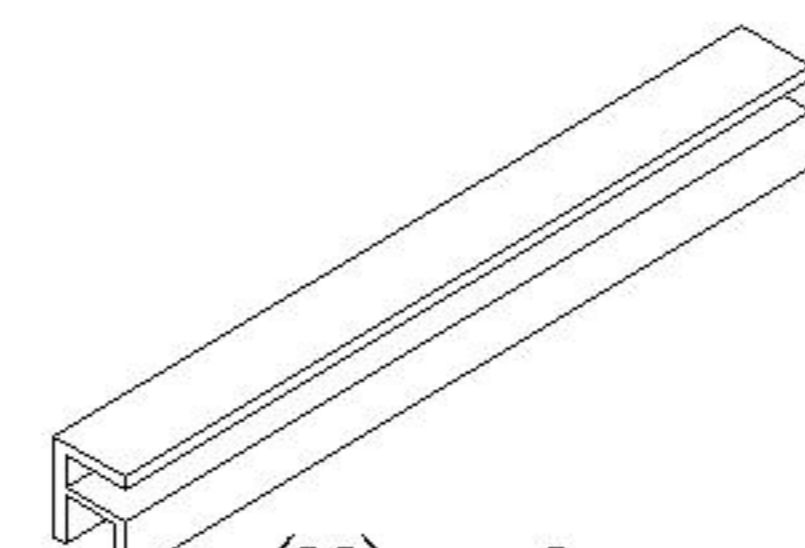
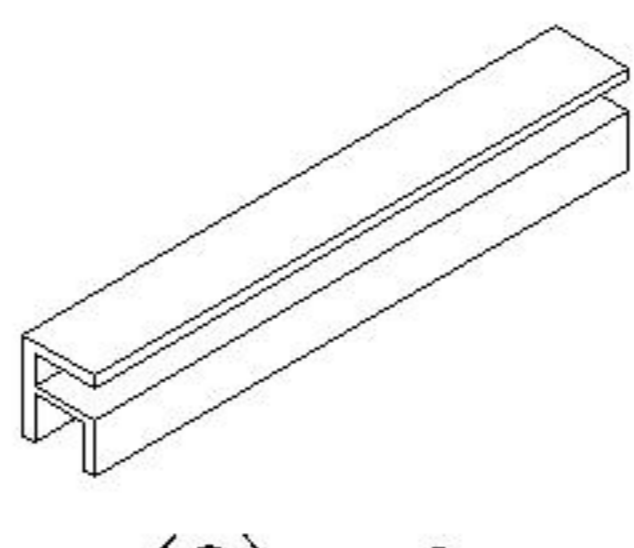
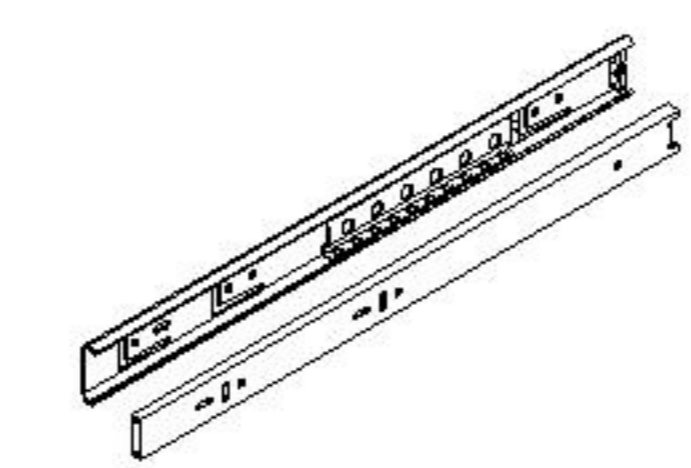
## 安装示意图/Assembly Instruction

产品名称 Model NO.	OV8A-C 1.2m 床身
产品规格 Specification	2000*1200*313 mm
安装工具 Tool	安装人数 Installer
	



温馨提示：床身可左右互换安装，上图为效果展示  
 Tips: The bed can be interchangeable installation, the above is the effect display

## 五金表/Hardware list

 (A)* 28 脚垫-灰色 Footrest Grey	 (B)* 3 拉手 Handle	 (C)* 21 木榫08x30mm wood tenon	 (D)* 46 二合一螺杆 2 in 1 screw
 (E)* 46 大三合一锁饼 Three-in-one large lock	 (F)* 42 自攻螺丝M3.5x12mm Self-tapping screw	 (G)* 19 塑料螺母 Plastic Nut	 (H)* 19 自攻螺丝M4x40mm Self-tapping screw
 (I)* 19 小二合一杆 small two-in-one rod	 (J)* 19 小三合一锁饼 small three-in-one lock	 (K)* 2 L型角码14x21x1.5 L-shaped corner code	 (L)* 46 自攻螺丝M4x25mm Self-tapping screw
 (M)* 6 拉手螺丝-M4x14mm pulling screw	 (N)* 6 塑胶条1-627mm Bed bottom plate plastic strip	 (O)* 6 塑胶条2-572mm Bed bottom plate plastic strip	 (P)* 3 三节滚珠导轨-14" three section ball rail

注：该床身可搭配多款床头，请根据购买的产品型号进行安装  
 Note: The bed can be equipped with multiple headboards, please install according to the purchased product model

## 部件表/Parts List

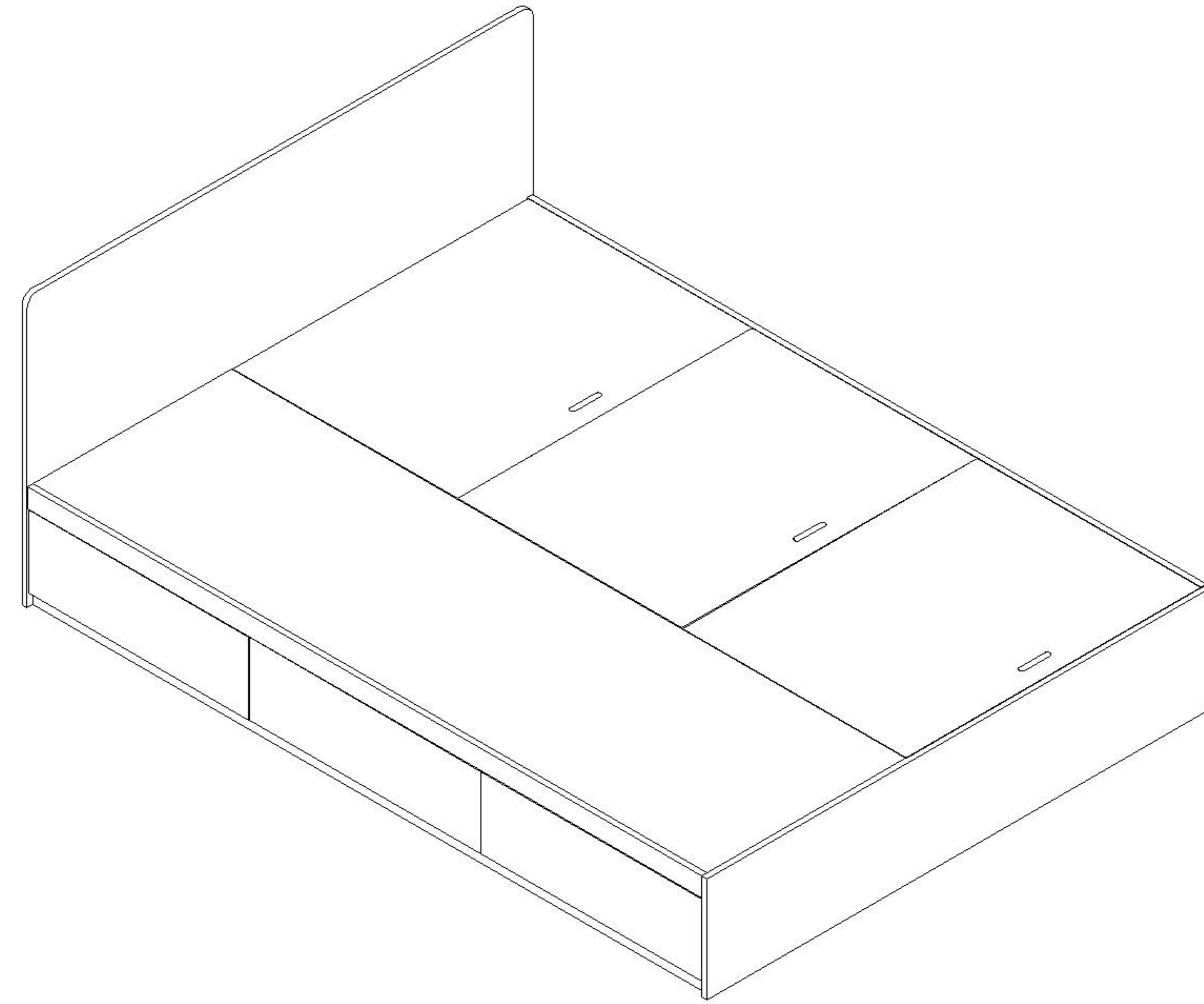
编号NO.	名称Name	规格 (mm) Specification	数量QTY	材质Material
1	床侧Bedside	2000*310*15	1	人造板 WBP
2	下拉条Bottom brace	2000*58*15	1	人造板 WBP
3	上拉条Top brace	2000*58*15	1	人造板 WBP
4	中侧板Middle side board	2000*294*15	1	人造板 WBP
5	内侧板 Medial plate	576*294*15	2	人造板 WBP
6	隔板Clapboard	576*294*15	2	人造板 WBP
7	床板Bed board	2000*591*15	1	人造板 WBP
8	托条Supporting strip	560*58*15	6	人造板 WBP
9	小床板Small bed board	574*665*15	3	人造板 WBP
10	边抽屉面板 Side drawer panel	653*212*15	2	人造板 WBP
11	中抽屉面板Drawer's middle board	686*212*15	1	人造板 WBP
12	抽屉左侧板Drawer's side board(L)	395*142*12	3	人造板 WBP
13	抽屉右侧板Drawer's side board(R)	395*142*12	3	人造板 WBP
14	抽屉后板Drawer's Back board	607*142*12	3	人造板 WBP
15	抽屉底托条Drawer's bottom bracket	381*58*12	3	人造板 WBP
16	抽屉底板Drawer's Bottom board	617*391*5	3	人造板 WBP
17	底板Bottom board	566*647*5	3	人造板 WBP
18	托条1 Supporting strip 1	620*58*15	6	人造板 WBP
OV9A-C 1.2米高床头 OV9A-C 1.2 m high headboard				
19	床头 Head bed	1200*798*15	1	人造板 WBP
20	床尾Bed tail	1200*310*15	1	人造板 WBP
OV10A-C 1.2米床头软包 OV10A-C 1.2m headboard soft bag				
21	床头软包Upholstered headboard	1200*390*90	1	软包Soft bag
OV8A-C 1.2米矮床头 OV8A-C 1.2m low bed head				
22	床头 Head bed	1200*310*15	2	人造板 WBP



OV8A-C 1.2m 床身

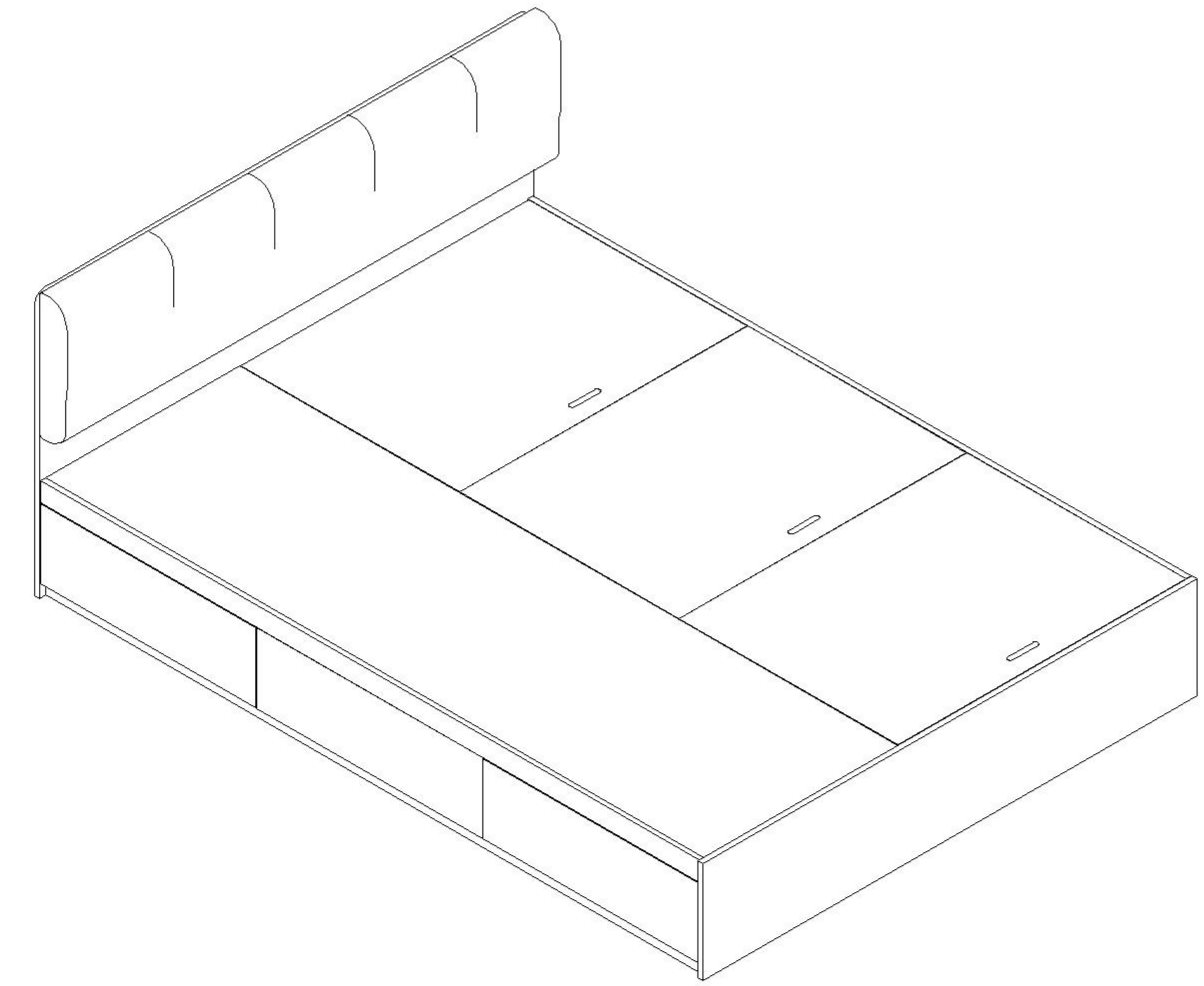
安装方法/  
Installation method

OV9A-C 高床头款1.2米  
OV9A-C has a 1.2m high headboard



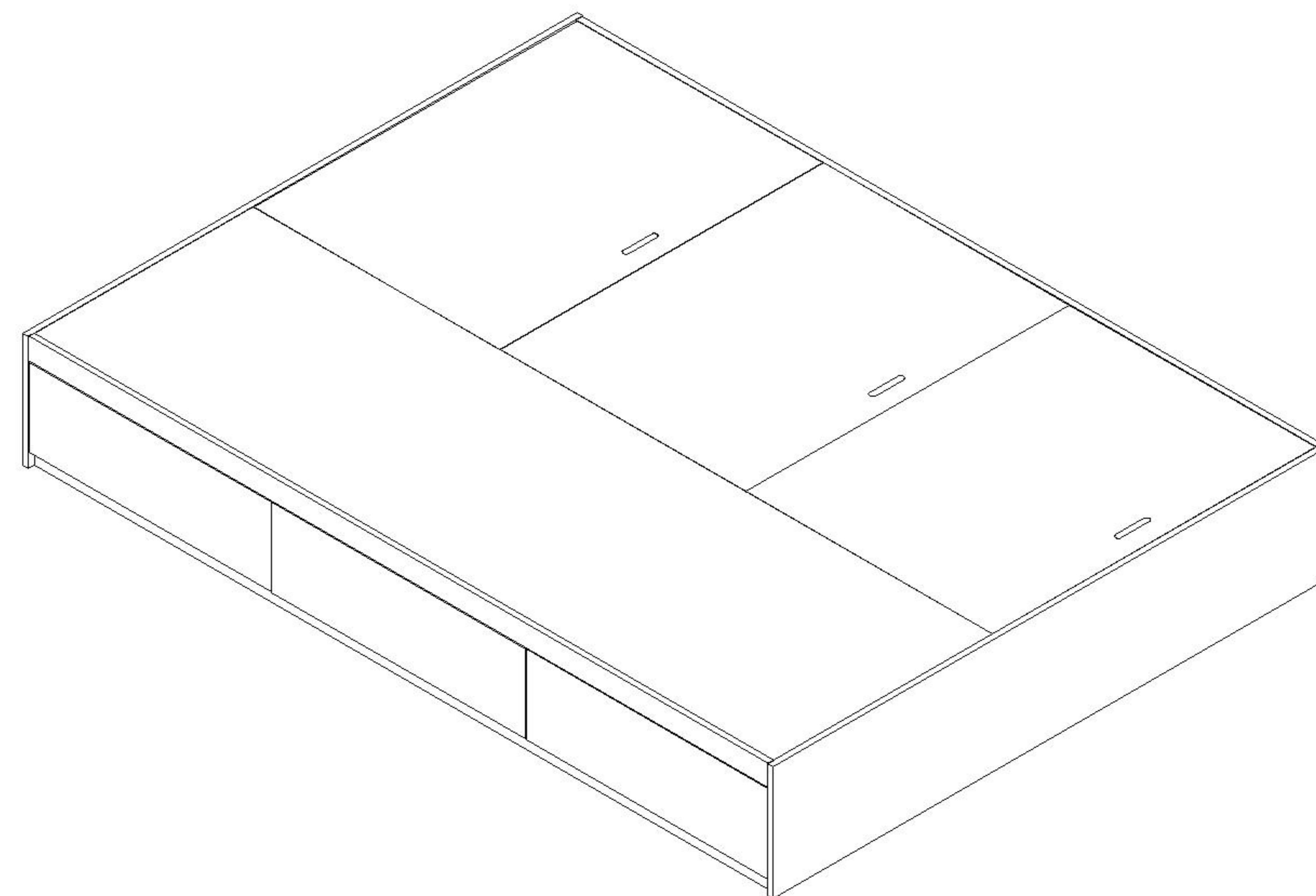
床垫厚度建议: 100mm  
产品规格Specification: 2030\*1200\*801mm

OV10A-C 软包床头款1.2米  
OV10A-C soft bag headboard 1.2m



床垫厚度建议: 100mm  
产品规格Specification: 2030\*1200\*801mm

OV8A-C 矮床头款1.2米  
OV8A-C low bed is 1.2m

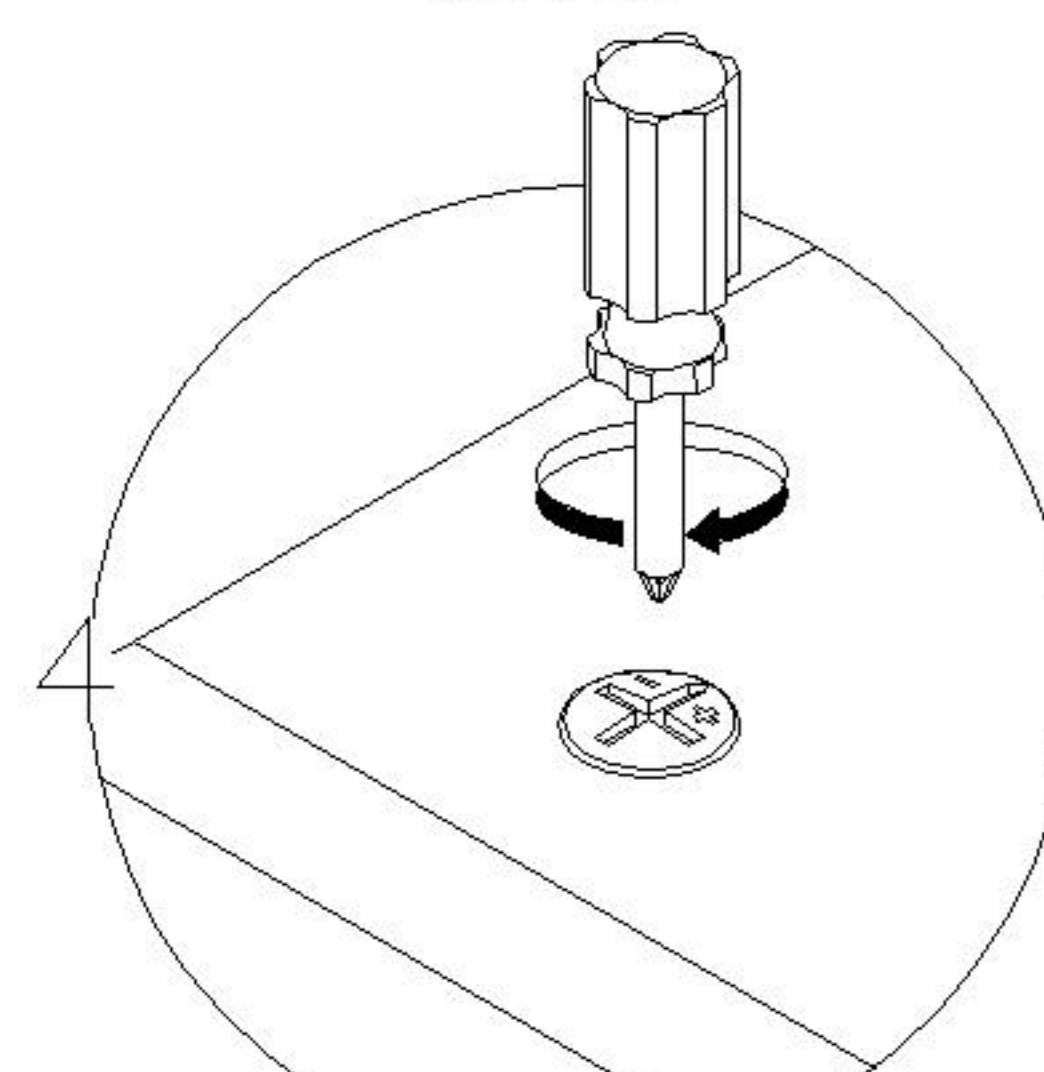
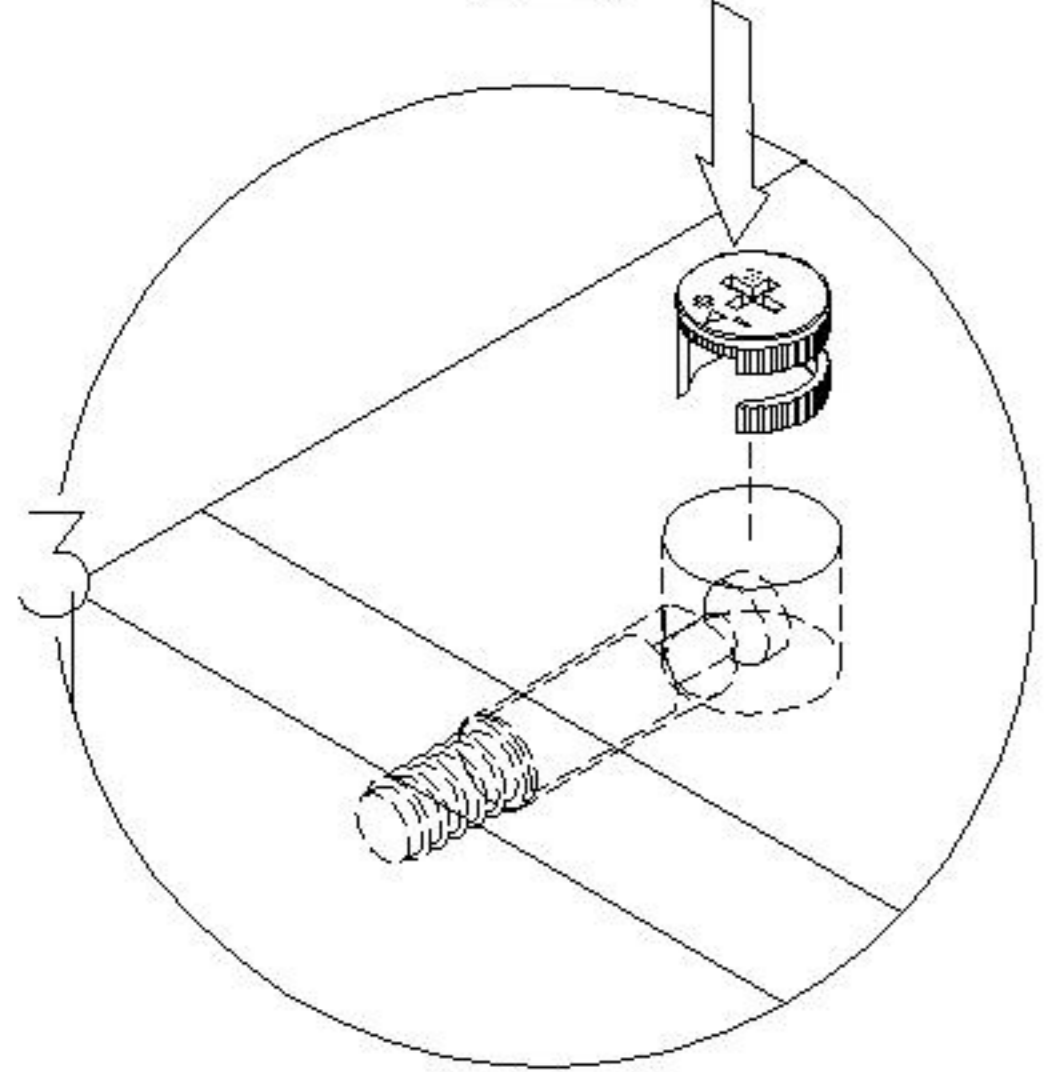
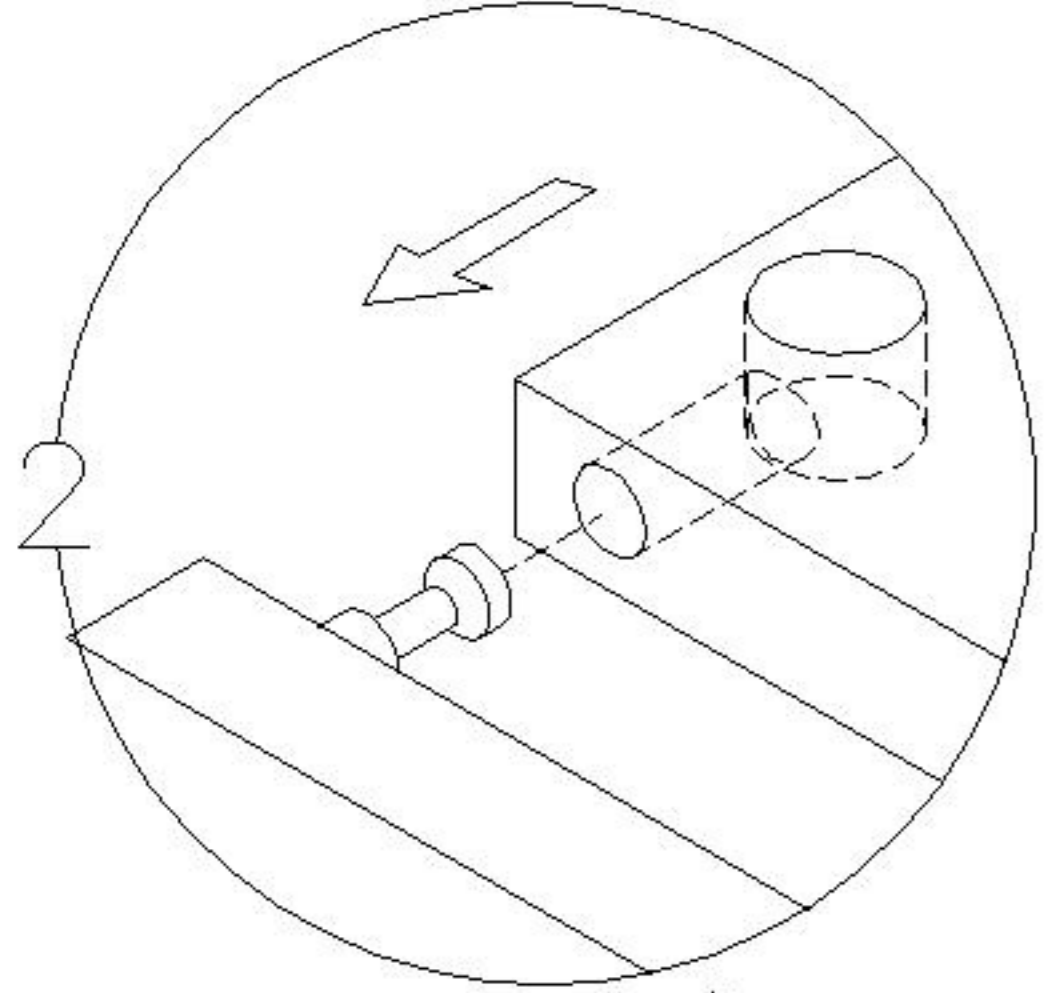
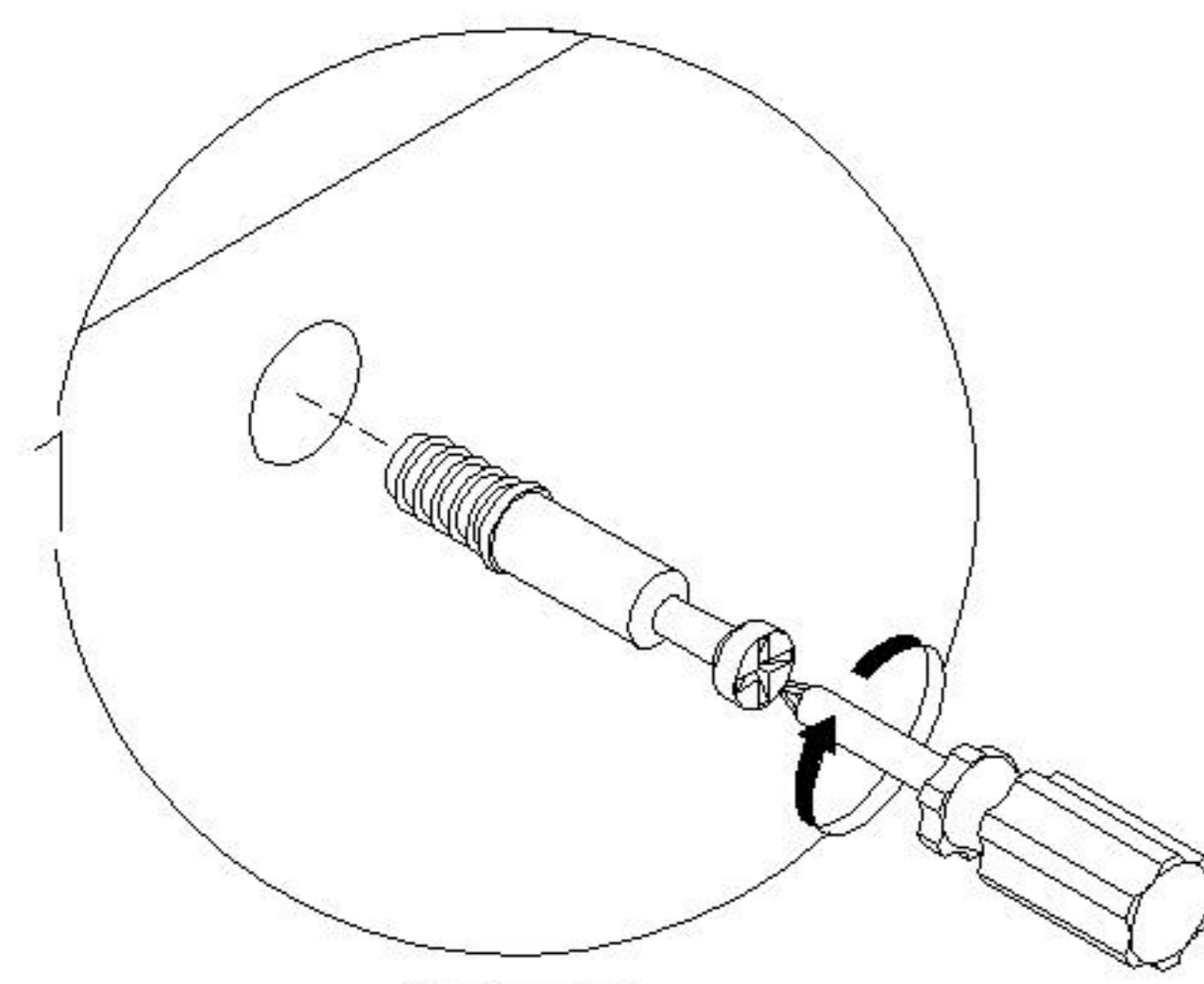


床垫厚度建议: 100mm  
产品规格Specification: 2030\*1200\*313mm

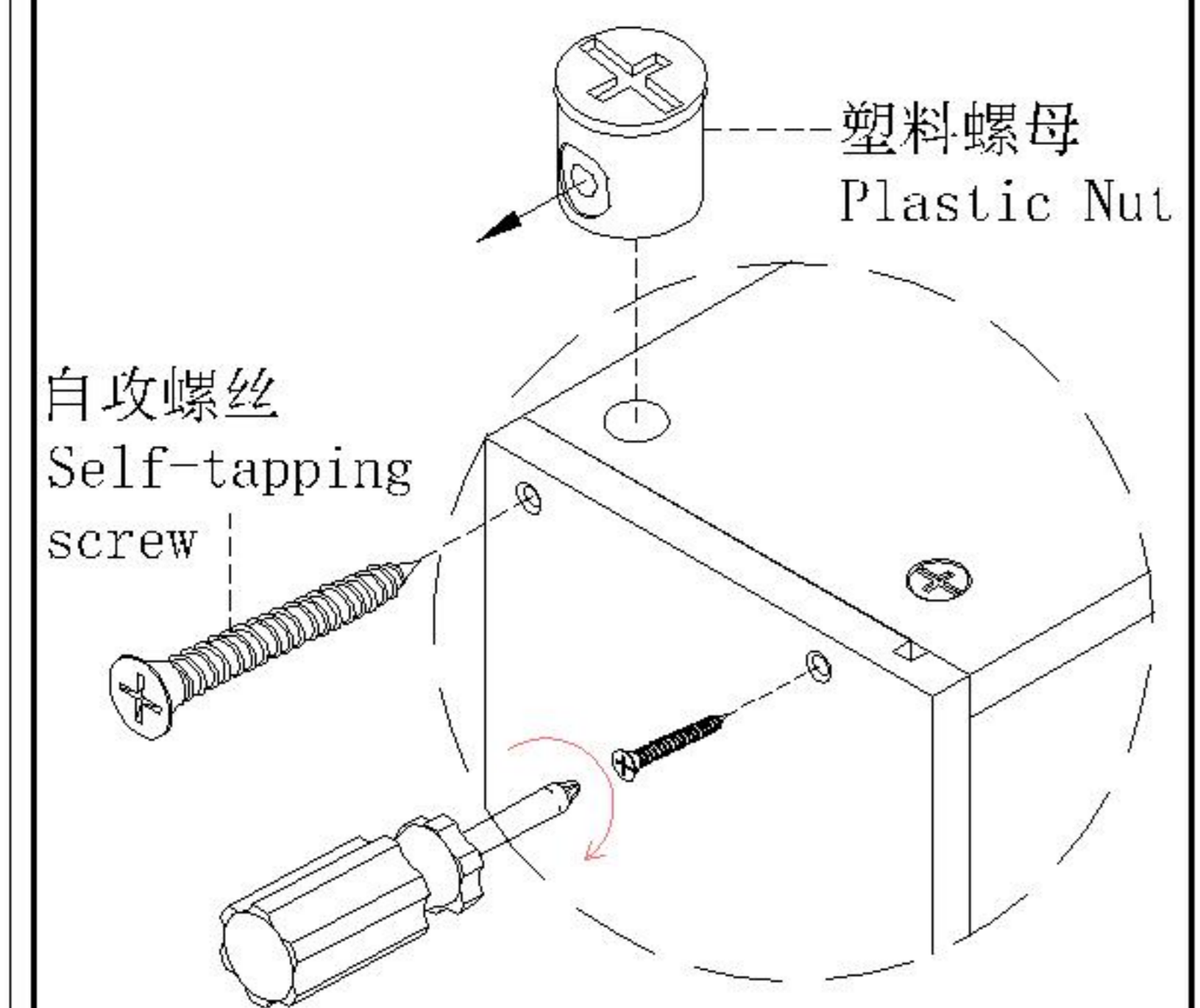


OV8A-C 1.2m 床身

安装方法/  
Installation method

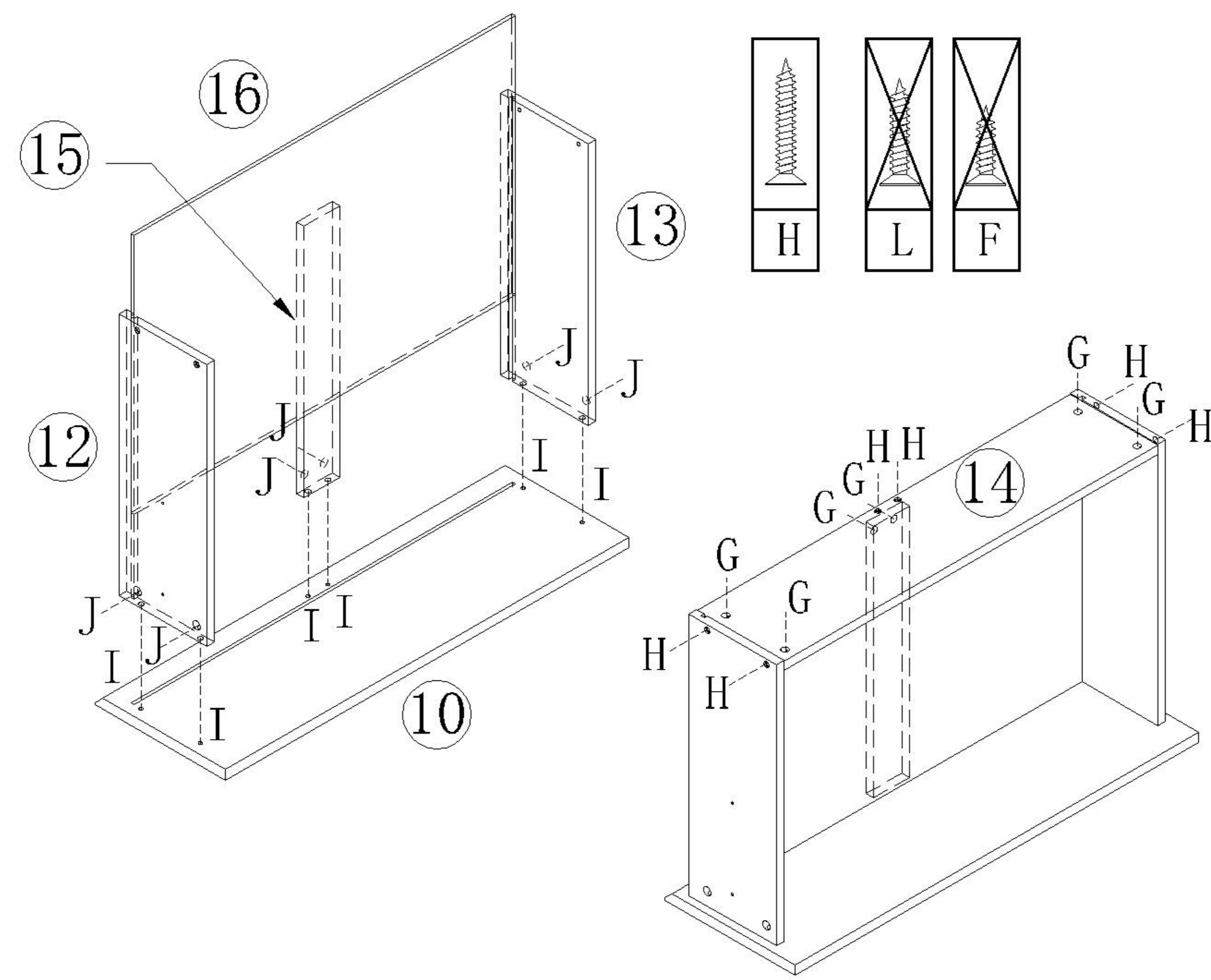


小二合一/two-in-one



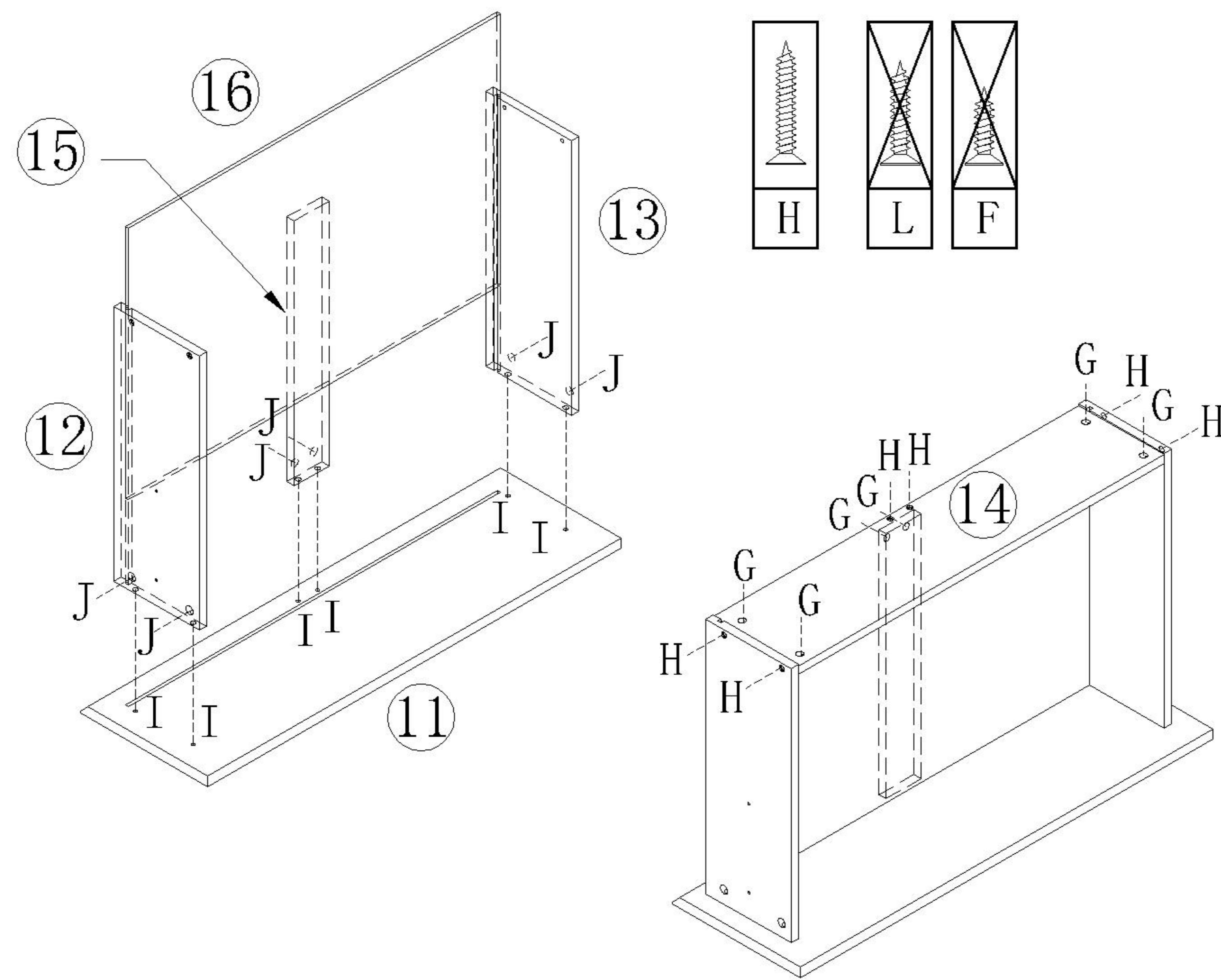
塑料螺母  
Plastic Nut

- (G)\*12
- (H)\*12
- (I)\*12
- (J)\*12



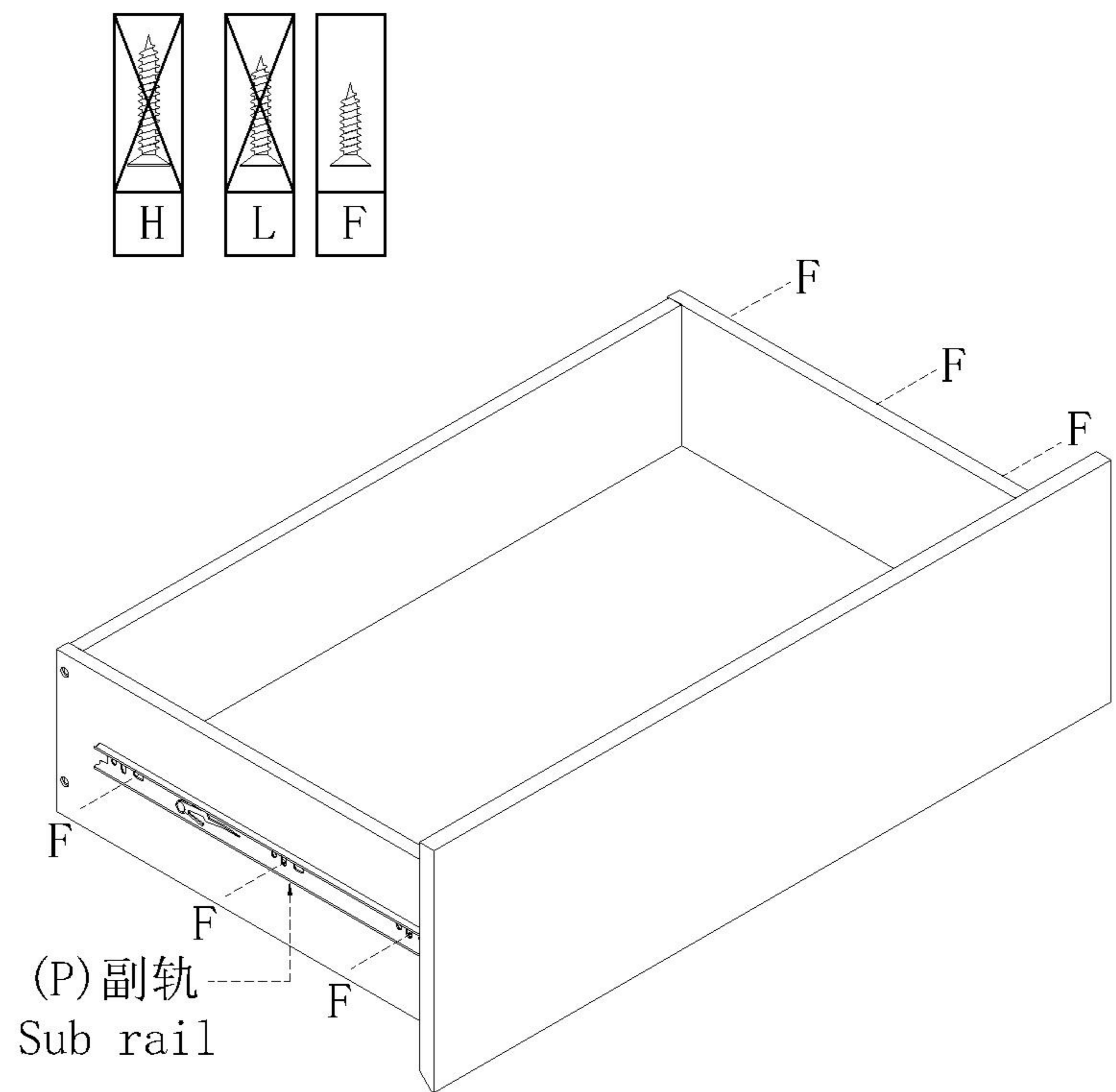
X2

- (G)\*6
- (H)\*6
- (I)\*6
- (J)\*6



3

- (F)\*6
- (P)\*1

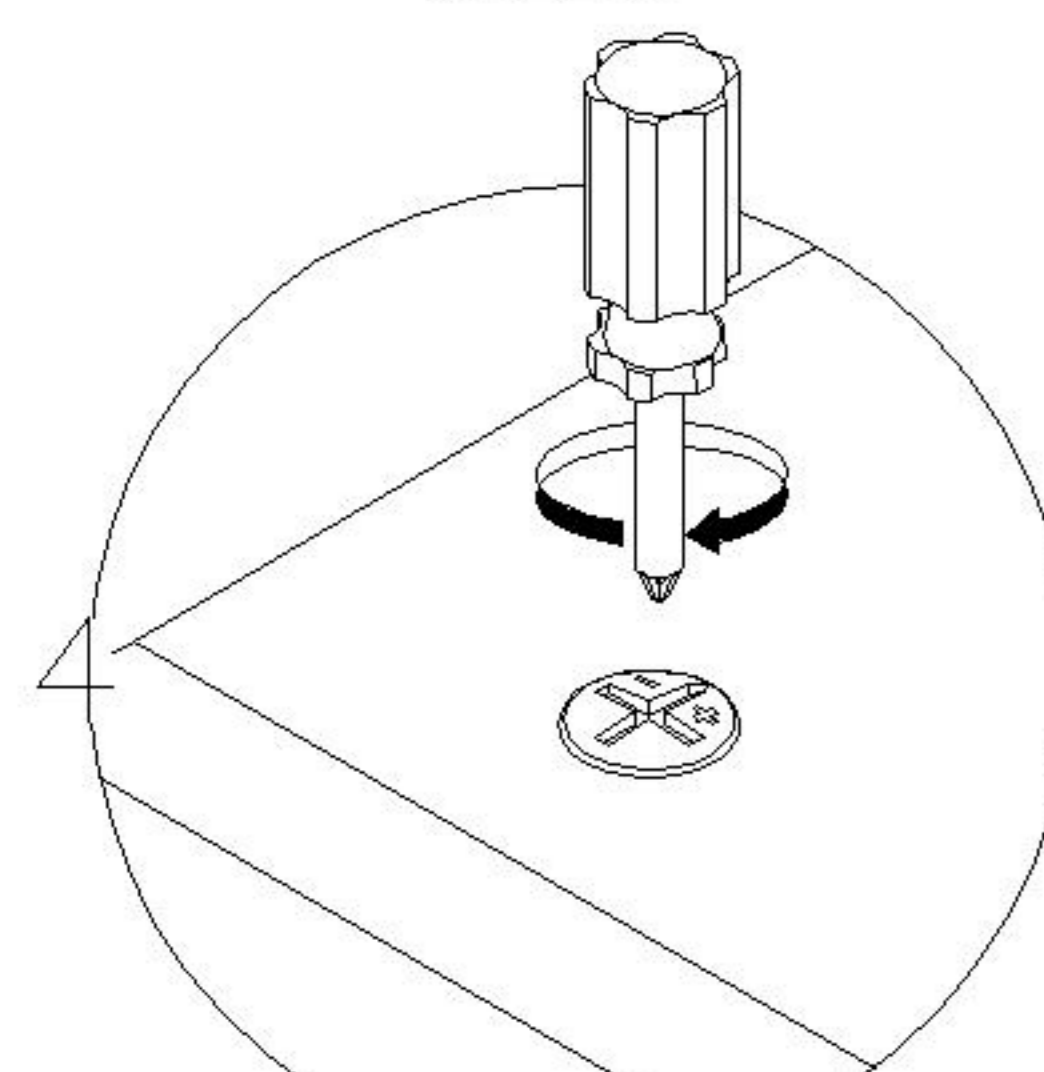
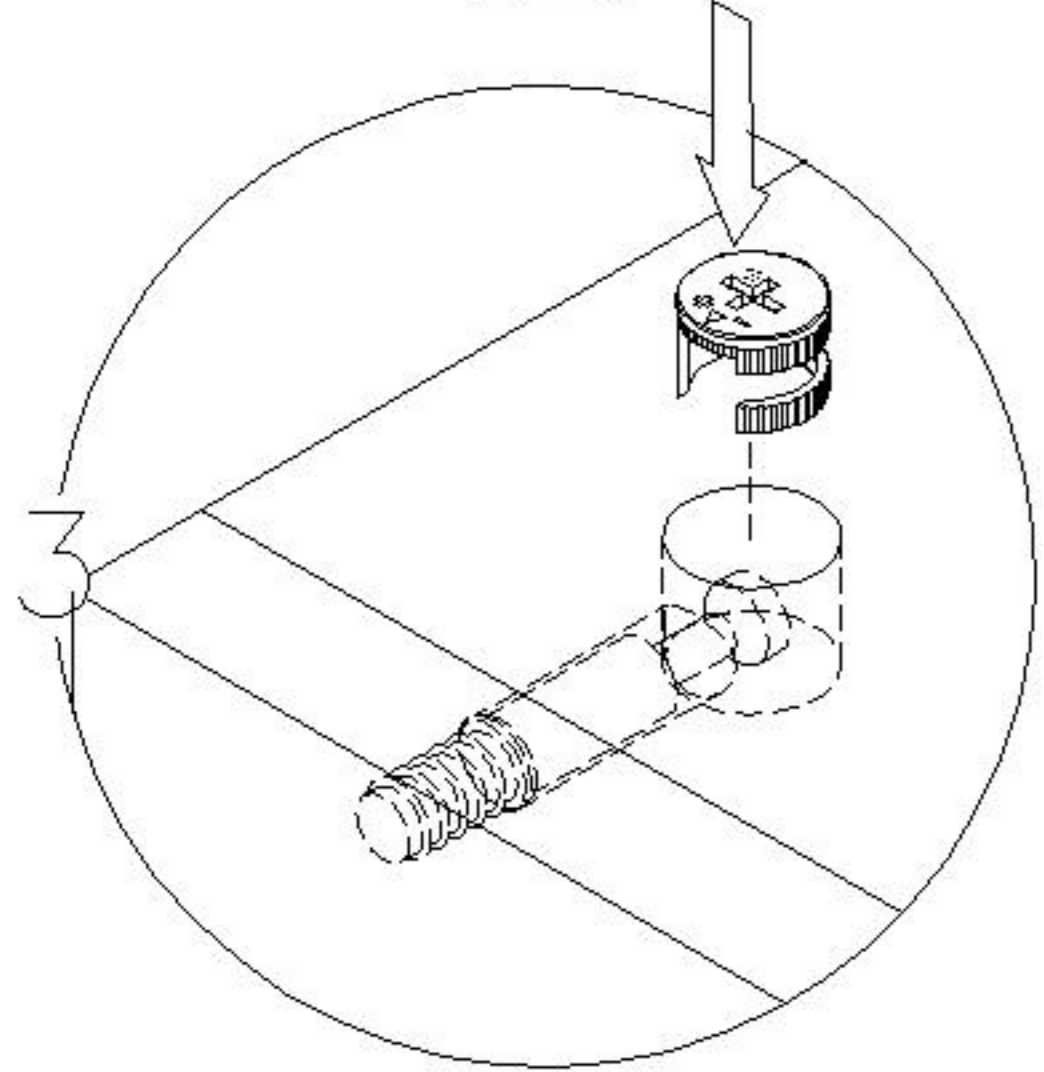
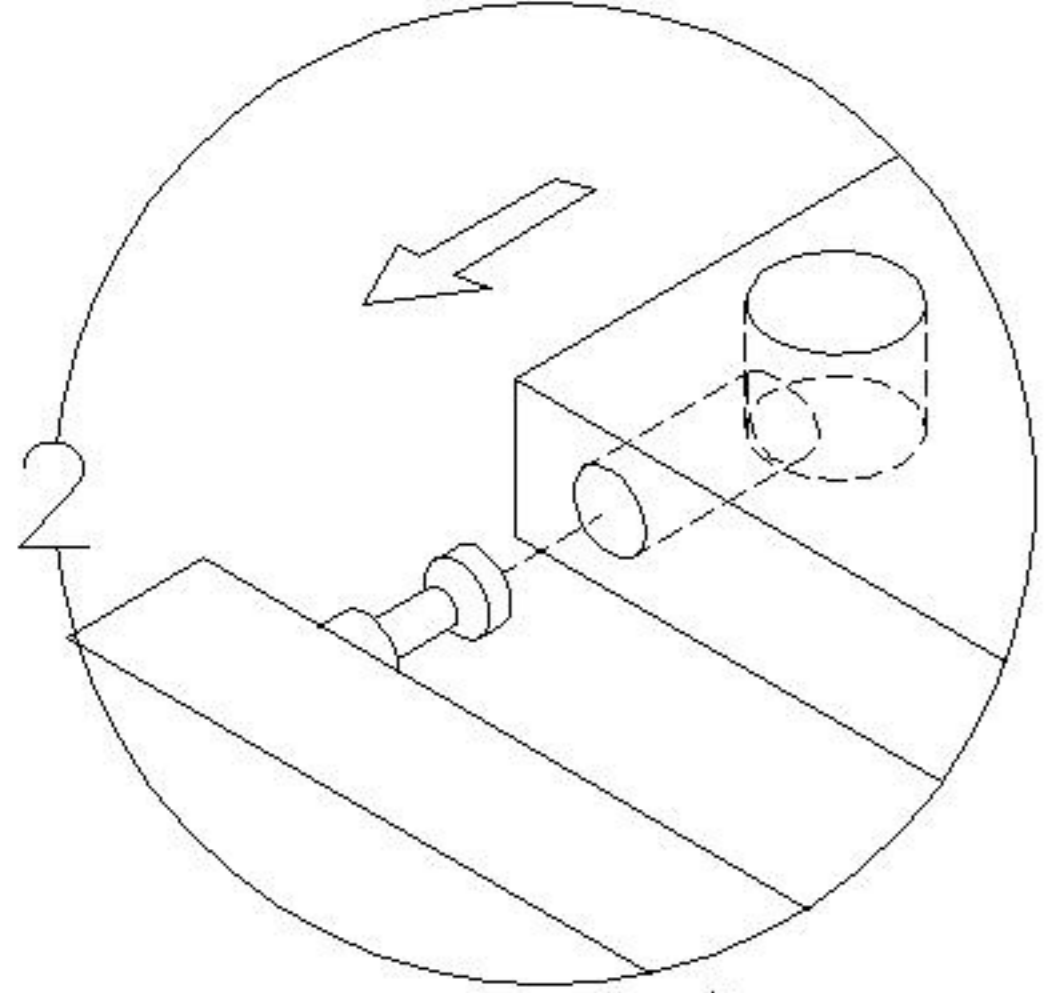
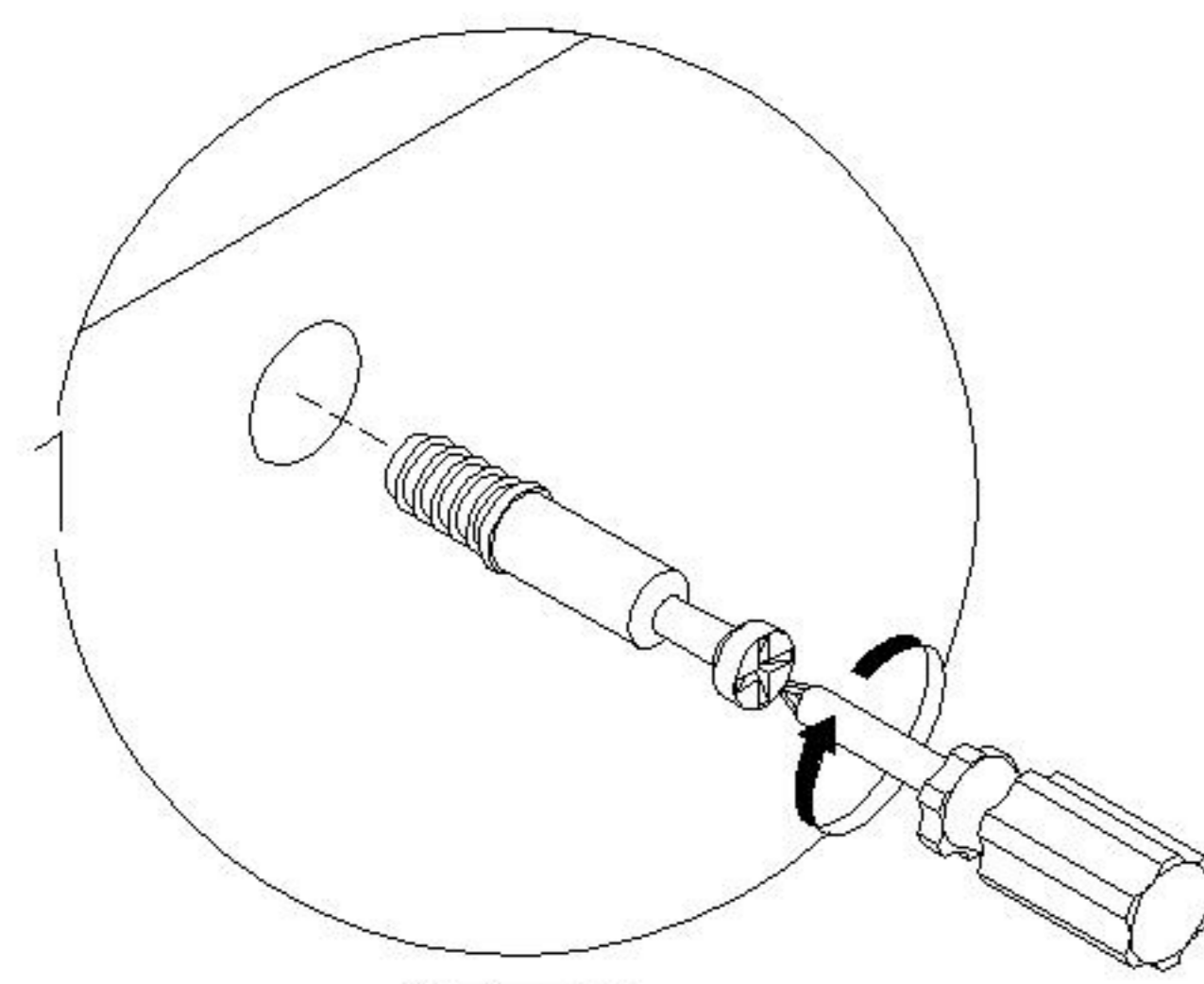


(P) 副轨  
Sub rail

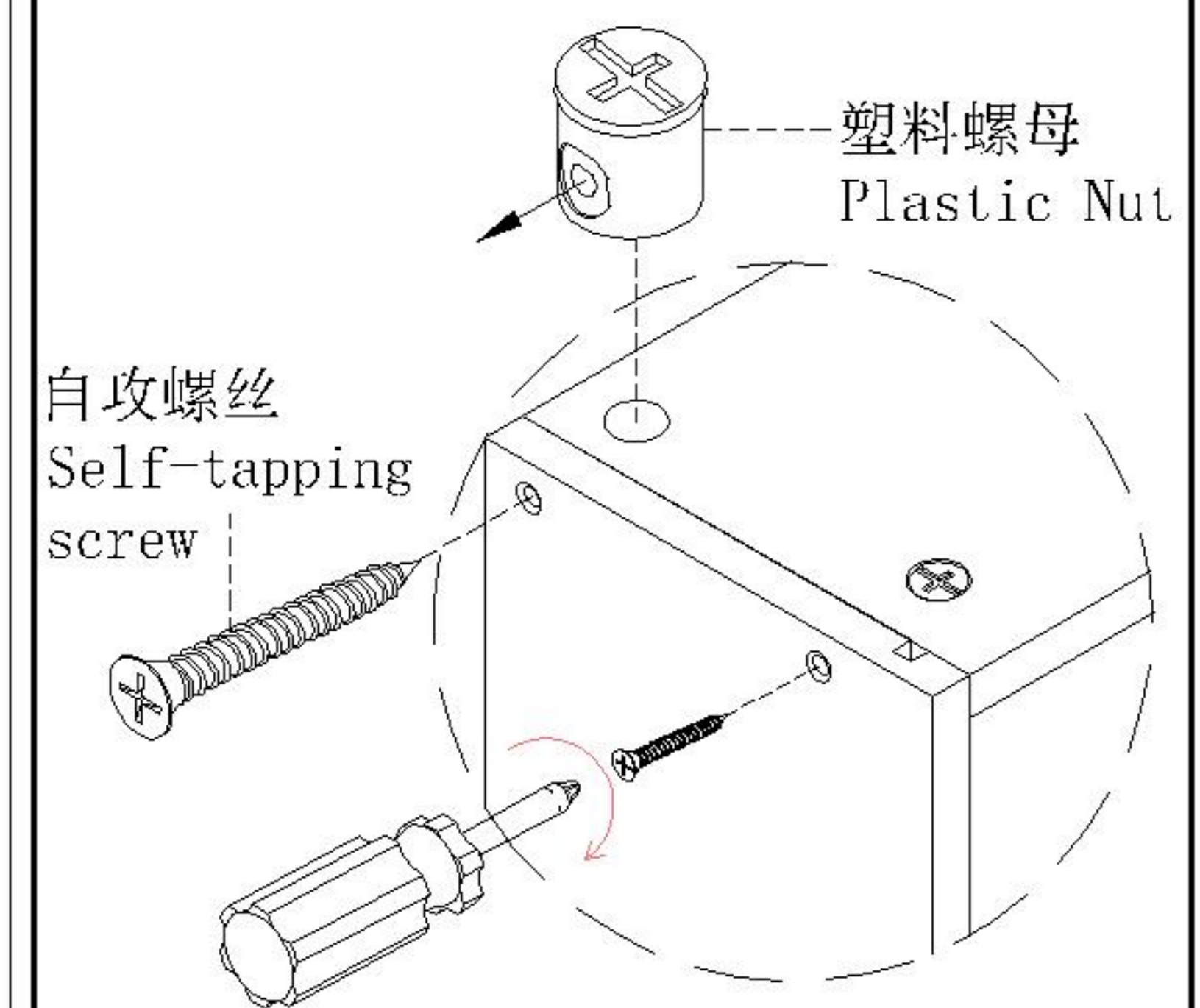
4

OV8A-C 1.2m 床身

安装方法/  
Installation method

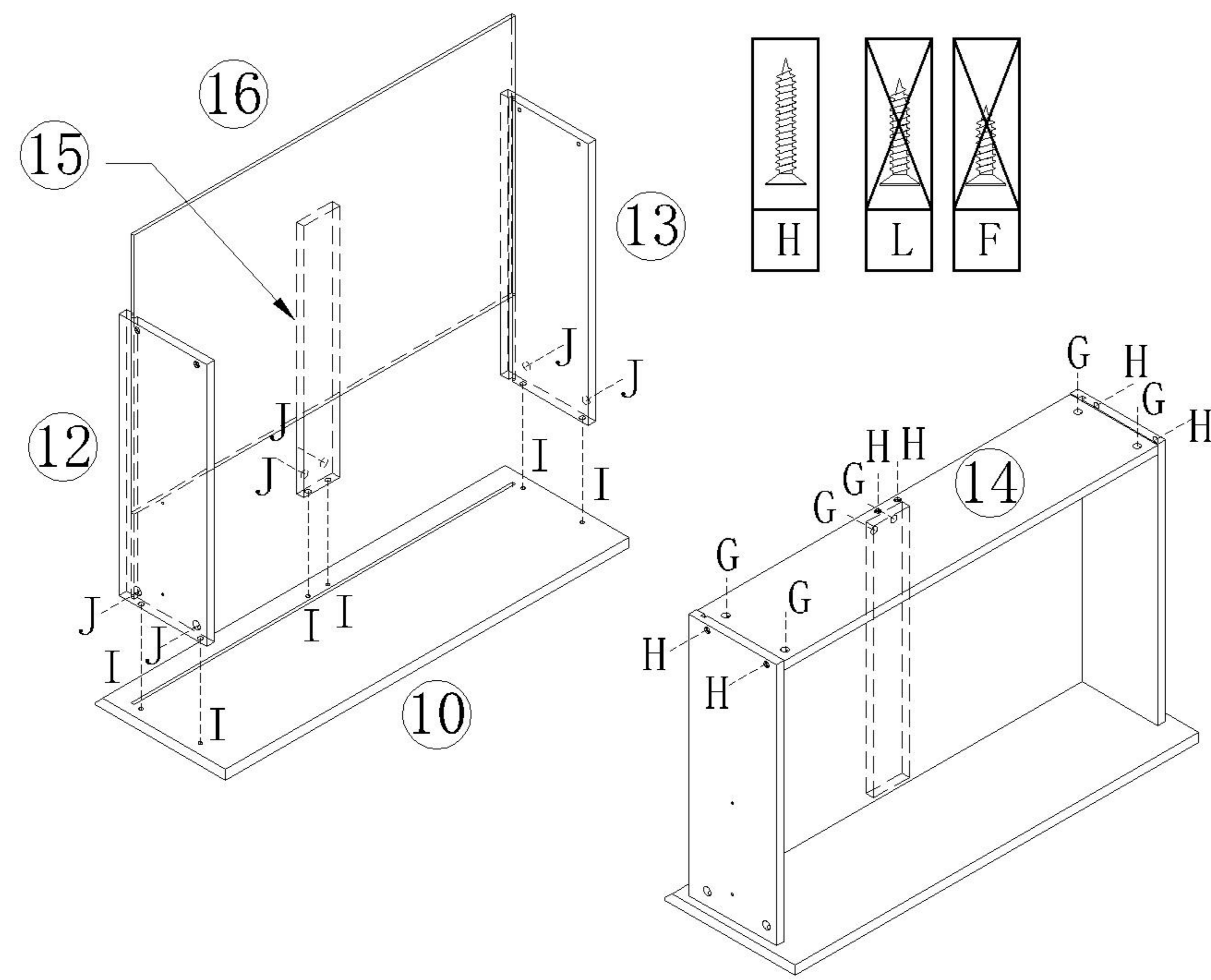


小二合一/two-in-one



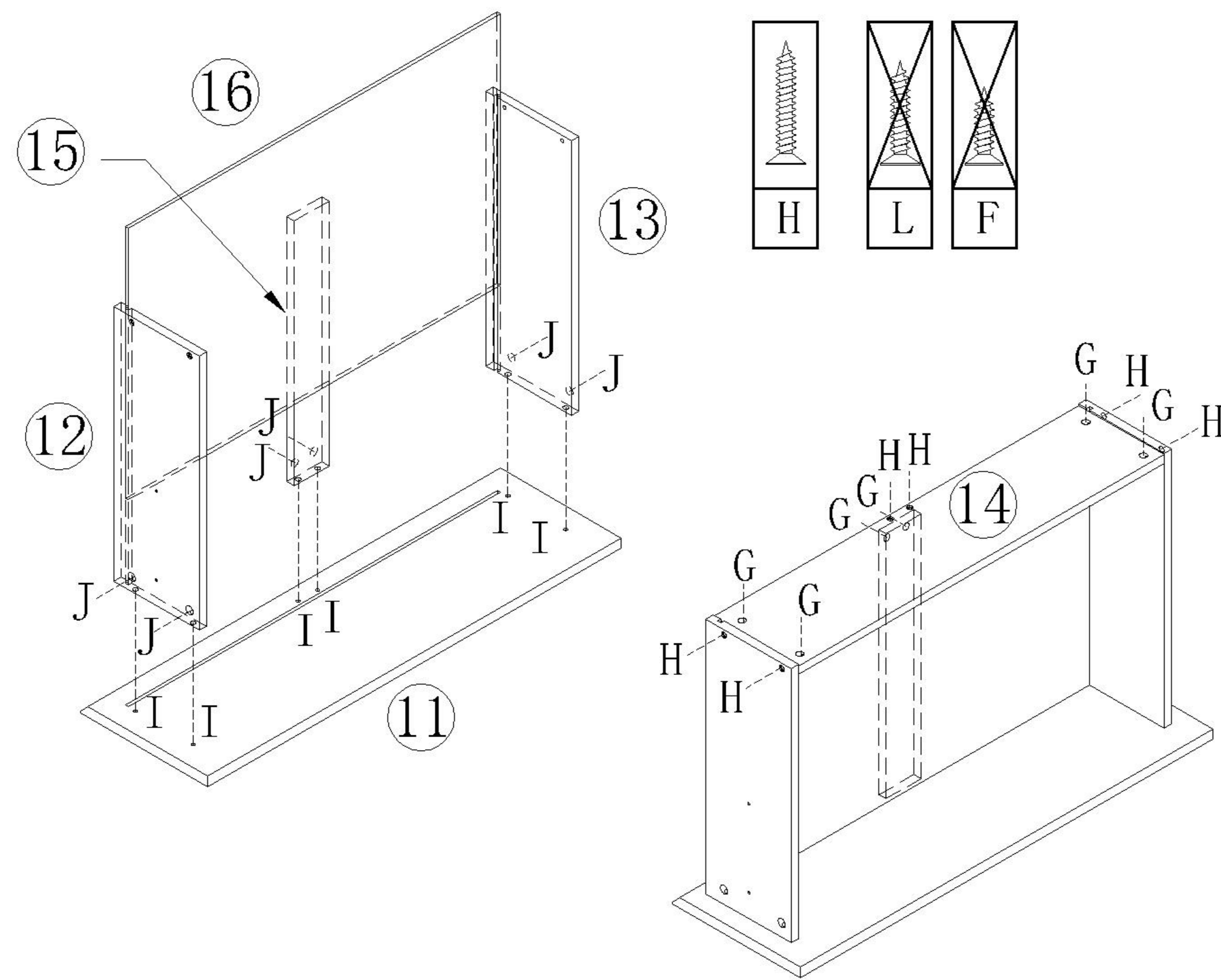
塑料螺母  
Plastic Nut

- (G)\*12
- (H)\*12
- (I)\*12
- (J)\*12



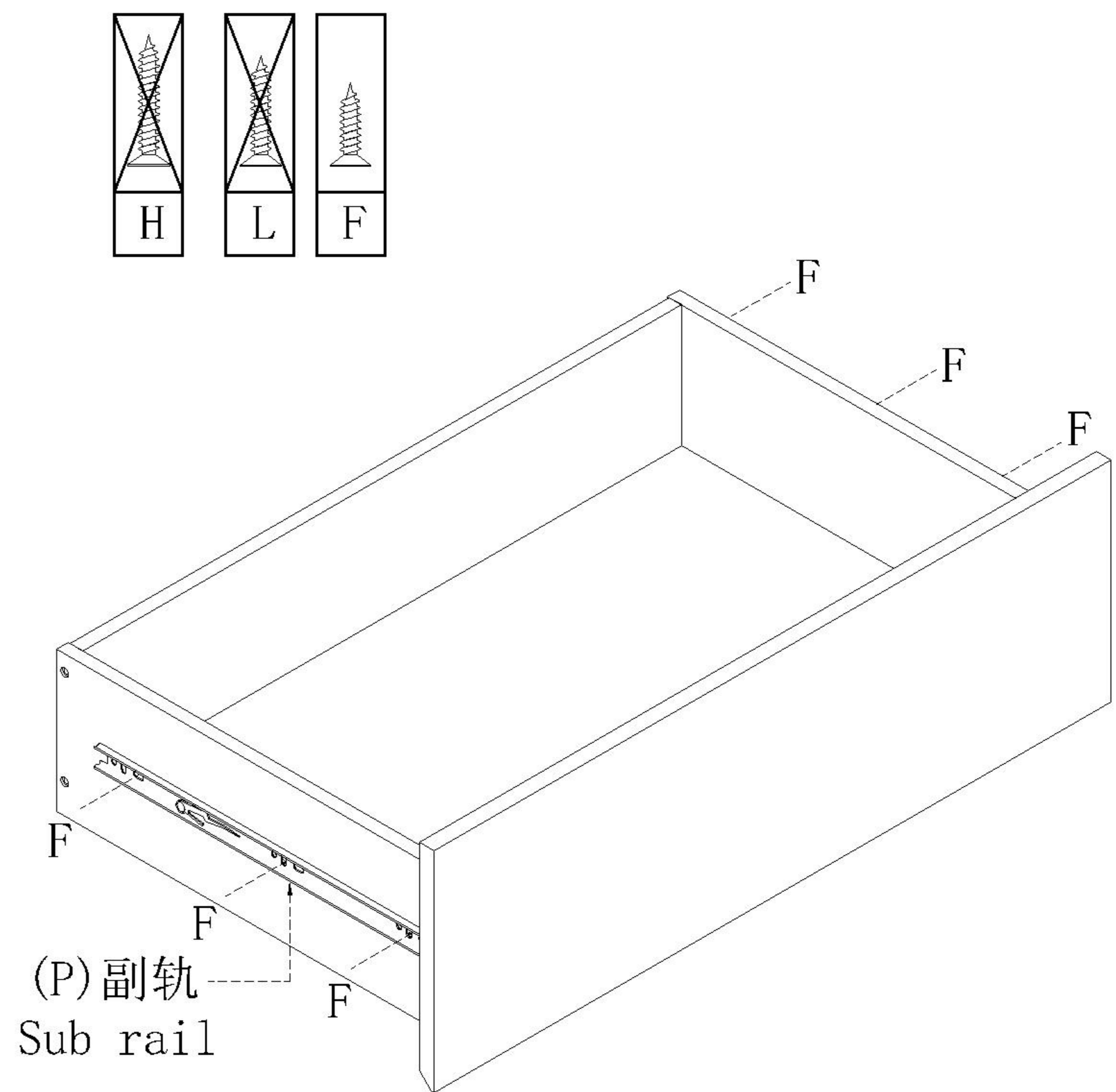
X2

- (G)\*6
- (H)\*6
- (I)\*6
- (J)\*6



3

- (F)\*6
- (P)\*1

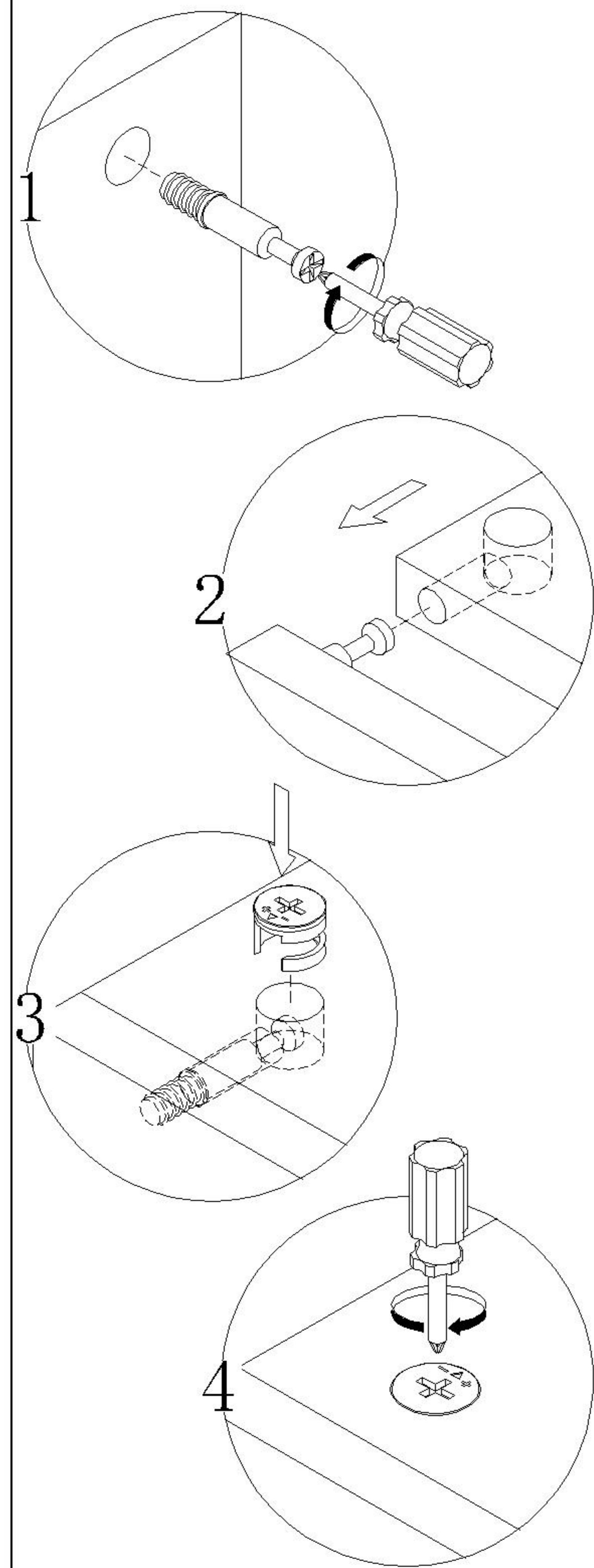


(P) 副轨  
Sub rail

4

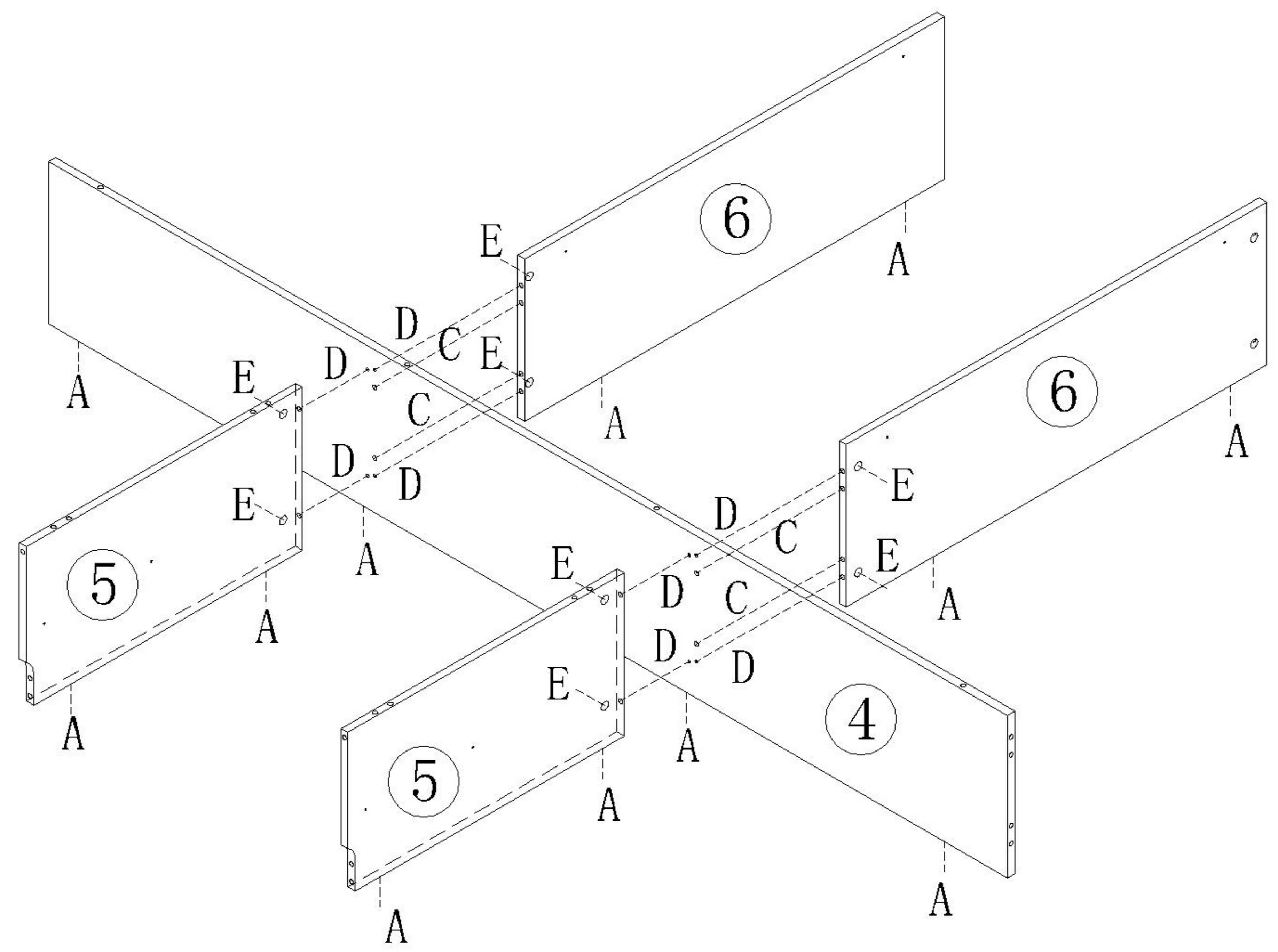


安装方法/  
Installation method

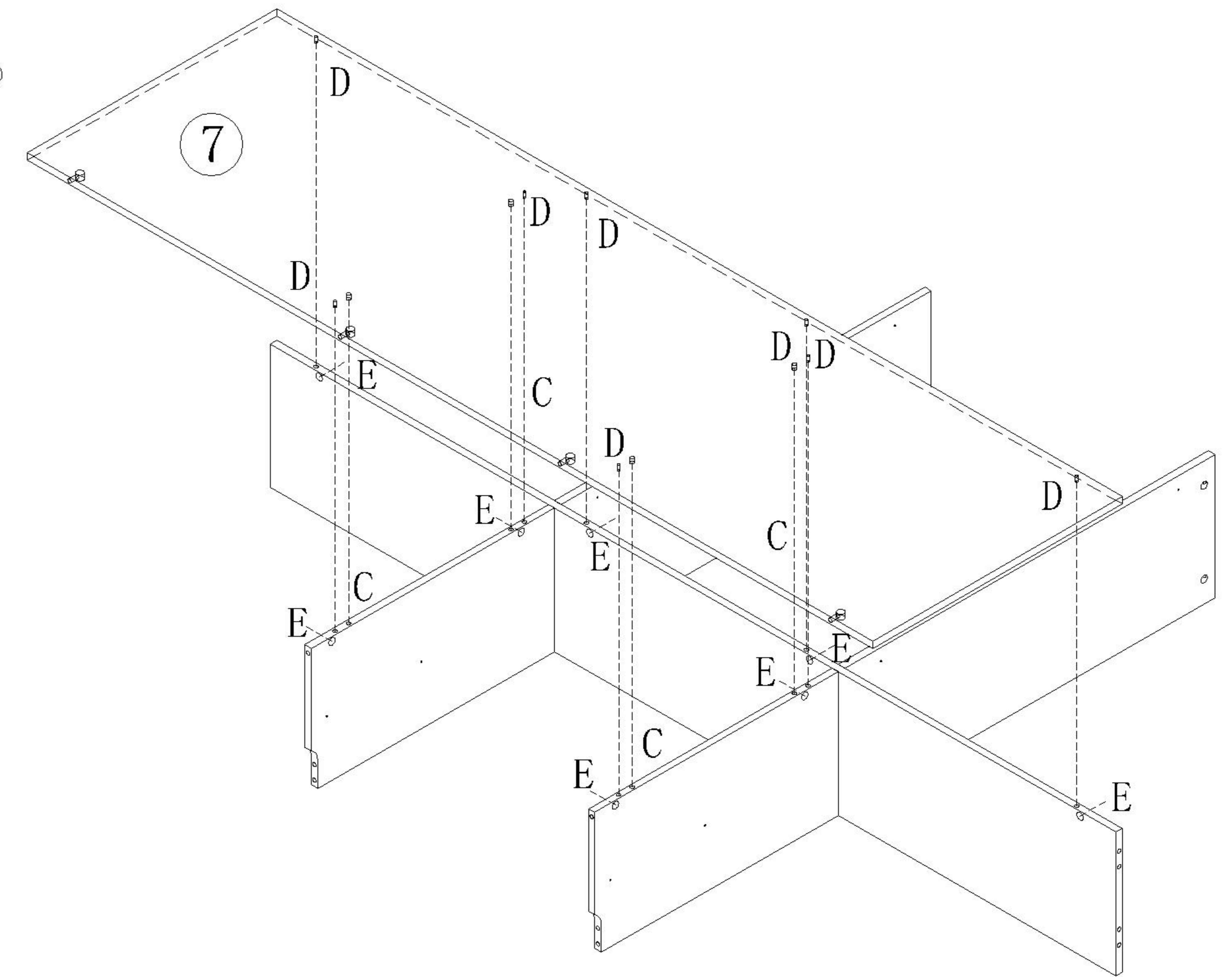


大二合一  
two-in-one

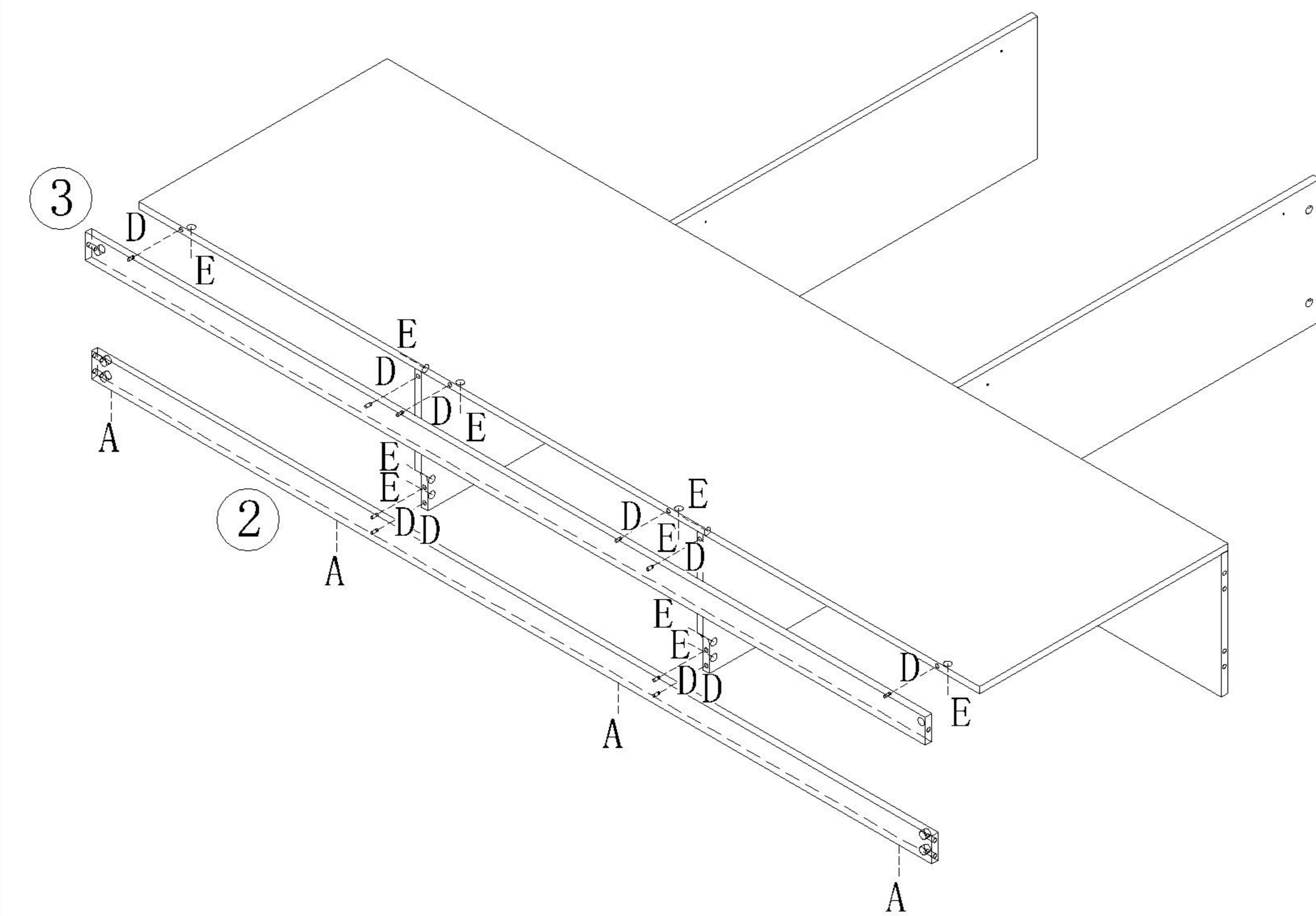
- (A)\*12
- (C)\*4
- (D)\*8
- (E)\*8



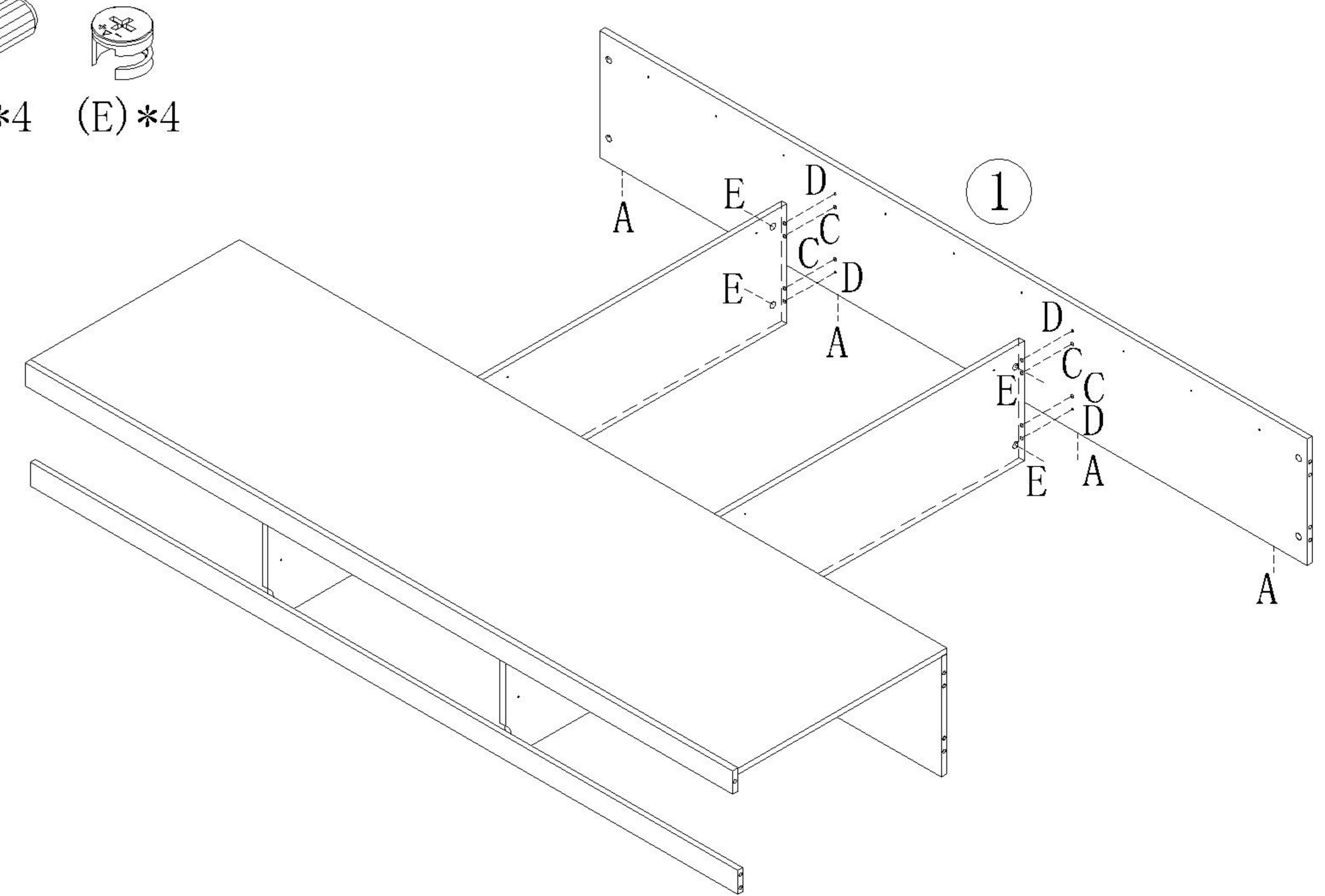
- (C)\*4
- (D)\*8
- (E)\*8



- (A)\*4
- (D)\*10
- (E)\*10



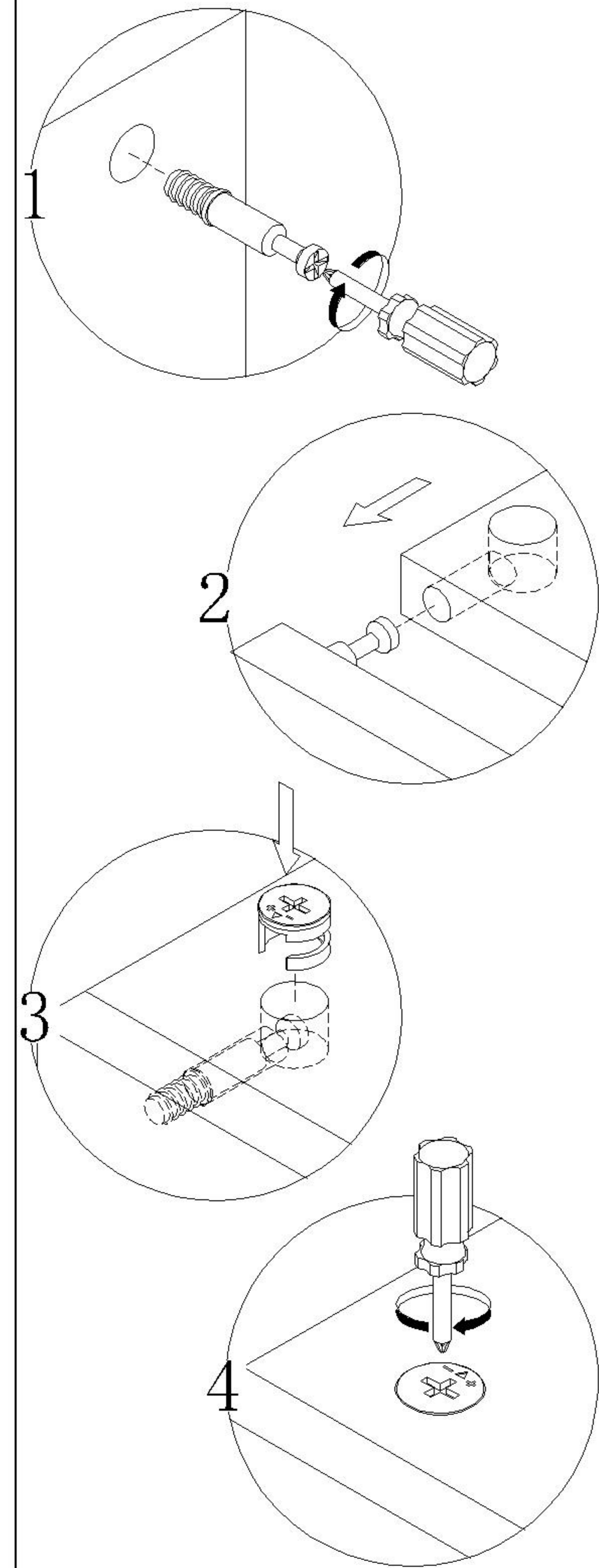
- (A)\*4
- (D)\*4
- (C)\*4
- (E)\*4



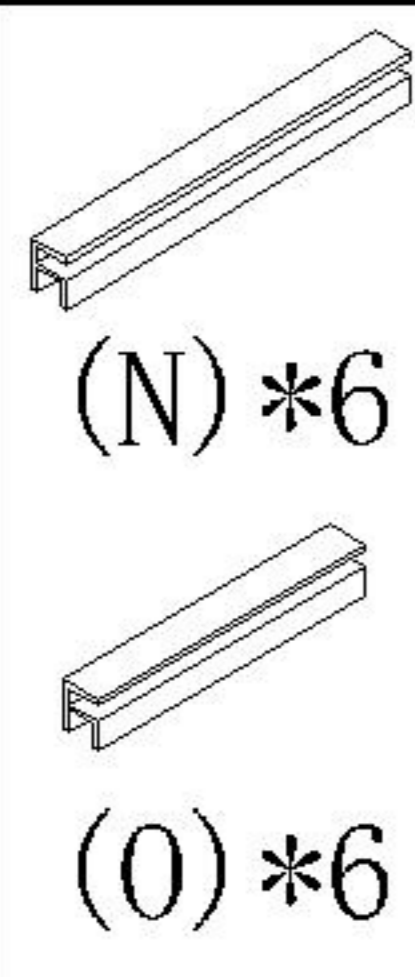


OV8A-C 1.2m 床身

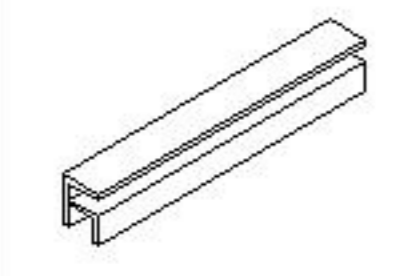
安装方法/  
Installation method



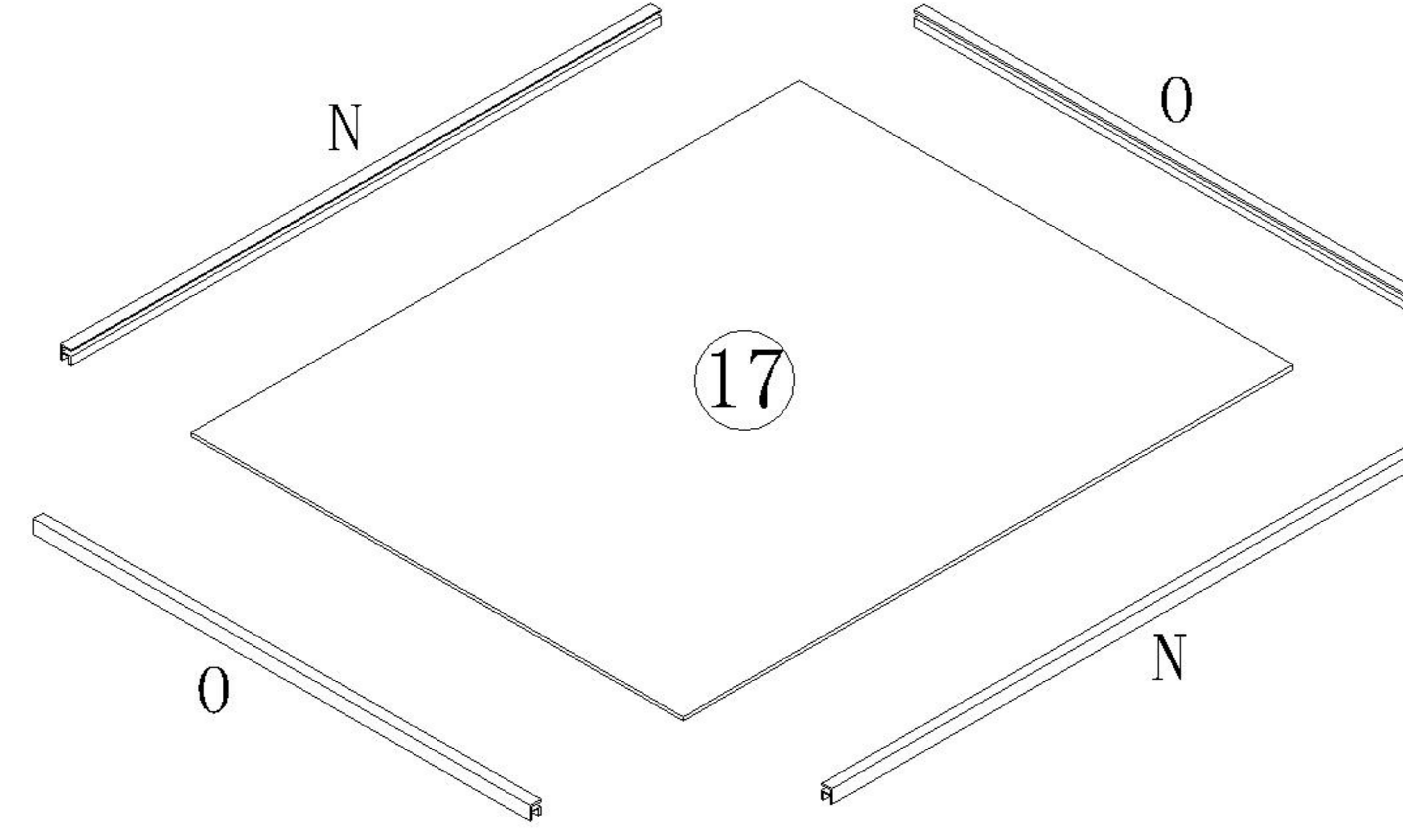
大二合一  
two-in-one



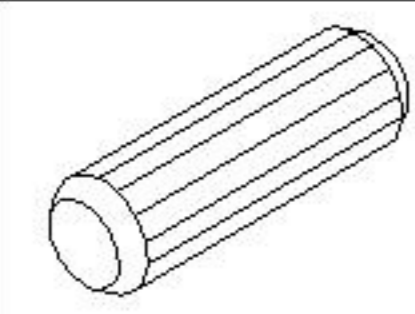
(N)\*6



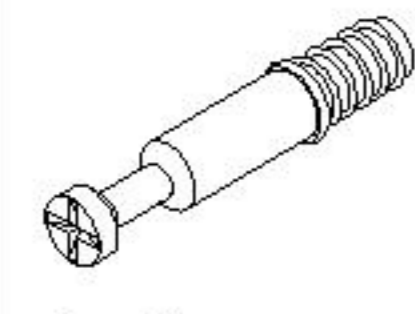
(O)\*6



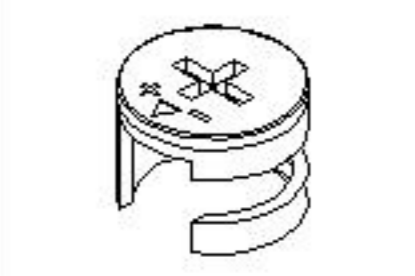
X3



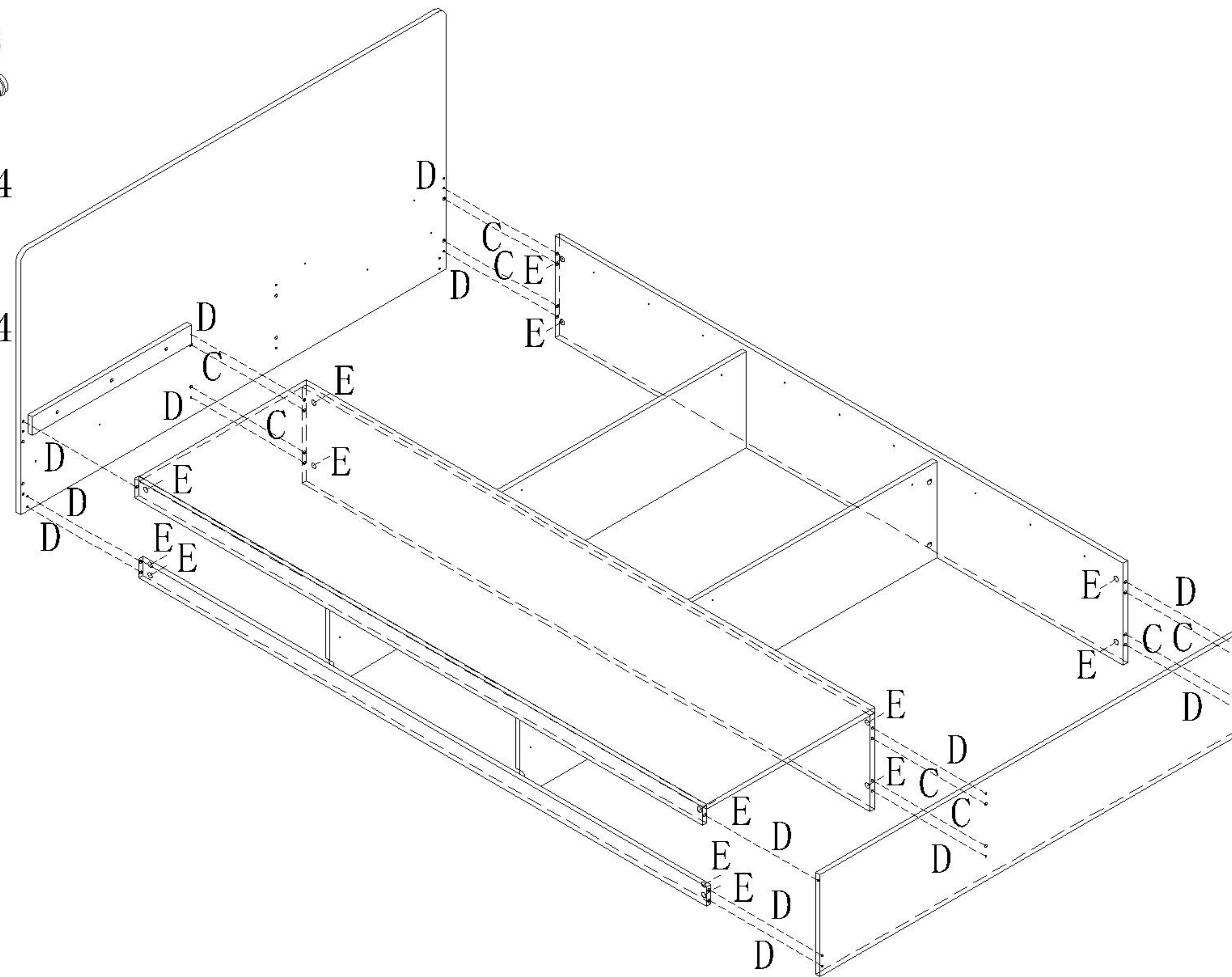
(C)\*8



(D)\*14



(E)\*14

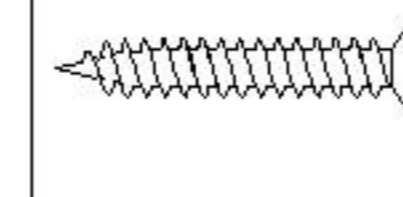


11

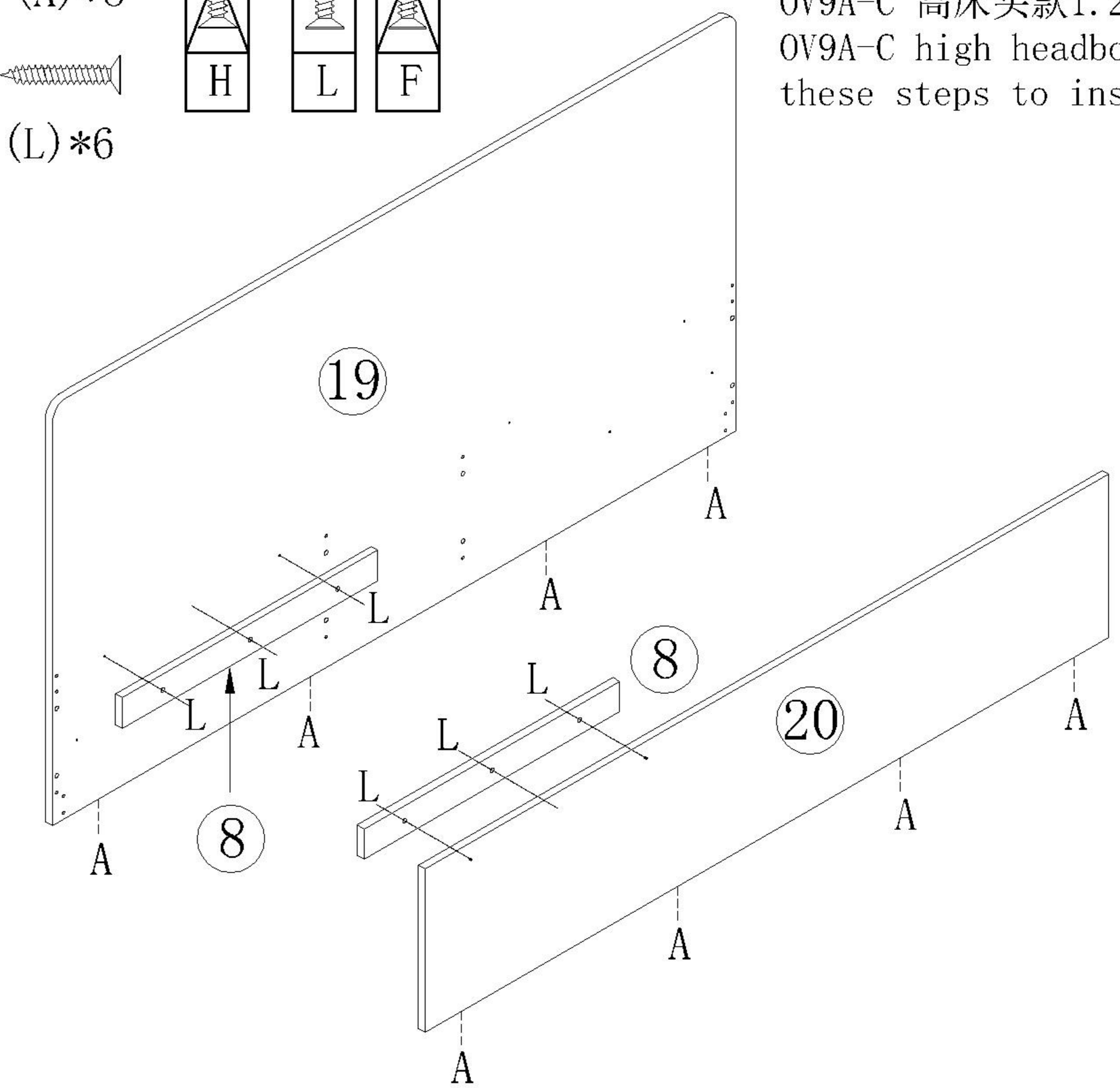
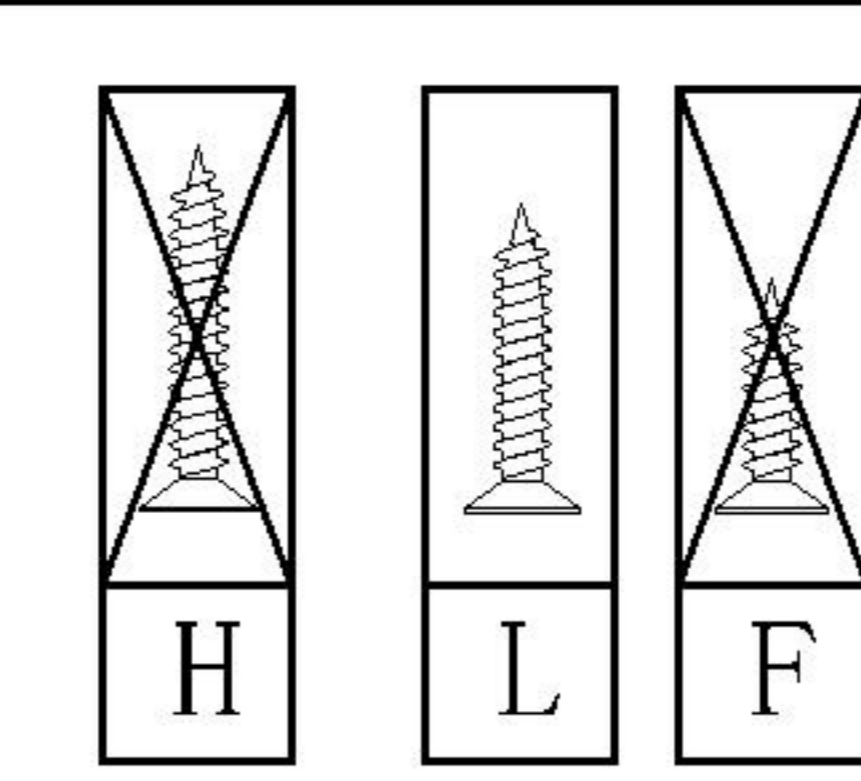
9



(A)\*8



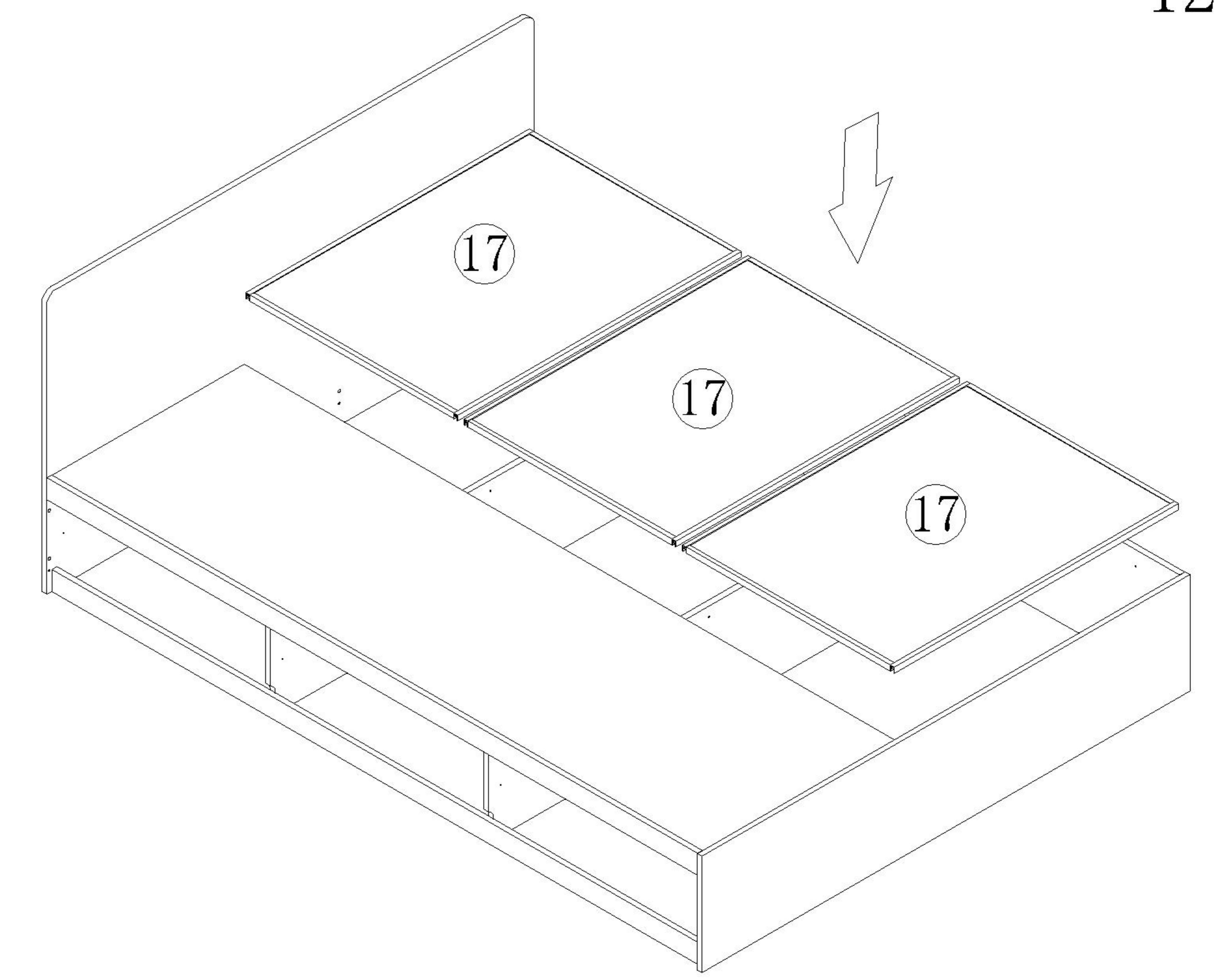
(L)\*6



OV9A-C 高床头款1.2米 按以下步骤安装  
OV9A-C high headboard 1.2m Follow these steps to install

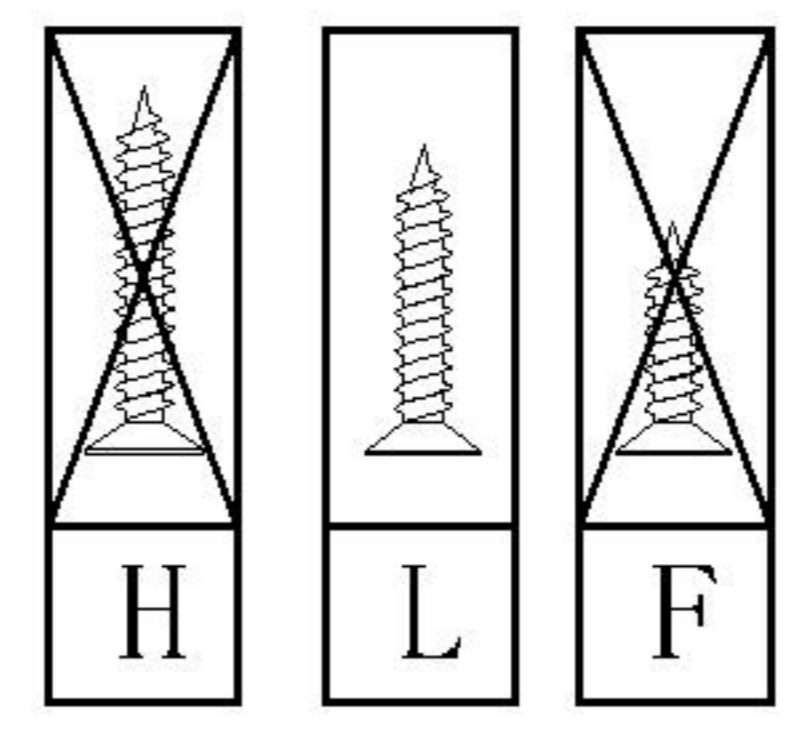
10

12

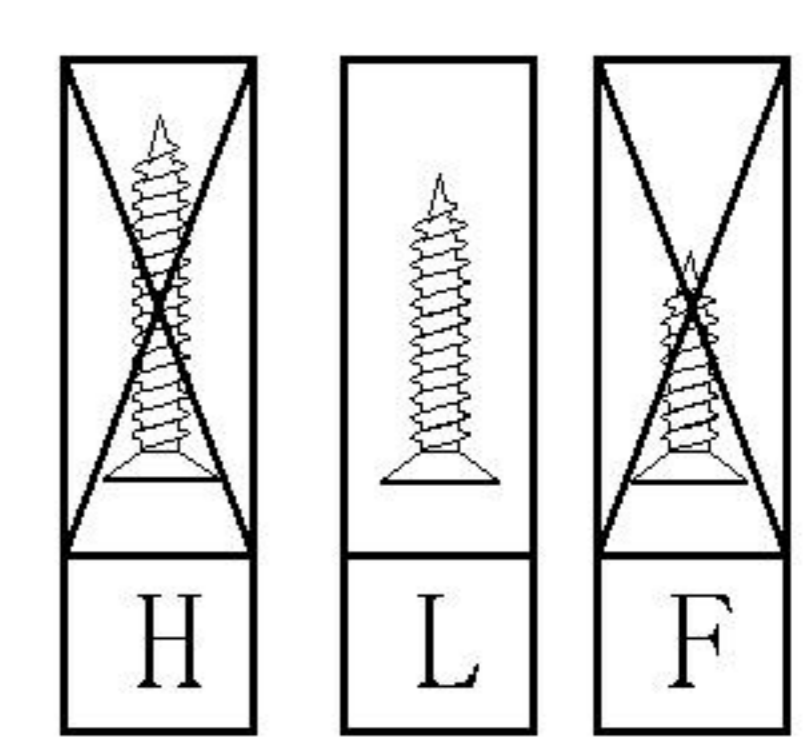




(L)\*12

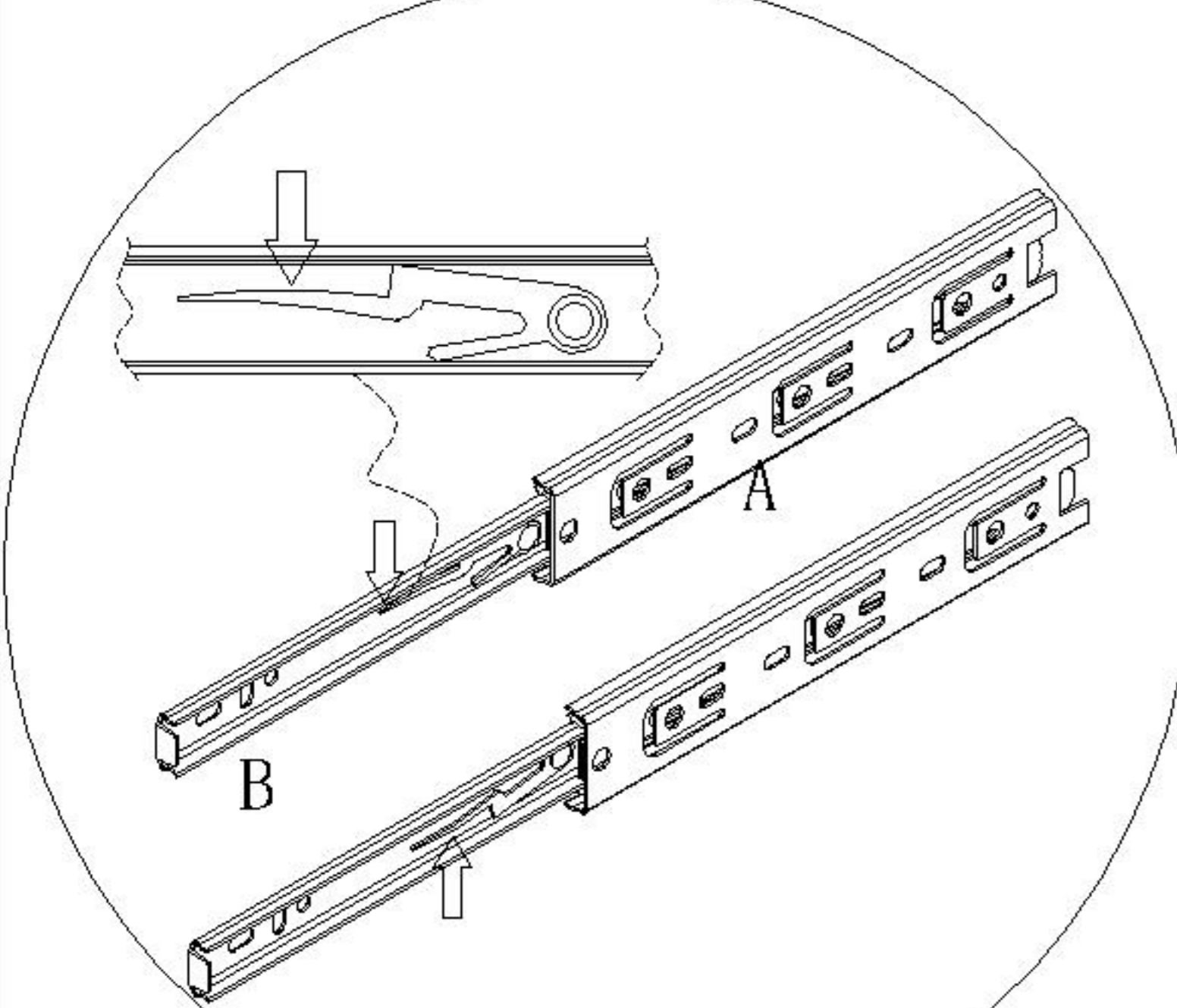


13 (L)\*18



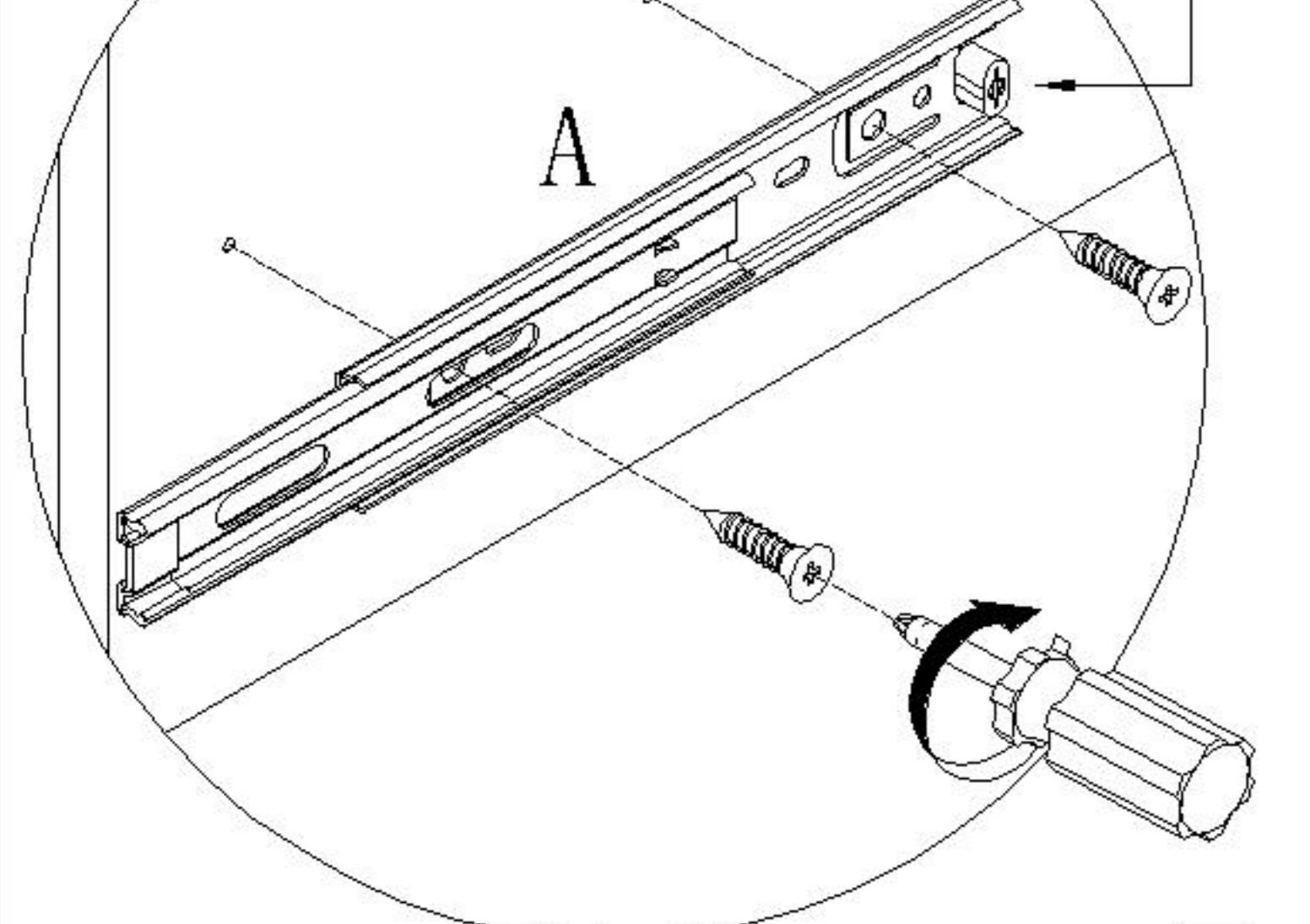
安装方法/  
Installation method

1 阀门开关(下压为开)  
Valve switch  
(press down to open)

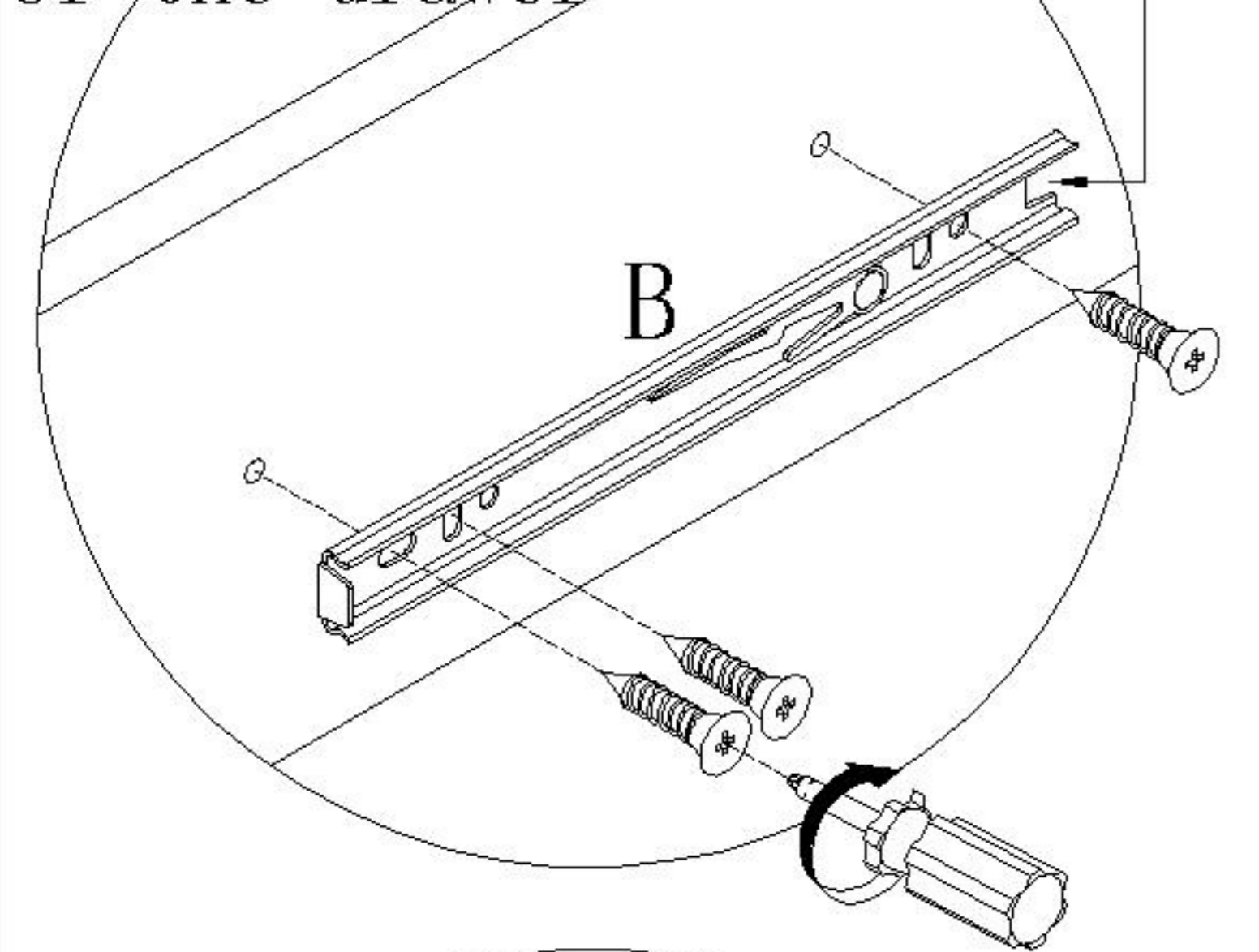


注: 先将A与B拆下来  
Note: remove a and B first

2 侧板  
side board



3 抽屉侧板  
sideboard  
of the drawer

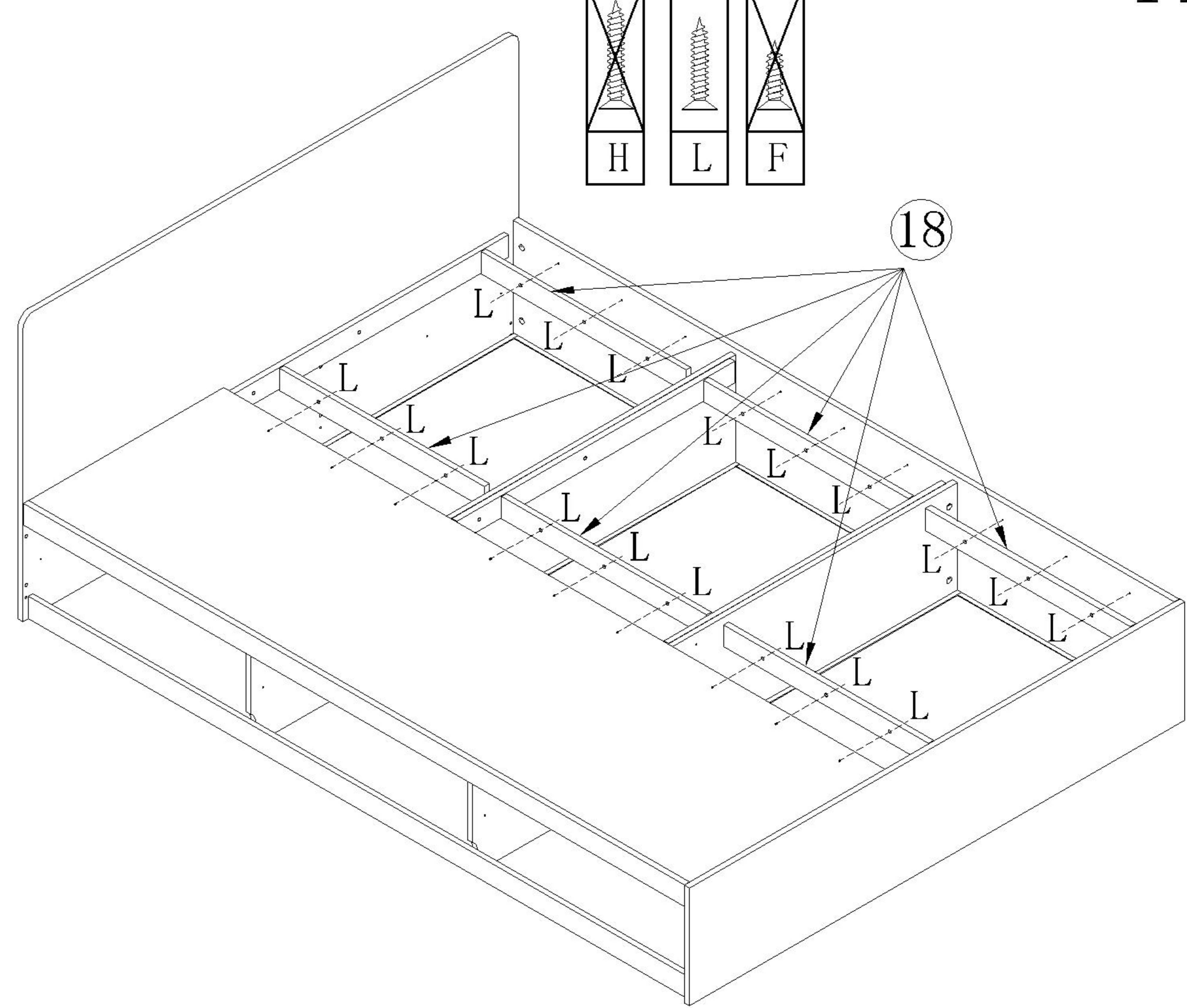
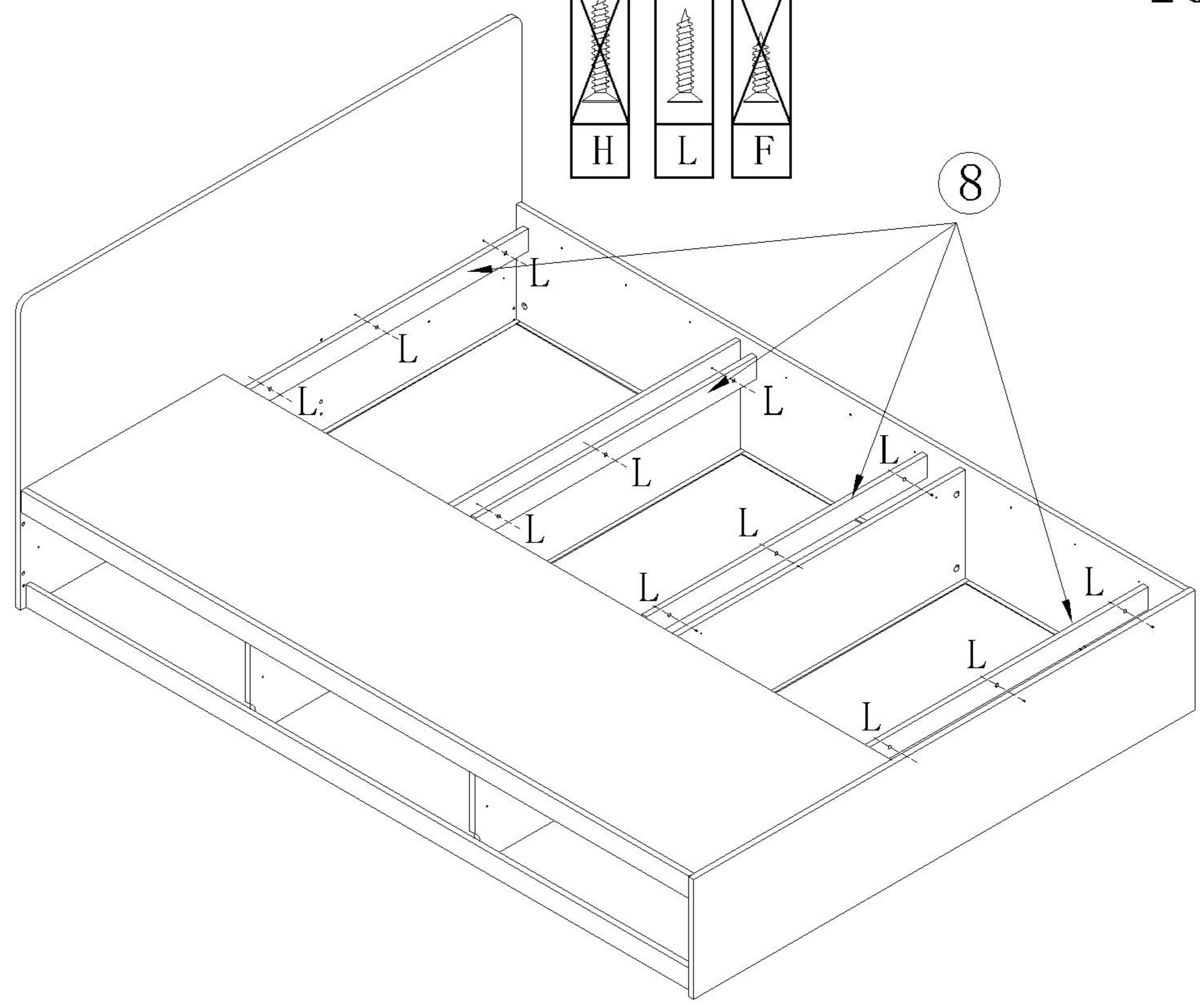


4 5



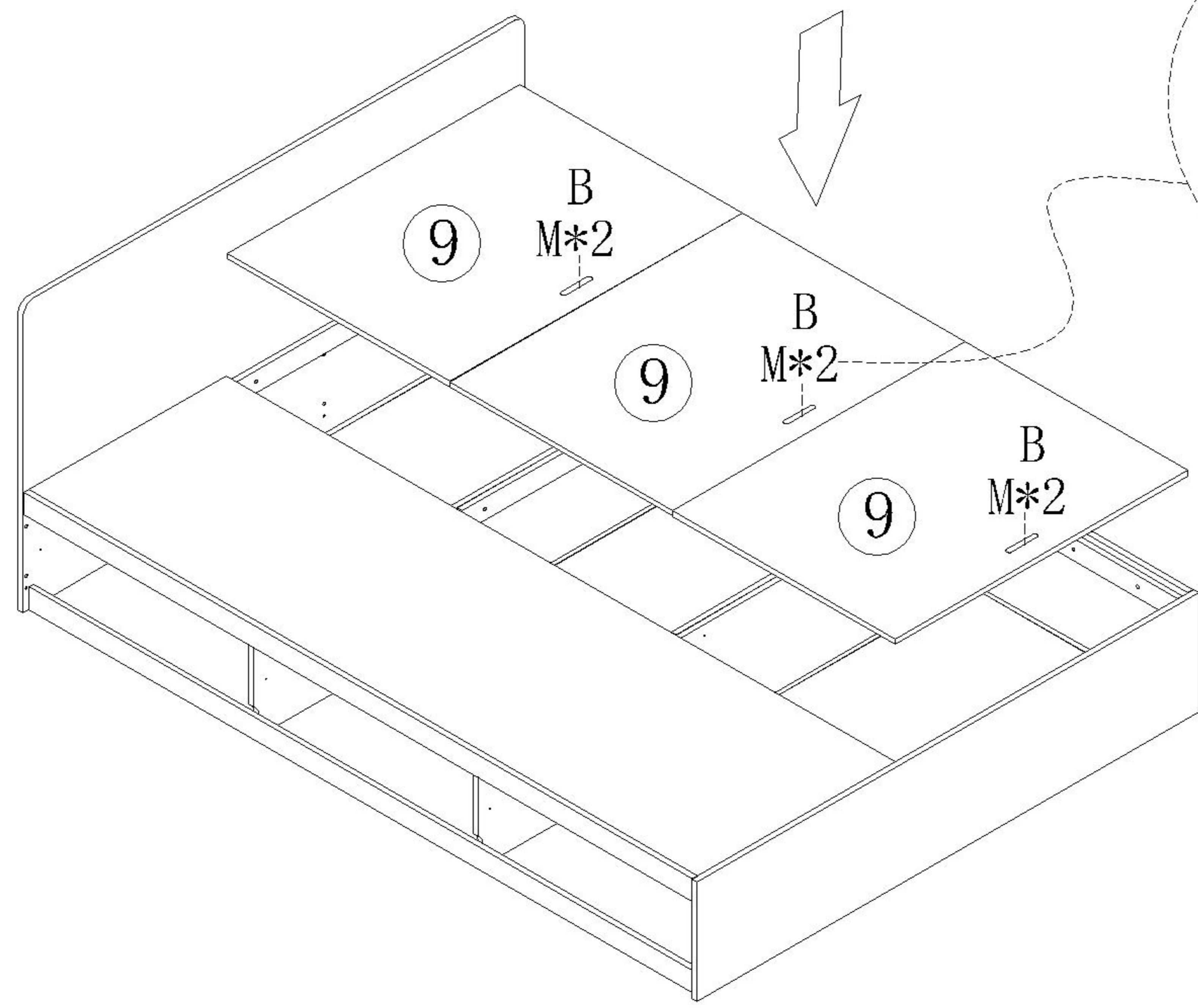
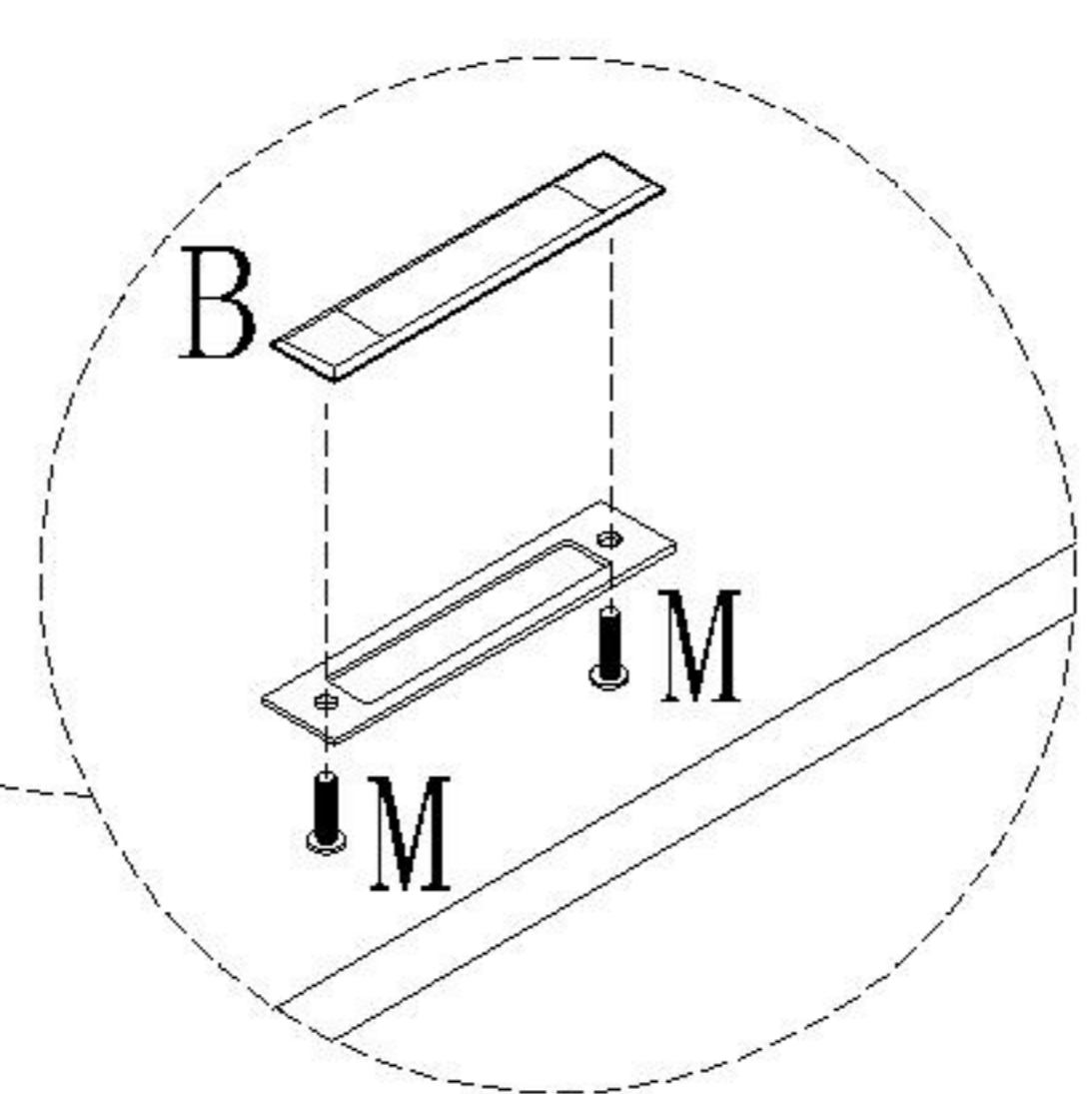
注: 将B对准A后推进去  
Note: align B with a and push it in

三节滚珠导轨  
three-section ball rail

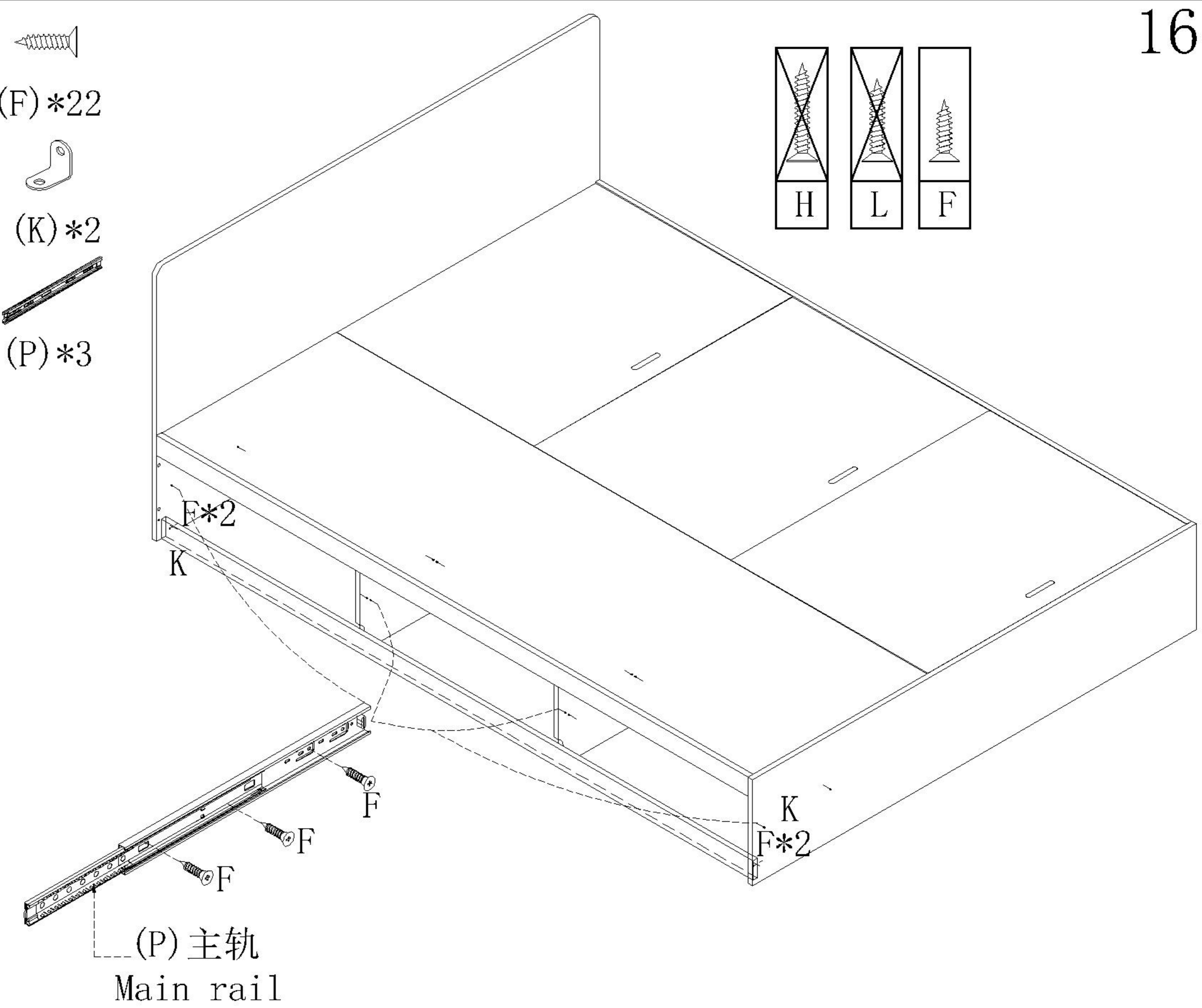
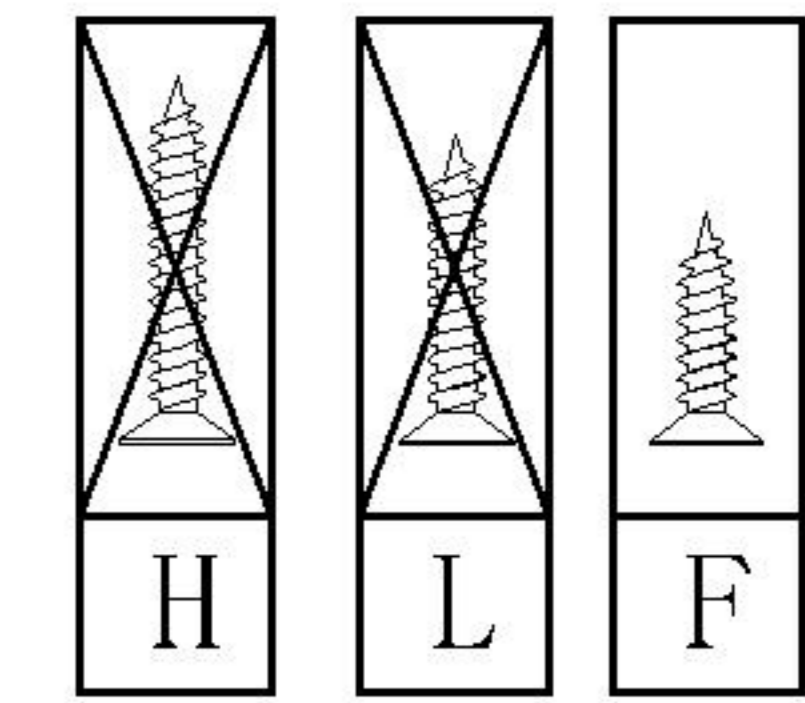


(B)\*3 (M)\*6

注意! 安装五金B时请勿使用五金B内拉手螺丝安装, 需使用五金M进行安装。  
Attention! When installing hardware B, do not use the internal handle screws of hardware B for installation. Instead, use hardware M for installation.



15 (F)\*22 (K)\*2 (P)\*3

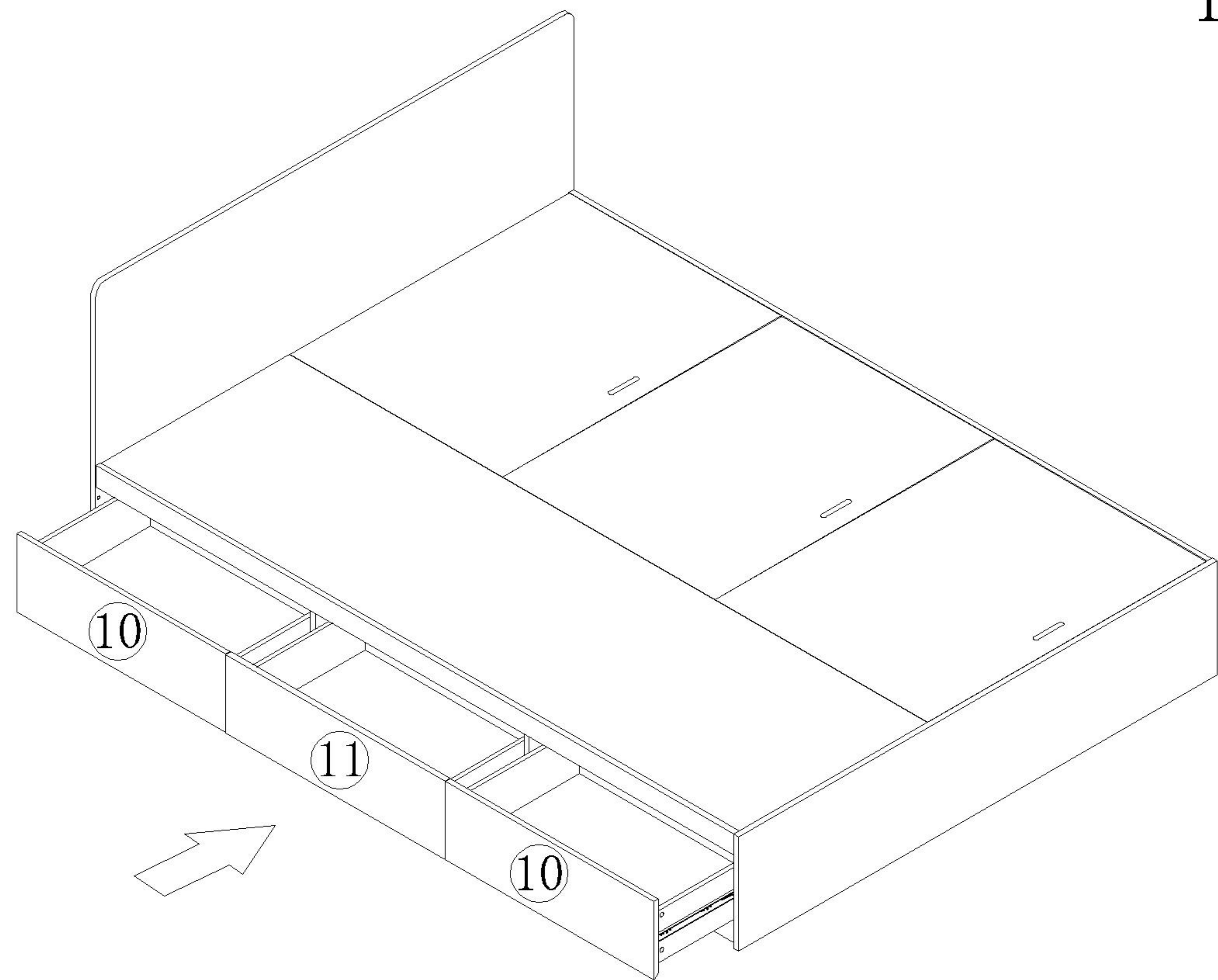


(P) 主轨  
Main rail



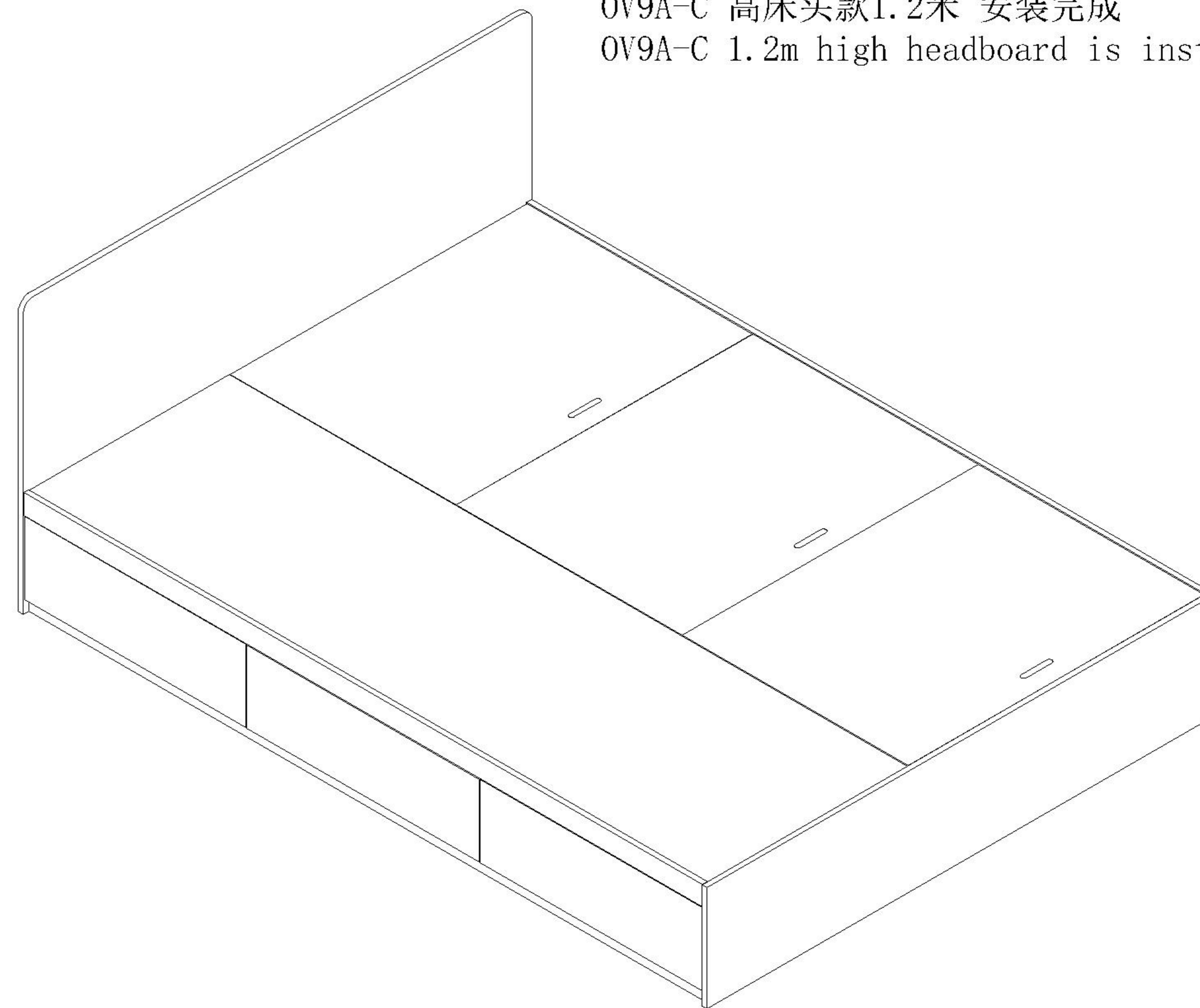
OV8A-C 1.2m 床身

安装方法/  
Installation method

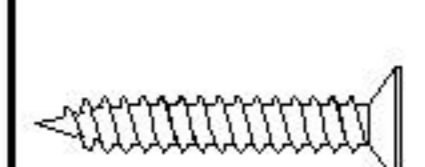


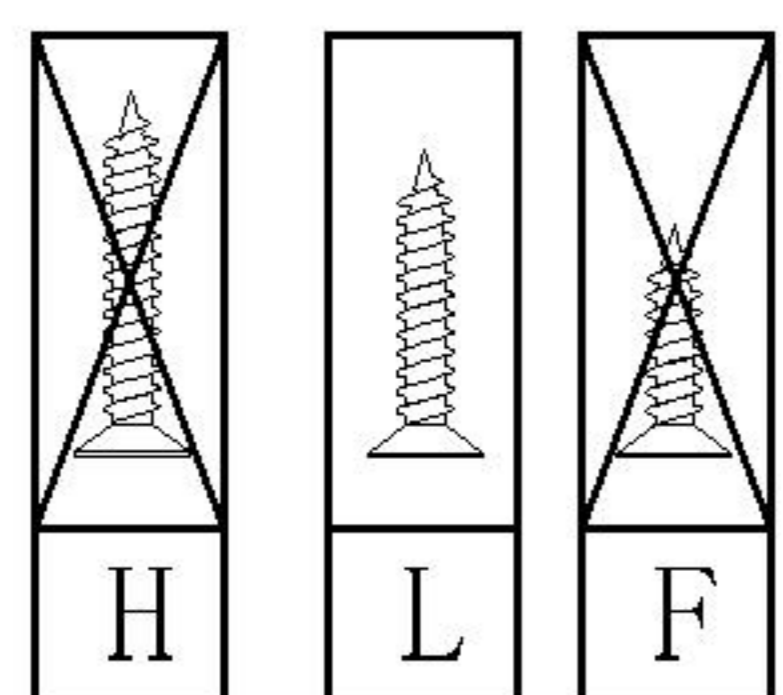
17

OV9A-C 高床头款1.2米 安装完成  
OV9A-C 1.2m high headboard is installed



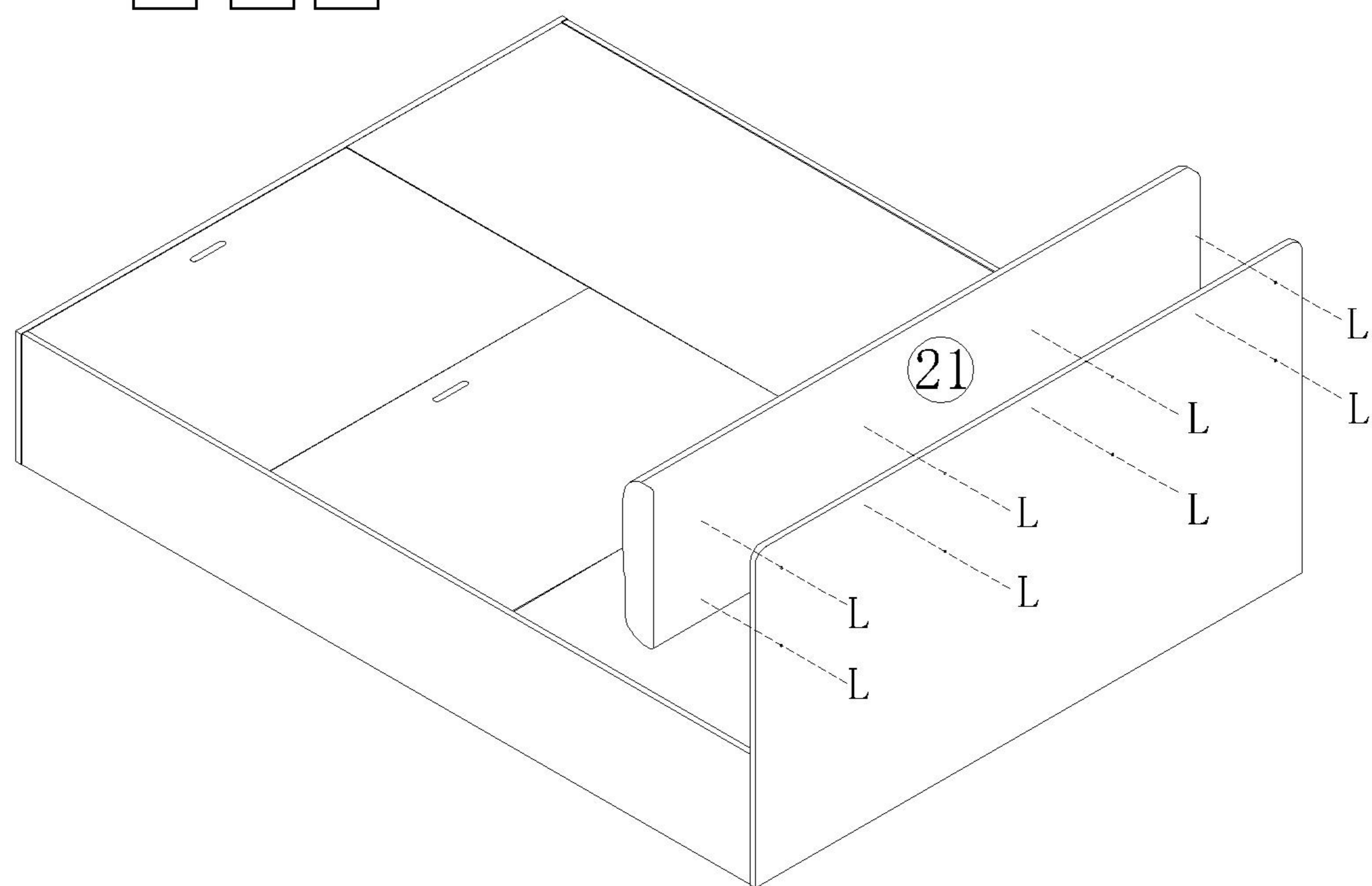
18

  
(L)\*8



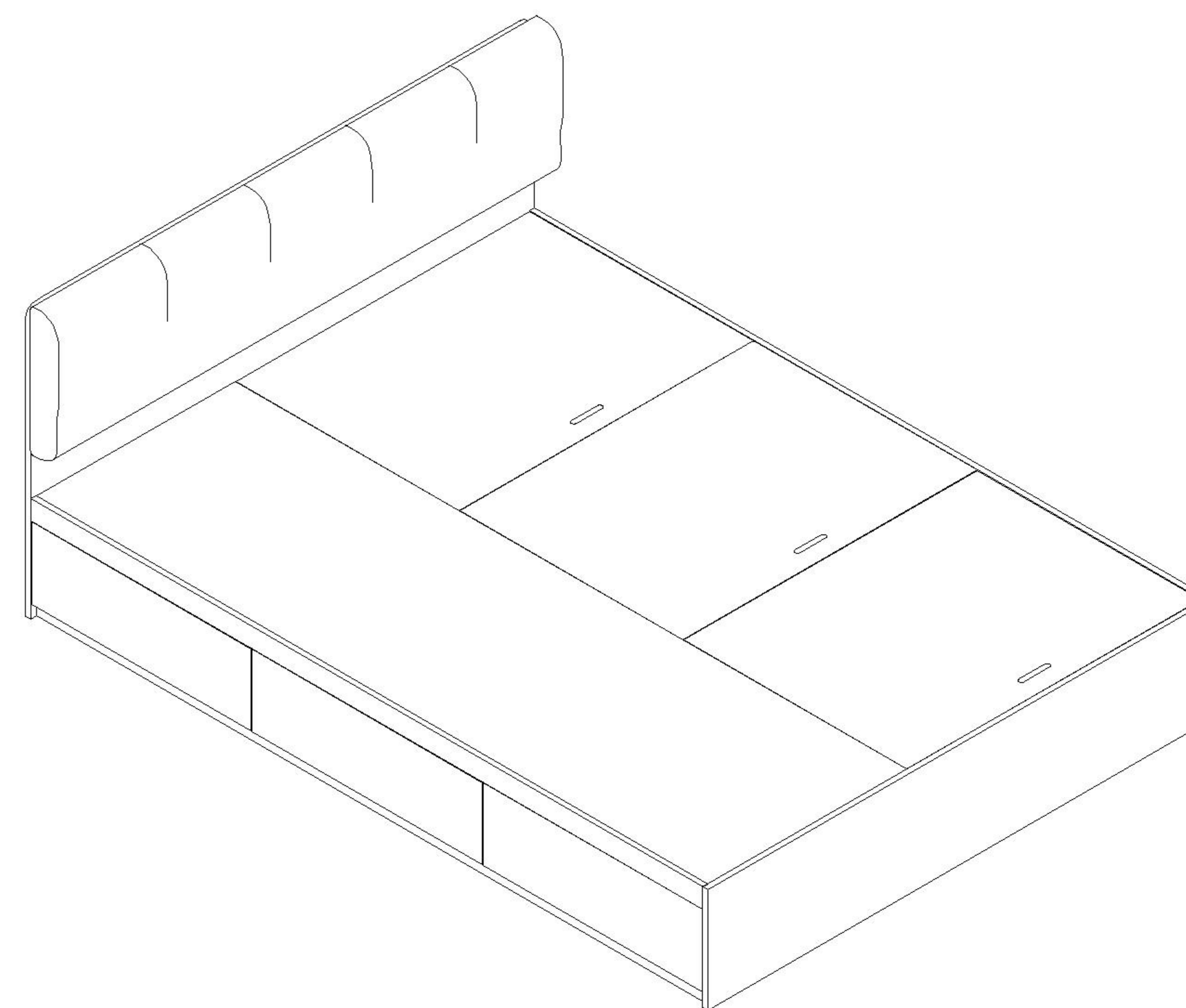
OV10A-C 软包床头款1.2米 按以下步骤安装  
OV10A-C soft bag headboard 1.2m Follow the steps below to install

19



OV10A-C 软包床头款1.2米 安装完成  
OV10A-C soft bag headboard 1.2m installation completed

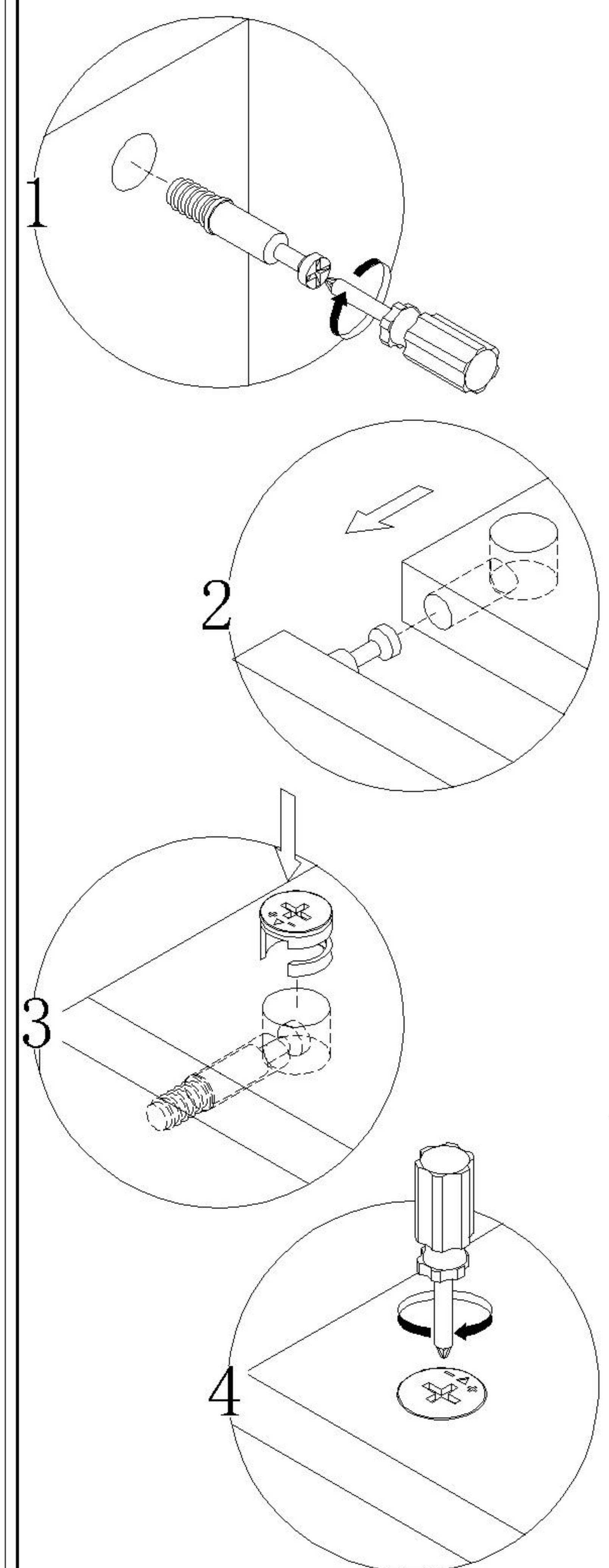
20





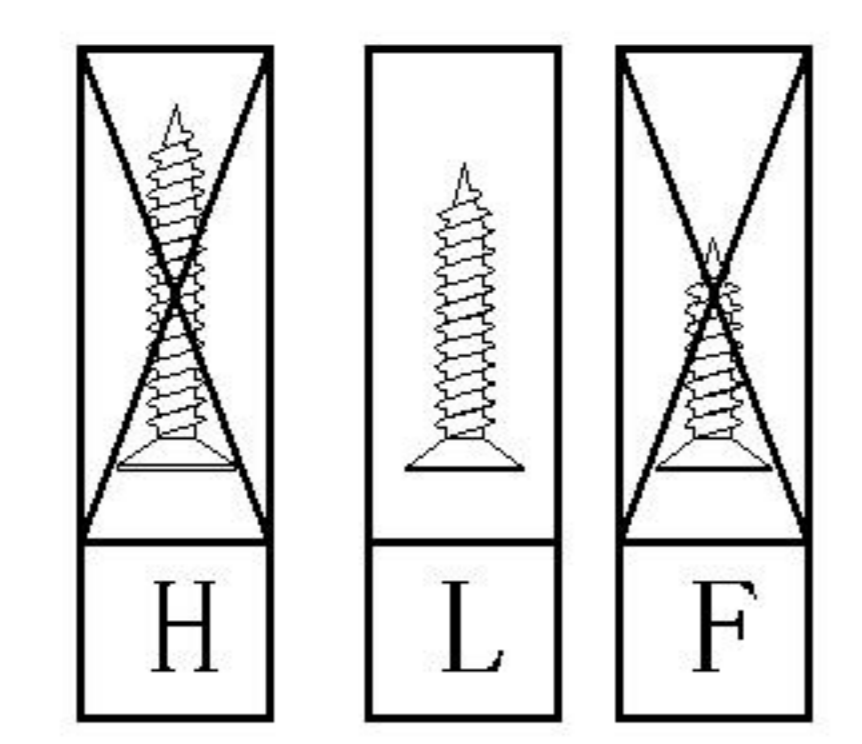
OV8A-C 1.2m 床身

安装方法/  
Installation method

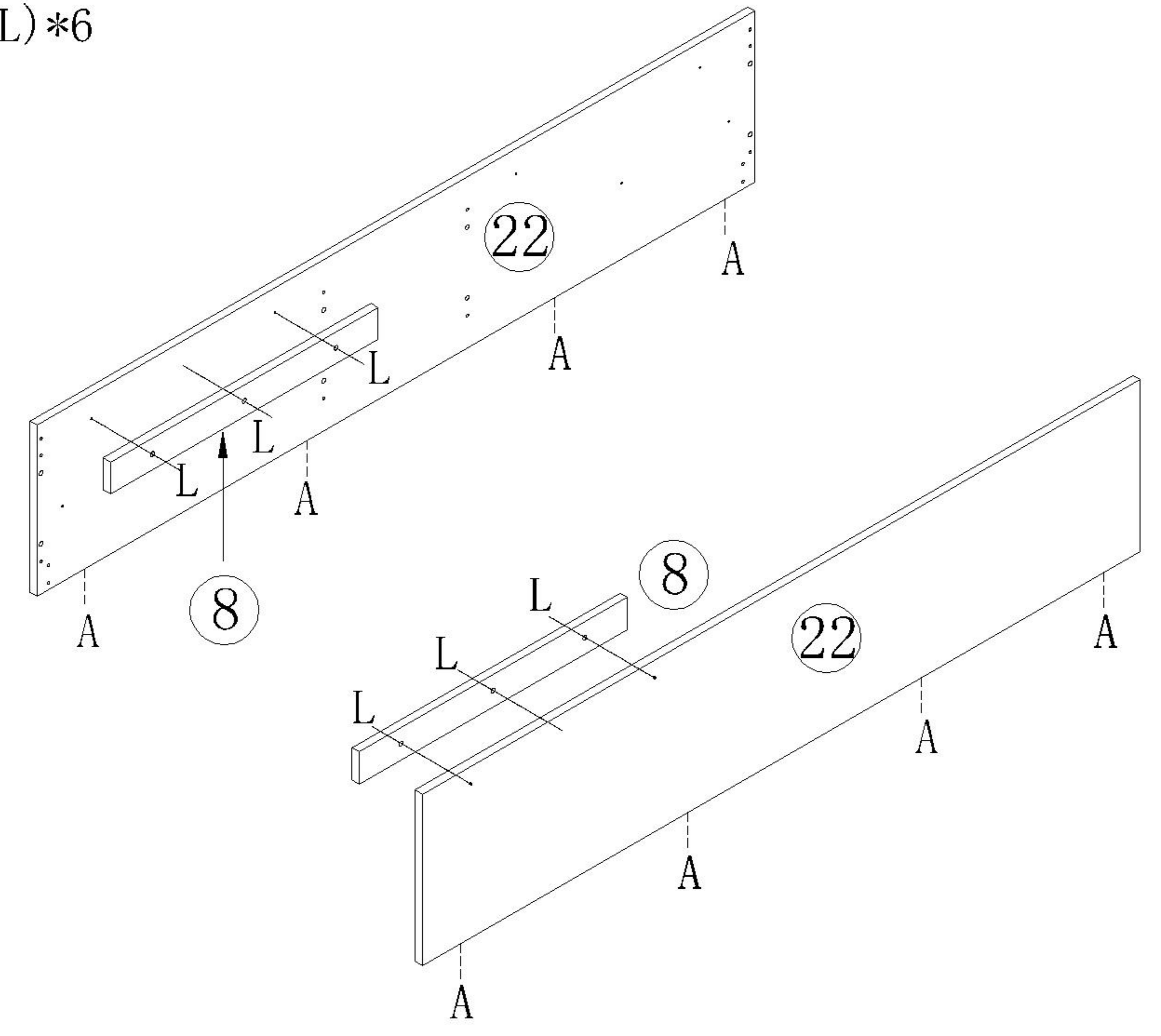


大二合一  
two-in-one

(A)\*8  
(L)\*6

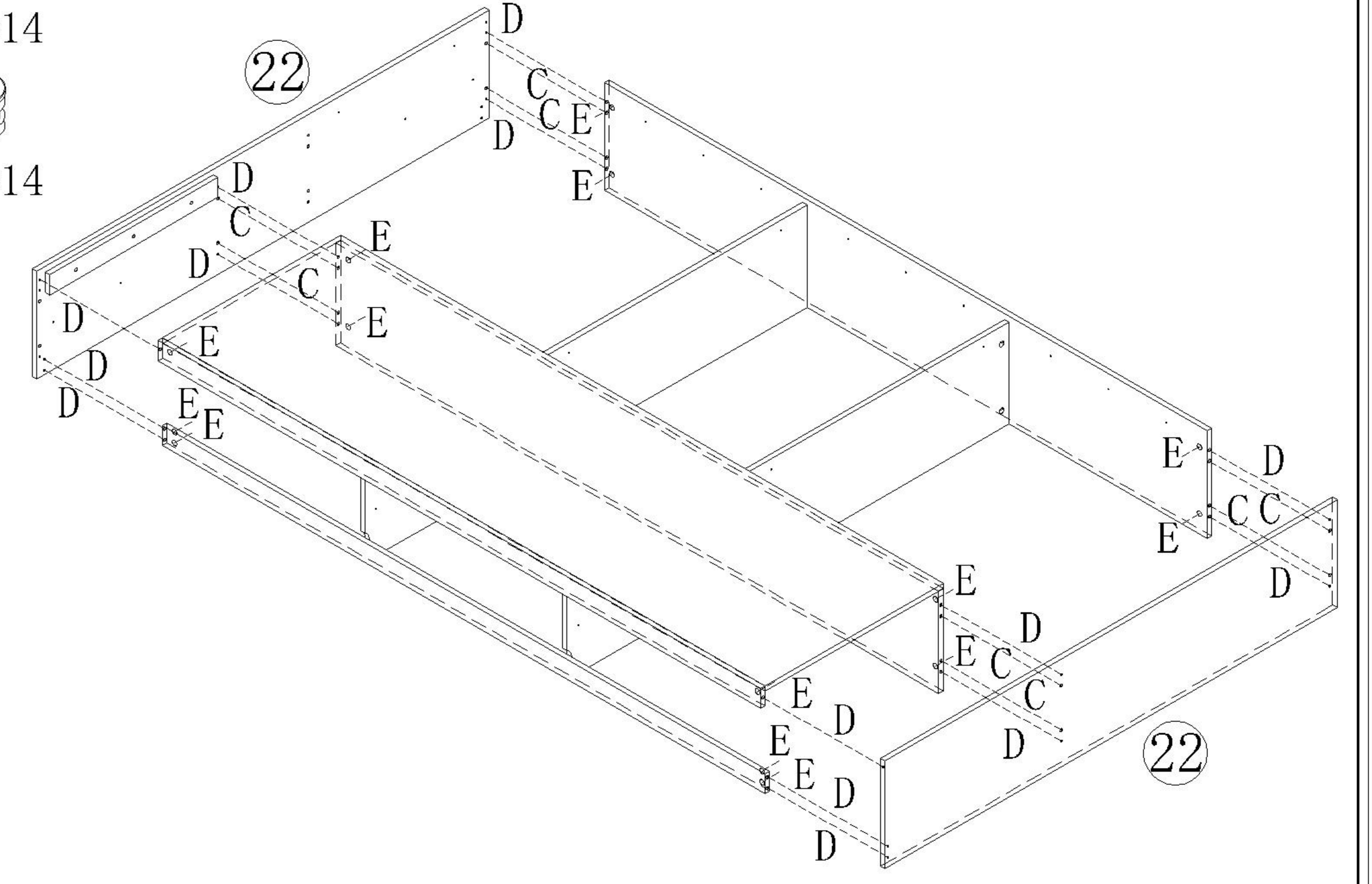


OV8A-C 矮床头款1.2米 按以下步骤安装  
OV8A-C Low Headboard 1.2m Follow  
the steps below to install



21

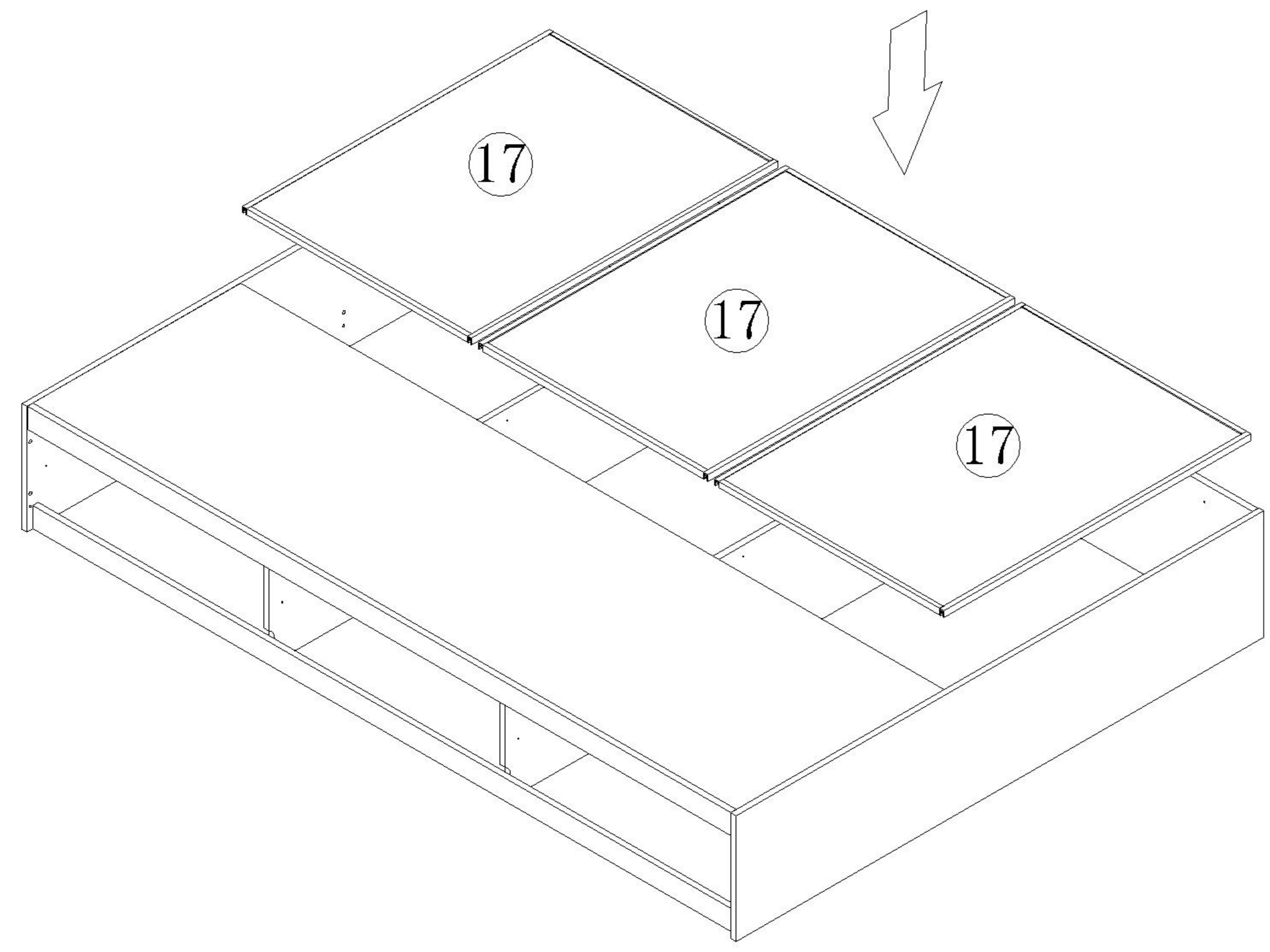
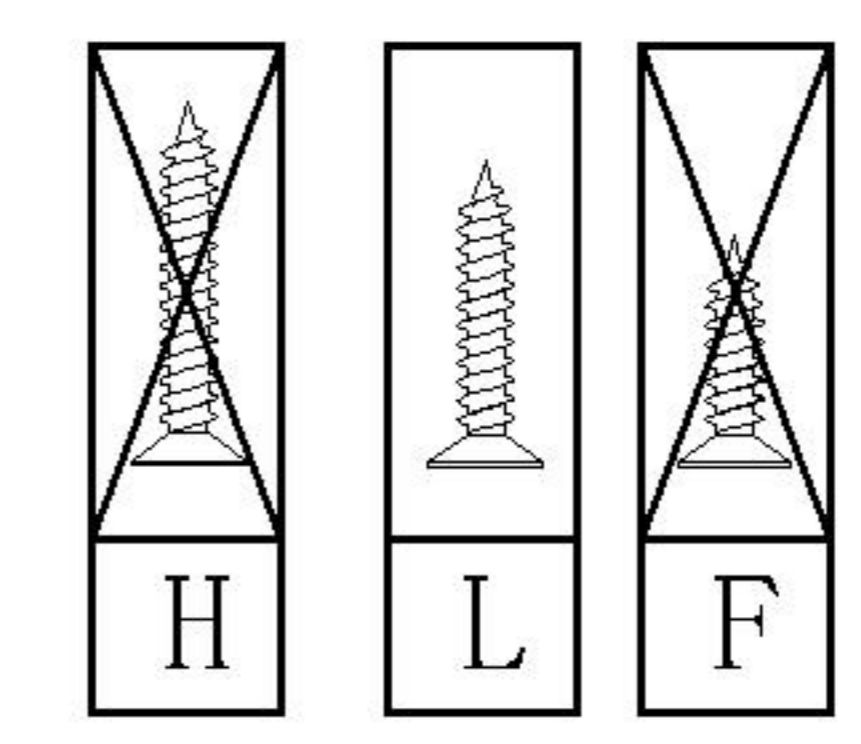
(C)\*8  
(D)\*14  
(E)\*14



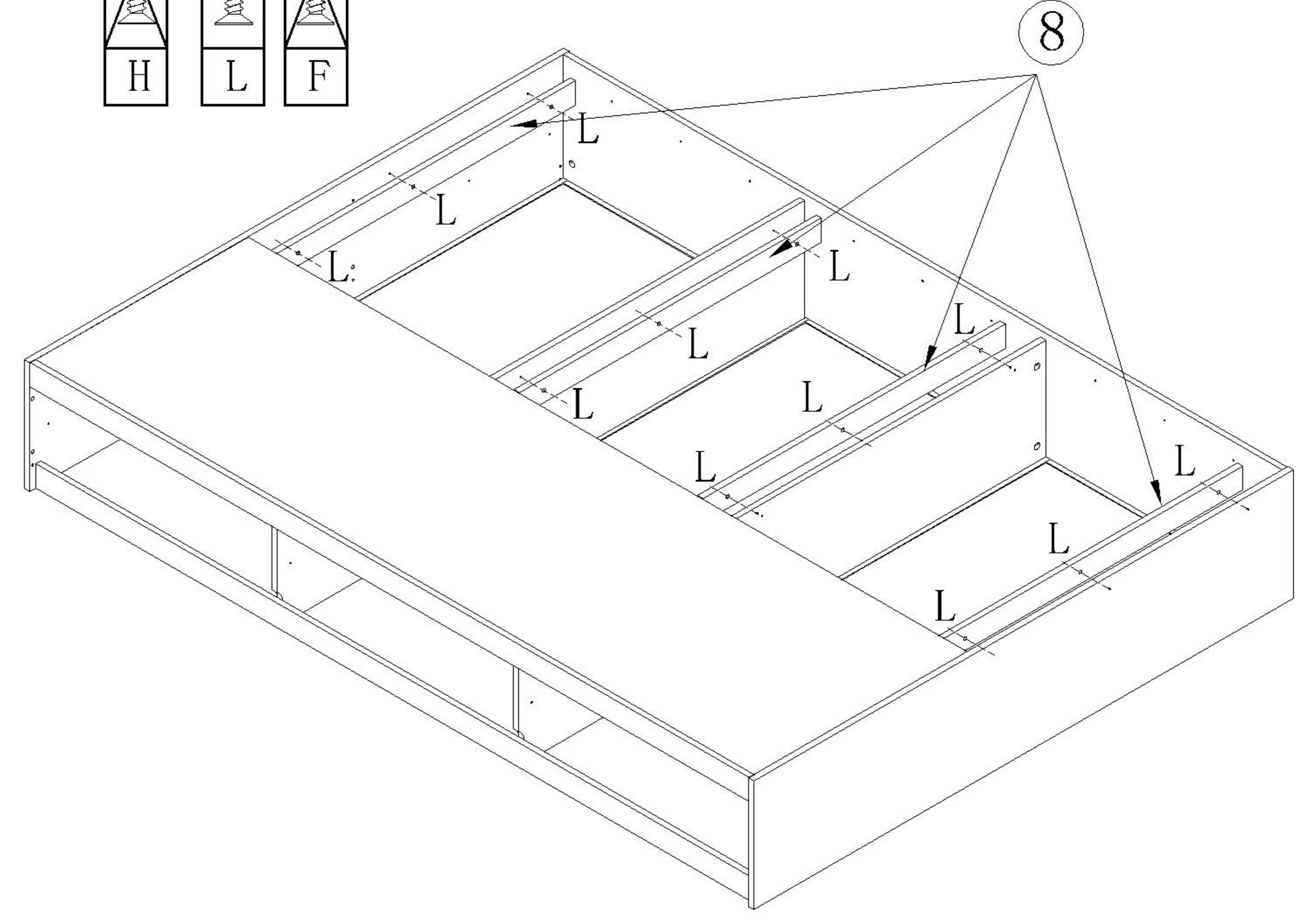
22

23

(L)\*12



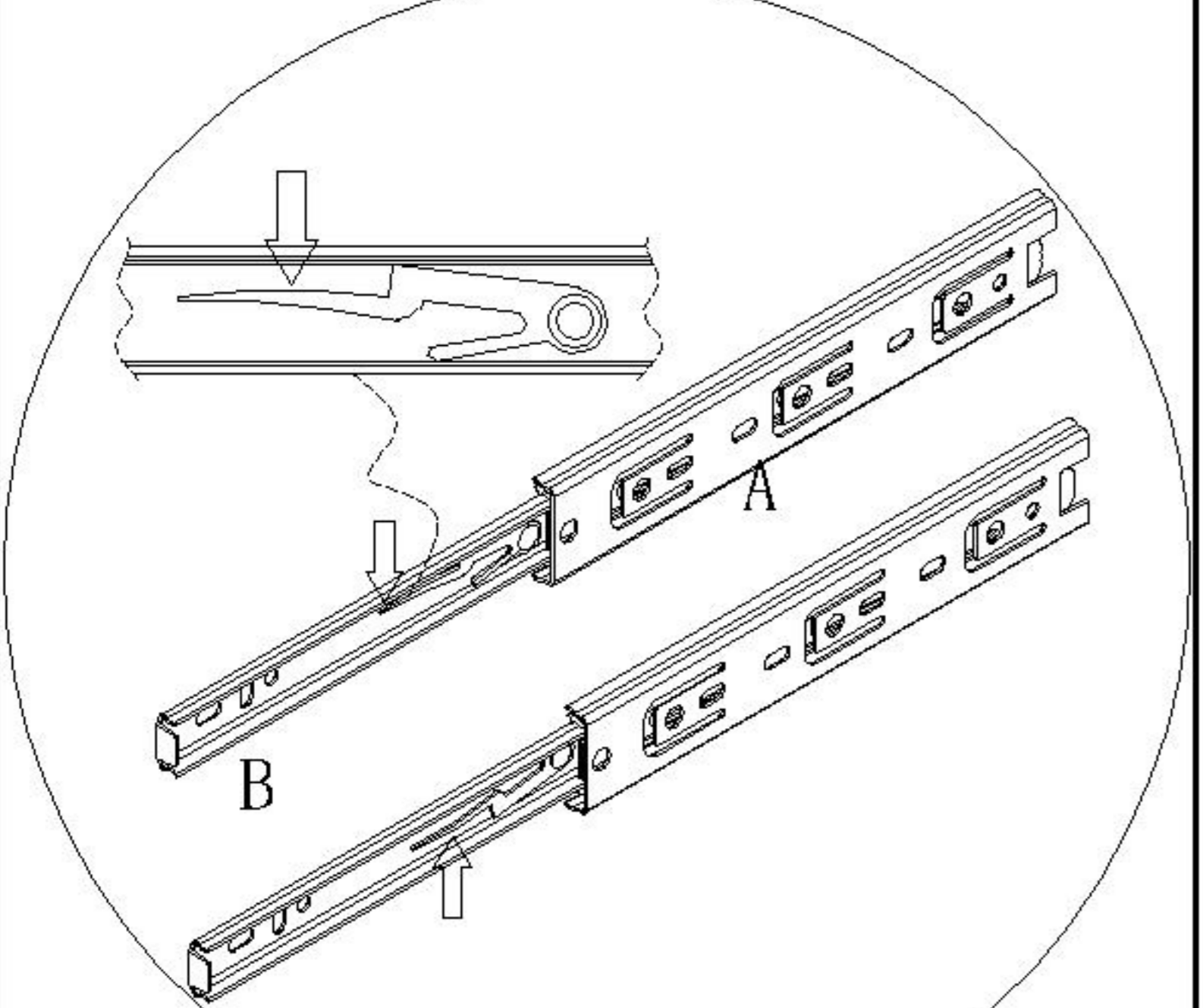
24





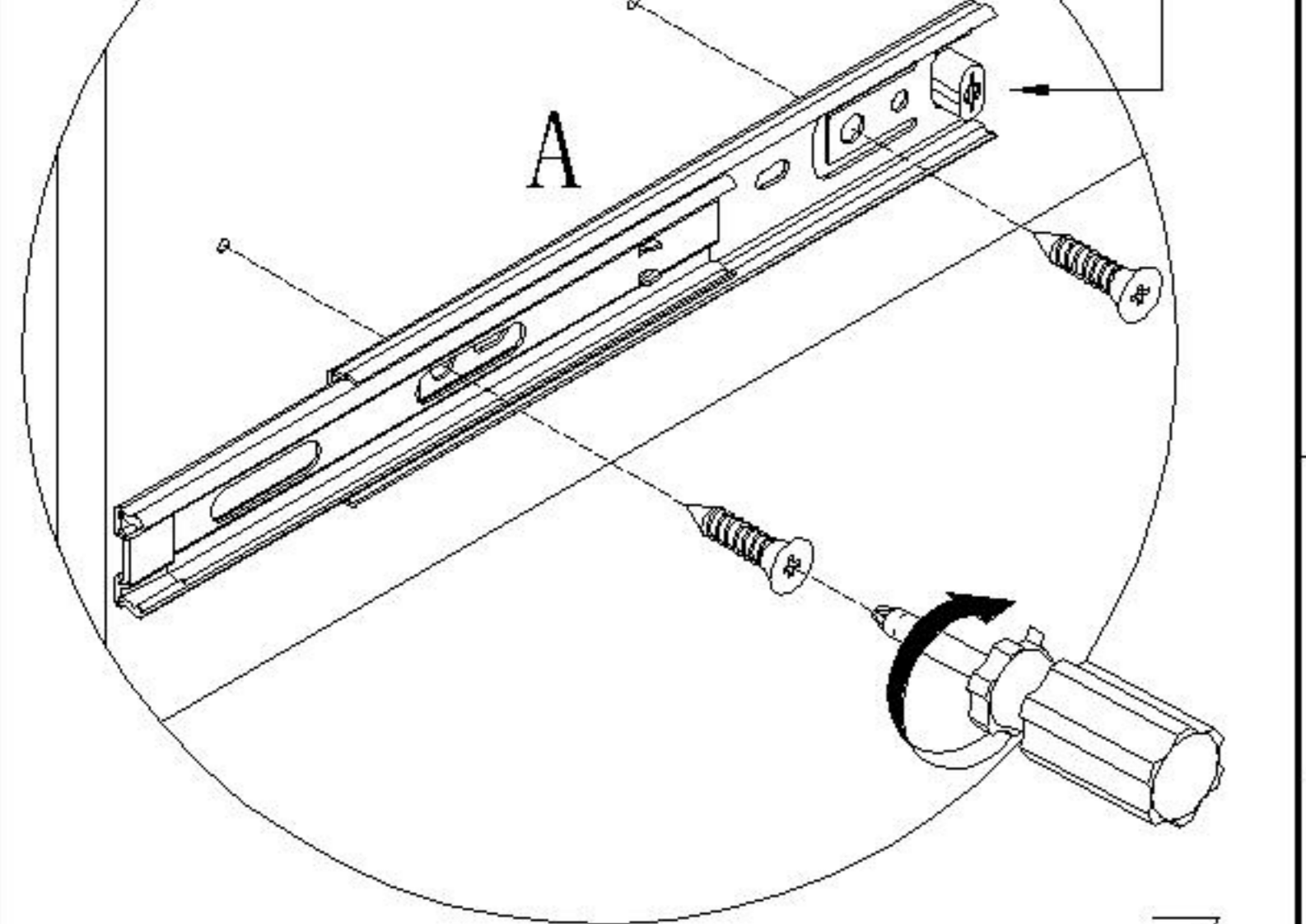
安装方法/  
Installation method

1  
阀门开关(下压为开)  
Valve switch  
(press down to open)

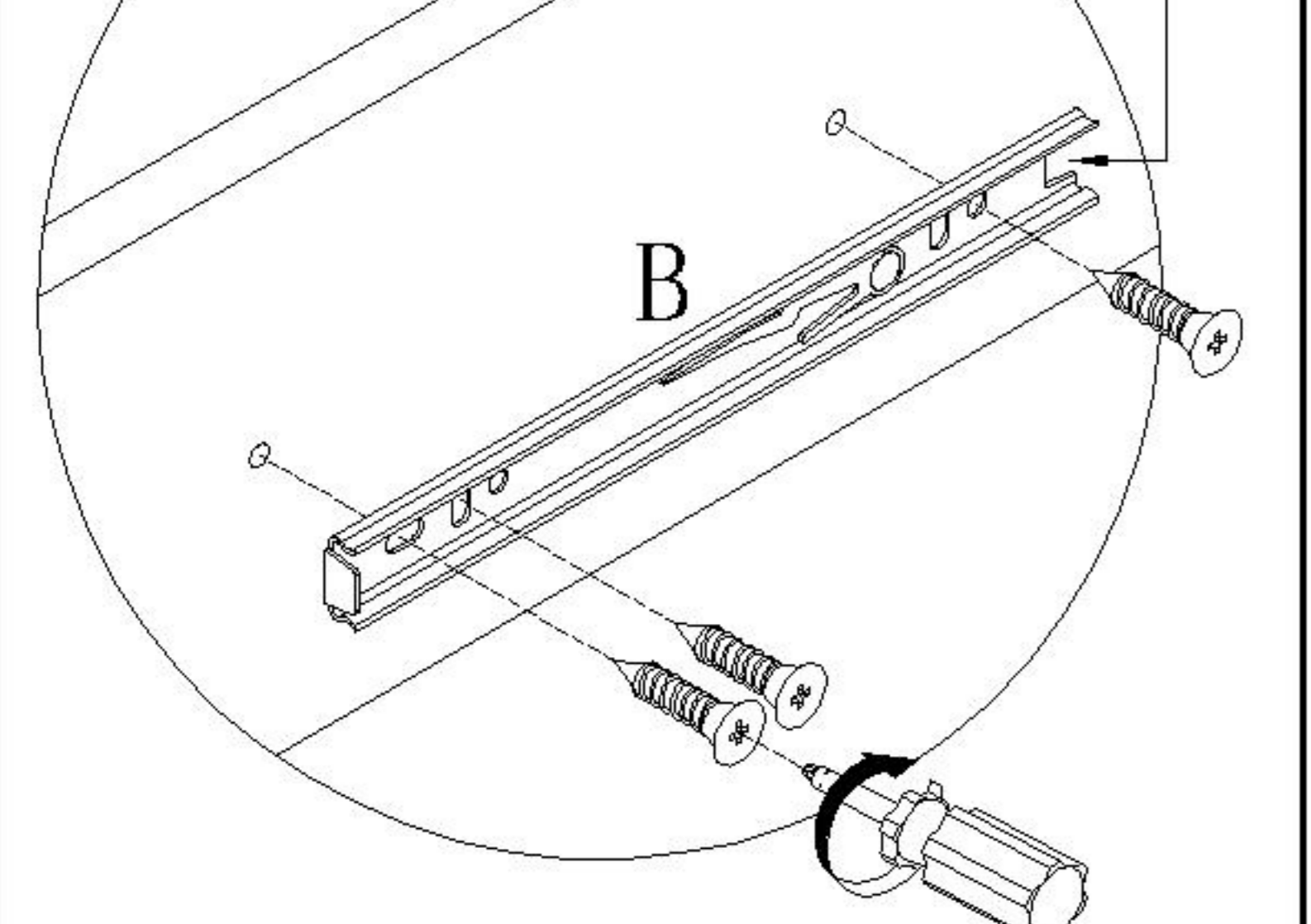


注: 先将A与B拆下来  
Note: remove a and B first

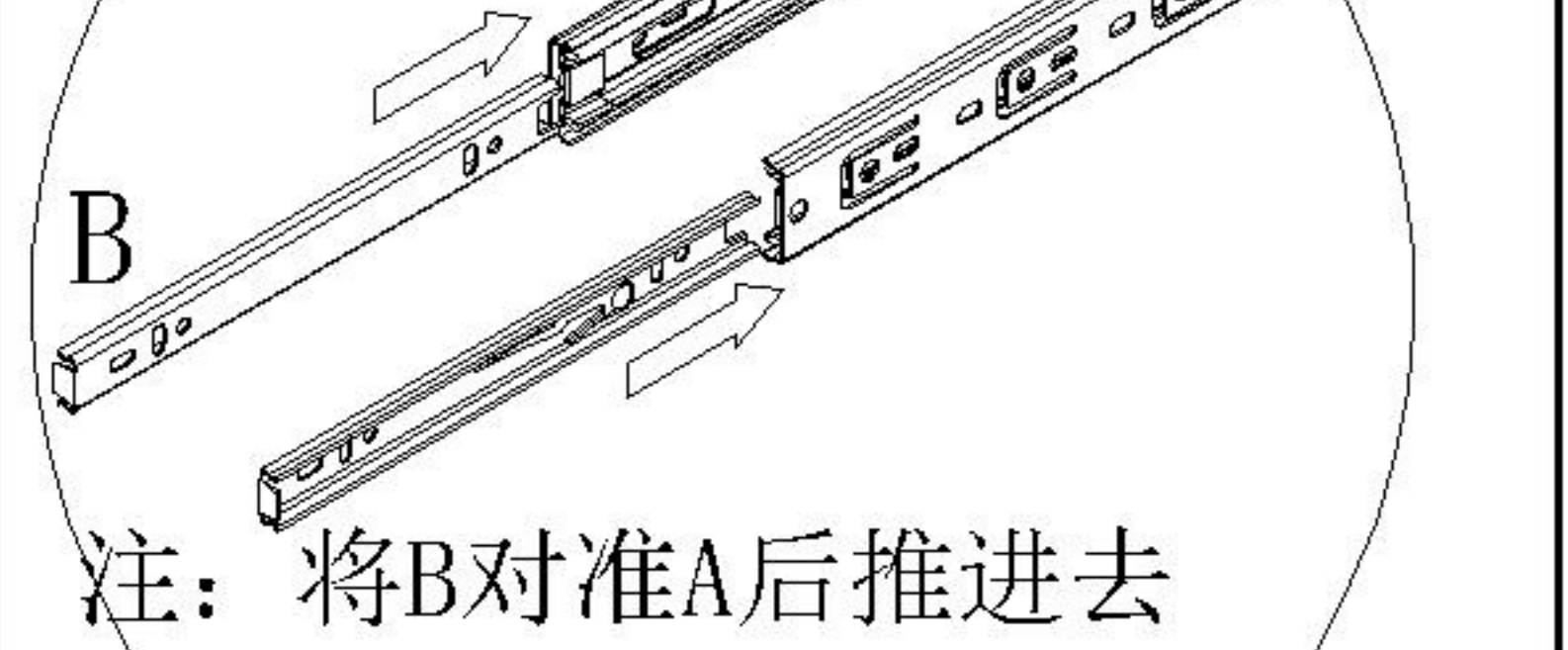
2  
侧板  
side board  
后after



3  
抽屉侧板  
sideboard  
of the drawer  
后after

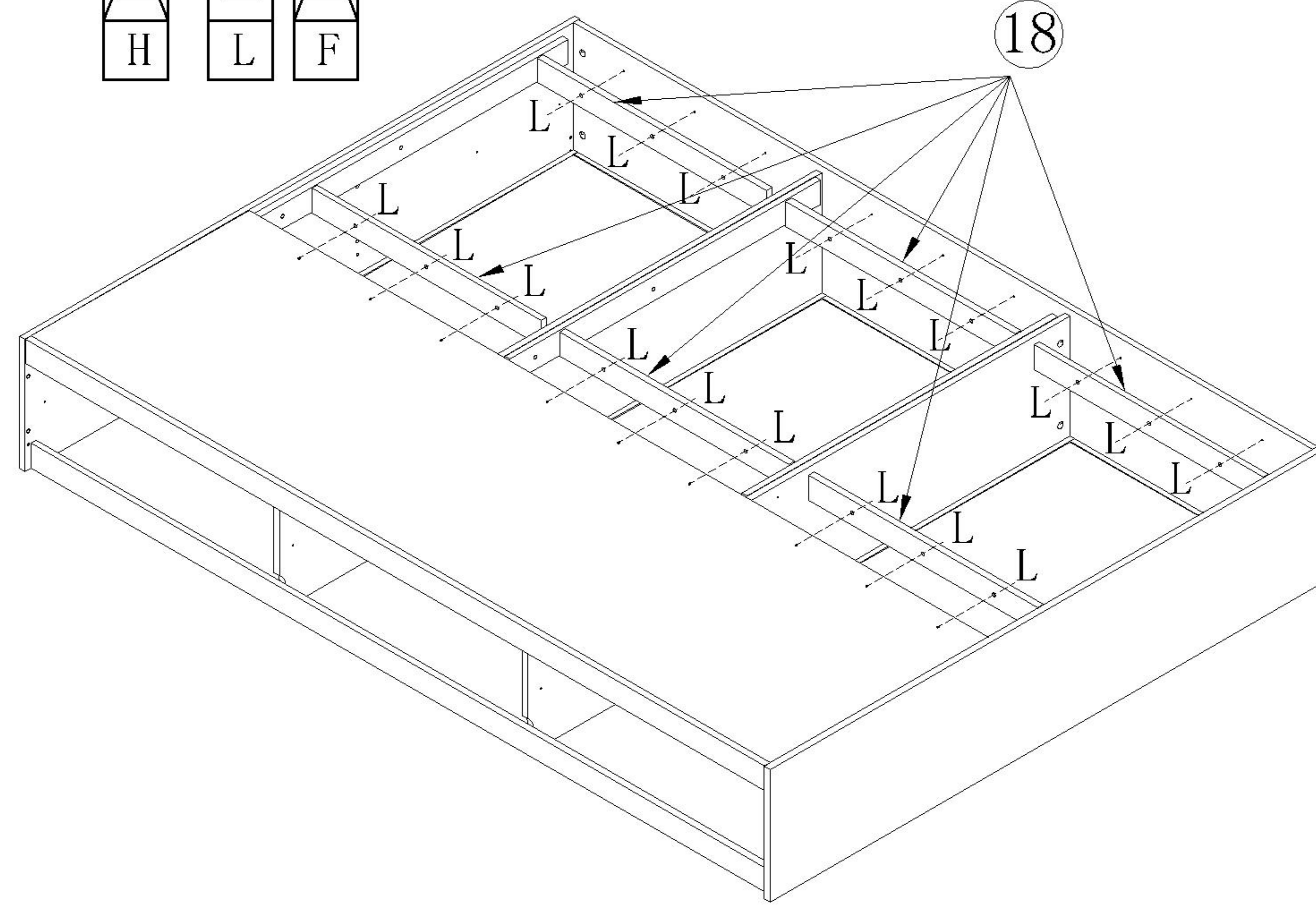
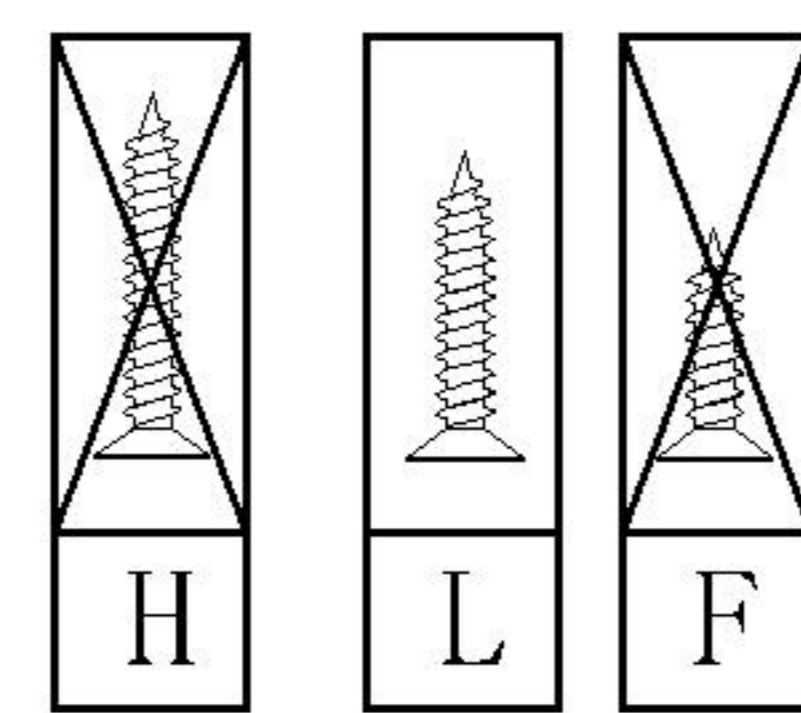


4  
5  
注: 将B对准A后推进去  
Note: align B with a and push it in



三节滚珠导轨  
three-section ball rail

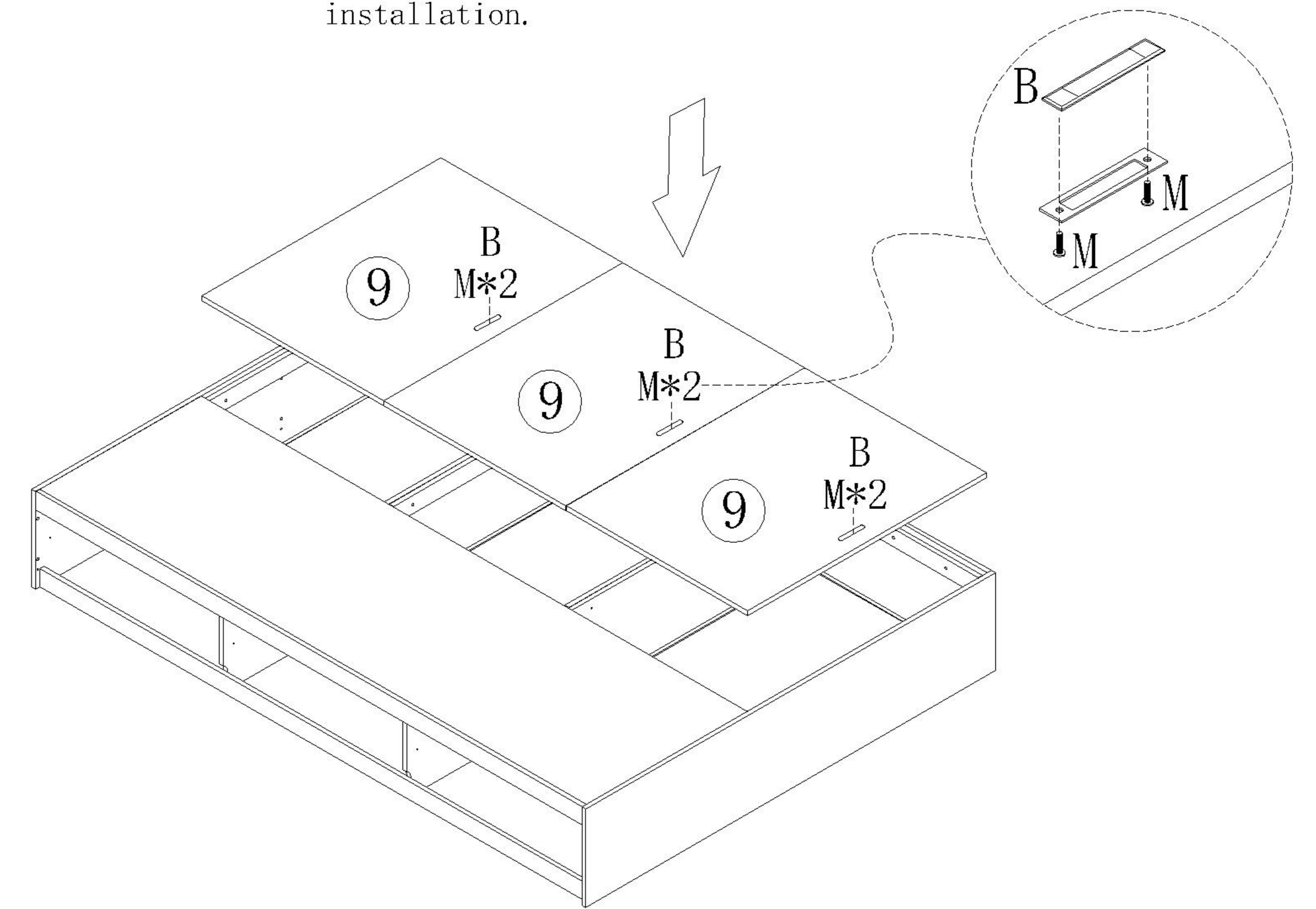
(L)\*18



25

(B)\*3 (M)\*6

注意! 安装五金B时请勿使用五金B内拉手螺丝安装, 需使用五金M进行安装。  
Attention! When installing hardware B, do not use the internal handle screws of hardware B for installation. Instead, use hardware M for installation.



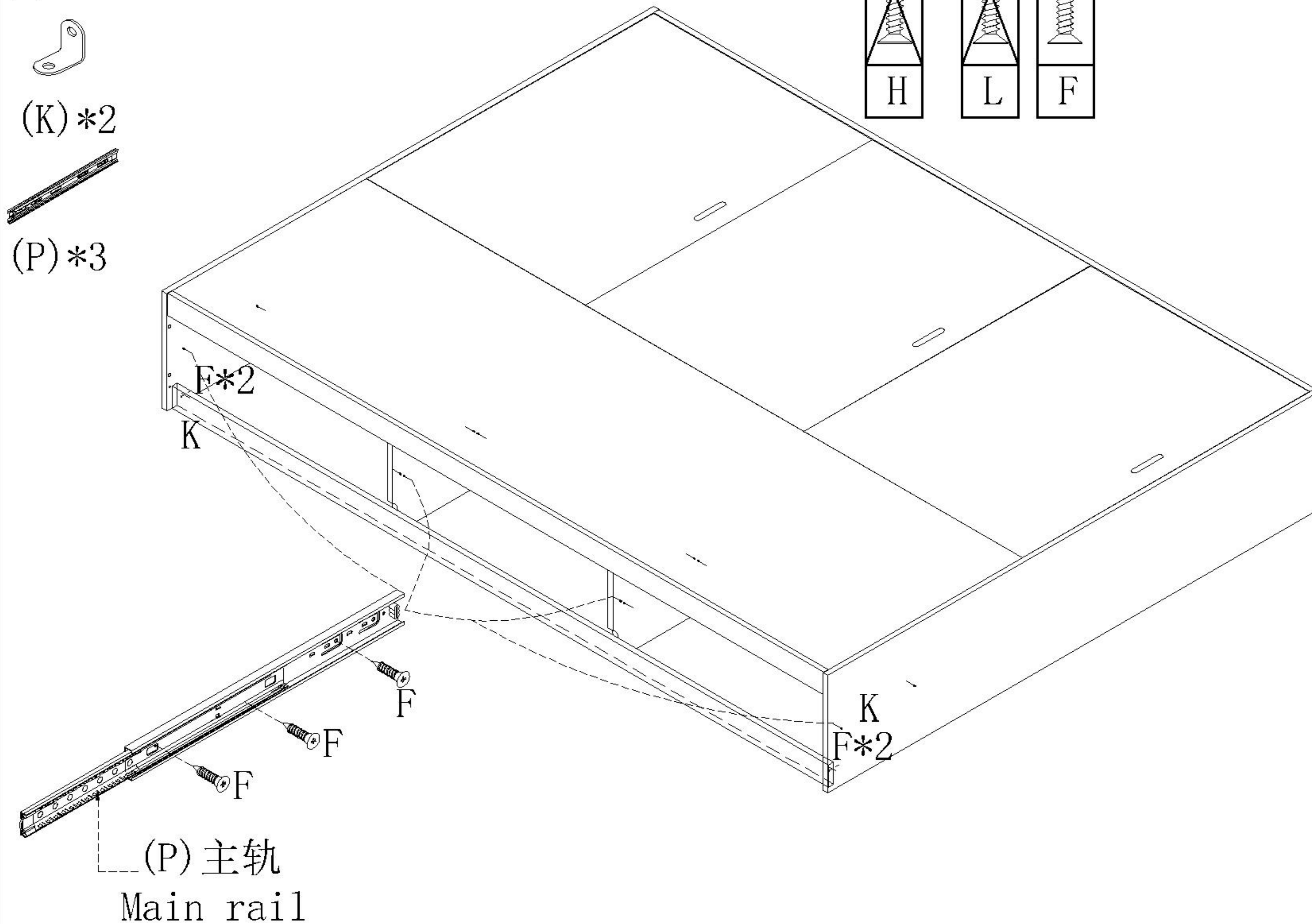
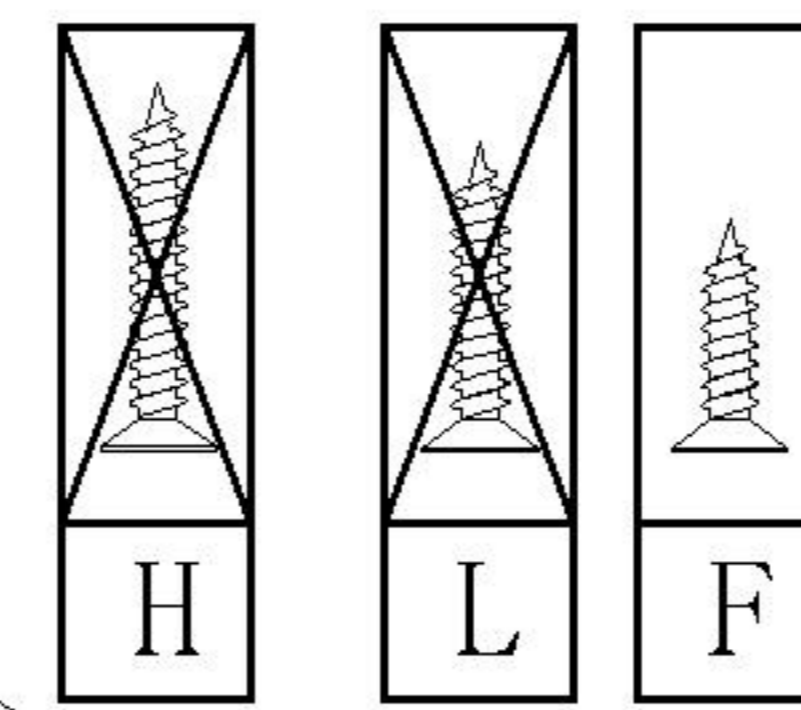
26

27

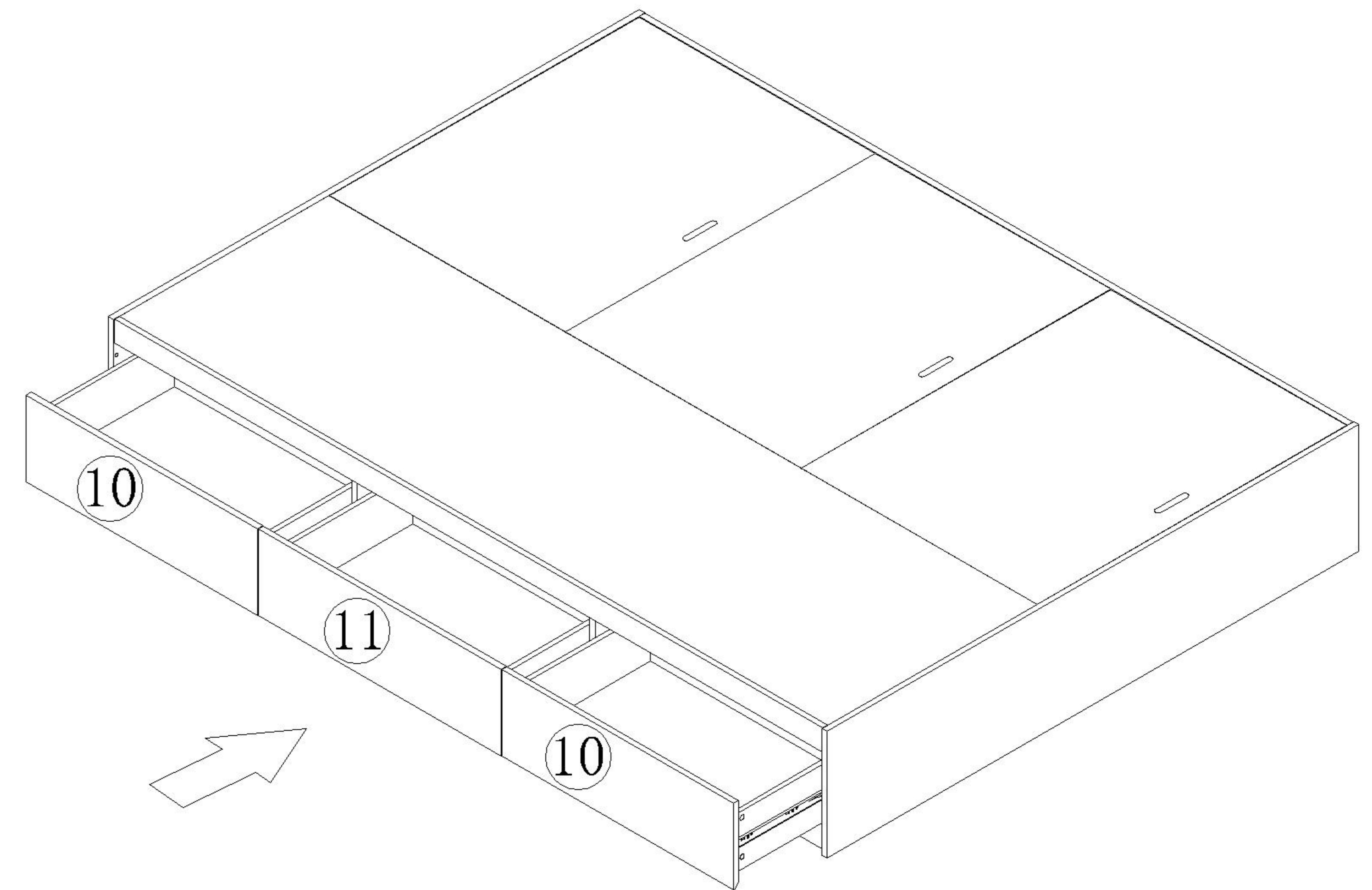
(F)\*22

(K)\*2

(P)\*3



28



OV8A-C 矮床头款1.2米 安装完成  
OV8A-C low headboard 1.2m installation completed