

# LINSY 林氏家居

## 五金表/Hardware list

## 部件表/Parts List

### 安装示意图/Assembly Instruction

产品名称 Model NO.

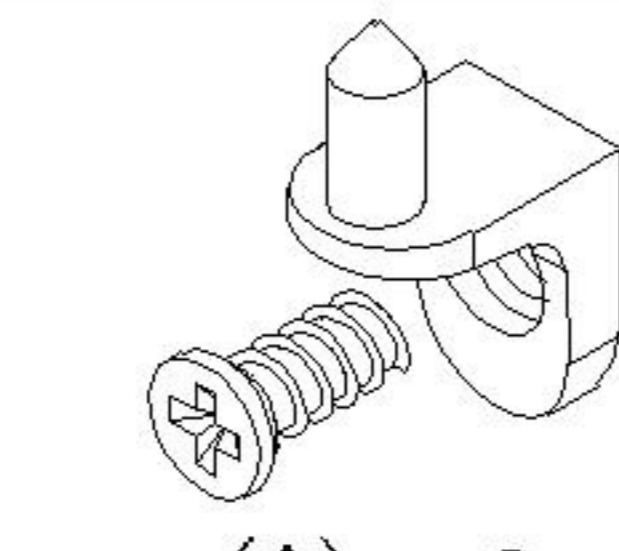
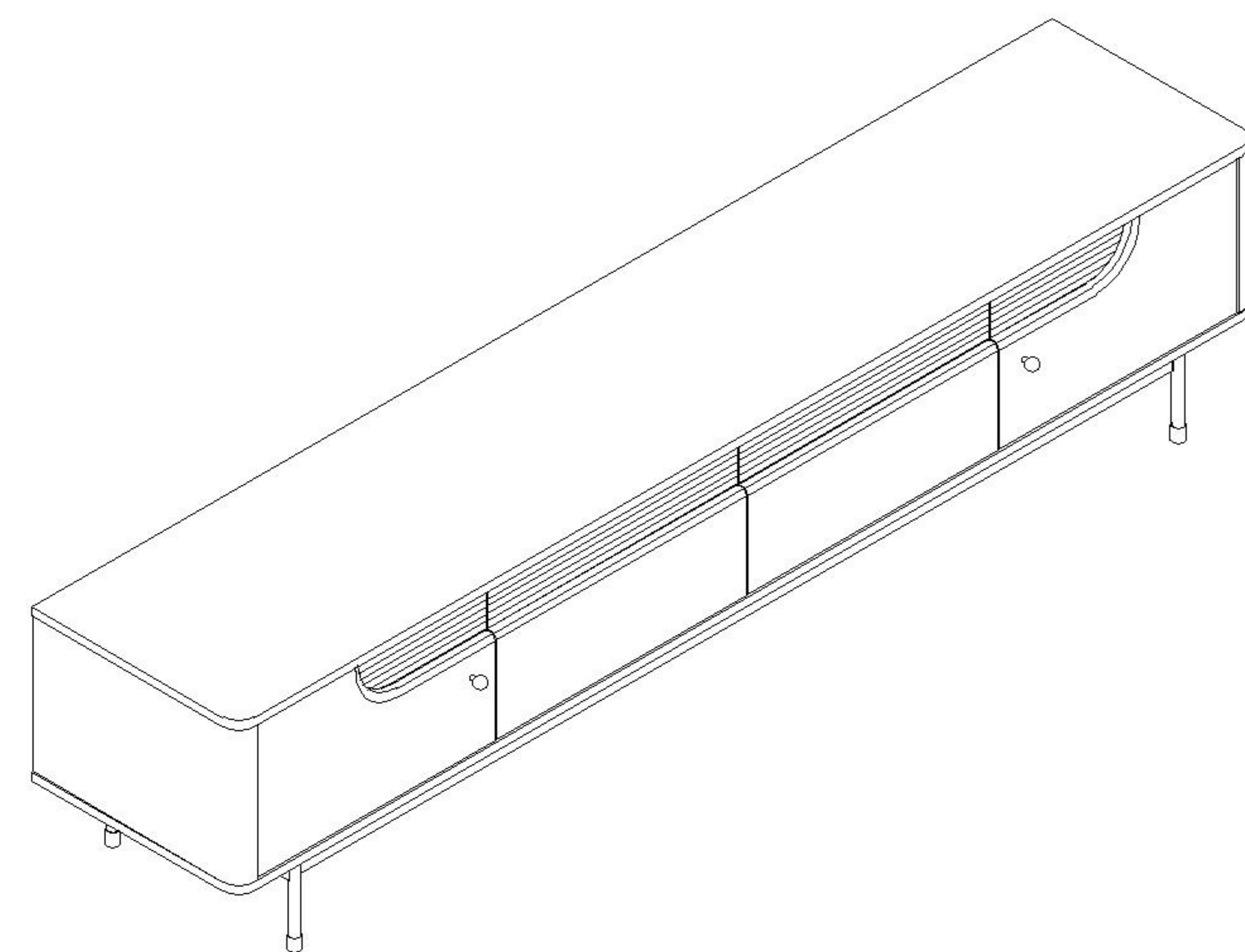
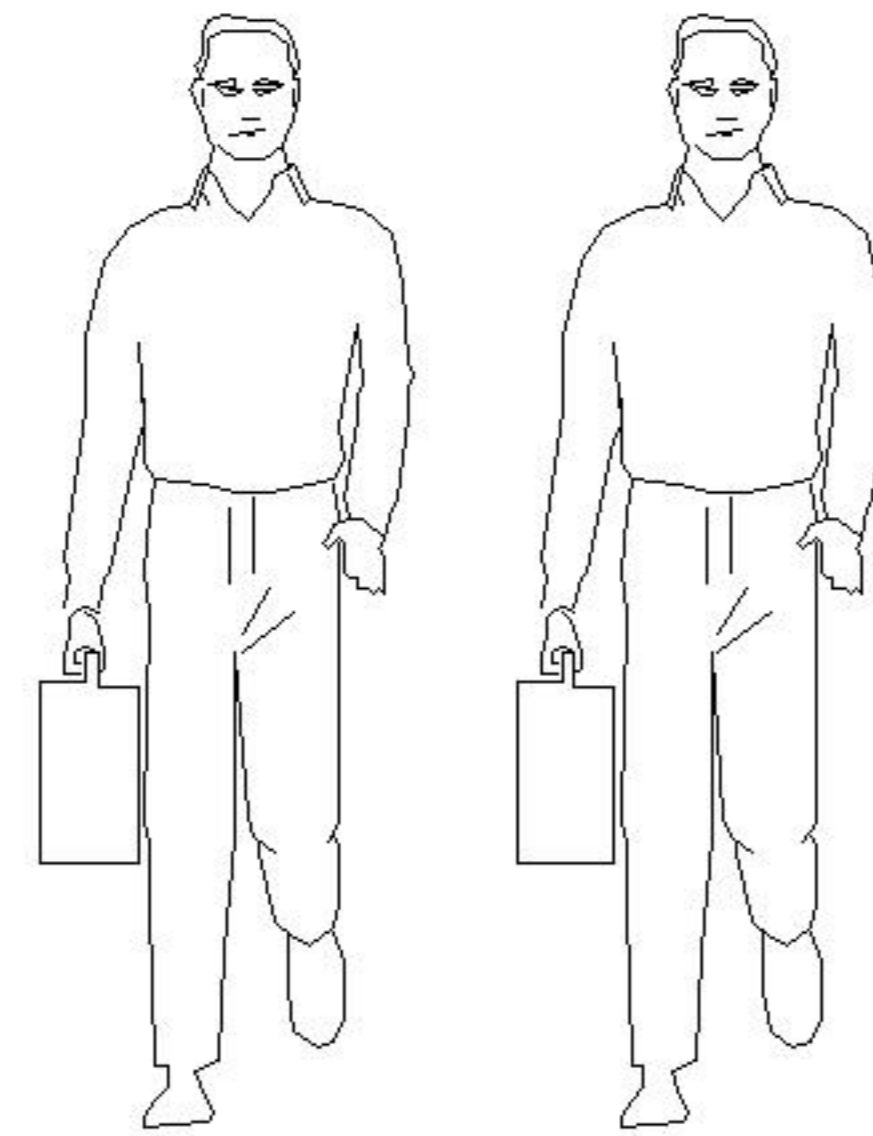
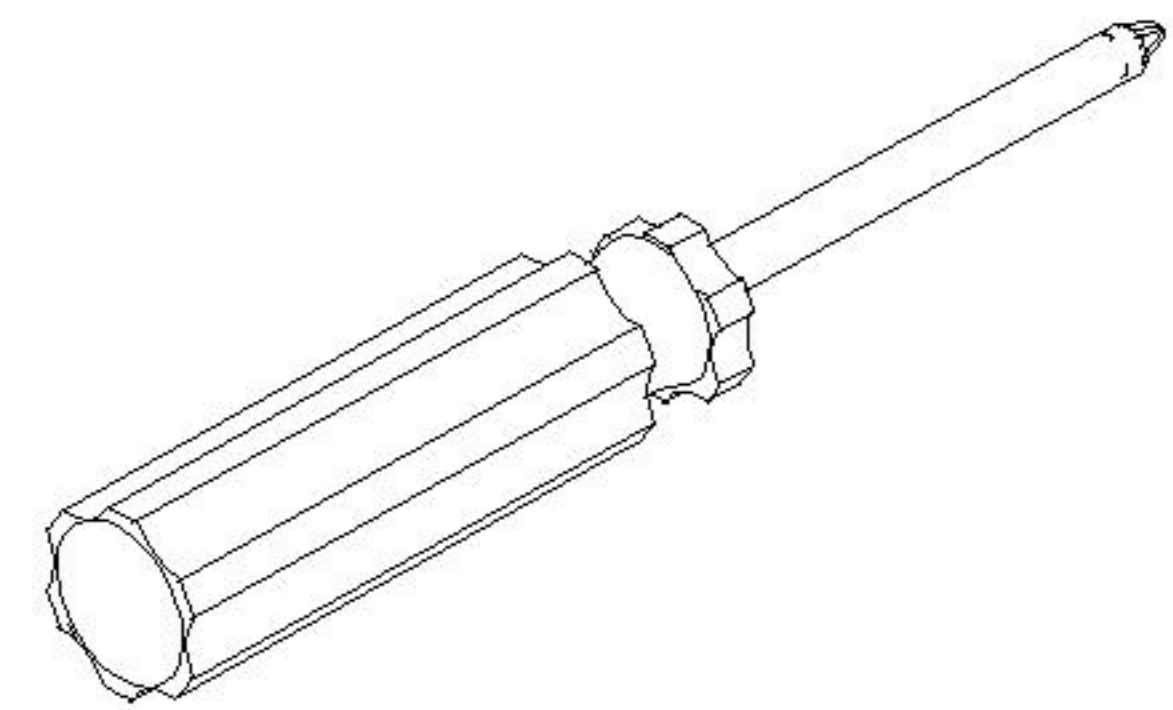
TU1M-A

产品规格 Specification

1964\*424.5\*453mm

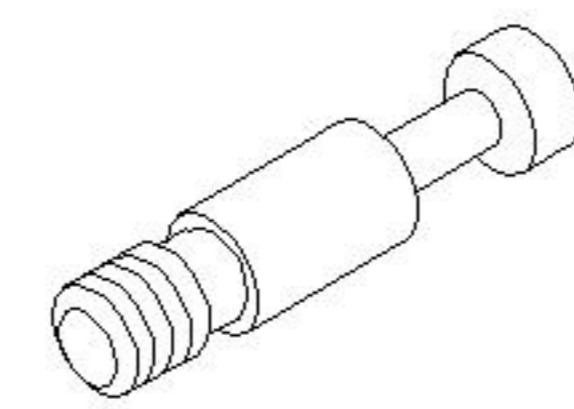
安装工具 Tool

安装人数 Installer



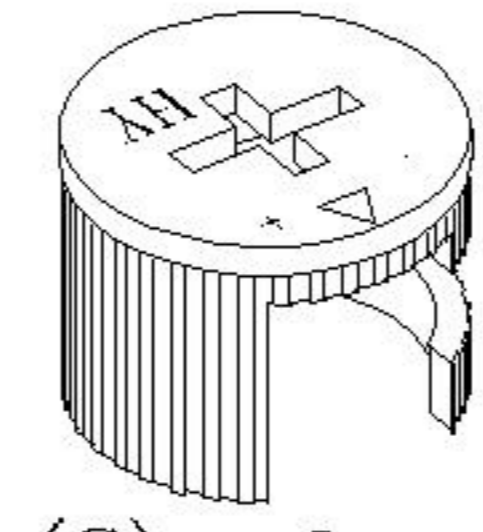
(A)\* 8

层板托  
shelf support



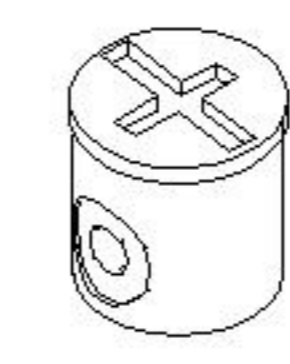
(B)\* 8

小二合一杆  
small two-in-one rod



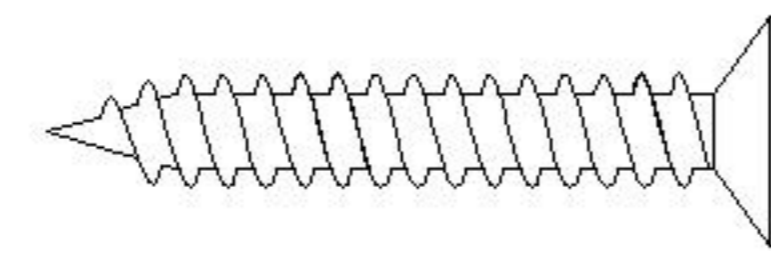
(C)\* 8

小三合一锁饼  
small three-in-one lock



(D)\* 8

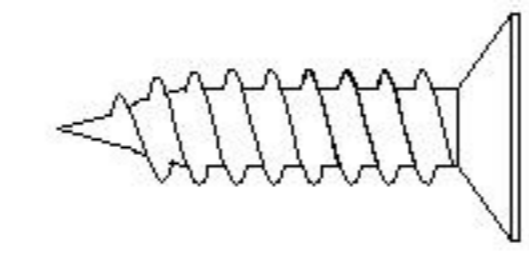
塑料螺母  
Plastic Nut



(E)\* 8

自攻螺丝M4x40mm

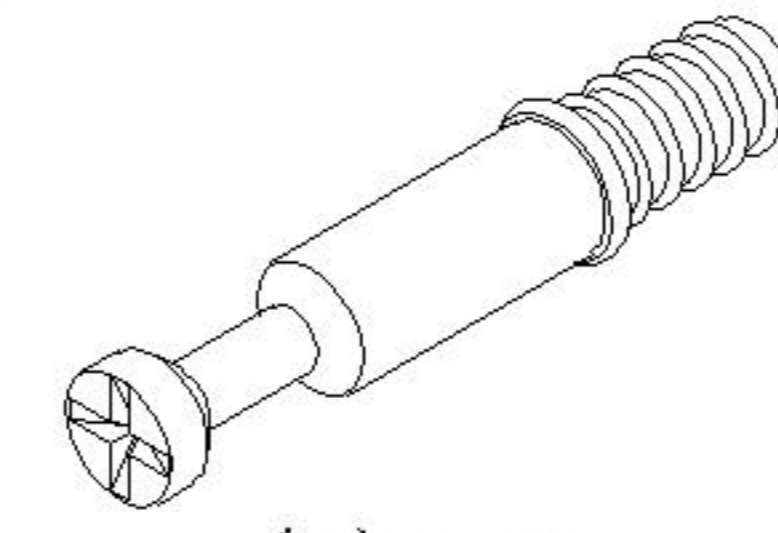
Self-tapping screw



(F)\* 29

自攻螺丝M3.5x12mm

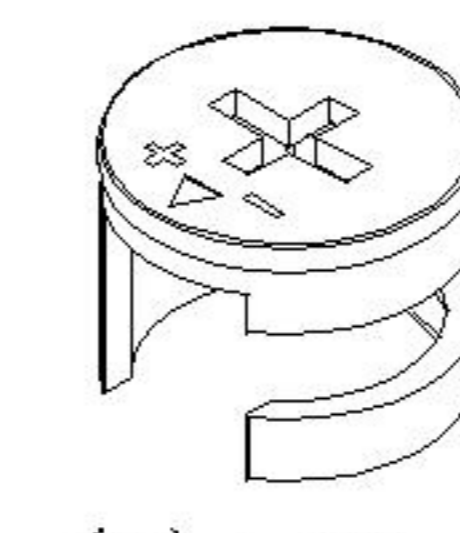
Self-tapping screw



(G)\* 21

二合一螺杆

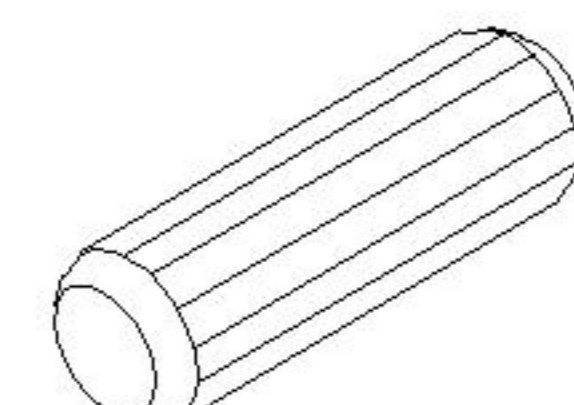
2-in-1-screw



(H)\* 21

大三合一锁饼

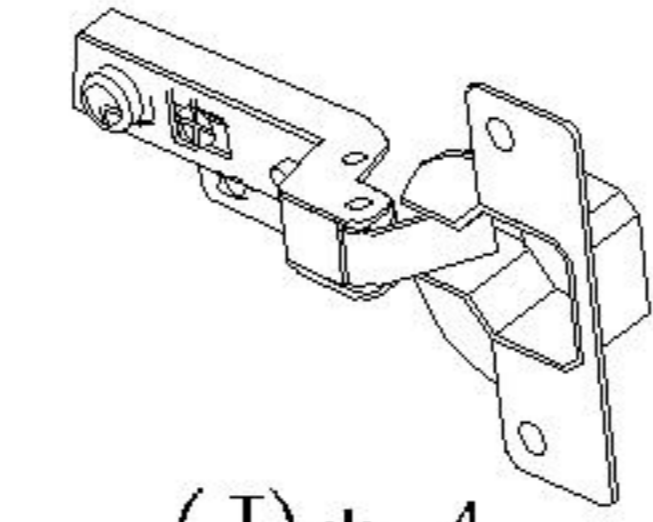
Three-in-one large lock



(I)\* 21

木榫Ø8x30mm

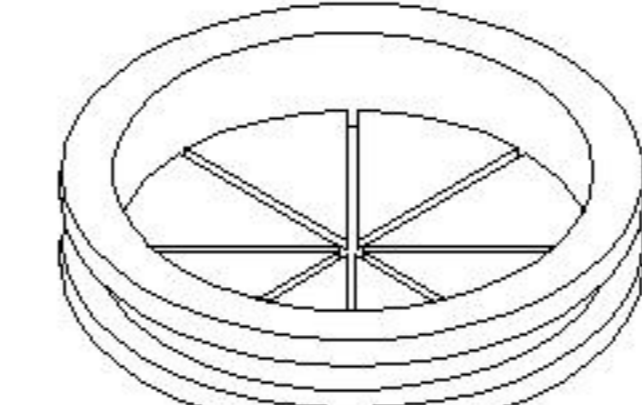
wood tenon



(J)\* 4

缓冲门较大弯-杯径Ø35

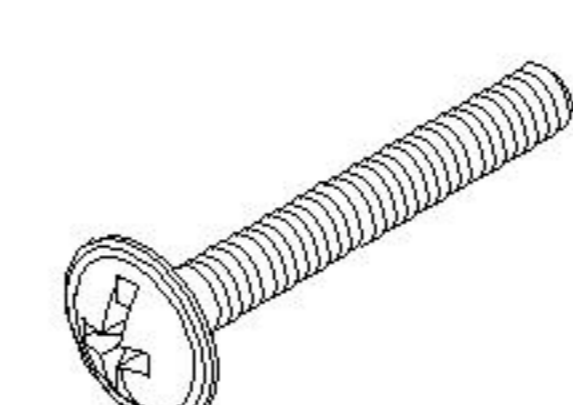
Hinge-big bends-diameter 35



(K)\* 2

穿线孔盖

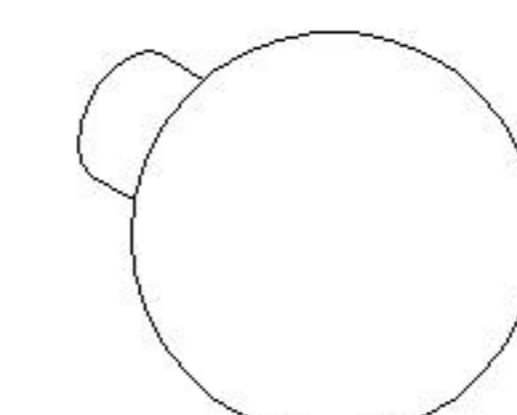
Threading cover



(L)\* 2

拉手螺丝-M4x22mm

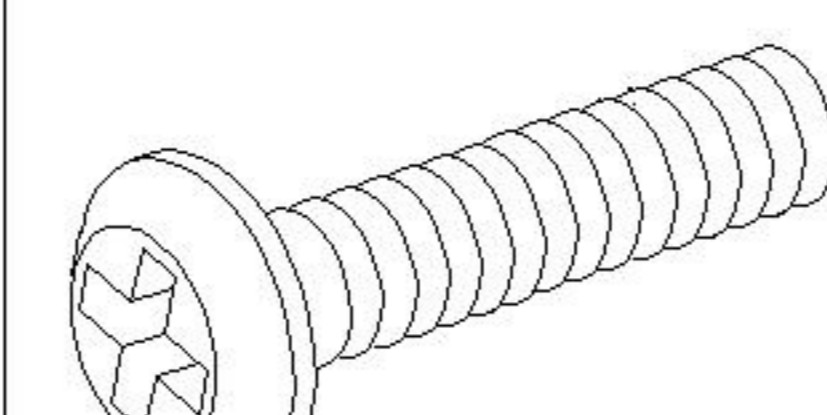
pulling screw



(M)\* 2

拉手

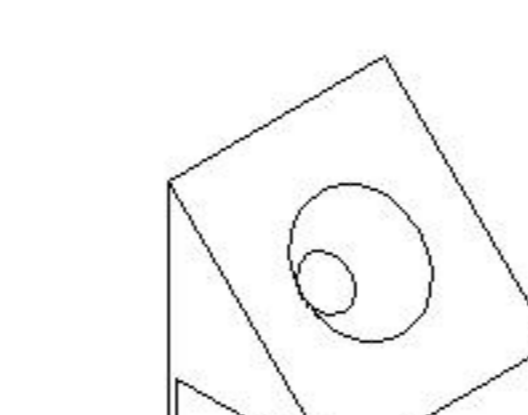
Handle



(N)\* 1

斜边十字螺杆M8x35

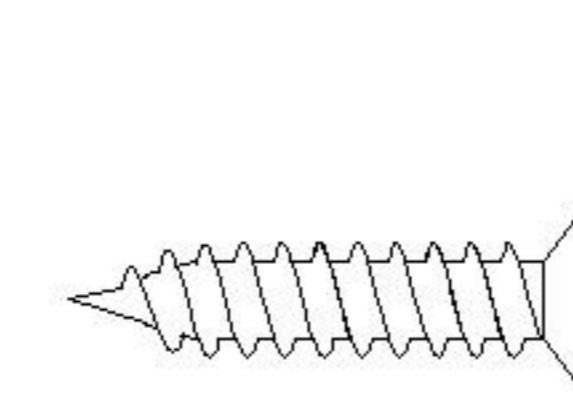
bevel cross screw



(O)\* 8

背板扣

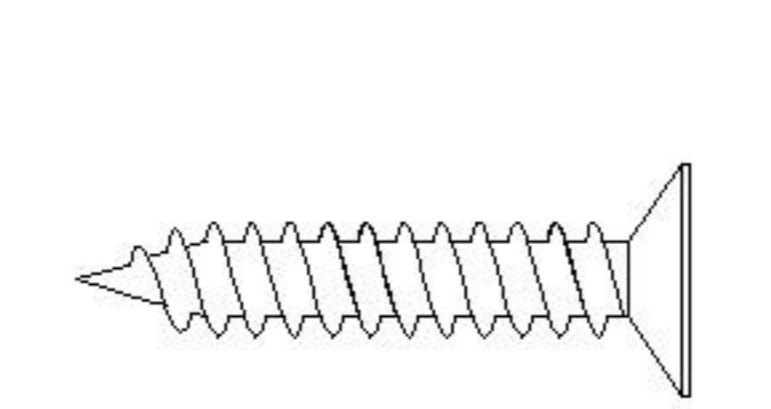
Back Plate Buckle-White



(P)\* 13

自攻螺丝M3.5x16mm

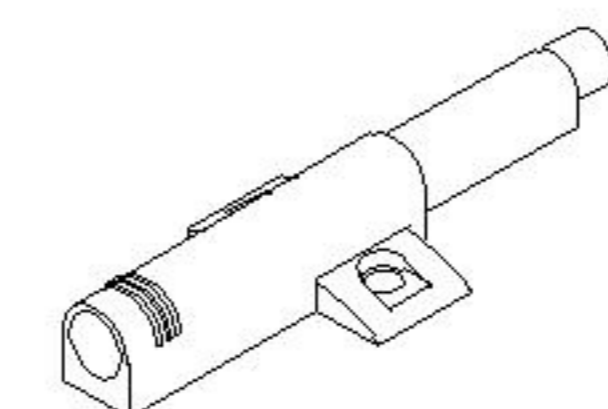
Self-tapping screw



(Q)\* 13

自攻螺丝M4x20mm

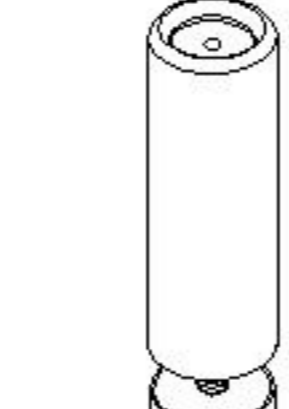
Self-tapping screw



(R)\* 2

反弹器

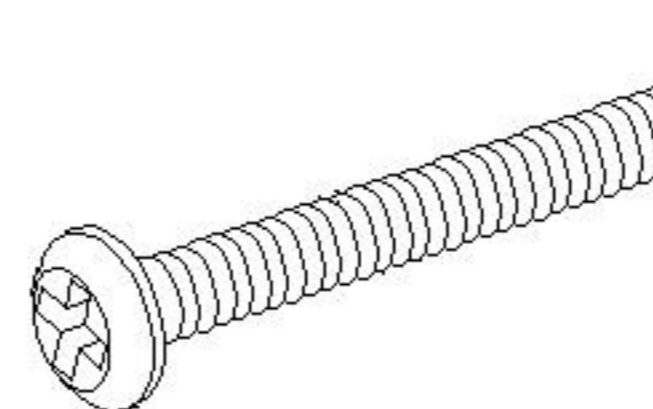
Rebound device



(S)\* 1

中脚

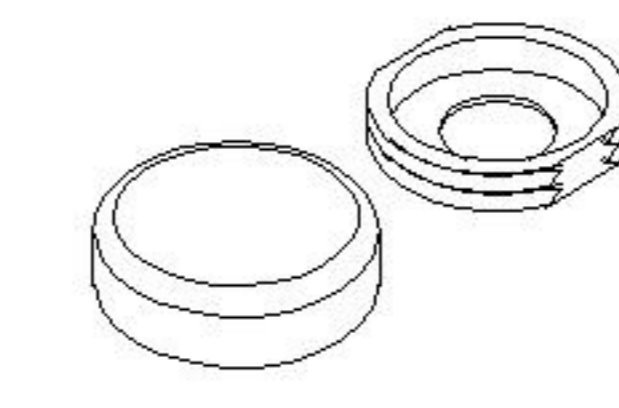
Middle foot



(T)\* 8

斜边十字螺杆-M6x50

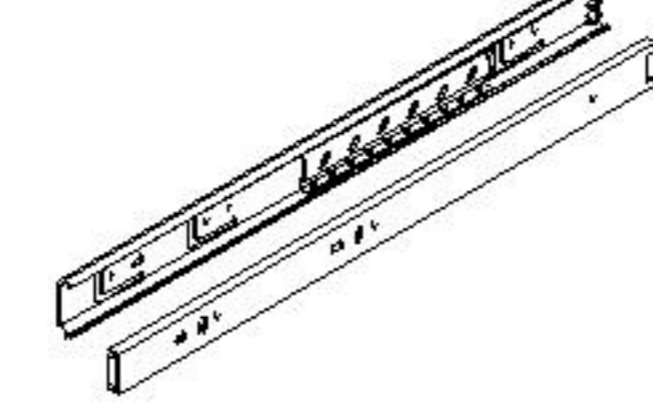
bevel cross screw



(U)\* 12

镜钉

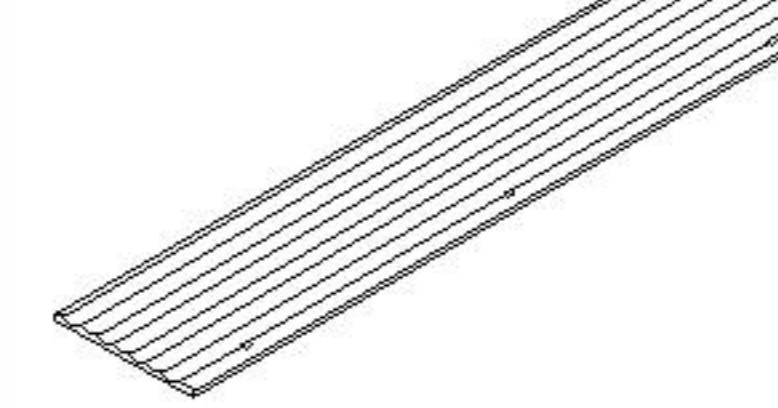
Mirror nail



(V)\* 2

三节滚珠导轨-10"

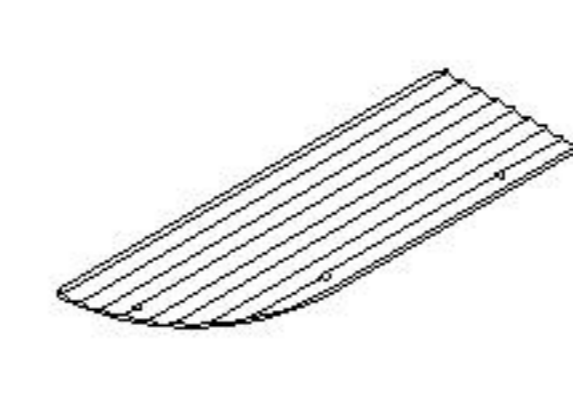
three-section ball rail



(W)\* 2

门板玻璃

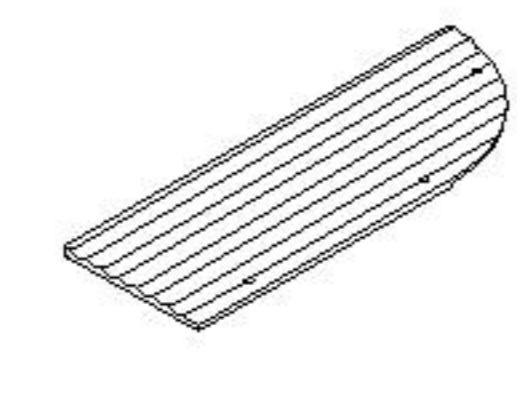
Door panel glass



(X)\* 1

左门板玻璃

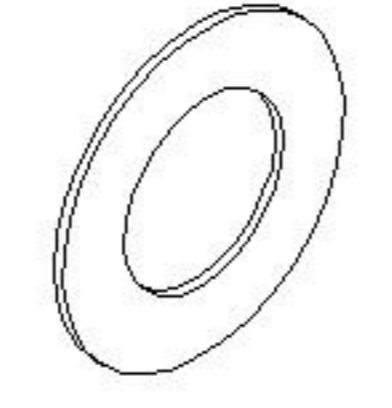
Left door panel glass



(Y)\* 1

右门板玻璃

Right door panel glass



(Z)\* 13

透明塑料垫片

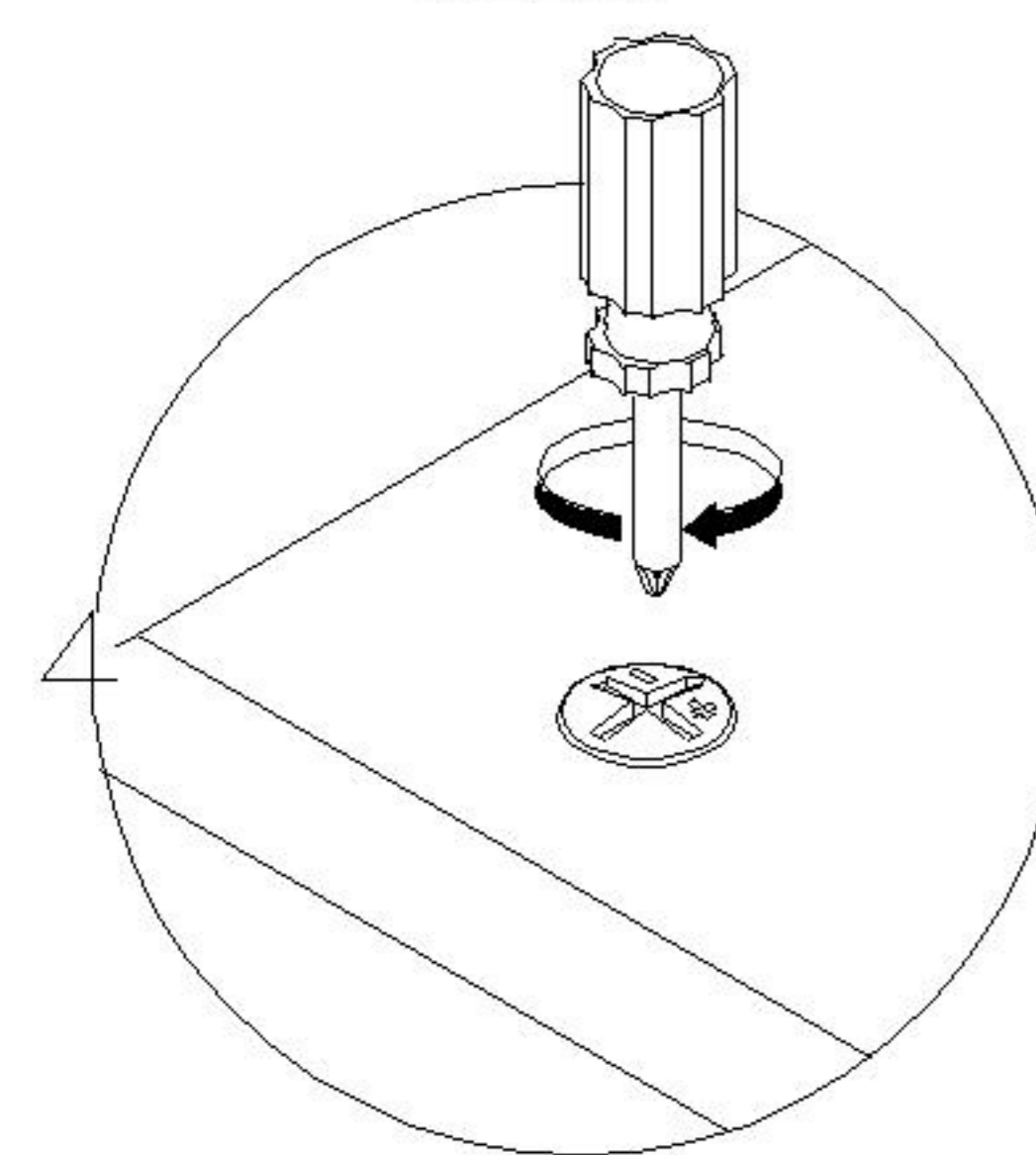
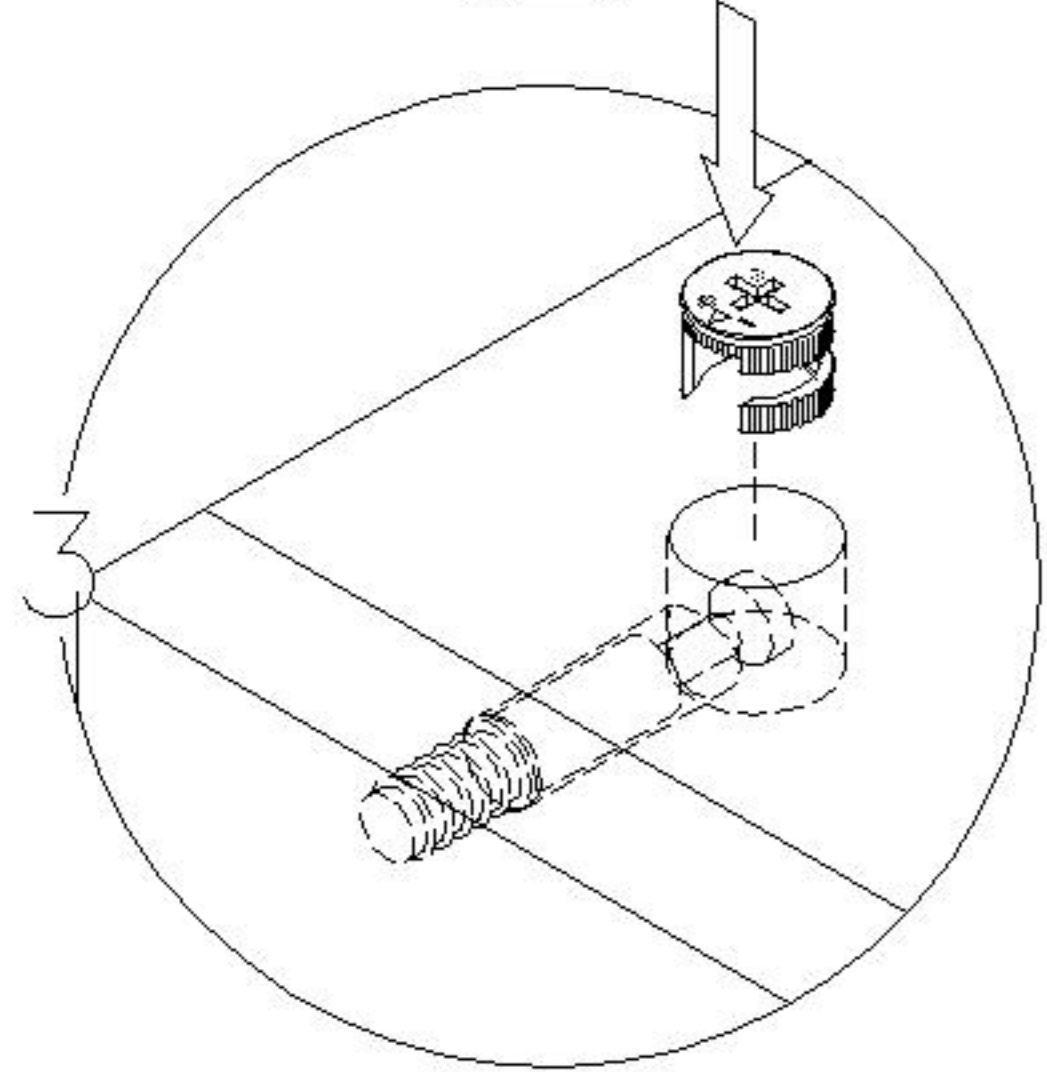
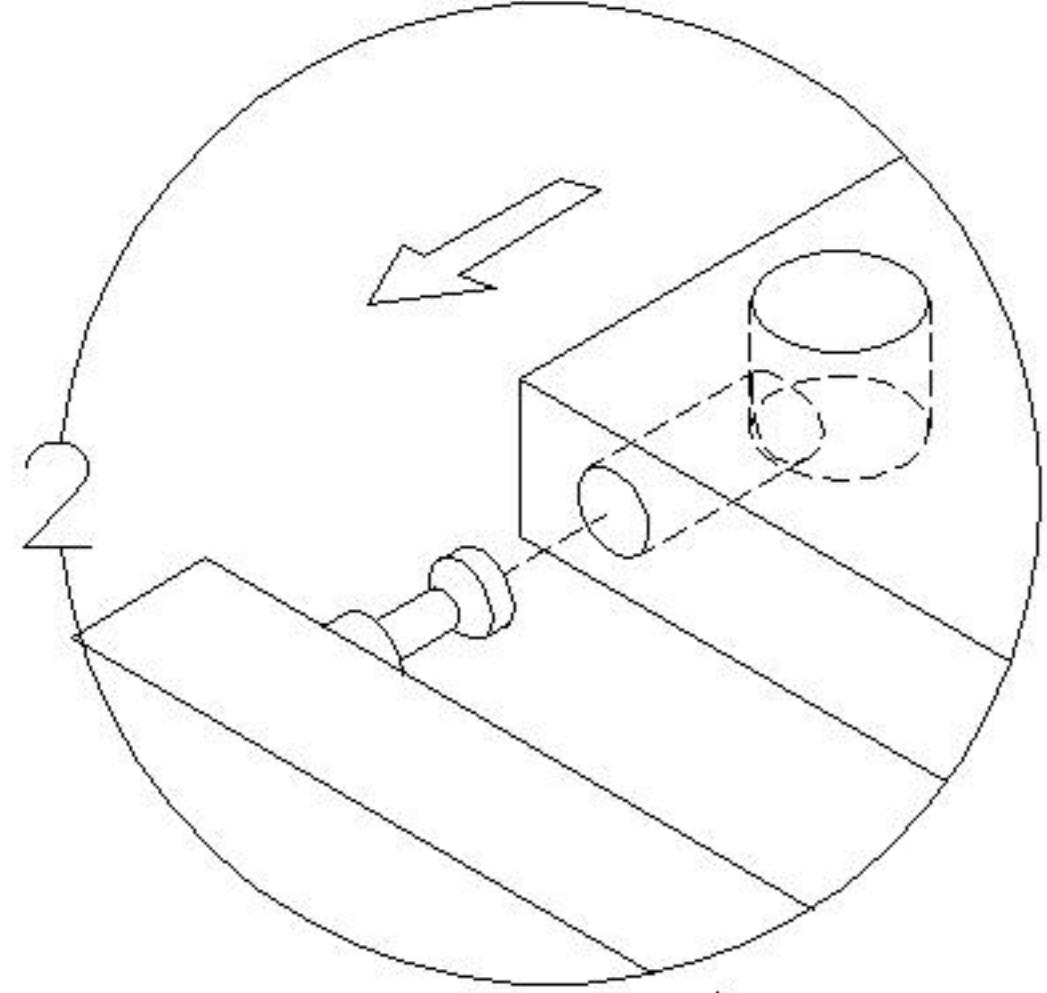
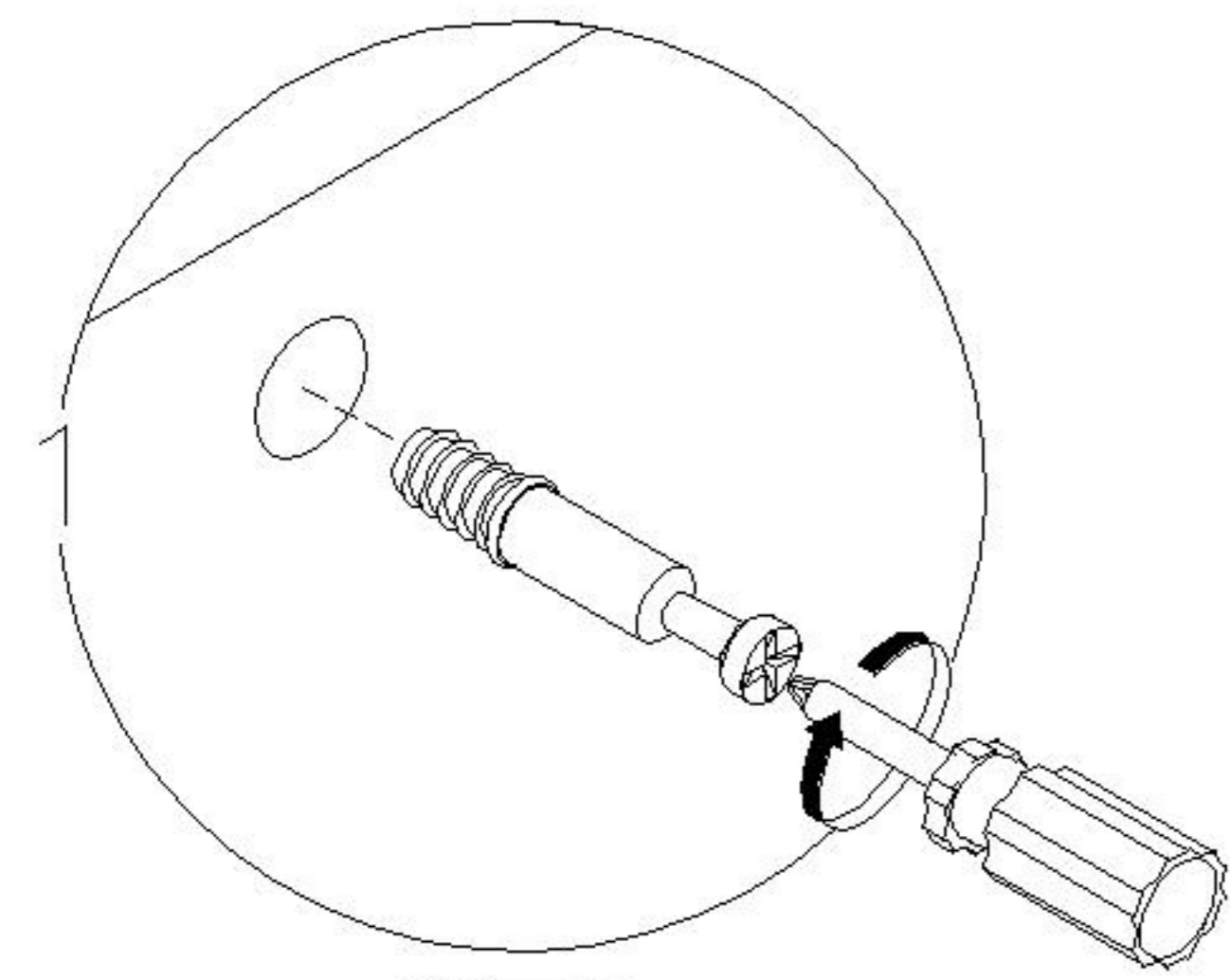
Transparent plastic pad

编号NO.	名称Name	规格 (mm) Specification	数量QTY	材质Material
1	面板Top panel	1964*398*15	1	人造板 WBP
2	底板Bottom board	1964*398*15	1	人造板 WBP
3	右中侧板Middle side board(R)	353*260*15	1	人造板 WBP
4	左中侧板Middle side board(L)	353*260*15	1	人造板 WBP
5	中中侧板Middle side board	349*260*15	1	人造板 WBP
6	活动层板Movable shelf	477*347*15	2	人造板 WBP
7	抽屉左侧板Drawer's side board(L)	295*78*12	2	人造板 WBP
8	抽屉右侧板Drawer's side board(R)	295*78*12	2	人造板 WBP
9	抽屉后板Drawer's Back board	428*78*12	2	人造板 WBP
10	抽屉底板Drawer's Bottom board	438*291*5	2	人造板 WBP
11	背板Back board	1900*270*5	1	人造板 WBP
12	侧板Side board	397*260*36	2	吸塑板Blister board
13	右门板Door board(R)	457*256*18	1	吸塑板Blister board
14	左门板Door board(L)	457*256*18	1	吸塑板Blister board
15	左抽屉面板Drawer's panel(L)	482*176*18	1	吸塑板Blister board
16	右抽屉面板Drawer's panel(R)	482*176*18	1	吸塑板Blister board
17	侧架 Side frame	372*41*163	2	五金 Hardware
18	下拉条 Bottom brace	1681*40*20	1	五金 Hardware

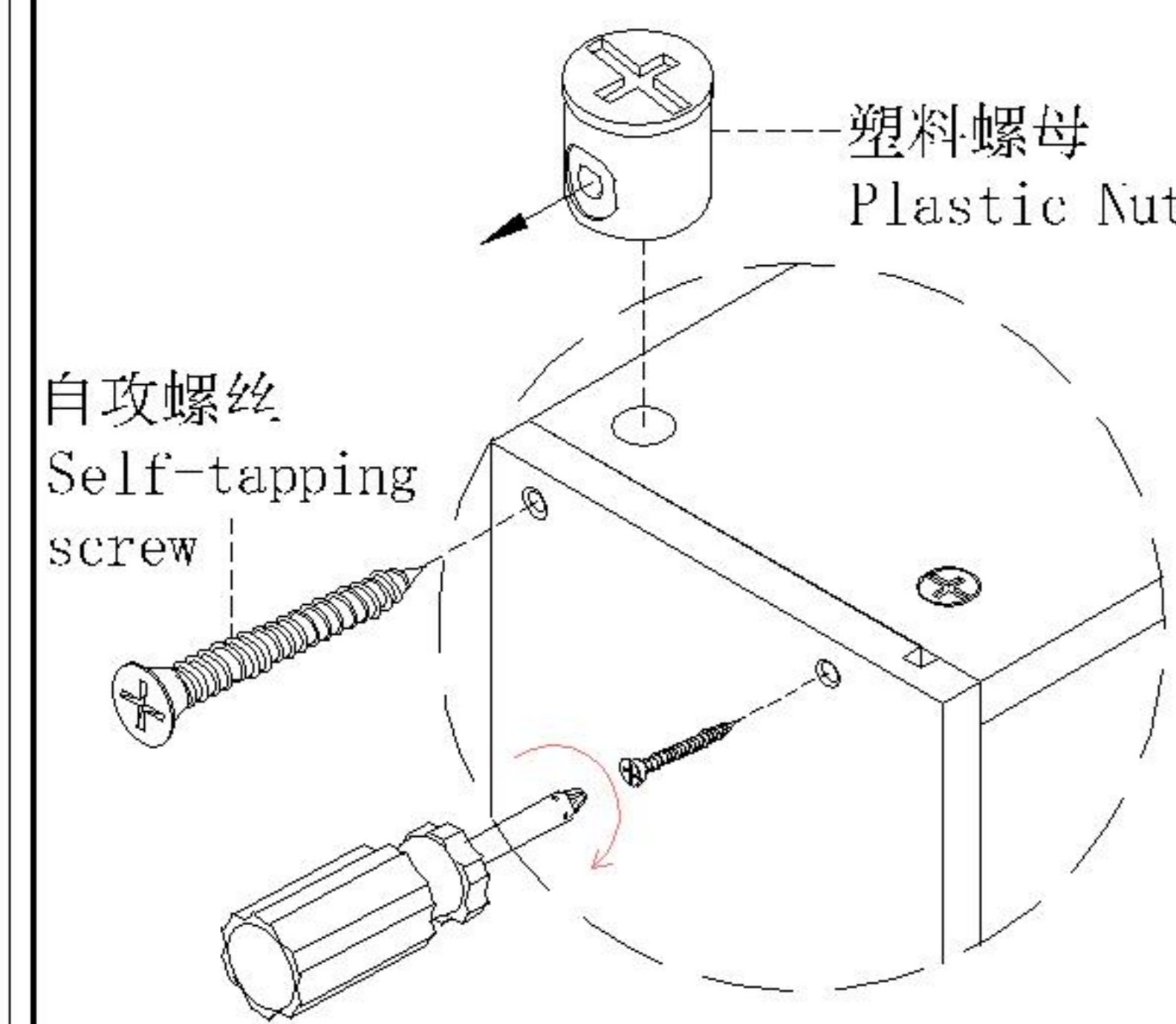
TU1M-A

安装方法/

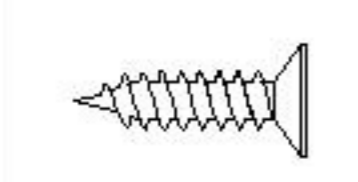
Installation method



小二合一/two-in-one



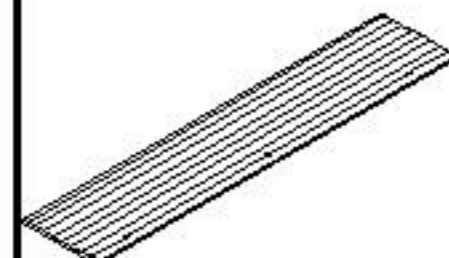
塑料螺母  
Plastic Nut



(Q)\*6



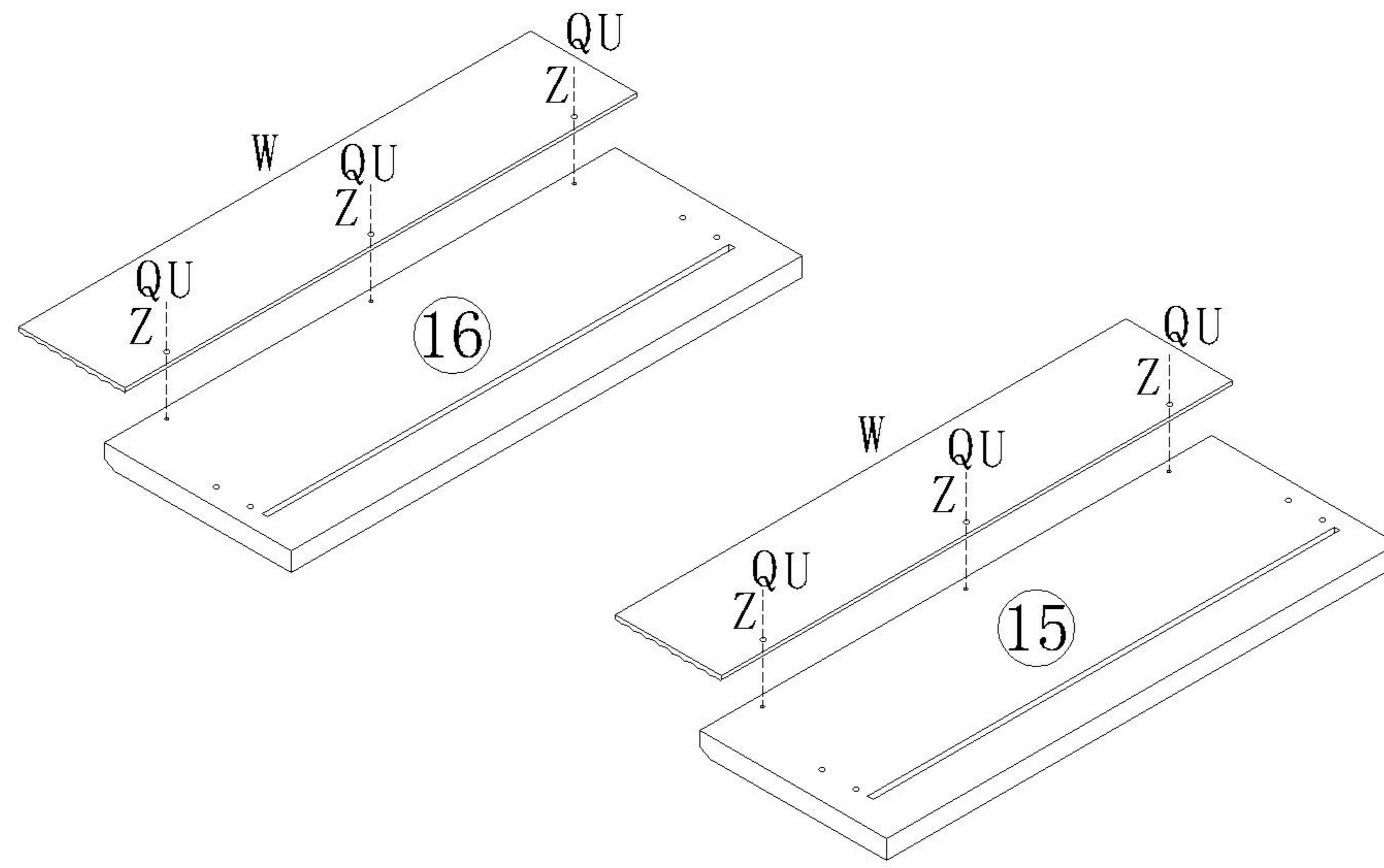
(U)\*6



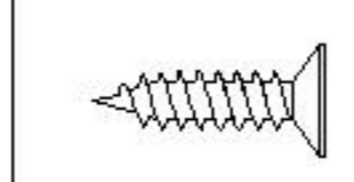
(W)\*2



(Z)\*6



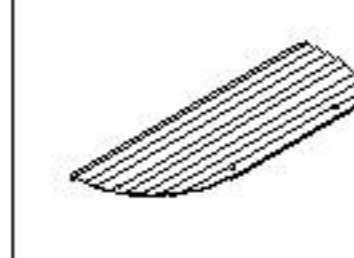
1



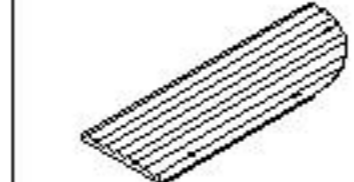
(Q)\*6



(U)\*6



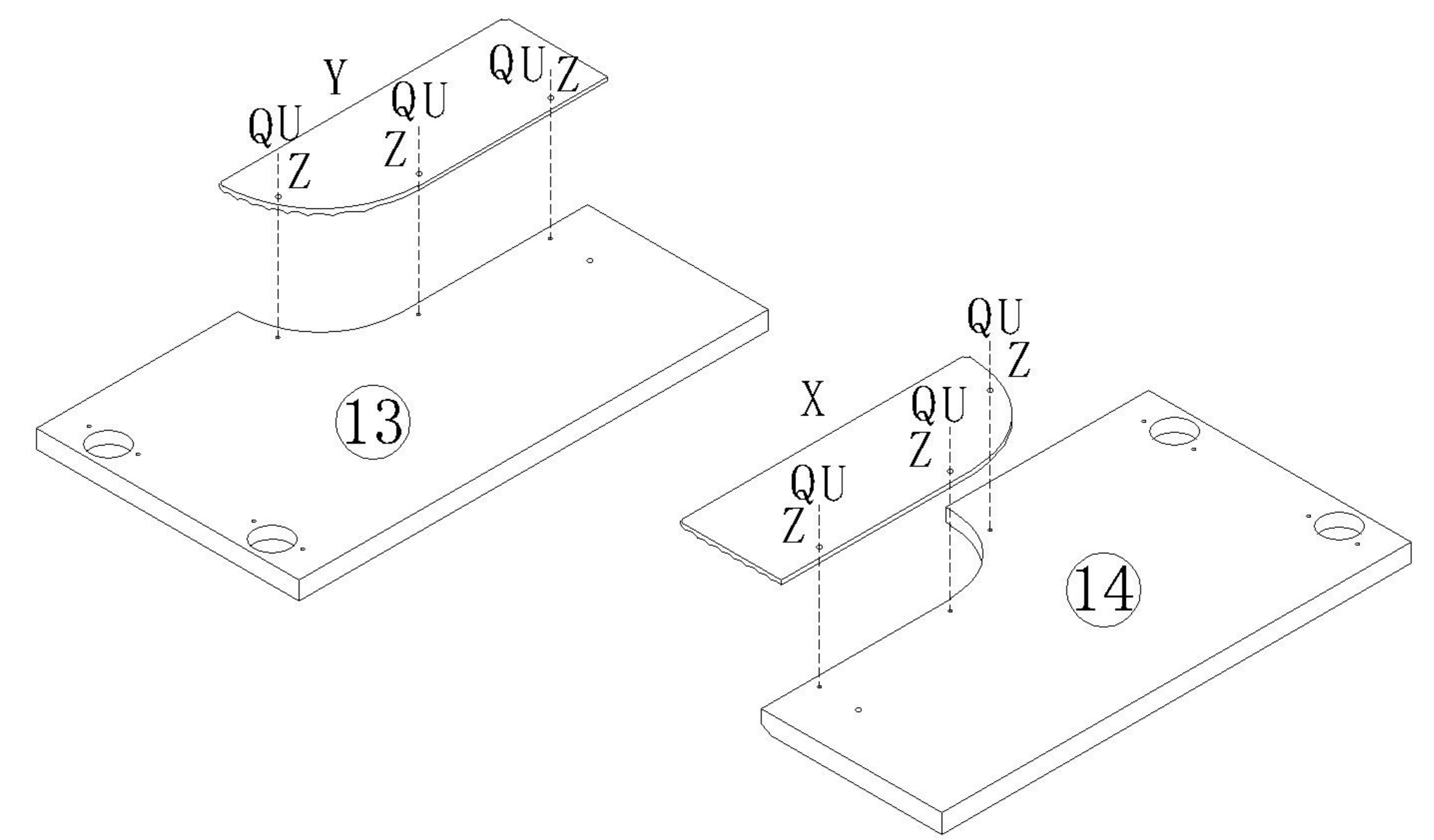
(X)\*1



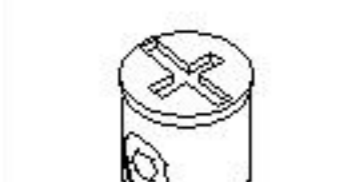
(Y)\*1



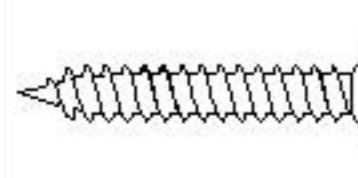
(Z)\*6



2



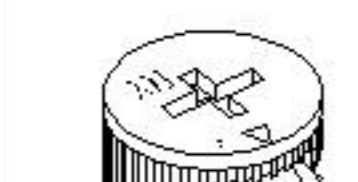
(D)\*4



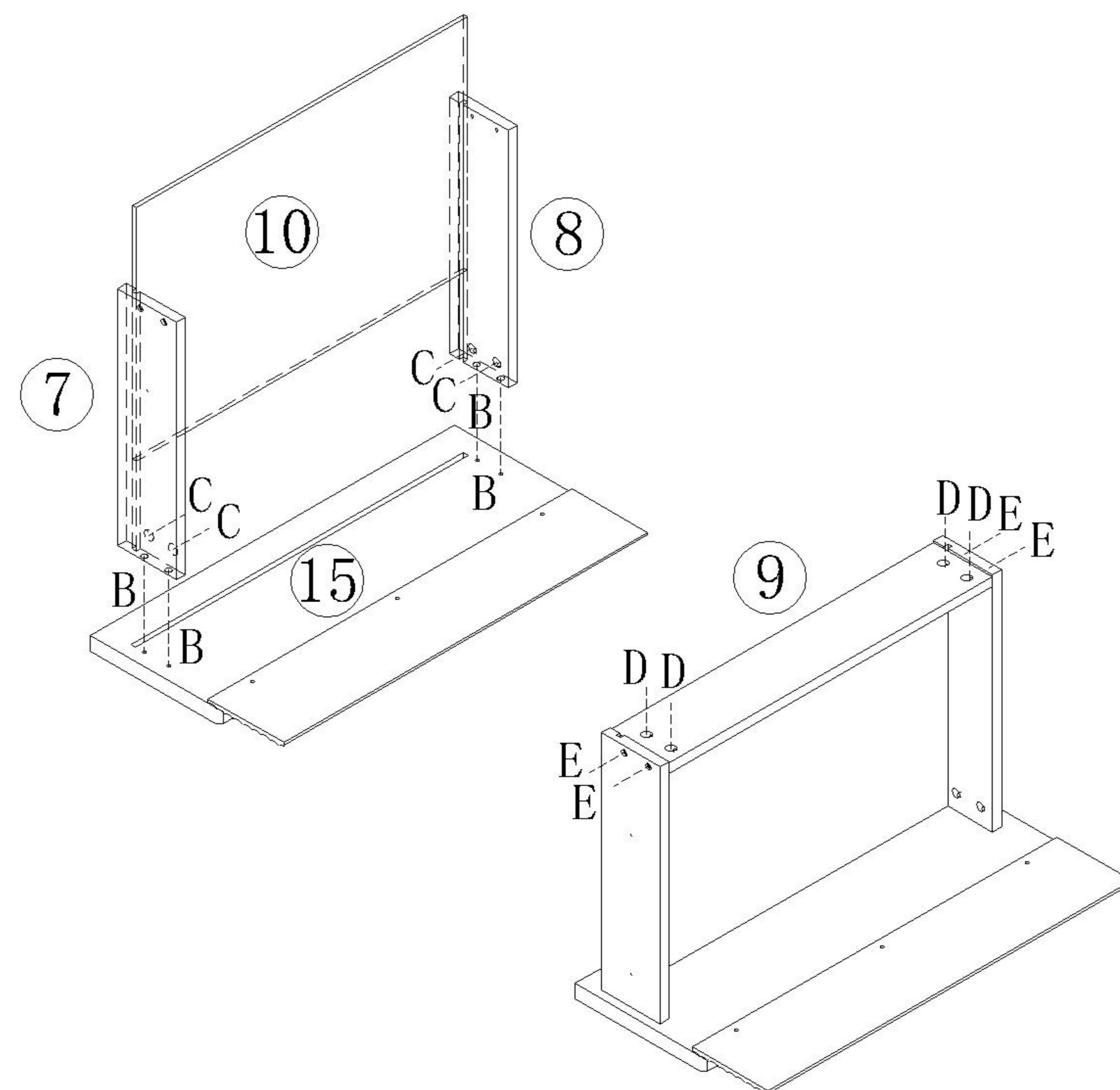
(E)\*4



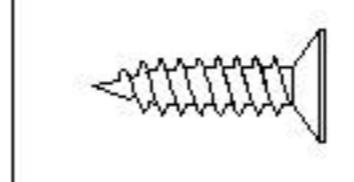
(B)\*4



(C)\*4



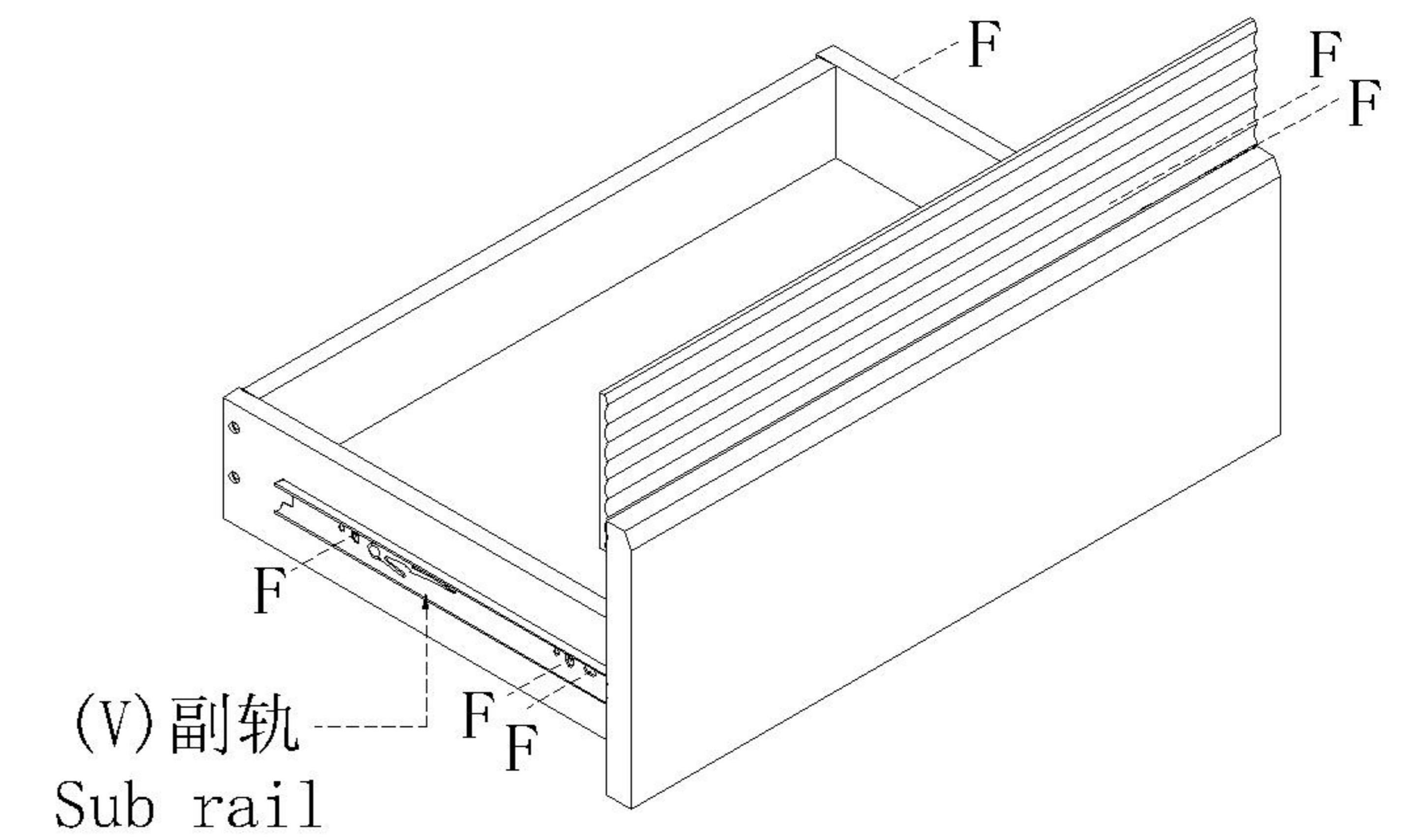
3



(F)\*6



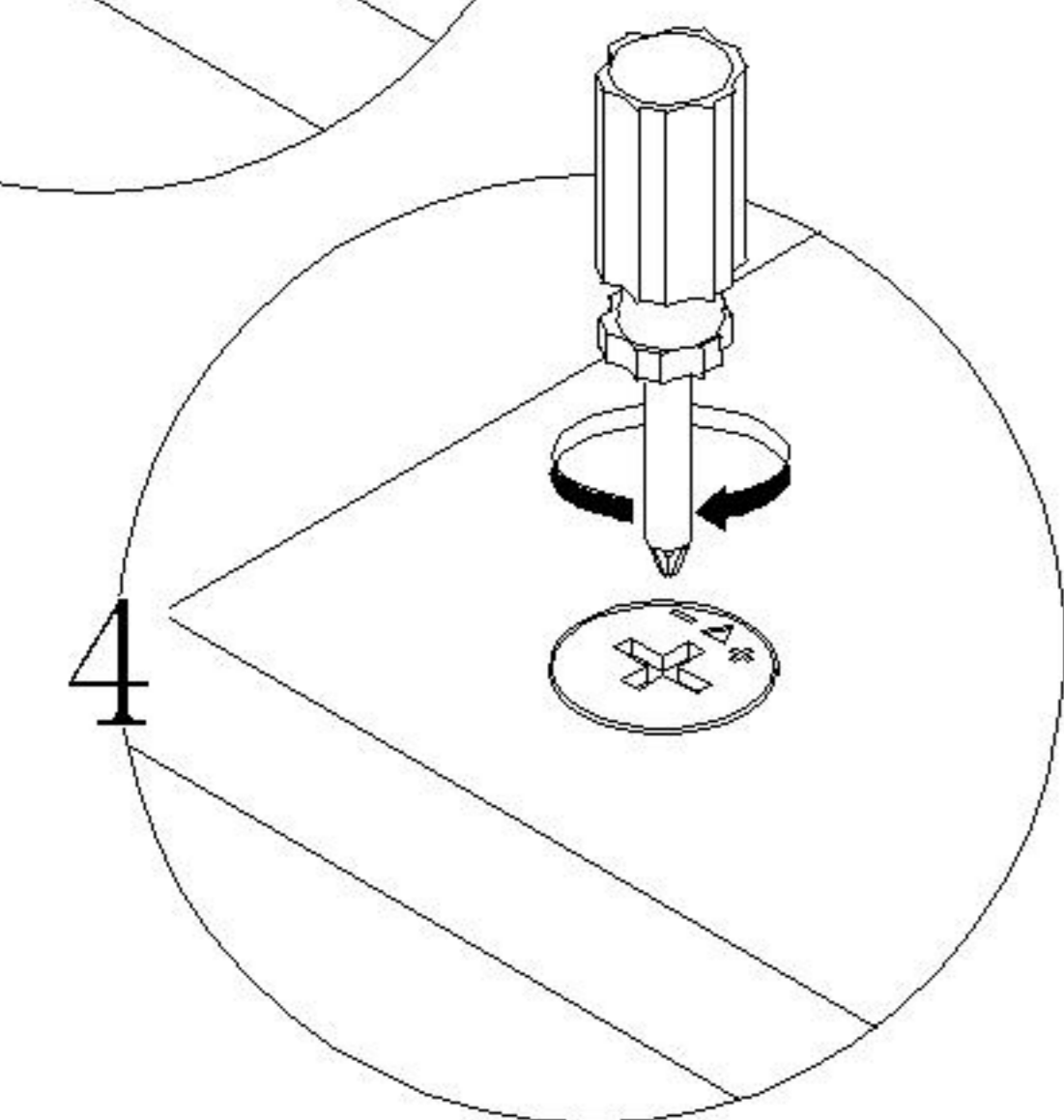
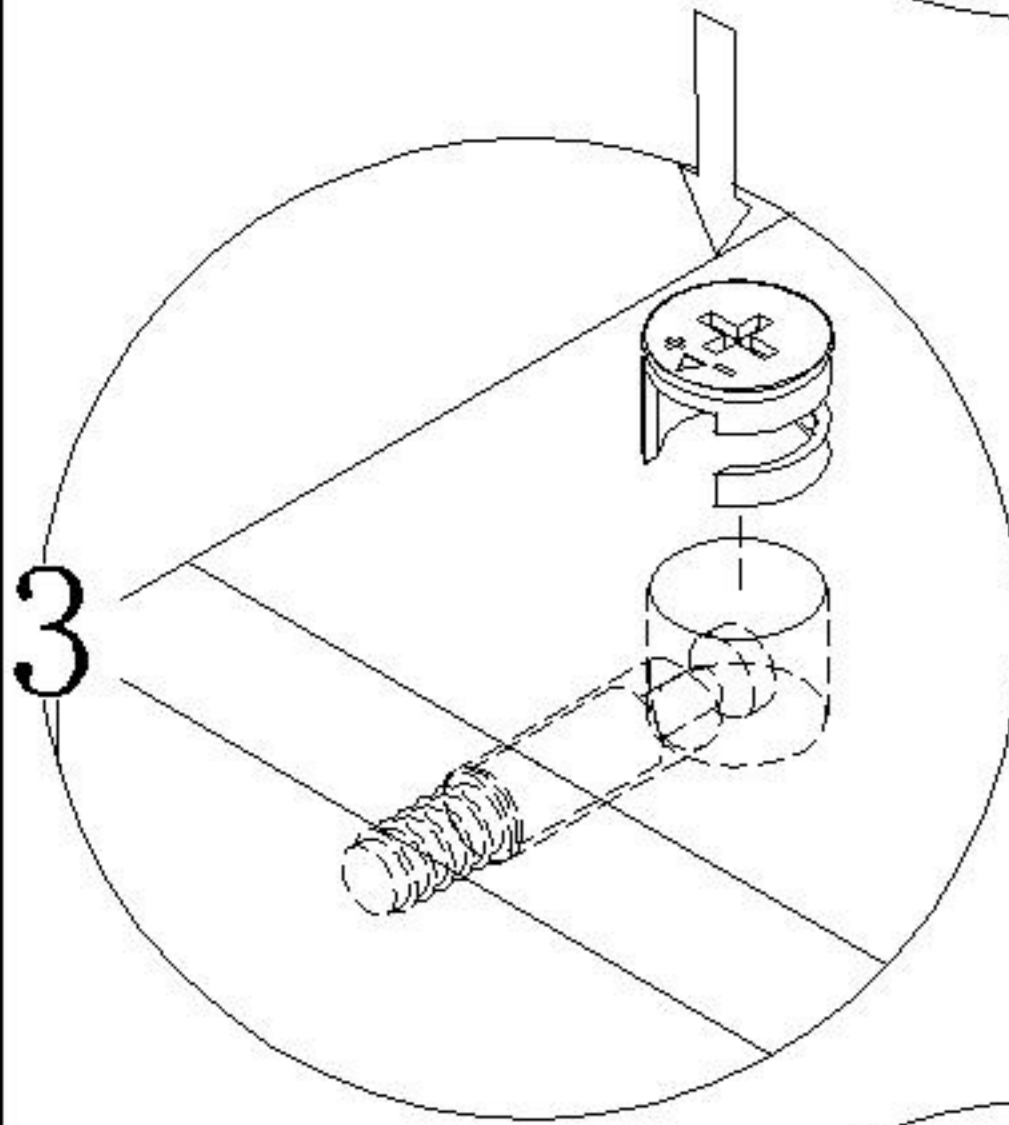
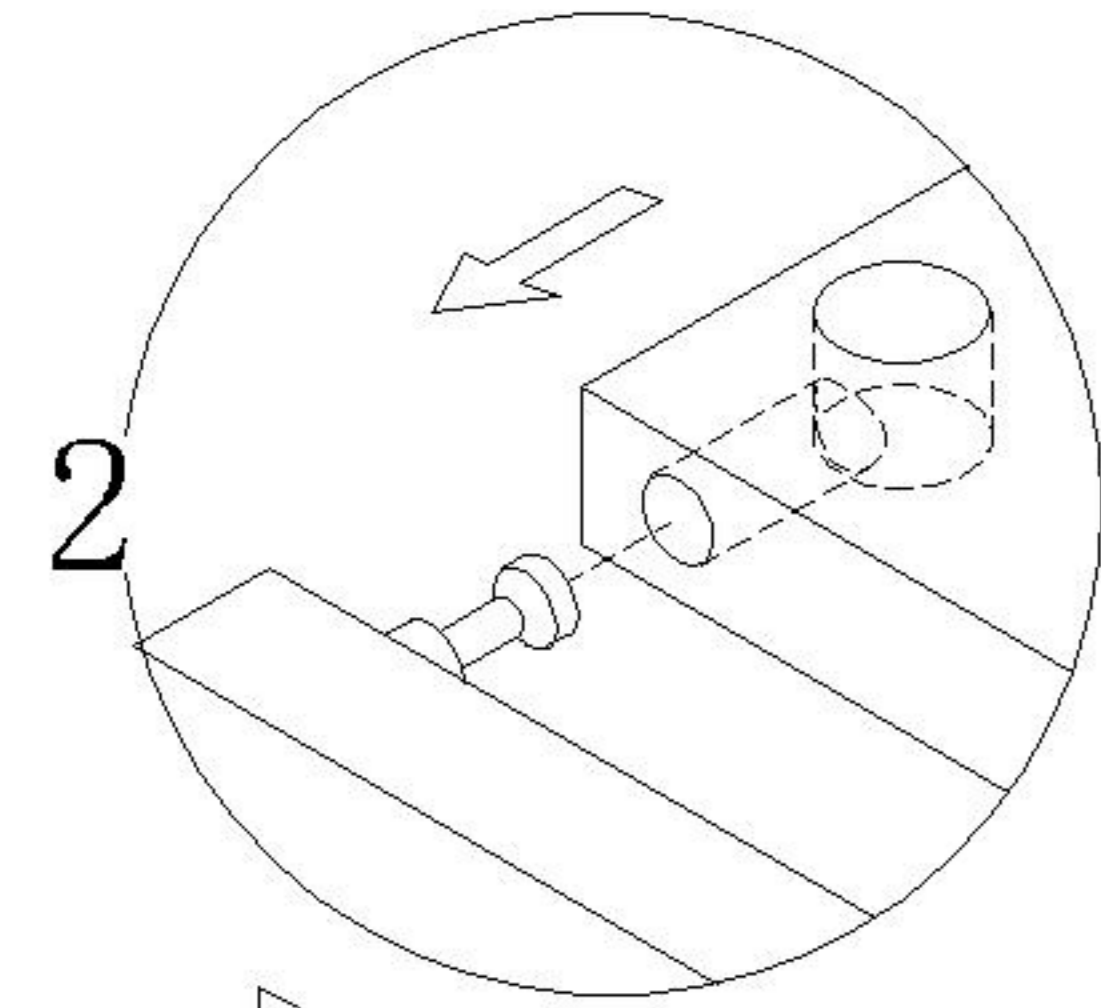
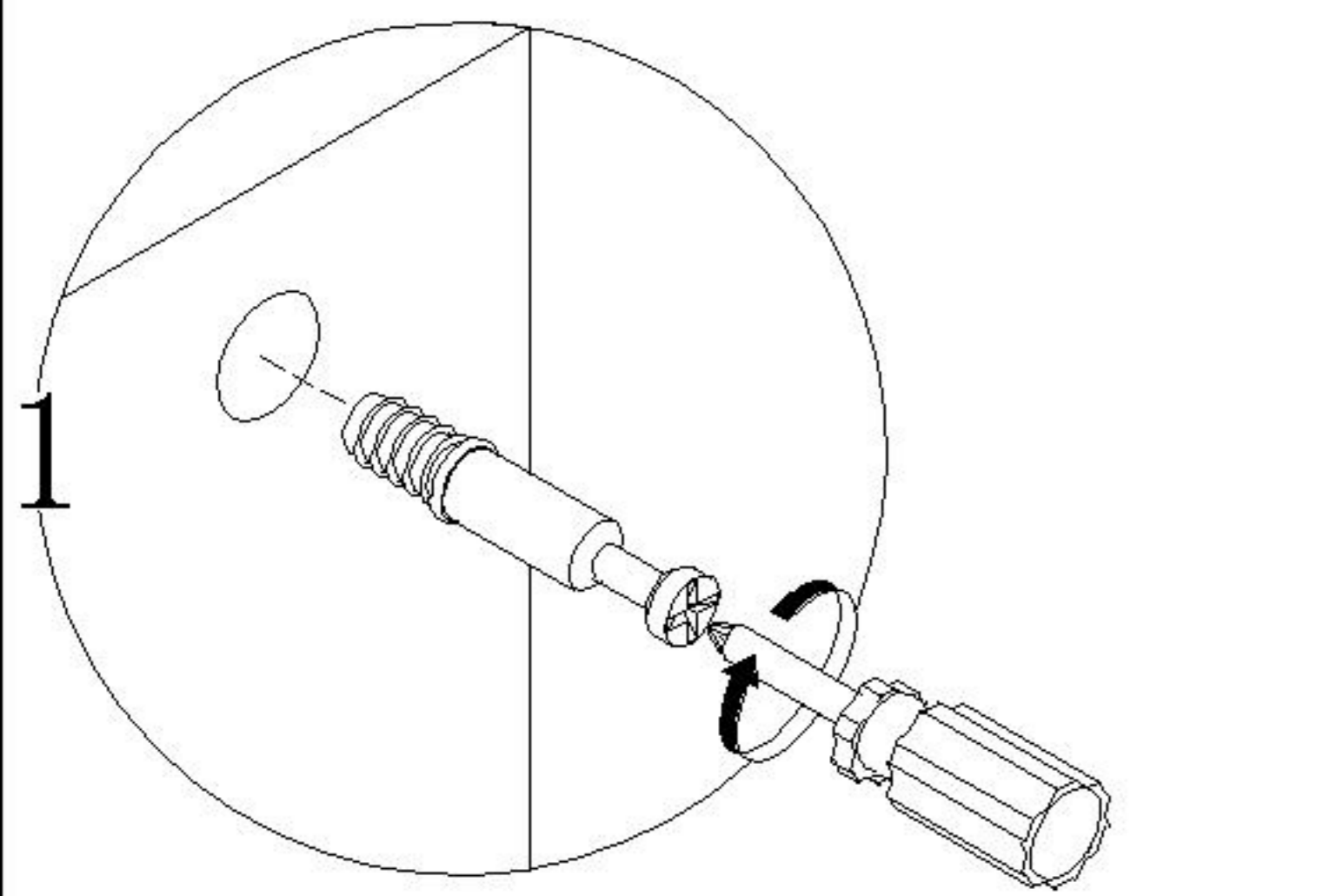
(V)\*1



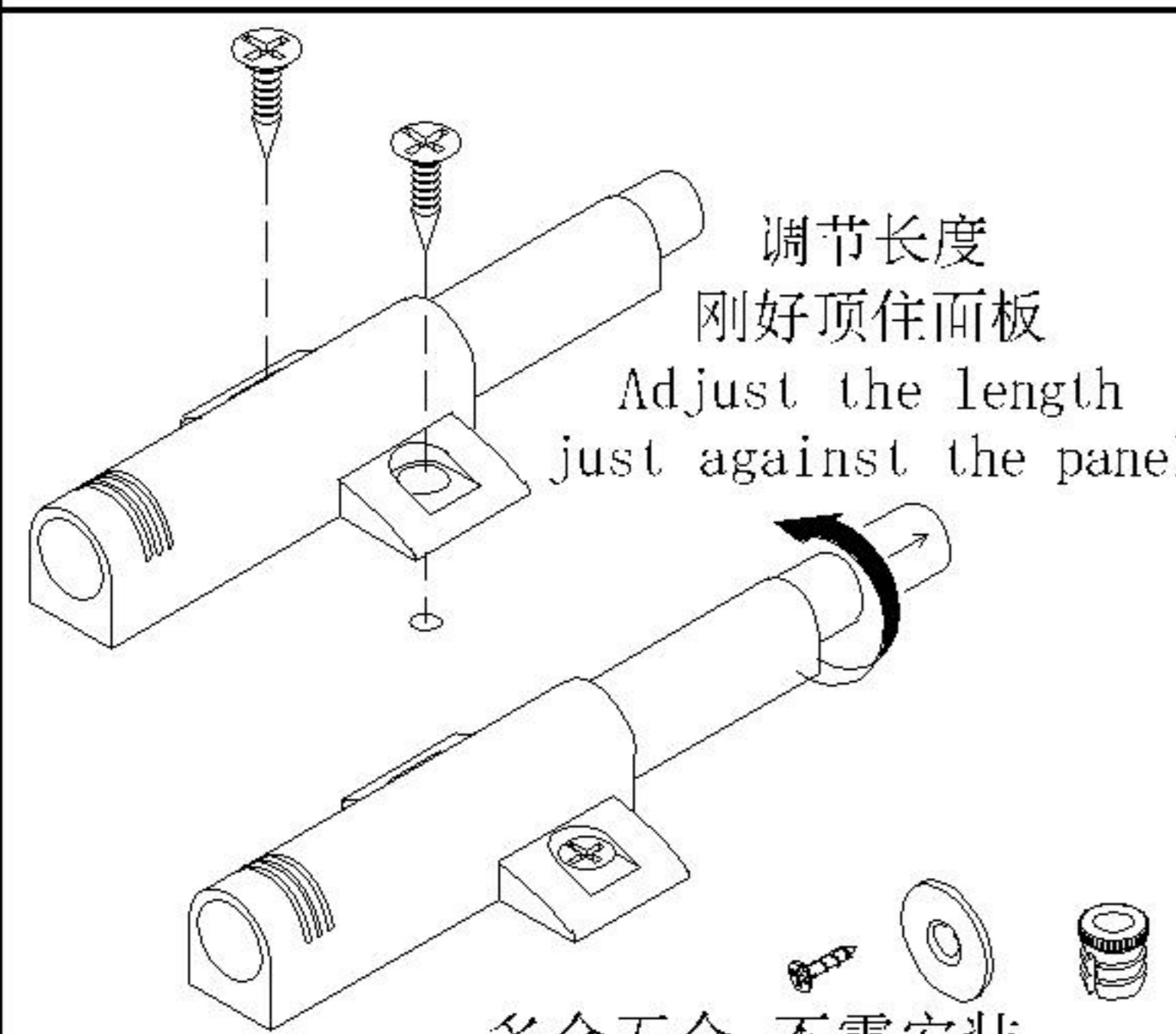
4

TU1M-A

安装方法/  
Installation method



大二合一  
two-in-one

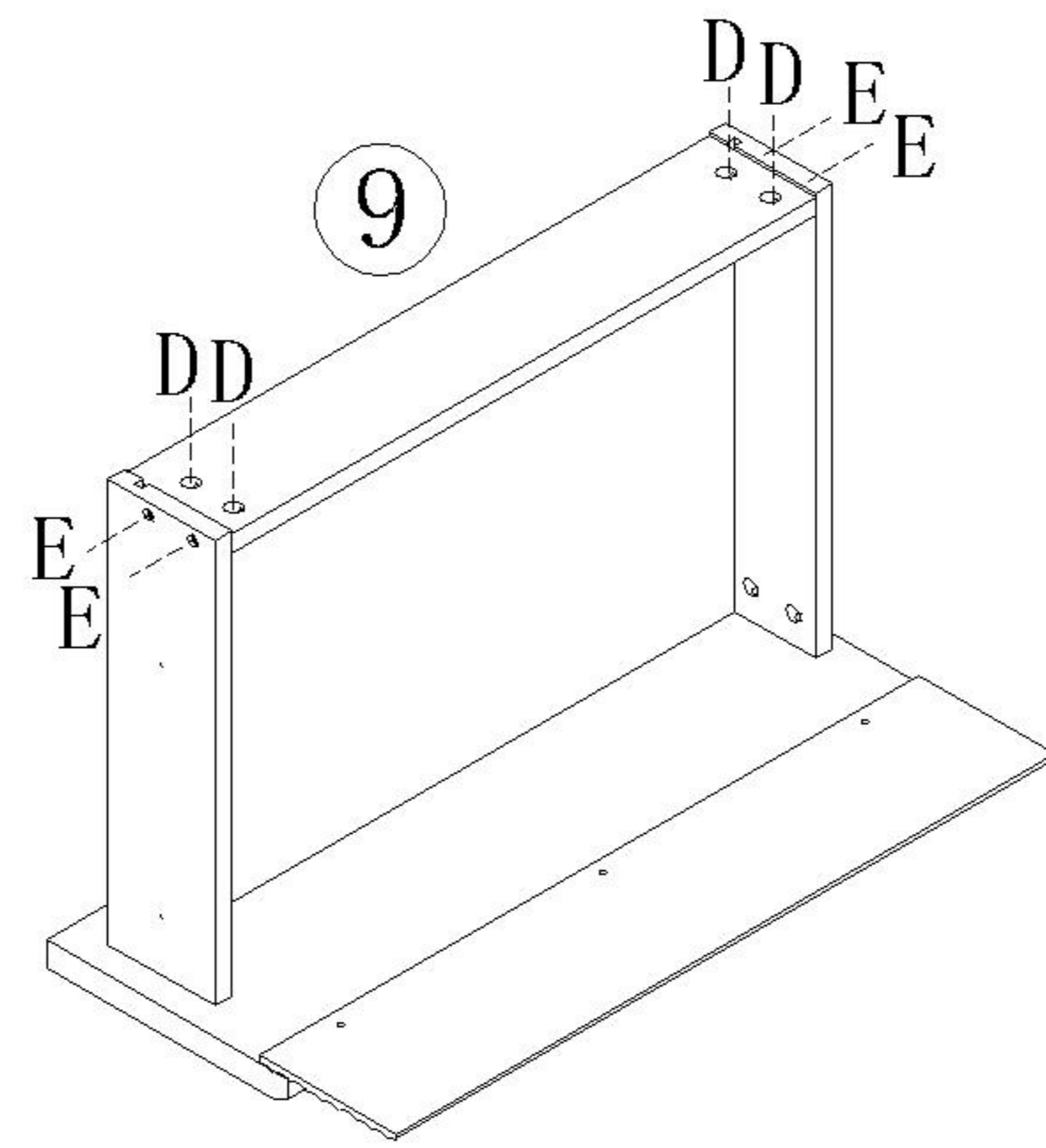
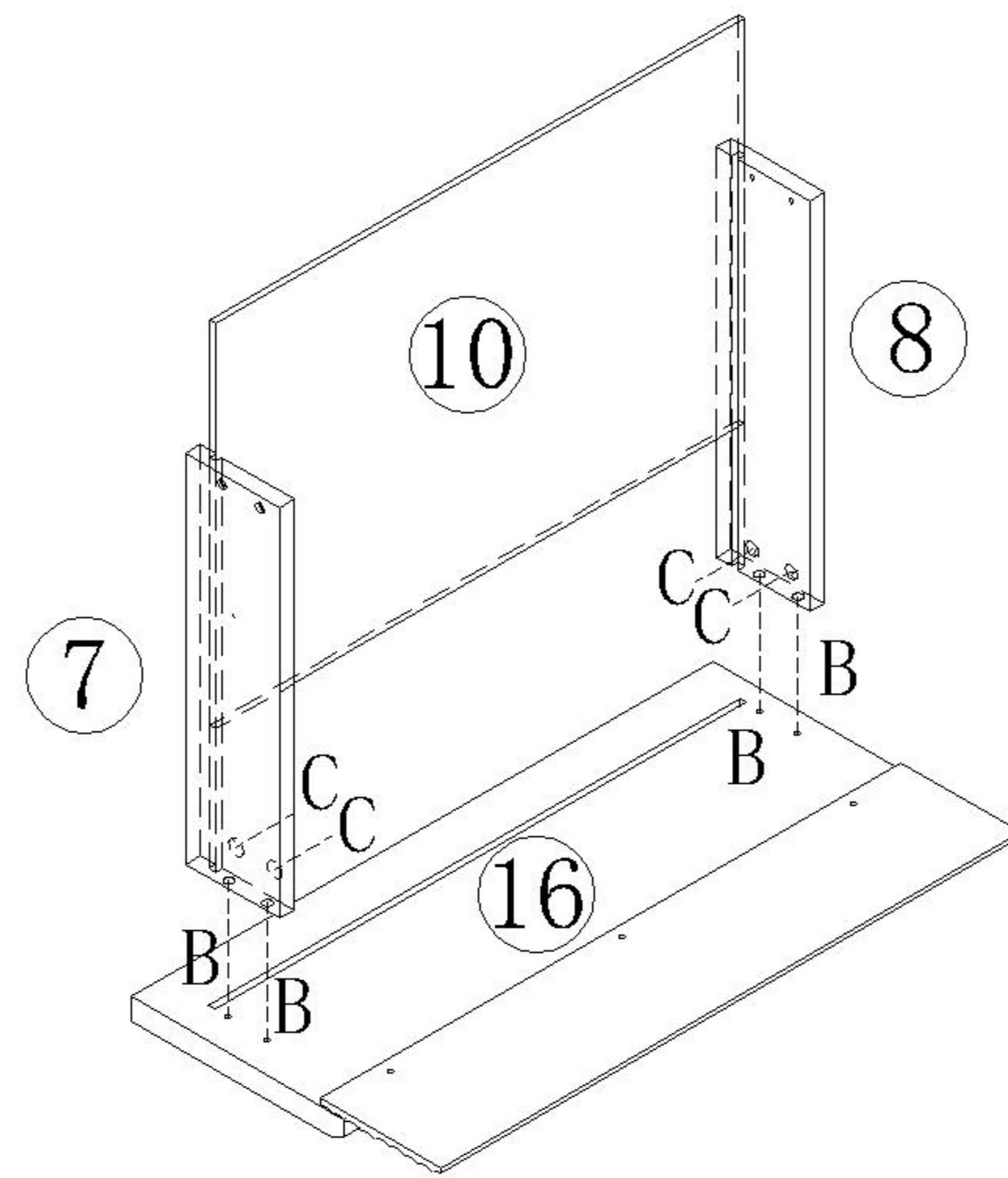


调节长度  
刚好顶住面板  
Adjust the length  
just against the panel

多余五金, 不需安装  
Redundant hardware,  
no installation required

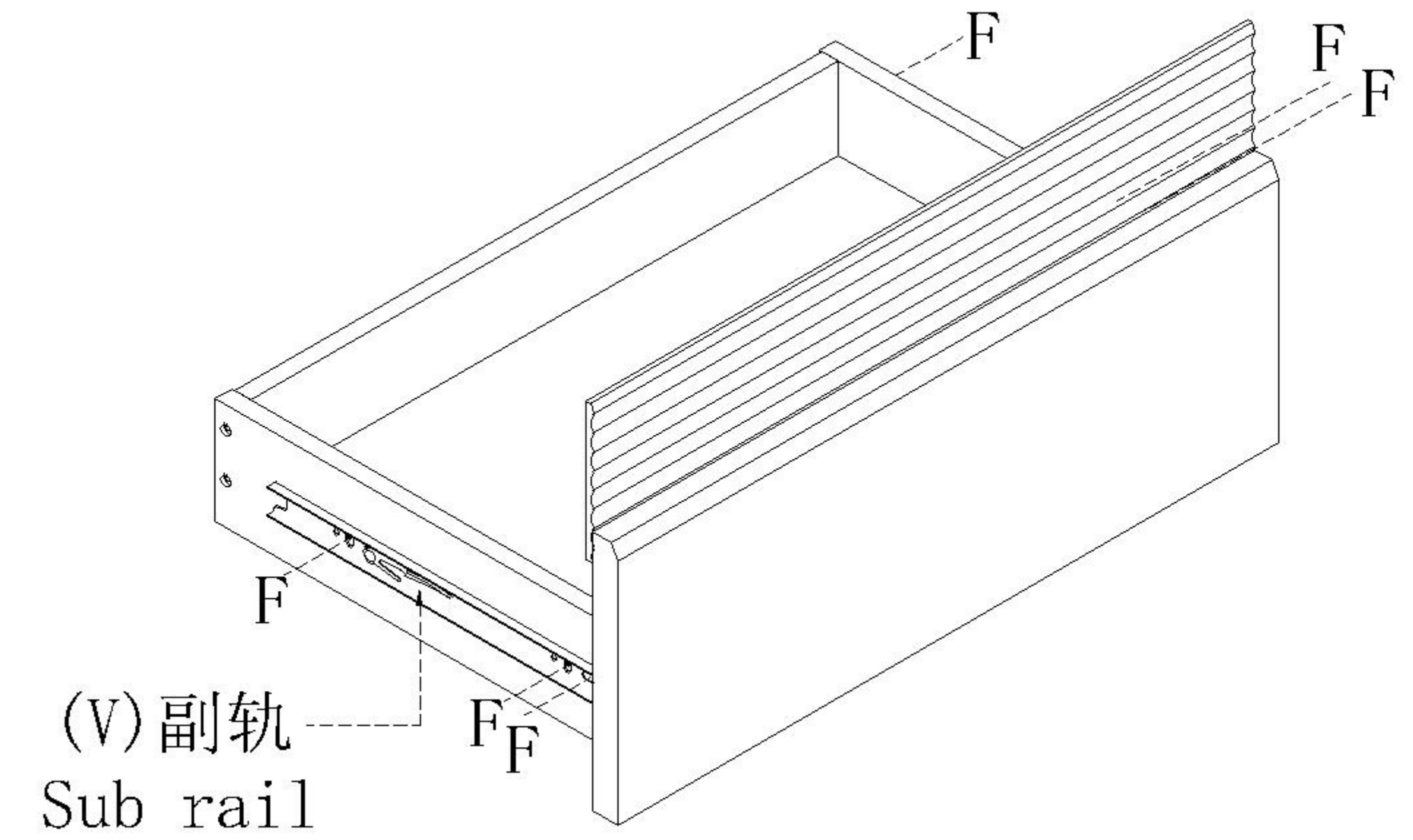
反弹器安装及调节方法  
Installation and adjustment  
method of rebounder

- (D)\*4
- (E)\*4
- (B)\*4
- (C)\*4



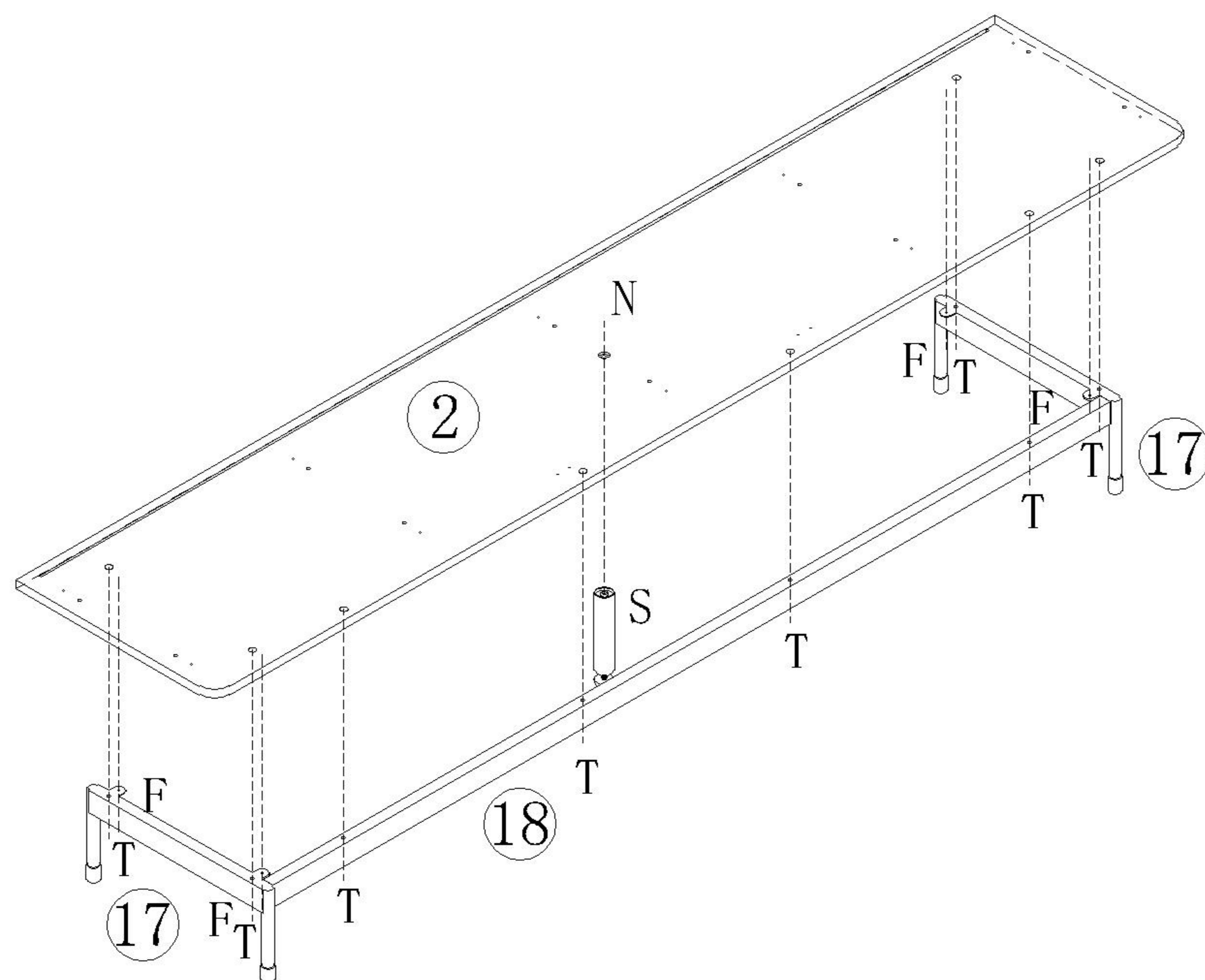
5

- (F)\*6
- (V)\*1



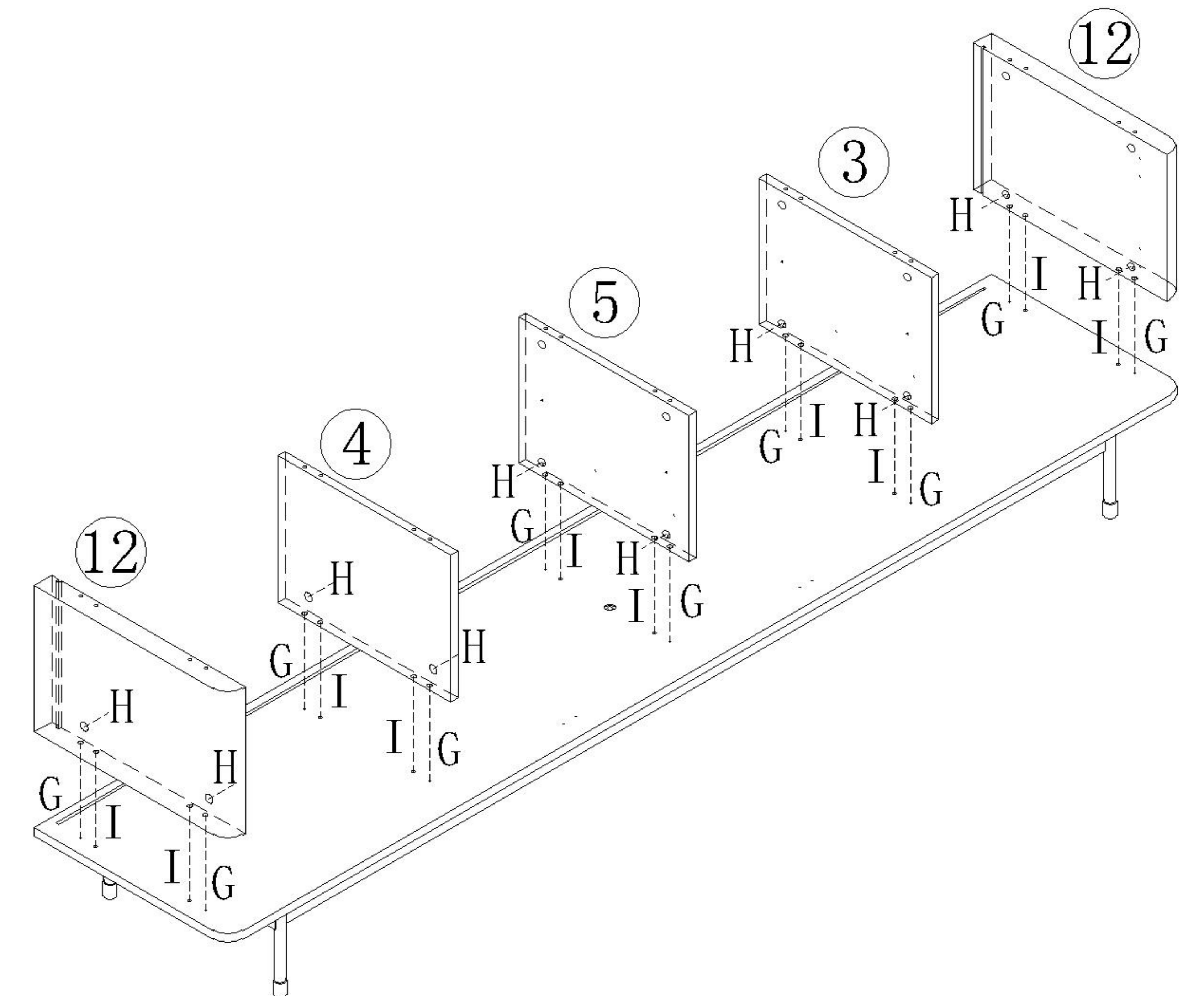
6

- (F)\*4
- (N)\*1
- (S)\*1
- (T)\*8



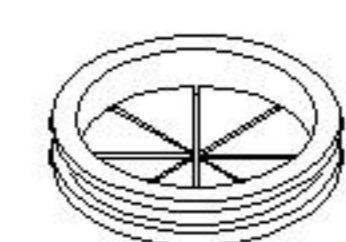
7

- (G)\*10
- (H)\*10
- (I)\*10



8

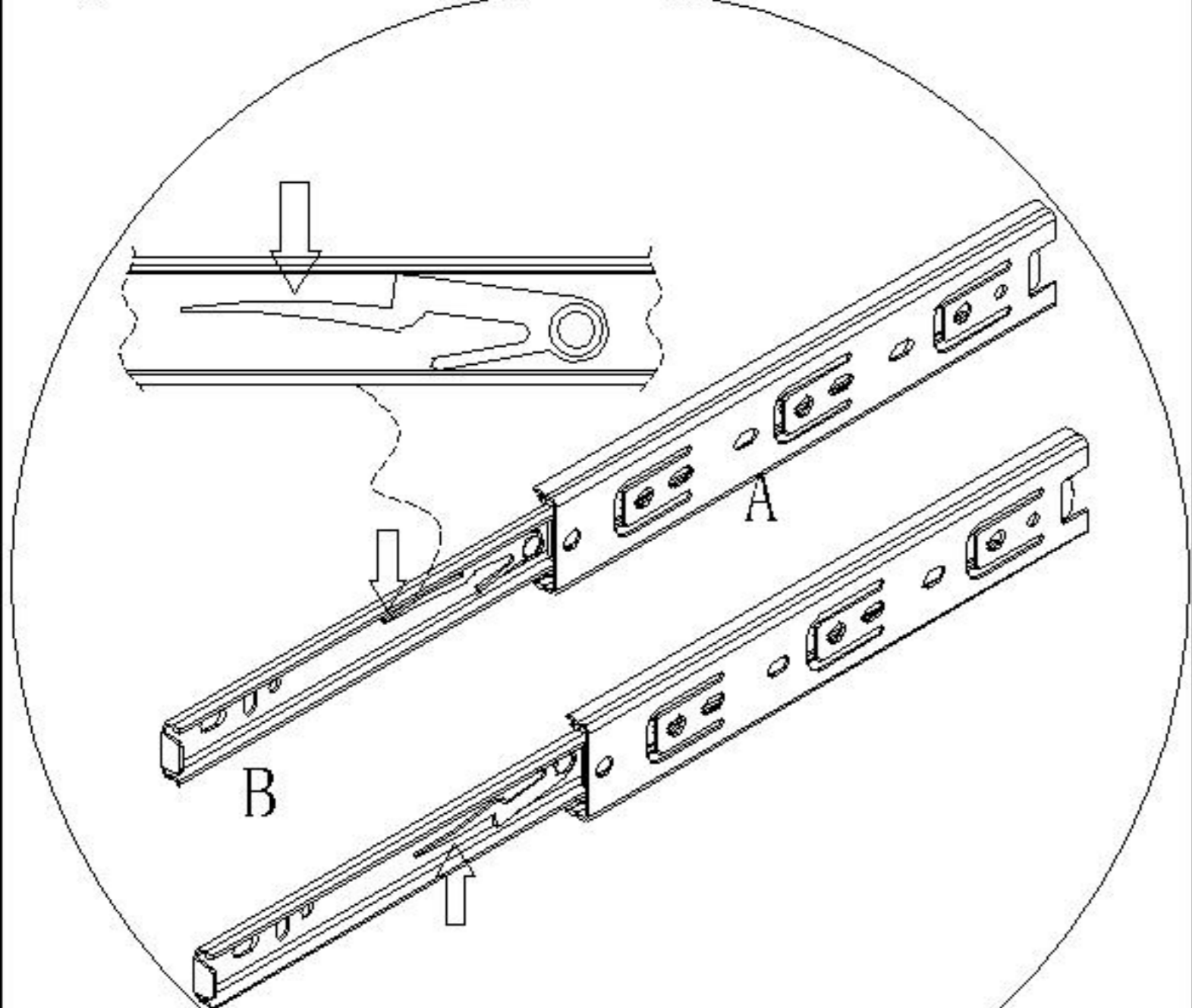
TU1M-A



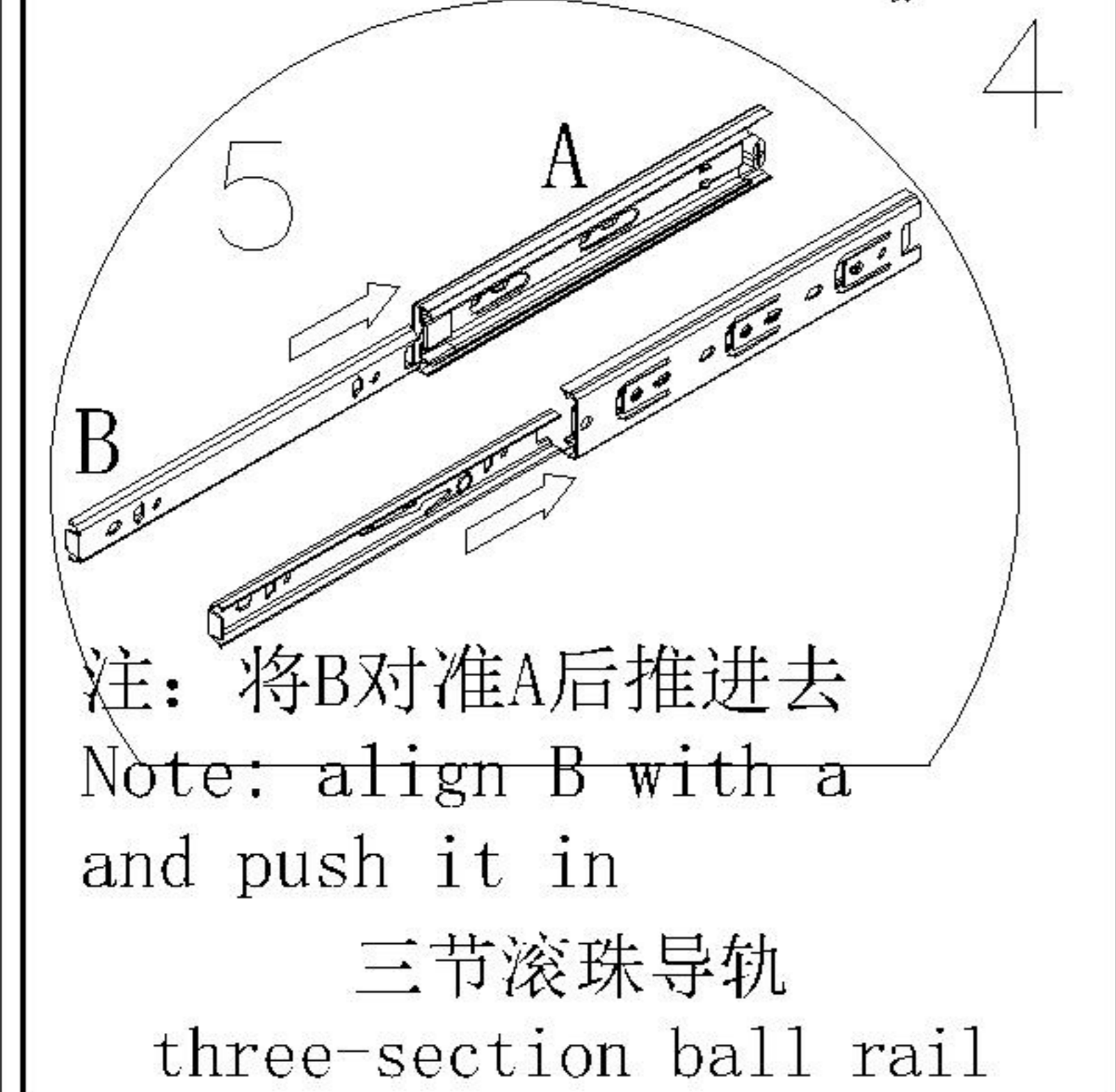
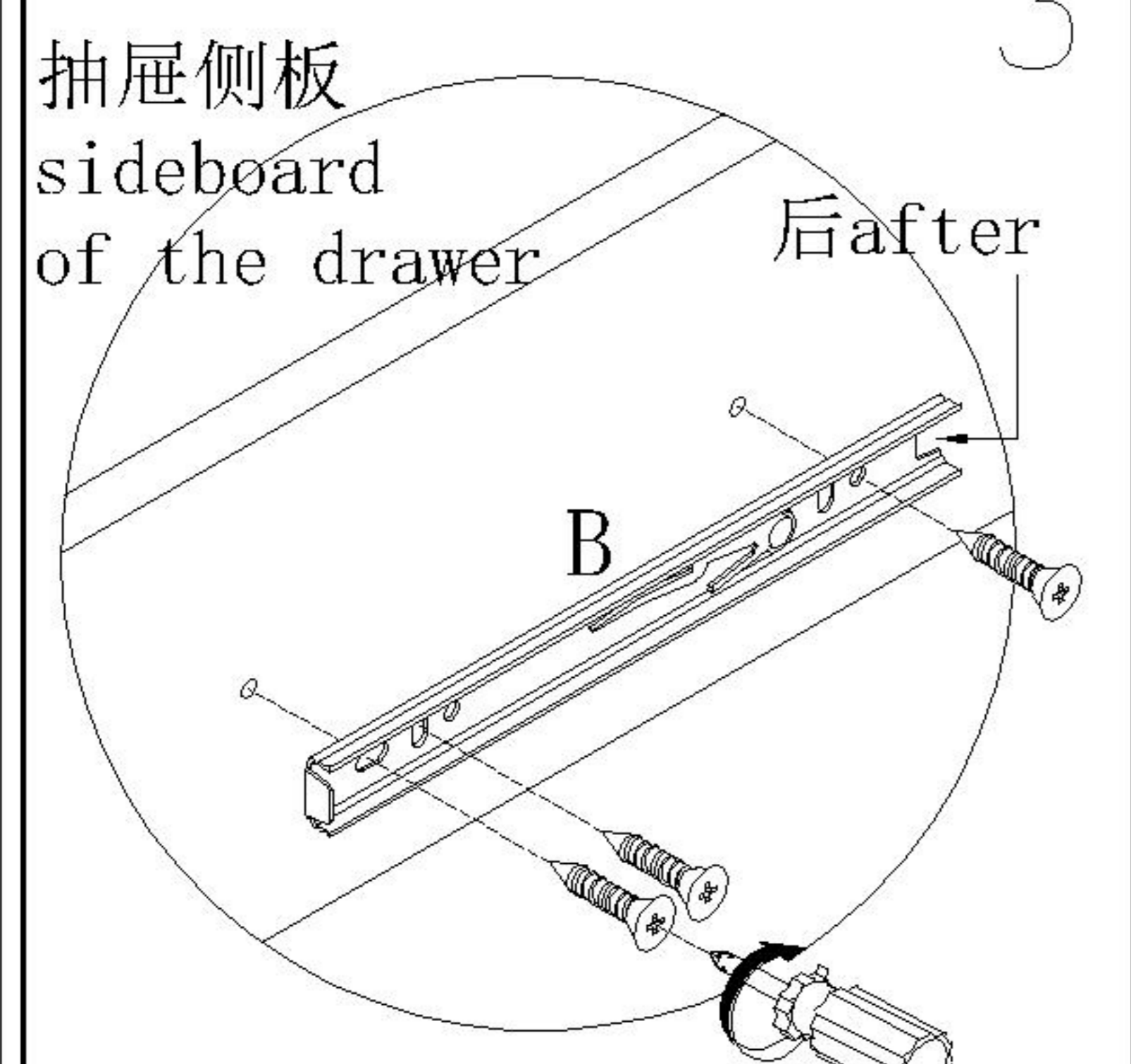
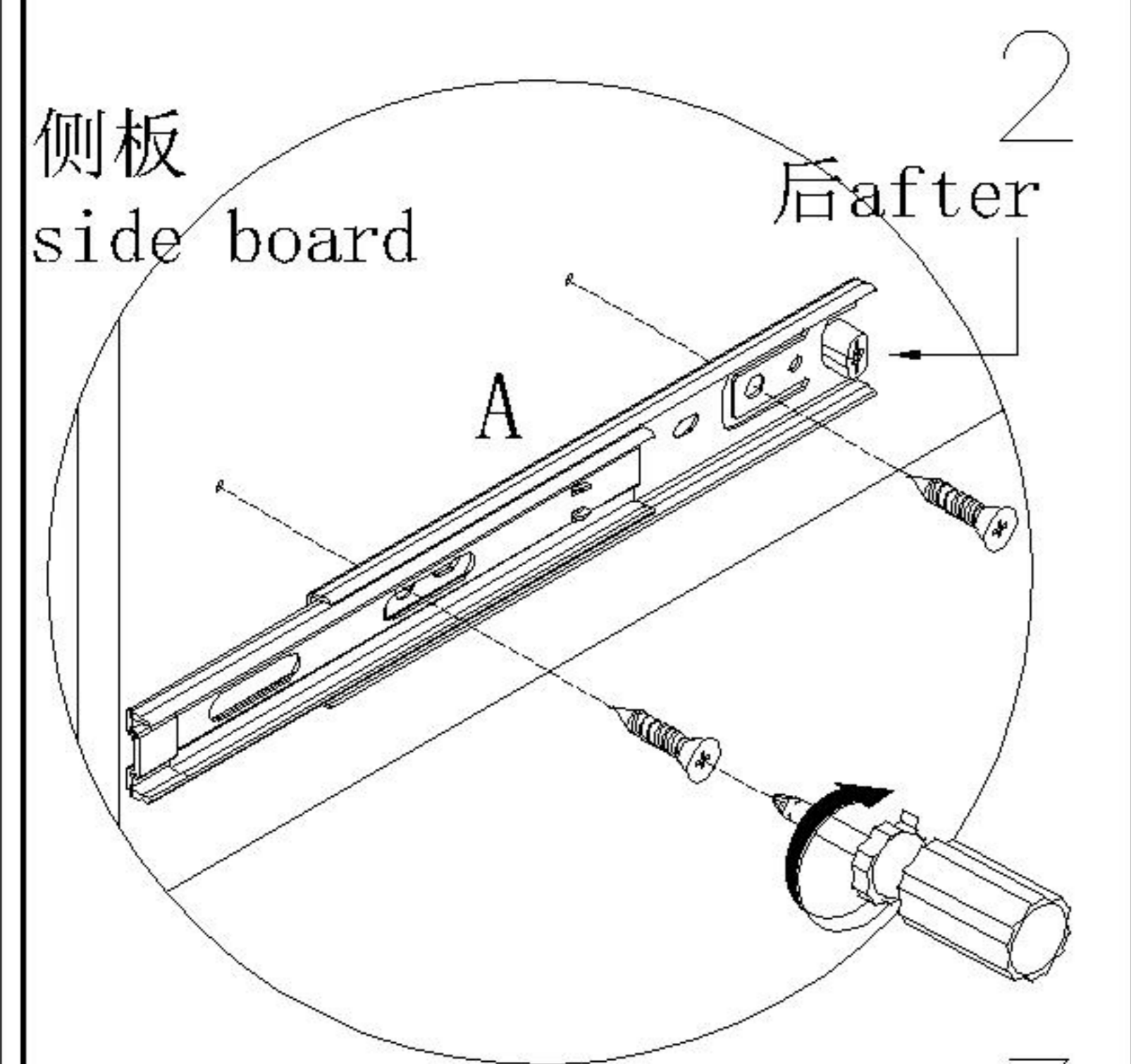
(K)\*2

### 安装方法/ Installation method

1  
阀门开关(下压为开)  
Valve switch  
(press down to open)

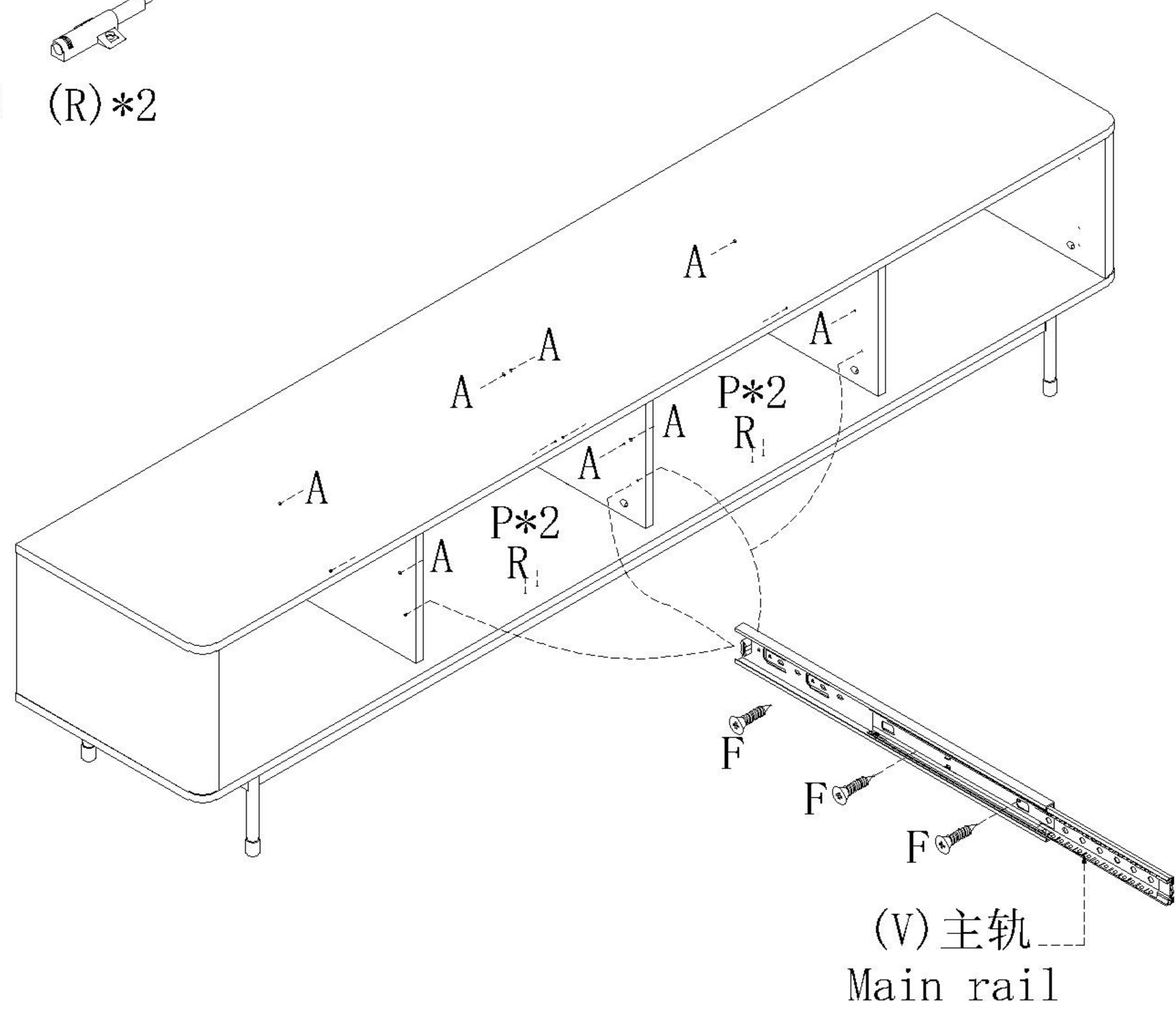


注: 先将A与B拆下来  
Note: remove a and B first



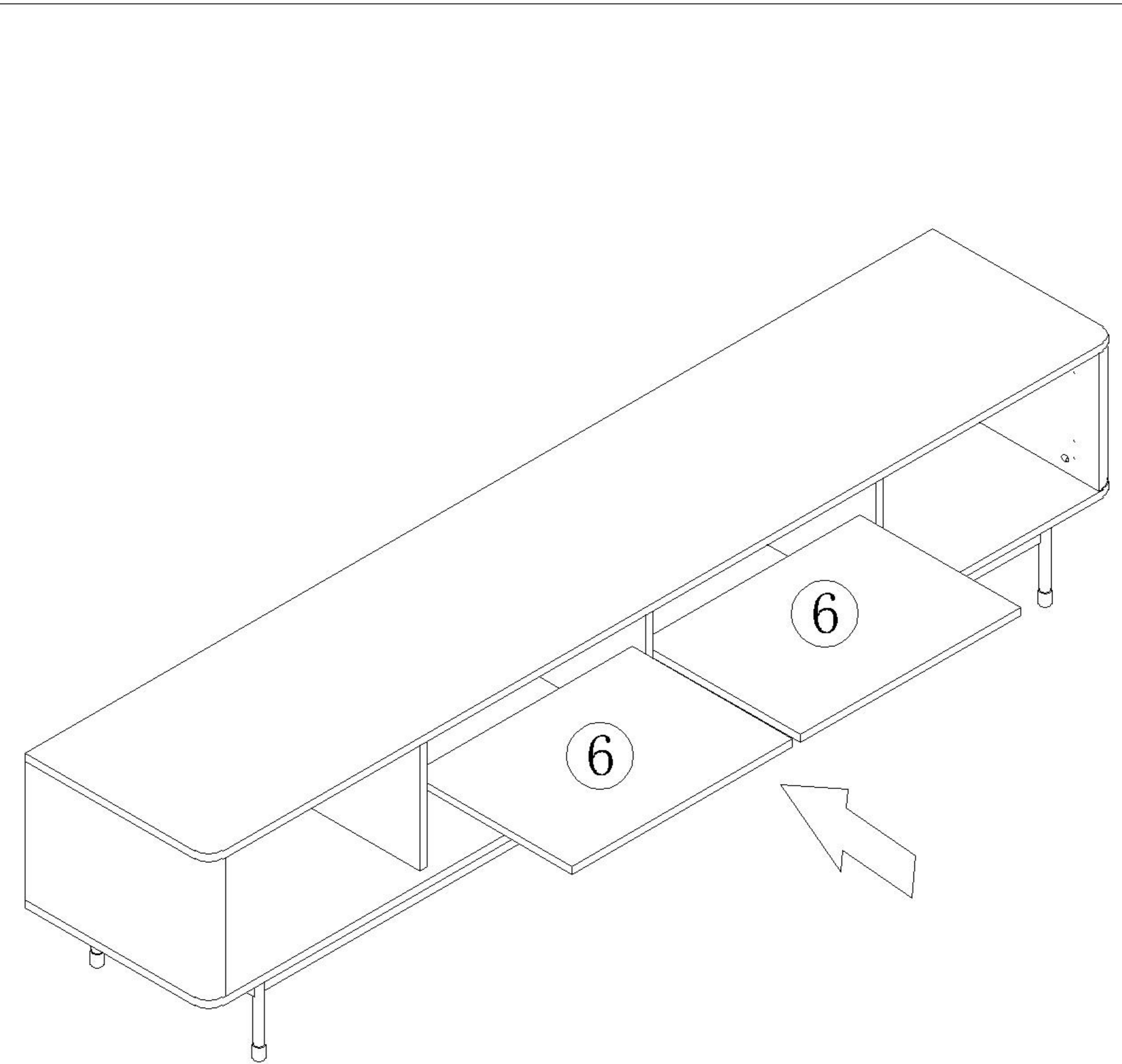
(A)\*8 (P)\*4 (V)\*2

(F)\*12 (R)\*2



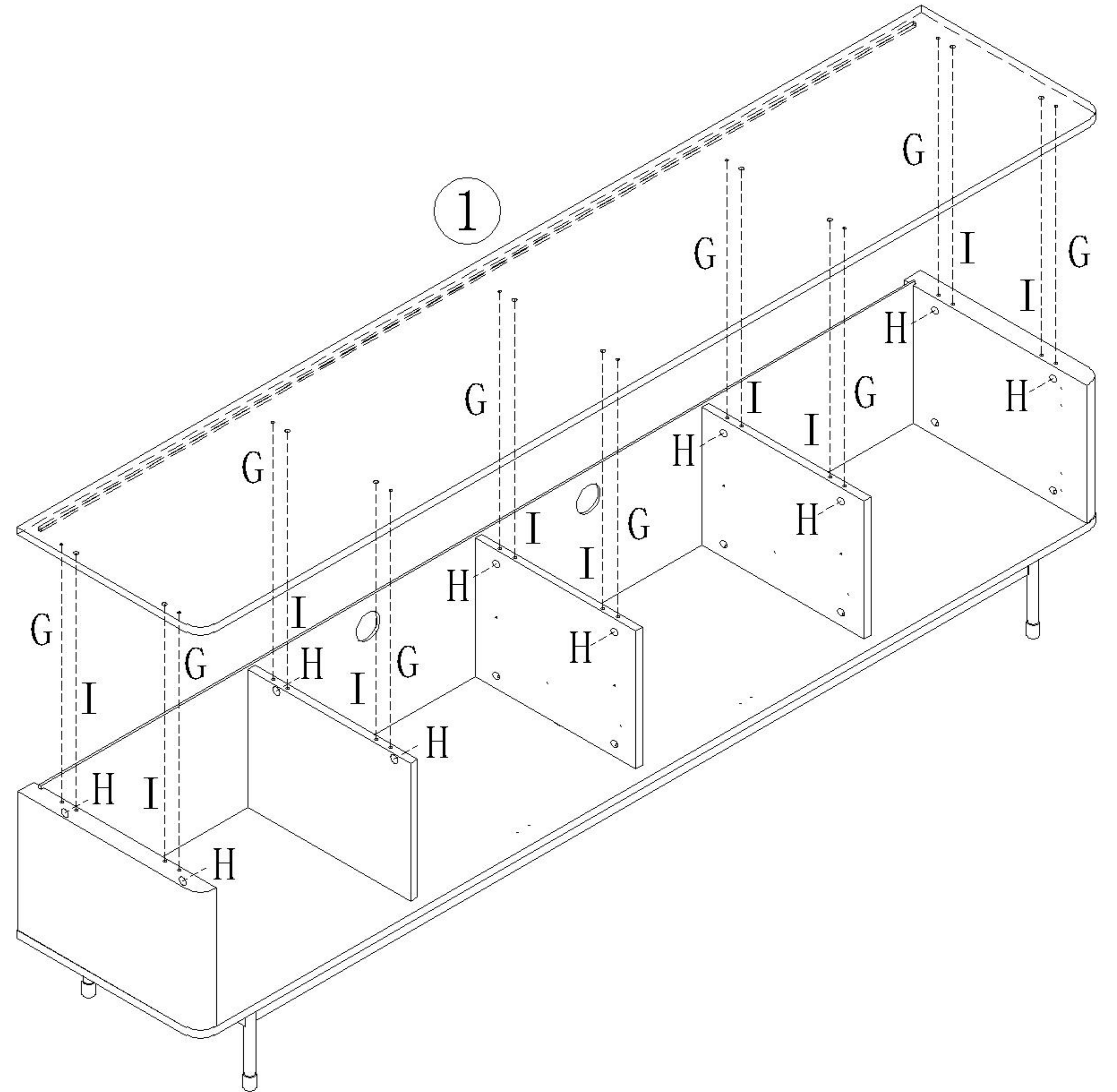
11

12



9

(G)\*10  
(H)\*10  
(I)\*10



12

9

10

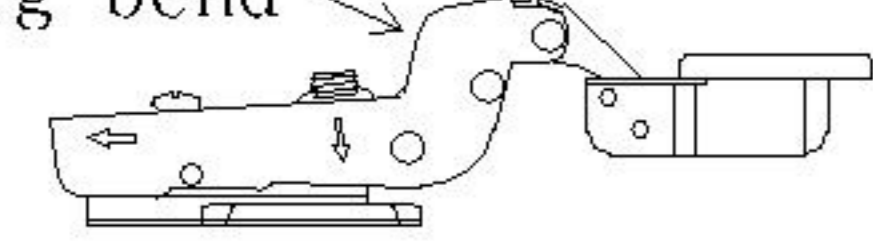
11

12

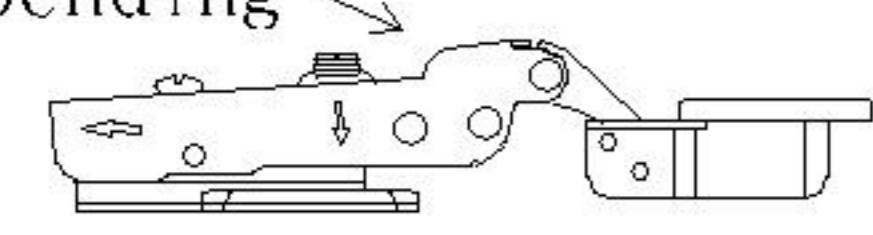
TU1M-A

安装方法/  
Installation method

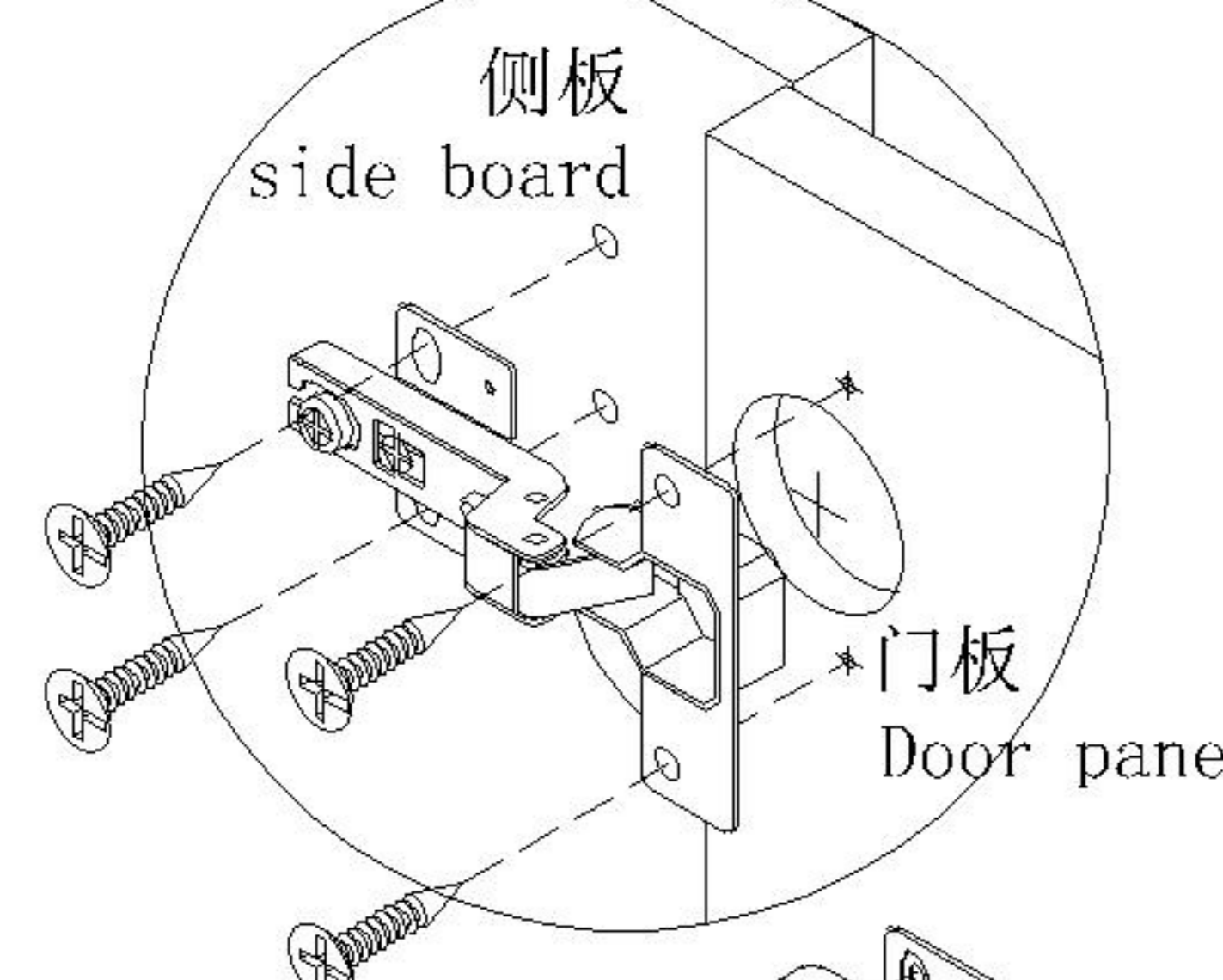
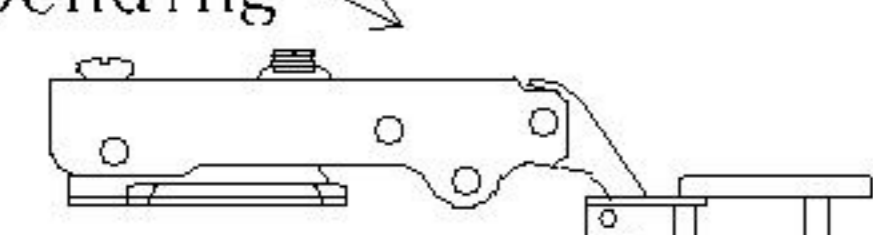
大弯big bend



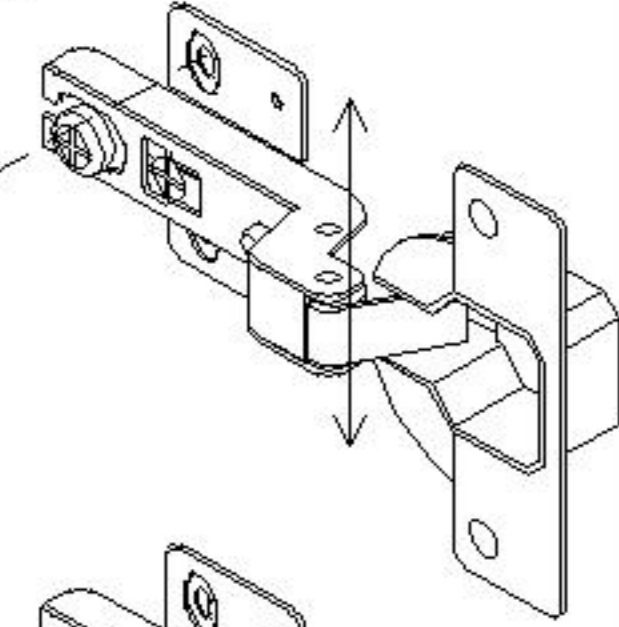
中弯middle bending



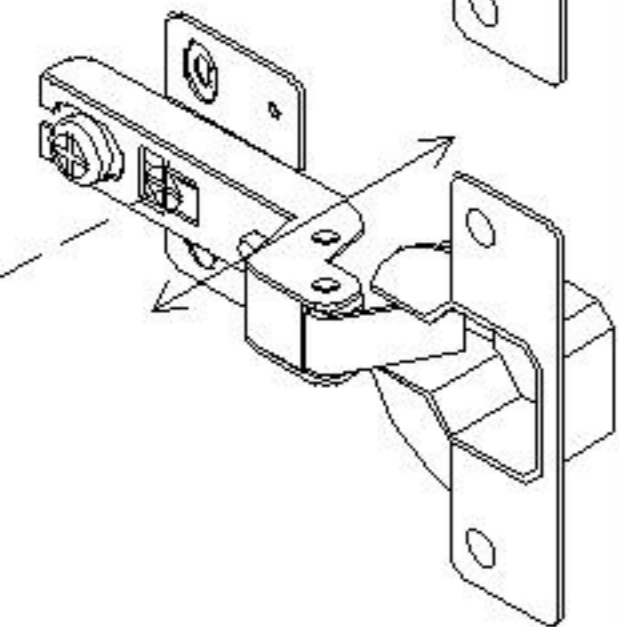
直弯straight bending



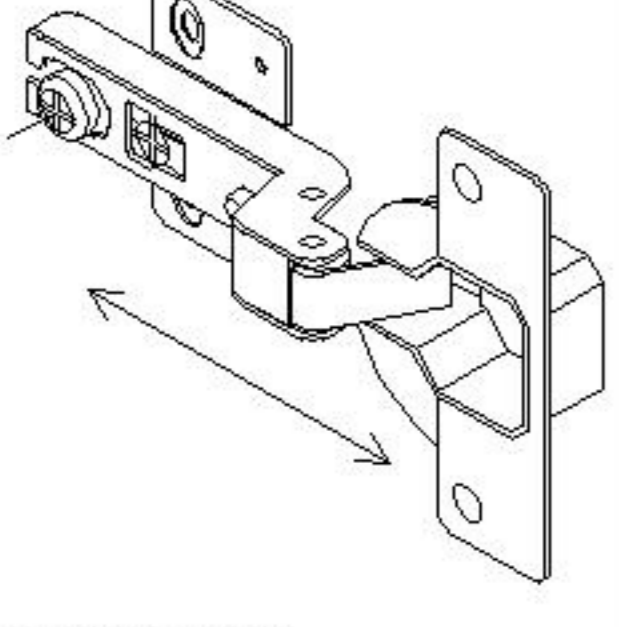
调节上下  
Adjust up and down



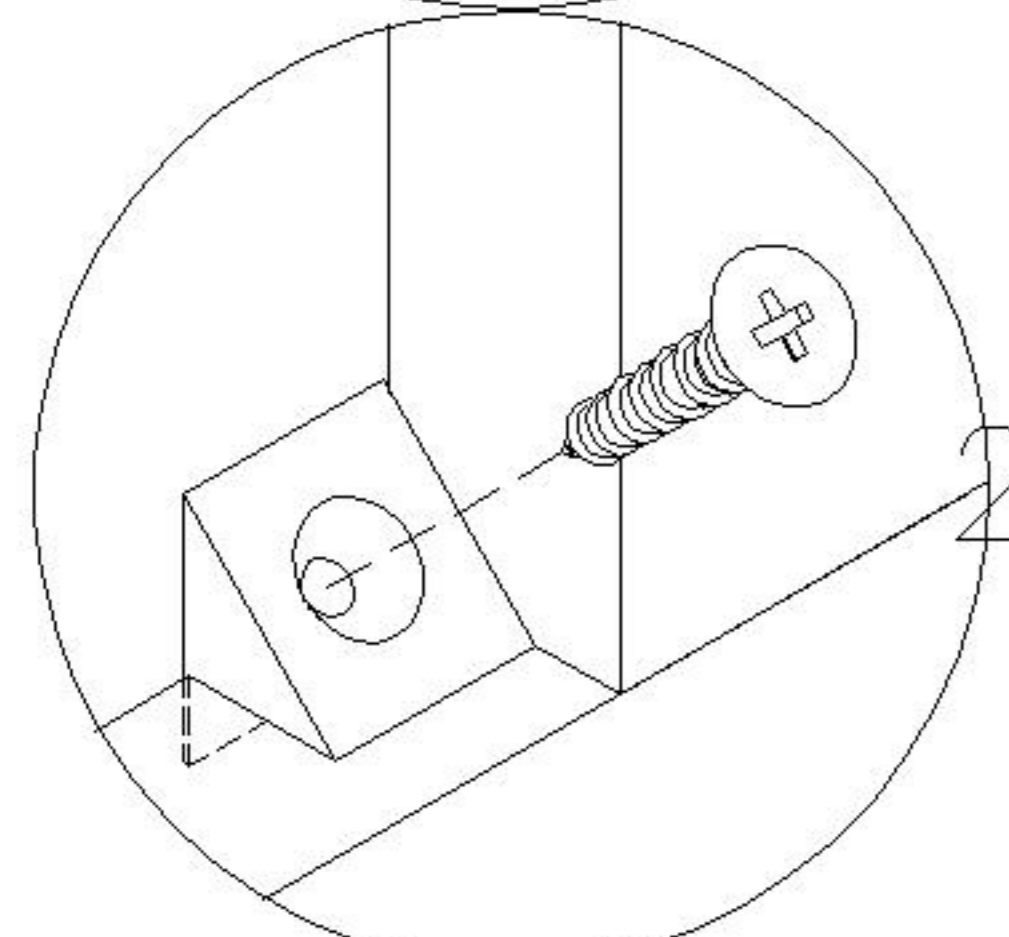
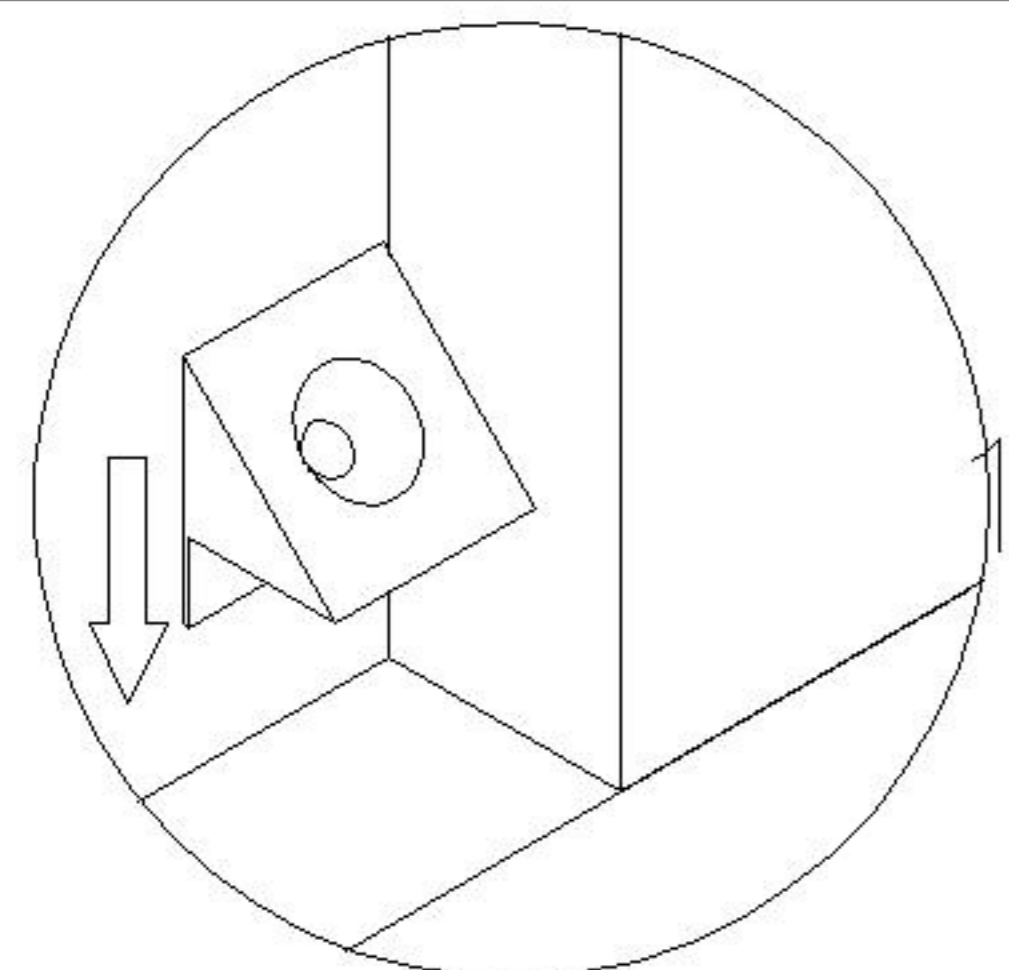
调节左右  
Adjust left and right



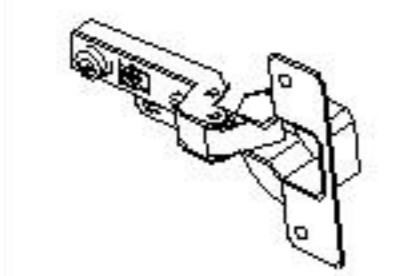
调节前后  
Before and after adjustment



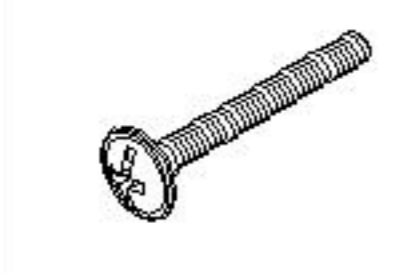
门铰  
Hinge



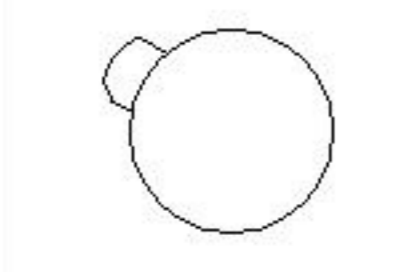
背板扣  
Back Plate Buckle-White



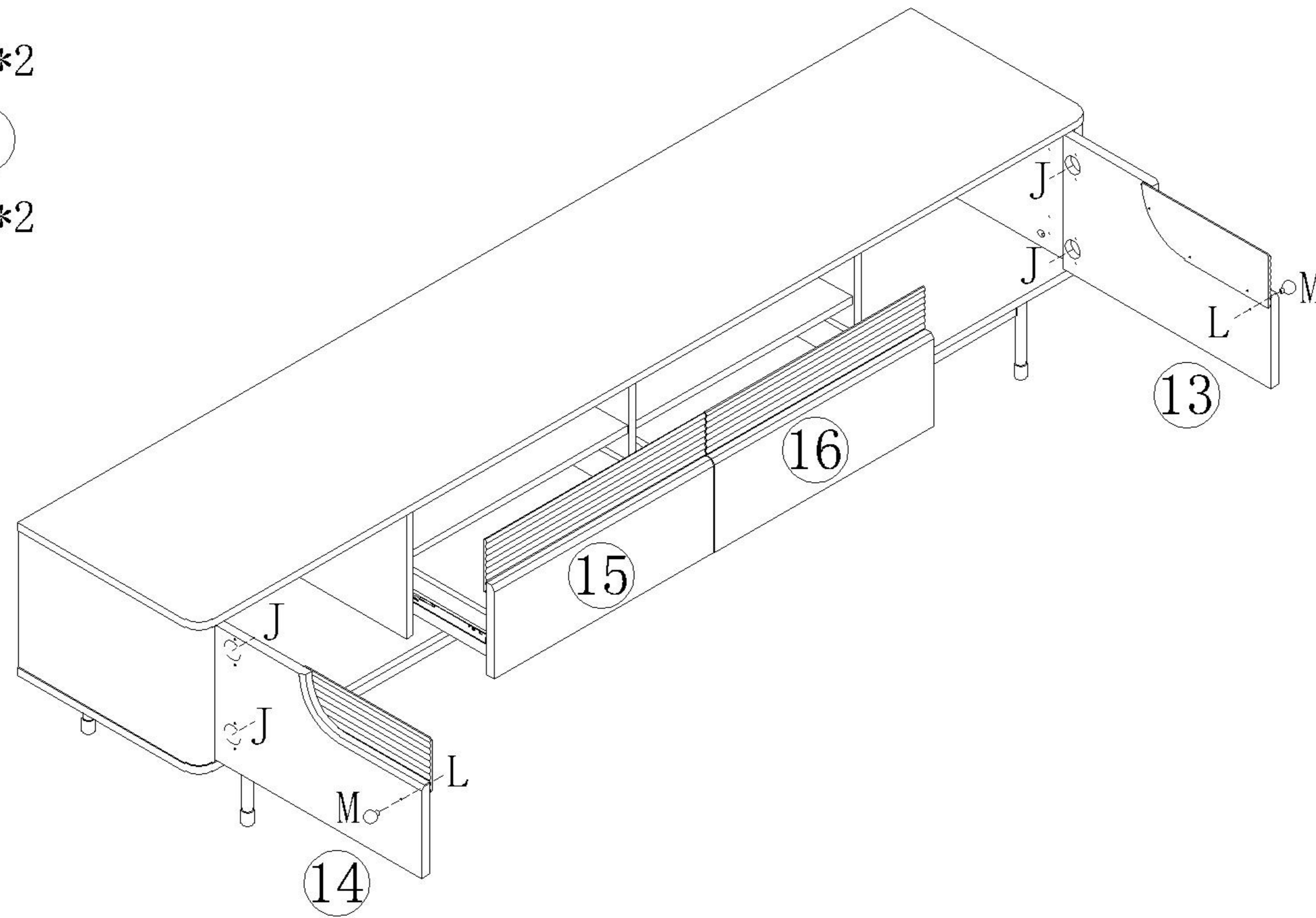
(J)\*4



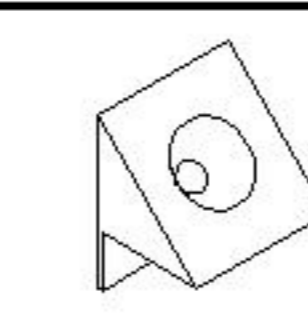
(L)\*2



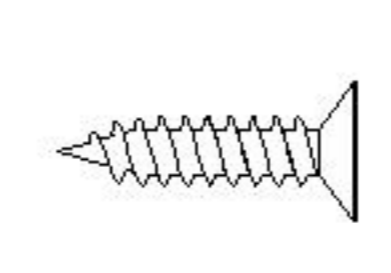
(M)\*2



13

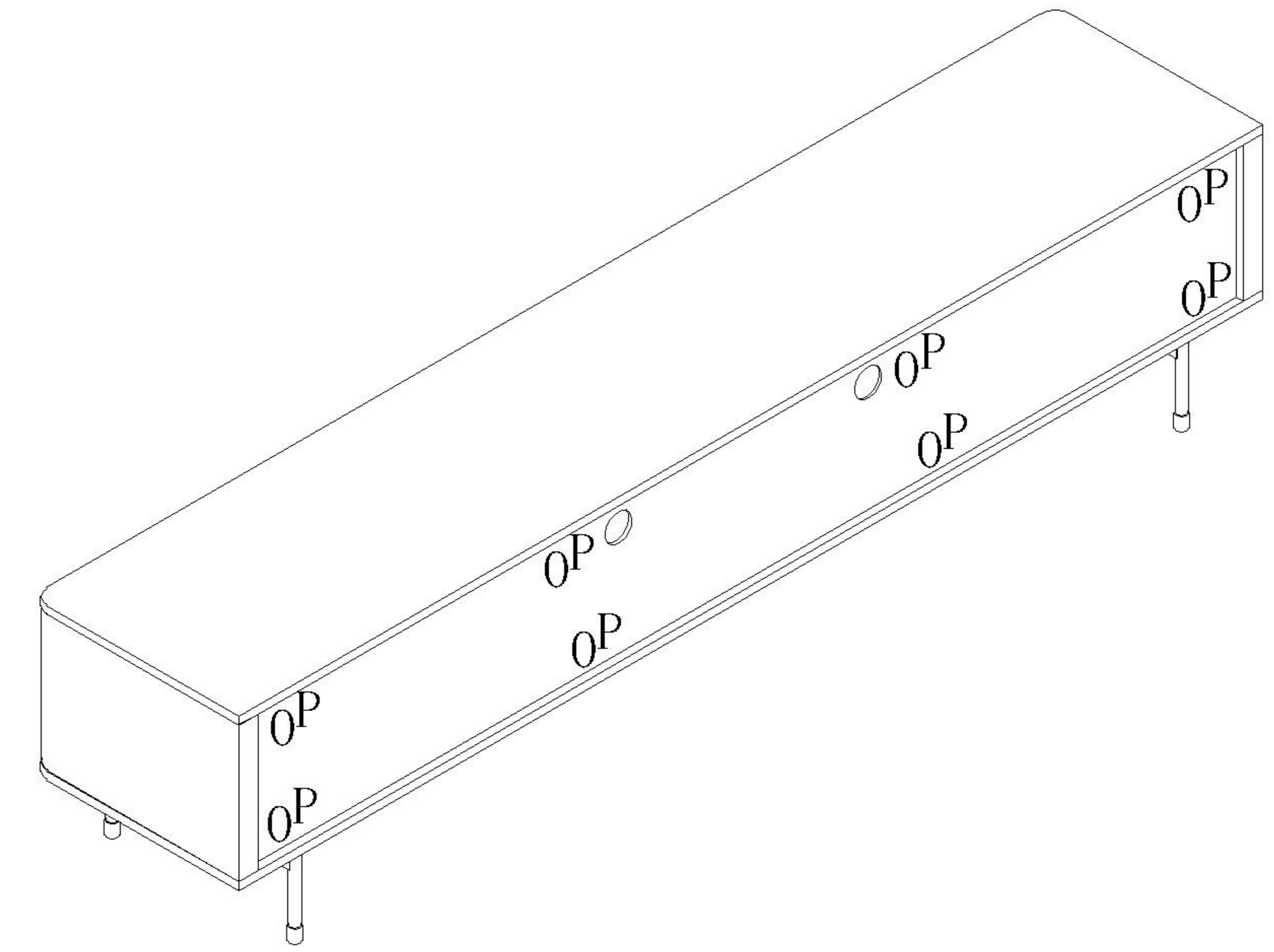


(O)\*8



(P)\*8

14



15

