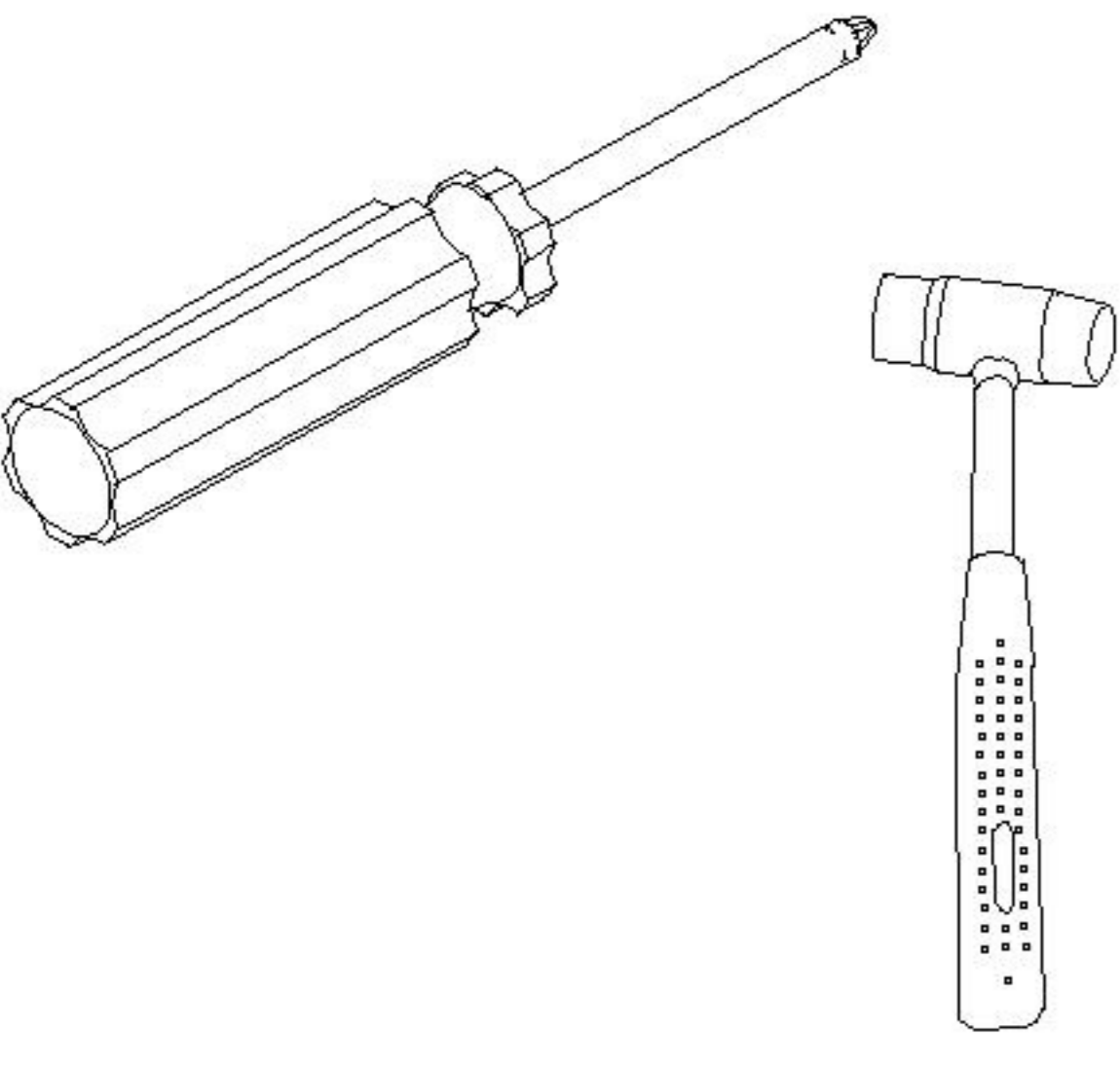
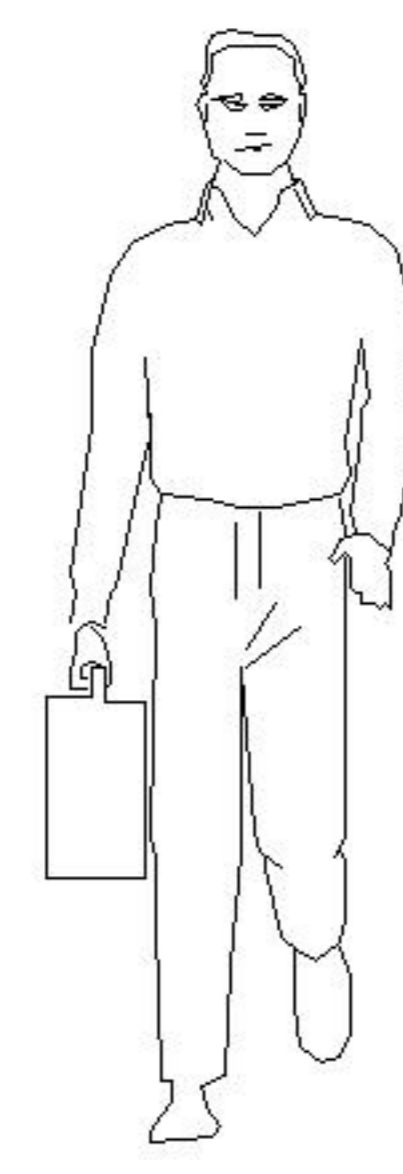
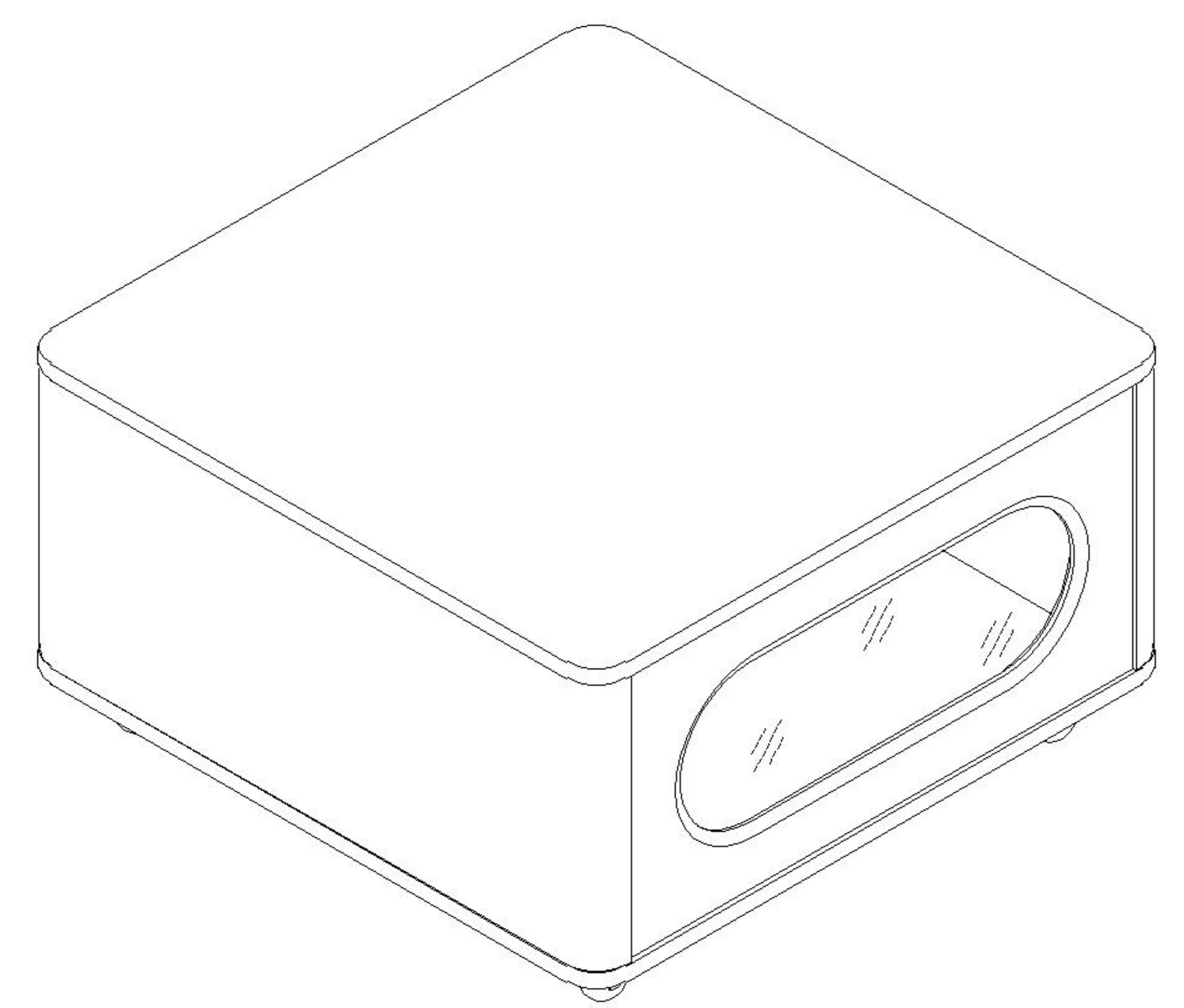
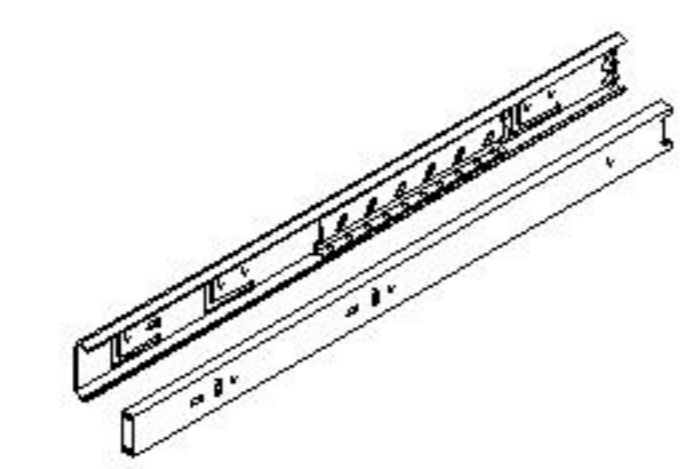
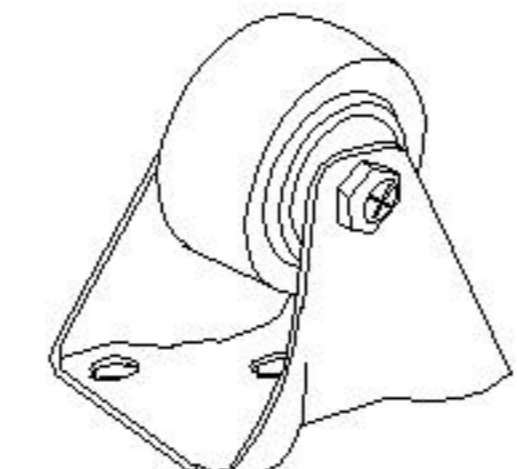
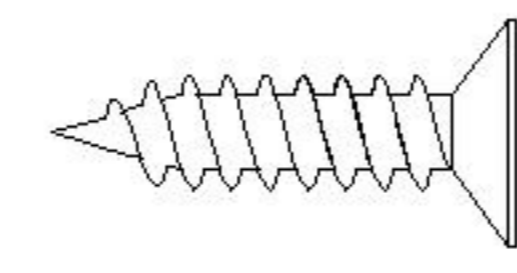
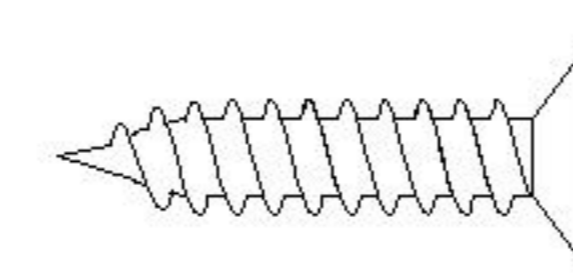
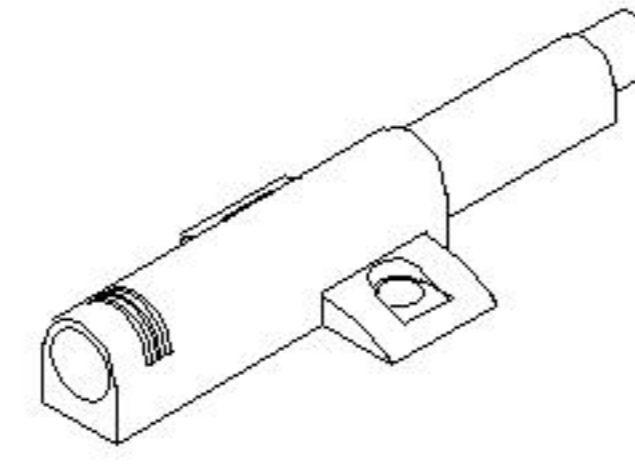
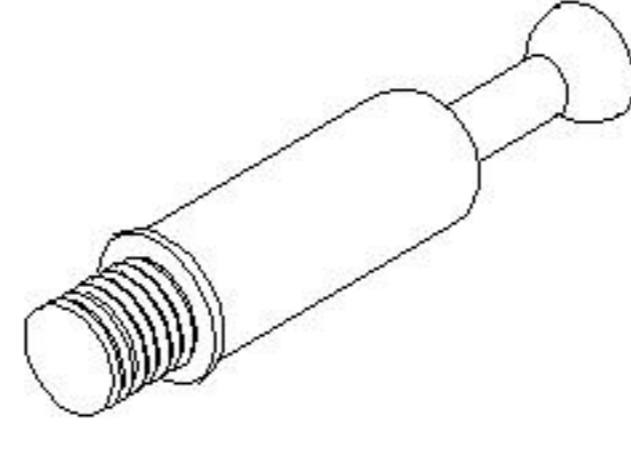
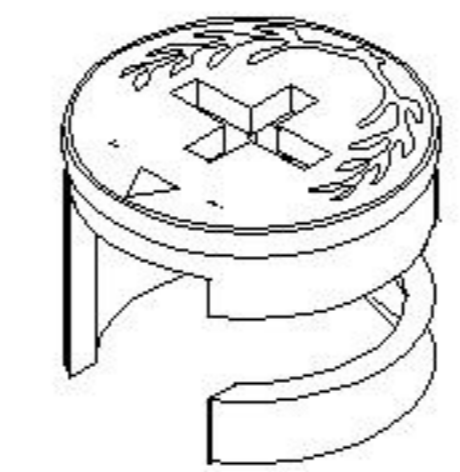
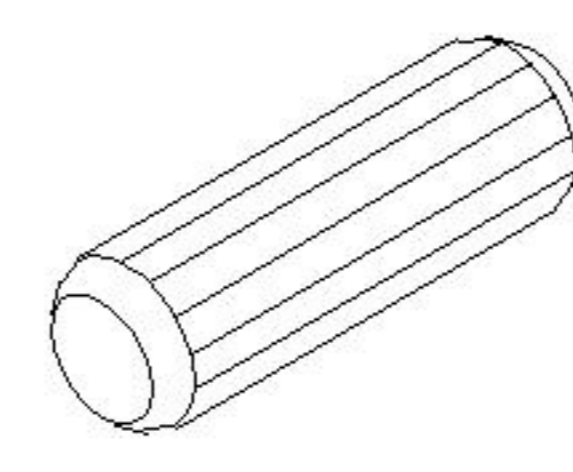
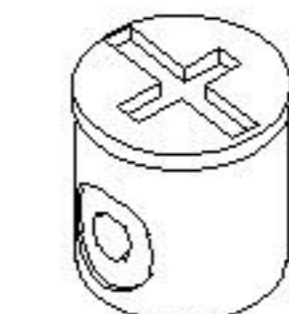
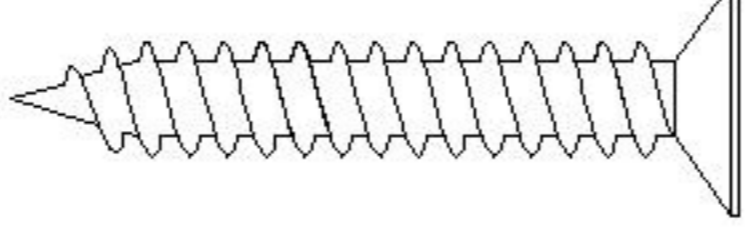
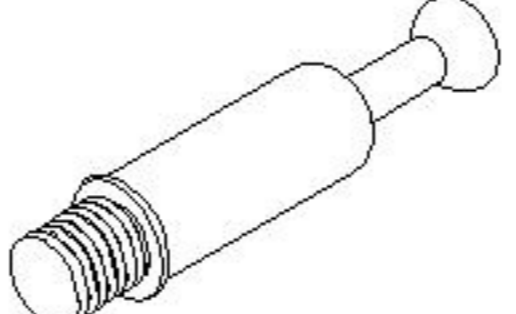
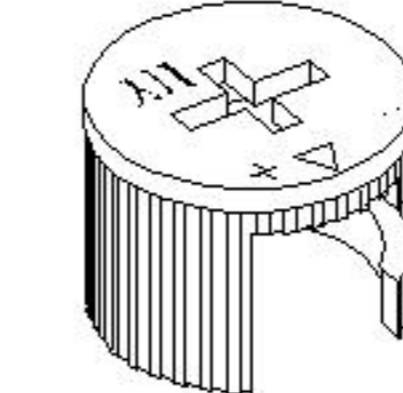


### 安装示意图/Assembly Instruction

产品名称 Model NO.	TU1L-A (矮茶几)
产品规格 Specification	598*598*347mm
安装工具 Tool	安装人数 Installer
	



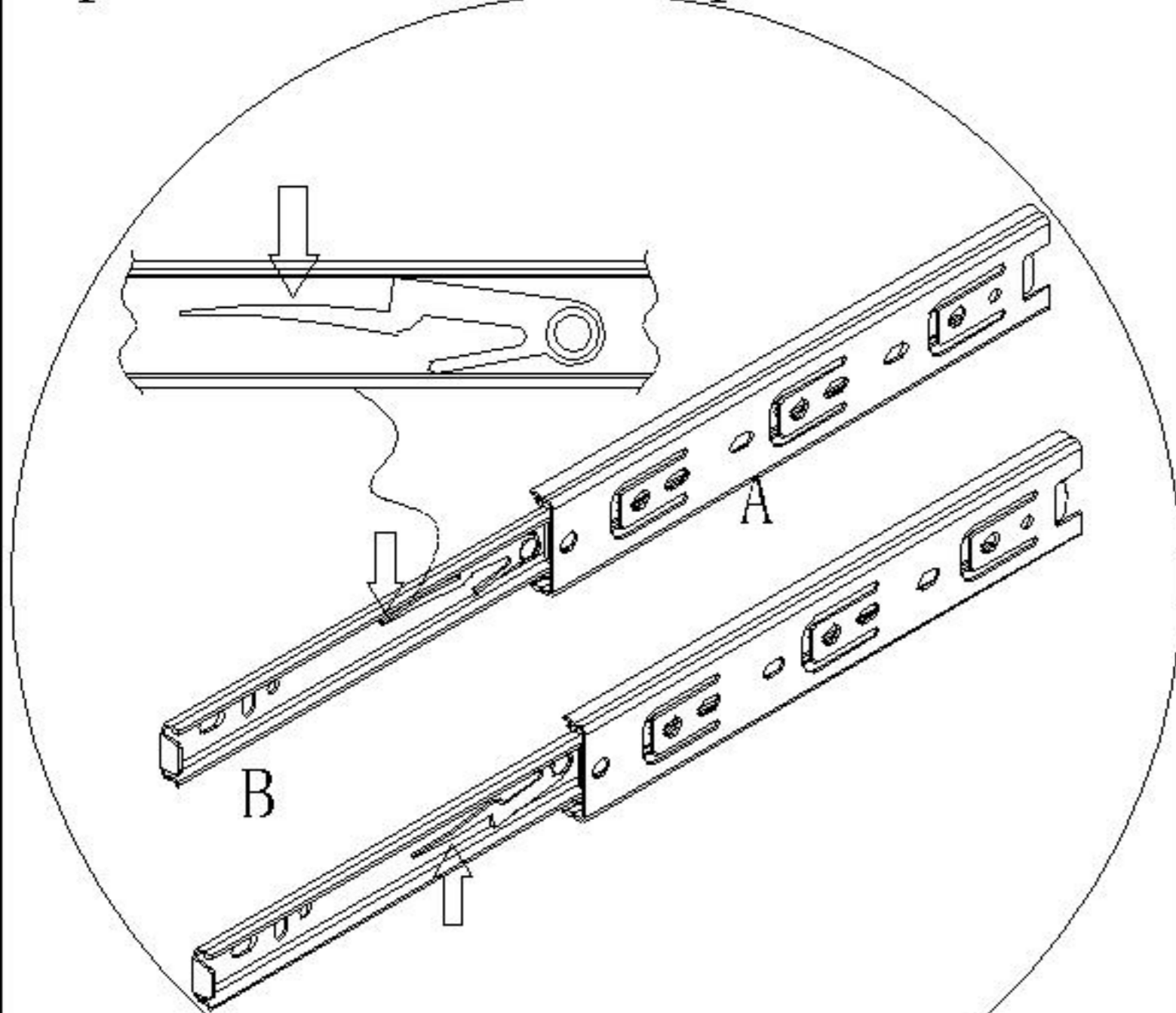
 (A)* 2 三节滚珠导轨-10" three-section ball rail	 (B)* 4 定向脚轮 directional wheel	 (C)* 42 自攻螺丝M3.5x12mm Self-tapping screw	 (D)* 4 自攻螺丝M3.5x16mm Self-tapping screw
 (E)* 2 反弹器 Rebounder	 (F)* 17 二合一螺杆 2-in-1-screw	 (G)* 17 大三合一锁饼 Three-in-one large lock	 (H)* 13 木榫Ø8x30mm wood tenon
 (I)* 8 塑料螺母 Plastic Nut	 (J)* 8 自攻螺丝M4x40mm Self-tapping screw	 (K)* 8 小二合一杆 small two-in-one rod	 (L)* 8 小三合一锁饼 small three-in-one lock

编号NO.	名称Name	规格 (mm) Specification	数量 QTY	材质Material
①	面板 Top panel	598*598*15	1	人造板WBP
②	底板 Bottom board	598*598*15	1	人造板WBP
③	中隔板 Middle clapboard	524*258*15	1	人造板WBP
④	抽屉右侧板 Drawer's side board (R)	260*142*12	2	人造板WBP
⑤	抽屉左侧板 Drawer's side board (L)	260*142*12	2	人造板WBP
⑥	抽屉后板 Drawer's Back board	474*142*12	2	人造板WBP
⑦	抽屉底板 Drawer's Bottom board	484*256*5	2	人造板WBP
⑧	侧板 Side board	596*258*36	2	人造板WBP
⑨	抽屉面板组立 Drawer panels assembly	520*254*18	2	人造板+钢化玻璃 WBP+glass

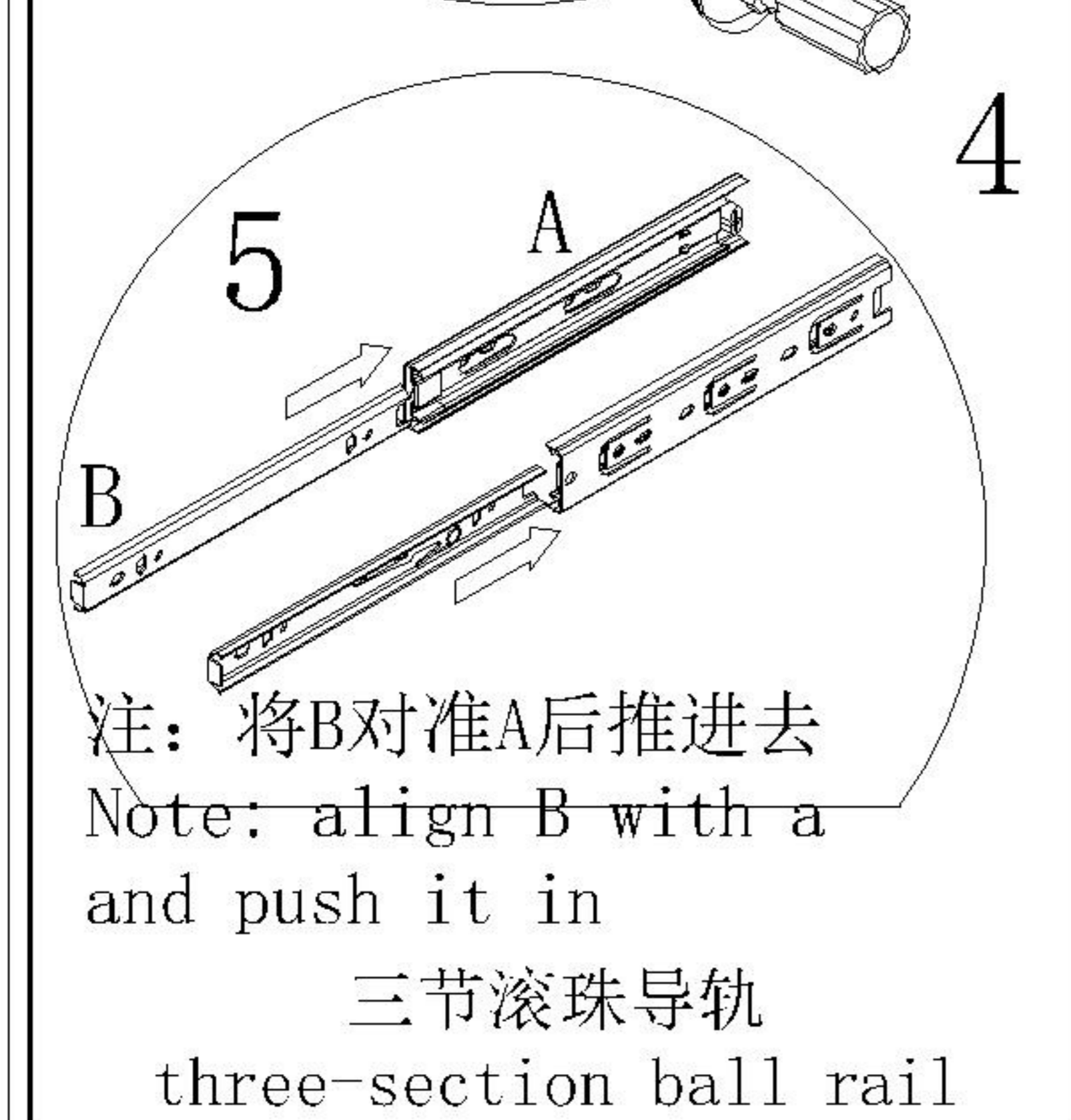
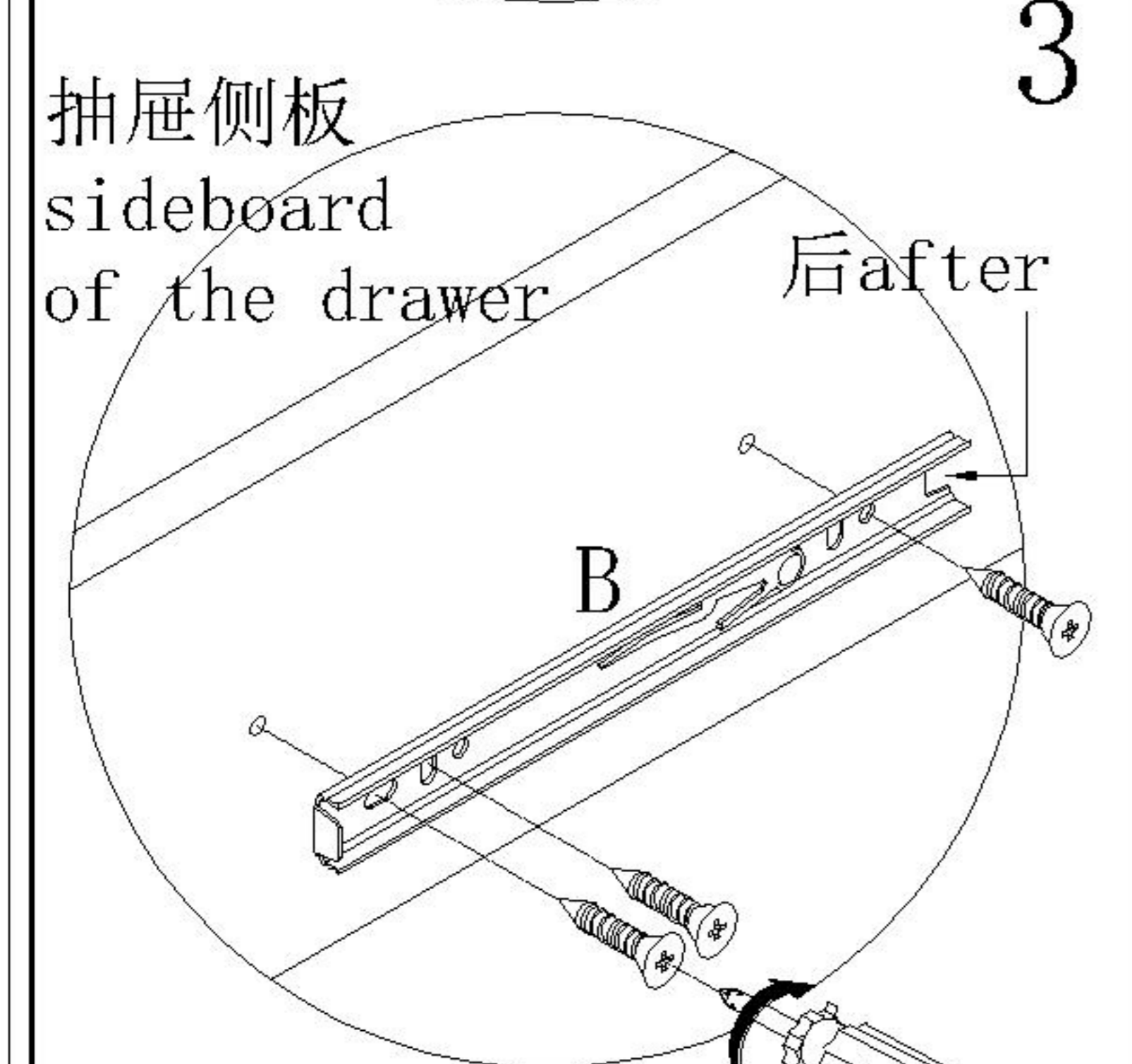
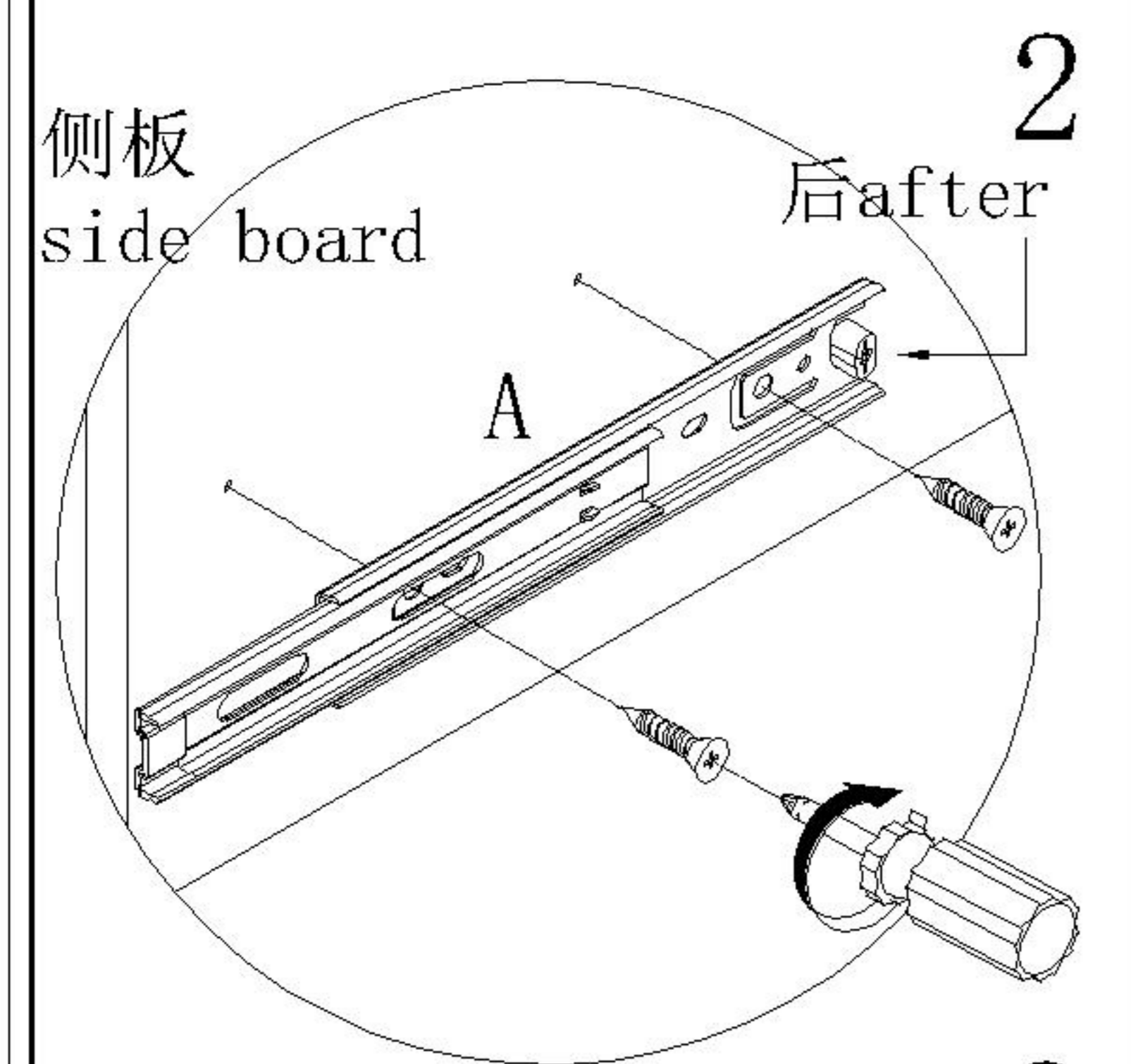
TU1L-A (矮茶几)

安装方法/  
Installation method

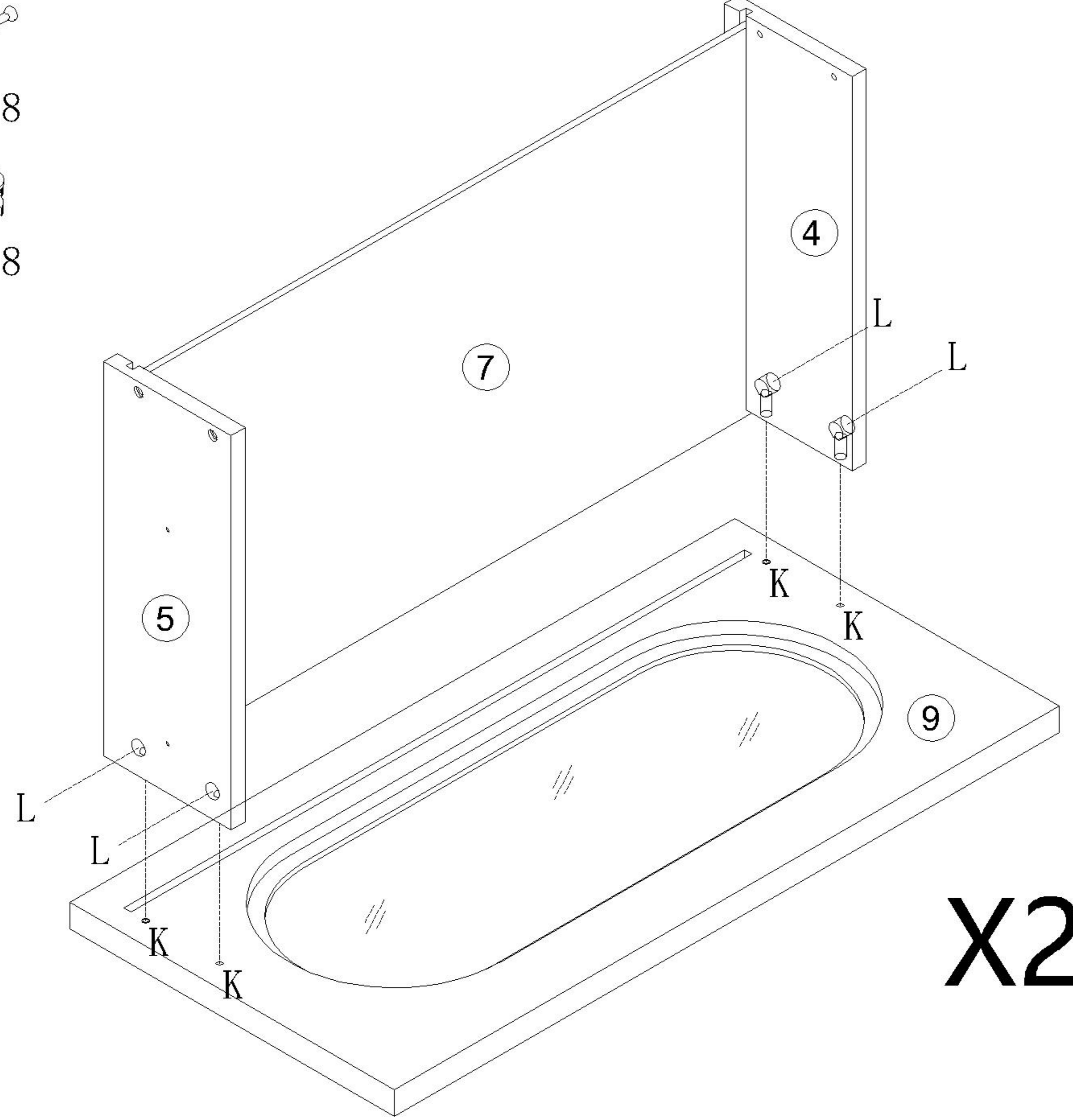
1 阀门开关(下压为开)  
Valve switch  
(press down to open)



注: 先将A与B拆下来  
Note: remove a and B first

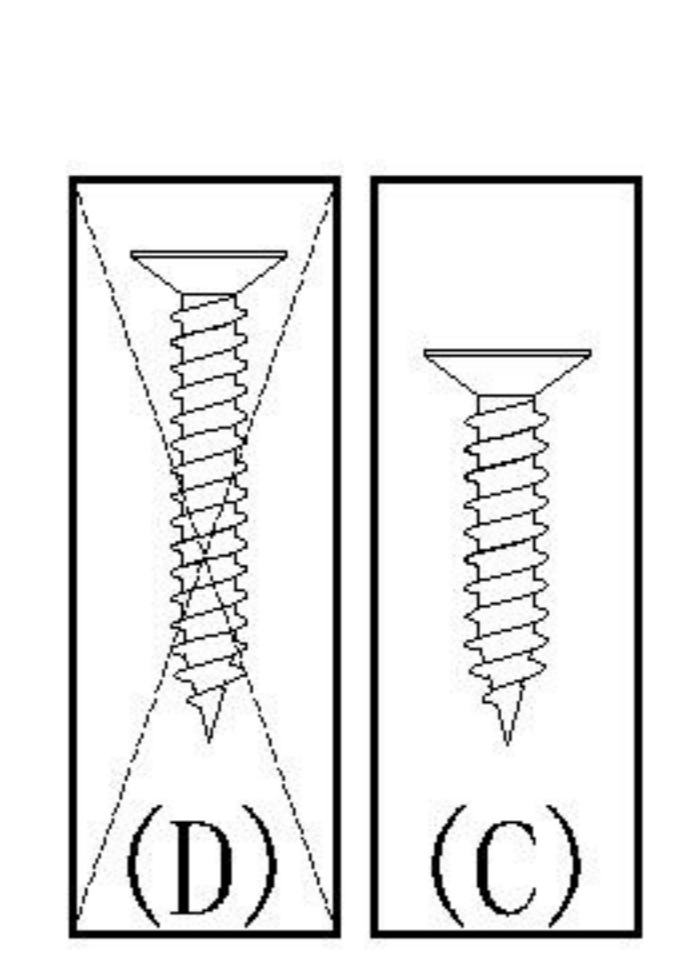


- (K)\*8
- (L)\*8

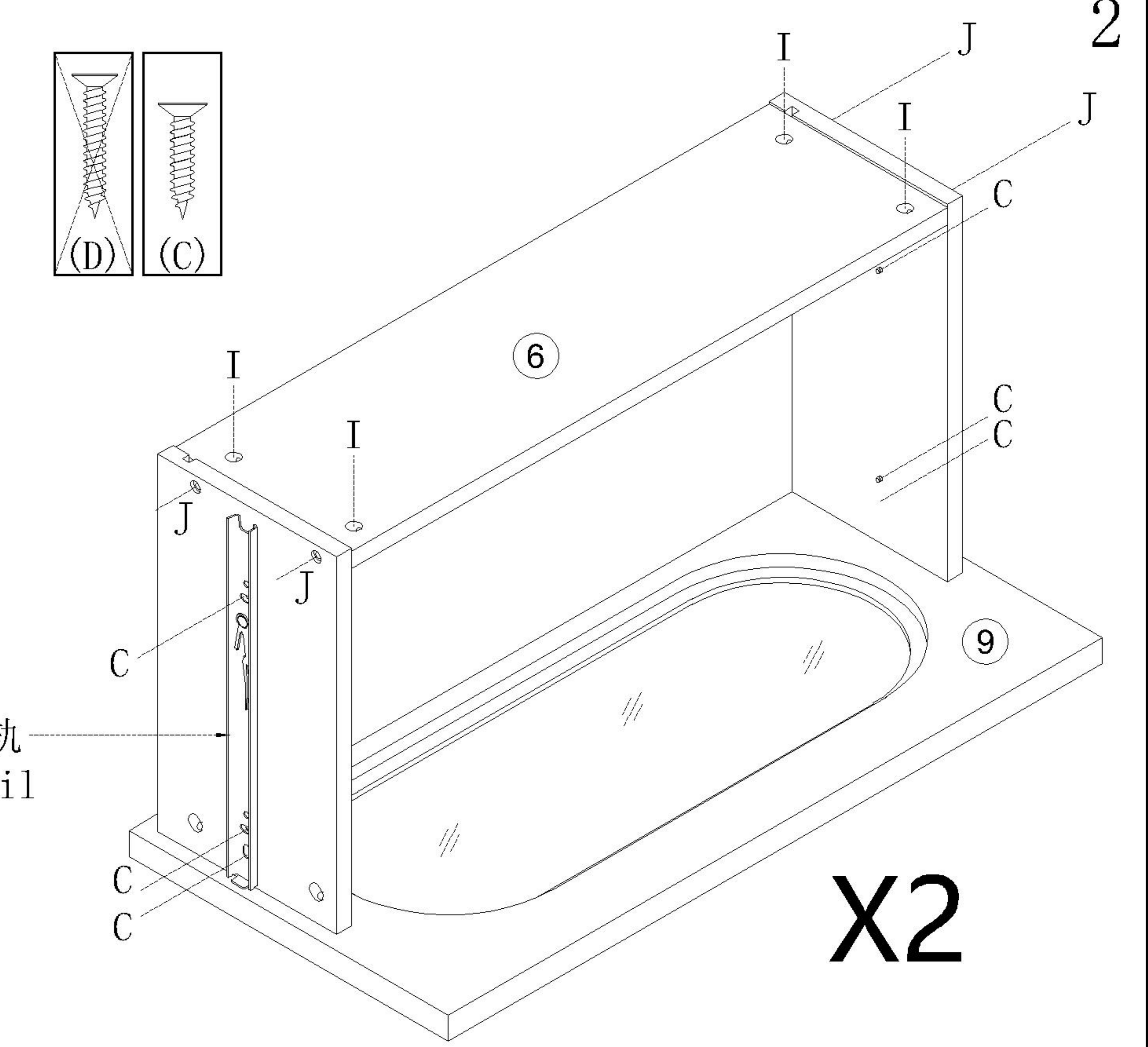


X2

- 1
- (A)\*2
  - (C)\*12
  - (I)\*8
  - (J)\*8

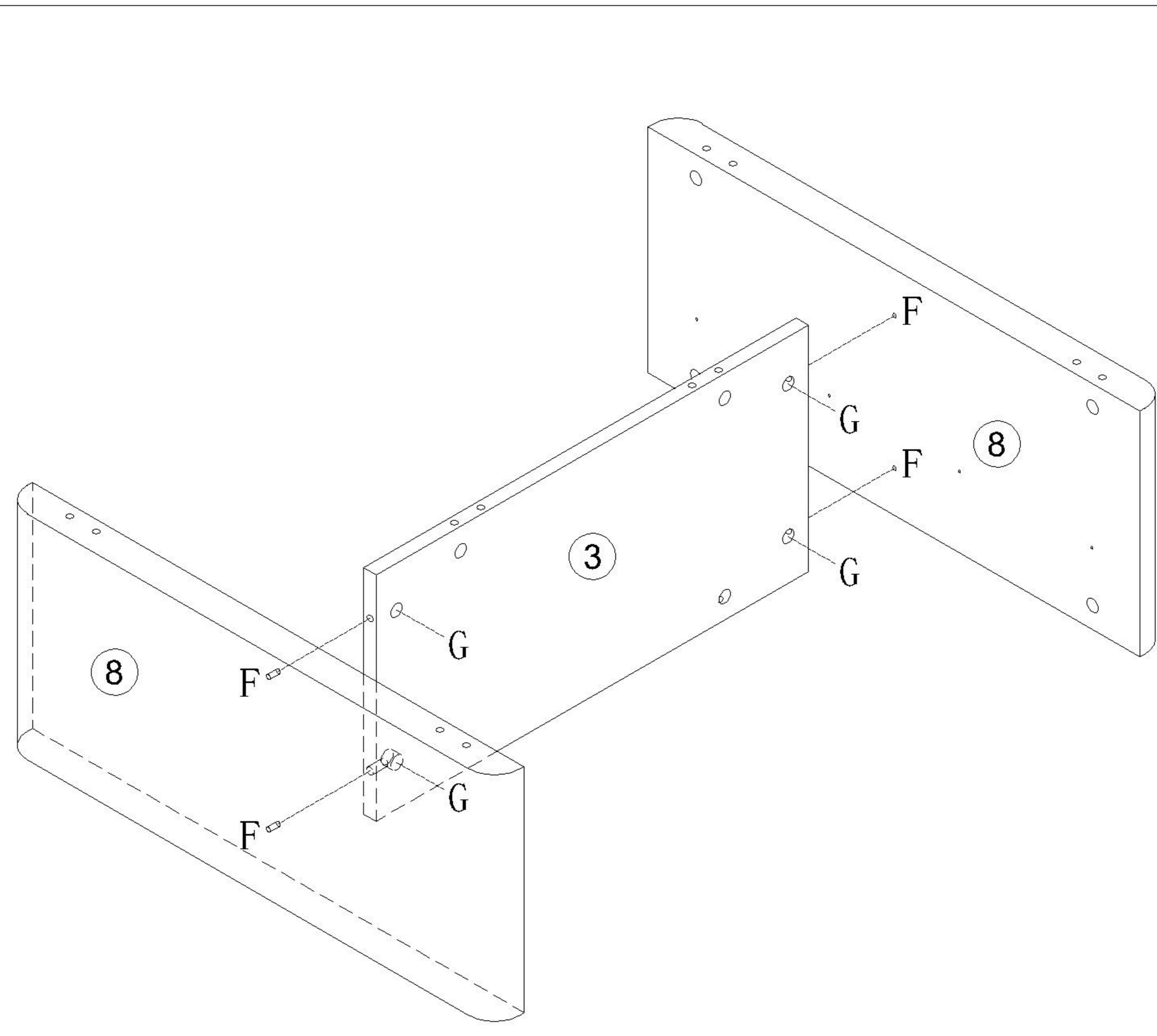


(A) 副轨  
Sub rail

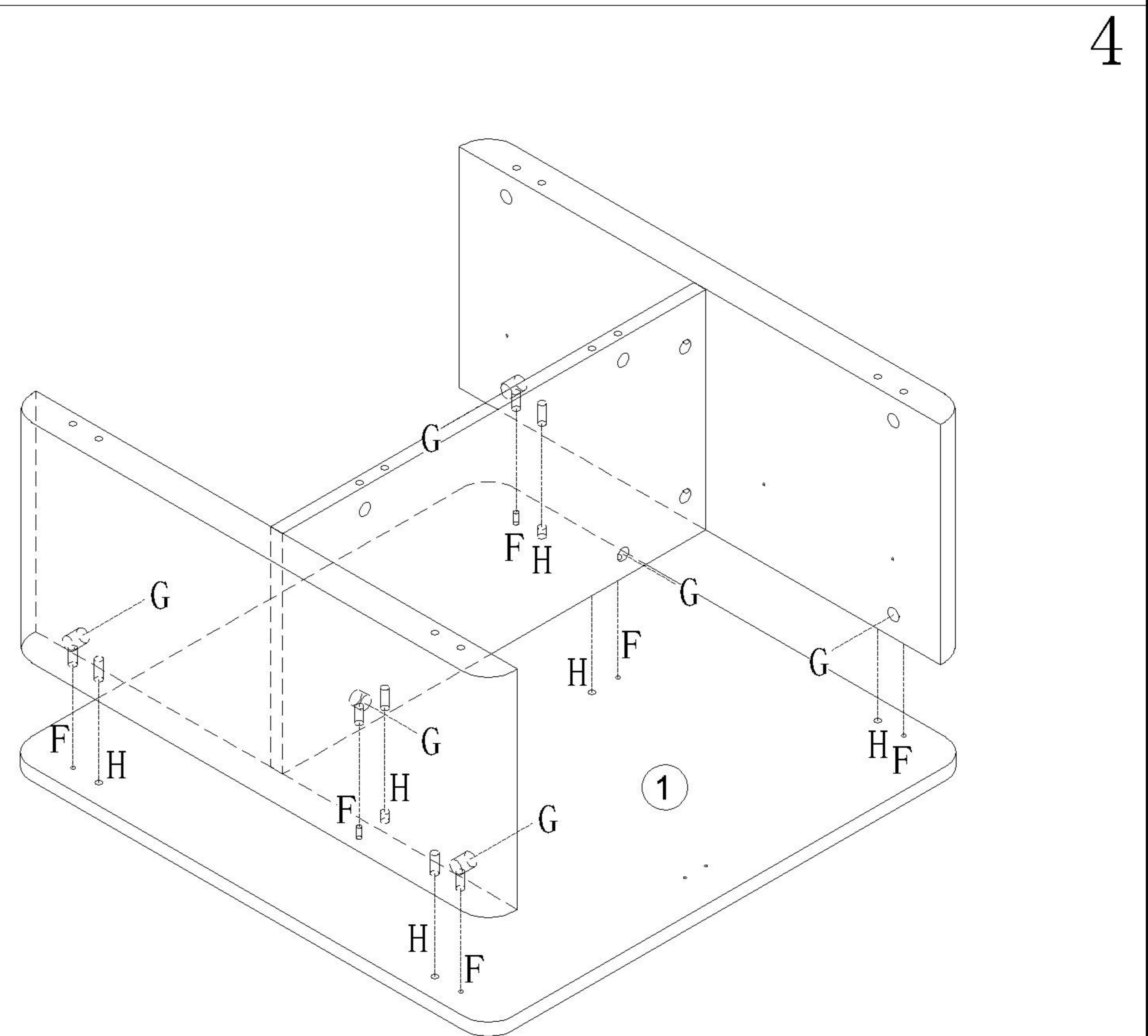


X2

- (F)\*4
- (G)\*4

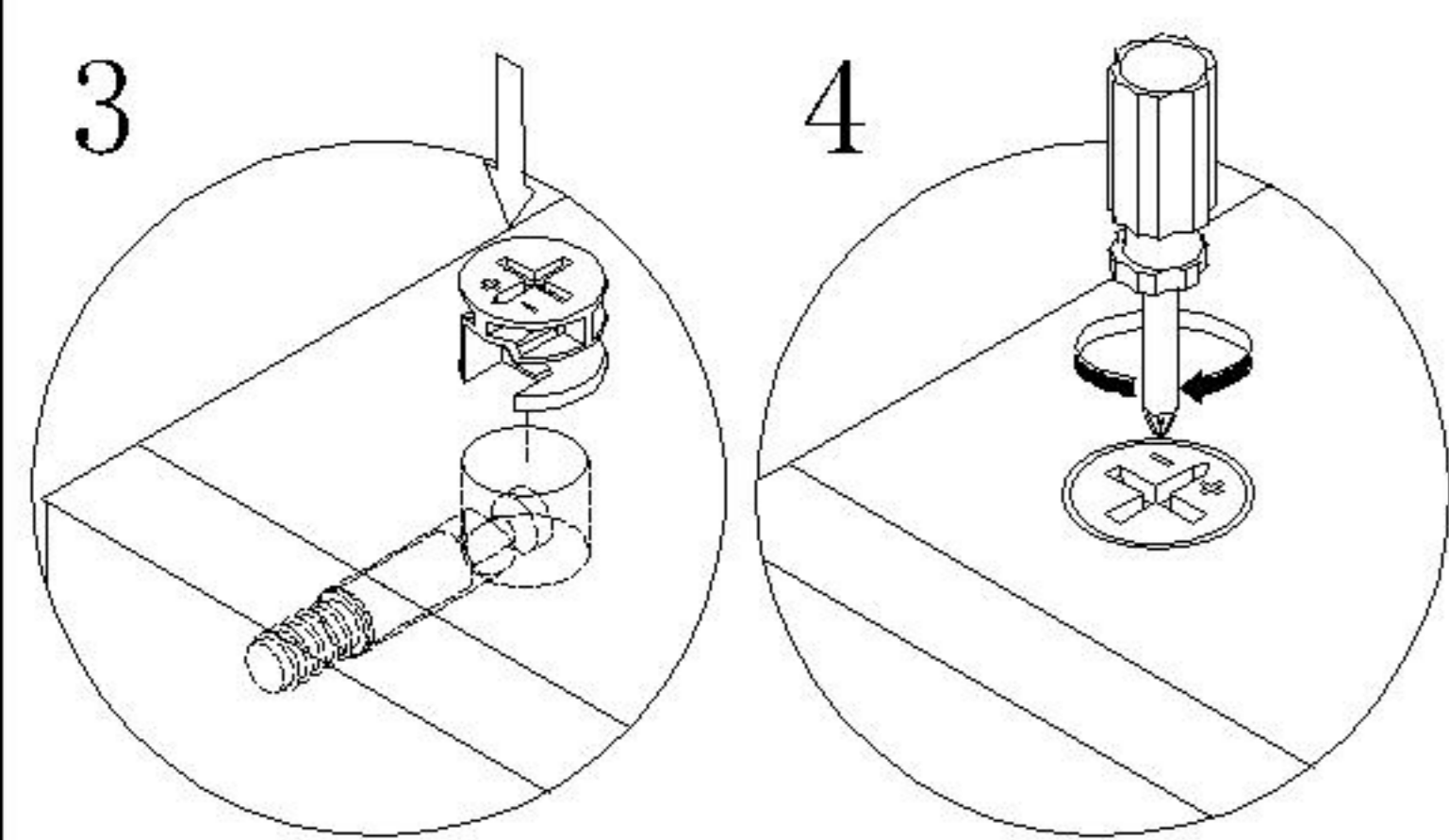
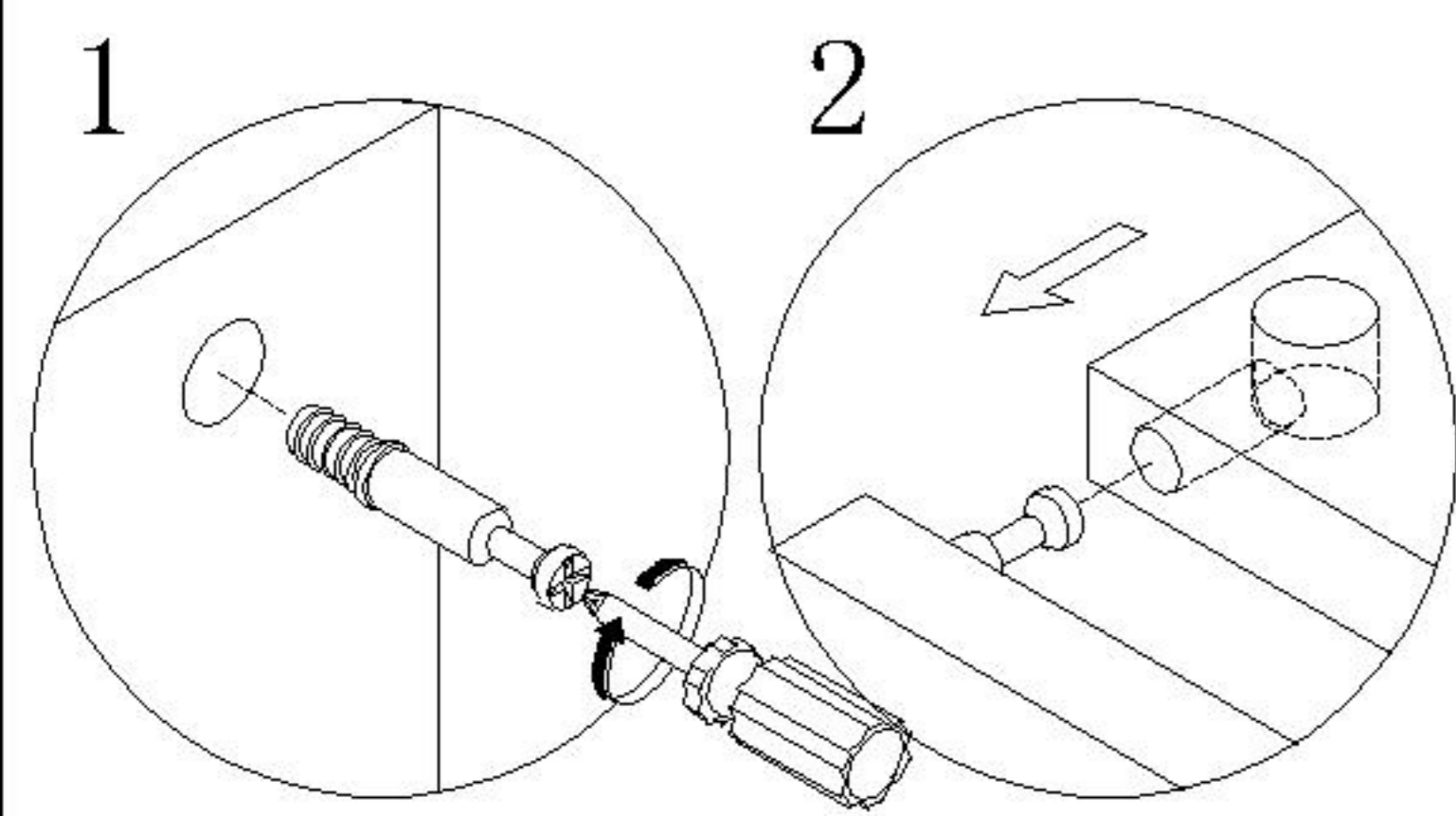


- 3
- (F)\*6
  - (G)\*6
  - (H)\*6

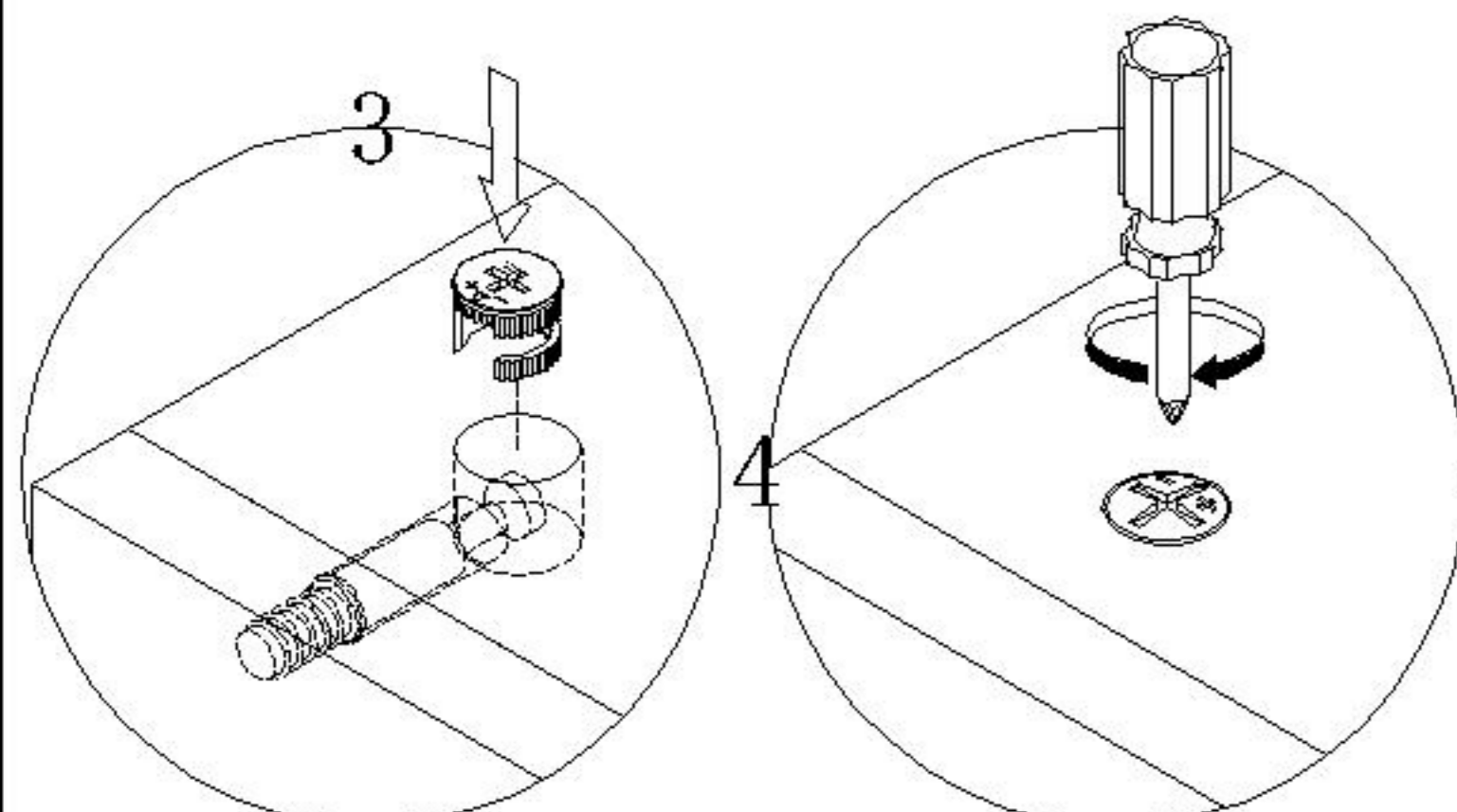
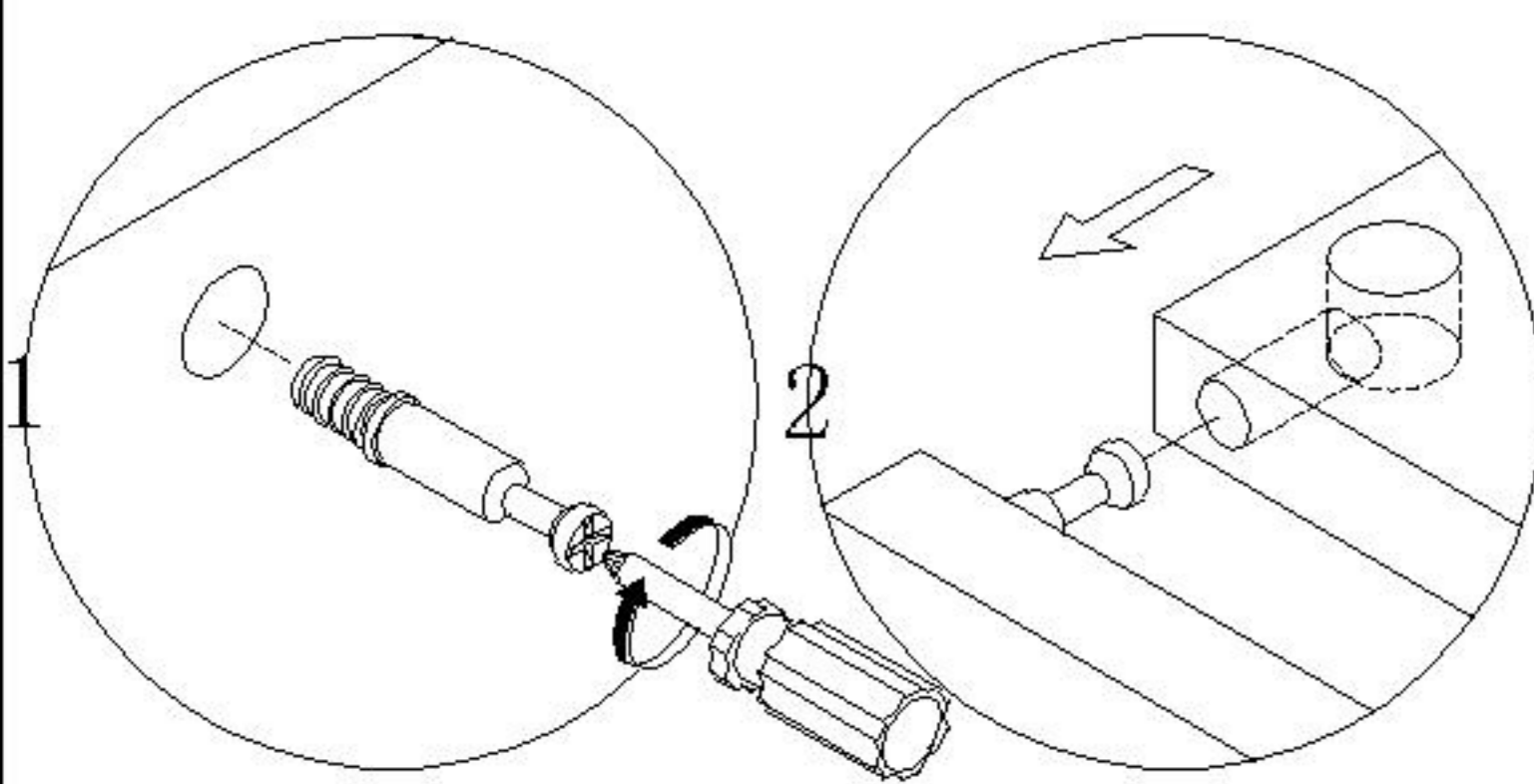


TU1L-A (矮茶几)

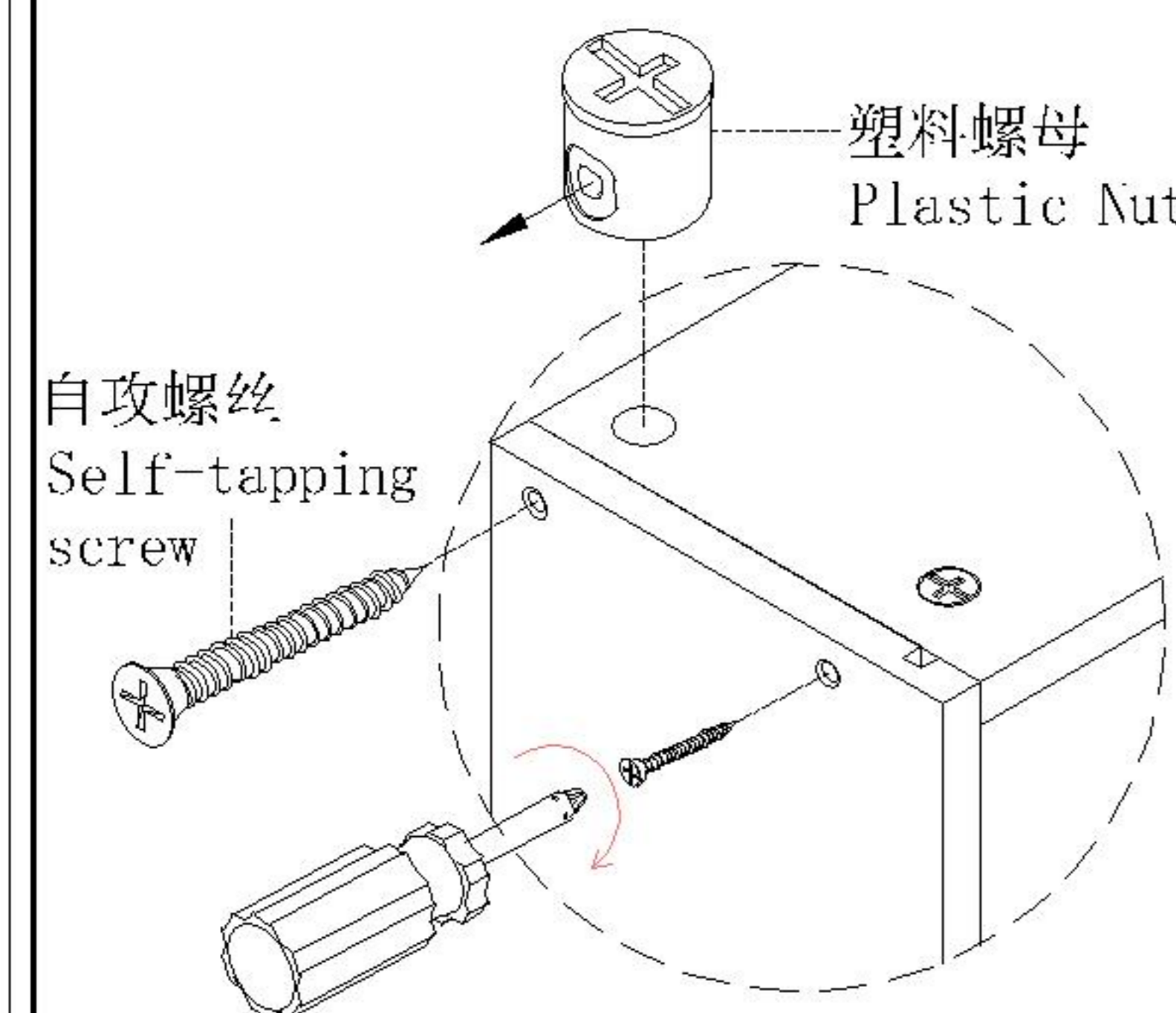
安装方法/  
Installation method



大二合一  
two-in-one



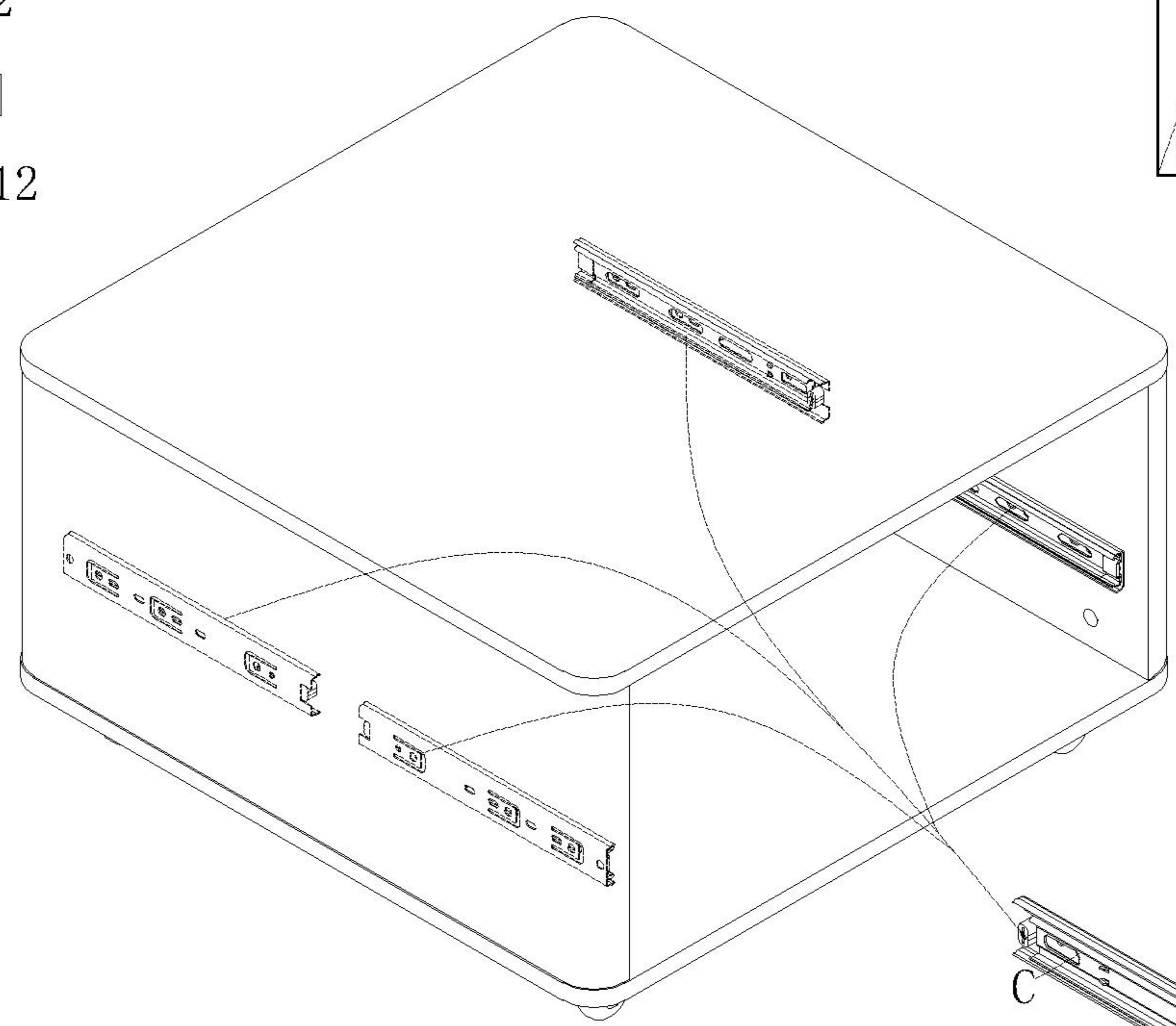
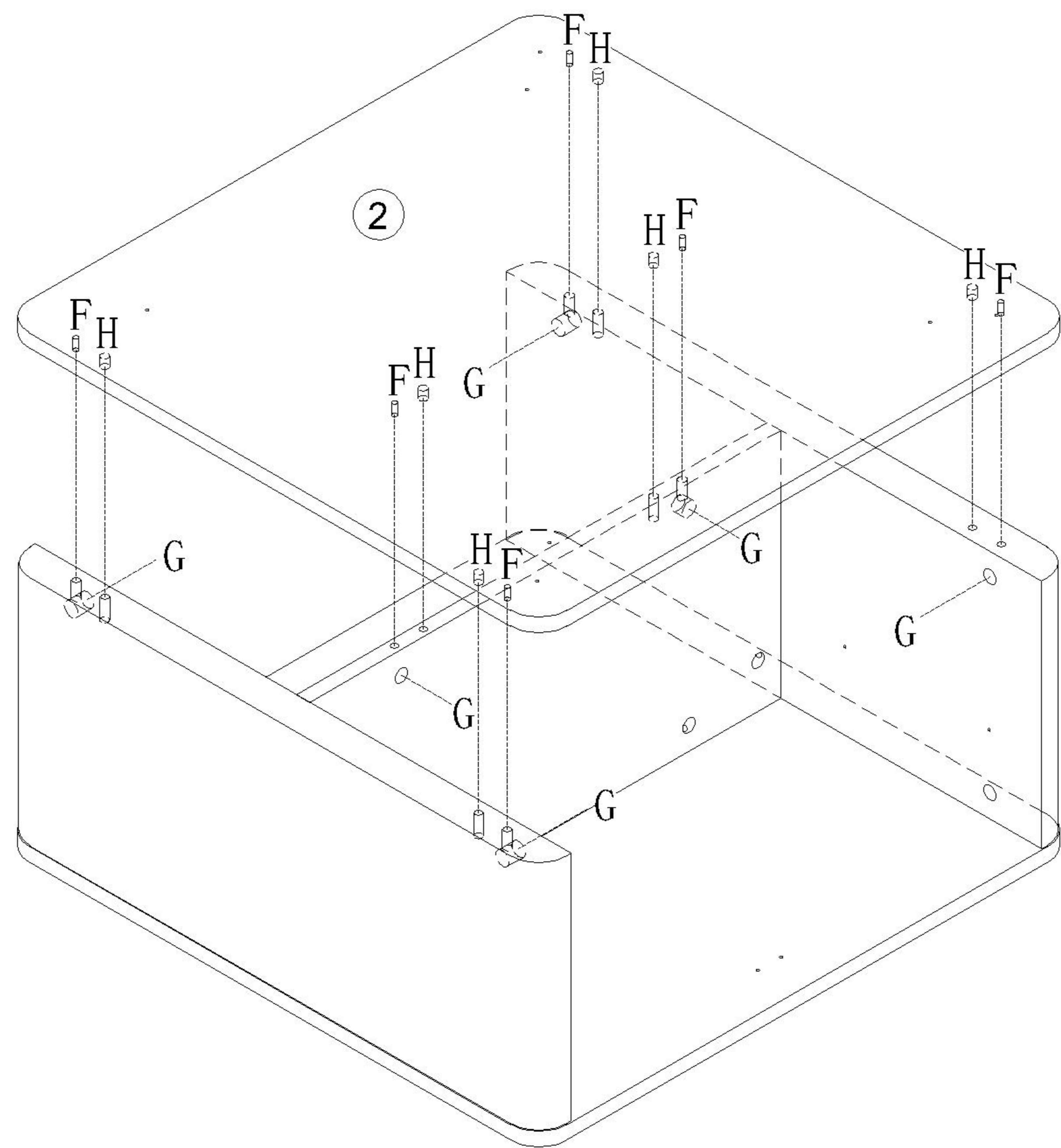
小二合一  
small two-in-one



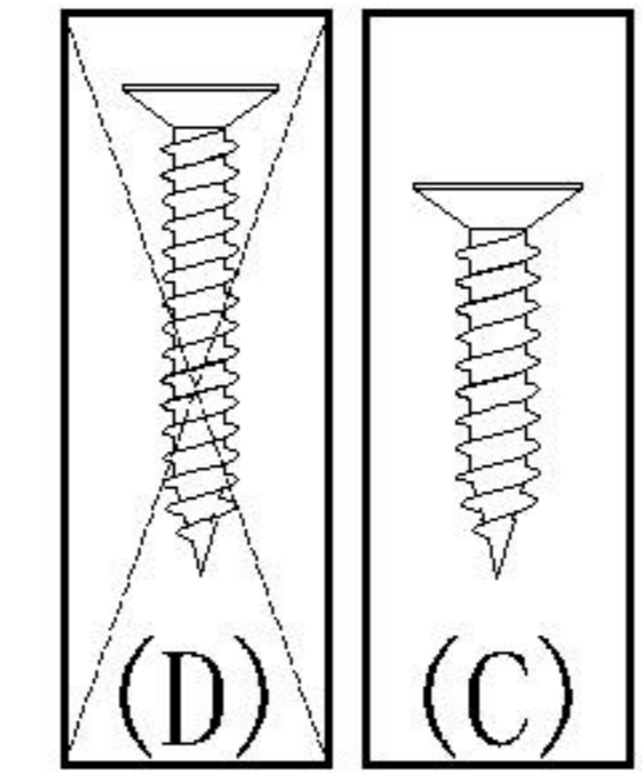
塑料螺母  
Plastic Nut

- (F)\*6
- (G)\*6
- (H)\*6

- (A)\*2
- (C)\*12



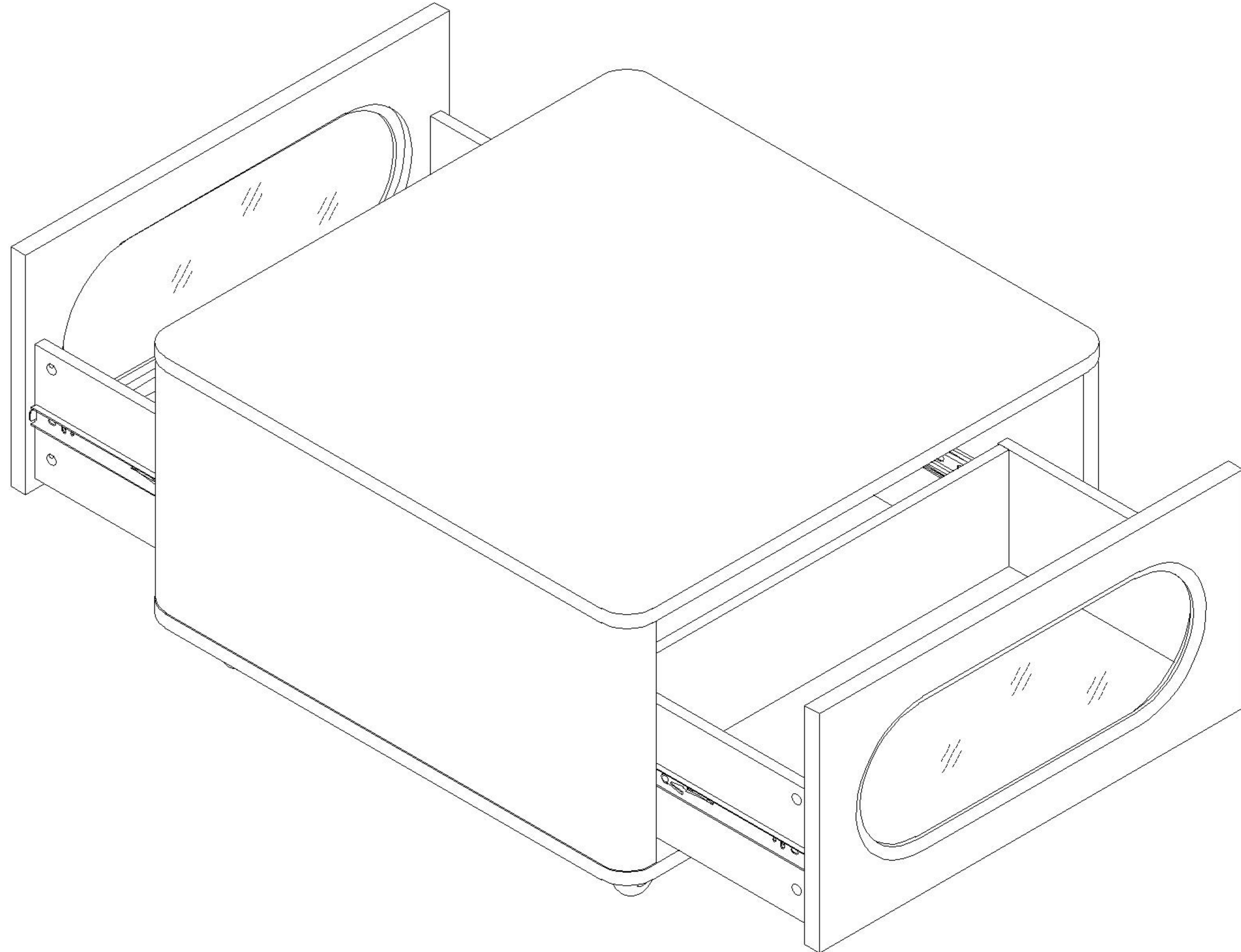
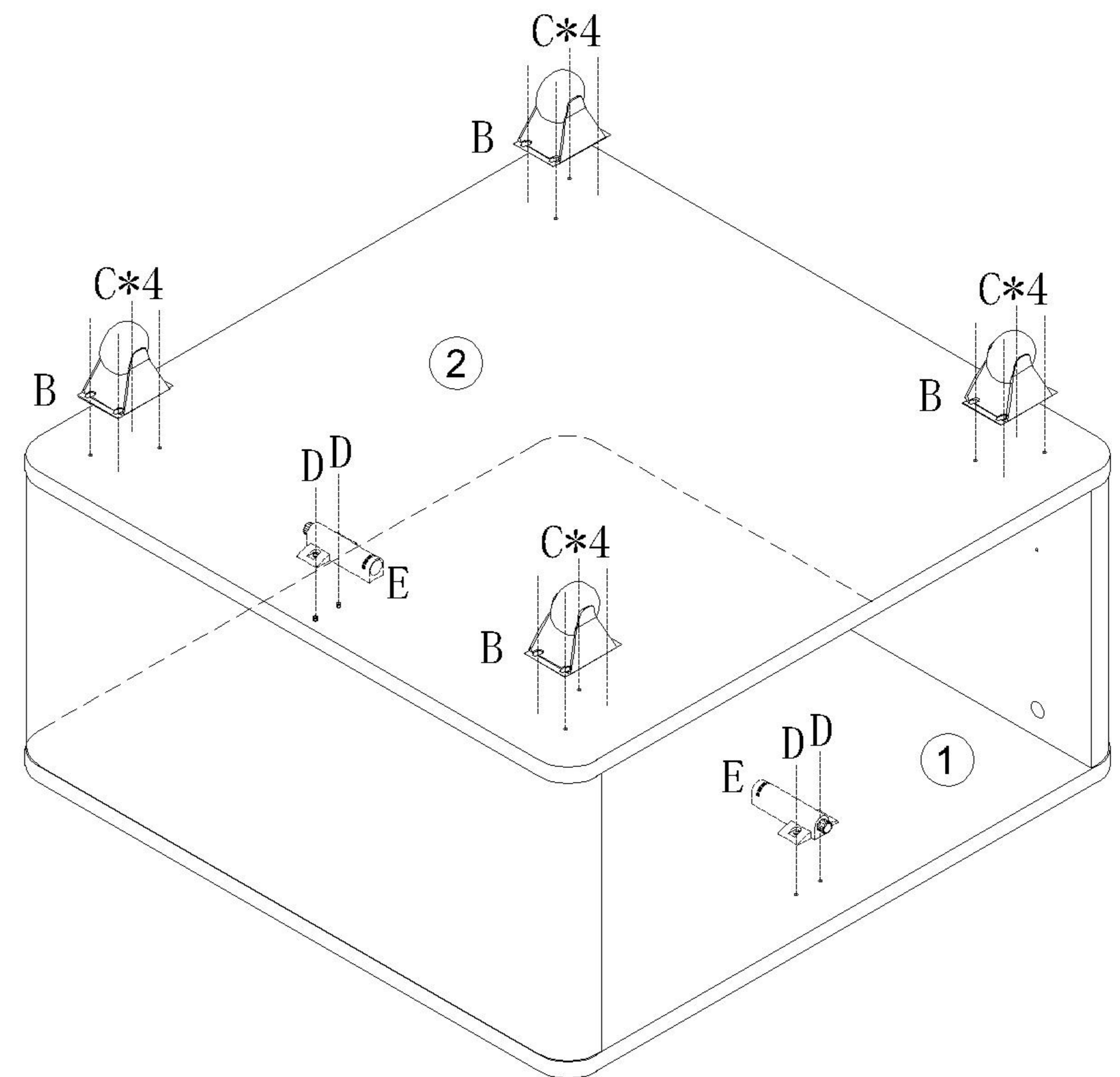
A 主轨  
Main rail



7

5

- (B)\*4
- (C)\*16
- (D)\*4
- (E)\*2



8

6