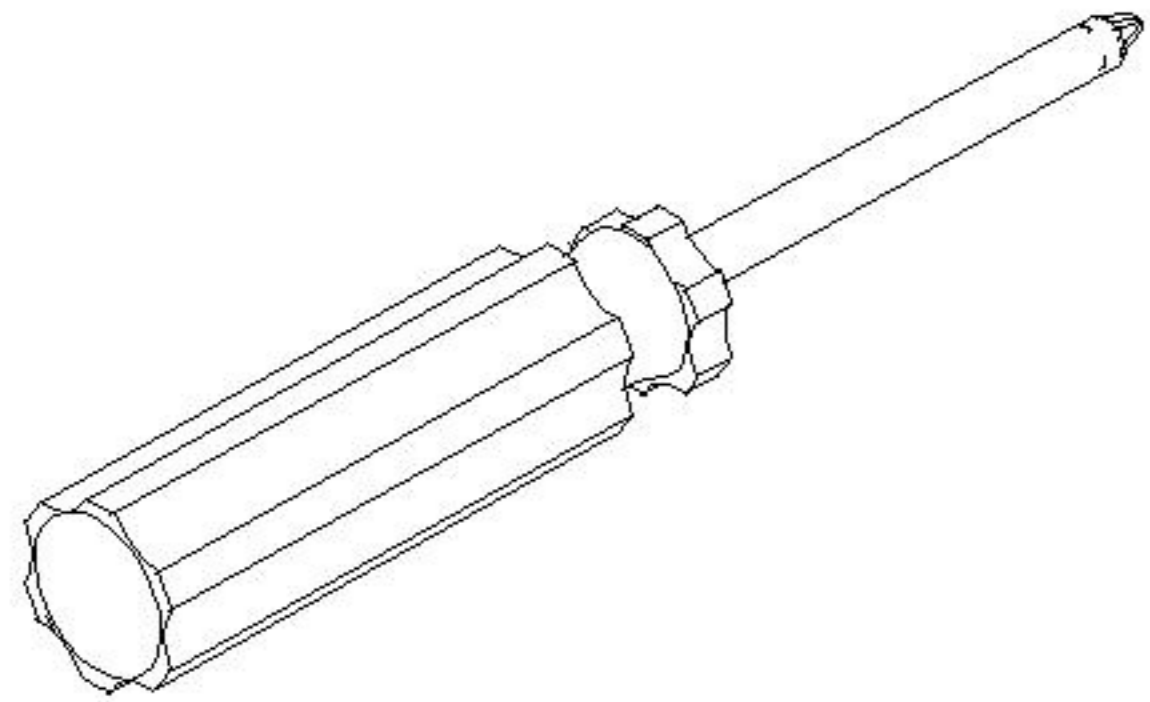
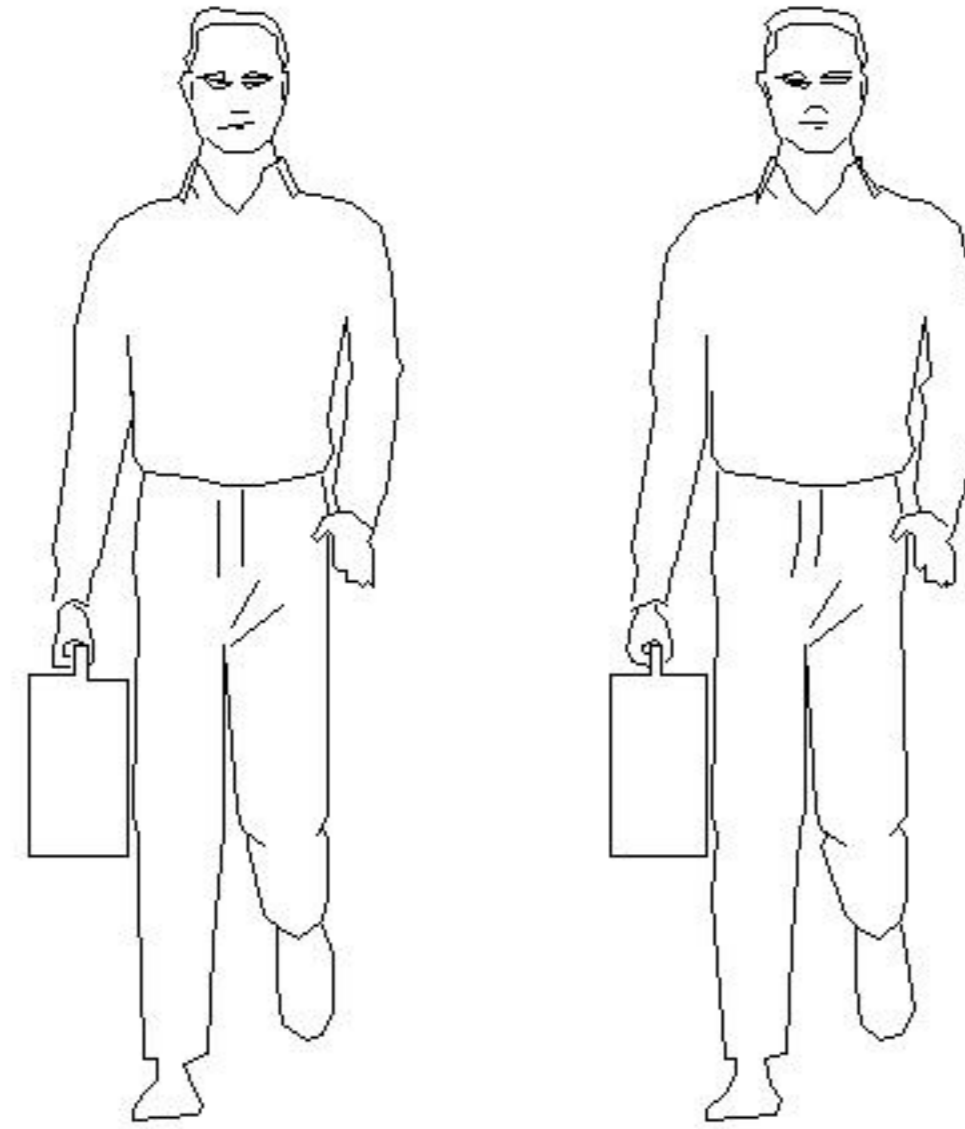
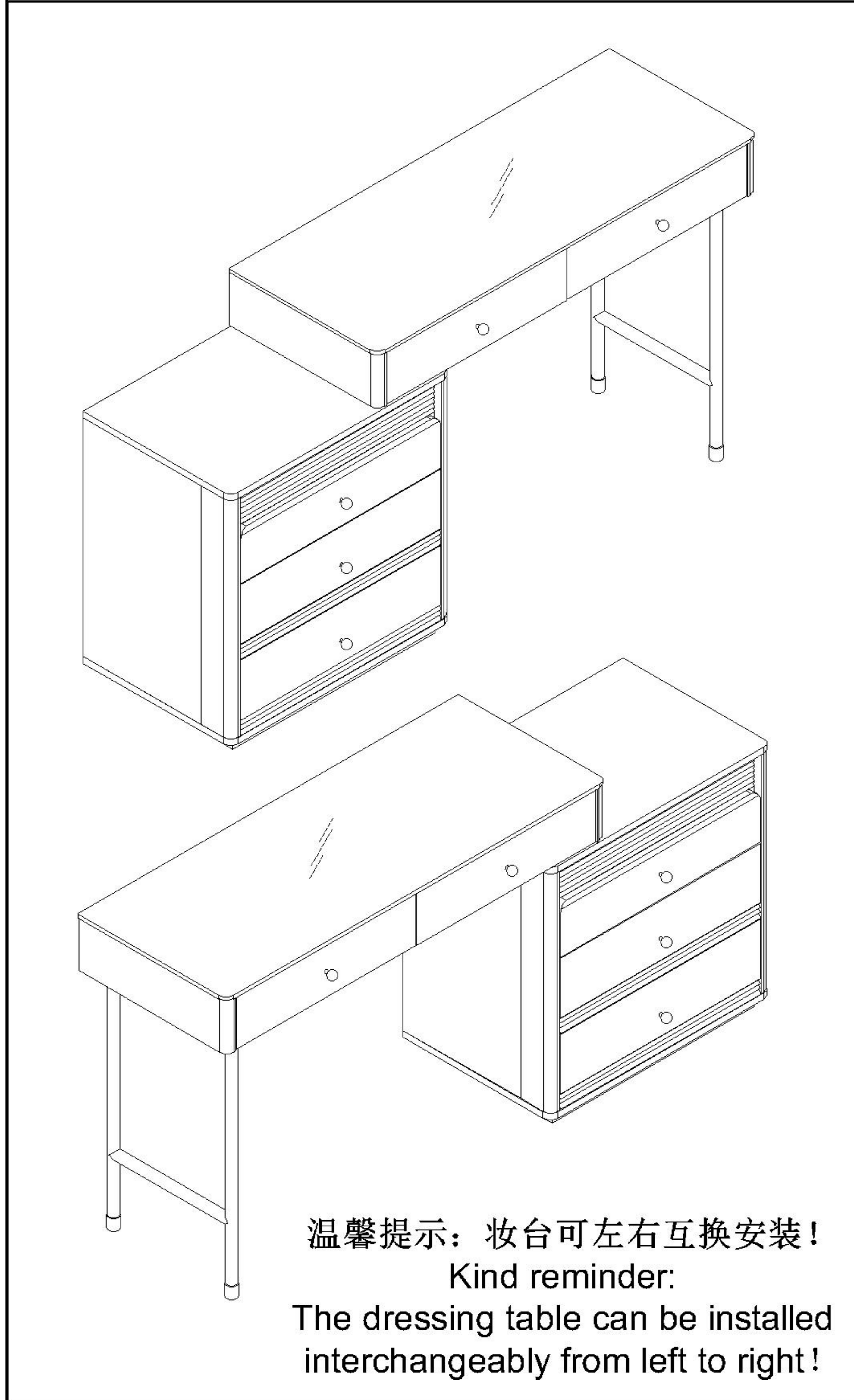


LINSY 林氏家居

五金表/Hardware list

安装示意图/Assembly Instruction

产品名称 Model NO.	TU2C-A
产品规格 Specification	1467~1191*425.5*752mm
安装工具 Tool	安装人数 Installer
	



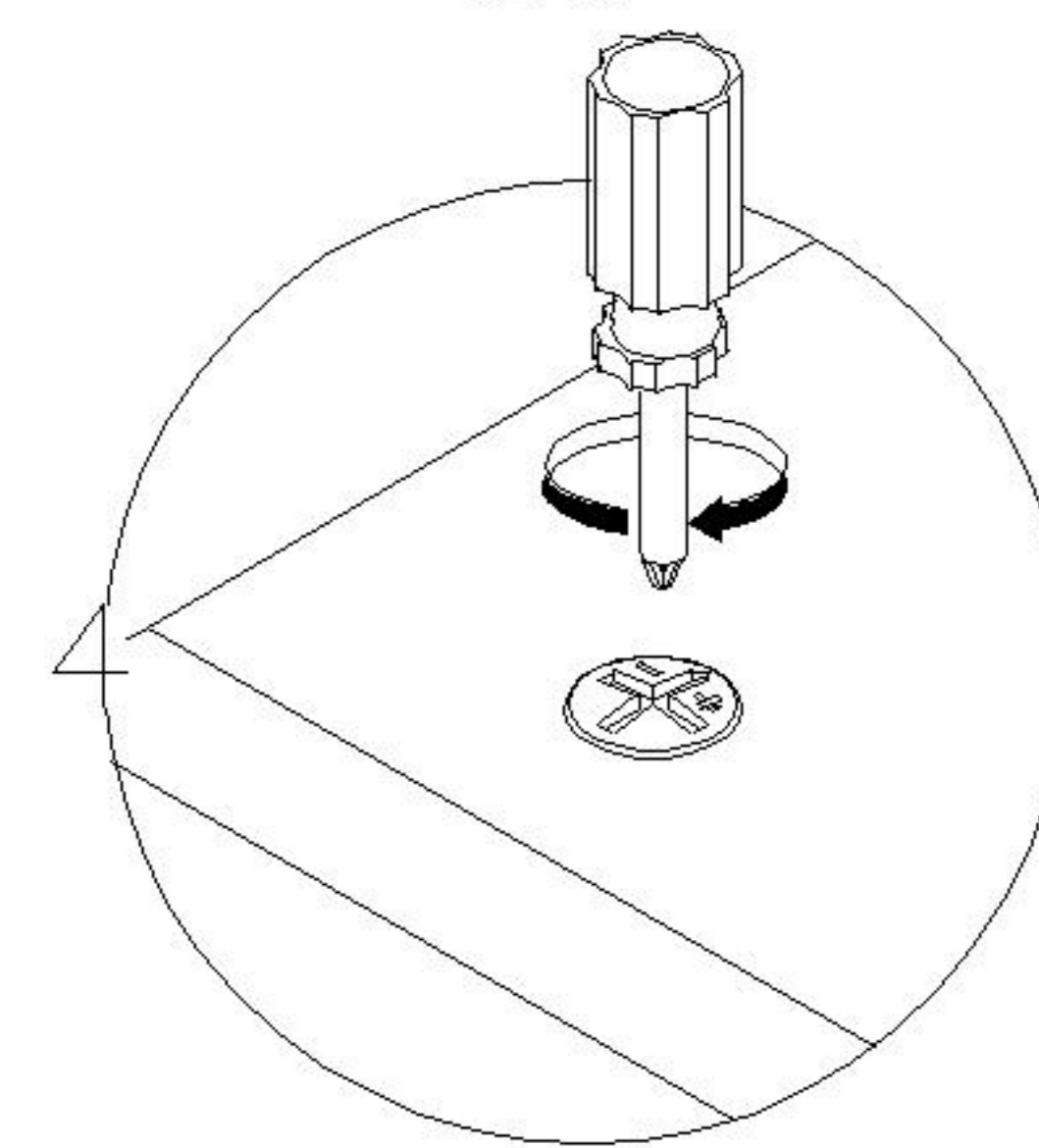
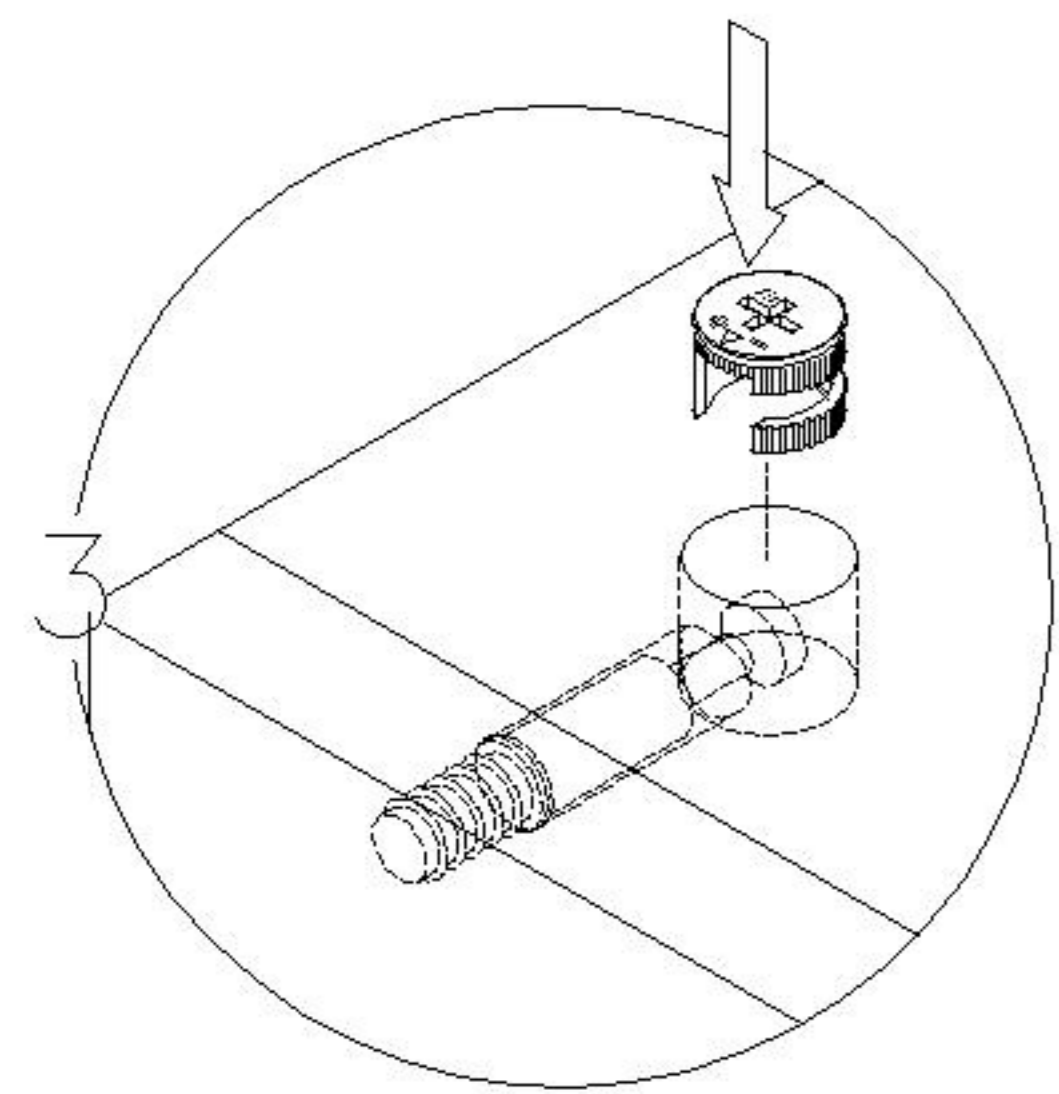
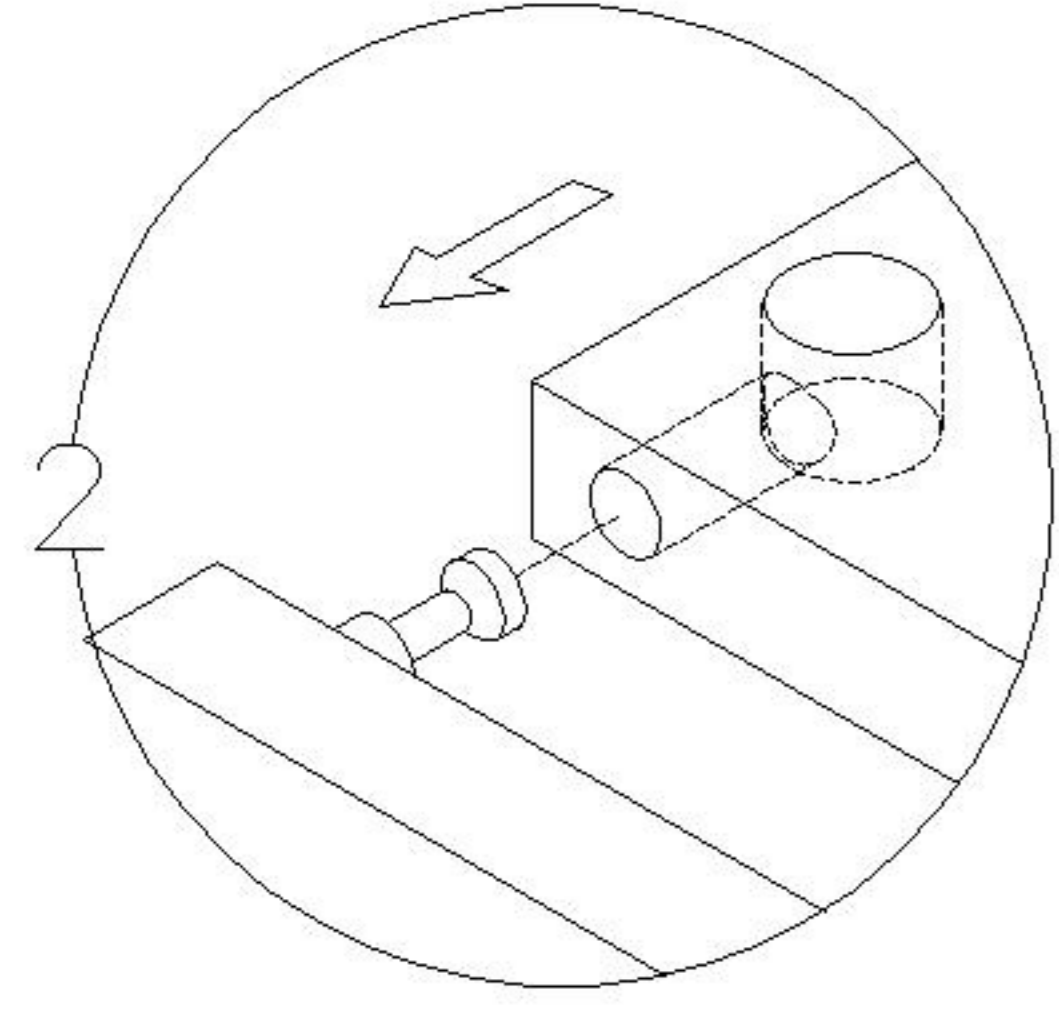
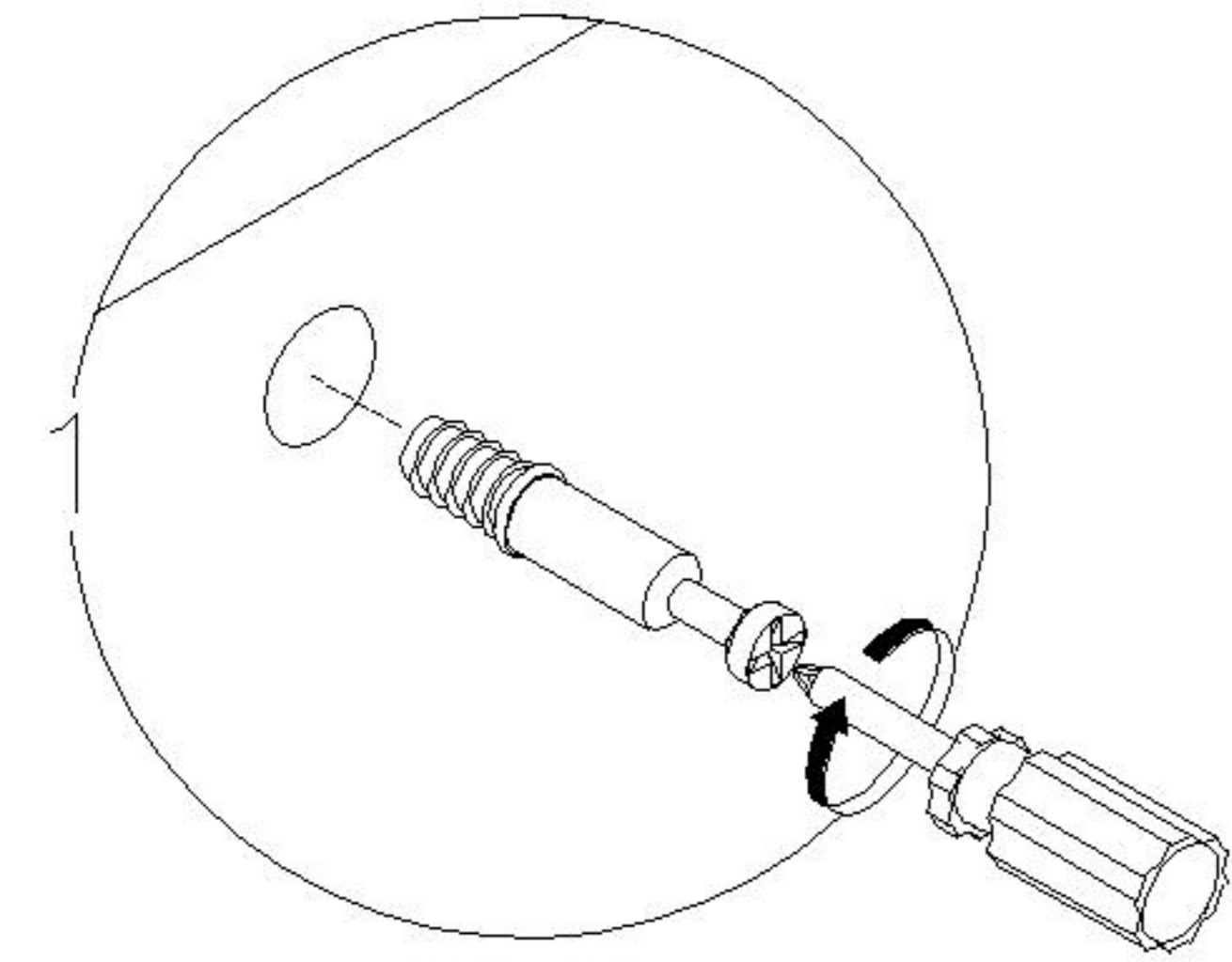
温馨提示：妆台可左右互换安装！
Kind reminder:
The dressing table can be installed interchangeably from left to right!

 (A)* 32 大三合一锁饼 Three-in-one large lock	 (B)* 32 二合一螺杆 2-in-1-screw	 (C)* 21 小三合一锁饼 3-in-1 small lock	 (D)* 21 小二合一杆 small two-in-one rod	 (E)* 17 木榫Ø8x30mm wood tenon	 (F)* 21 塑料螺母 Plastic Nut	 (G)* 21 自攻螺丝M4x40mm Self-tapping screw	 (H)* 3 自攻螺丝M4x20mm Self-tapping screw		
 (I)* 3 三节滚珠导轨-10" three-section ball rail	 (J)* 63 自攻螺丝M3.5x12mm Self-tapping screw	 (K)* 13 背板扣 Back Plate Buckle-White	 (L)* 13 自攻螺丝M3.5x16mm Self-tapping screw	 (M)* 5 拉手 Handle	 (N)* 5 拉手螺丝-M1x22mm pulling screw	 (O)* 3 镜钉 Mirror nail	 (P)* 4 斜边十字螺杆-M8x15 bevel cross screw		
 (Q)* 1 夹板条 Splint strip, L=557	 (R)* 1 抽面玻璃 Drawer's top panel glass	 (S)* 2 家具防倒器-白色 Anti-fall device white	 (T)* 2 三节滚珠导轨-12" three-section ball rail	 (U)* 2 垫片L=500mm Black long rubber pad	 (V)* 4 过山丝-M7x38mm Self-tapping screw galvanized	 (W)* 1 内六角扳手4mm spanner-(4mm) hex	 (X)* 6 圆胶垫 Round rubber pad		
 (Y)* 6 自攻螺丝M4x30mm Self-tapping screw	 (Z)* 6 脚垫-灰色 Footrest - Grey	 (A1)* 1 面板玻璃 Panel glass							

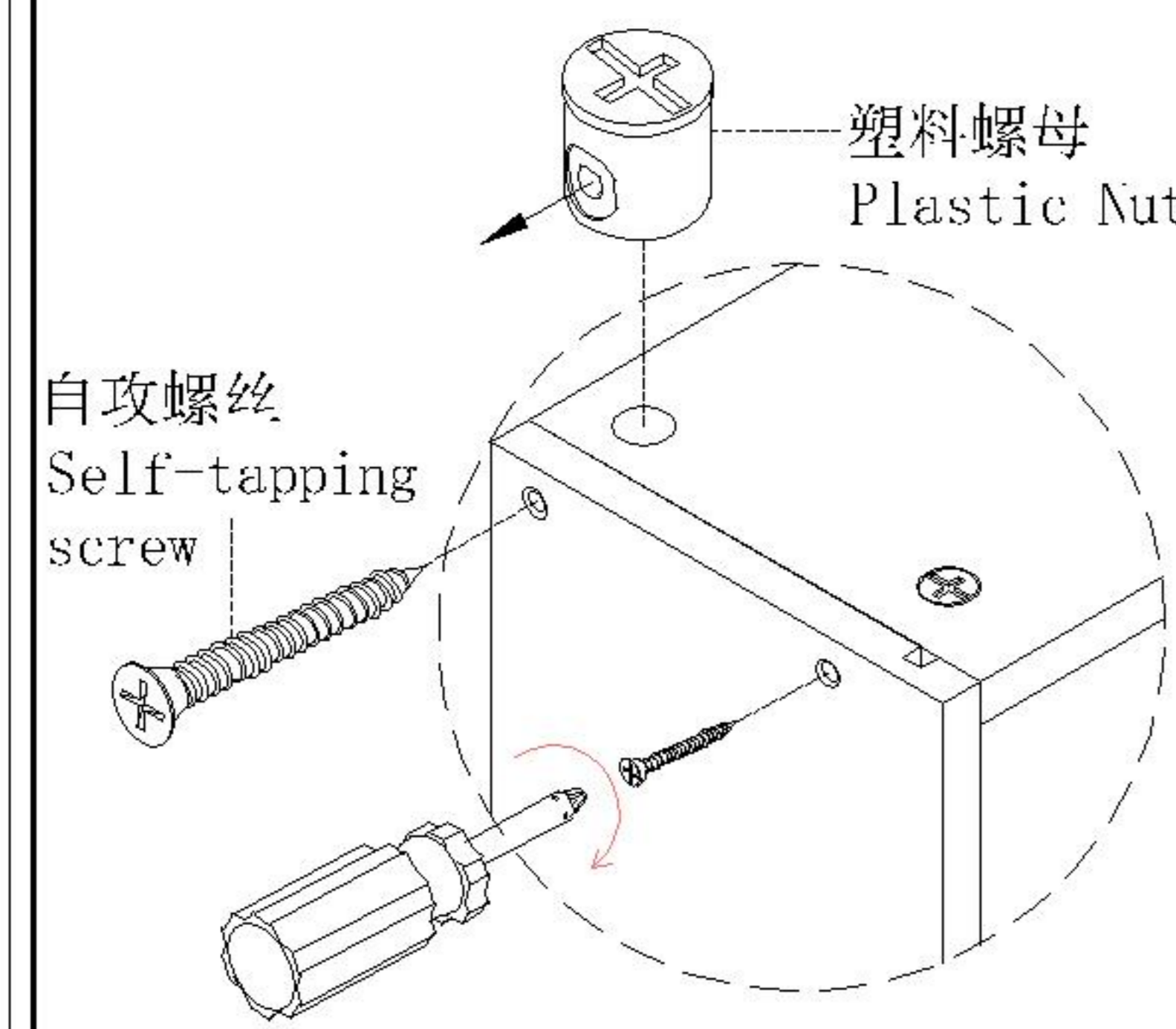
TU2C-A	部件表/Parts List					部件表/Parts List				
安装方法/ Installation method	编号NO.	名称Name	规格 (mm) Specification	数量QTY	材质Material	编号NO.	名称Name	规格 (mm) Specification	数量QTY	材质Material
		①	TU1E-A 三斗柜 主体 TU1E-A Three Bucket Cabinet Main Body		1		④	TU2C-A 妆台主体 TU2C-A Dressing Table Body		1
	1-1	面板 Top panel	594*398*15	1	人造板 WBP	4-1	底板 Bottom board	971*382*15	1	人造板 WBP
	1-2	底板 Bottom board	594*398*15	1	人造板 WBP	4-2	前拉条 Front brace	971*58*15	1	人造板 WBP
	1-3	左侧板 Side board(L)	557*317*25	1	人造板 WBP	4-3	后拉条 Back brace	971*81*15	1	人造板 WBP
	1-4	右侧板 Side board(R)	557*317*25	1	人造板 WBP	4-4	中侧板 Middle side board	360*95*15	1	人造板 WBP
	1-5	拉条 Brace	542*58*15	1	人造板 WBP	4-5	背板 Back board	981*105*5	1	人造板 WBP
	1-6	背板 Back board	567*275*5	2	人造板 WBP	4-6	左抽屉面板 Drawer's panel(L)	483*122*15	1	人造板 WBP
	1-7	上抽屉左侧板 Upper Drawer's side board(L)	295*78*12	1	人造板 WBP	4-7	右抽屉面板 Drawer's panel(R)	483*122*15	1	人造板 WBP
	1-8	上抽屉右侧板 Upper Drawer's side board(R)	295*78*12	1	人造板 WBP	4-8	抽屉左侧板 Drawer side board(L)	340*78*12	2	人造板 WBP
	1-9	上抽屉后板 Upper Drawer's Back board	492*78*12	1	人造板 WBP	4-9	抽屉右侧板 Drawer side board(R)	340*78*12	2	人造板 WBP
	1-10	抽屉底板 Drawer's Bottom board	502*291*5	3	人造板 WBP	4-10	抽屉后板 Drawer Back panel	428*78*12	2	人造板 WBP
	1-11	下抽屉左侧板 Bottom Drawer's side board(L)	295*110*12	2	人造板 WBP	4-11	抽屉底板 Drawer's Bottom board	438*336*5	2	人造板 WBP
	1-12	下抽屉右侧板 Bottom Drawer's side board(R)	295*110*12	2	人造板 WBP	⑤	TU2C-A 妆台配件 TU2C-A Dressing Table Accessories		1	
	1-13	下抽屉后板 Bottom Drawer's Back board	492*110*12	2	人造板 WBP					
	②	TU1E-A 三斗柜 配件 TU1E-A Three Bucket Cabinet Accessories		1		5-2	右侧板 Side board(R)	398*125*25	1	吸塑板Blister board
	2-1	上抽屉面板 Upper Drawer's top panel	538*121*18	1	吸塑板Blister board	⑥	TU2C-A 妆台五金脚 TU2C-A Dressing Table Hardware Feet		1	
	2-2	下抽屉面板 Bottom Drawer's top panel	538*175*18	2	吸塑板Blister board					
	2-3	左侧柱 Side column(L)	557*80*25	1	吸塑板Blister board					
	2-4	右侧柱 Side column(R)	557*80*25	1	吸塑板Blister board					
	③	TU2C-A 三斗柜 脚条 TU2C-A Three Bucket Cabinet Footrest		1						
	3-1	长脚条 Long footrest	544*58*25	1	人造板 WBP					
	3-2	短脚条 Short footrest	298*58*25	2	人造板 WBP					

TU2C-A

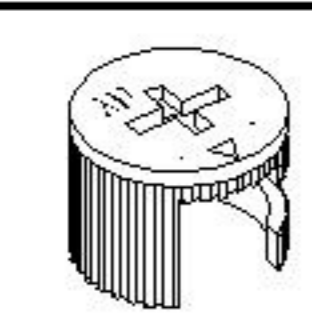
安装方法/
Installation method



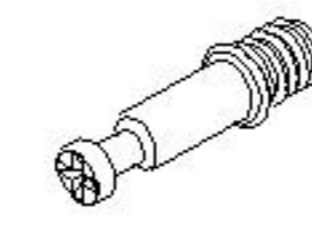
小二合一/two-in-one



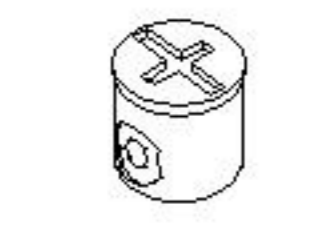
塑料螺母
Plastic Nut



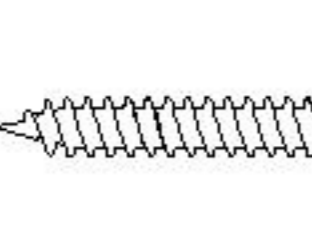
(C)*4



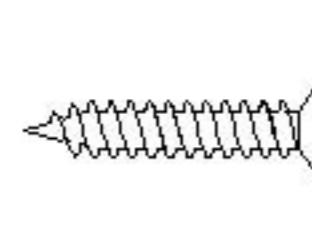
(D)*4



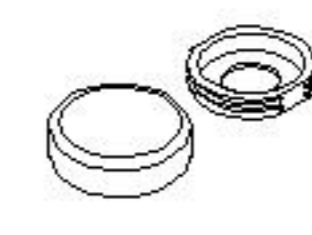
(F)*4



(G)*4



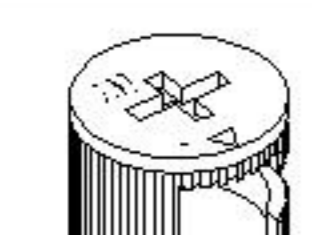
(H)*3



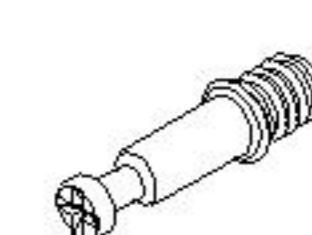
(O)*3



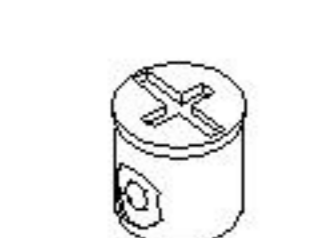
(R)*1



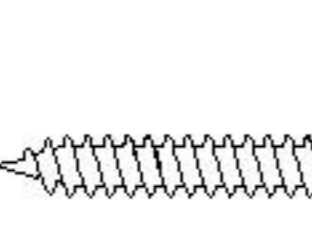
(C)*8



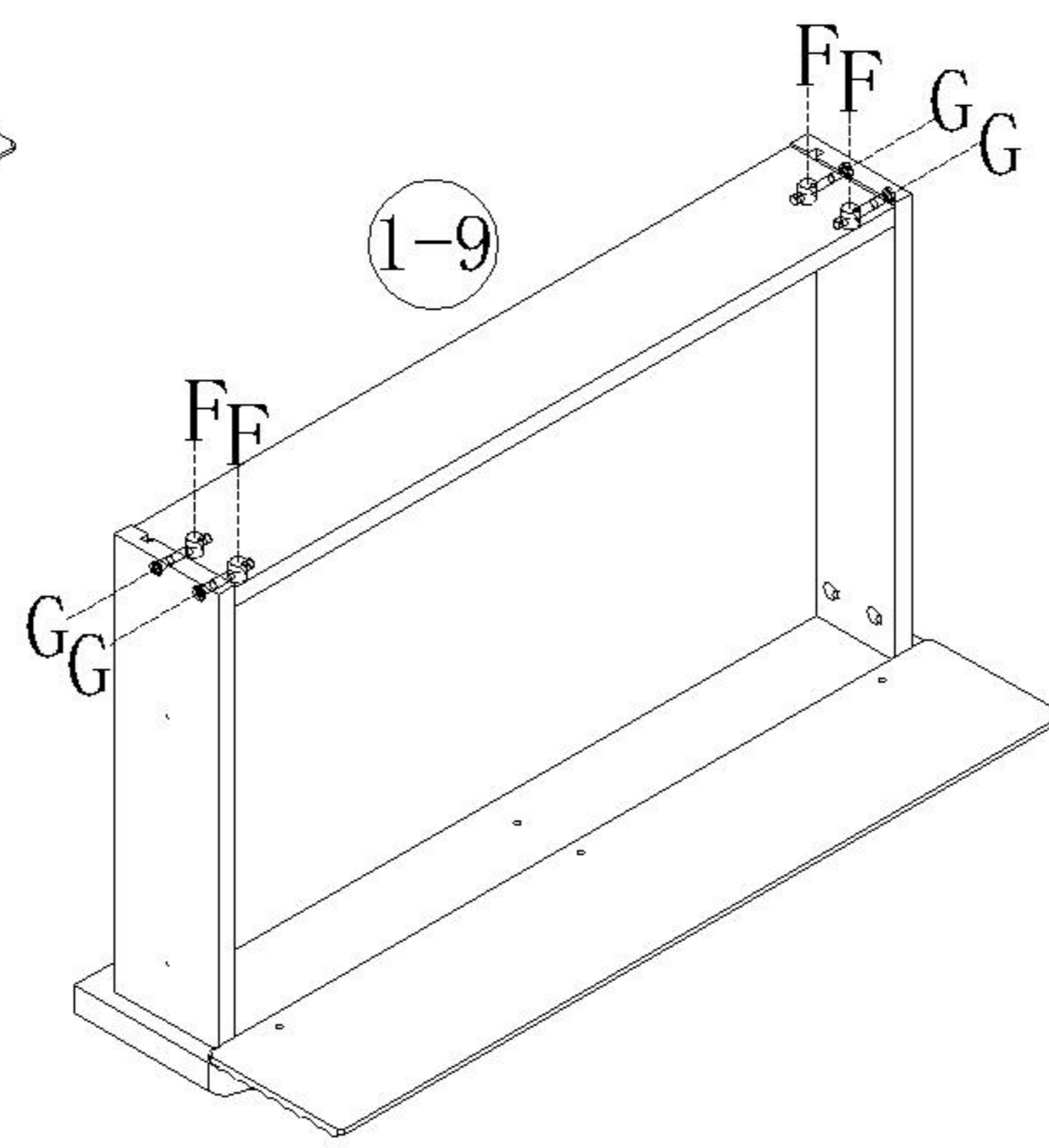
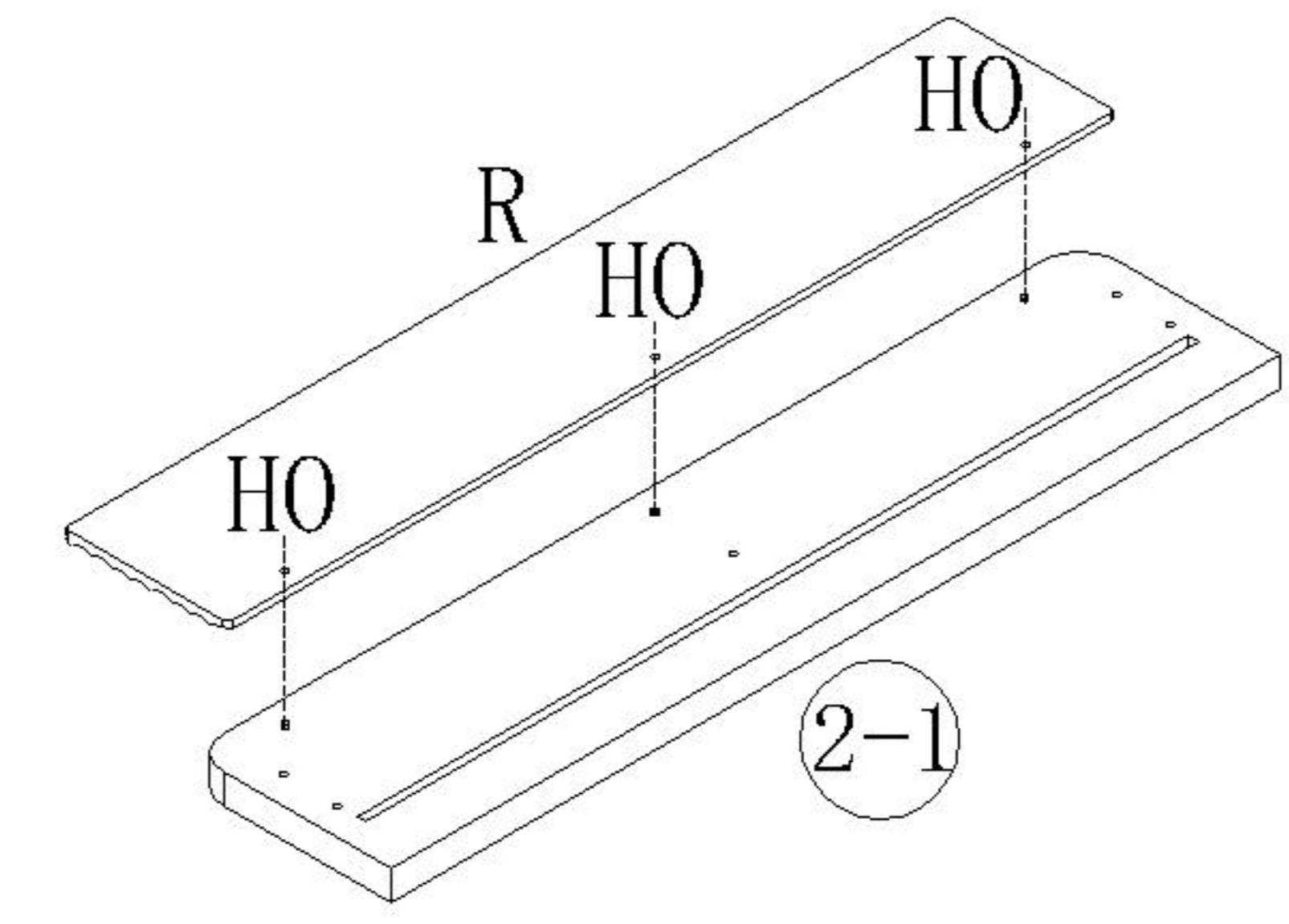
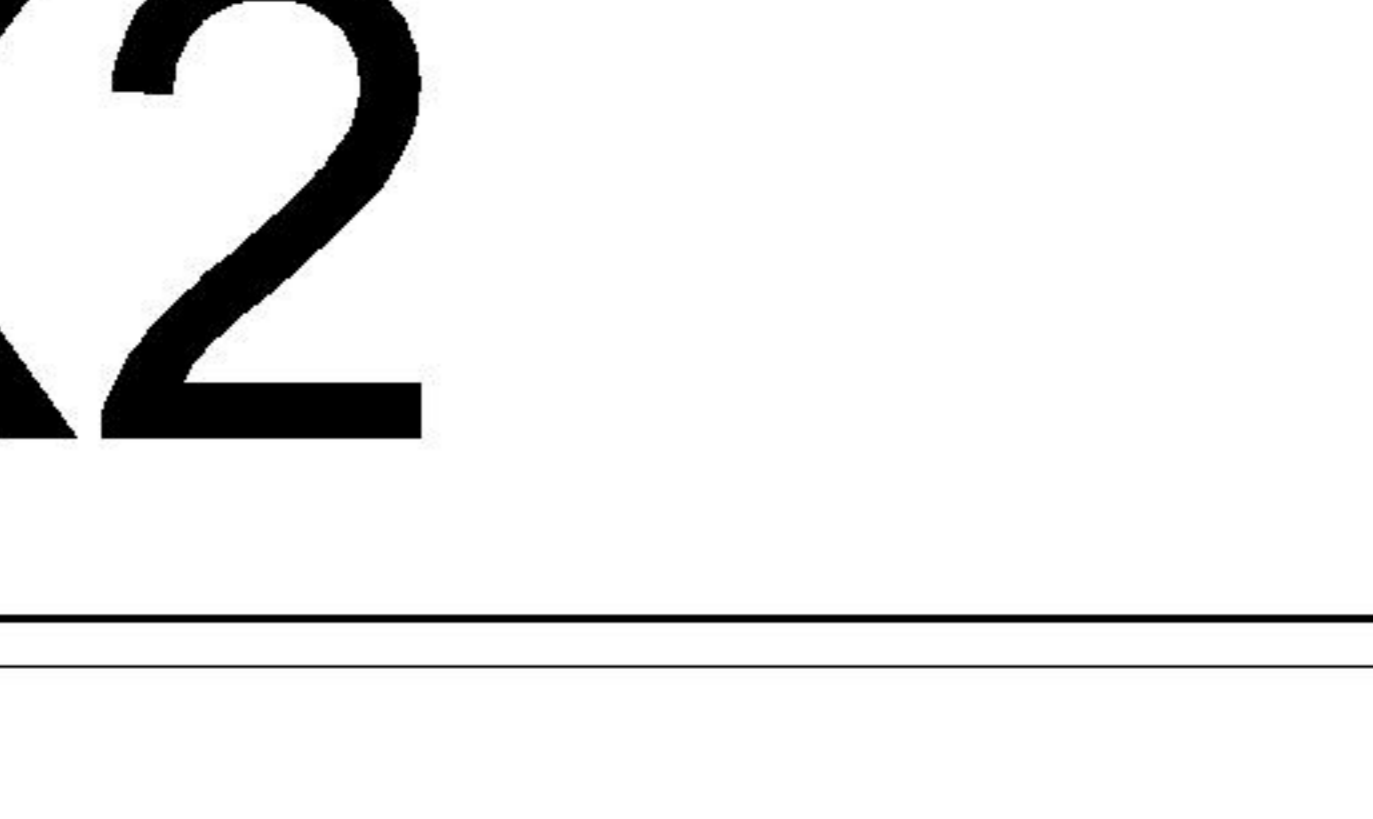
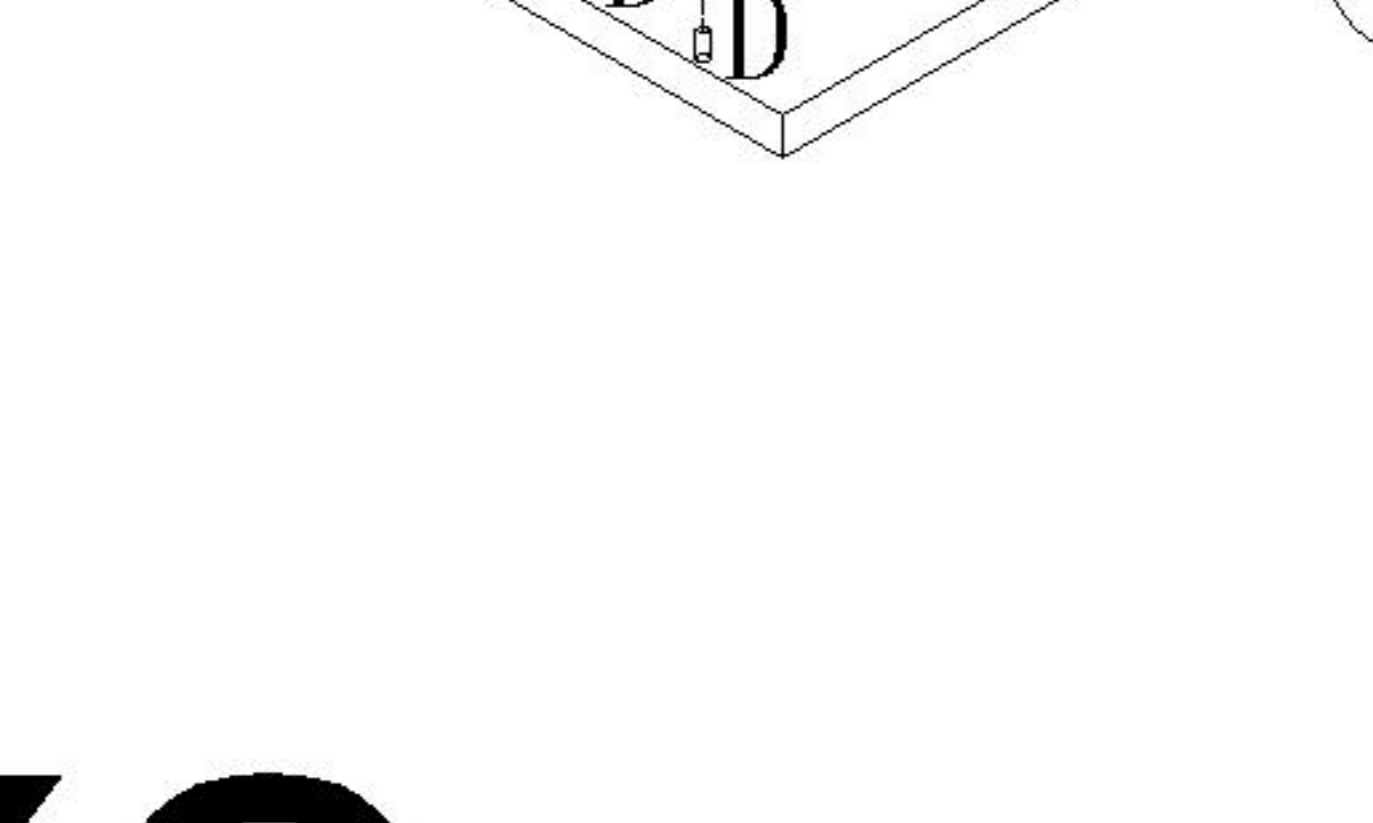
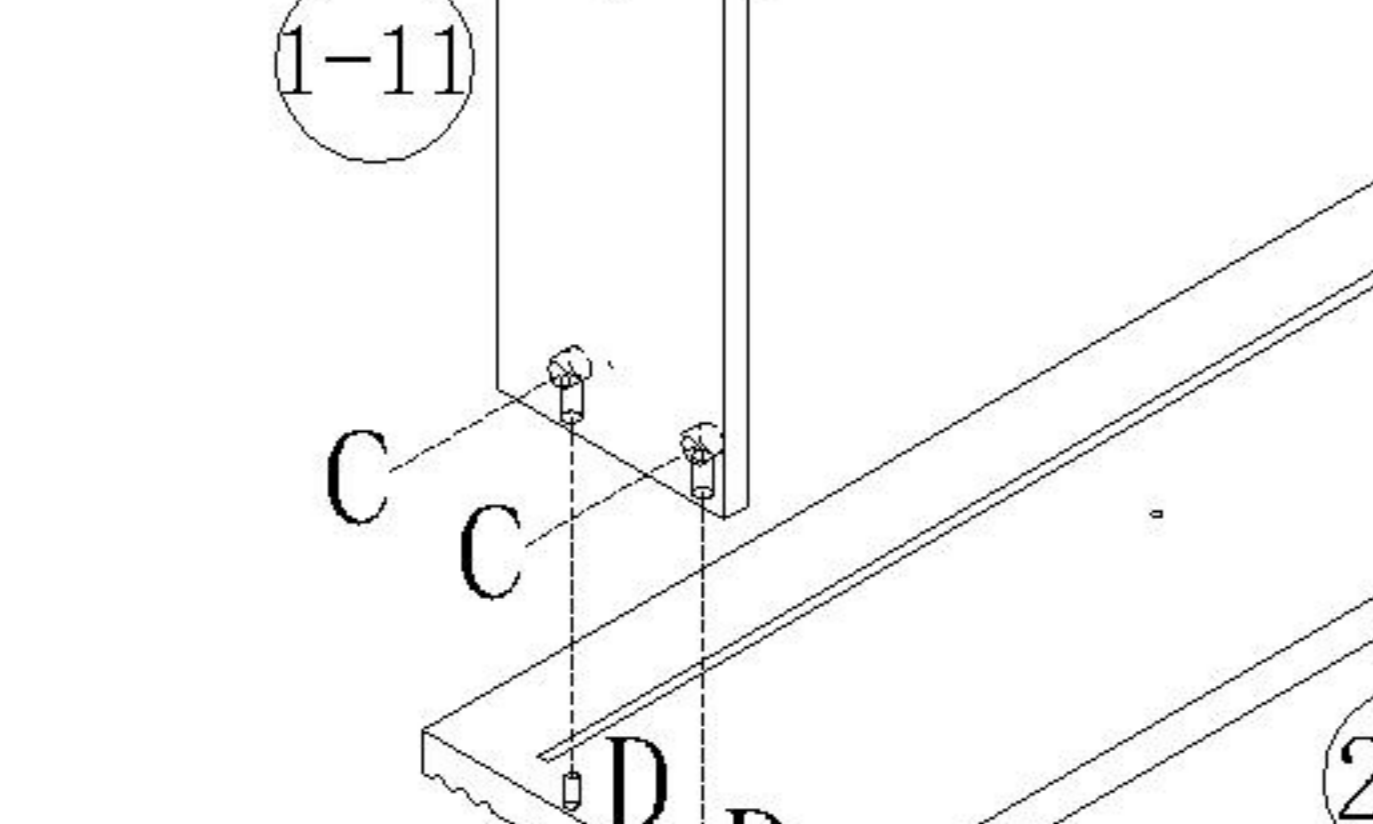
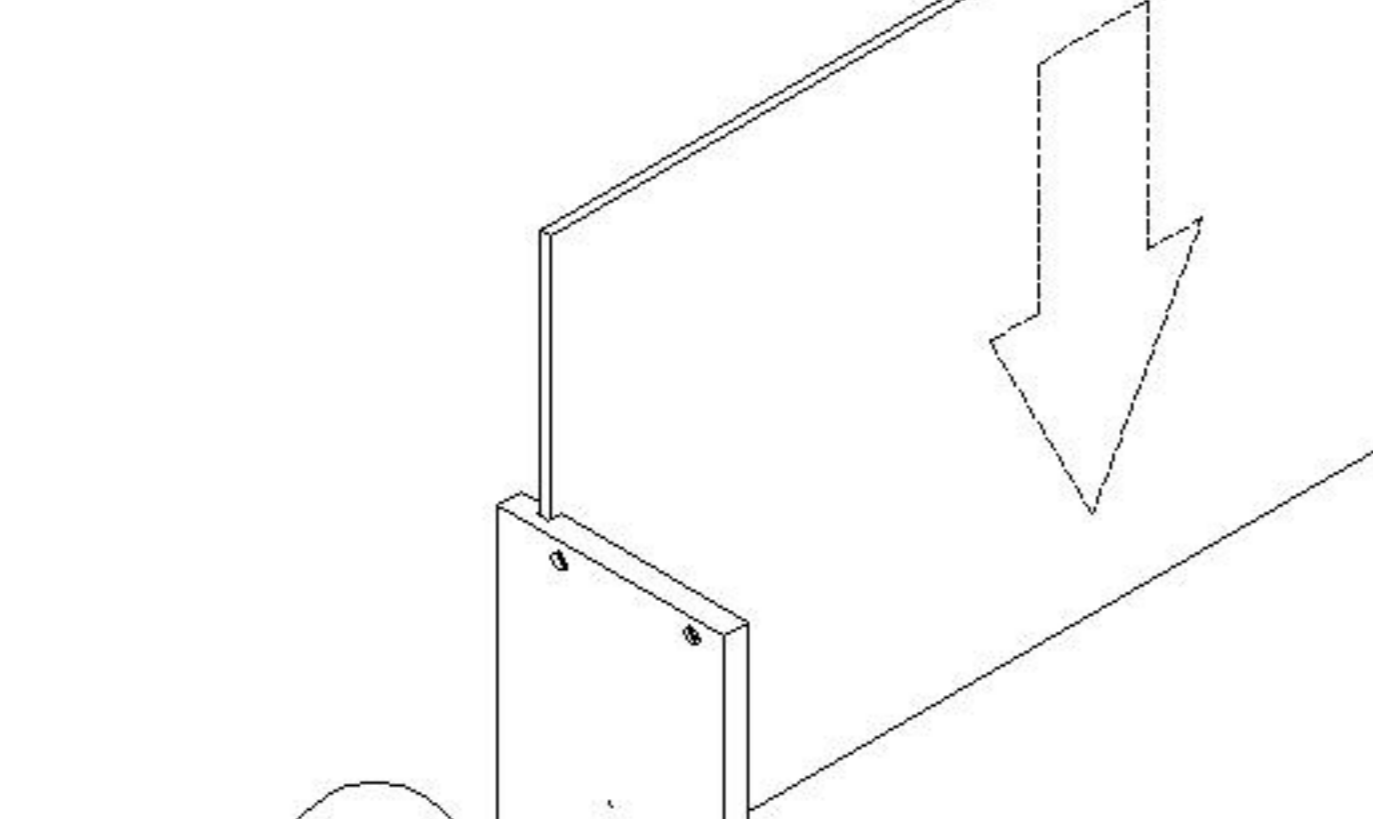
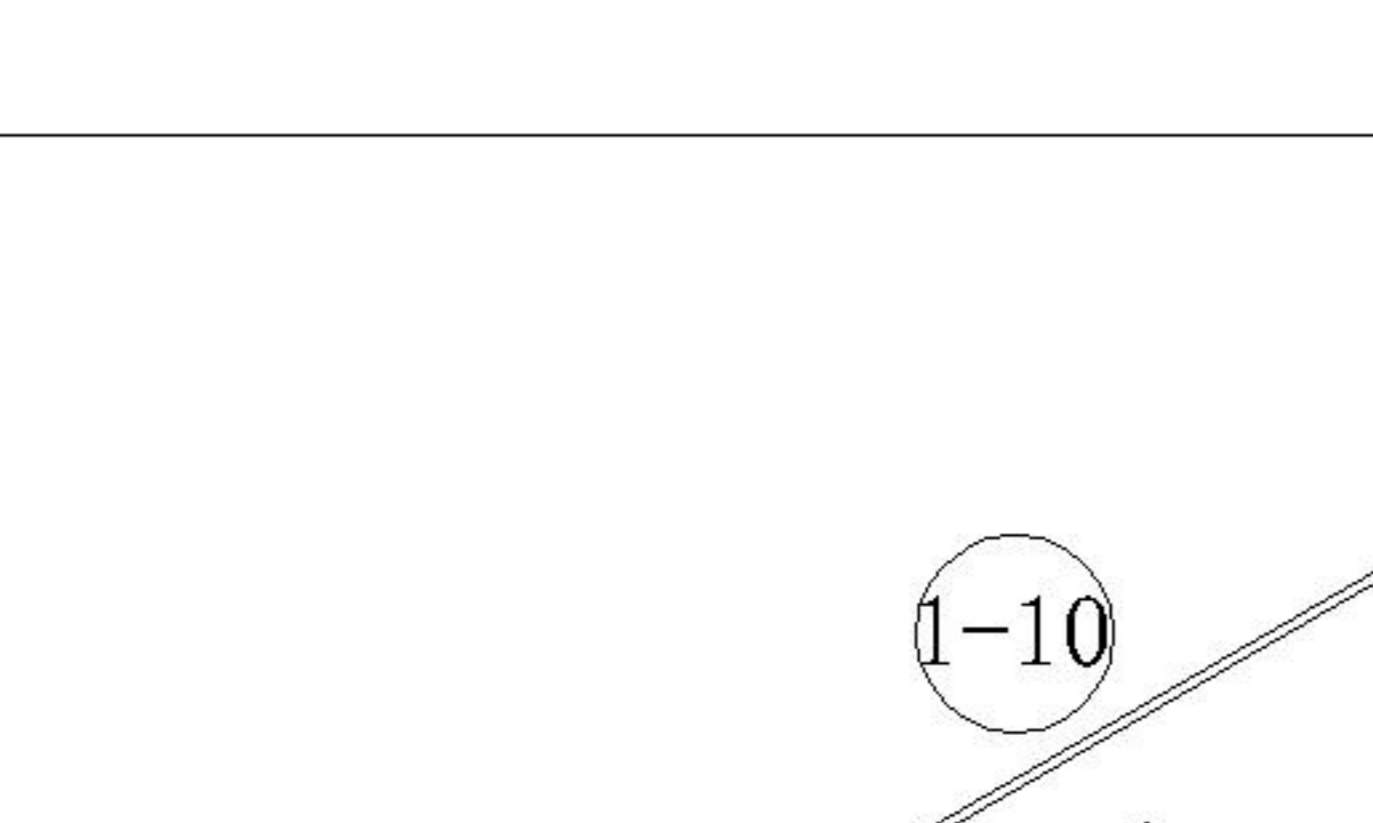
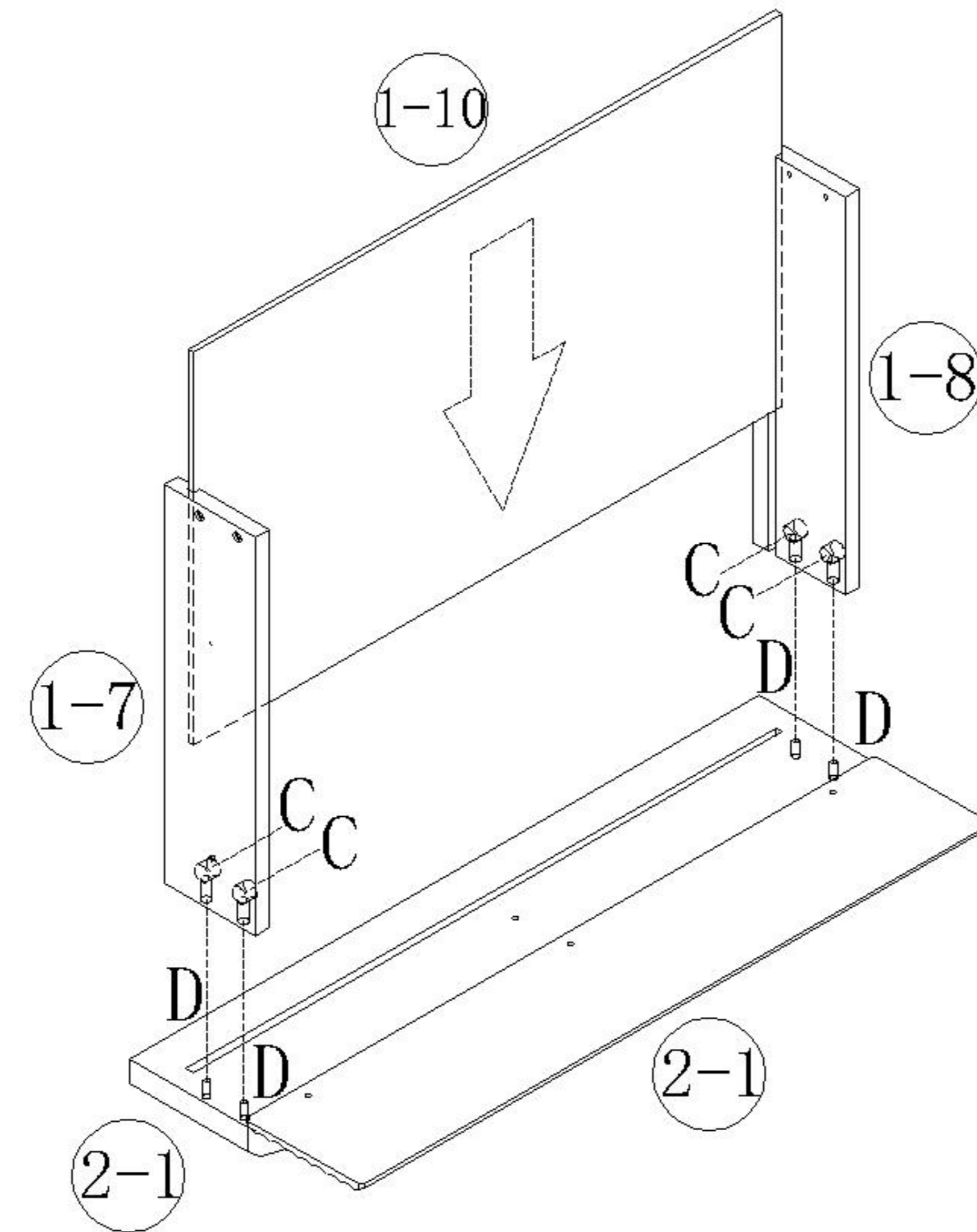
(D)*8



(F)*8

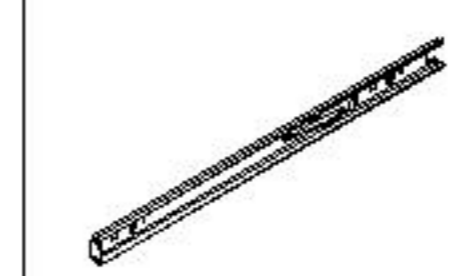


(G)*8

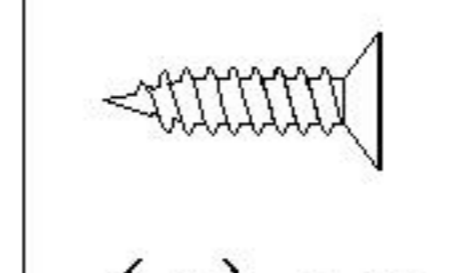


X2

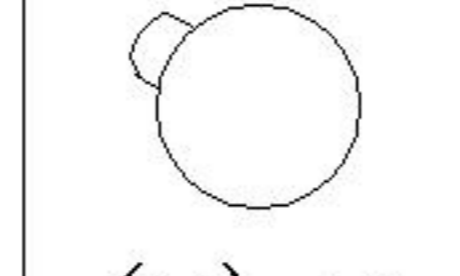
1



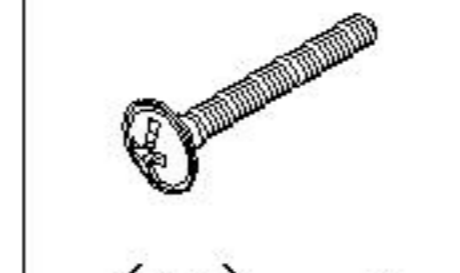
(I)*1



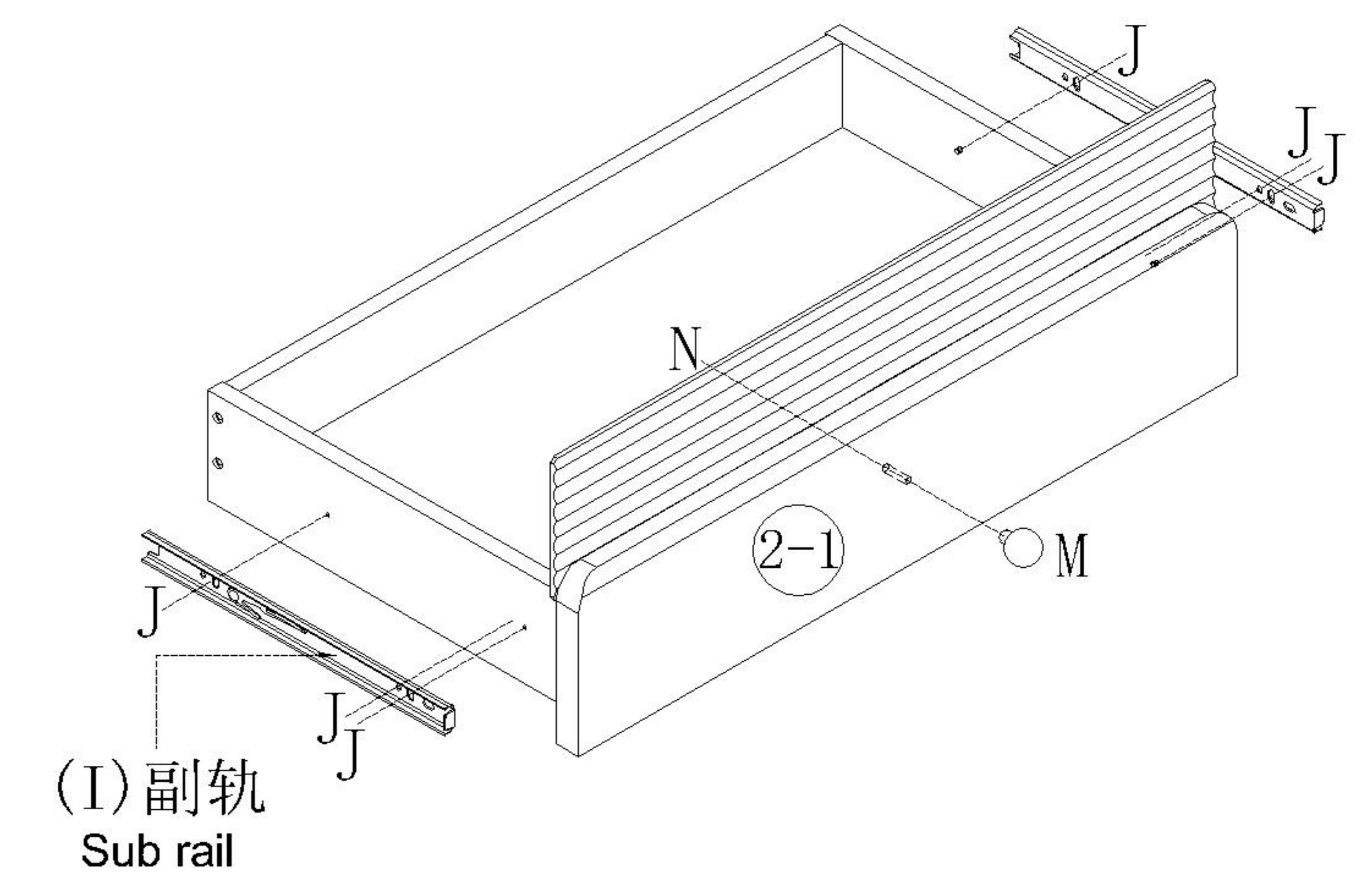
(J)*6



(M)*1

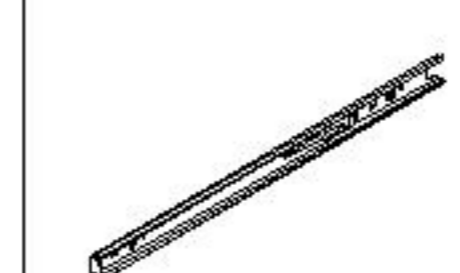


(N)*1

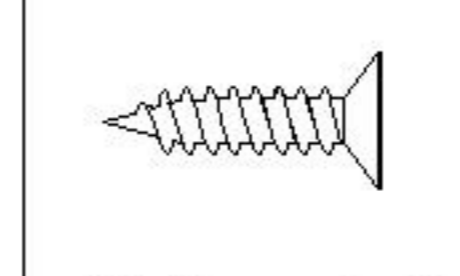


(I) 副轨
Sub rail

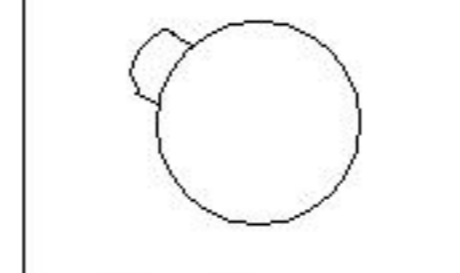
3



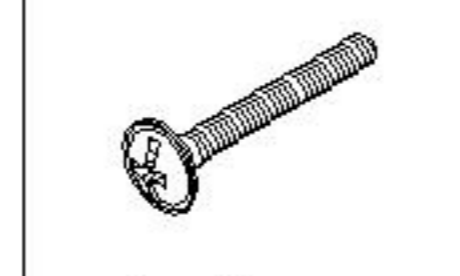
(I)*2



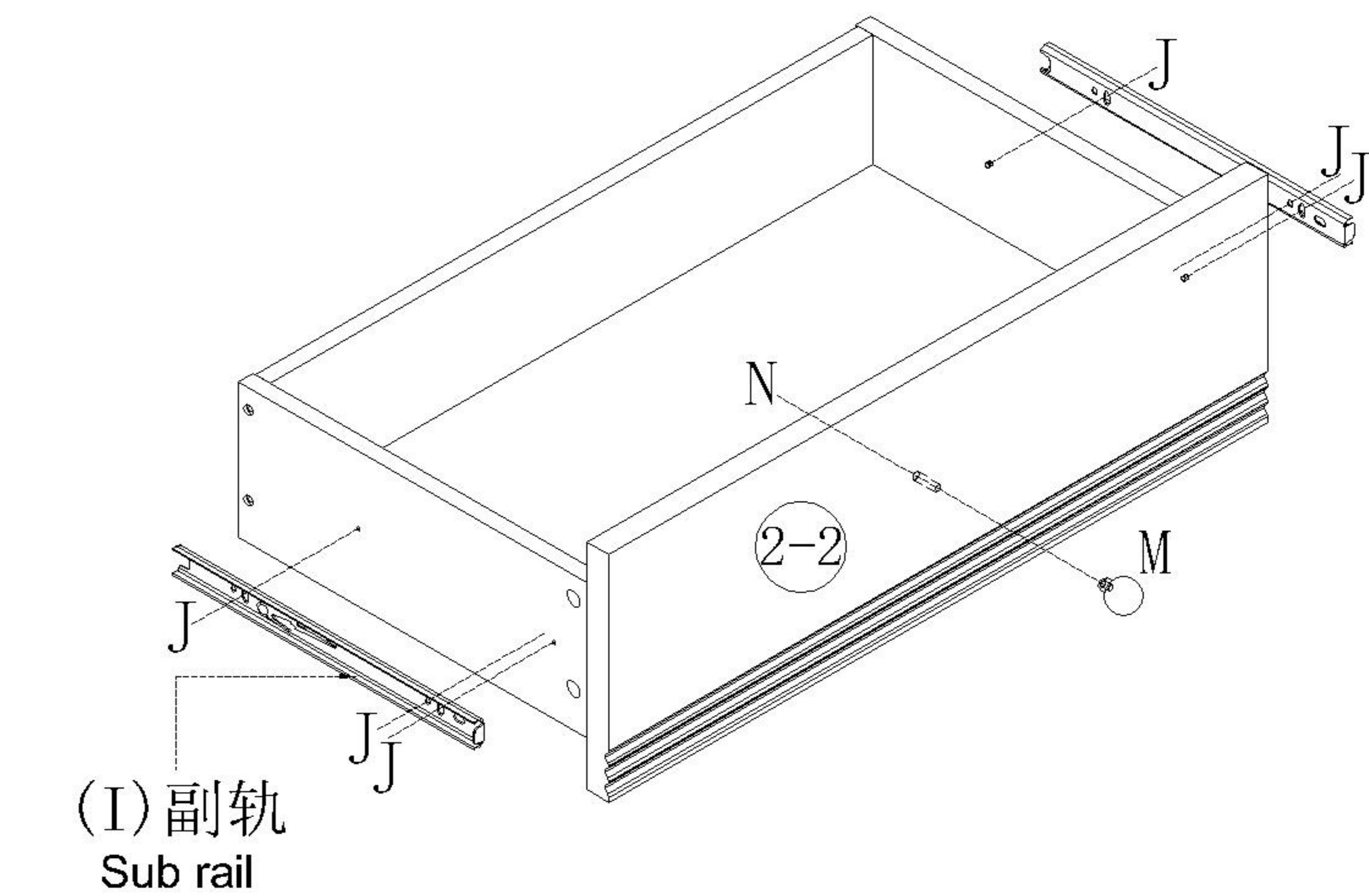
(J)*12



(M)*2



(N)*2



(I) 副轨
Sub rail

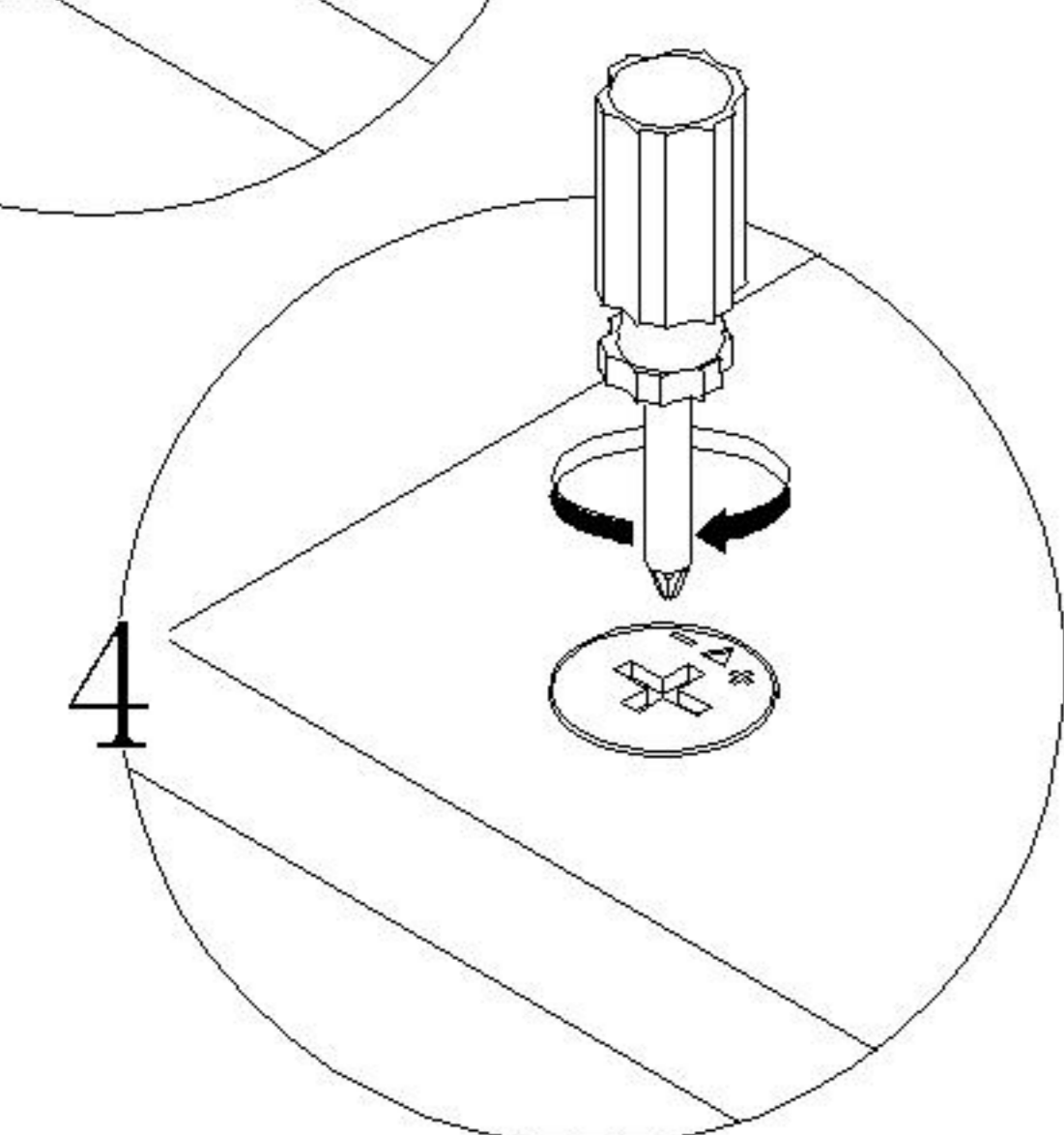
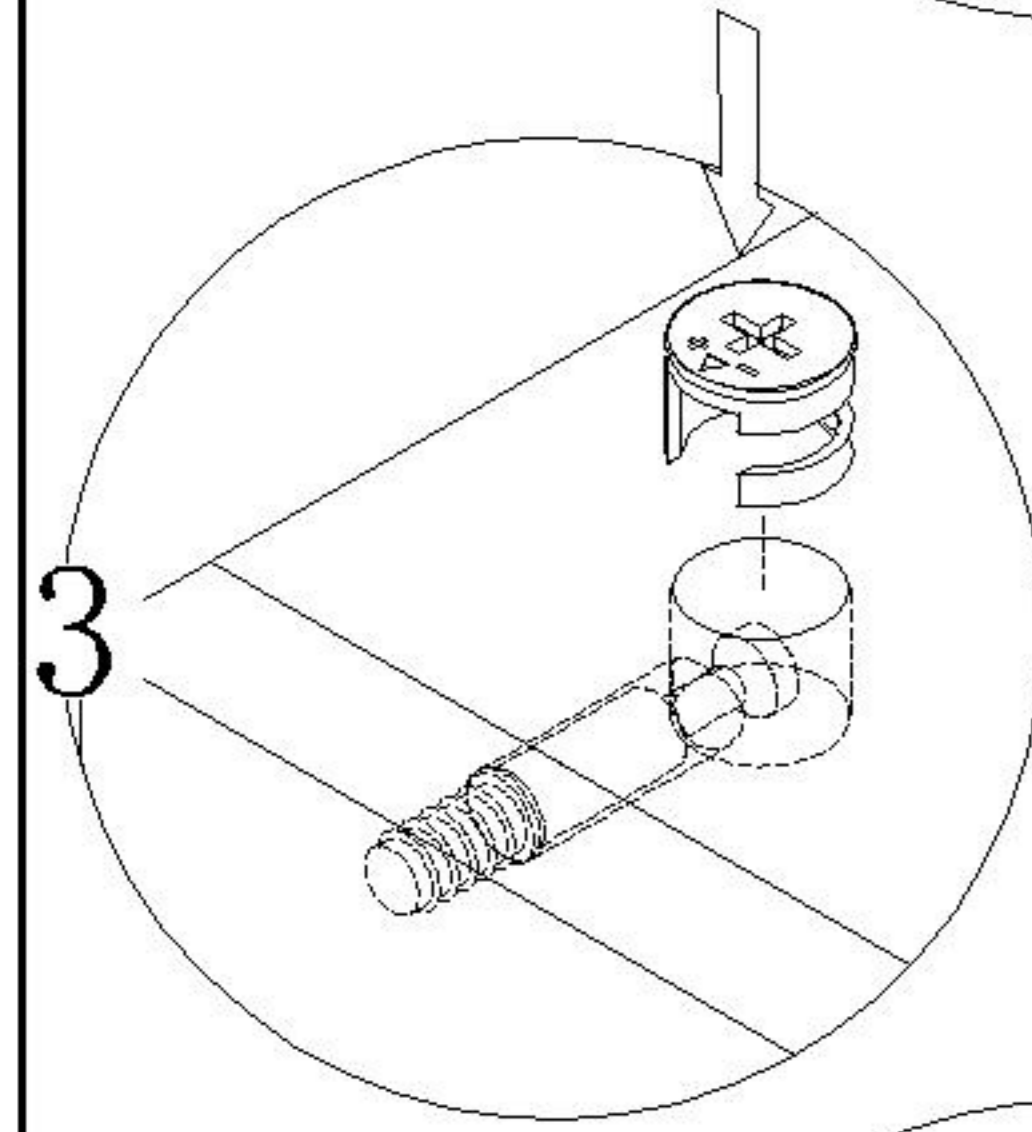
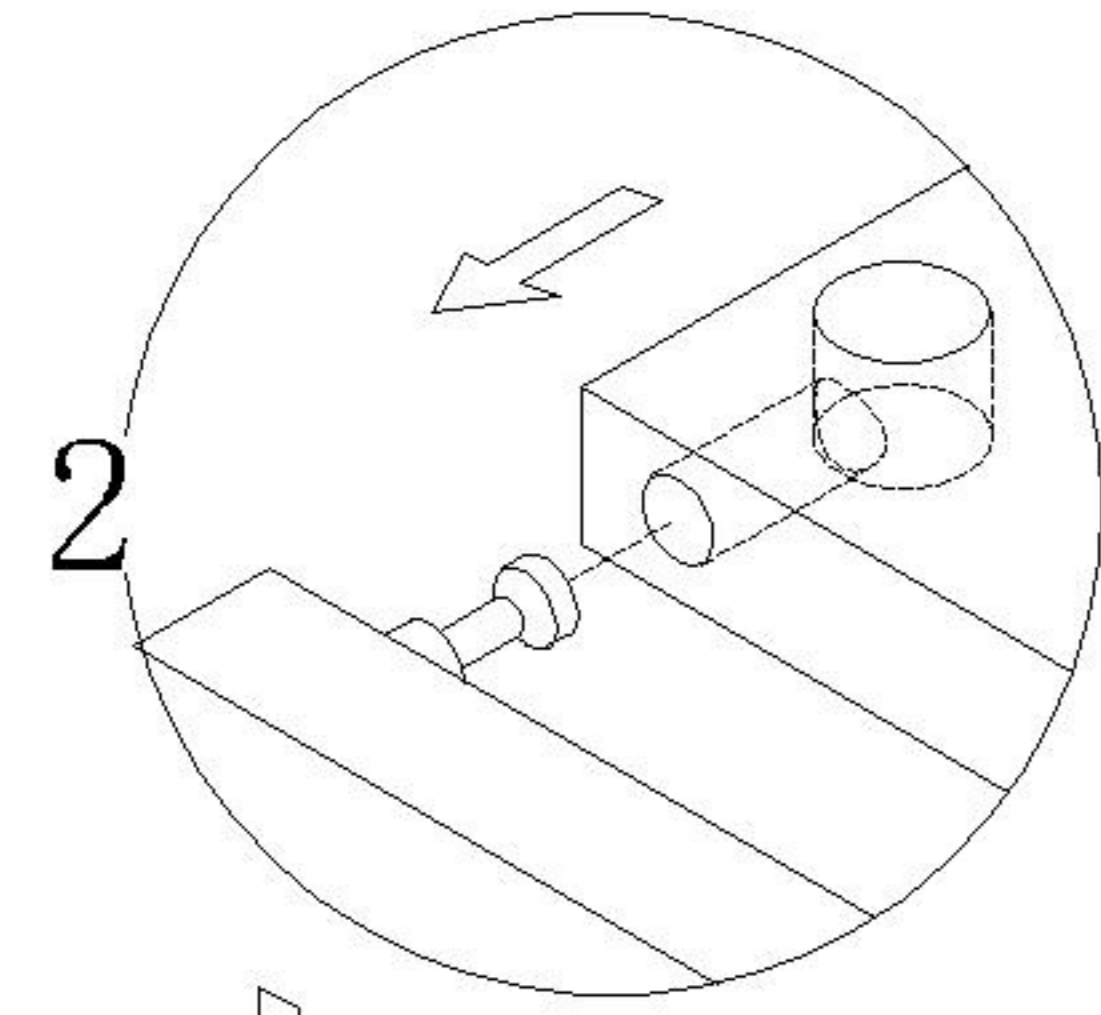
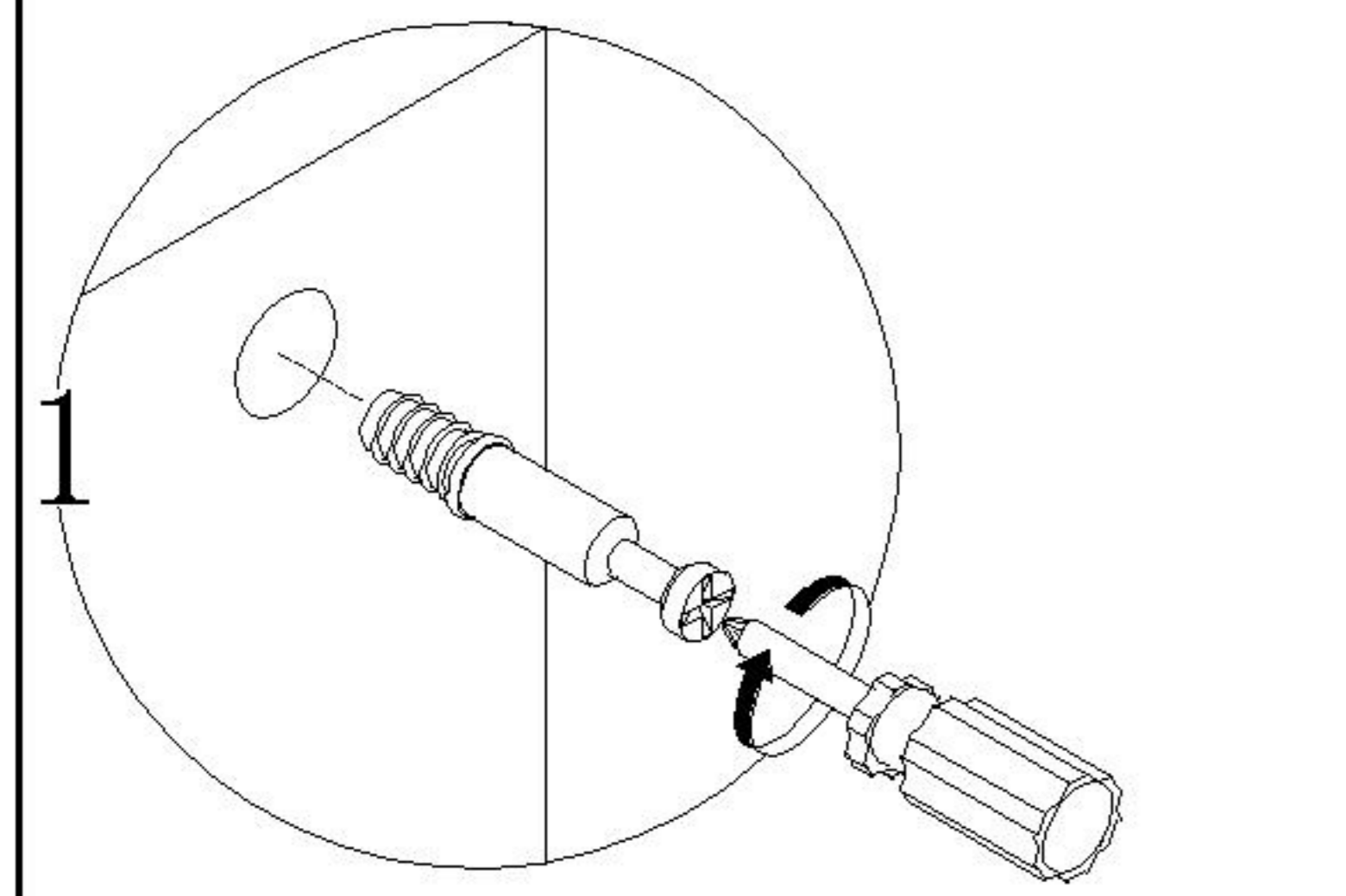
X2

2

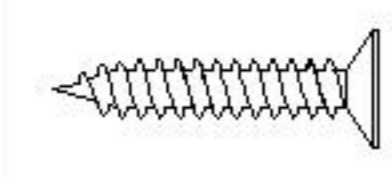
4

TU2C-A

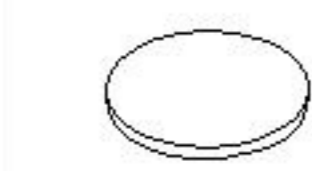
安装方法/
Installation method



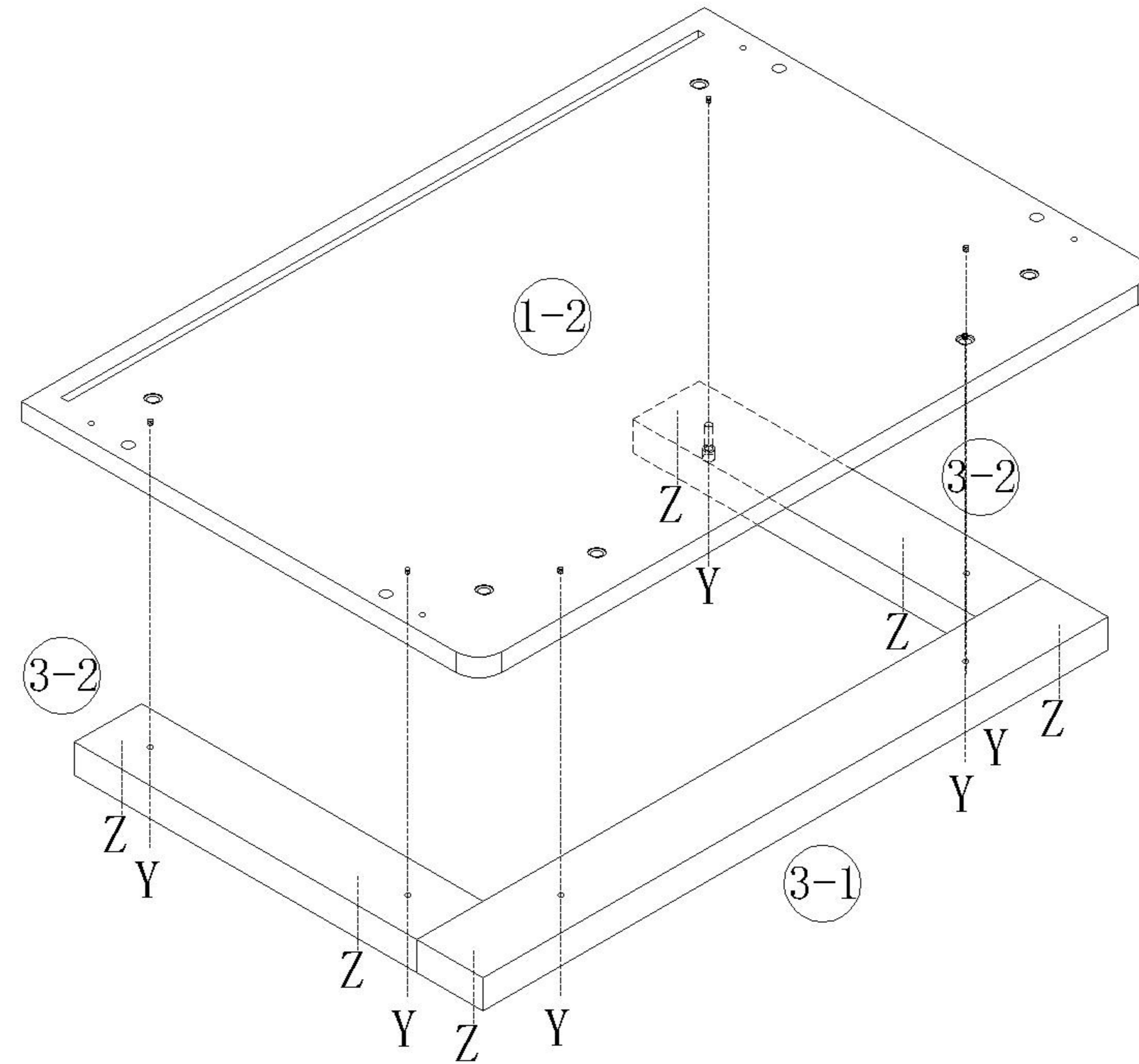
大二合一
two-in-one



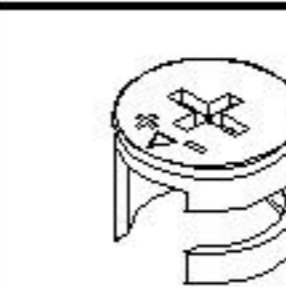
(Y)*6



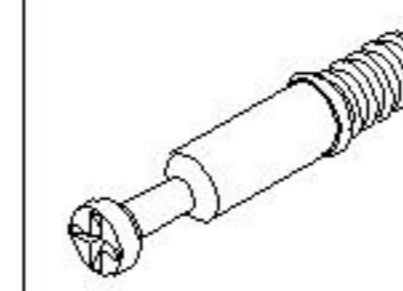
(Z)*6



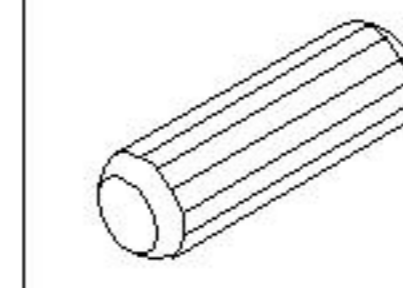
5



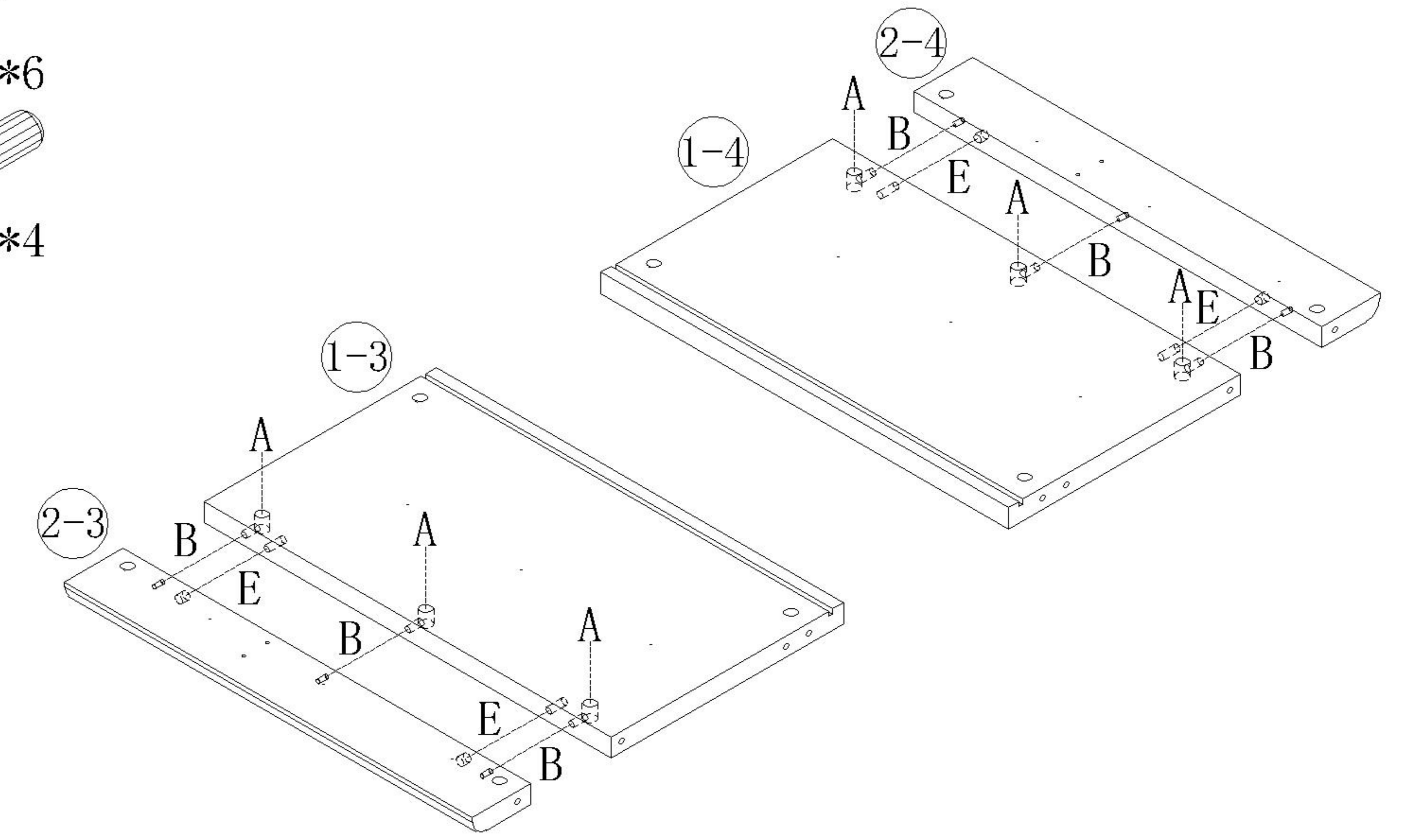
(A)*6



(B)*6

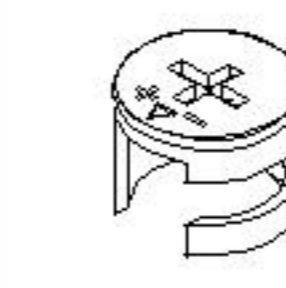


(E)*4

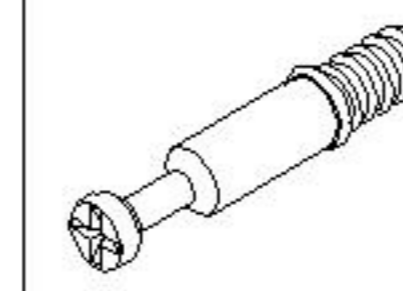


6

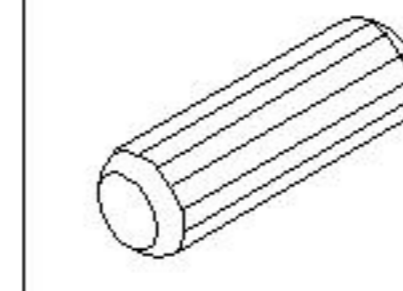
7



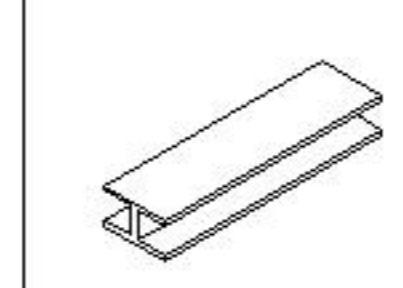
(A)*4



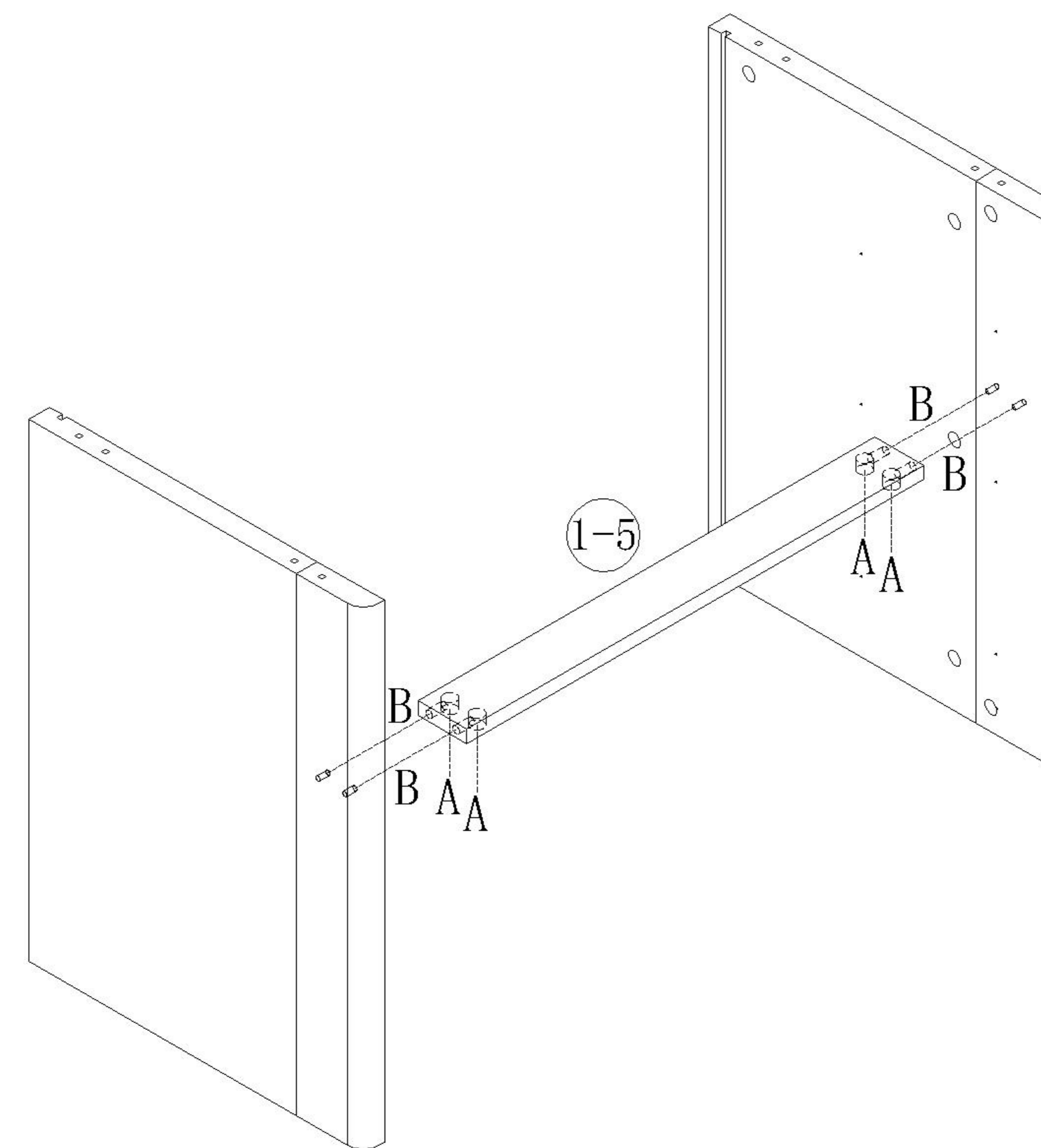
(B)*4



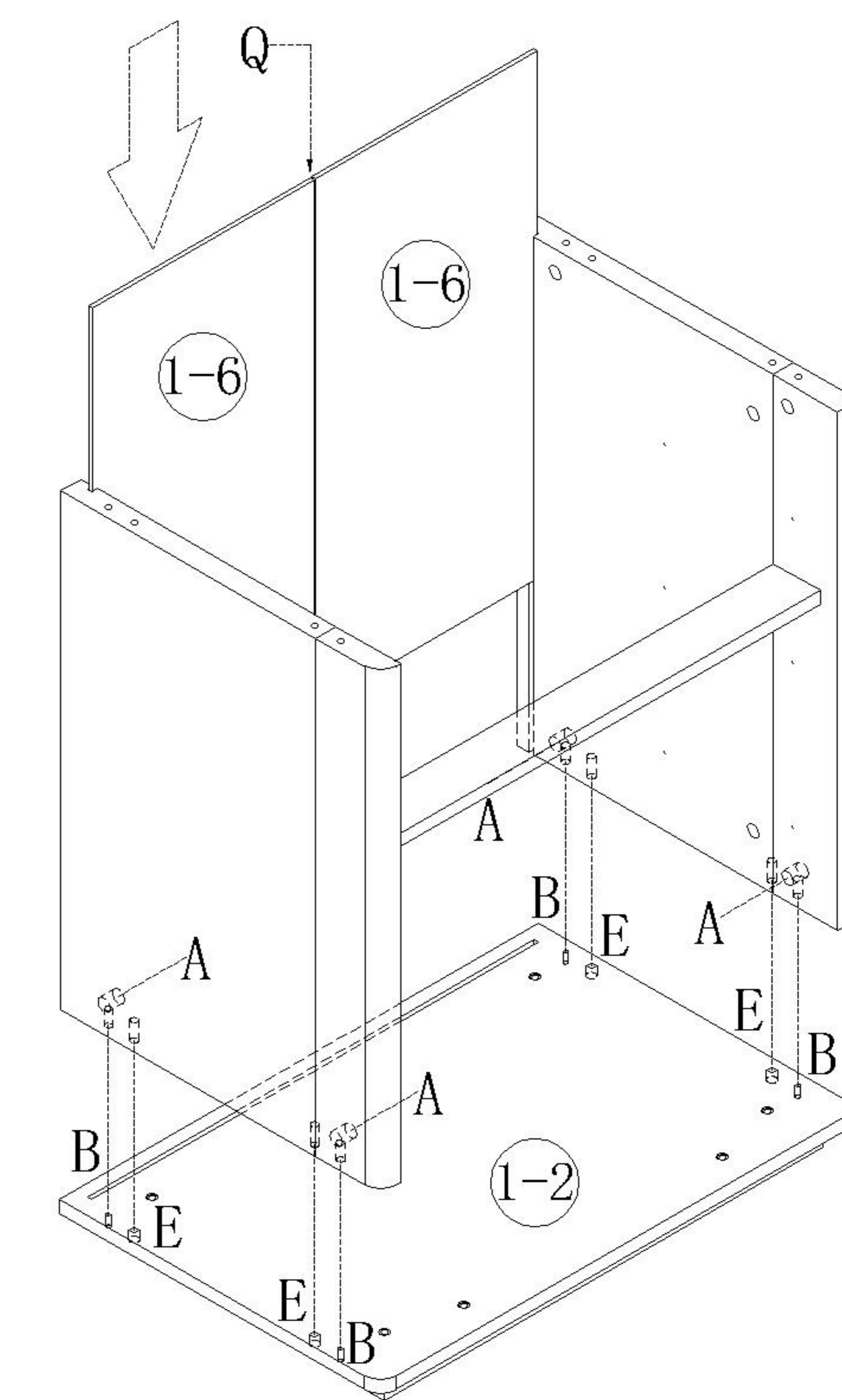
(E)*4



(Q)*1



8

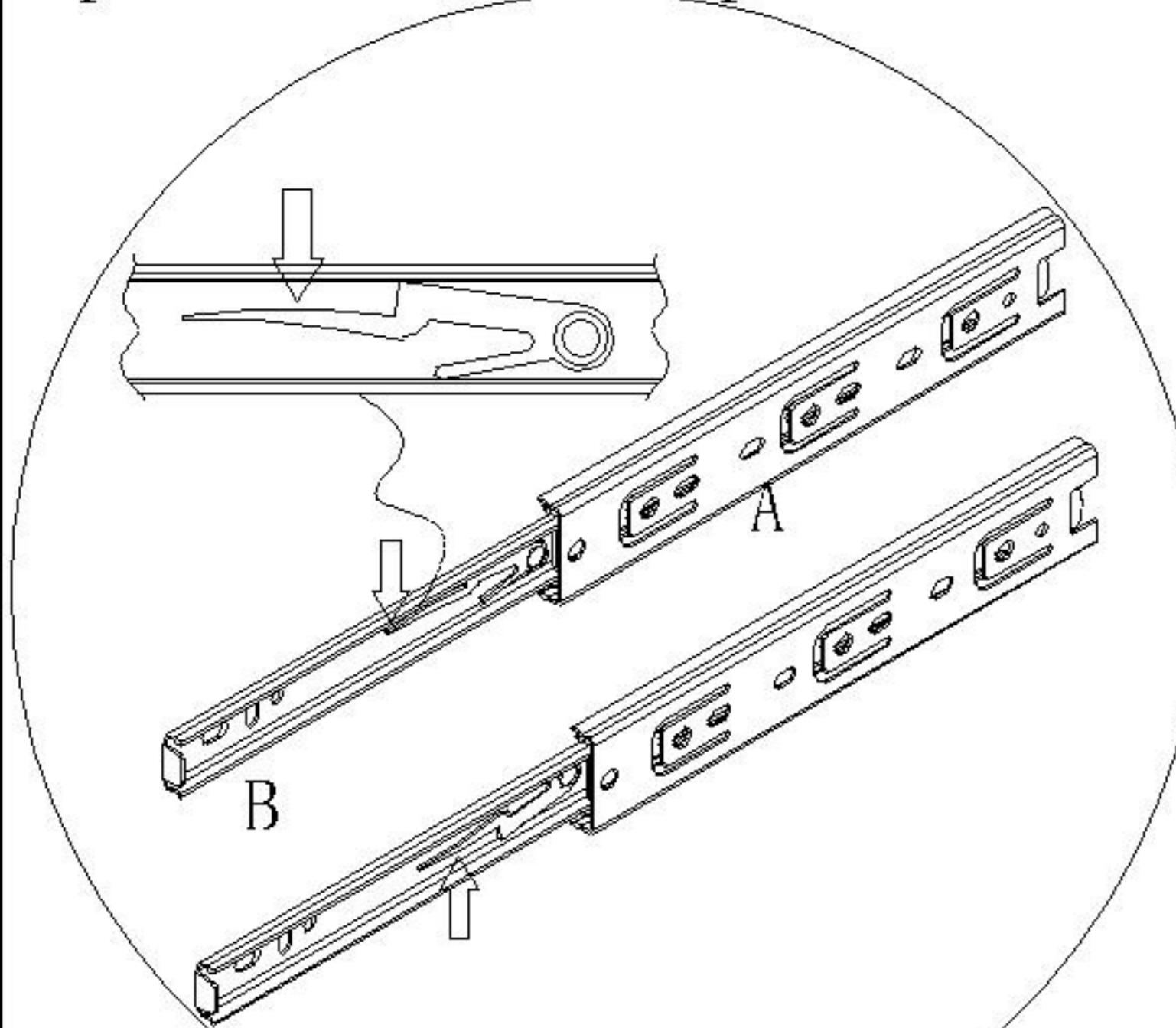


TU2C-A

安装方法/

Installation method

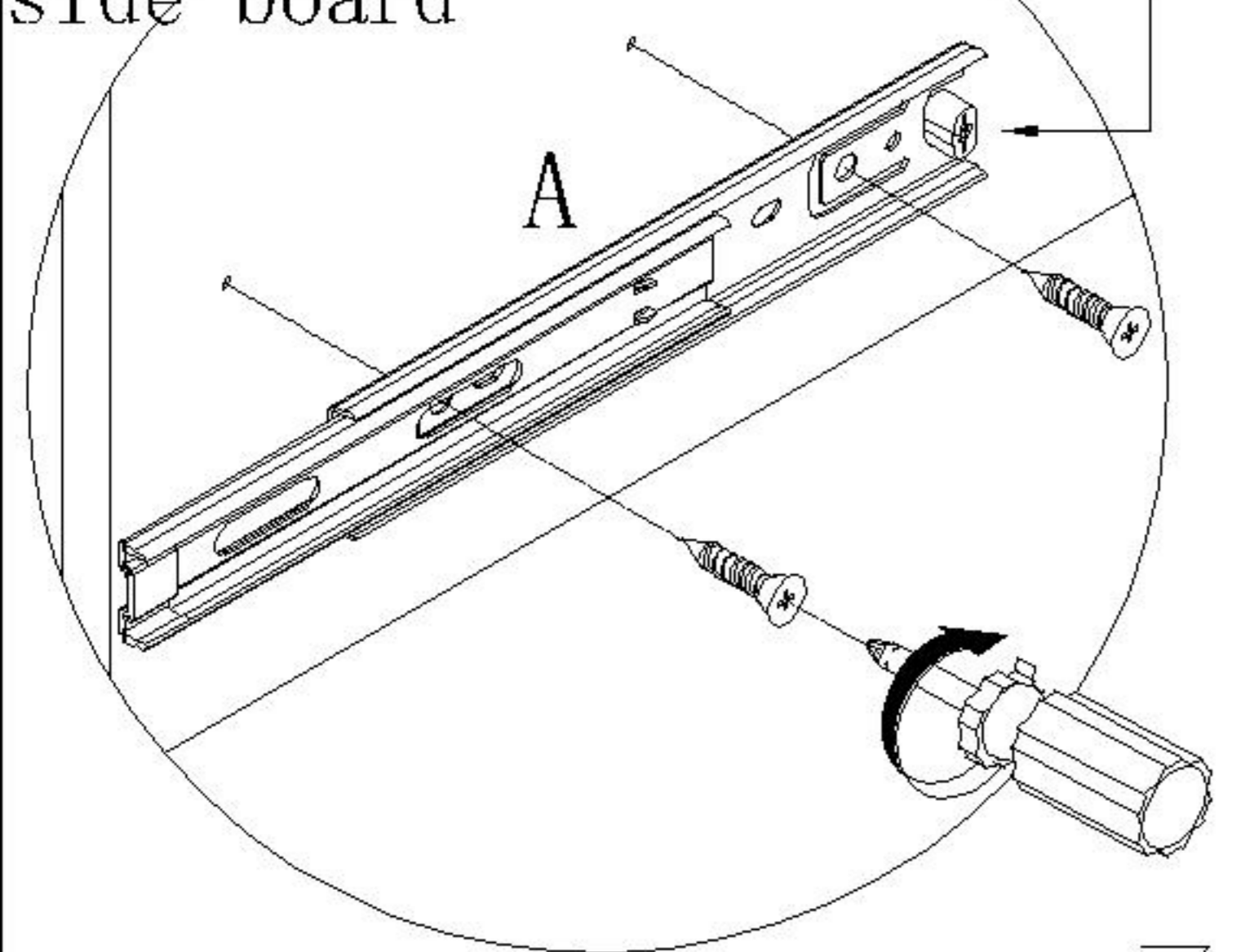
阀门开关(下压为开)
Valve switch
(press down to open)



注: 先将A与B拆下来
Note: remove a and B first

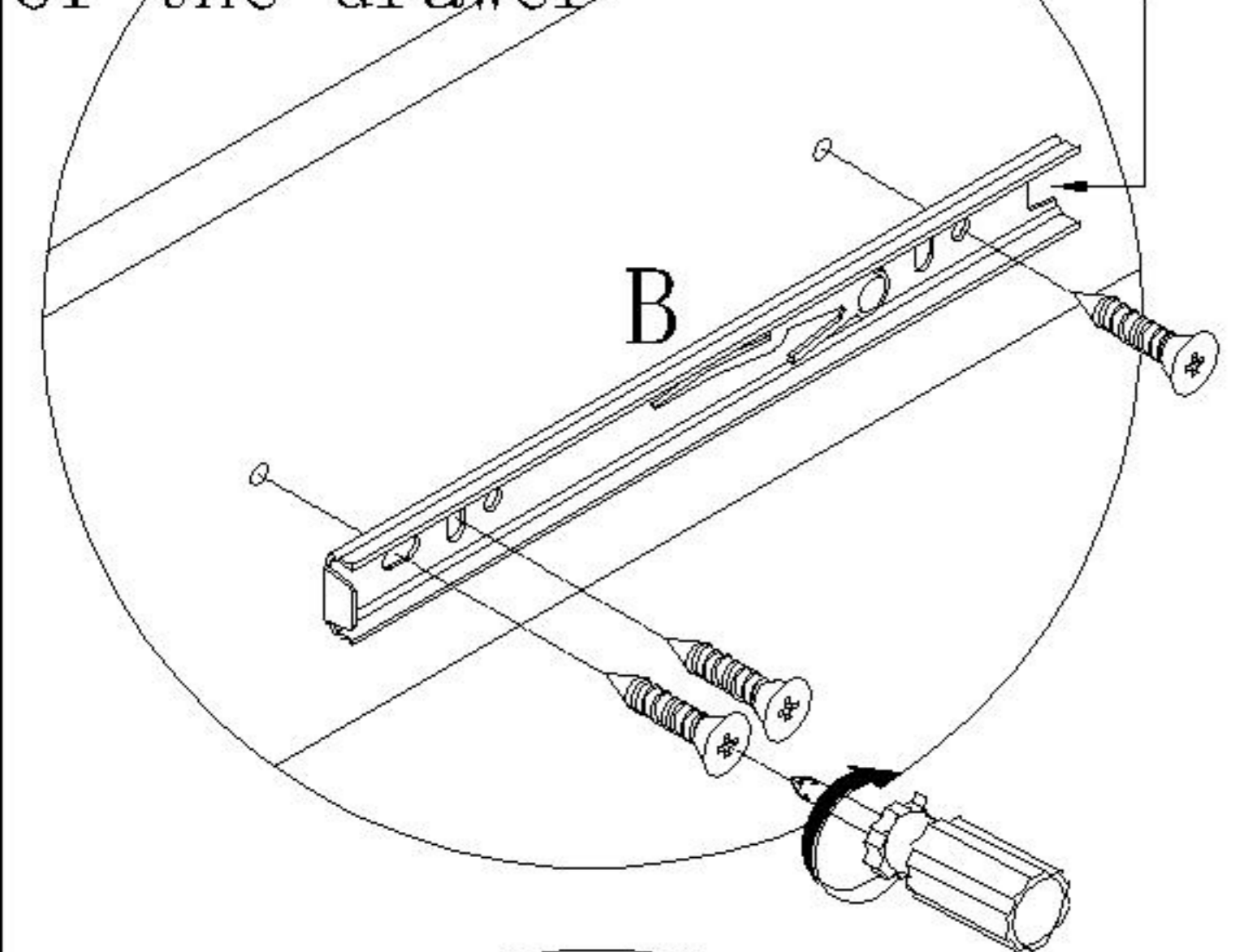
侧板
side board

后after



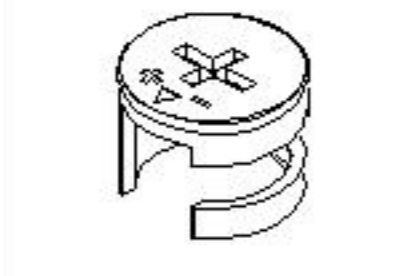
抽屉侧板
sideboard
of the drawer

后after

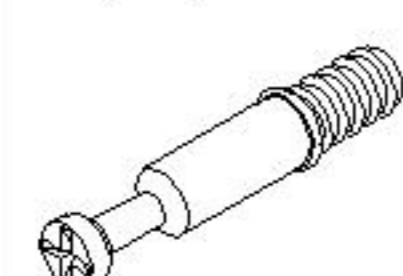


注: 将B对准A后推进去
Note: align B with a
and push it in

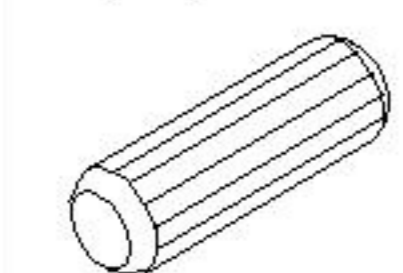
三节滚珠导轨
three-section ball rail



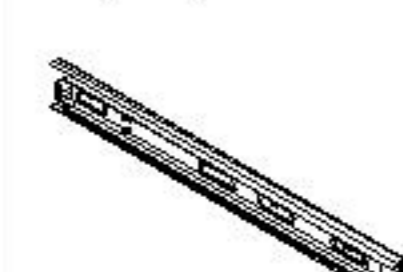
(A)*4



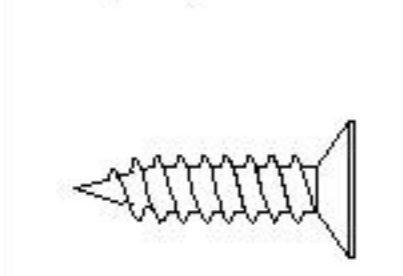
(B)*4



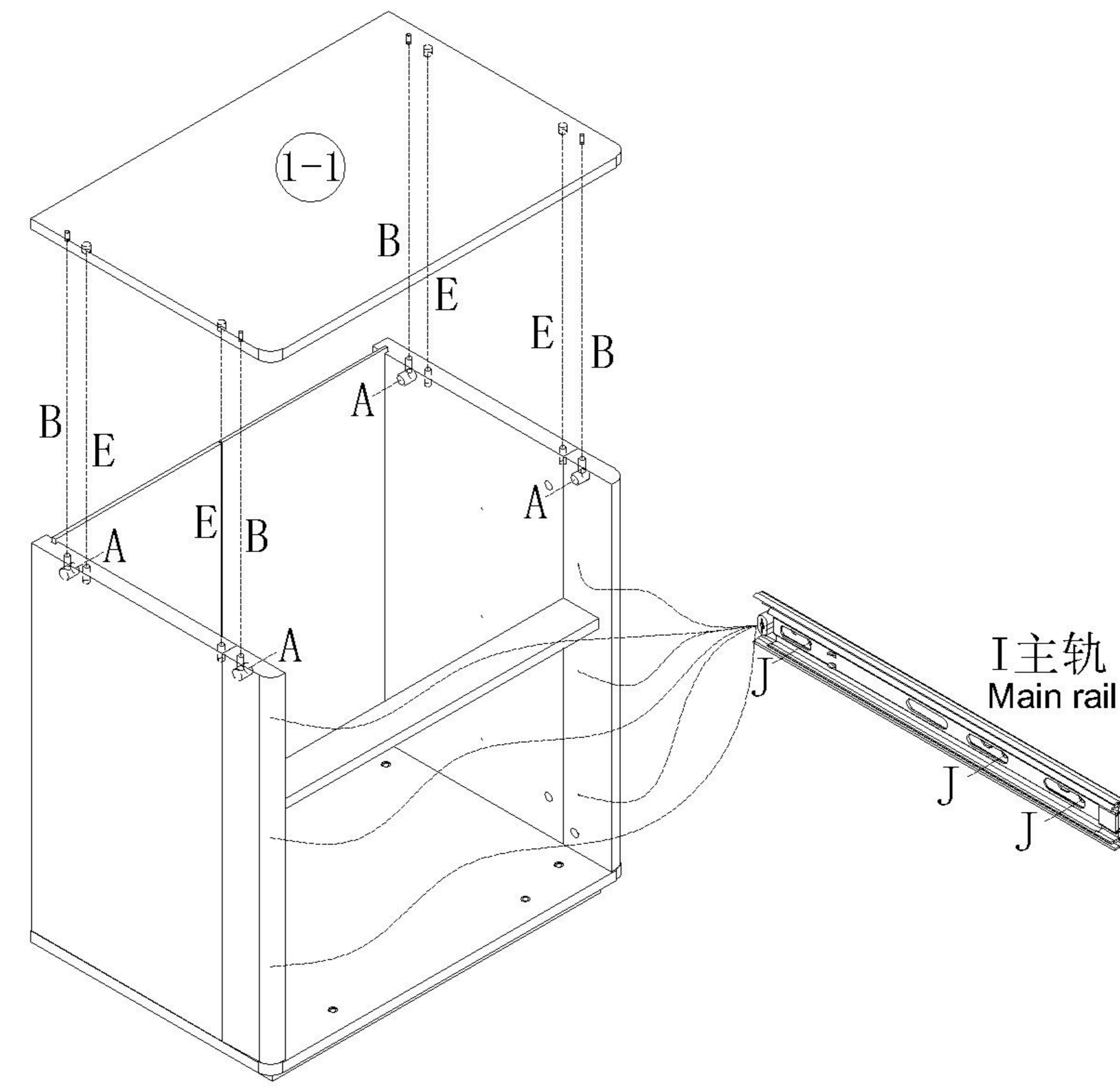
(E)*4



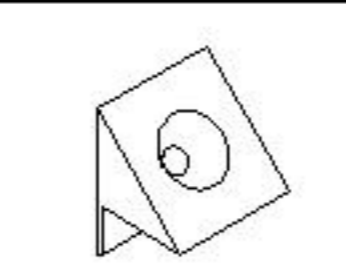
(I)*3



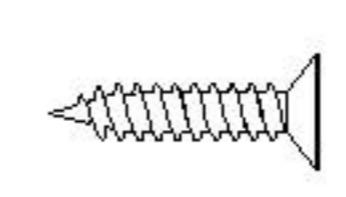
(J)*18



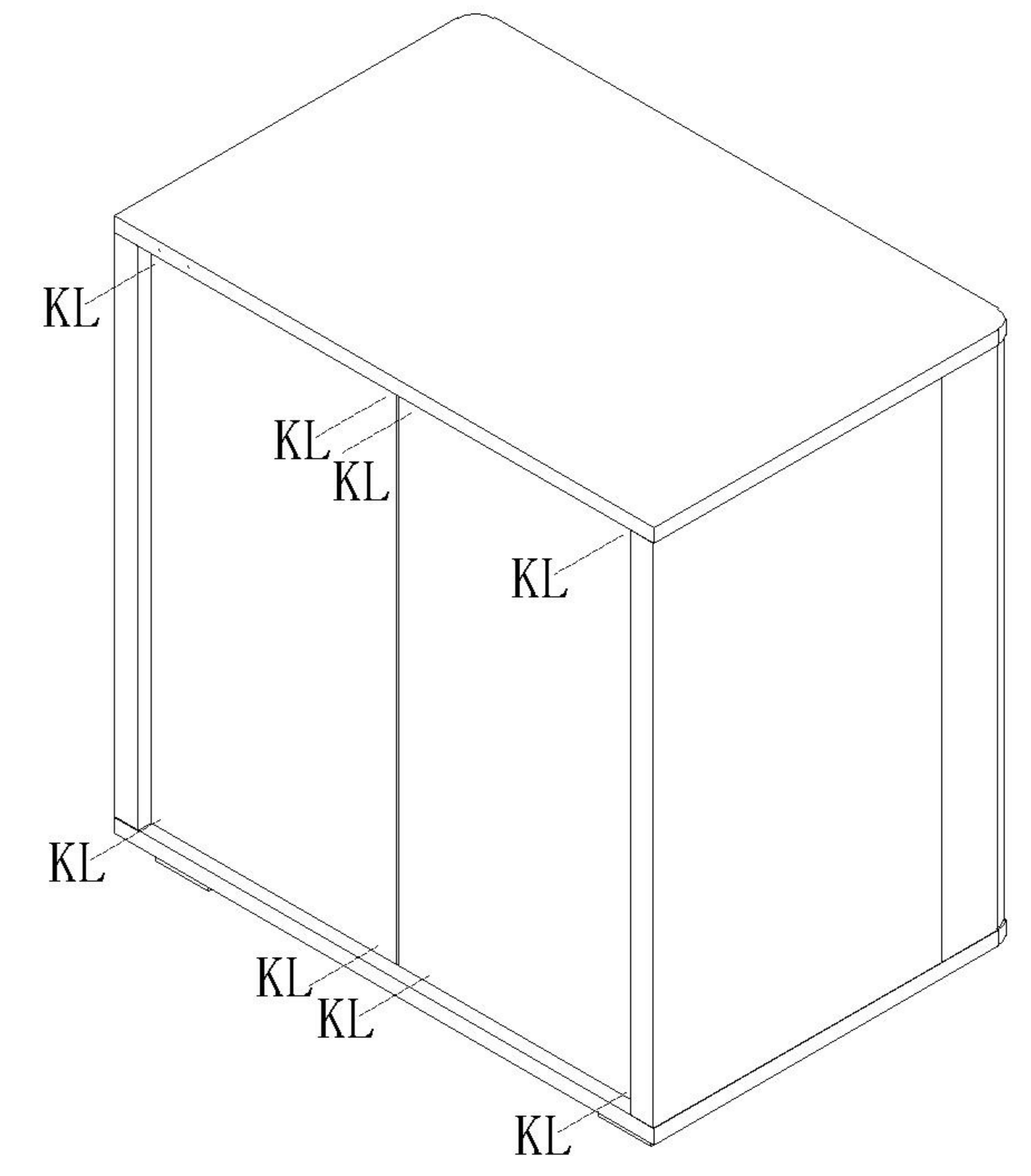
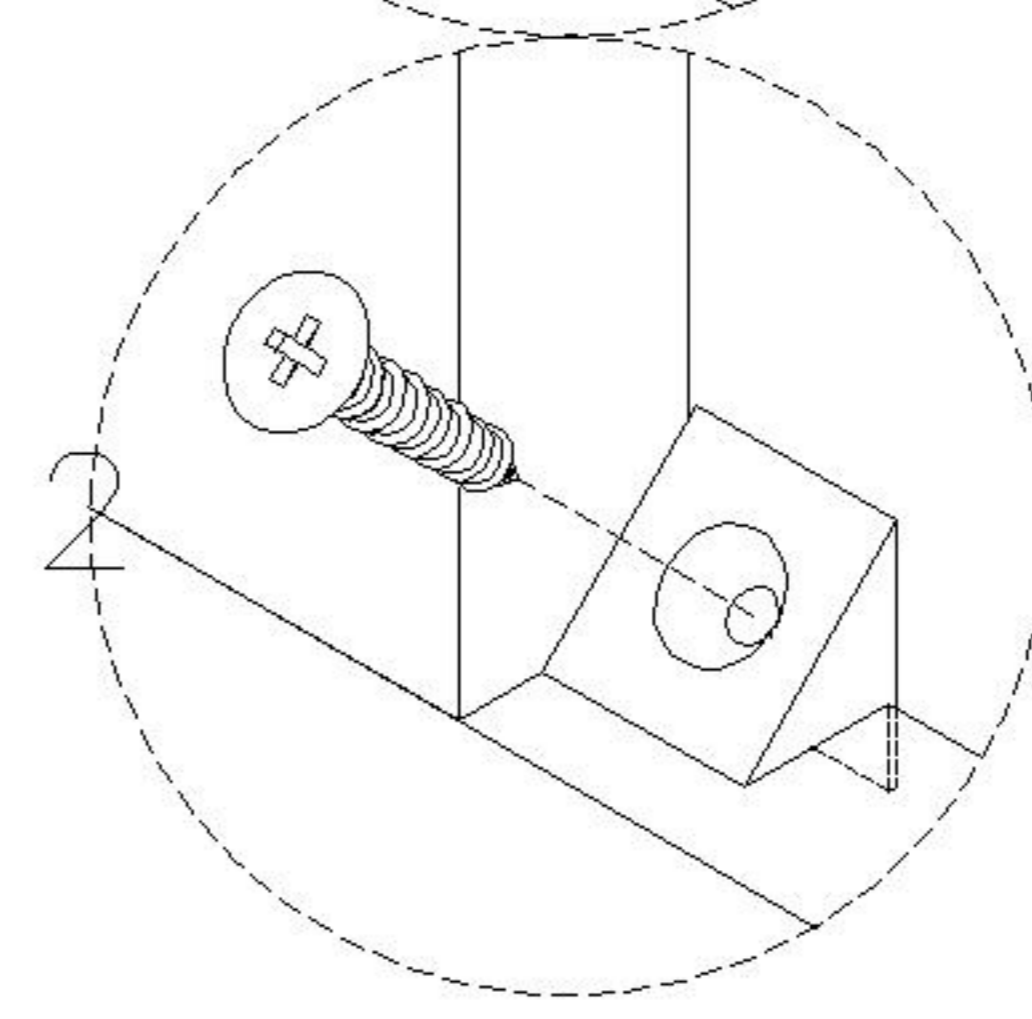
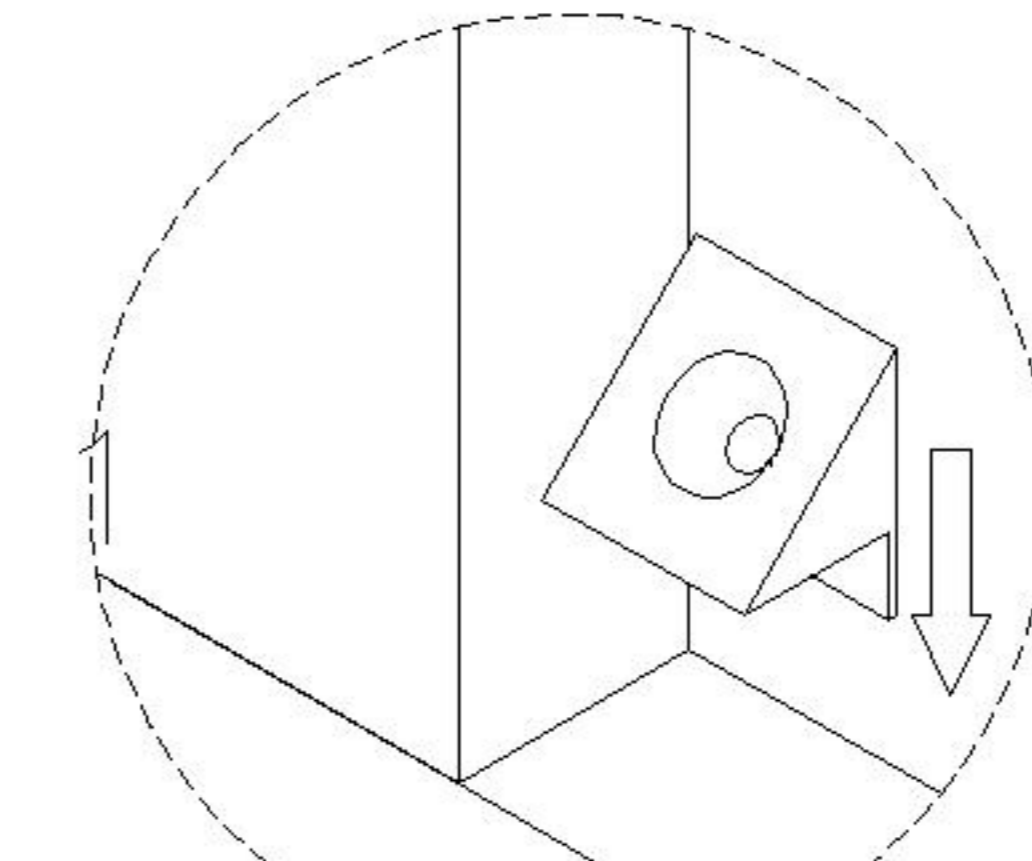
9



(K)*8

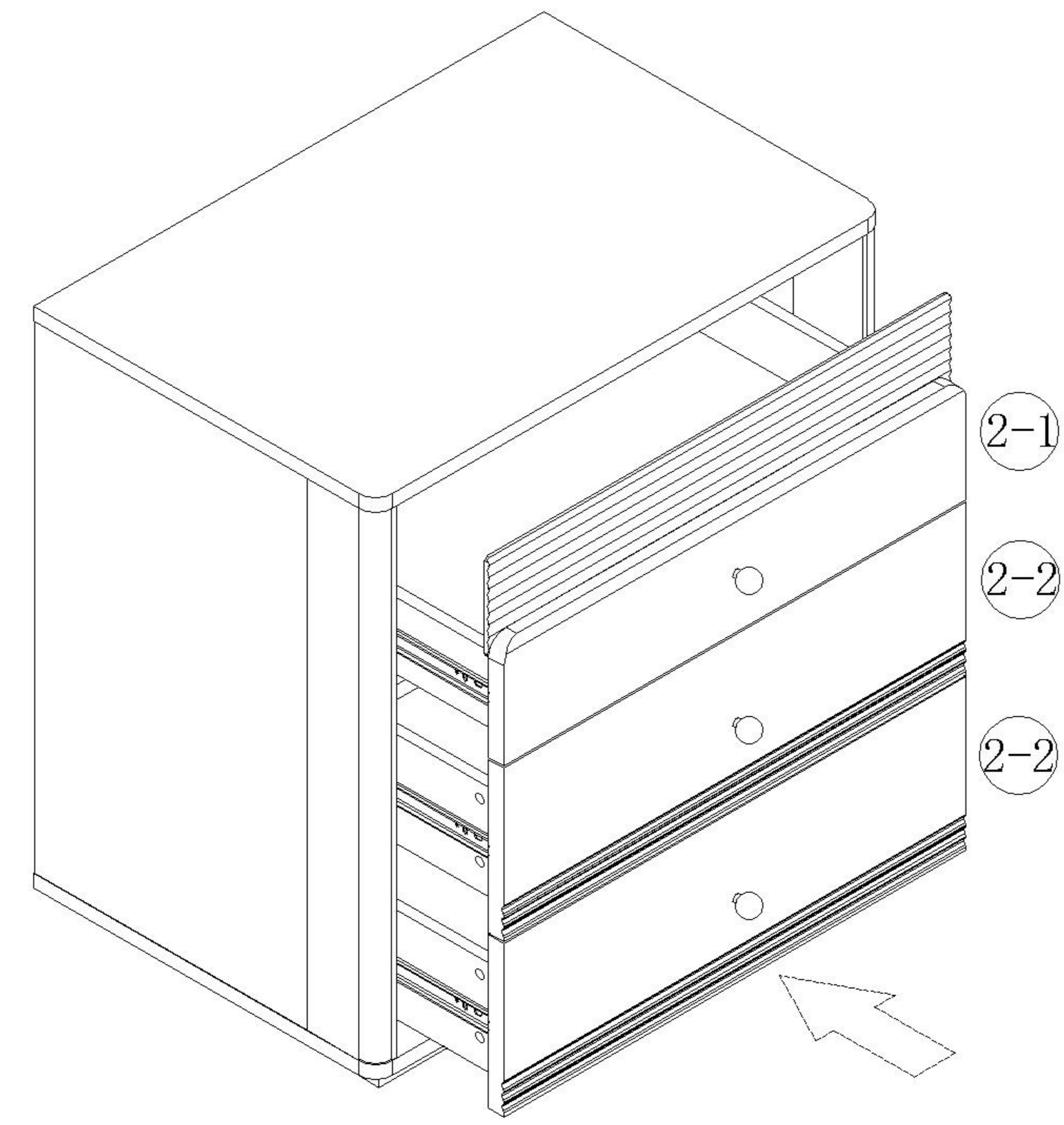


(L)*8

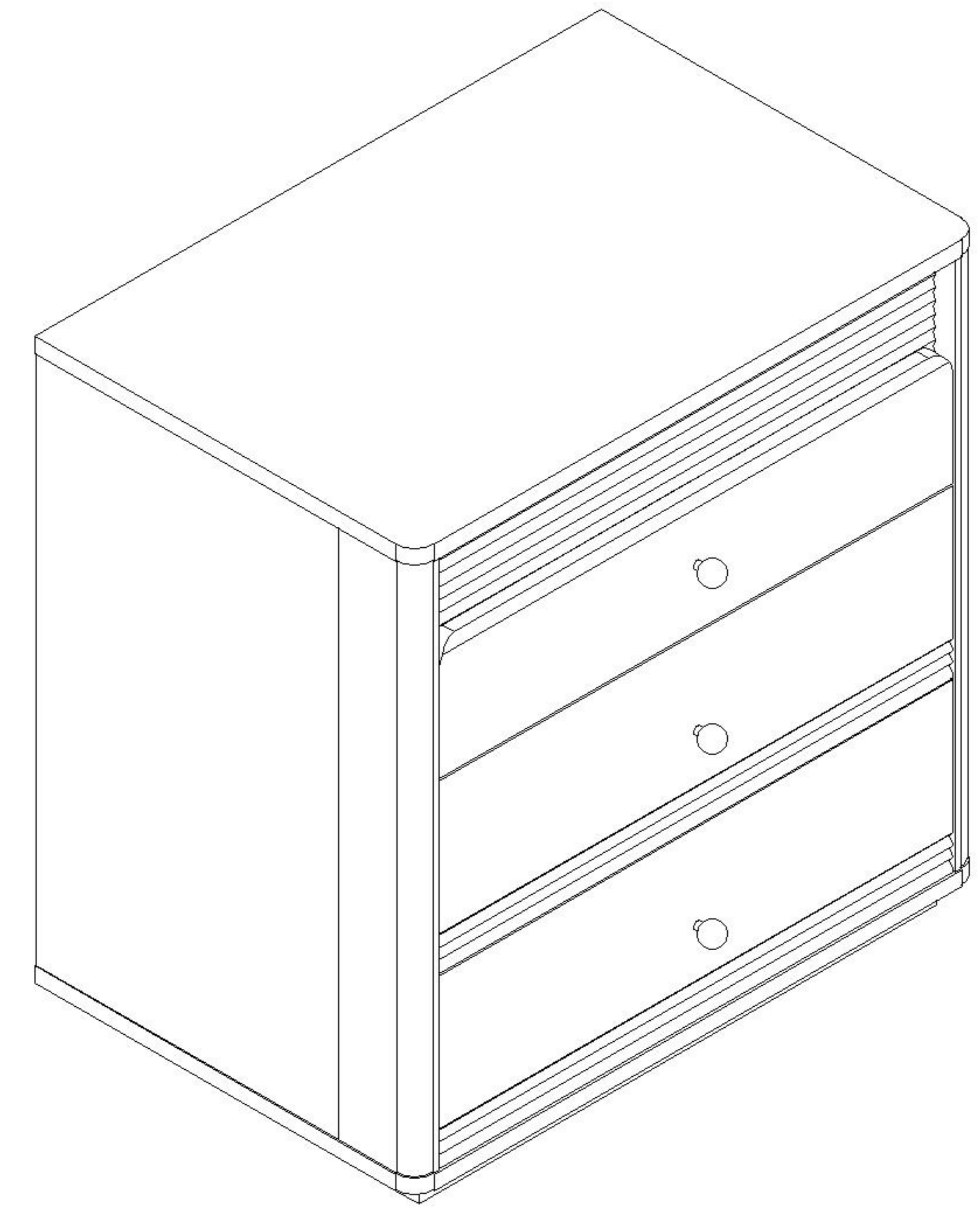


10

11

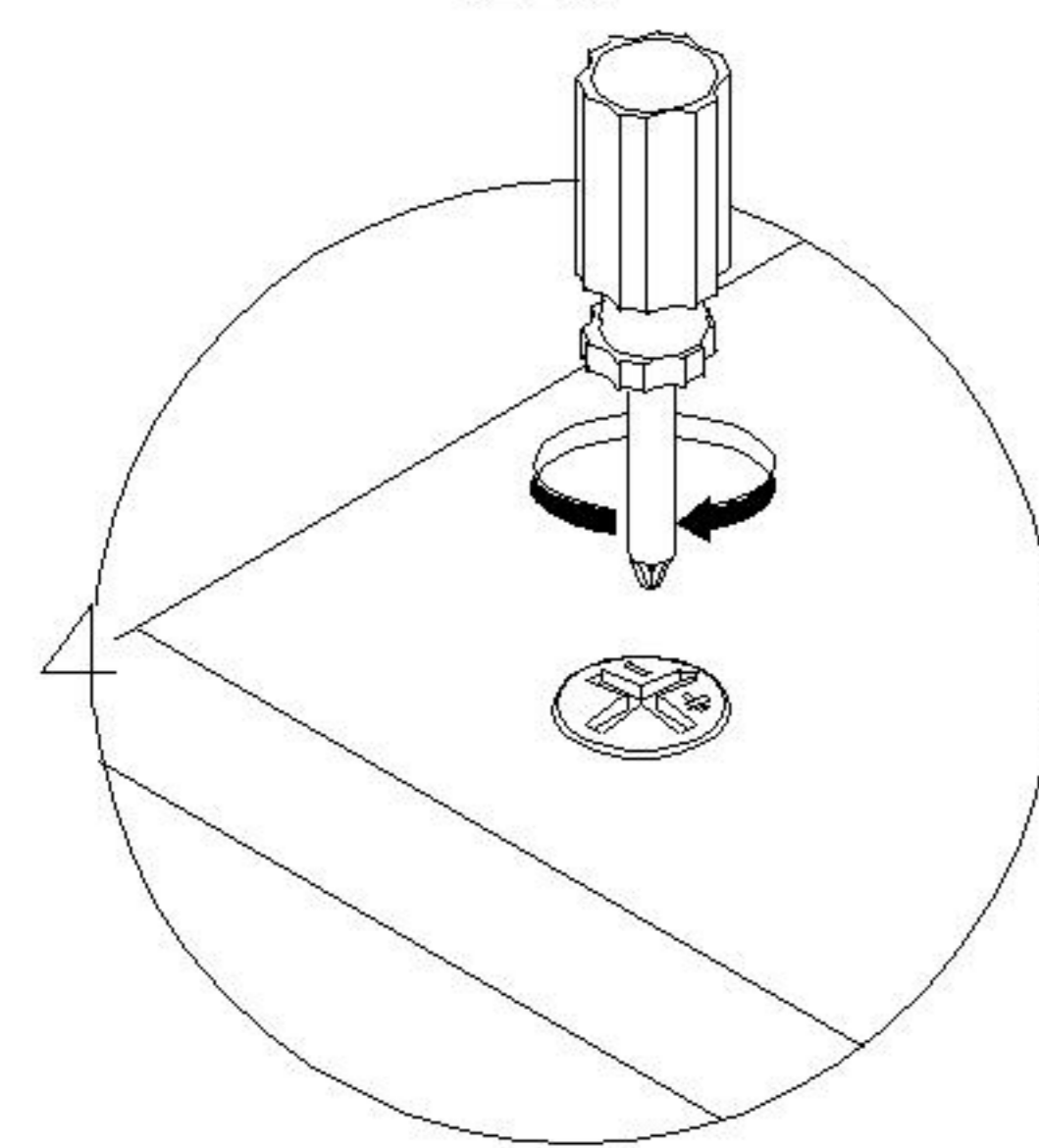
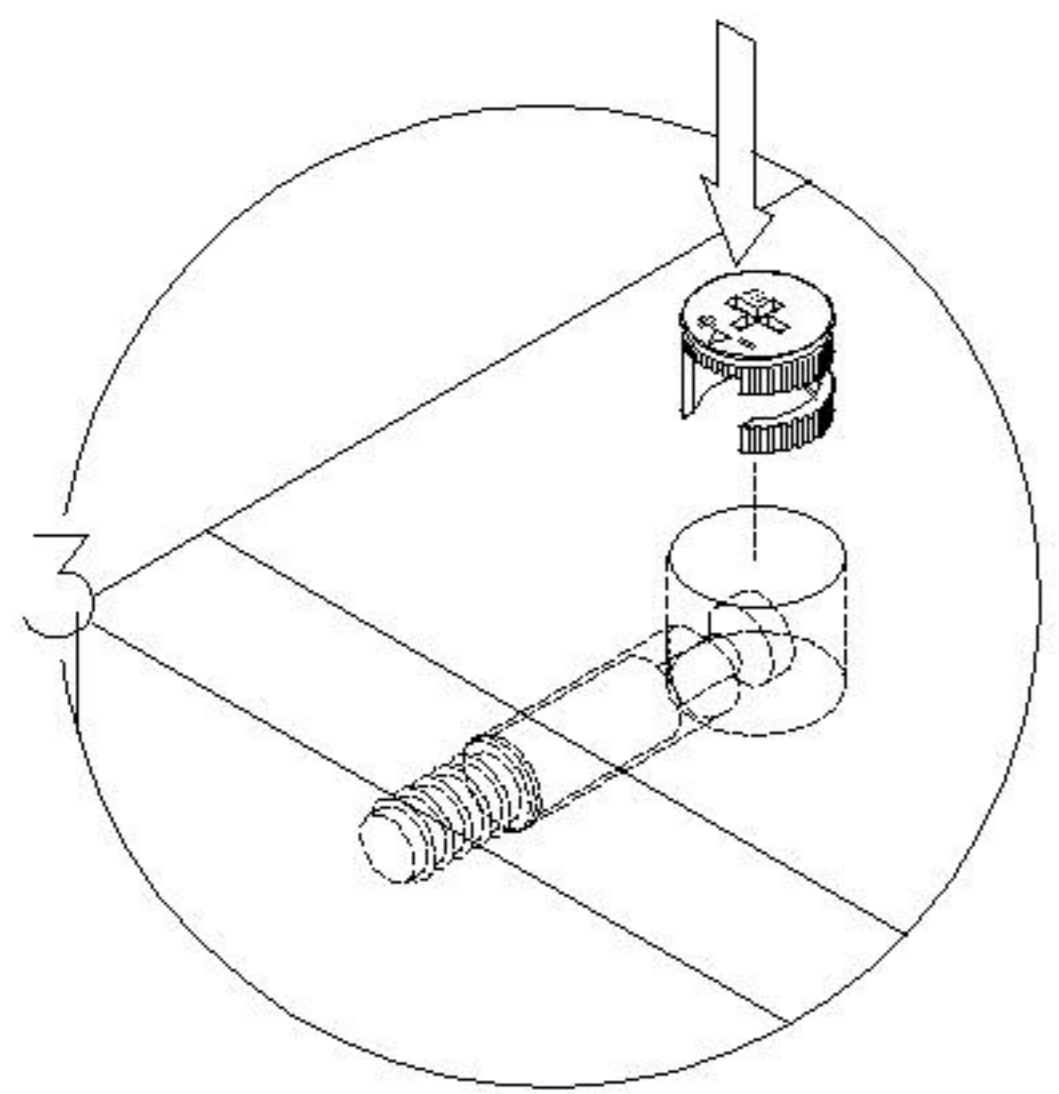
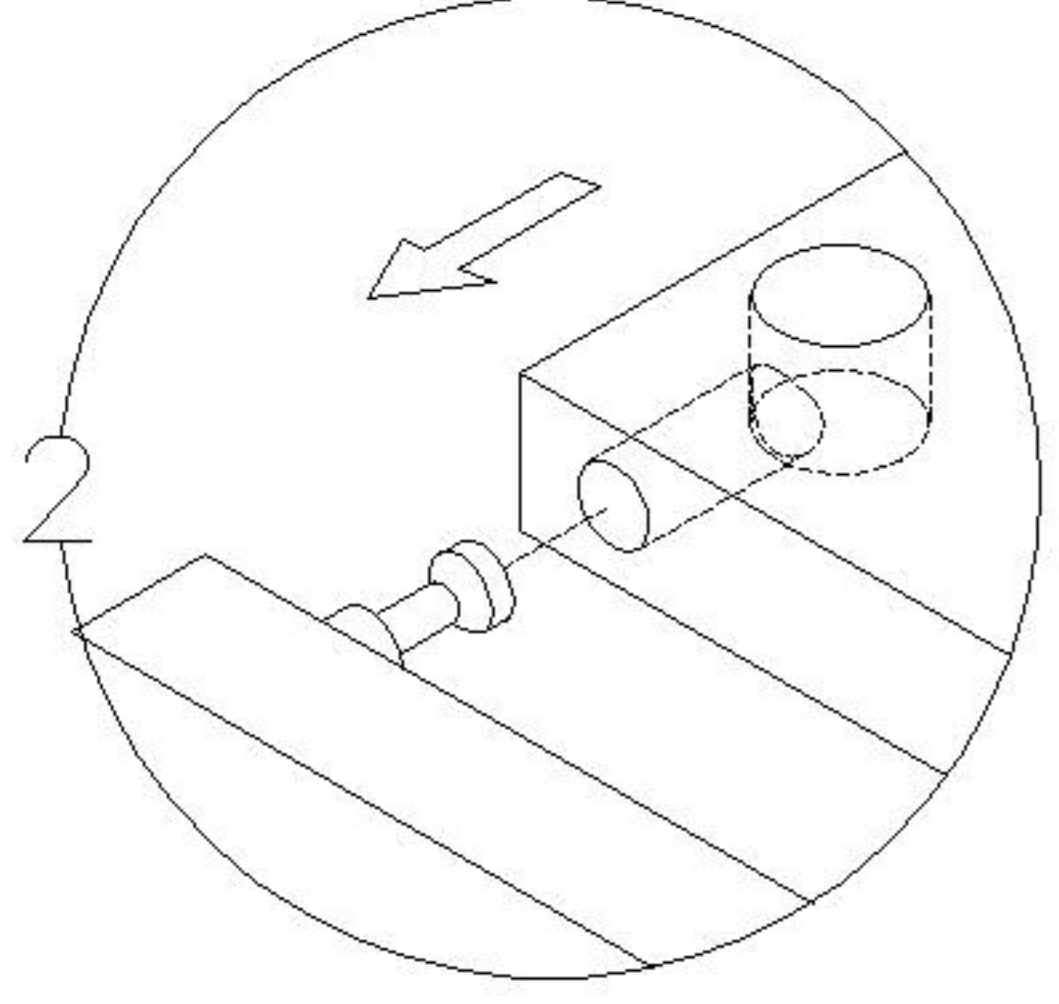
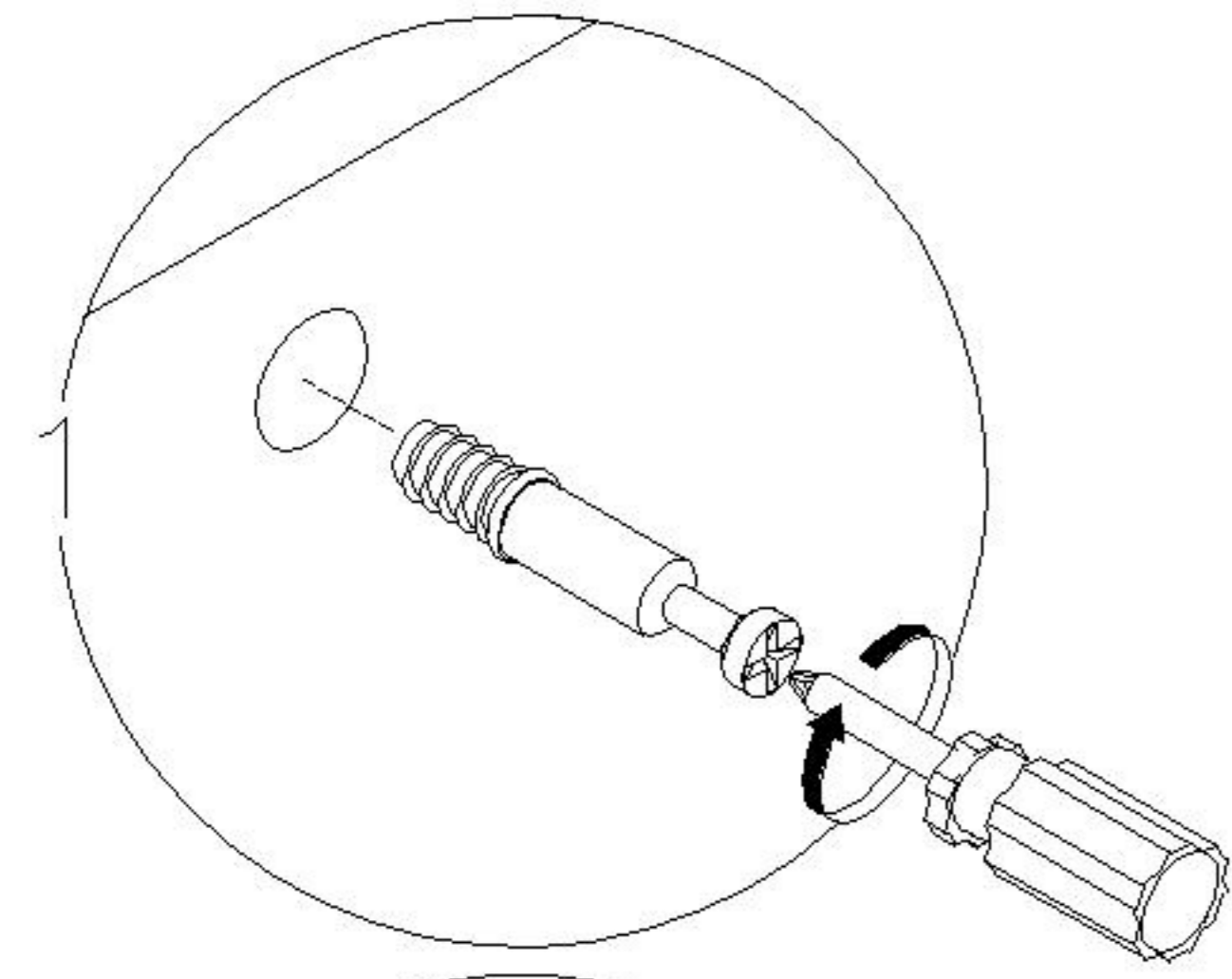


12

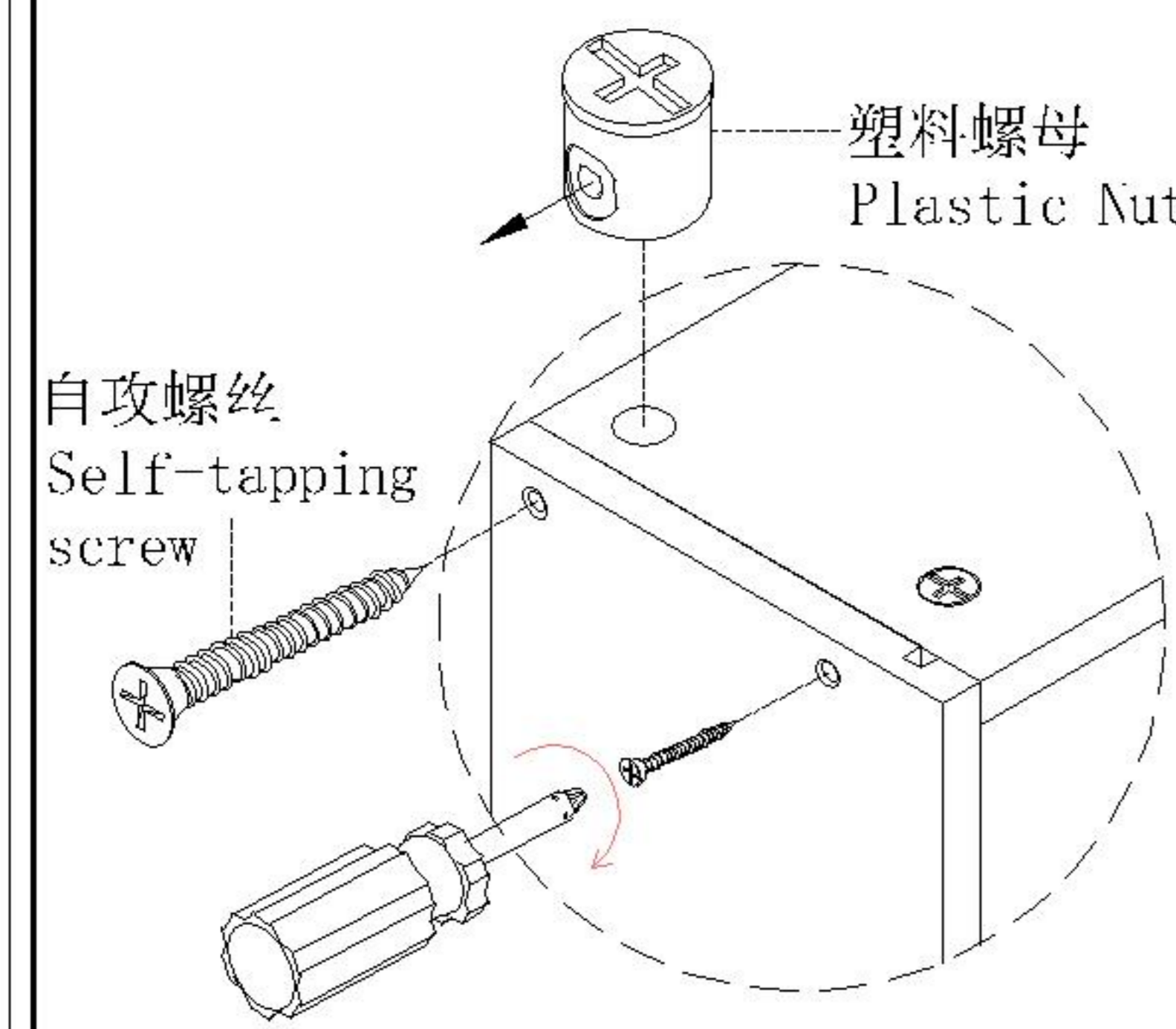


TU2C-A

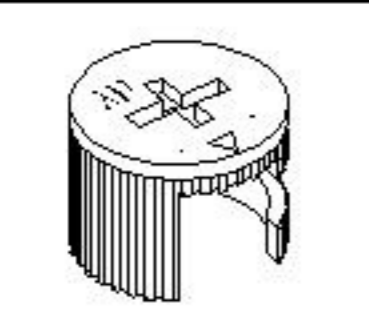
安装方法/
Installation method



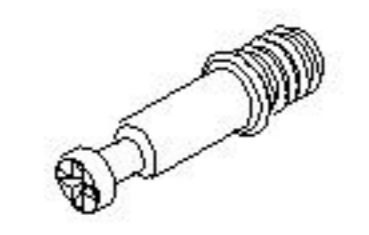
小二合一/two-in-one



塑料螺母
Plastic Nut



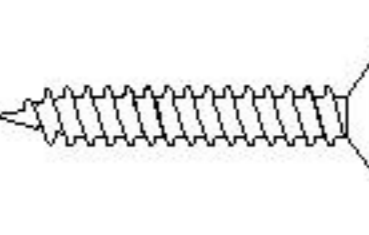
(C) *8



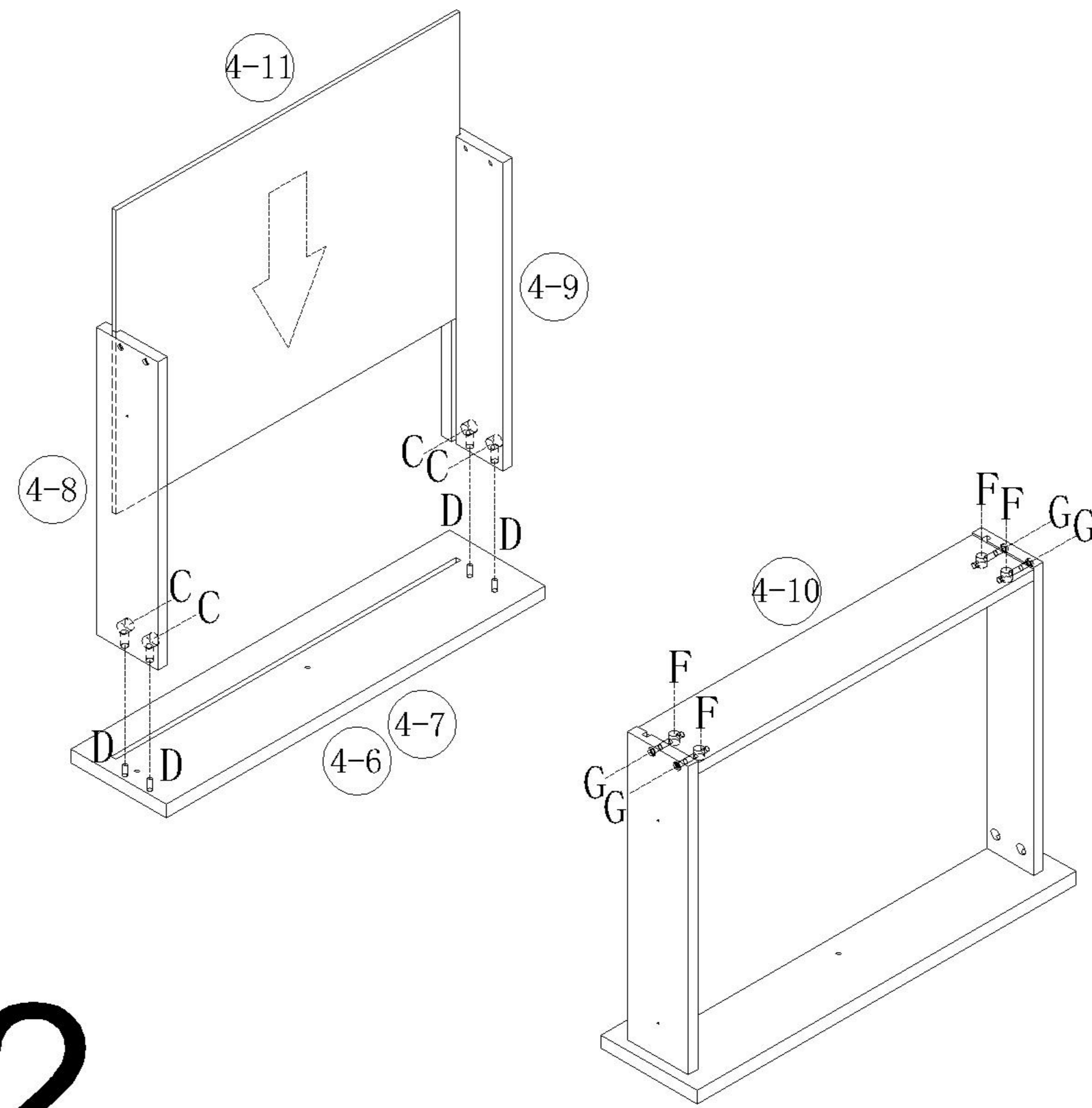
(D) *8



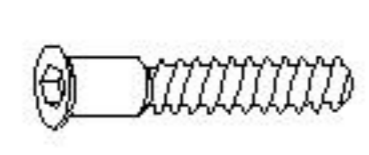
(F) *8



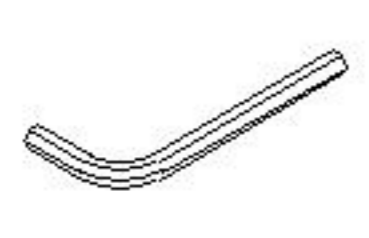
(G) *8



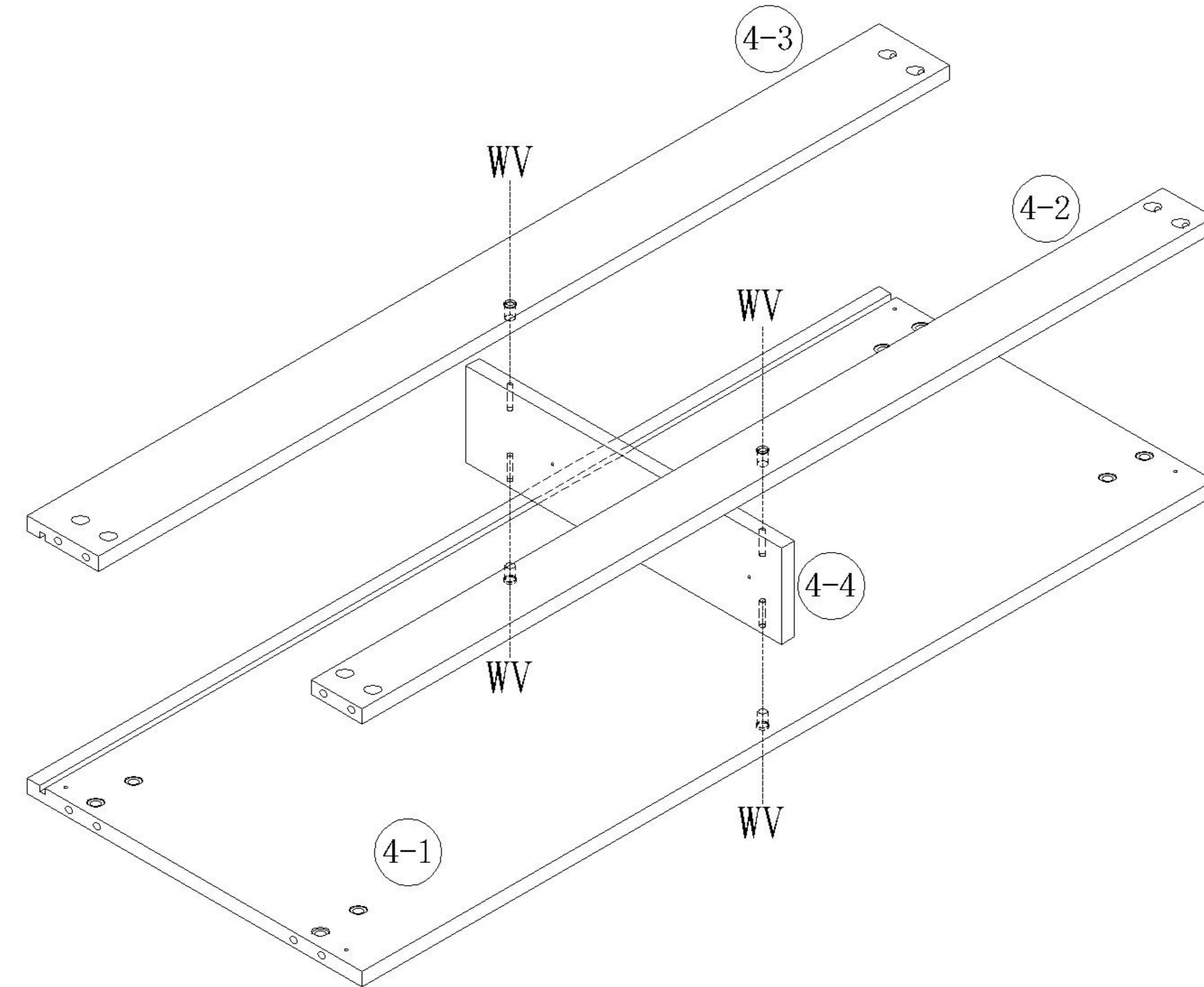
X2



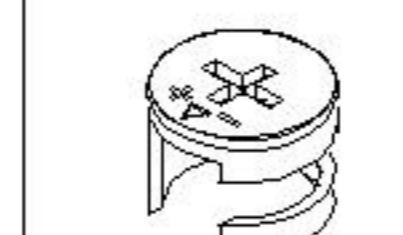
(V) *4



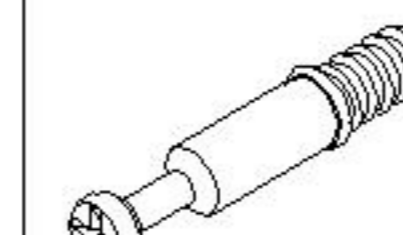
(W) *1



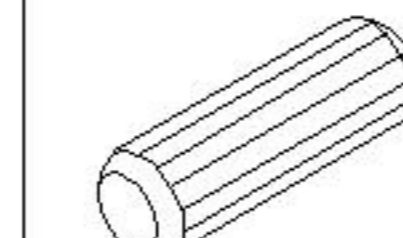
15



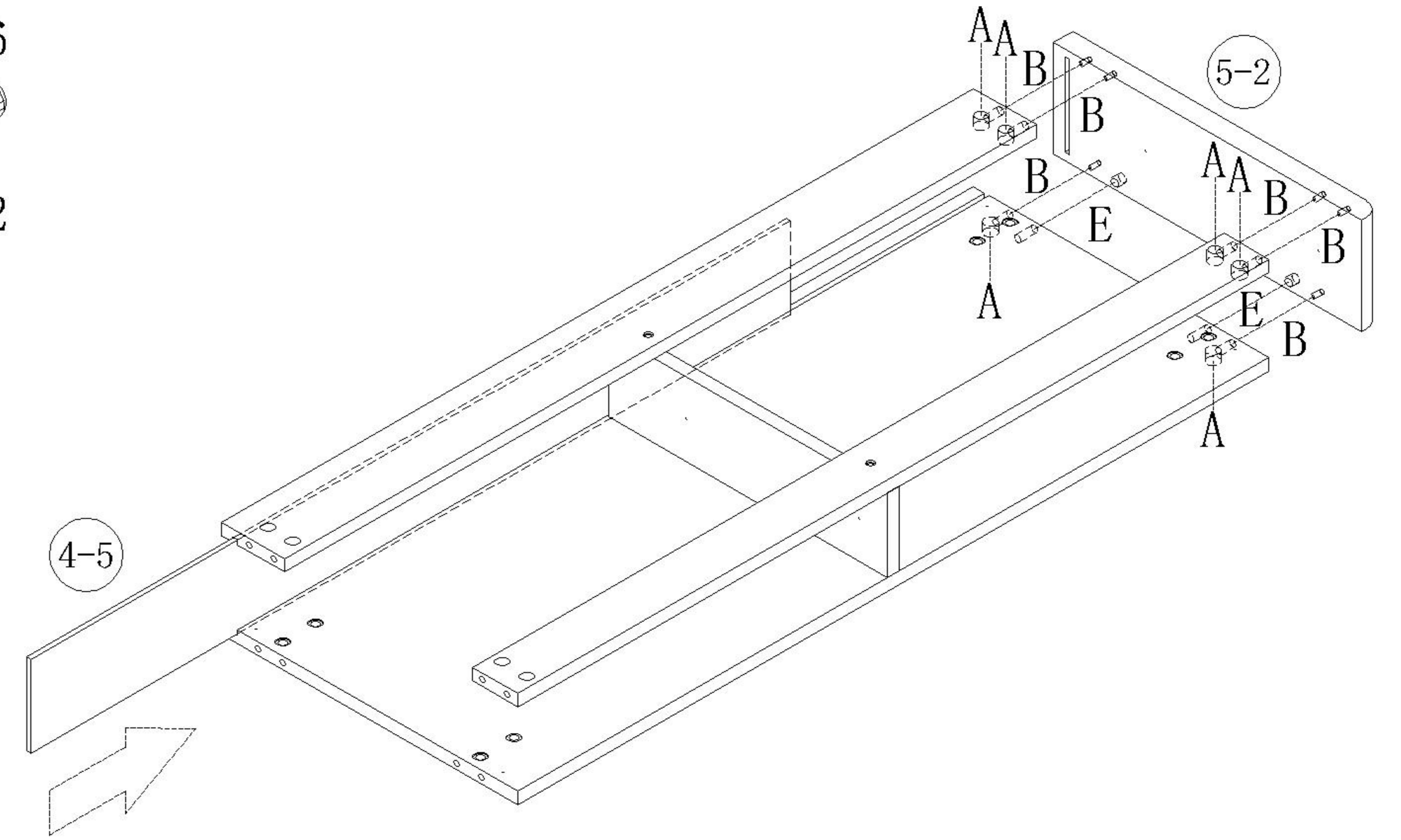
(A) *6



(B) *6

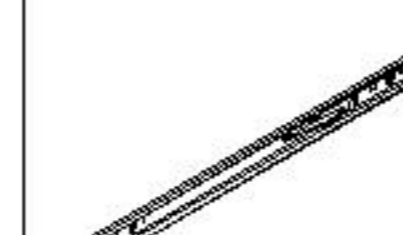


(E) *2

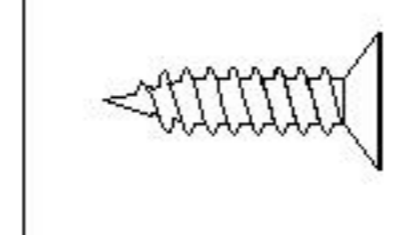


16

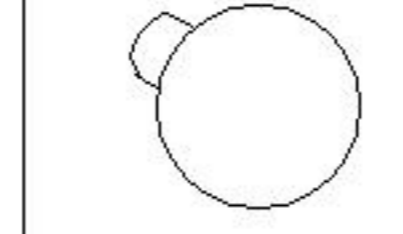
13



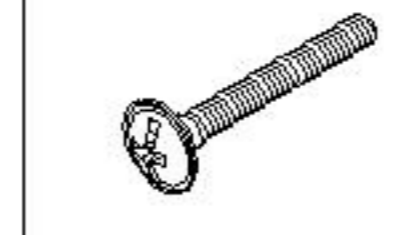
(T) *2



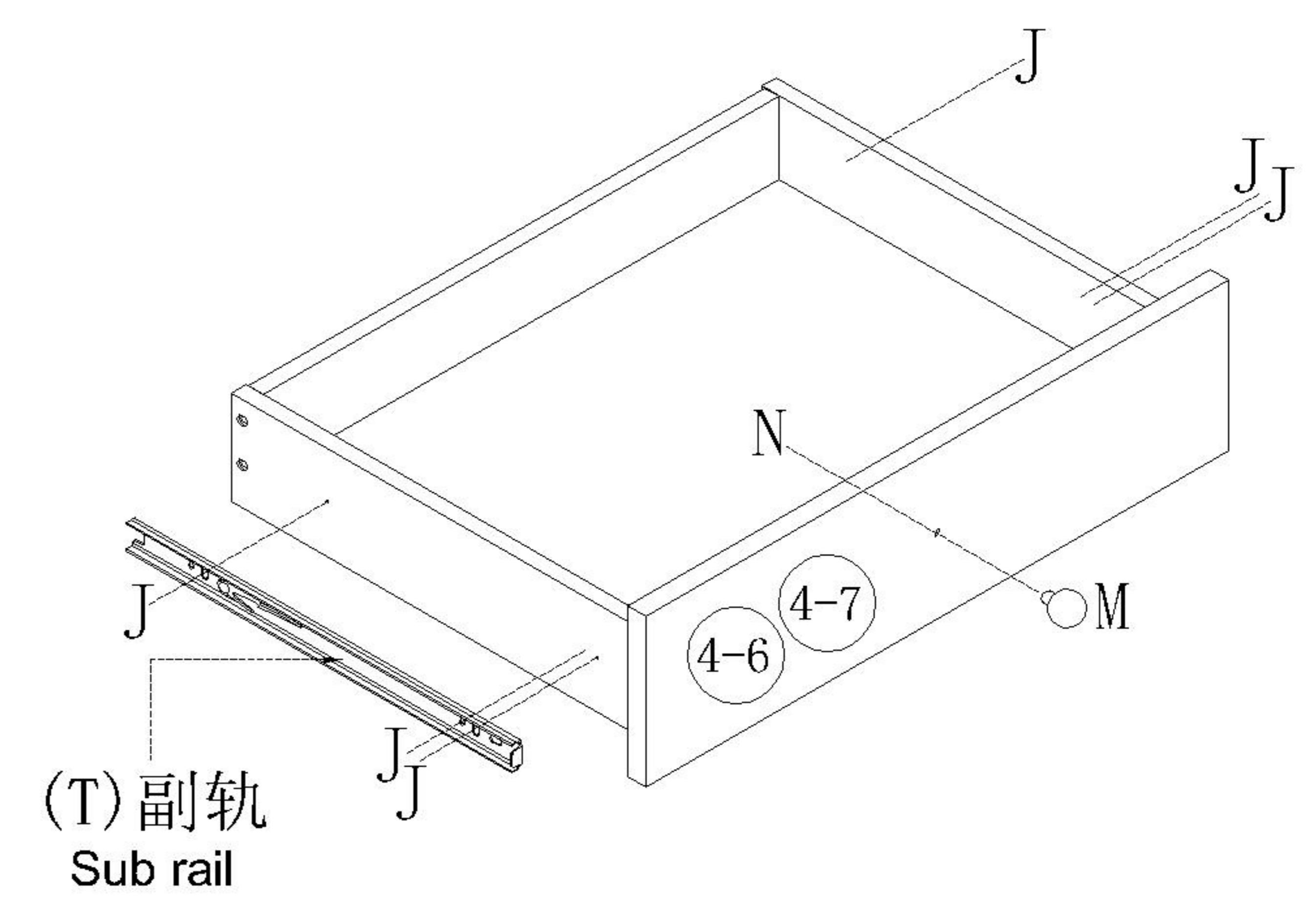
(J) *12



(M) *2



(N) *2

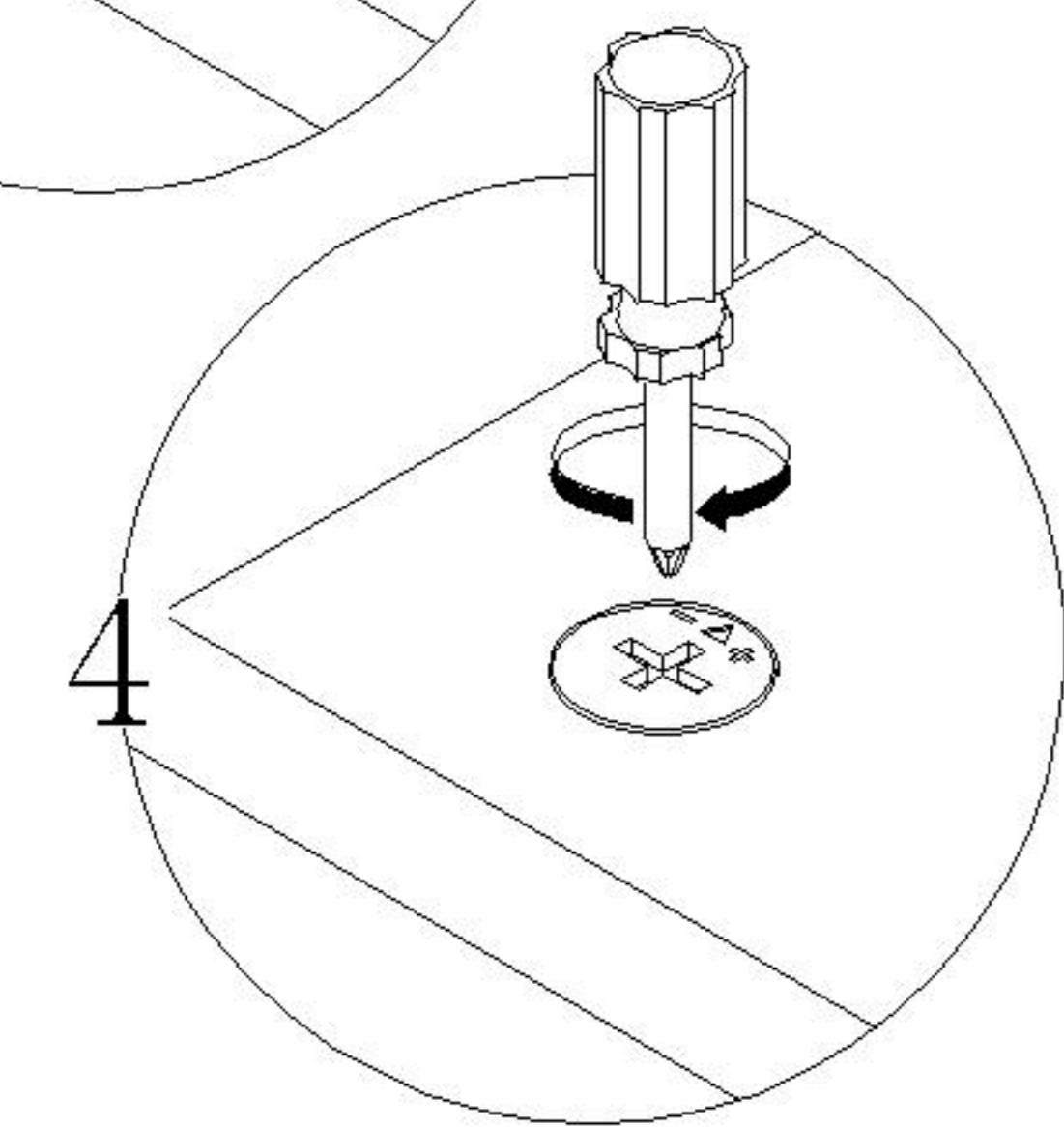
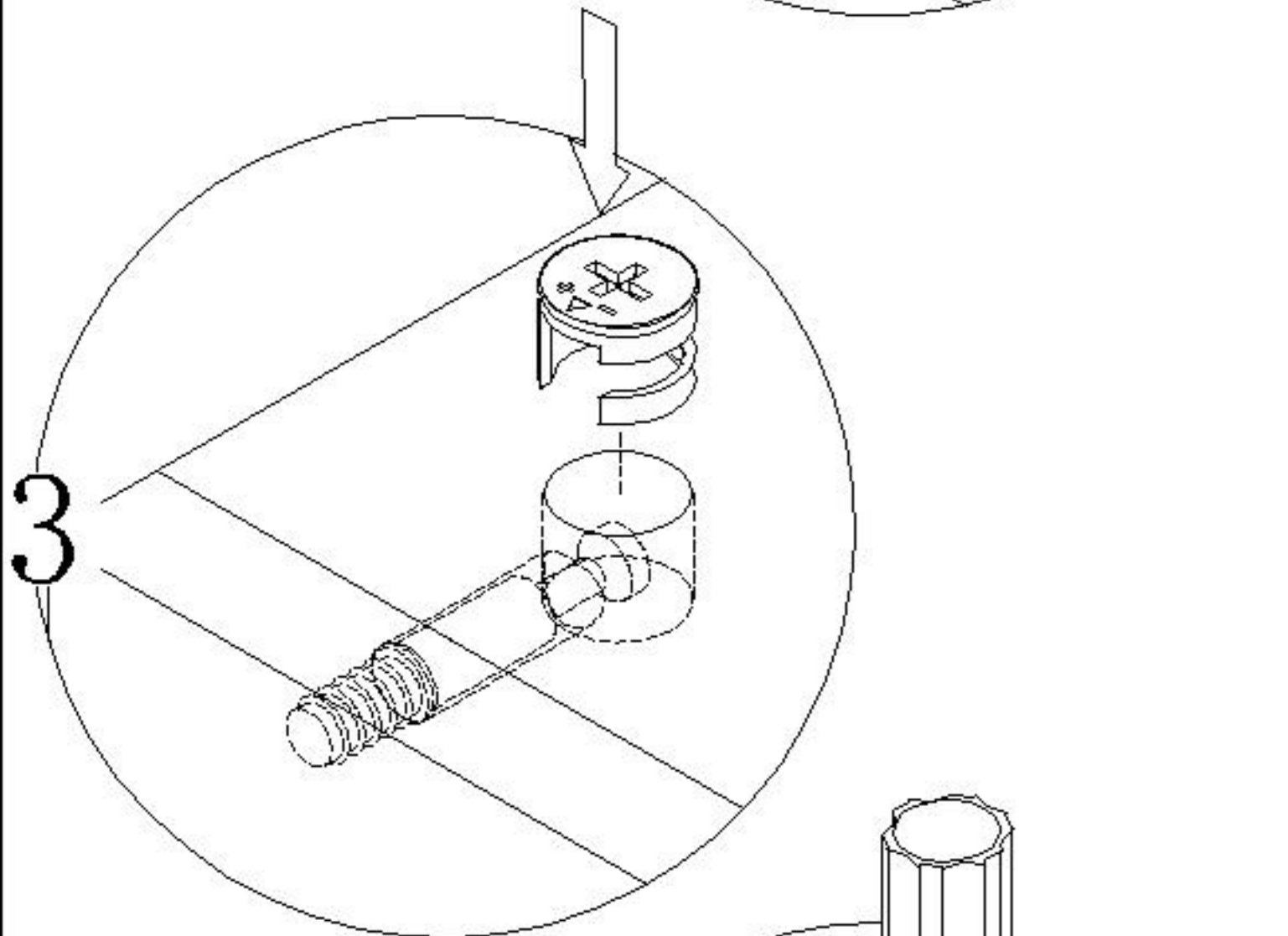
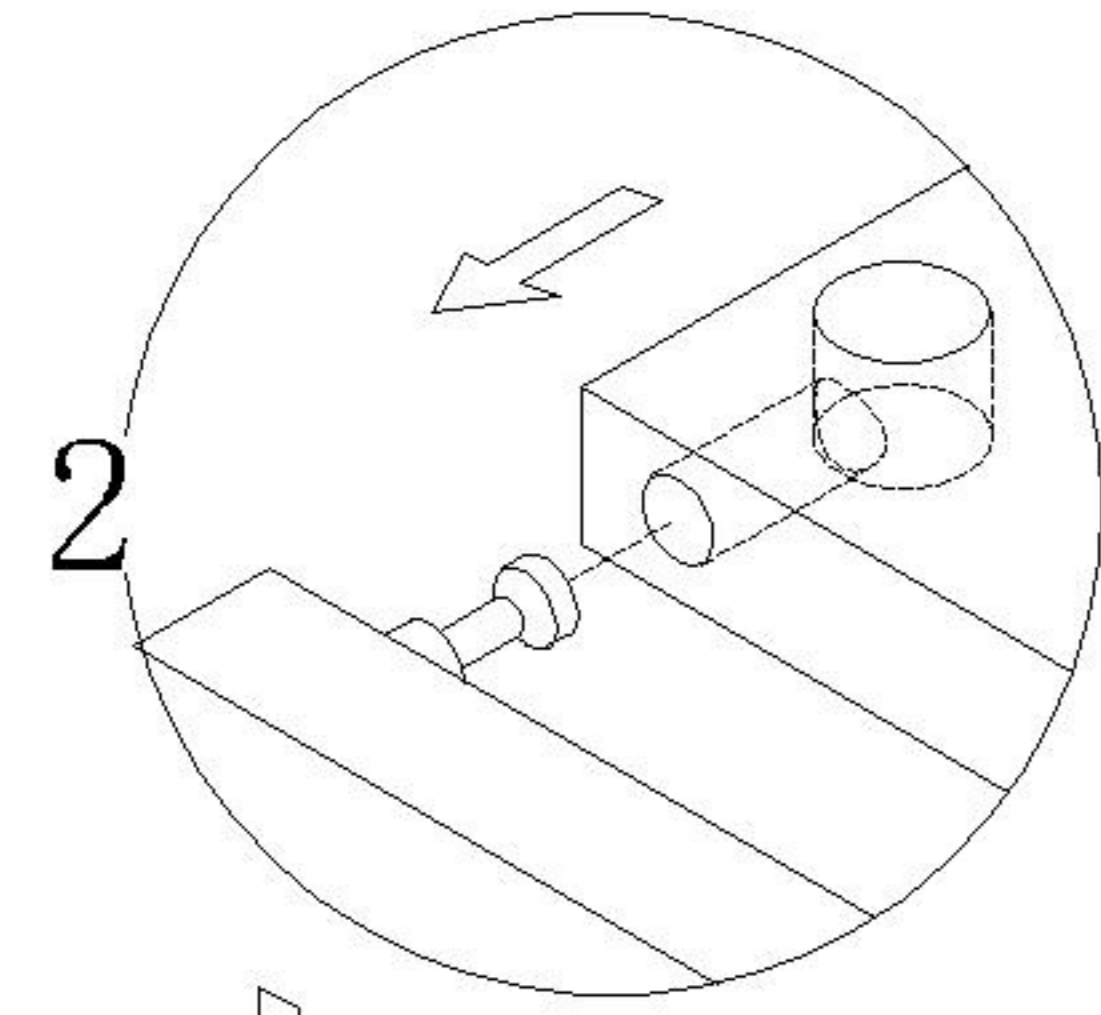
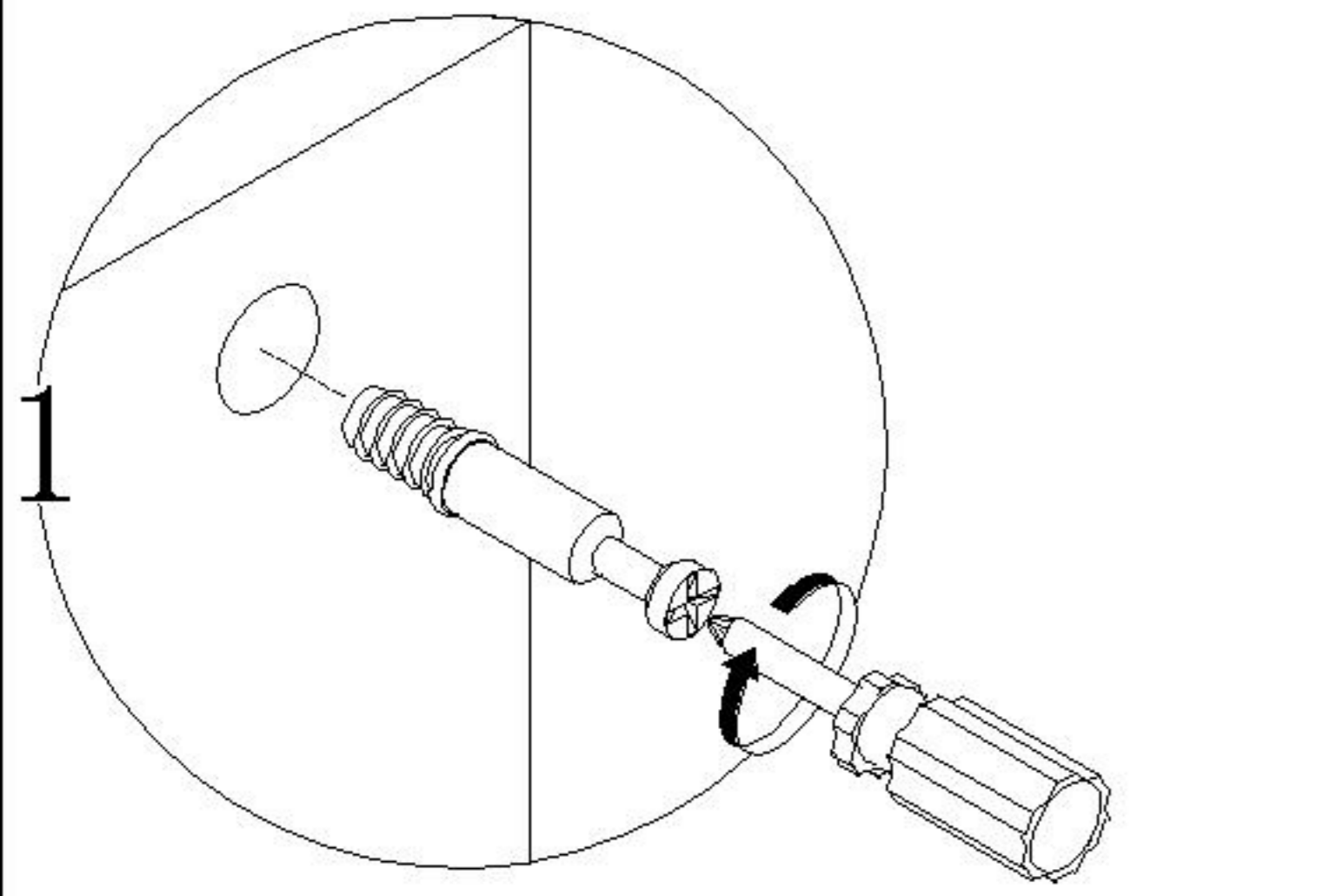


X2

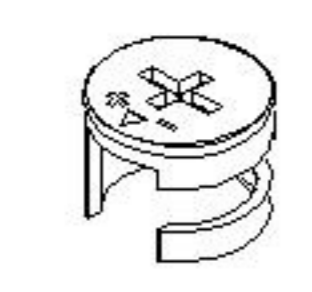
14

TU2C-A

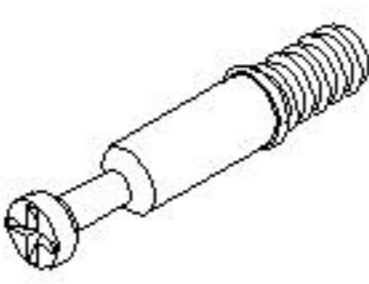
安装方法/
Installation method



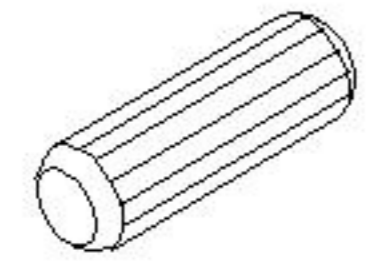
大二合一
two-in-one



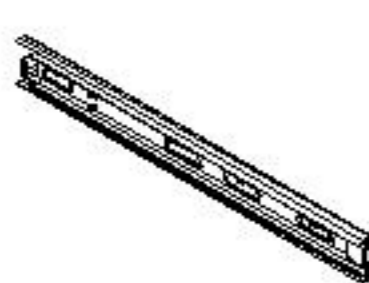
(A)*6



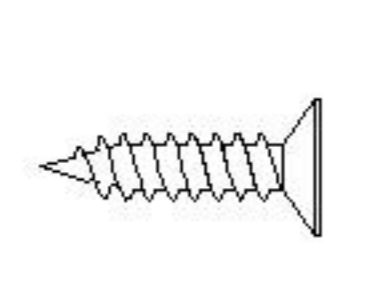
(B)*6



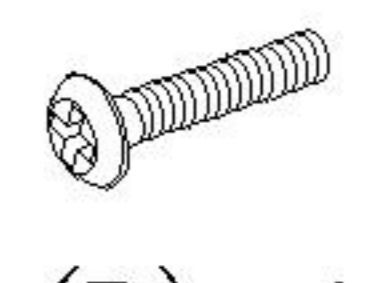
(E)*2



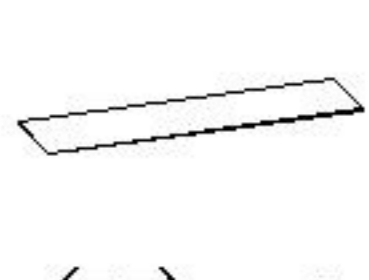
(T)*2



(J)*12

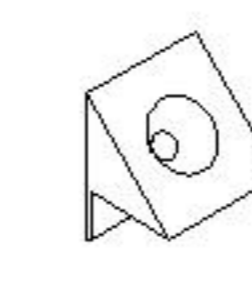


(P)*4

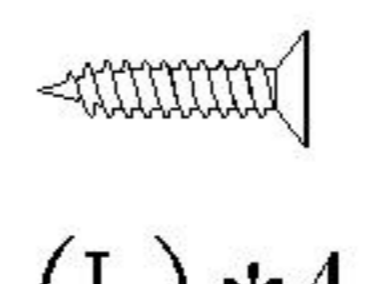


(U)*2

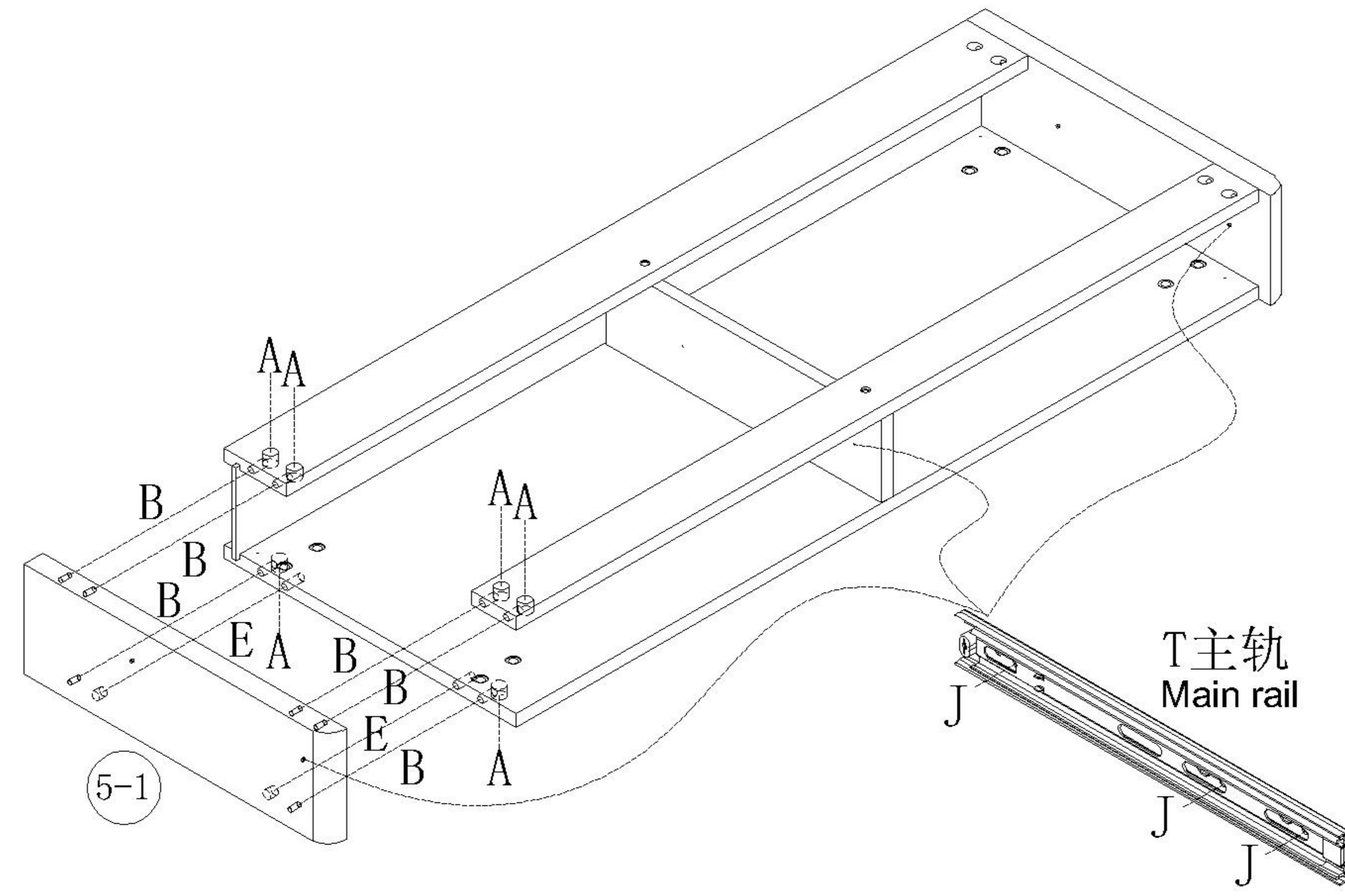
17



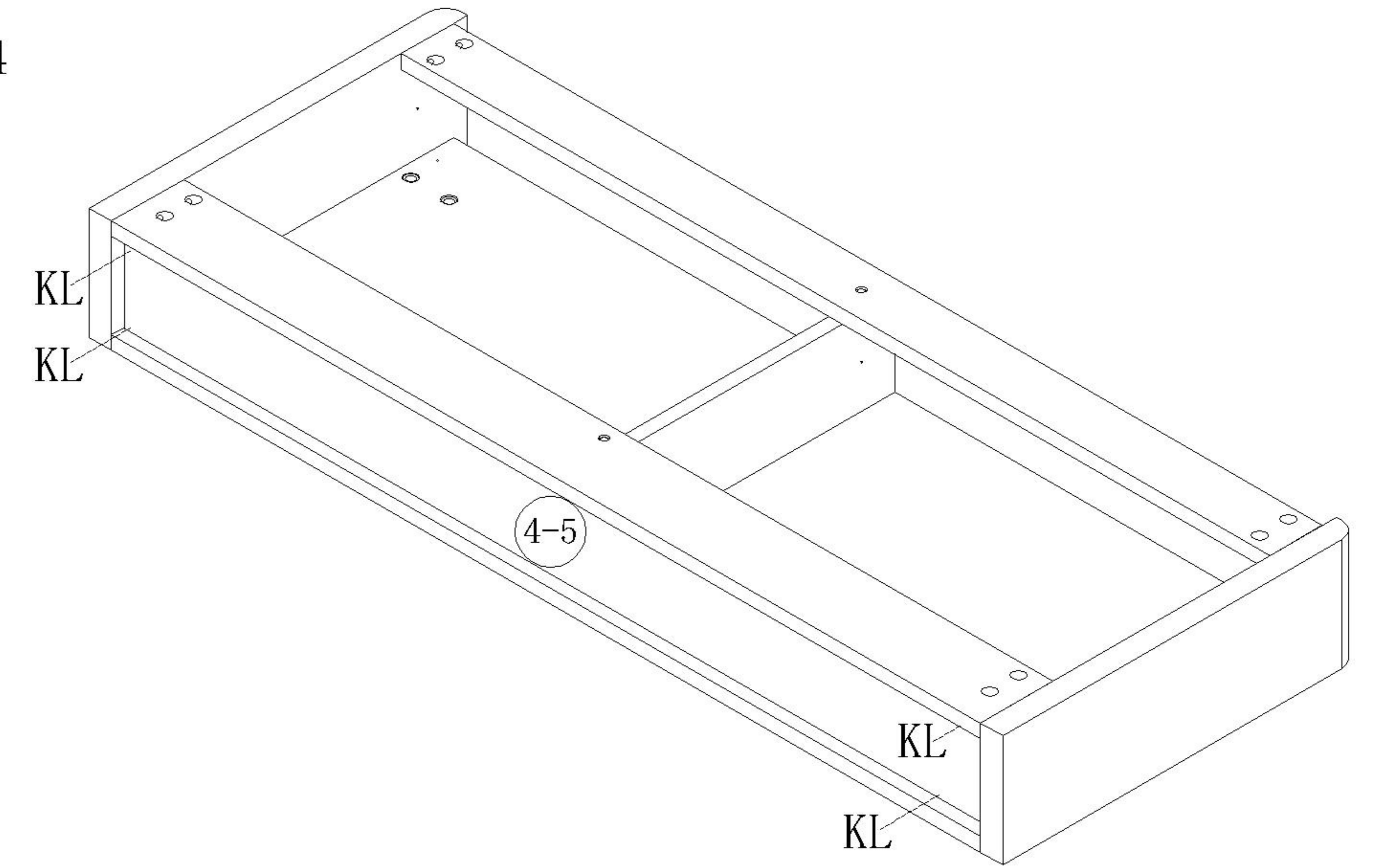
(K)*4



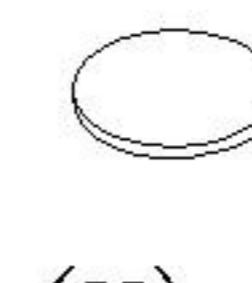
(L)*4



18



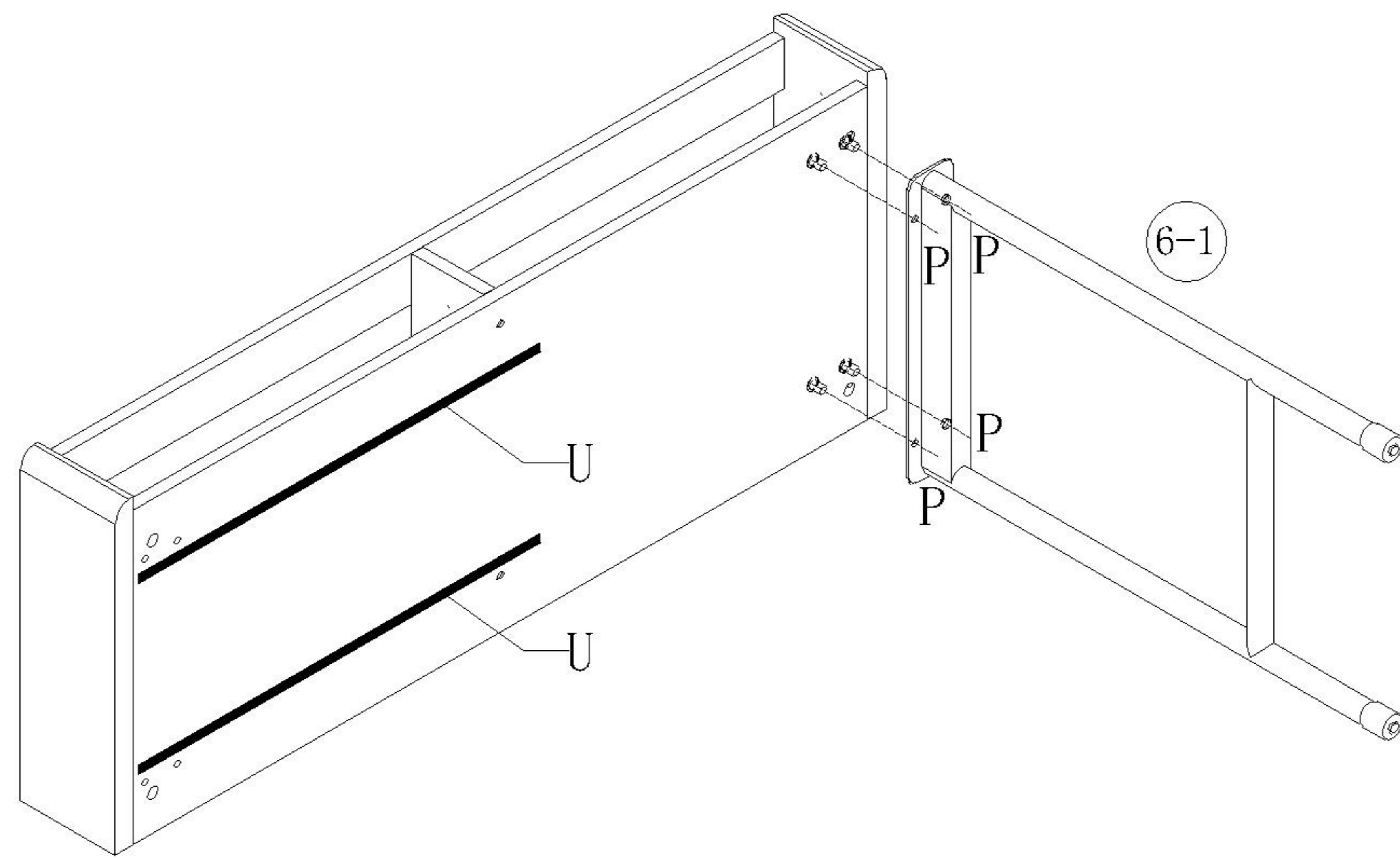
19



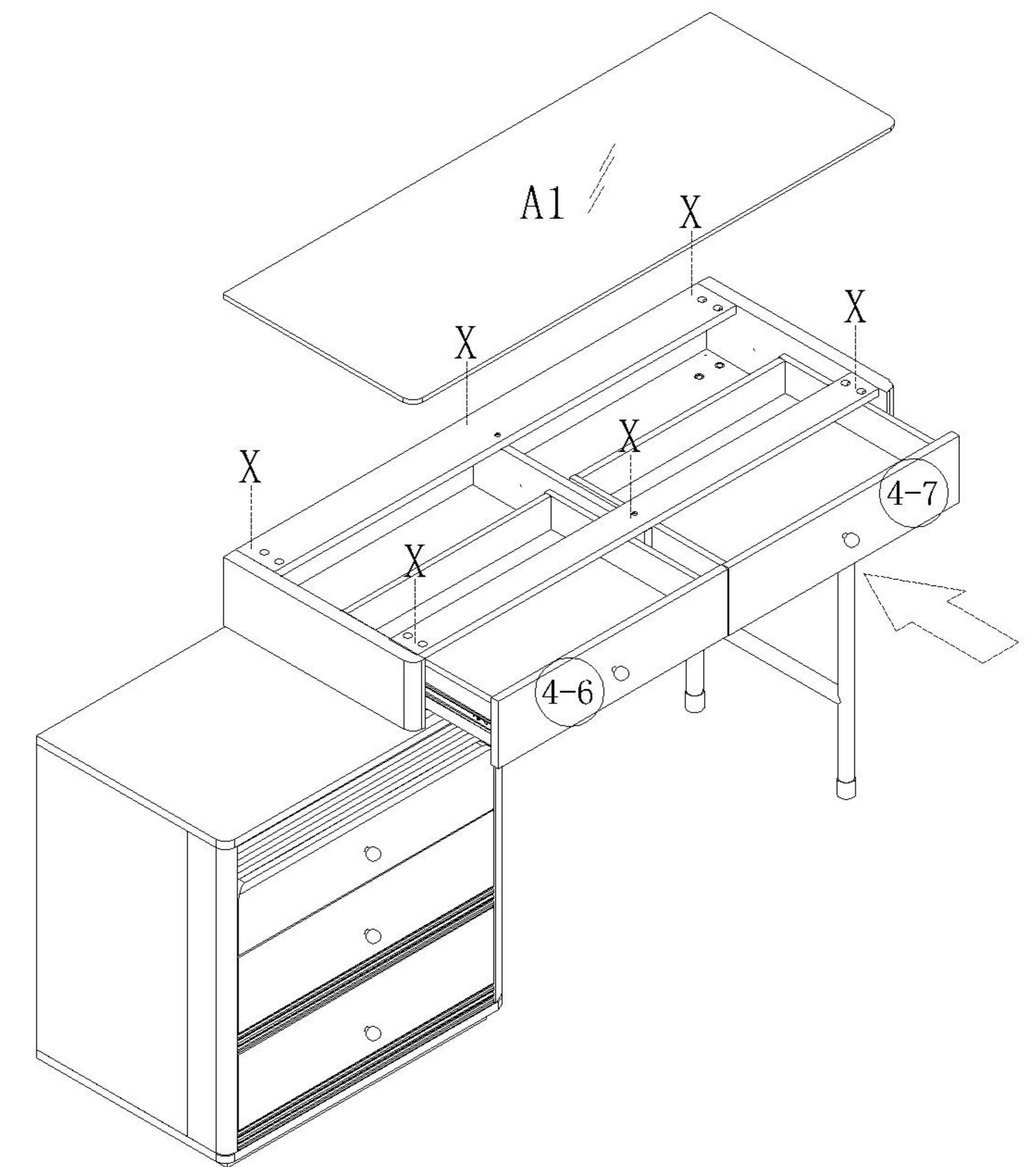
(X)*6



(A1)*1

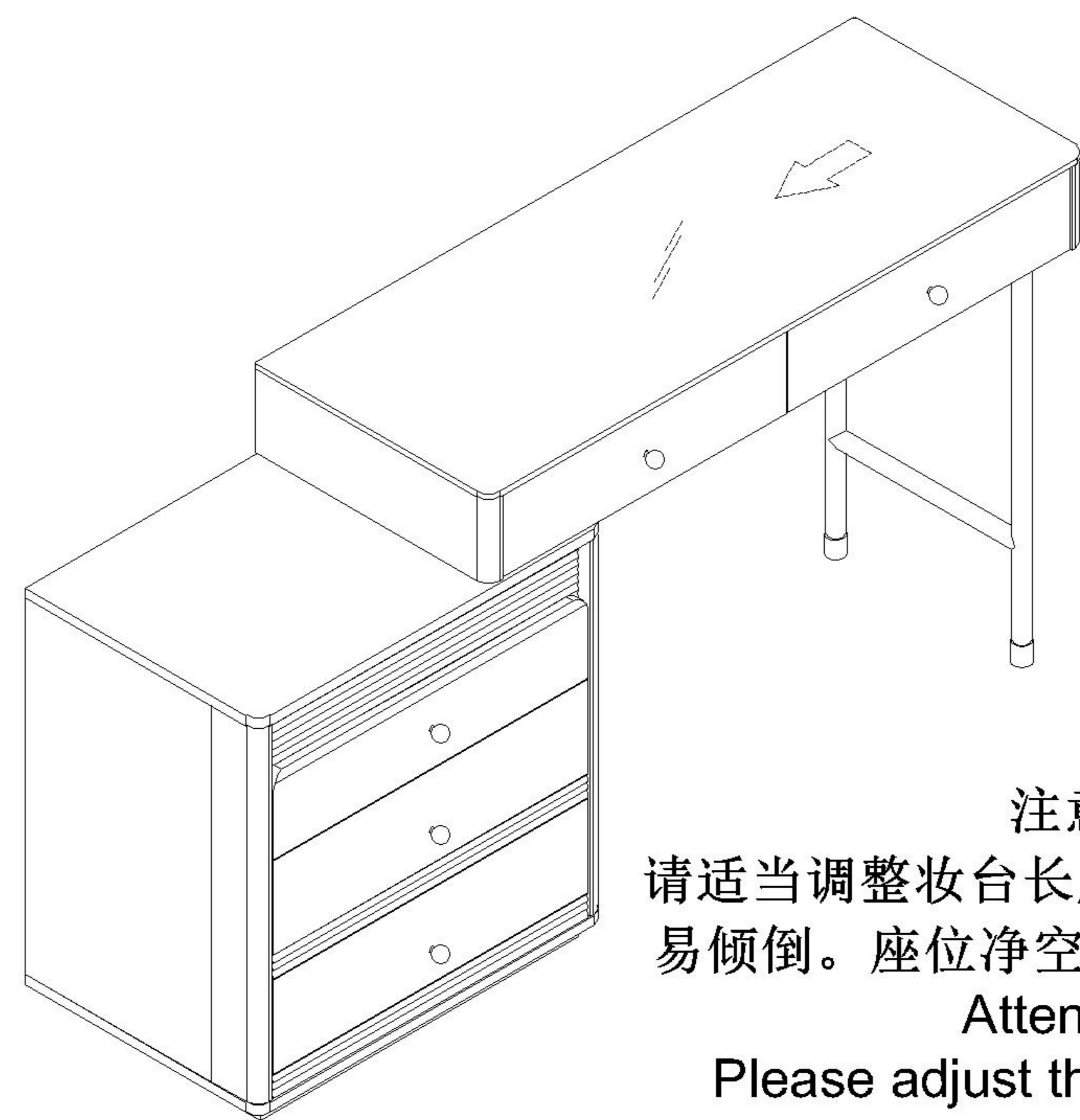


20

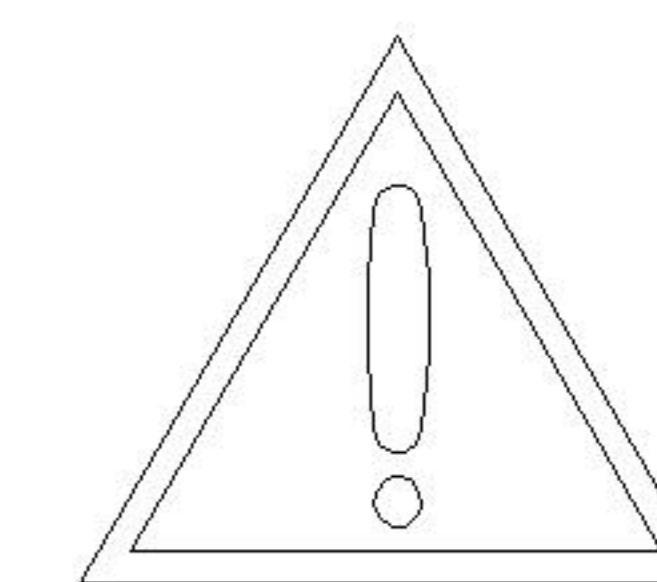
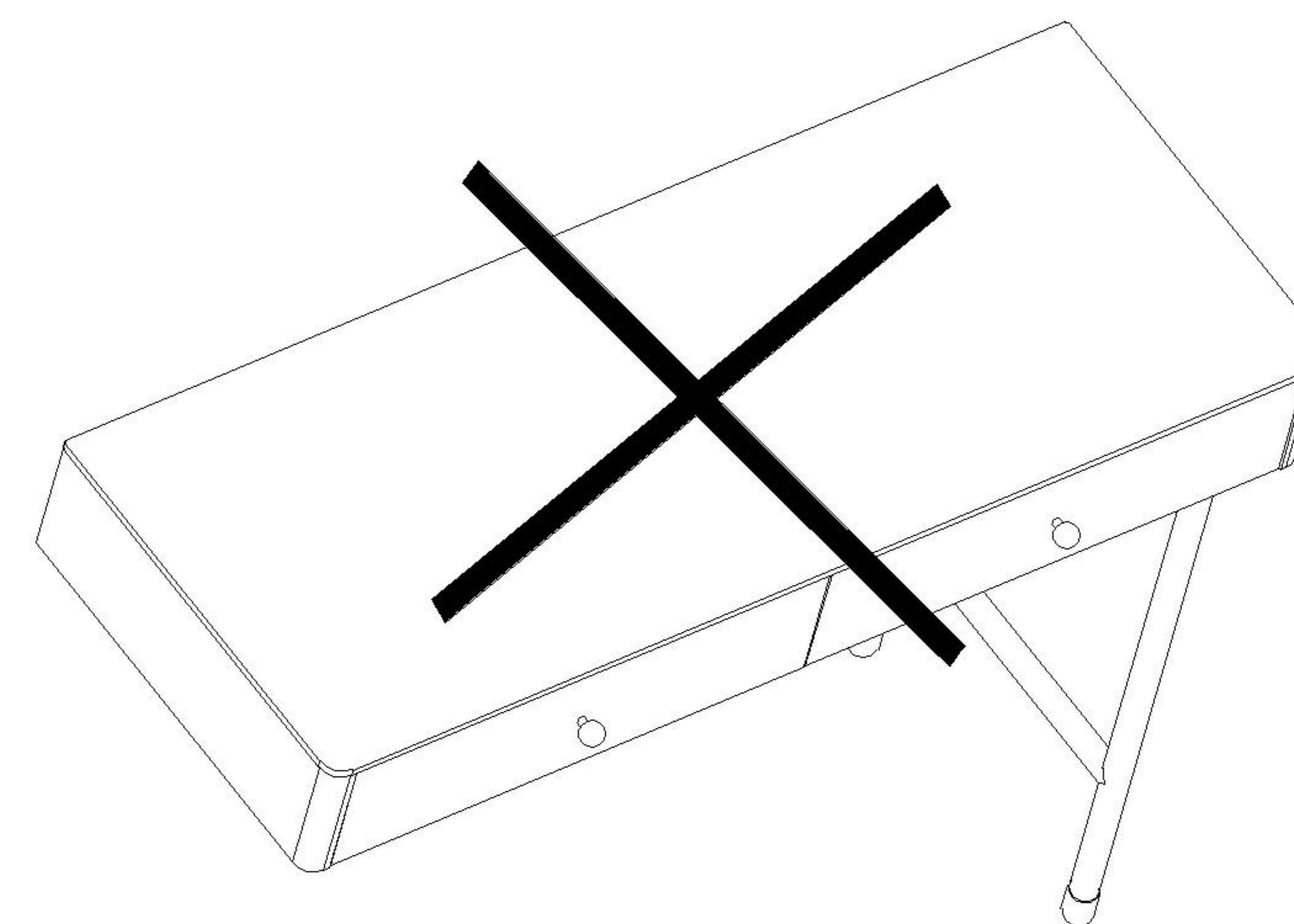


TU2C-A

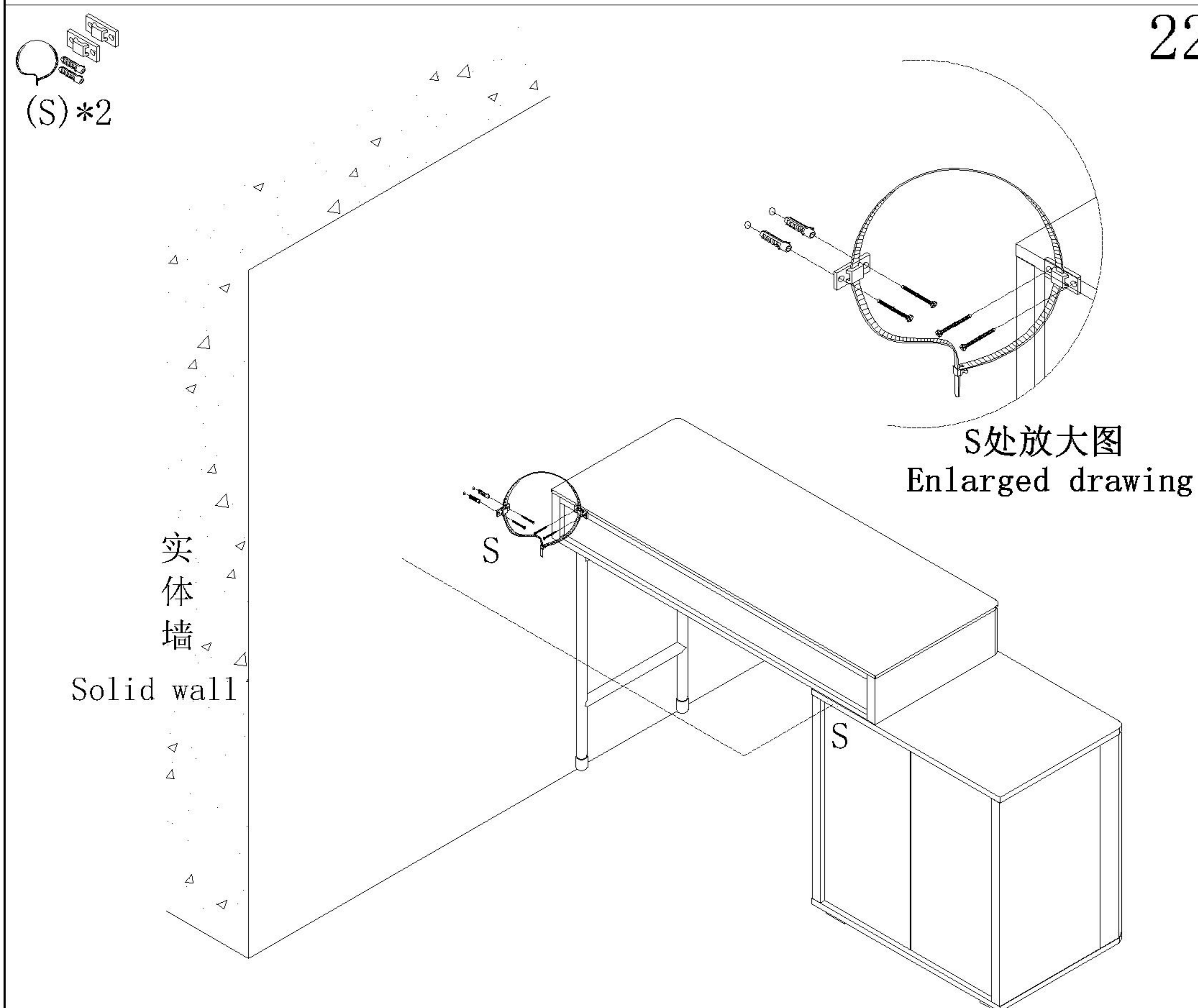
安装方法/
Installation method



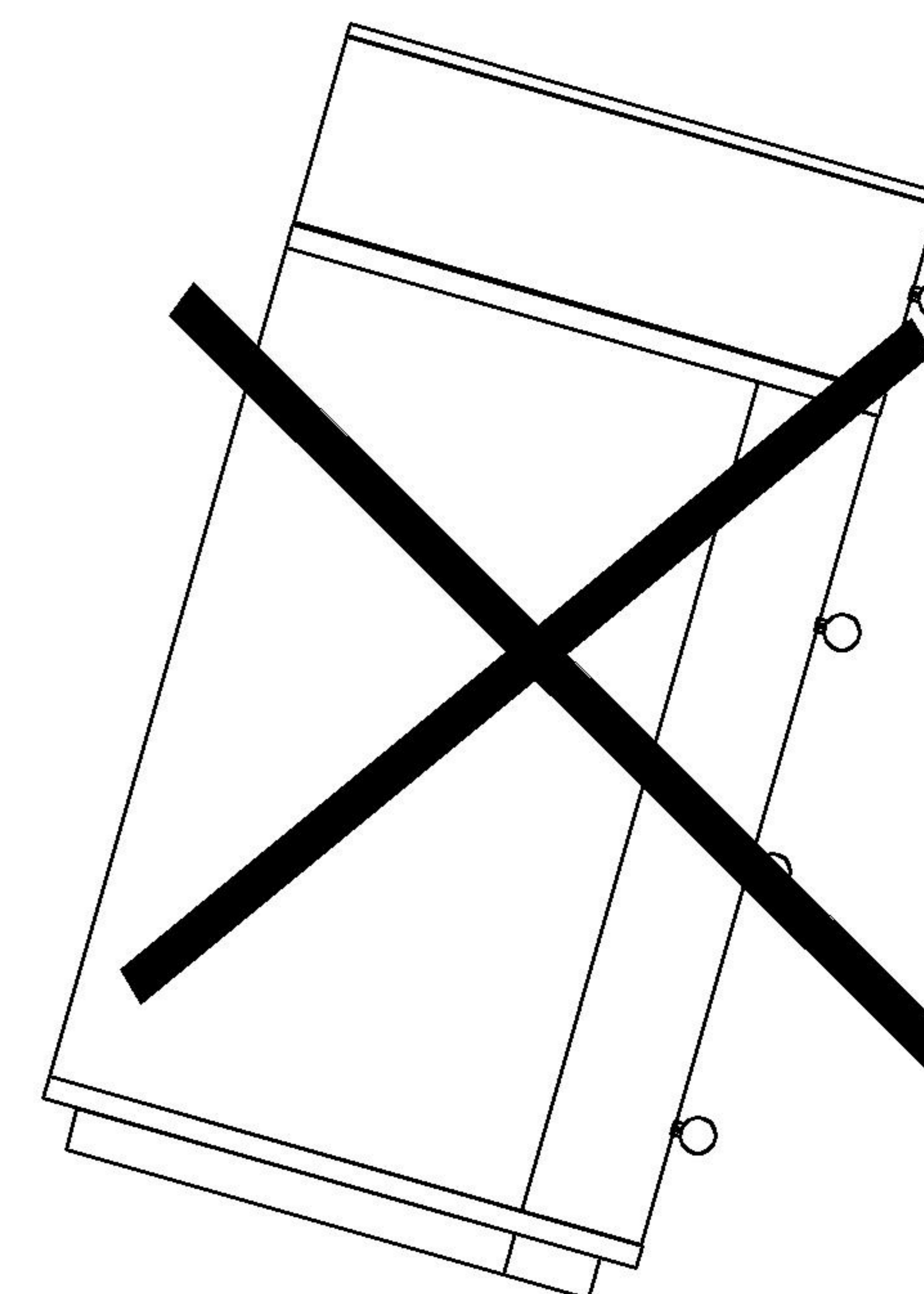
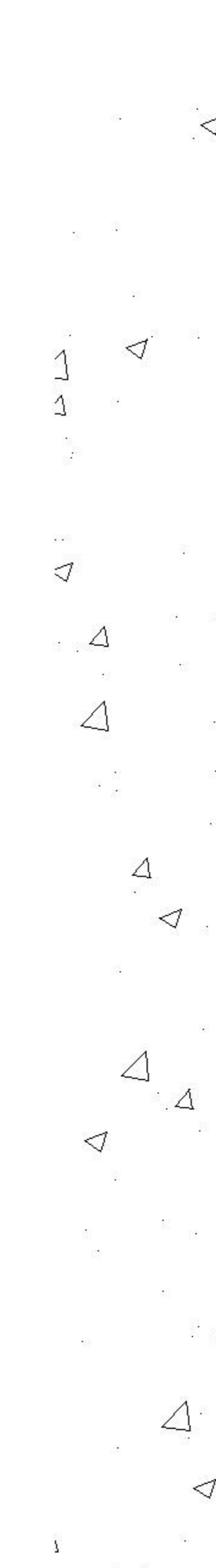
注意!
请适当调整妆台长度, 使妆台稳固不易倾倒。座位净空最长不长于796mm
Attention!
Please adjust the length of the dressing table appropriately to make it stable and not prone to tipping. The maximum headroom of the seat shall not exceed 796mm



注意!
使用产品时请适当调整主柜与边柜组合间距离, 单独放置会有倾倒的风险。
Be careful!
Please properly adjust the distance between the attached and main cabinet. Placing the main cabinet alone will have a risk of dumping.



22



23