

LINSY 林氏家居

安装示意图/Assembly Instruction

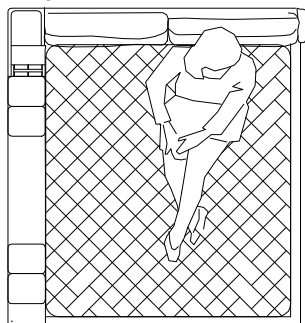
产品名称 Model NO.	TPC688#	铺板规格 Planking size (1430x1830)
产品规格 Specification	1500*2000	
尺寸组合 Combined size	224*155*109.5	

配件表

部件表/Parts List

编号 NO.	名称Name	图示Pic	数量QTY	编号 NO.	名称Name	规格 Specification	数量QTY	材质Material
A	六孔角码 Six hole corner code		2	①	床头 Headboard	155*24*109.5	1	实木+夹板+海绵+真皮+仿皮 Solid wood+plywood+sponge +Leather+imitation leather
B	五金脚Metal support feet 150mm		4	②	床侧*2 Bedside*2	198*3.5*15	2	实木+海绵+仿皮 Solid wood+Sponge +imitation leather
C	中方 Middle wooden square 1975*120*26mm		1	③	床尾 Footboard	150*3.5*15	1	实木+海绵+仿皮 Solid wood+Sponge +imitation leather
D	带托六孔角码 Six hole corner code with base		2					
E	M8垫片 M8 pad		48					
F	M8*20 斜边十字螺栓 bevel cross bolt		64					
G	床侧排骨架加固条 edge of bed slat 1830*36*46		2					
H	T型圆柱调节脚 250*38 (土黄色) (khaki) T-shaped cylindrical adjustment foot		1					
I	横竖孔角码 Horizontal and vertical hole corner codes		2					
J	实木条形排骨架 Solid wood strip bed board 1430*120*15		11					
K	M8 外六角螺母 hexagon nut6		12					
L	M8*45 斜边十字螺栓 bevel cross bolt		16					
M	防滑勾Anti slip hook		1					
N	床头中脚 Middle support foot of headboard		1					
O	M5*30 自攻螺丝Self tapping screw		4					
P	说明书(含安装图) Assembly Instruction (with drawing)		1					

如何区分床的左右方向?
How to distinguish the left and
right directions of the bed?



人躺在床上,分左右方向
Lie on the bed, facing left and right
(图示仅供分辨方向用)

制图 Draw

Page NO. 页码 (2-1)

安装工具Tool

安装人数Installer

充电式手电钻 或者 十字螺丝刀
Cordless hand drill
Phillips screwdriver

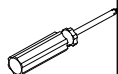
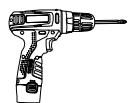


图1: 床头角码安装示意图
Installation diagram of bedside
corner code

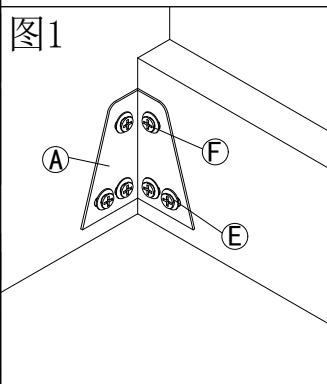


图2: 床尾角码安装示意图
Installation diagram of corner codes
at the end of the bed

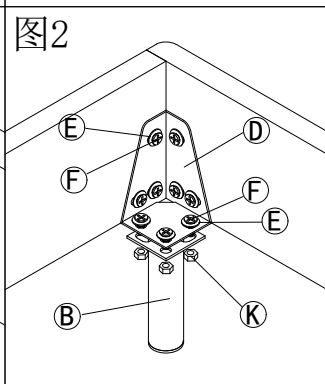


图3: 床头脚安装示意图
Installation diagram of bedside feet

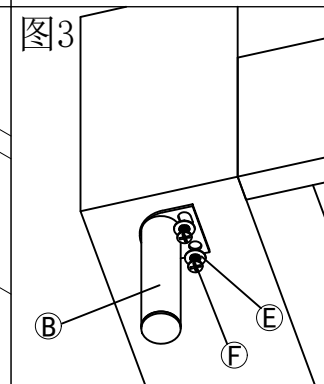


图4: 床头中脚安装示意图
Installation diagram of middle foot of headboard

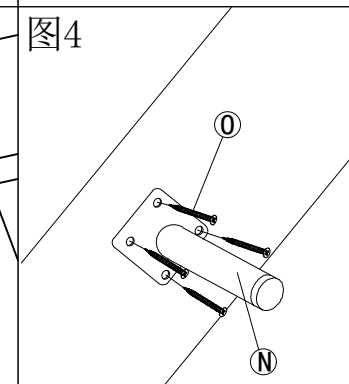


图5: 挂码安装示意图
Schematic diagram of hanging code
installation

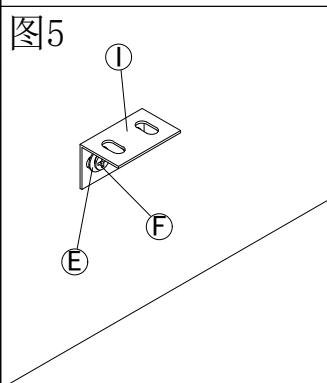


图6: 边方安装示意图
Installation diagram of solid wood
support by the bedside

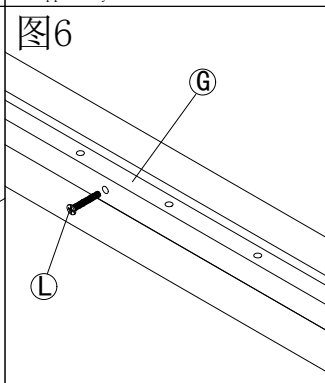


图7: 中方安装示意图
Installation diagram of solid wood
support in the middle

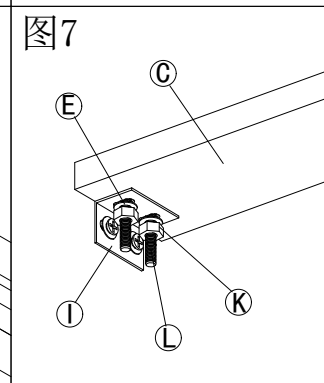


图8: 中脚安装示意图
Schematic diagram of middle foot
installation

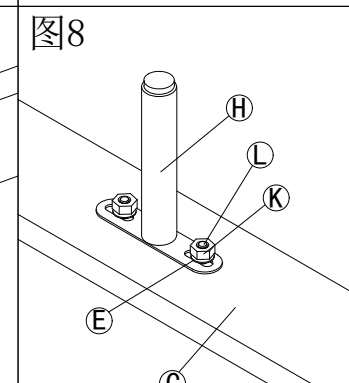


图9: 排骨架安装示意图
Installation diagram of solid wood strip
bed board

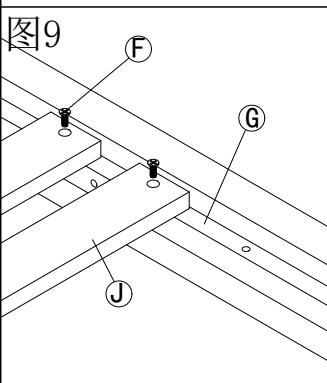
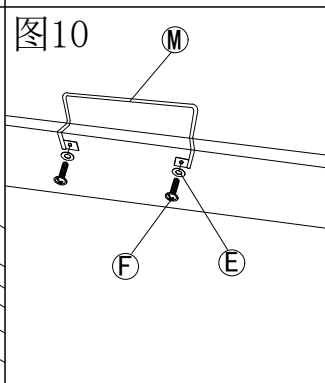
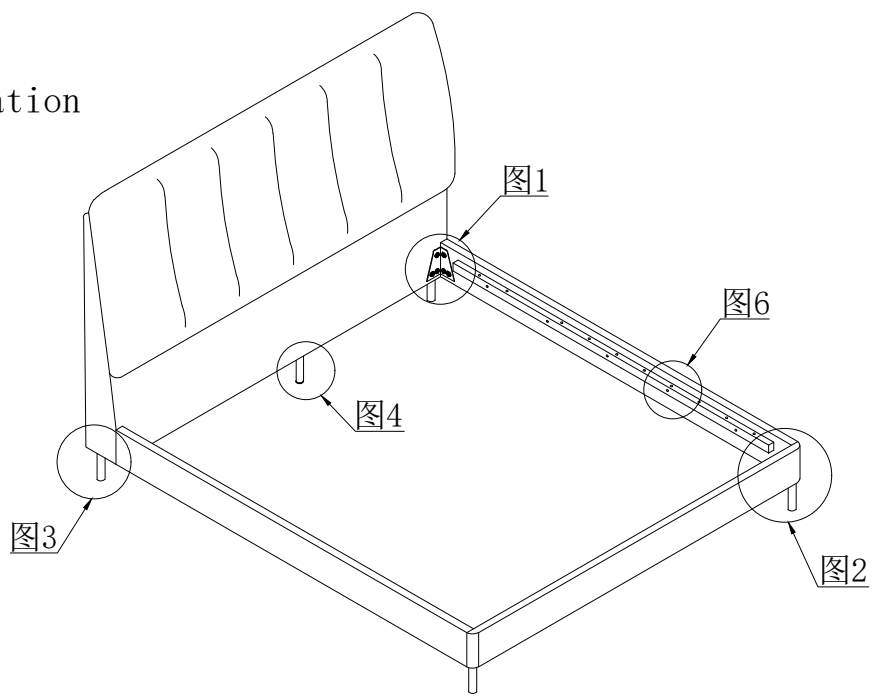


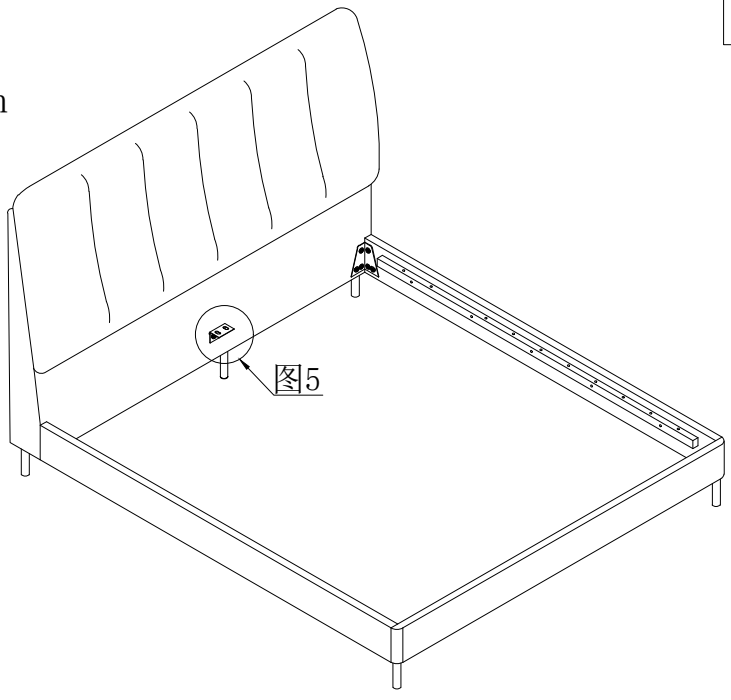
图10: 防滑勾安装示意图
Installation diagram of anti slip hook



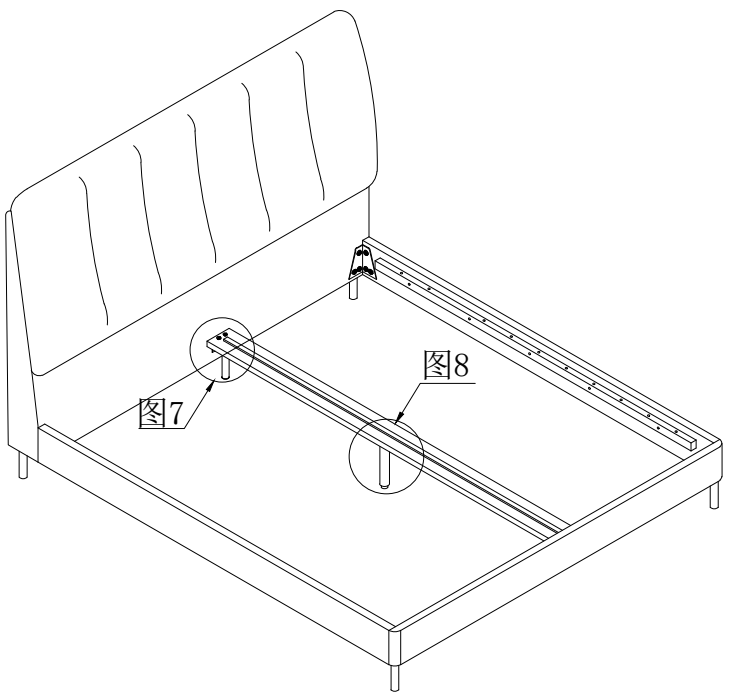
STEP 1:
组合
combination



STEP 2:
组合
combination



STEP 3:
组合
combination



STEP 4:
组合
combination

