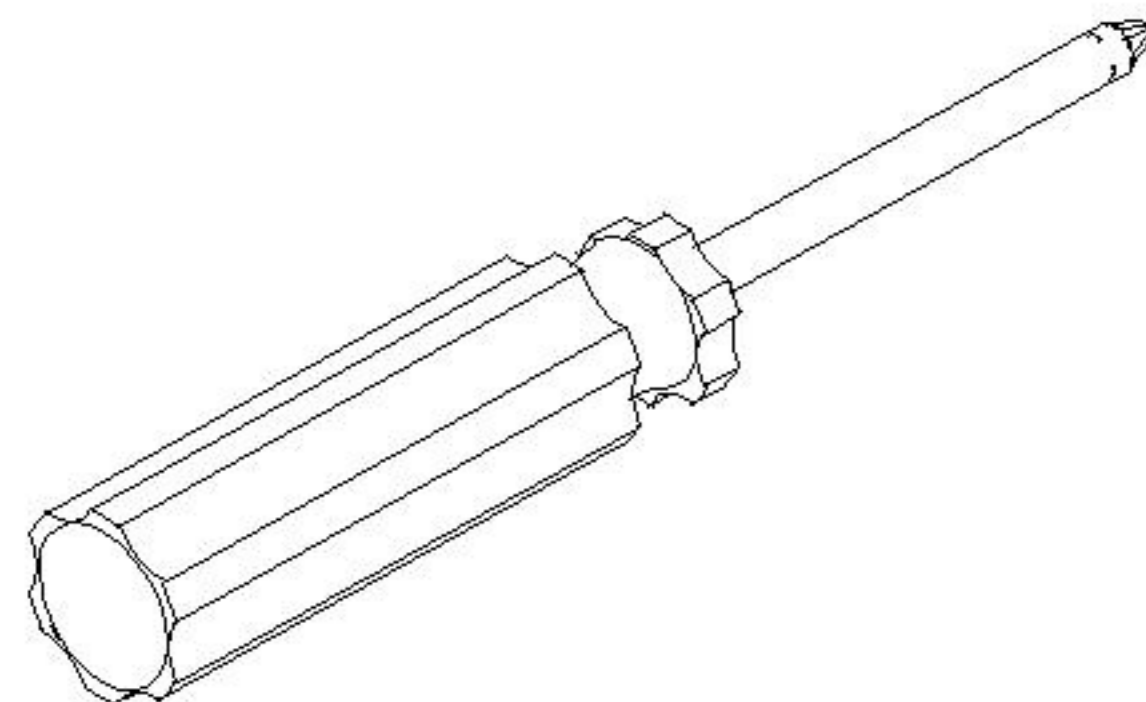
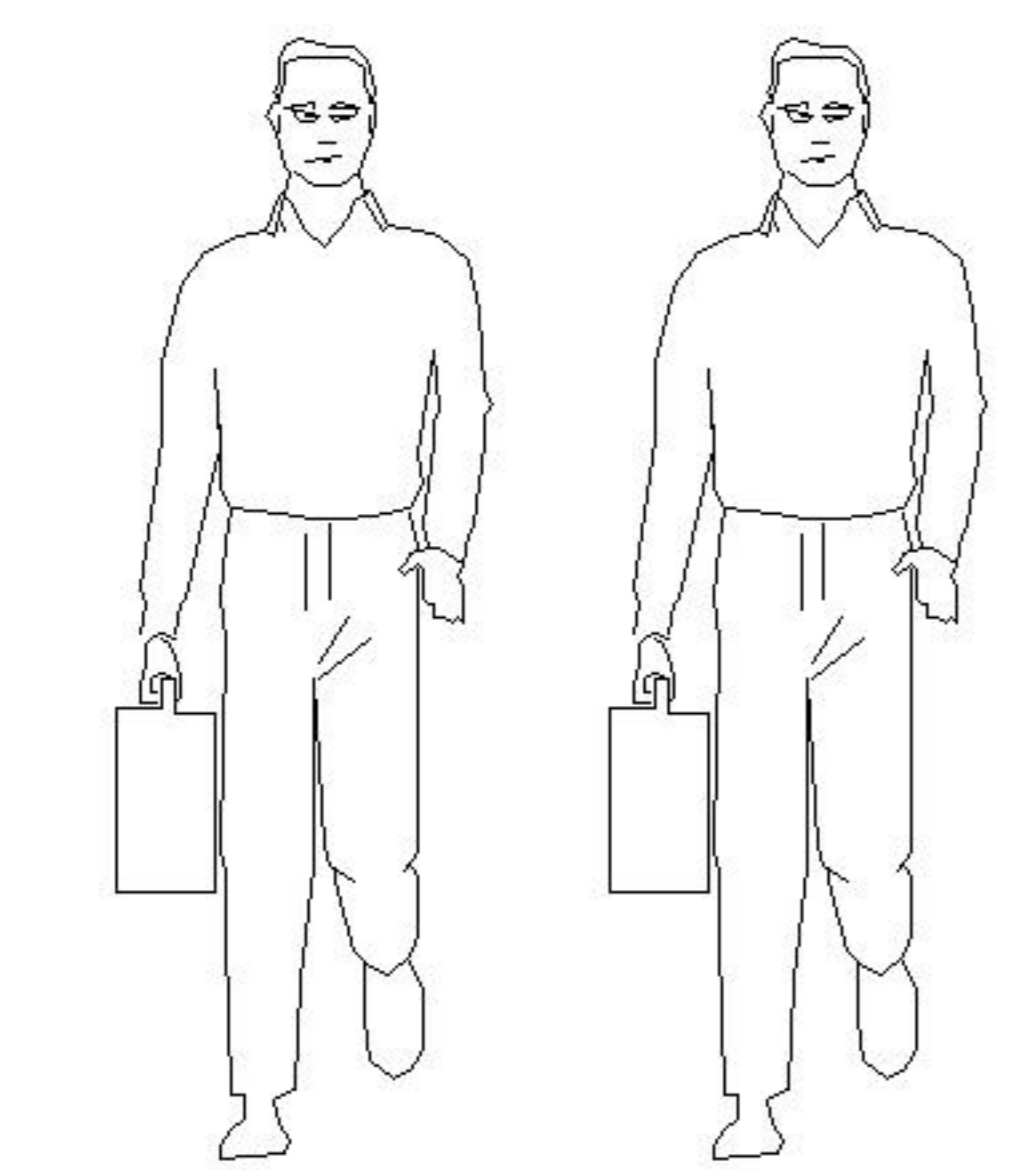
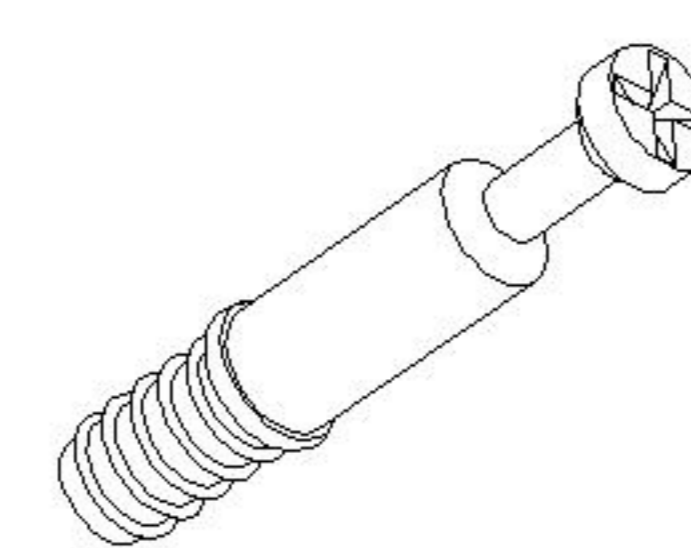
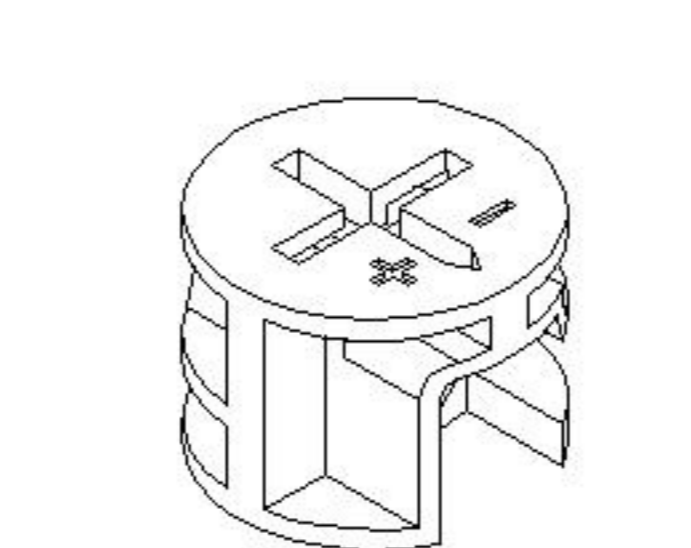
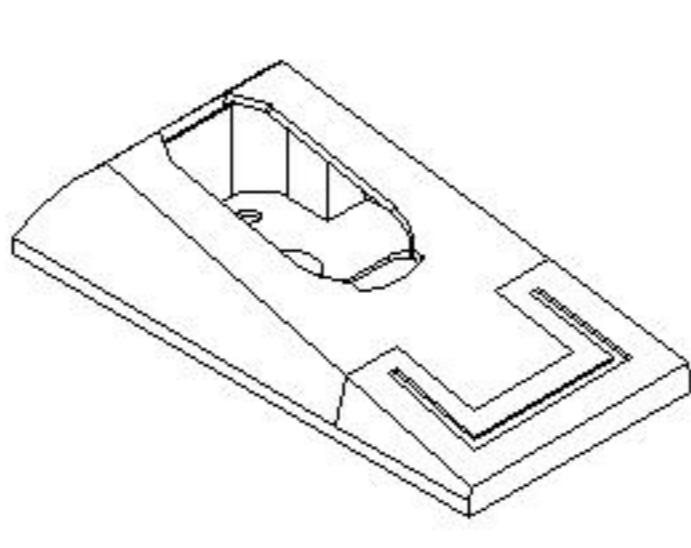
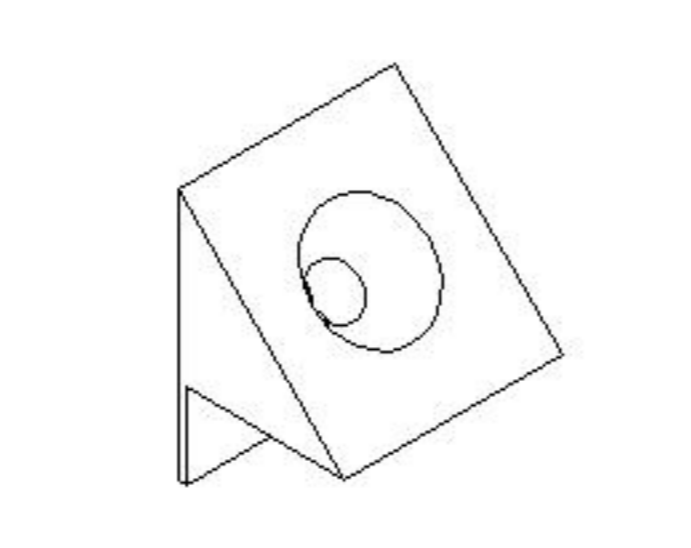
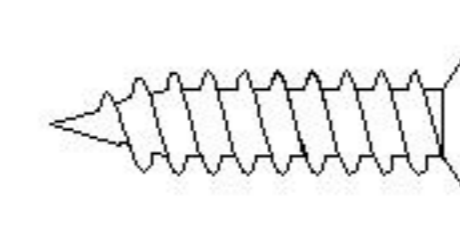
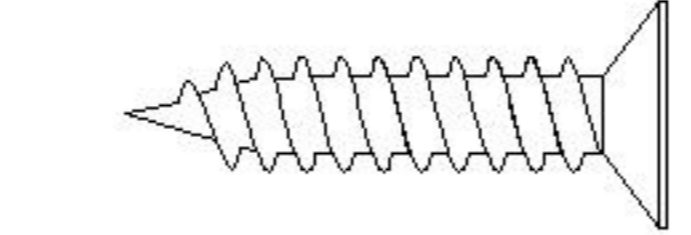
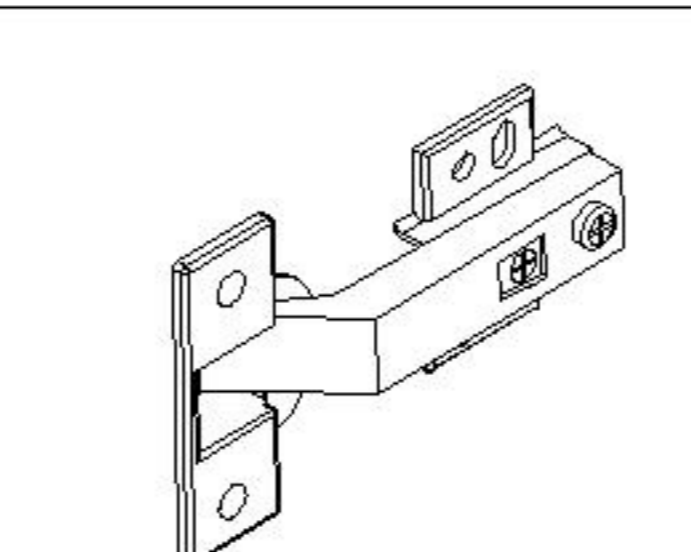
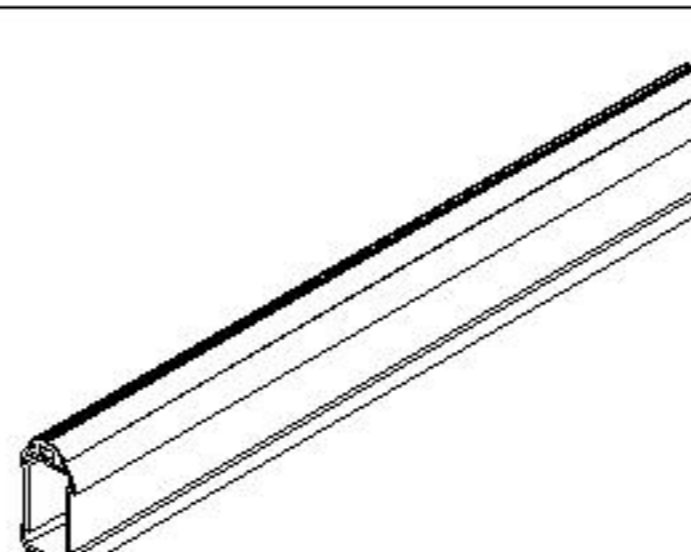
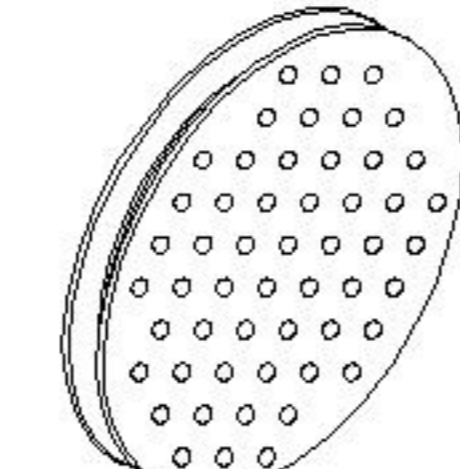
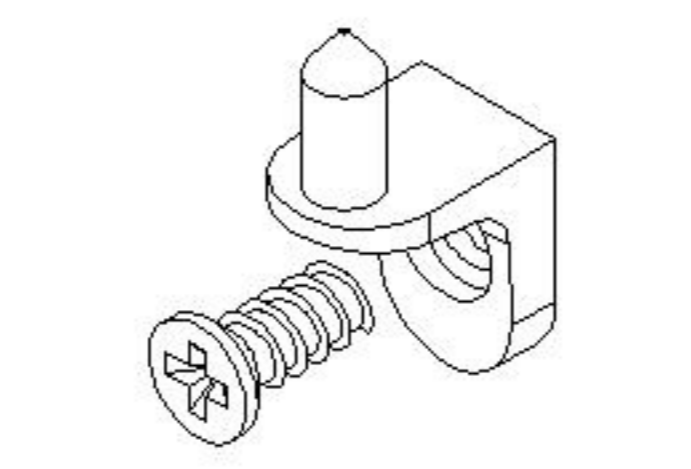
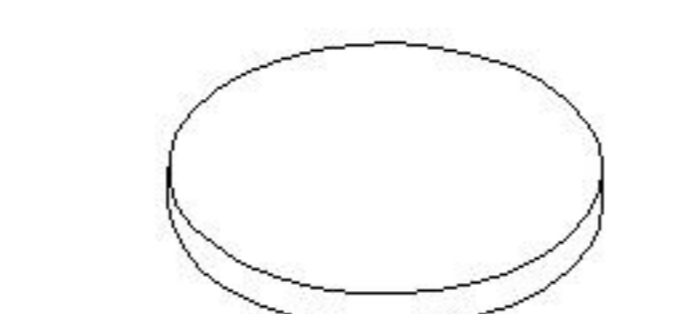
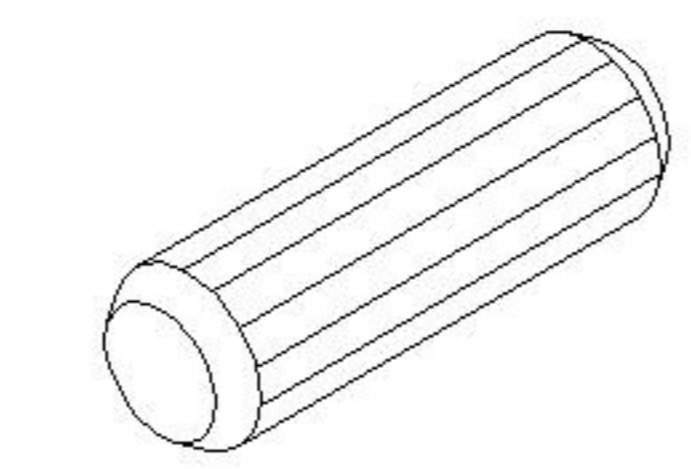



LINSY 林氏家居

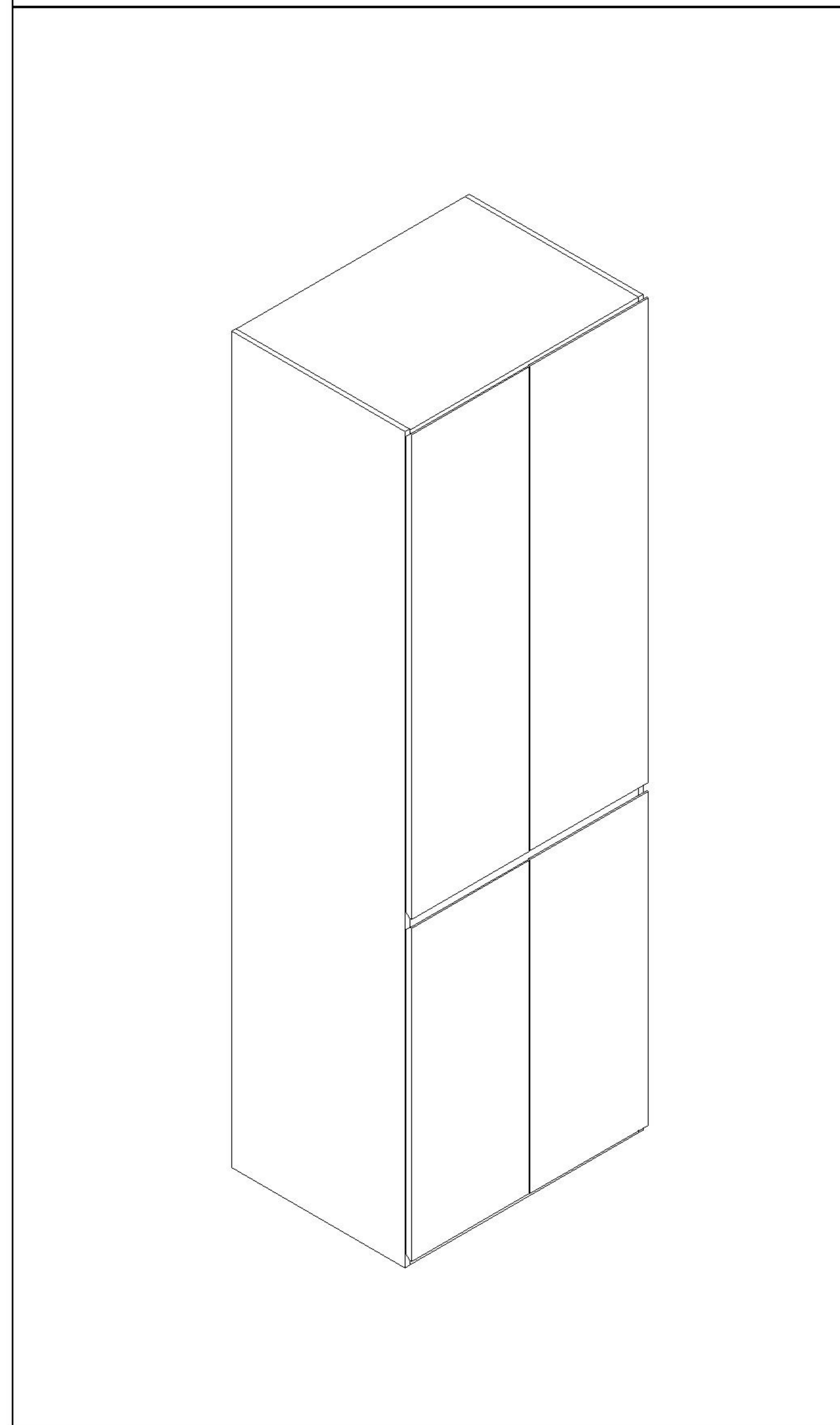
五金表/Hardware list

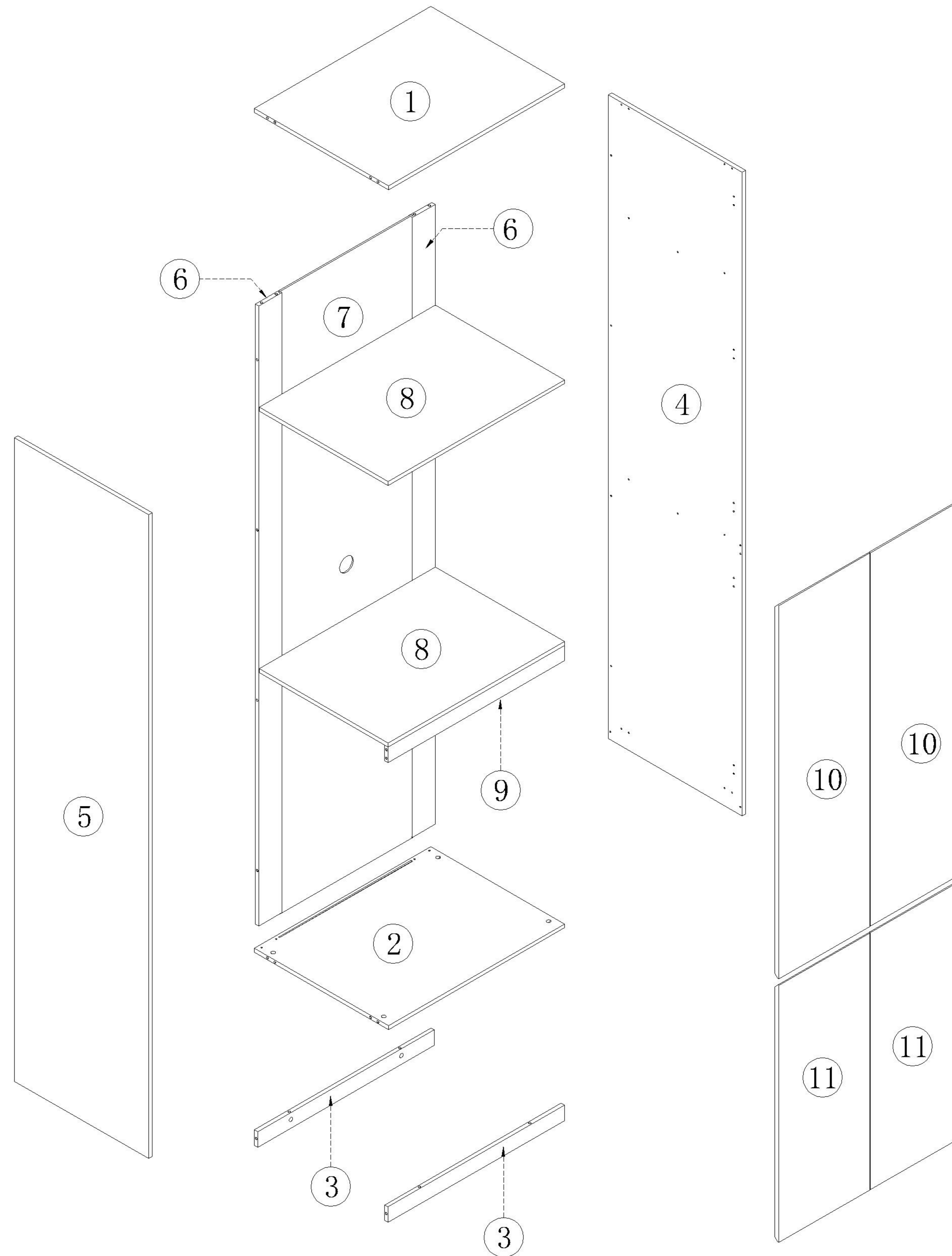
部件表/Parts List

安装示意图/Assembly Instruction	
产品名称 Model NO.	TR4D-A 两门衣柜 (不带抽)
产品规格 Specification	796*600*2423MM
安装工具 Tool	安装人数 Installer
	

 (A)*34 二合一螺杆 2-in-1-screw	 (B)*34 大三合一锁饼 3-in-1 large lock	 (C)*4 挂衣托 Clothes hanger	 (D)*6 背板扣 White buckle
 (E)*13 白攻螺丝M3.5*12mm Tapping screw	 (F)*6 白攻螺丝M3.5*16mm Tapping screw	 (G)*10 缓冲门铰直弯-杯Ø35 Straight bend hinge	 (H)*2 挂衣杆-L=758mm Clothes hanging rod
 (I)*1 透气孔盖-白色 Vent cover - white	 (J)*8 层板托5mm shelf support	 (K)*8 灰色毛毡垫 Foot pad	 (L)*13 木榫Ø8x30mm Wood tenon
 (M)*2 小角码-(14*21*1.5mm) Small bracket			

编号NO.	名称Name	规格 (mm) Specification	数量QTY	材质Material
1	顶板Top board	766*582*15	1	人造板 WBP
2	底板Bottom board	766*582*15	1	人造板 WBP
3	前脚条Front foot strip	766*58*15	2	人造板 WBP
4	右侧板Side board(R)	2420*582*15	1	人造板 WBP
5	左侧板Side board(L)	2420*582*15	1	人造板 WBP
6	背拉条Back brace	2331*101*15	2	人造板 WBP
7	背板Back board	2341*575*5	1	人造板 WBP
8	活动层板Movable shelf	765*560*15	2	人造板 WBP
9	拉条Brace	766*58*15	1	人造板 WBP
10	上门板Upper door board	1404*395*18	2	人造板 WBP
11	下门板Under door board	966*395*18	2	人造板 WBP

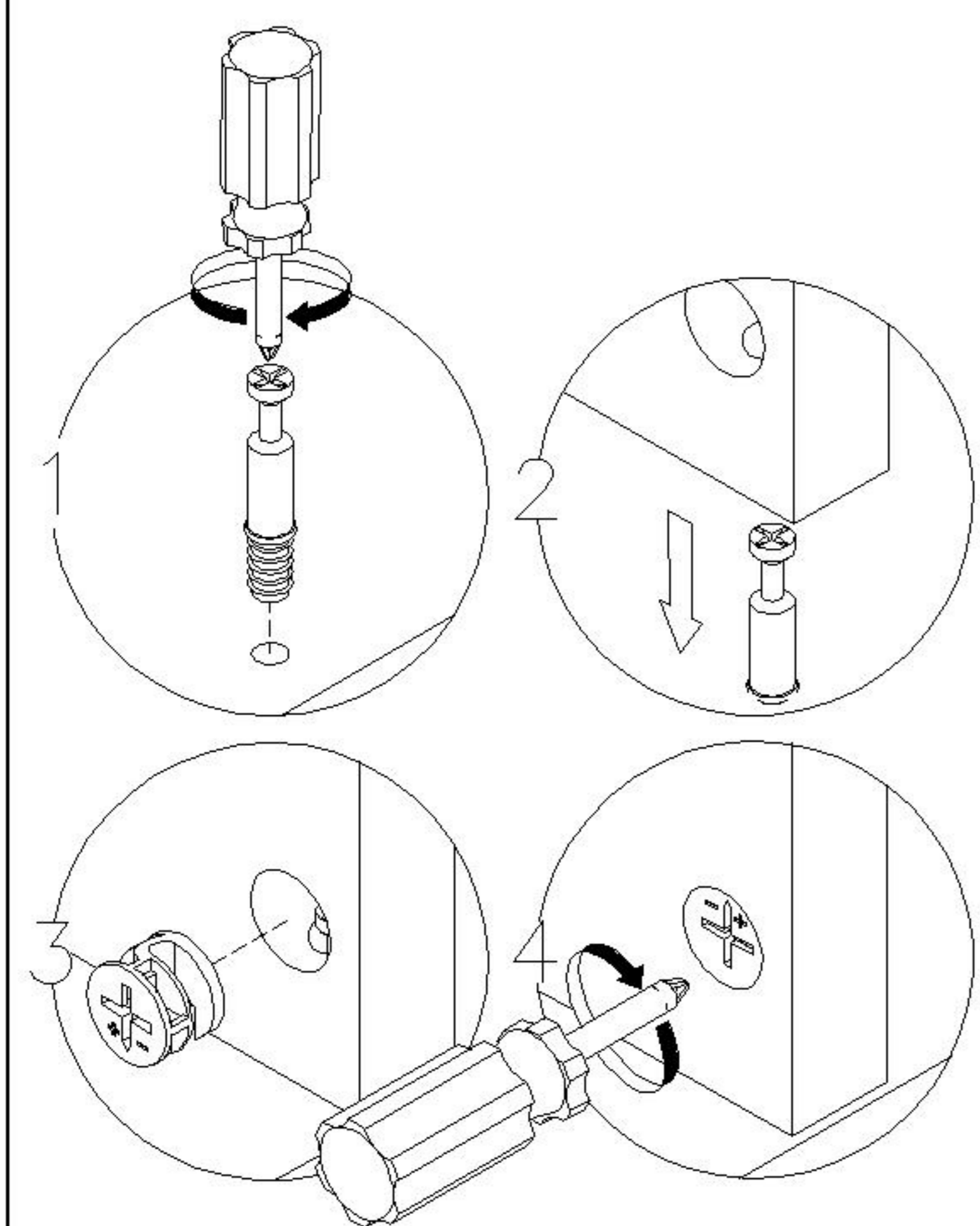




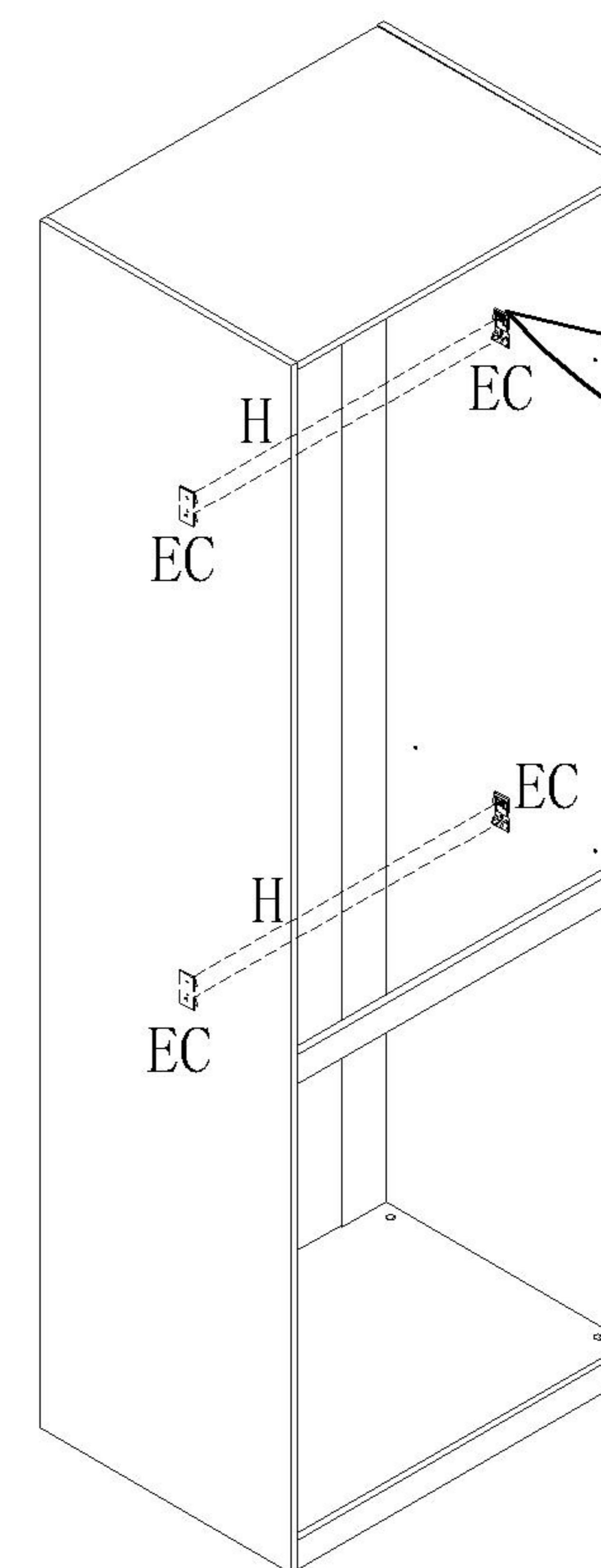
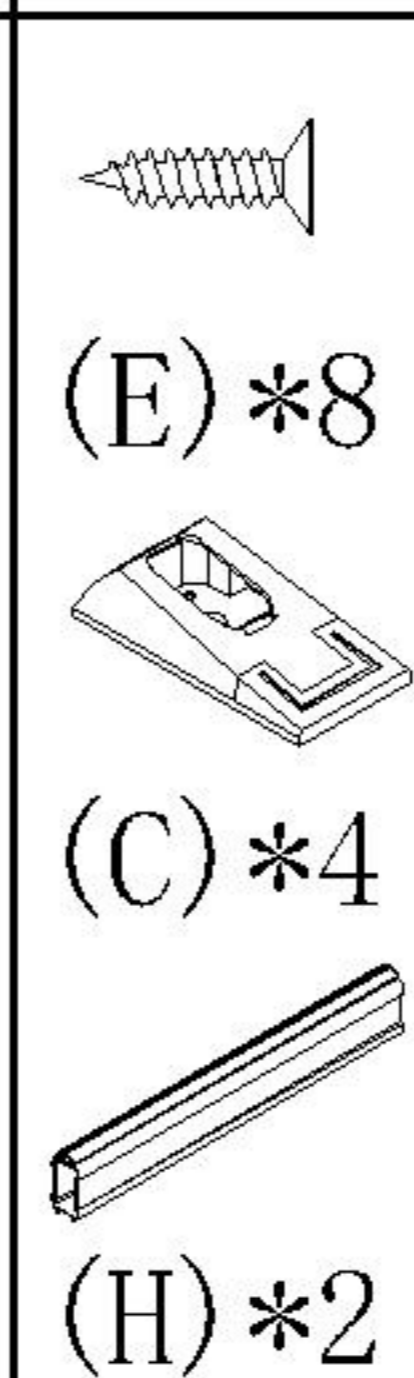
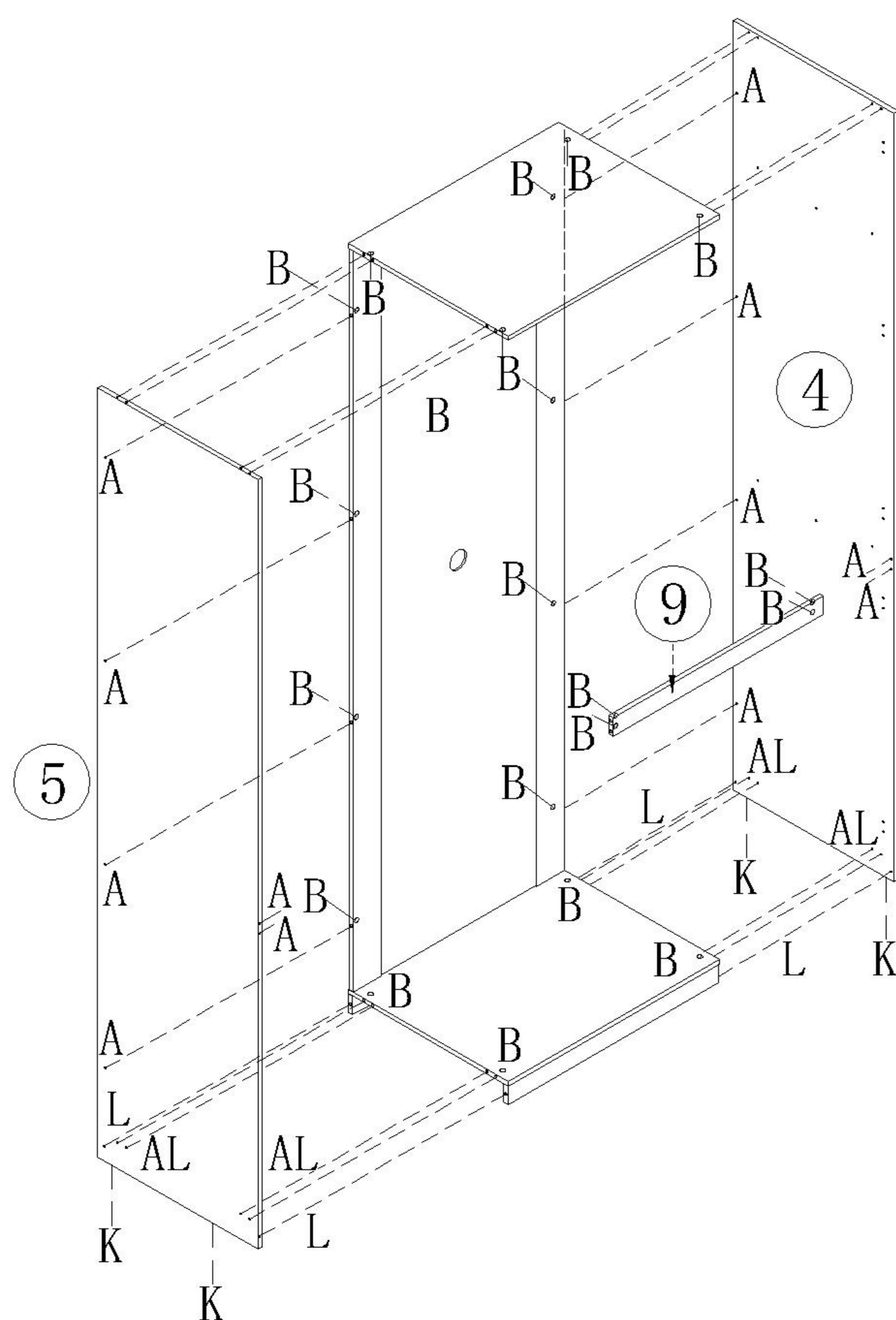
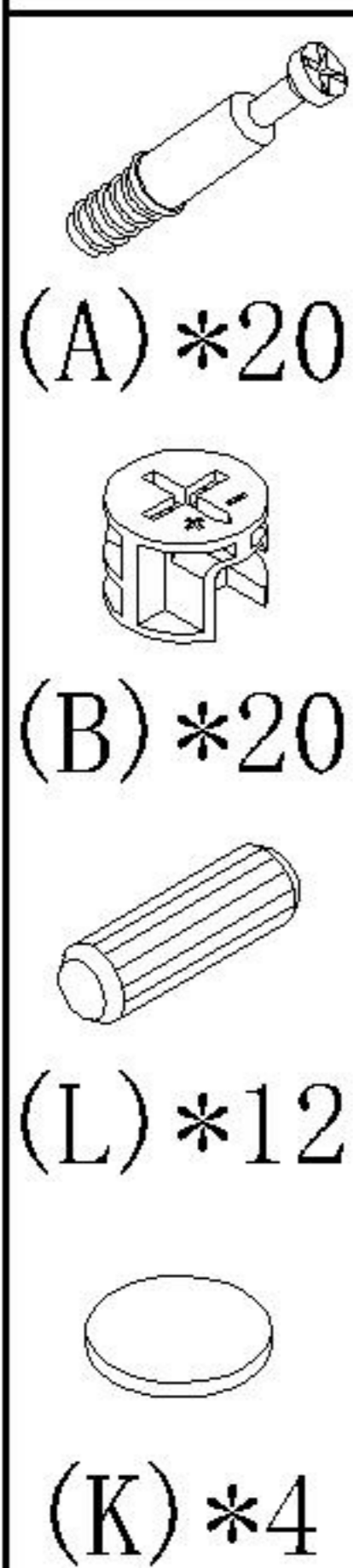
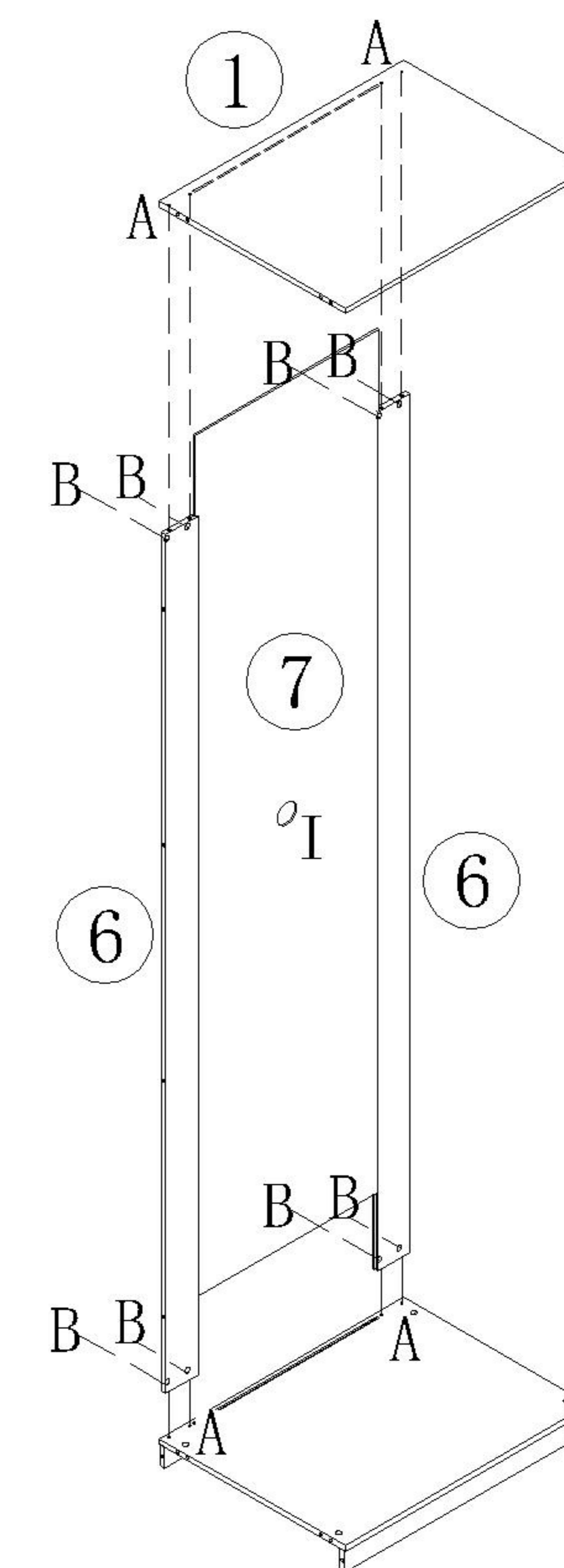
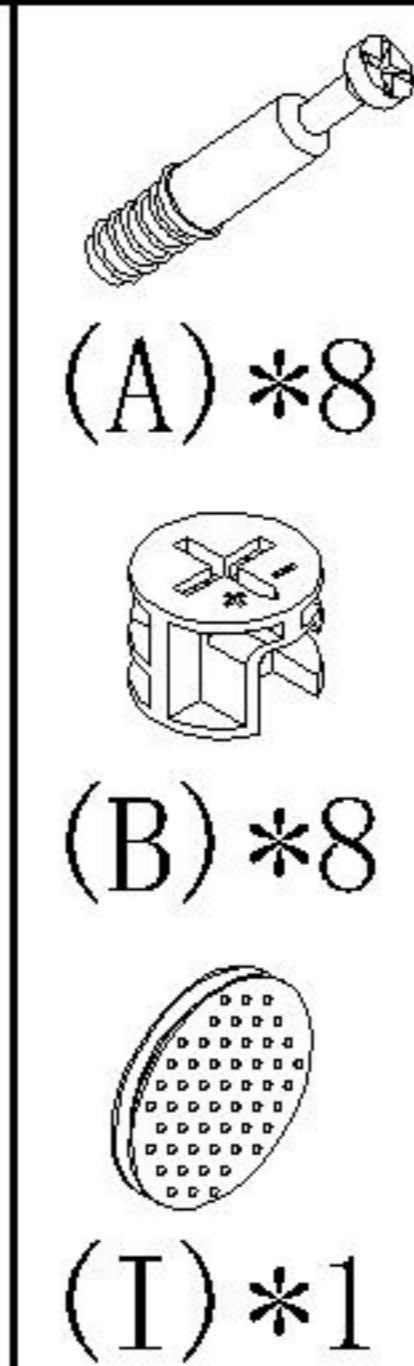
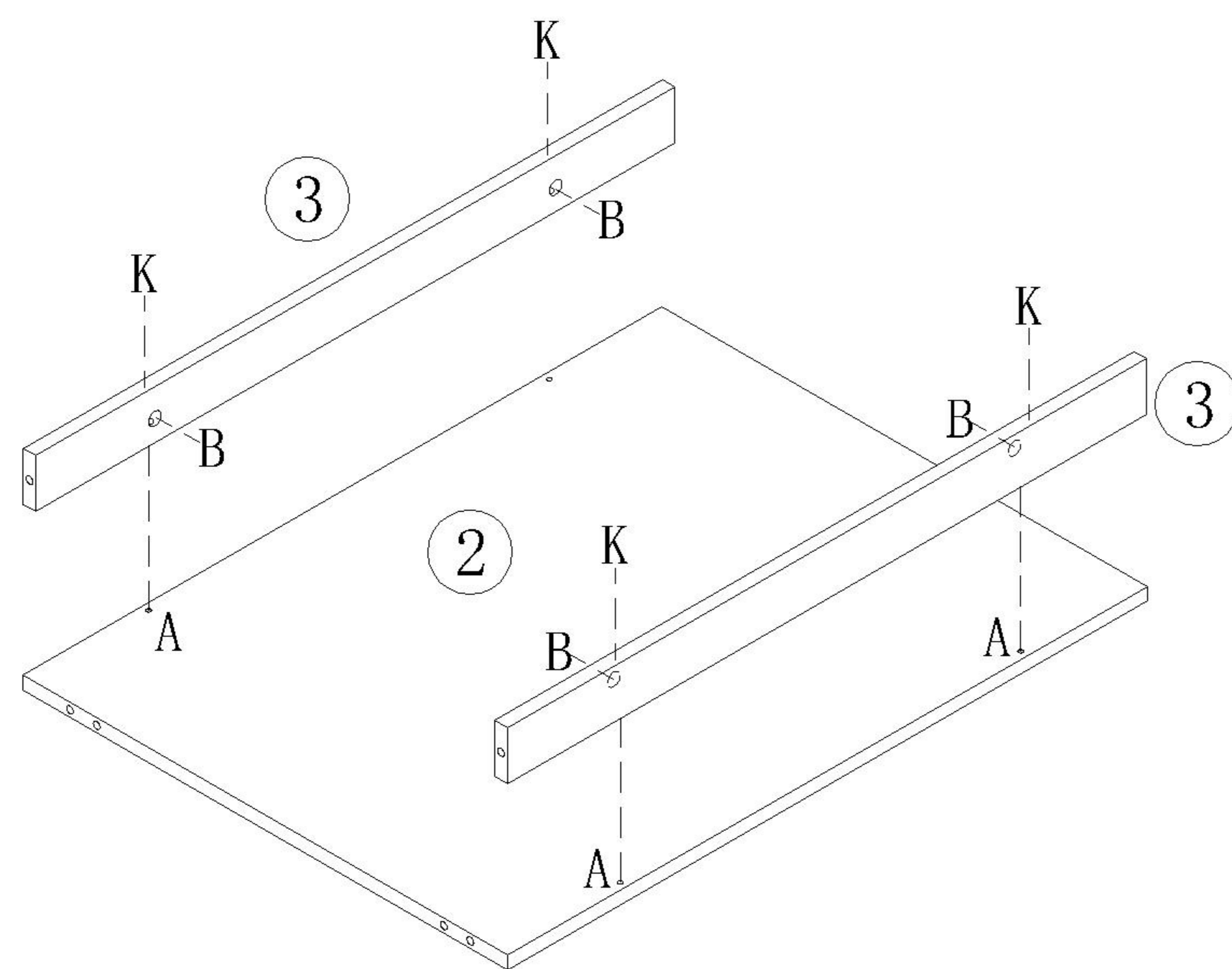
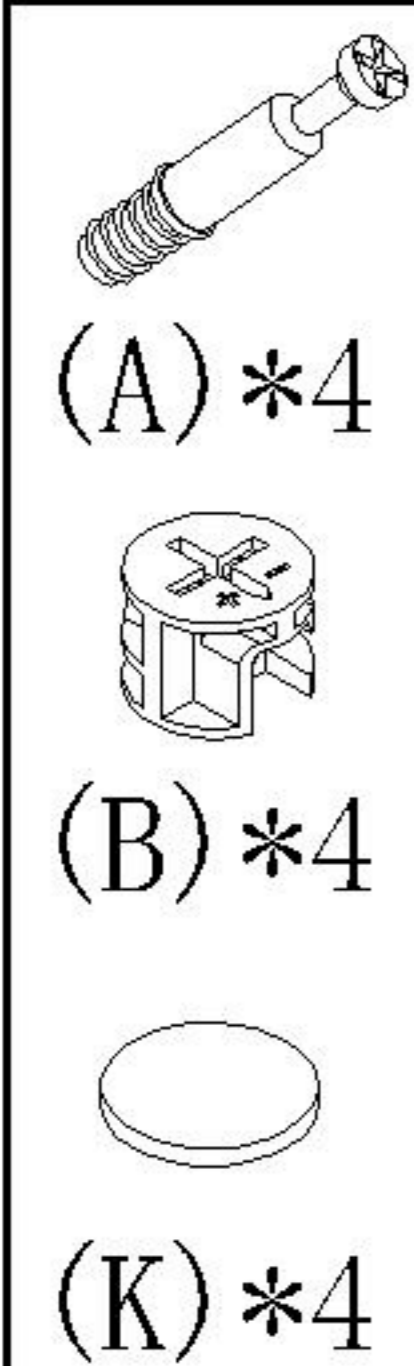
编号NO.	名称Name
1	顶板Top board
2	底板Bottom board
3	前脚条Front foot strip
4	右侧板Side board(R)
5	左侧板Side board(L)
6	背拉条Back brace
7	背板Back board
8	活动层板Movable shelf
9	拉条Brace
10	上门板Upper door board
11	下门板Under door board

安装方法

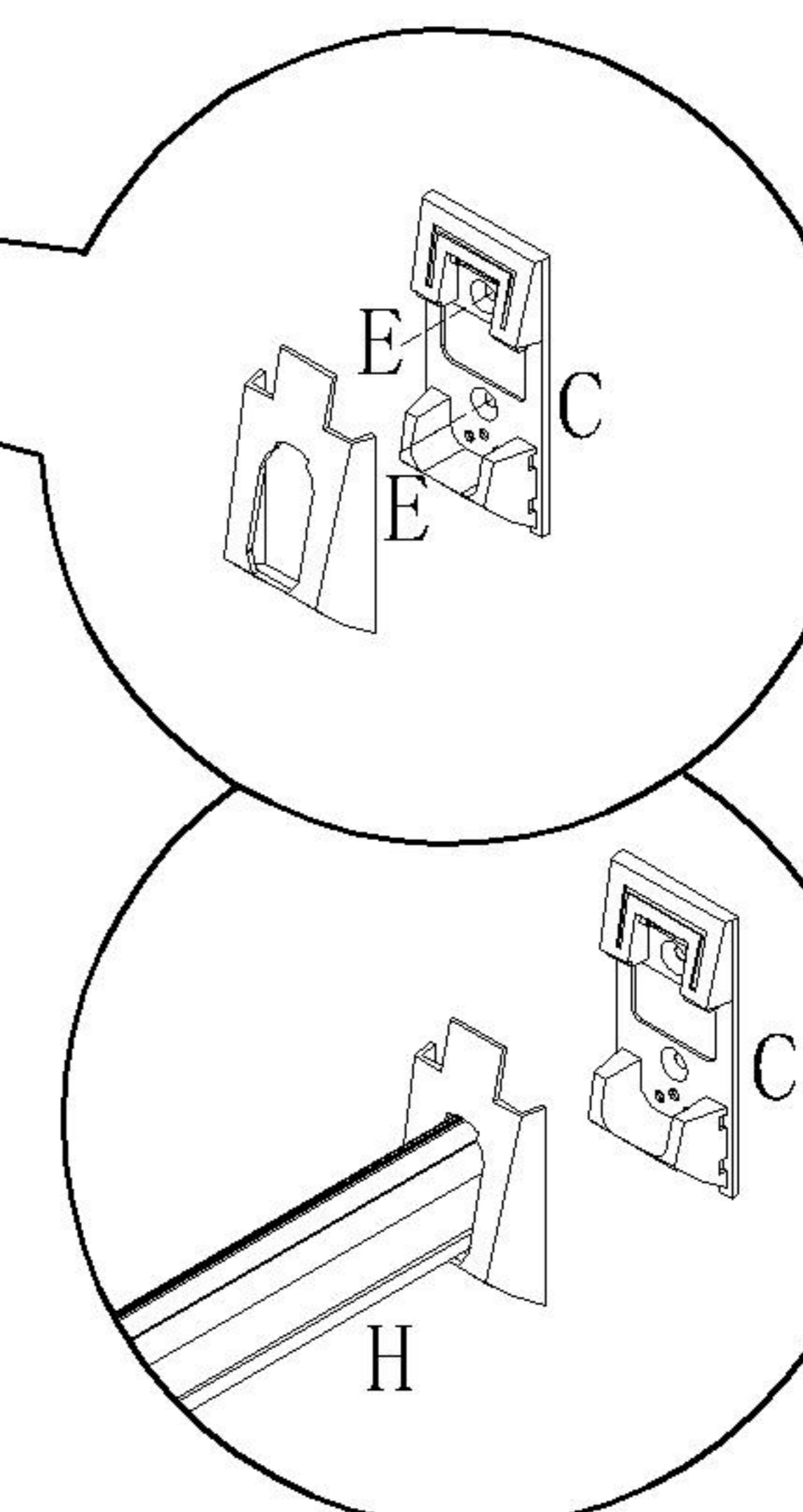
Installation method



二合一 two-in-one

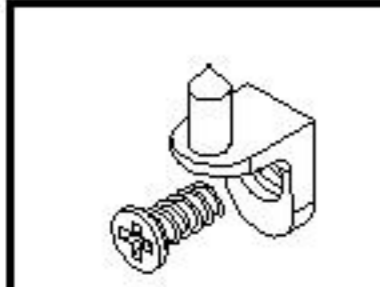
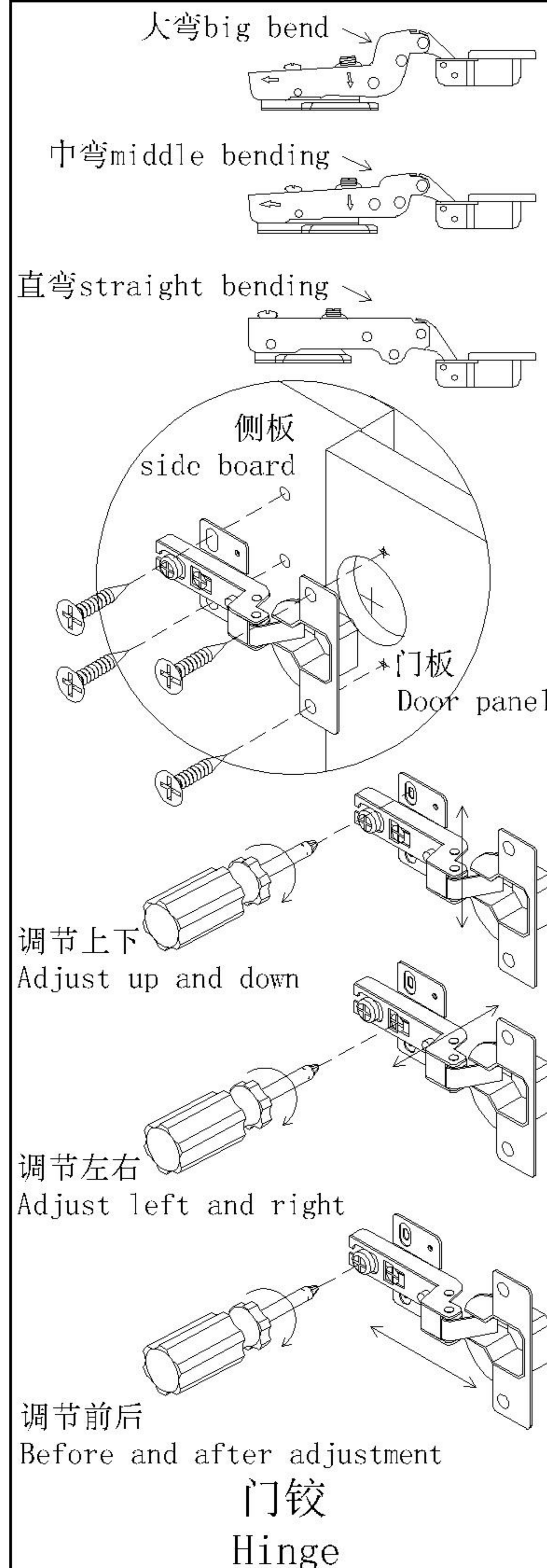


将五金C的盖子拆开再锁
Remove the cover of hardware C and lock it



将五金H套进五金C的盖子再
盖在五金C的底座上
Put hardware H into the cover of hardware C and then cover the base of hardware C

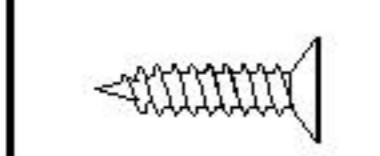
TR4D-A 两门衣柜 (不带抽)



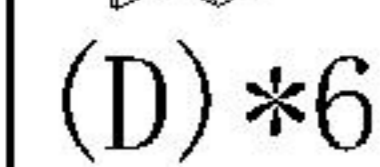
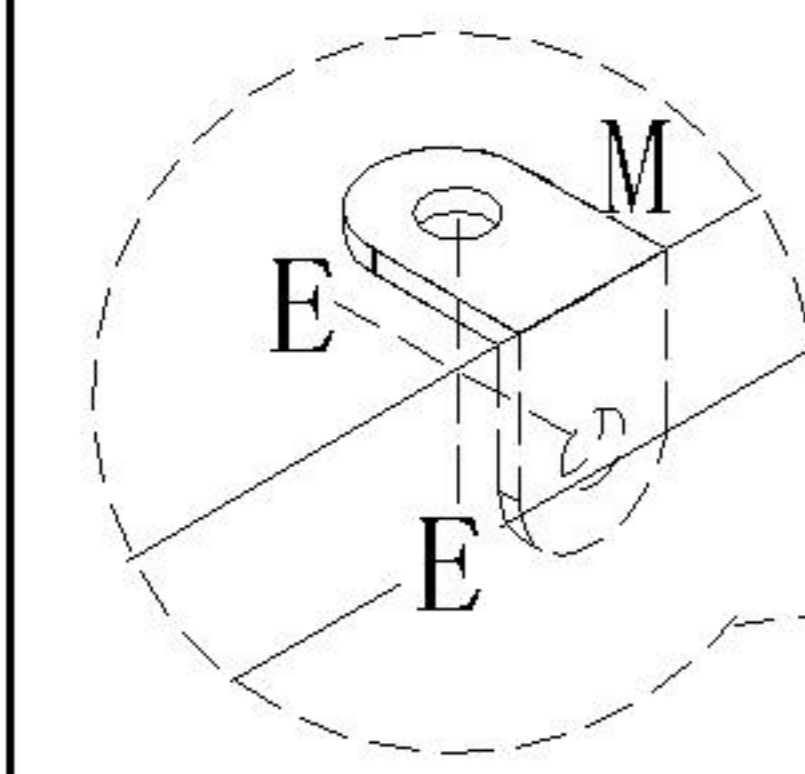
(J)*8



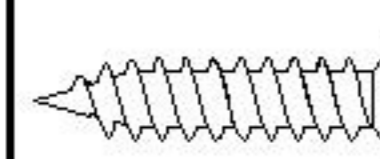
(M)*2



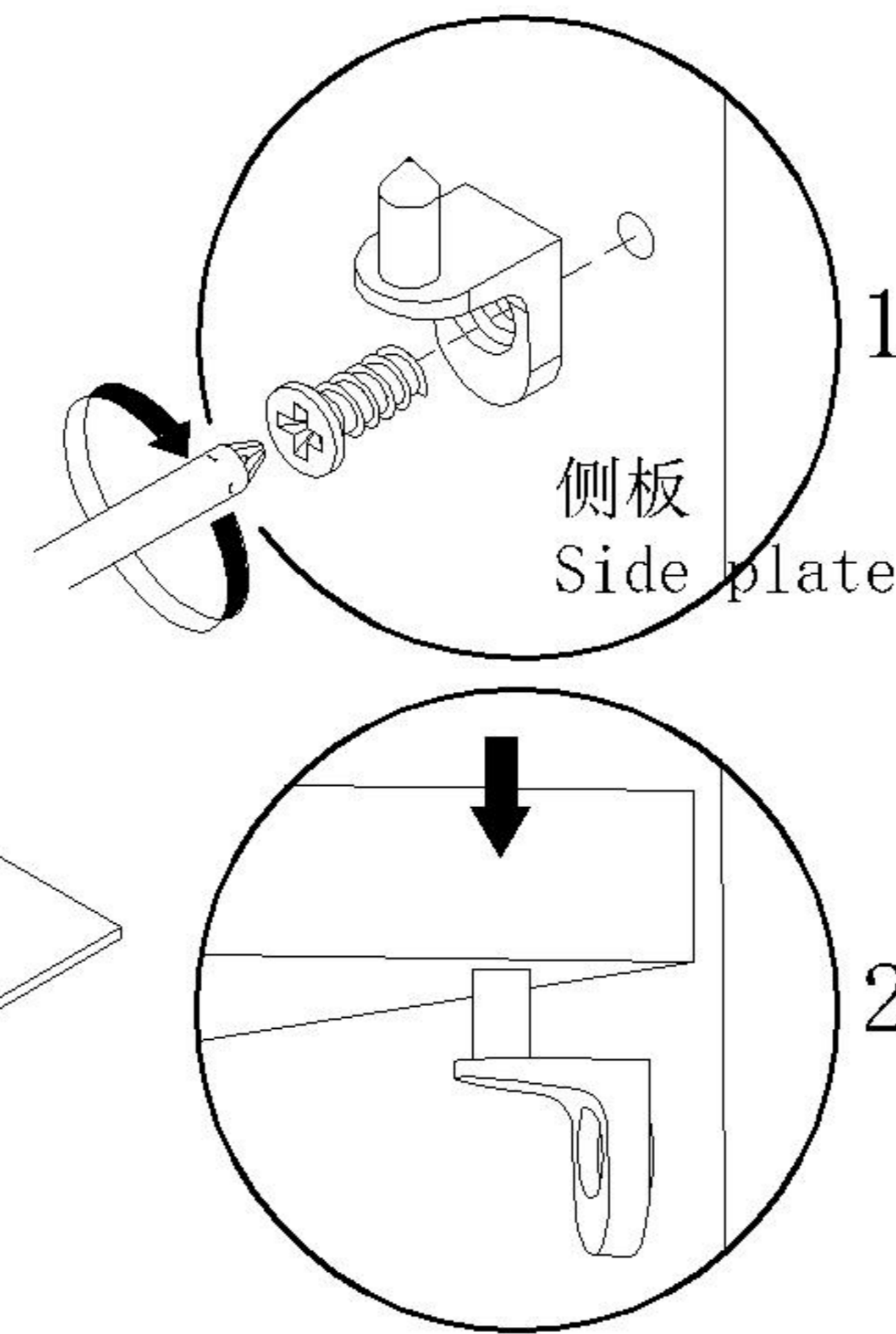
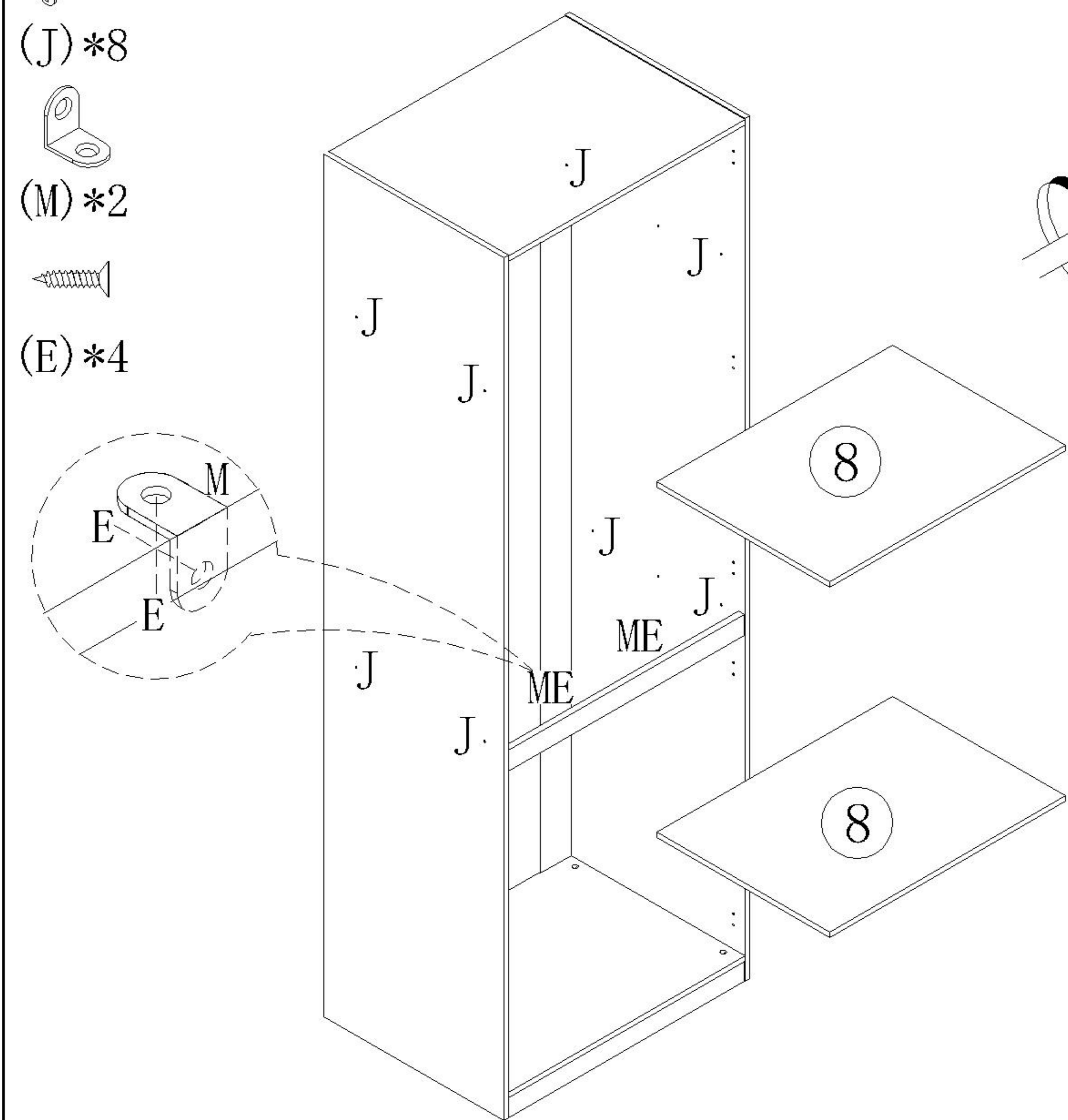
(E)*4



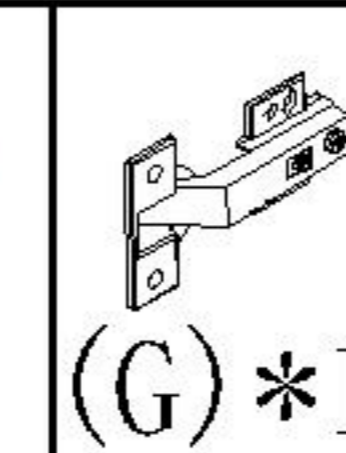
(D)*6



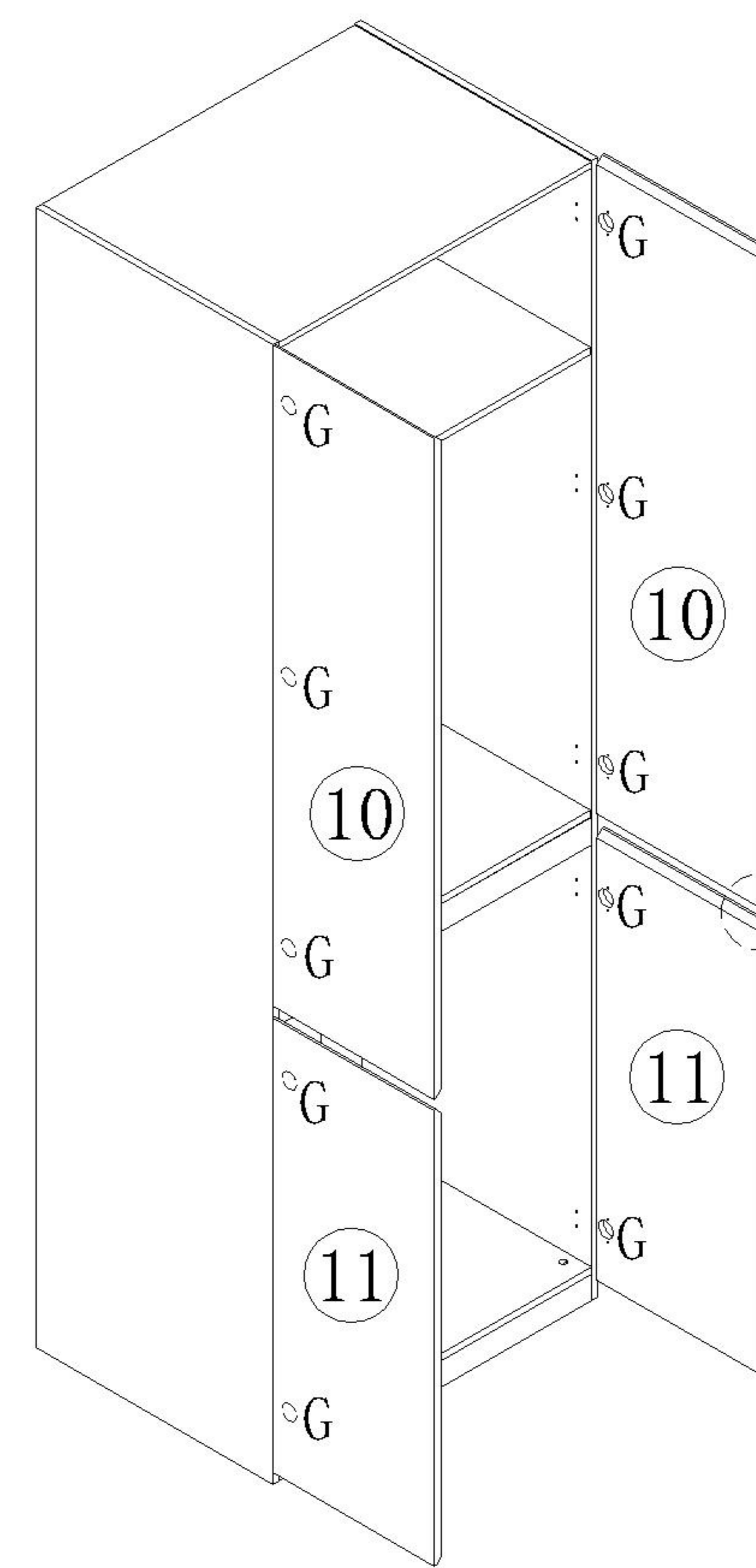
(F)*6



5

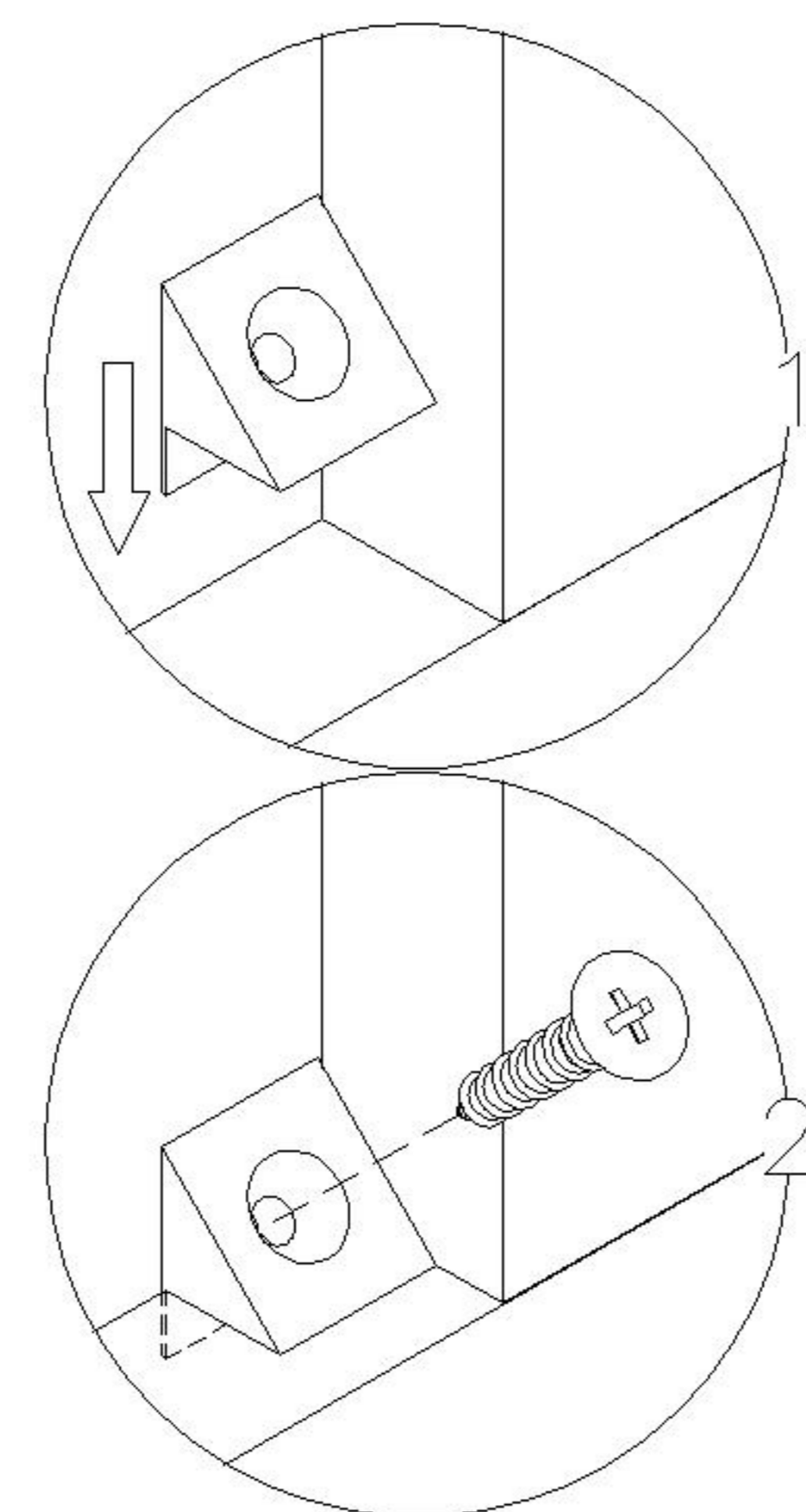
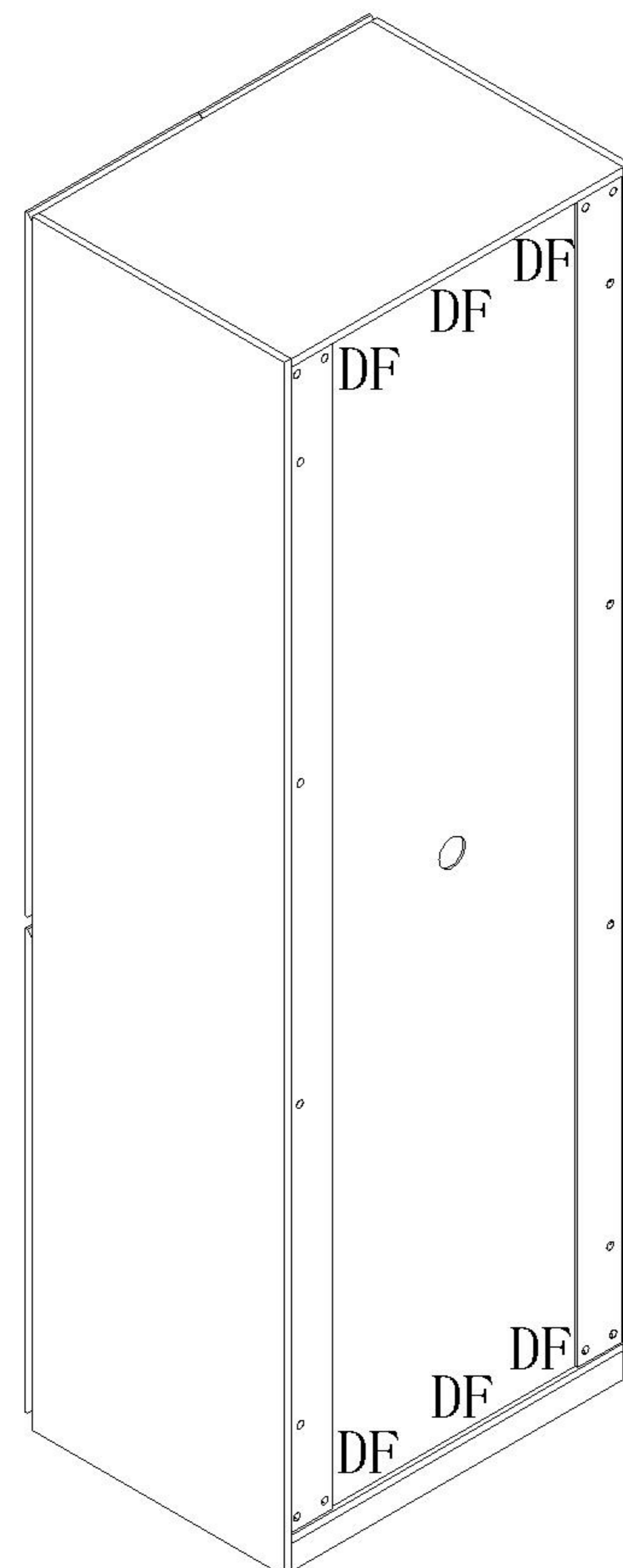


(G)*10



此处缝隙设计为开门板使用
小心夹伤
The gap here is designed for
use with door panels
Be careful of pinch injuries

6



7