

# LINSY 林氏家居

## 安装示意图/Assembly Instruction

产品名称 Model NO. **BS230-A#**

产品规格 Specification **左单人+右三人 Individual(L)+ 3seat(R)**

尺寸组合 Combined size **2800\*1040\*870mm**

成品部件明细 Finished Parts Details	编号 NO.	名称 Name	规格 Specification	数量 QTY	材质 Material
	1	左单人 Individual(L)	1000*1040*870mm	1	实木+夹板+海绵+乳胶棉+科技布 Solid wood + plywood + sponge + latex cocoon + technology cloth
	2	右三人 3seat(R)	1800*1040*870mm	1	实木+夹板+海绵+乳胶棉+科技布 Solid wood + plywood + sponge + latex cocoon + technology cloth
	3				

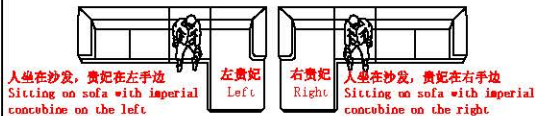
制图 Draw **C20**

### 配件表 Accessories list

编号NO.	名称 Name	图示 Icon	数量 QTY	左单人 Individual(L)	右三人 3seat(R)
A	说明书(含安装图) Mounting Instruction (with drawing)		1	0	1
B	φ70*30mm黑色橡胶木脚 φ70*30mm black rubber wood foot		8	4	4
C	脚-(直径50*28mm)不带钉黑胶脚 Feet -(diameter 50*28mm) Vinyl feet without nails		1	0	1
D	M4*40自攻螺丝 M4*40 self tapping screw		17	8	9
E	4分双勾么术布条60cm 4 points double hook cloth 60cm		3	1	2
F					
G					
H					
I					
J					

如何区分沙发的左右方向?  
How to zone the left and right direction of the sofa?

(图示仅供分辨方向用/Picture are for orientation only)



安装人数  
Installer



充电式手电钻Cordless hand drill  
或者Or  
十字螺丝刀Phillips screwdriver

客户安装前须知:  
Customers need to know before installation:  
此安装图为“左单人+右三人”的位置关系。  
This installation picture is "Individual (L)+ 3seat(R)"

2-1

### 左单人 Individual (L)

STEP 1:

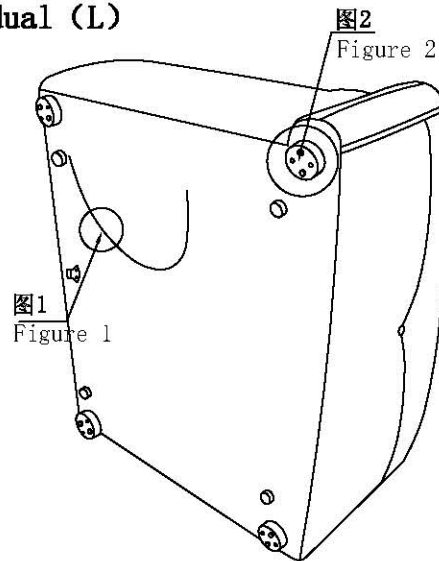


图1: 拉开拉链, 取出配件  
Figure 1: Unzip and remove the fitting

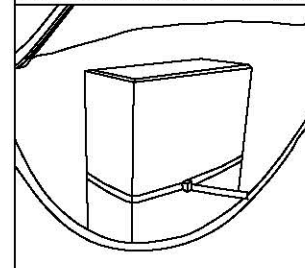
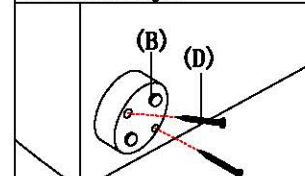


图2: 边脚安装示意图  
Figure 2: Side and foot installation diagram



按打工画点安装  
Install according to the palpable drawing point

### 右三人 3seat(R)

STEP 1:

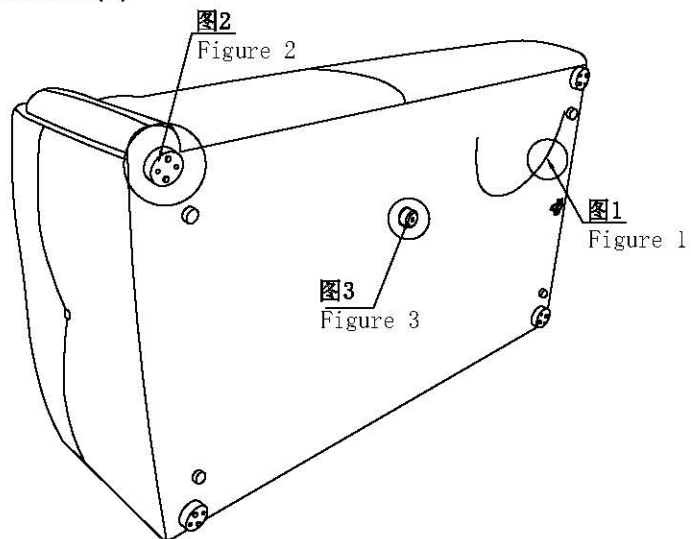
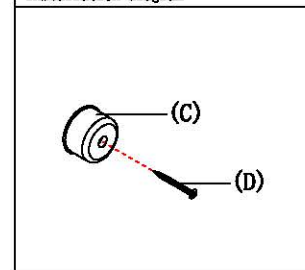
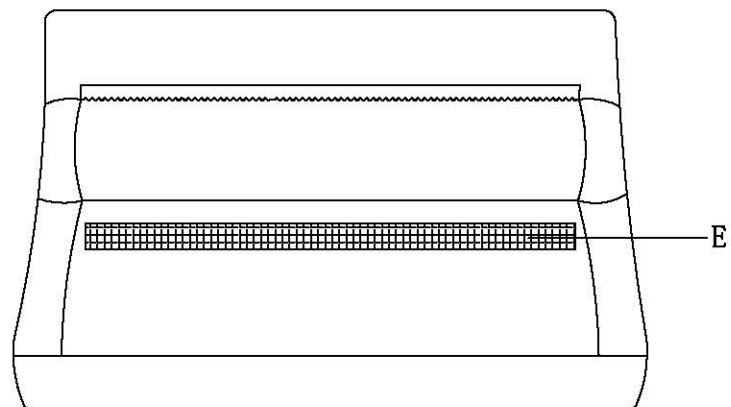


图3: 中脚安装示意图  
Figure 3: Middle foot installation diagram



## 靠包 On package \* 3

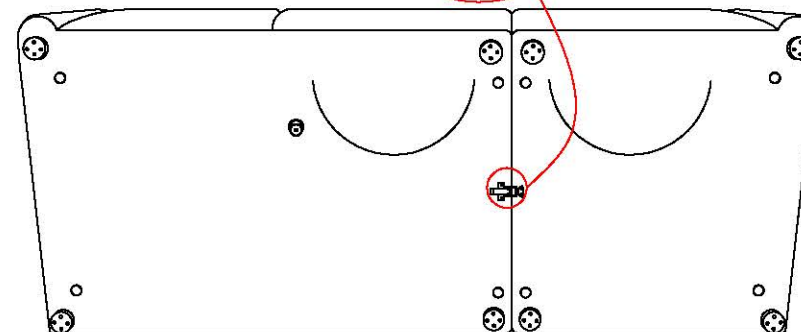
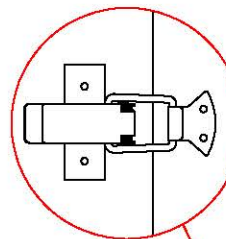


注：靠包背面要粘贴上4分双勾么术布条 60cm  
Note: The back of the bag should be pasted with a 4-cent double hook cloth 60cm

## 组合 Combination

2-2

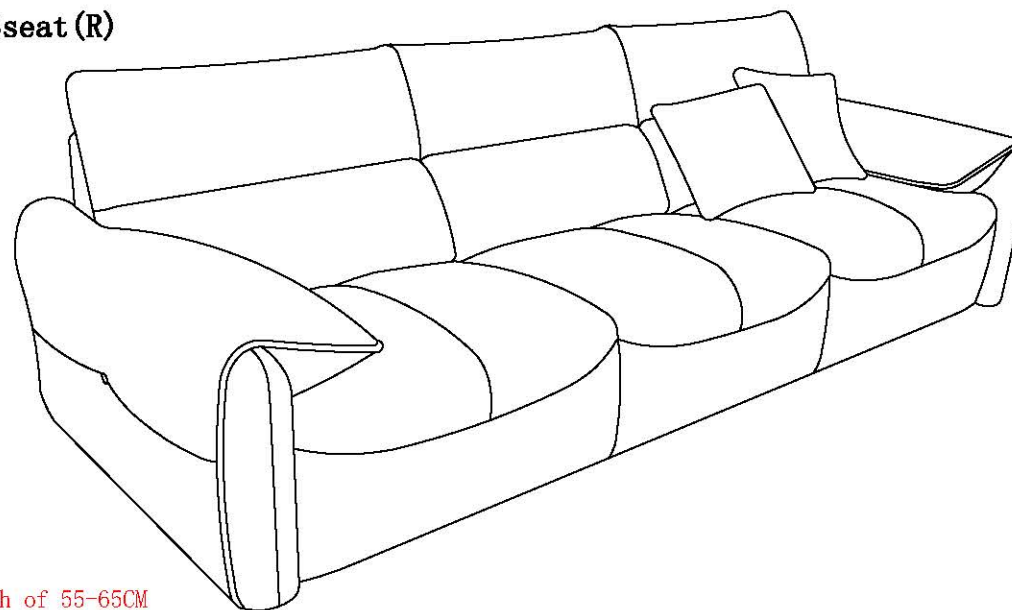
挂扣  
Hook



把左单人和右三人靠一起，锁上座架底的五金扣。  
Put the Individual(L) and the 3seat(R) together,  
and lock the metal buckle at the bottom of the seat frame.

## 组合图 Combination

左单人+右三人 Individual(L) + 3seat(R)



\*该产品为定制产品，座深尺寸为55-65CM

\*This product is customized with a seat depth of 55-65CM