

LINSY 林氏家居

安装示意图/Assembly Instruction

产品名称 Model NO. BS230-A#

产品规格 Specification 大左单人+大右三人
Big Individual(L)+ Big 3seat(R)

尺寸组合 Combined size 3100*1040*870mm

成品 部件明细 Finished Parts Details	编号 NO.	名称 Name	规格 Specification	数量 QTY	材质 Material
	1	大左单人 Big Individual(L)	1100*1040*870mm	1	实木+夹板+海绵+乳胶脚+科技布 Solid wood + plywood + sponge + latex cocoon + technology cloth
2	大右三人 Big 3seat(R)	2000*1040*870mm	1	实木+夹板+海绵+乳胶脚+科技布 Solid wood + plywood + sponge + latex cocoon + technology cloth	

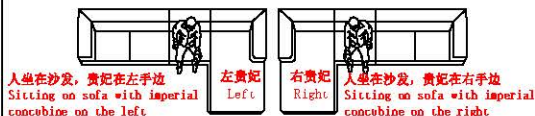
制图 Draw C20

配件表 Accessories list

编号NO.	名称 Name	图示 Icon	数量 QTY	大左单人 Big Individual(L)	大右三人 Big 3seat(R)
A	说明书(含安装图) Mounting Instruction (with drawing)		1	0	1
B	φ70*30mm黑色橡胶木脚 φ70*30mm black rubber wood foot		8	4	4
C	脚-(直径50*28mm)不带钉黑胶脚 Feet -(diameter 50*28mm) Vinyl feet without nails		2	0	2
D	M4*40自攻螺丝 M4*40 self tapping screw		18	8	10
E	4分双勾么术布条70cm 4 points double hook cloth 70cm		3	1	2
F					
G					
H					
I					
J					

如何区分沙发的左右方向?
How to zone the left and right direction of the sofa?

(图示仅供分辨方向用/Picture are for orientation only)



安装人数
Installer



充电式手电钻Cordless hand drill

或者Or

十字螺丝刀Phillips screwdriver

客户安装前须知:

Customers need to know before installation:
此安装图为“大左单人+大右三人”的位置关系。
This installation picture is "Big Individual (L)+ Big 3seat (R)"

2-1

大左单人 Big Individual (L)

STEP 1:

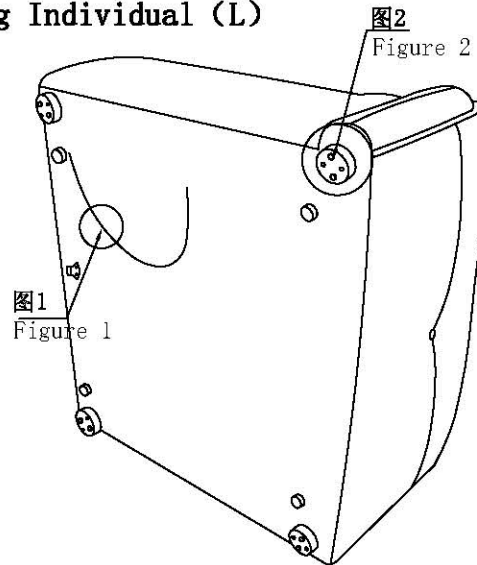


图1: 拉开拉链, 取出配件
Figure 1: Unzip and remove the fitting

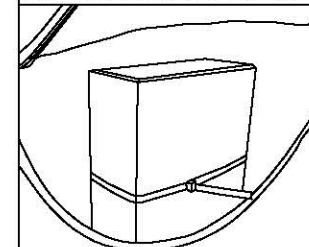
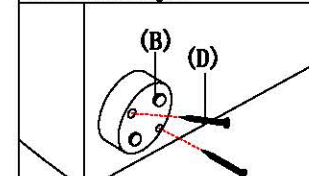
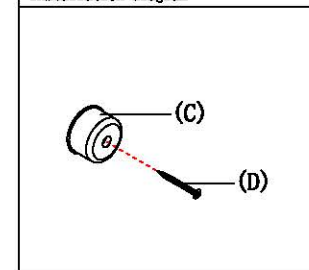


图2: 边脚安装示意图
Figure 2: Side and foot installation diagram



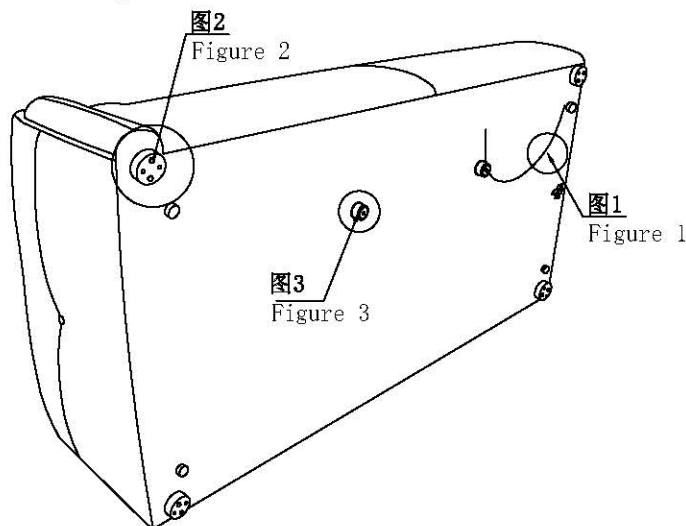
按打工画点安装
Install according to the palpable drawing point

图3: 中脚安装示意图
Figure 3: Middle foot installation diagram

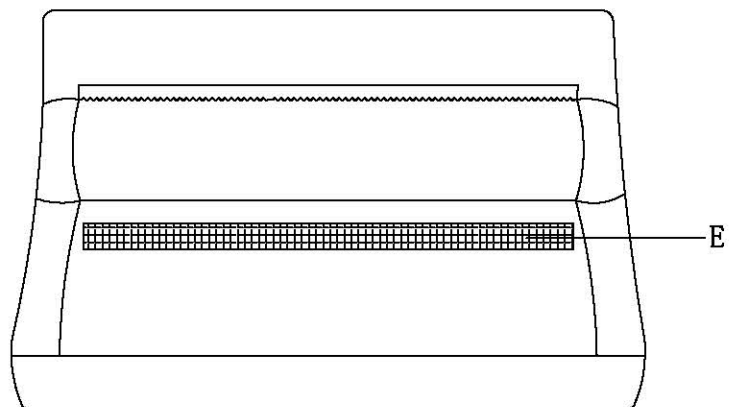


大右三人 Big 3seat (R)

STEP 1:



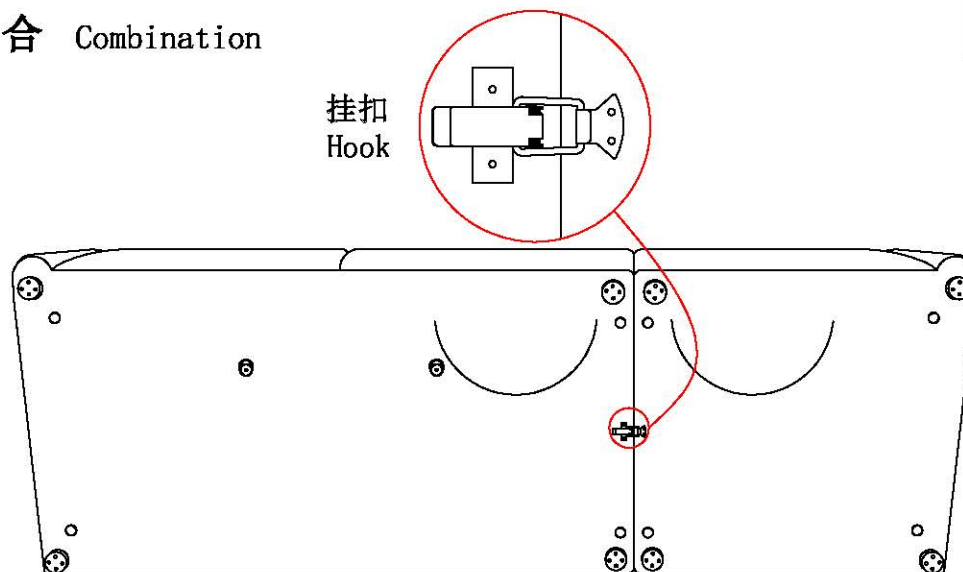
靠包 On package * 3



注：靠包背面要粘贴上4分双勾么术布条70cm
Note: The back of the bag should be pasted with a 4-cent double hook cloth 70cm

组合 Combination

2-2



把大左单人和大右三人靠一起，锁上座架底的五金扣。
Put the Big Individual(L) and the Big 3seat(R) together,
and lock the metal buckle at the bottom of the seat frame.

组合图 Combination

大左单人+大右三人 Big Individual(L) + Big 3seat(R)

