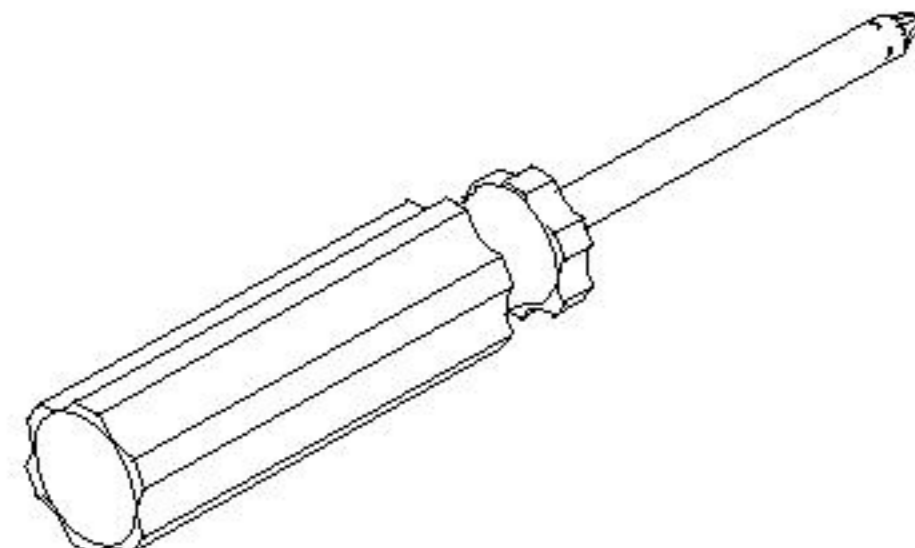
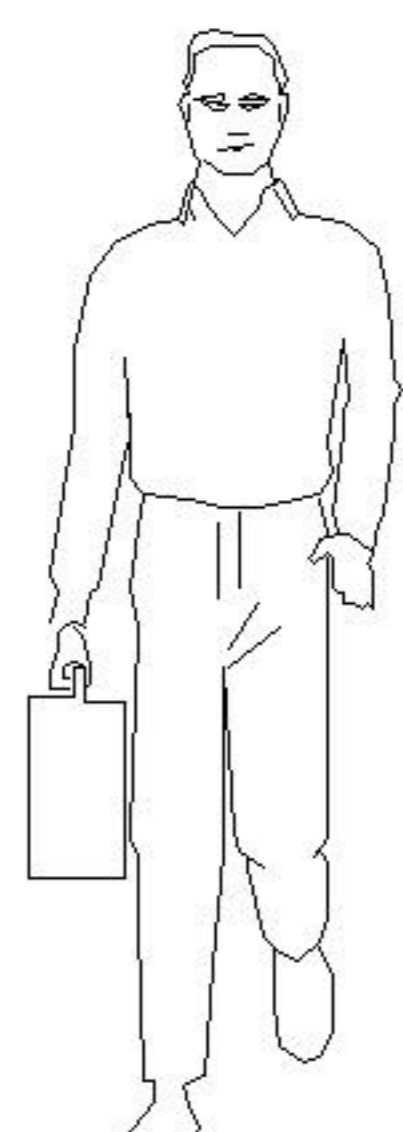


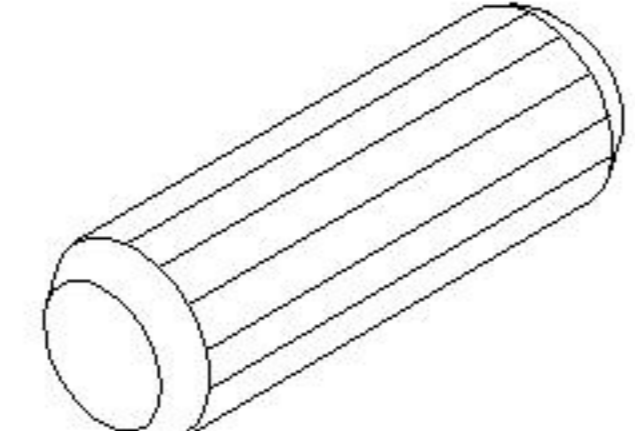
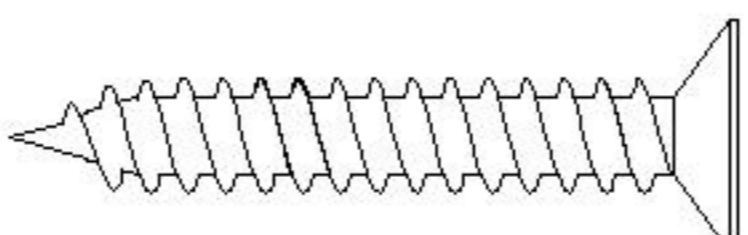
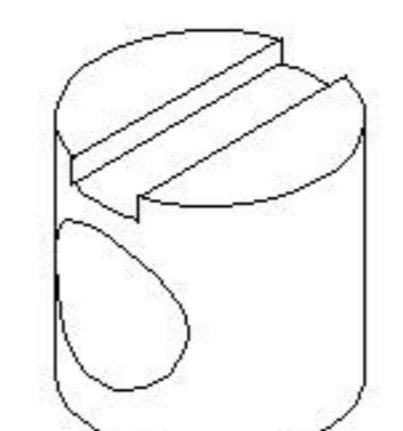
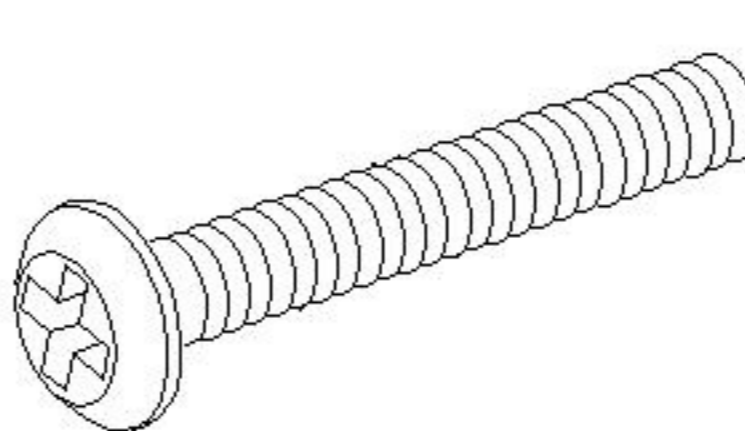
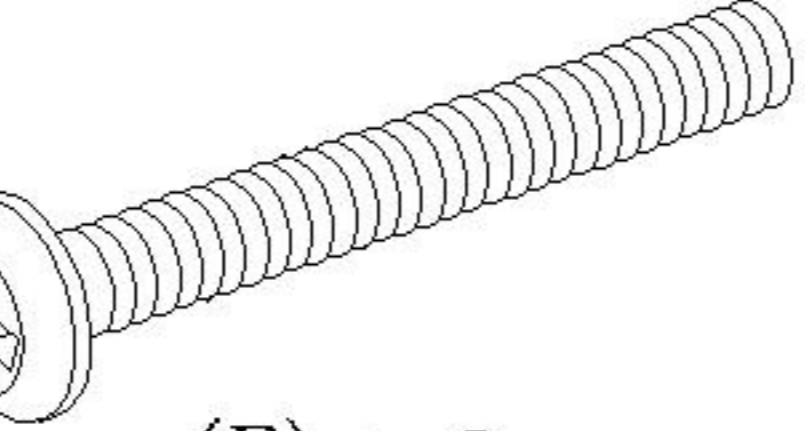
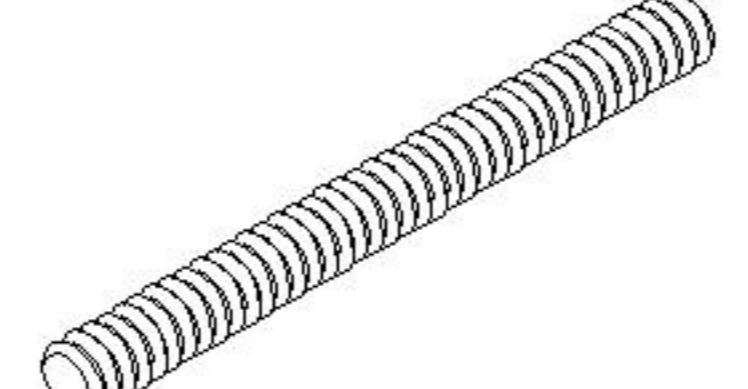
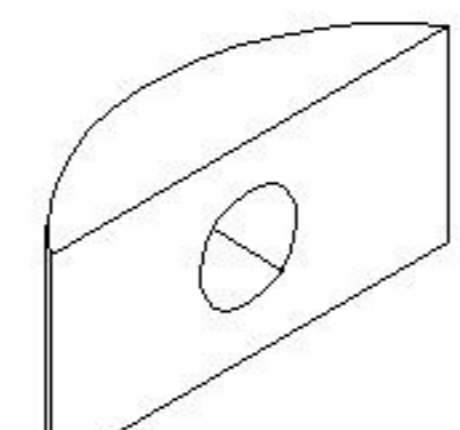
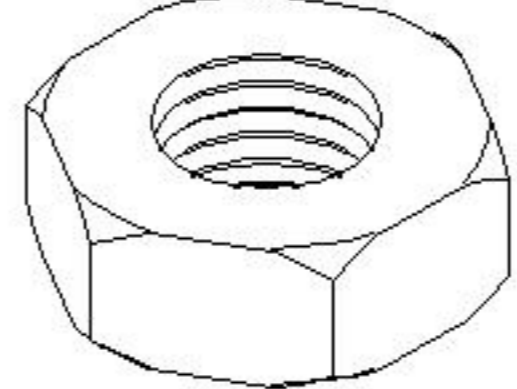
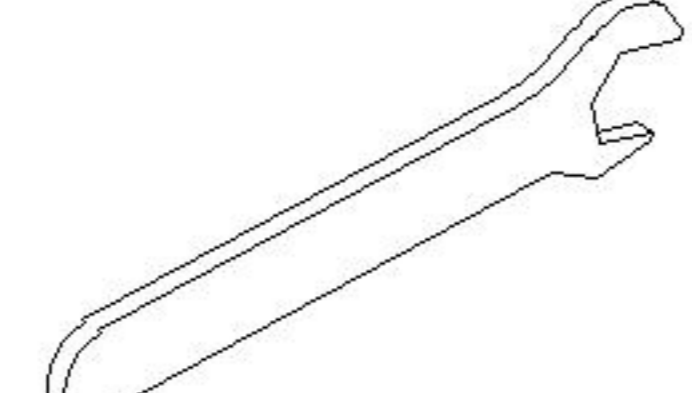
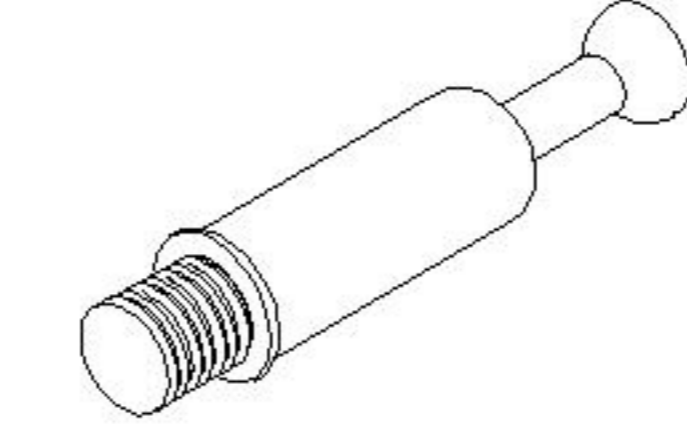

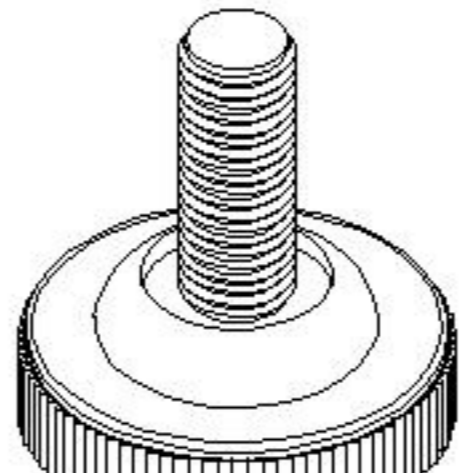
LINSY 林氏家居

五金表/Hardware list

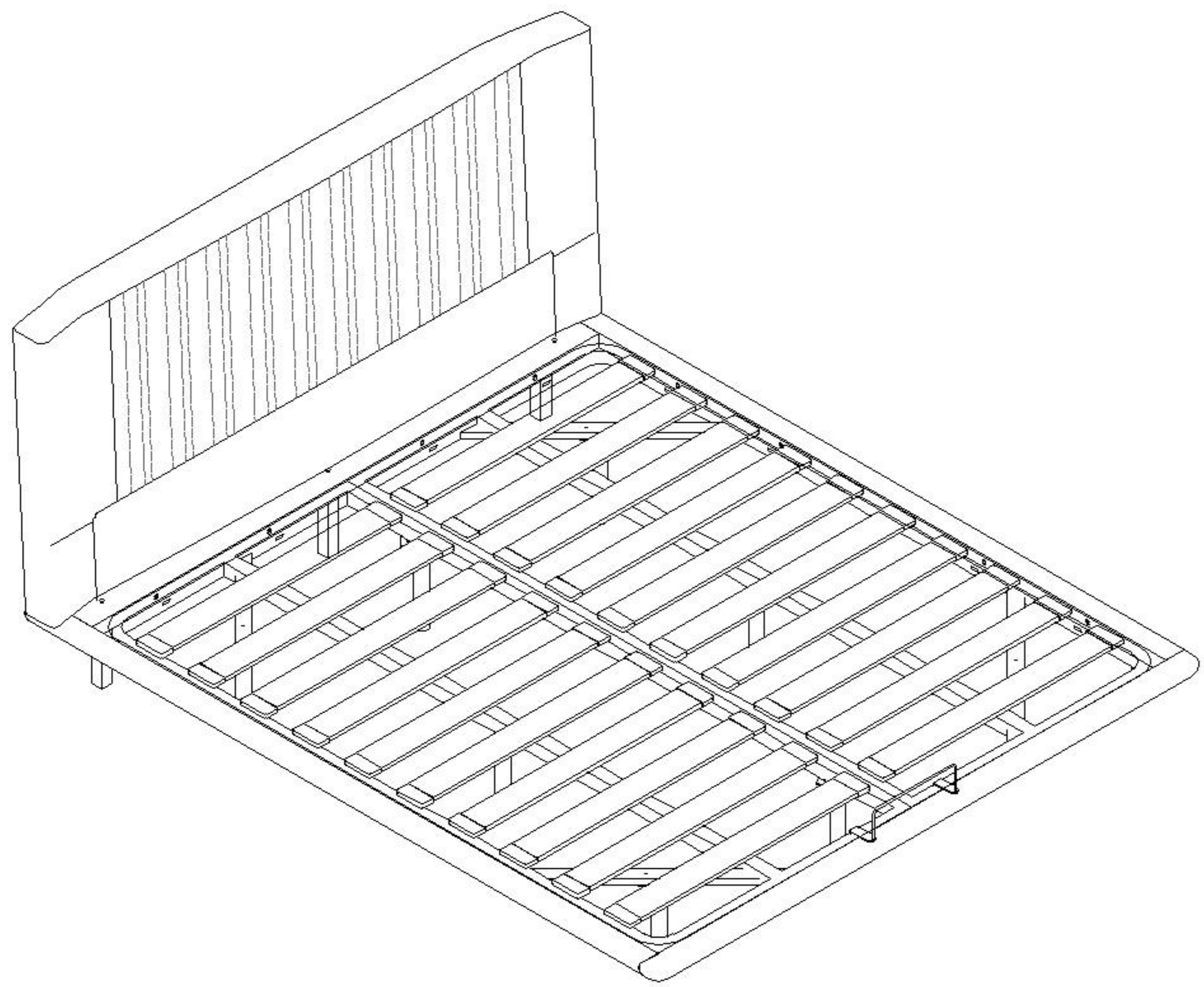
部件表/Parts List

安装示意图/Assembly Instruction

产品名称 Model NO.	PM1A-A(1.5m)
产品规格 Specification	2224*1620*1050mm
安装工具 Tool	安装人数 Installer
	

 (A)* 4 木榫Ø10x40mm wood tenon	 (B)* 8 自攻螺丝M4x50mm Self-tapping screw	 (C)* 3 锤母-(M8*15mm) Hammer nut	 (D)* 16 斜边十字螺杆-M8x50 bevel cross screw
 (E)* 3 斜边十字螺杆-M8x70 bevel cross screw	 (F)* 4 全牙螺杆-M8x80mm screw- color zinc	 (G)* 4 五合一月牙 5-in-1 screw	 (H)* 4 外六角螺母M8 Hexagon Nut colored zinc
 (I)* 1 开口扳手14mm Wrench- Open End Wrench	 (J)* 2 二合一螺杆 2-in-1-screw	 (K)* 2 大三合一锁饼 Three-in-one large lock	 (L)* 3 调节五金脚-M8x30 Adjusting foot

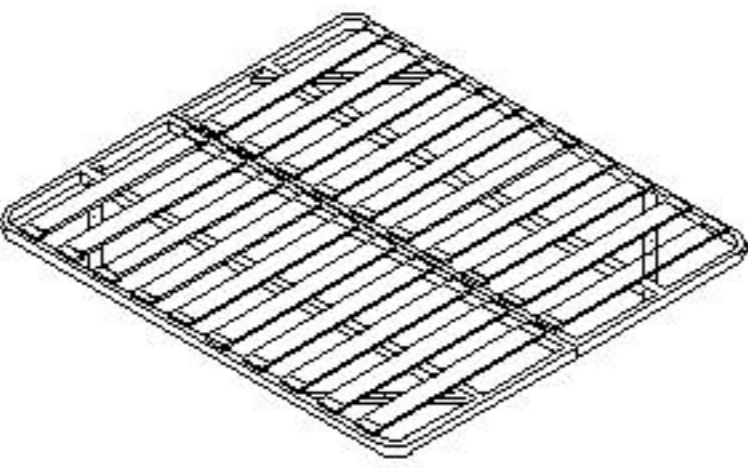
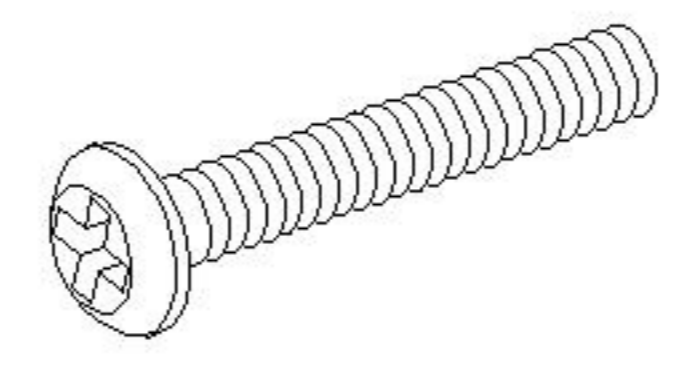
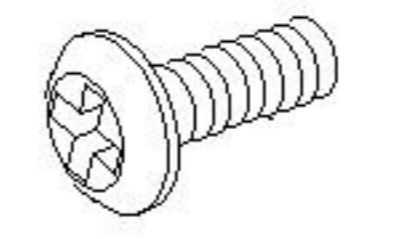
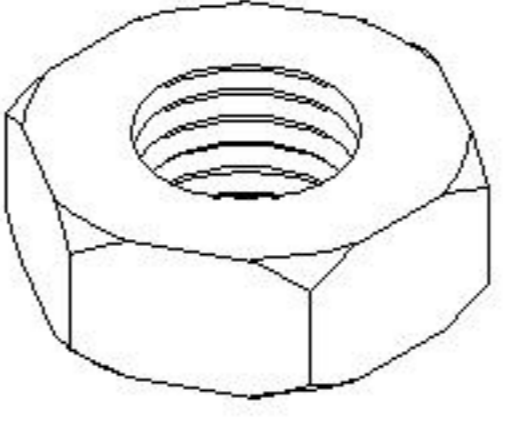
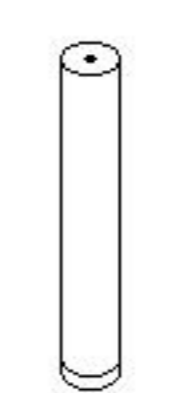
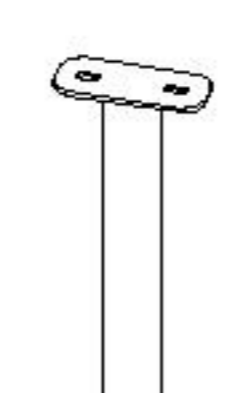
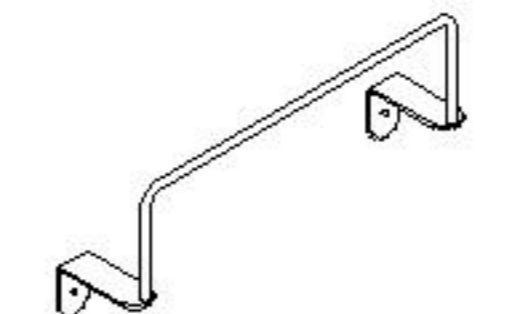
编号NO.	名称Name	规格 (mm) Specification	数量 QTY	材质Material
①	左床侧 Bedside(L)	2108*68*40	1	实木Wood
②	右床侧 Bedside(R)	2108*68*40	1	实木Wood
③	床尾 Bed tail	1561*68*40	1	实木Wood
④	中拉条 Brace	1425*120*40	1	实木Wood
⑤	中脚 Middle foot	204*40*40	3	实木Wood
⑥	软包 Soft roll	1620*790*200	1	软包 Soft roll

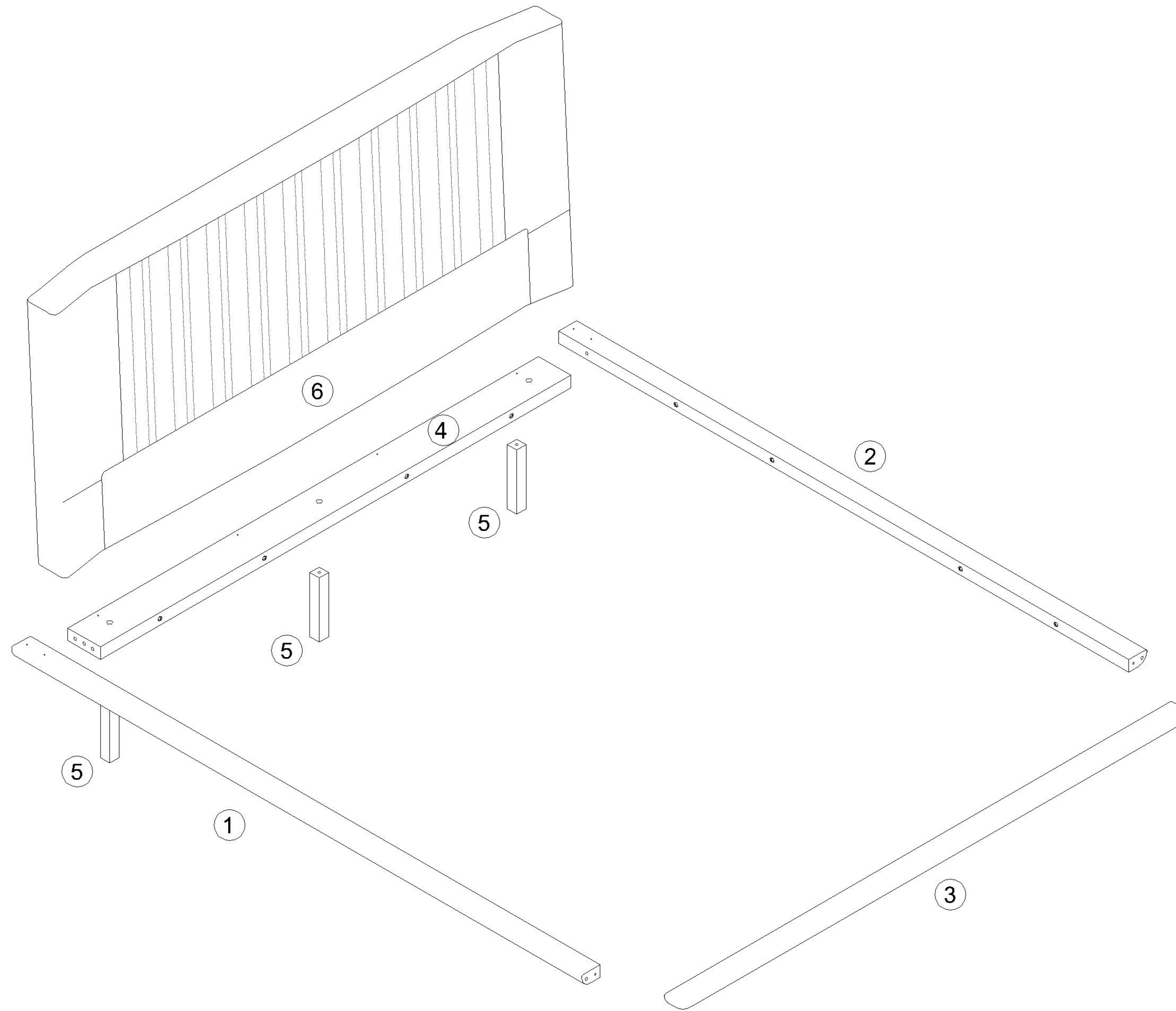


► 本产品建议配搭床垫厚度：180-220mm

This product is recommended to be paired with a mattress thickness of - mm

排骨架内带五金 Row frame with hardware

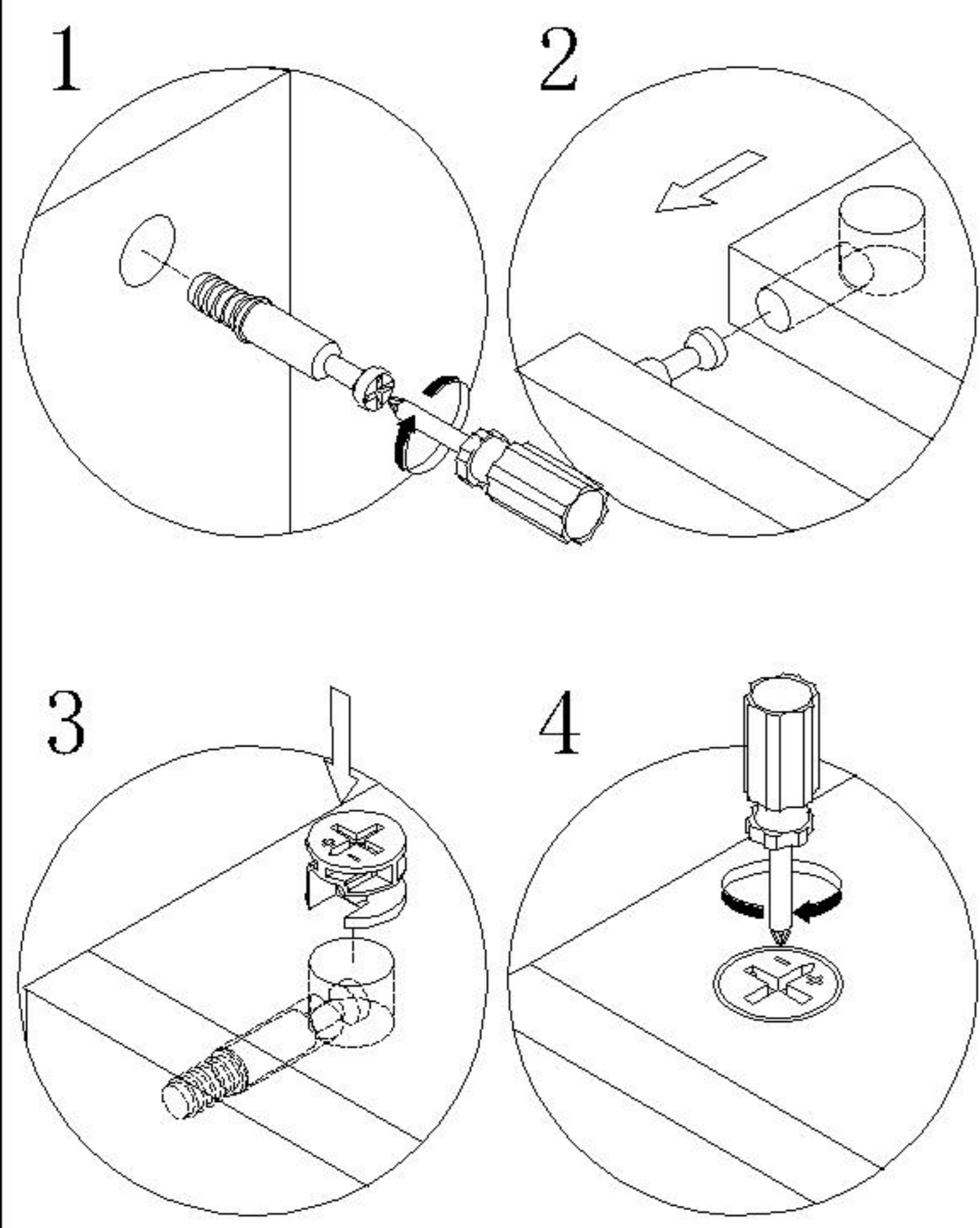
 (T)*1 排骨架-1.5 Row of skeleton	 (U)*14 斜边十字螺杆-M8x55 Bevel cross screw	 (V)*2 斜边十字螺杆-M6*20 Bevel cross screw	 (W)*12 外六角螺母M8 Hexagon Nut
 (X)*2 中脚 Middle foot	 (Y)*6 边脚 Side foot	 (Z)*1 床垫挡条 The mattress block	



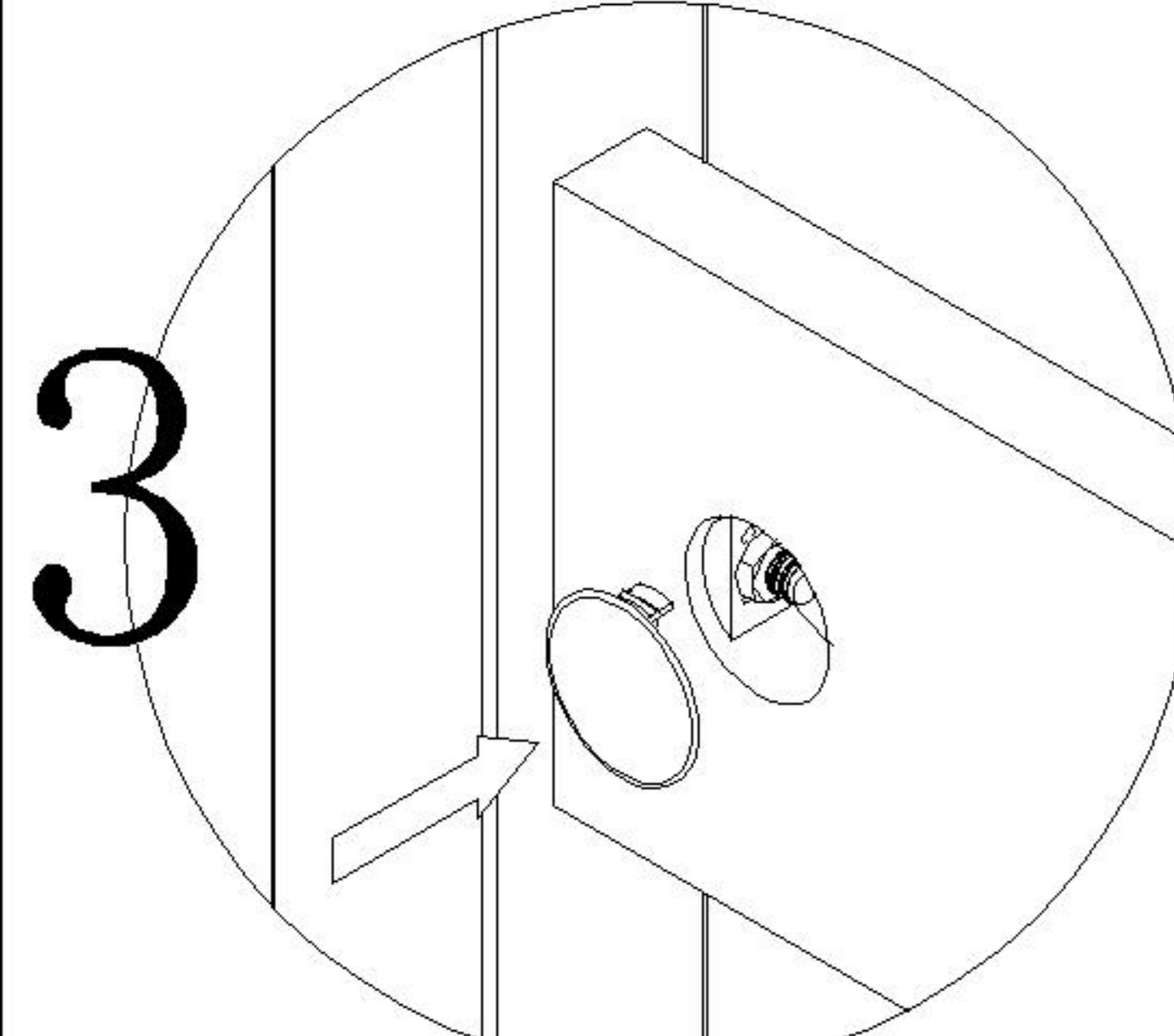
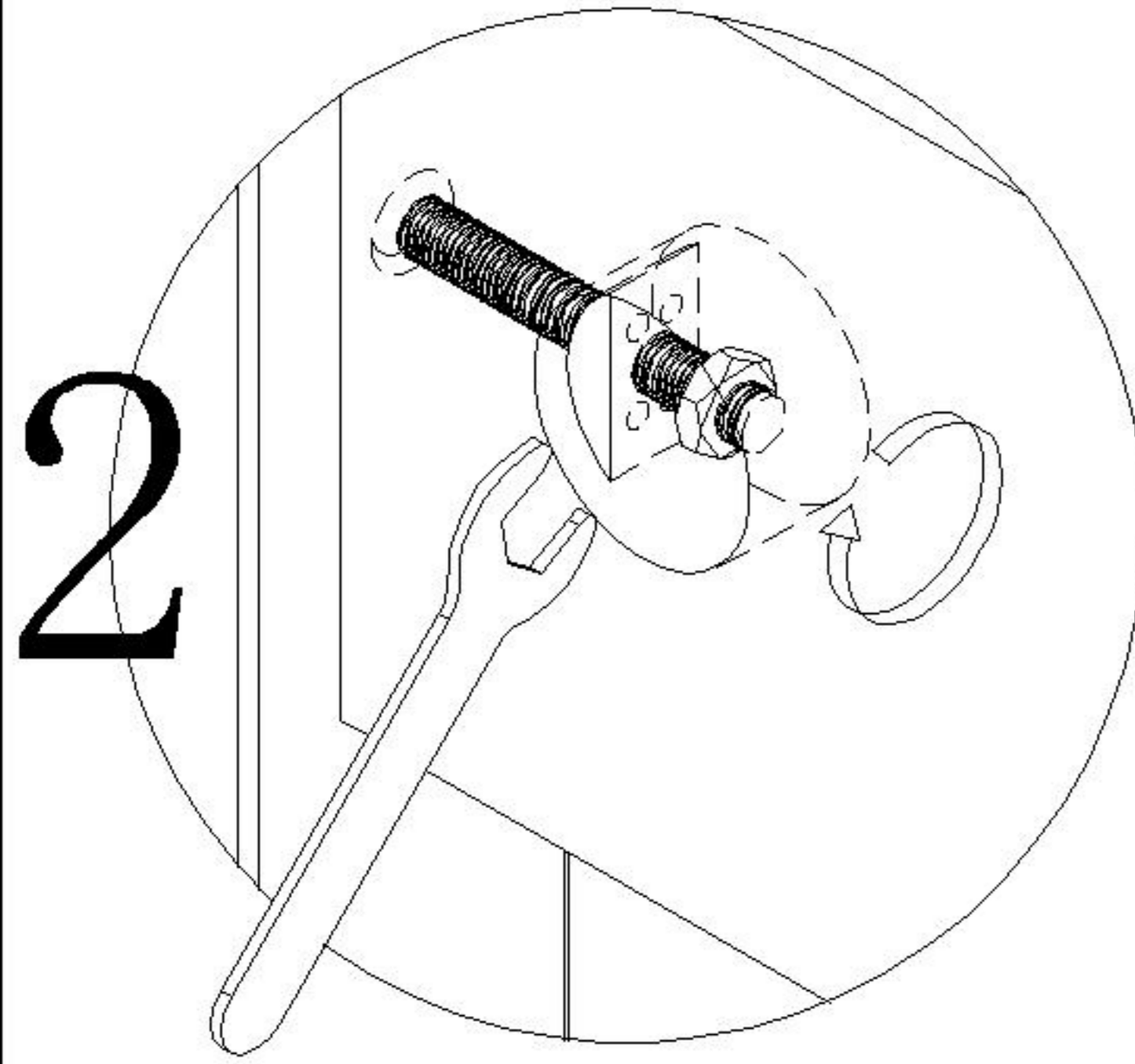
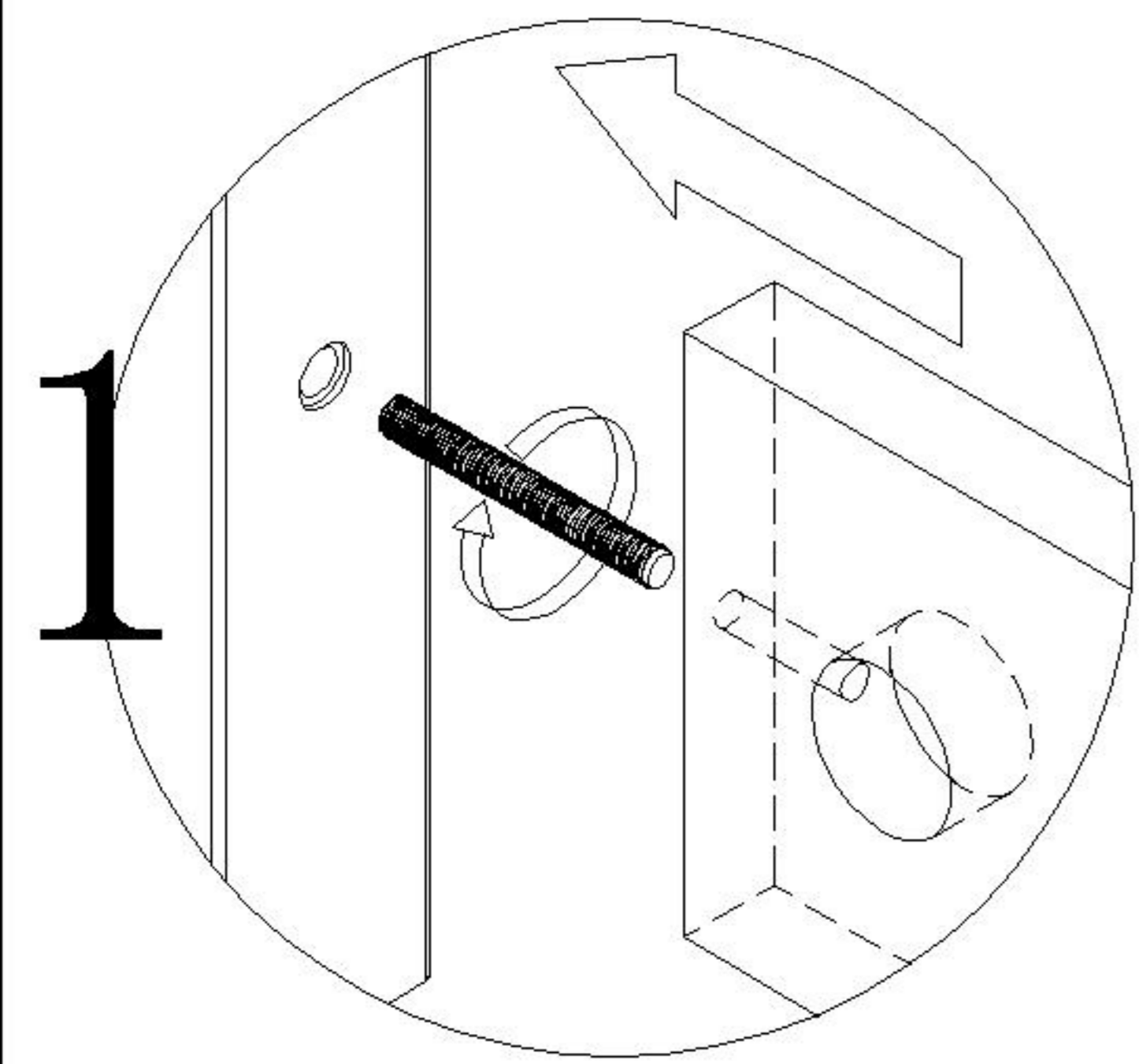
①	左床侧 Bedside(L)
②	右床侧 Bedside(R)
③	床尾 Bed tail
④	中拉条 Brace
⑤	中脚 Middle foot
⑥	软包 Soft roll

PM1A-A (1.5m)

安装方法/
Installation method



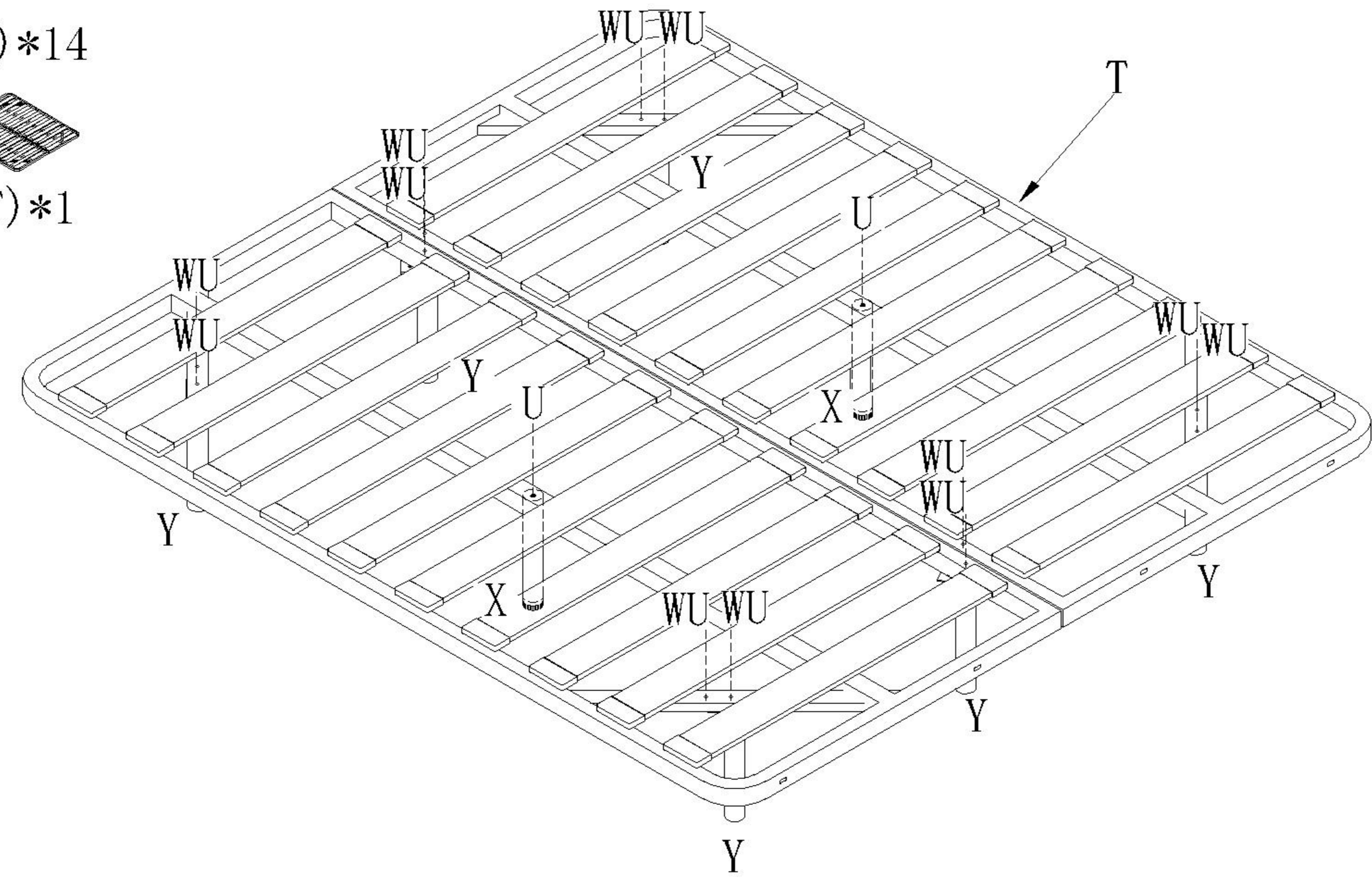
大二合一
two-in-one



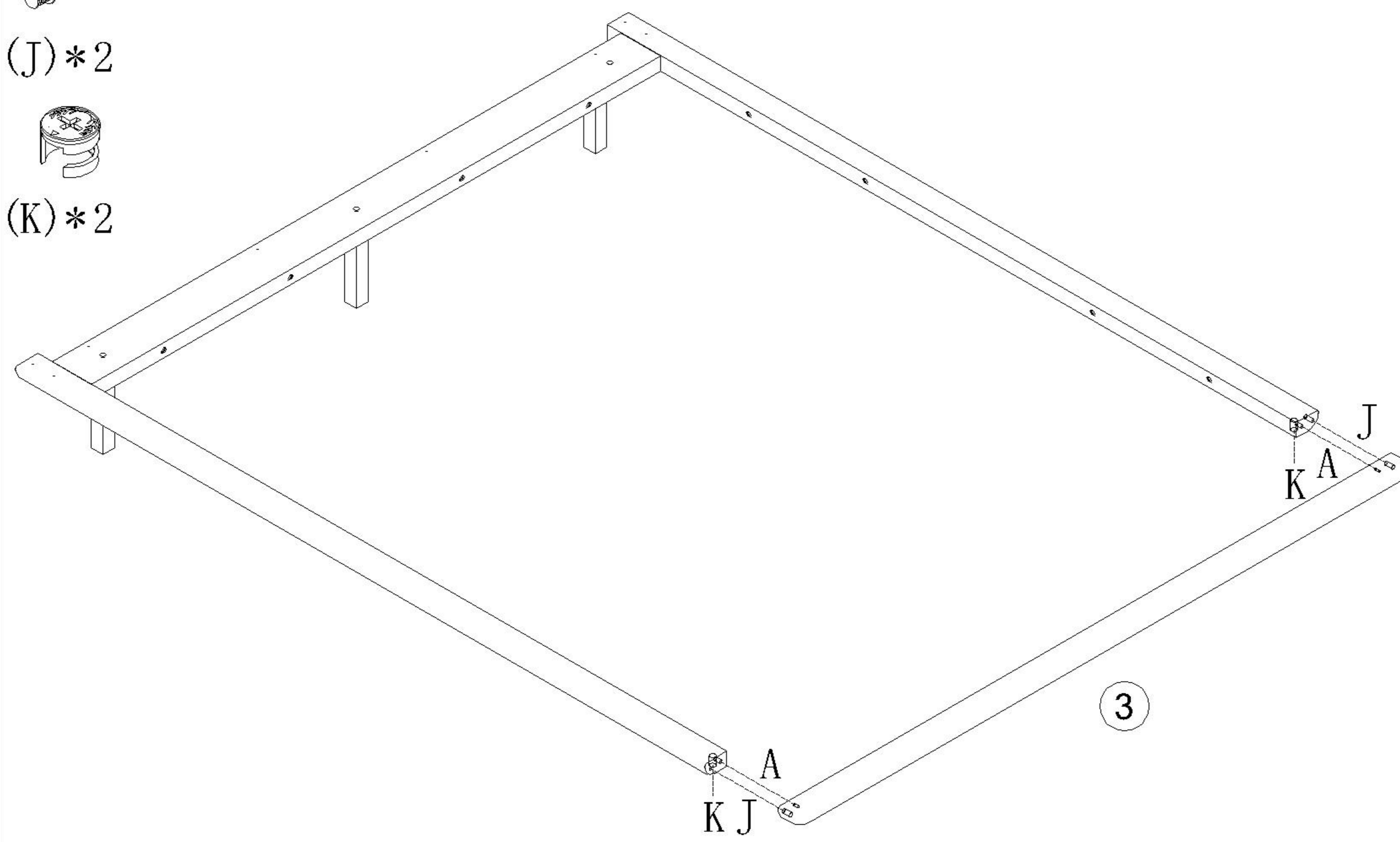
五合一
5-in-1

- (W)*12 (X)*2 (Y)*6

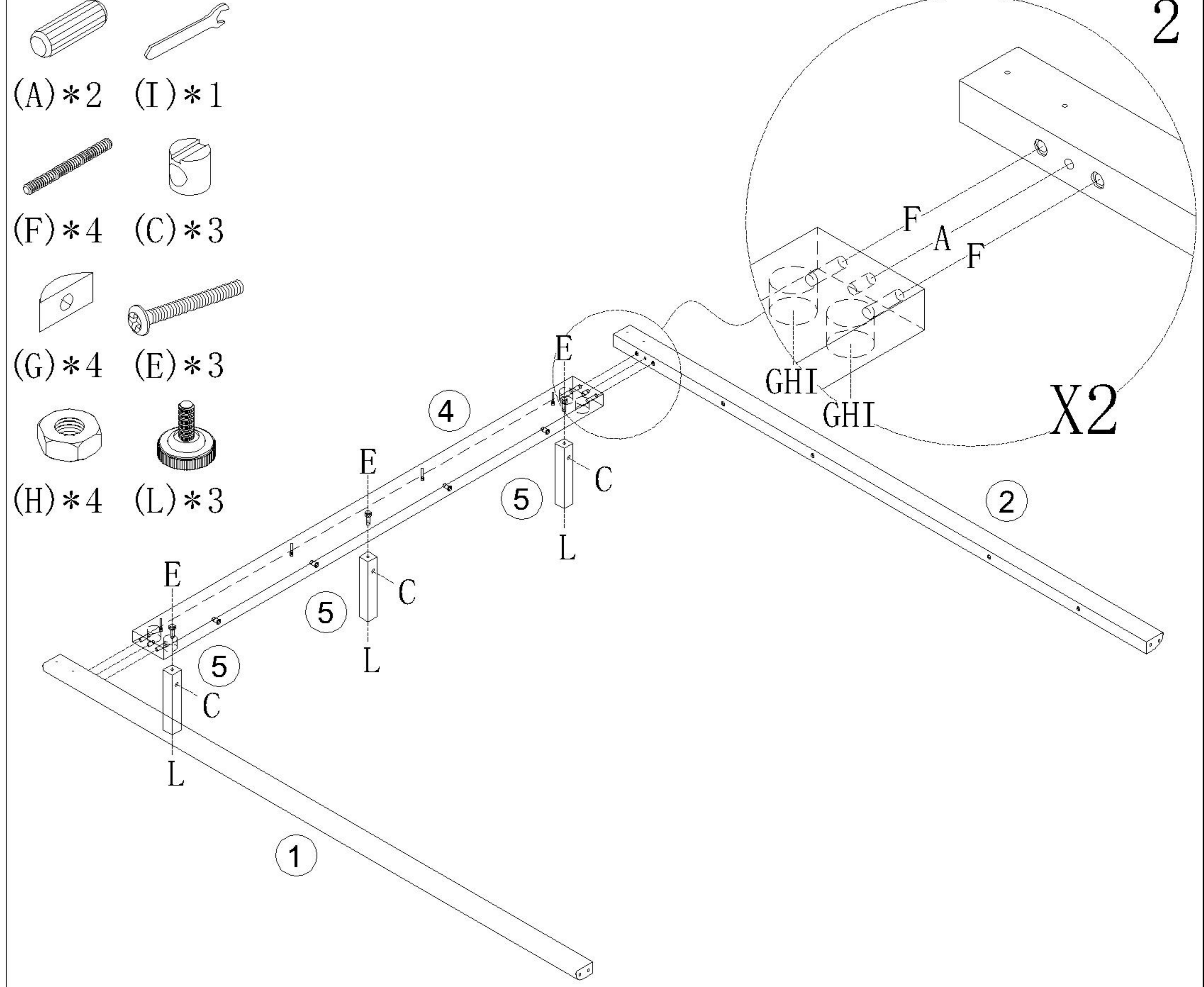
- (U)*14
- (T)*1



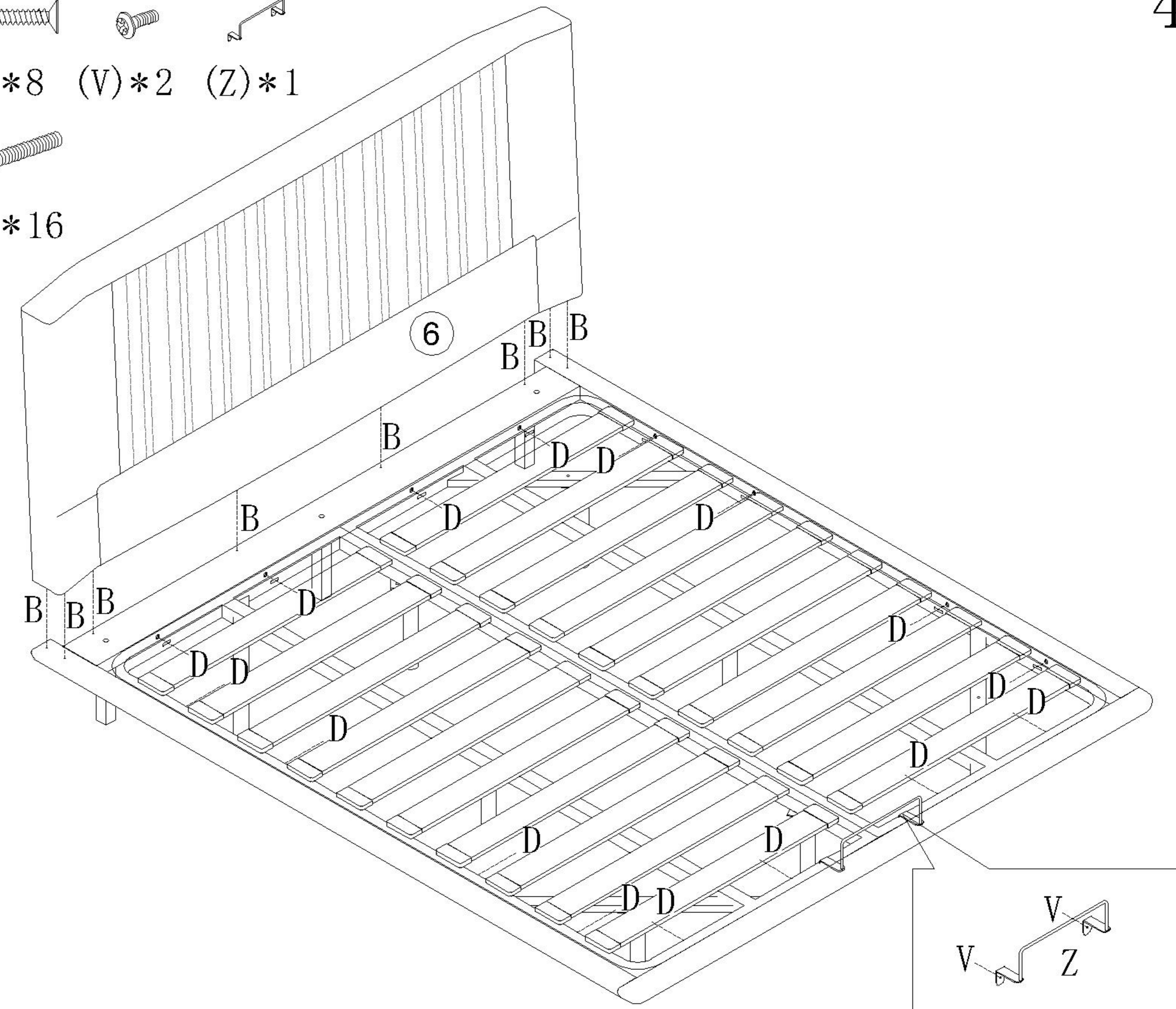
- (A)*2
- (J)*2
- (K)*2



- (A)*2 (I)*1
- (F)*4 (C)*3
- (G)*4 (E)*3
- (H)*4 (L)*3

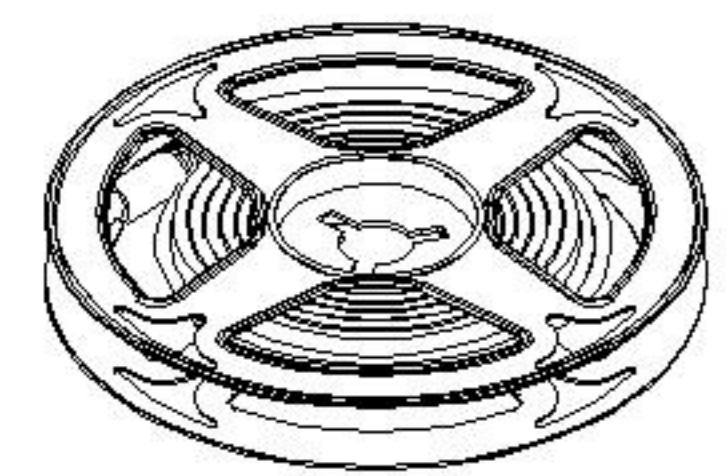


- (B)*8 (V)*2 (Z)*1
- (D)*16

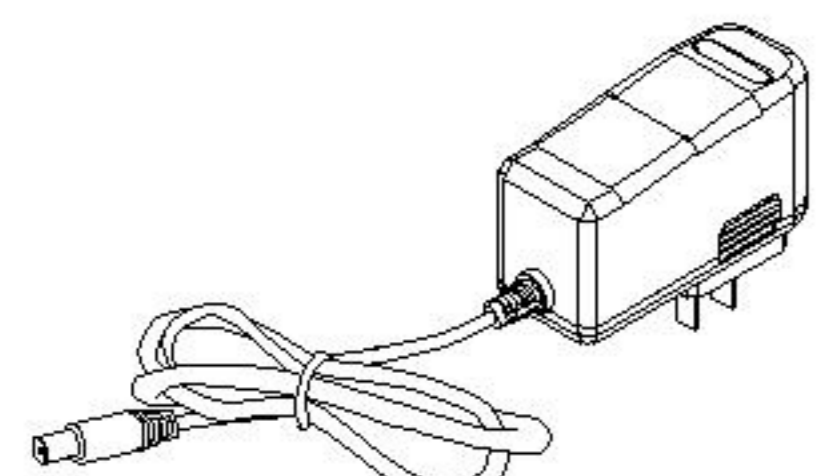


安装示意图/Assembly Instruction

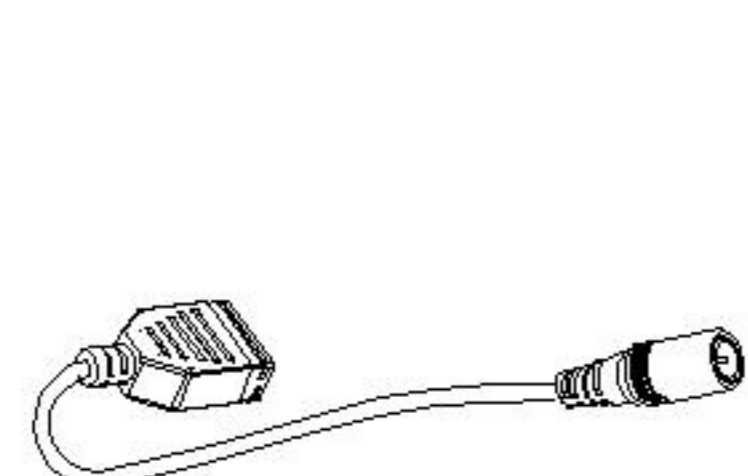
产品名称 Model NO. LED感应灯
Led induction lamp



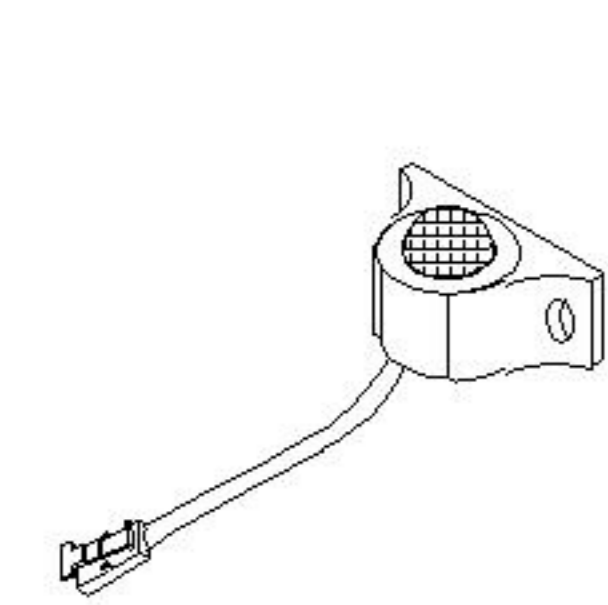
(A)*1



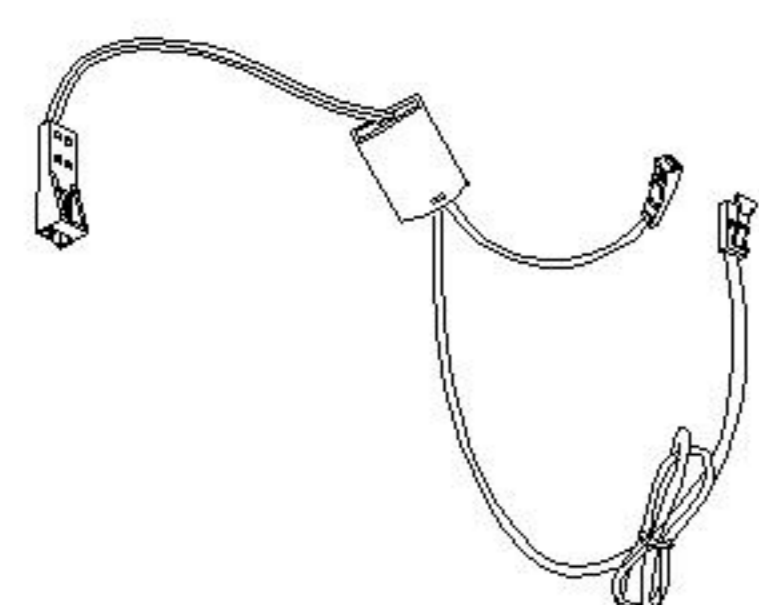
(B)*1



(C)*1



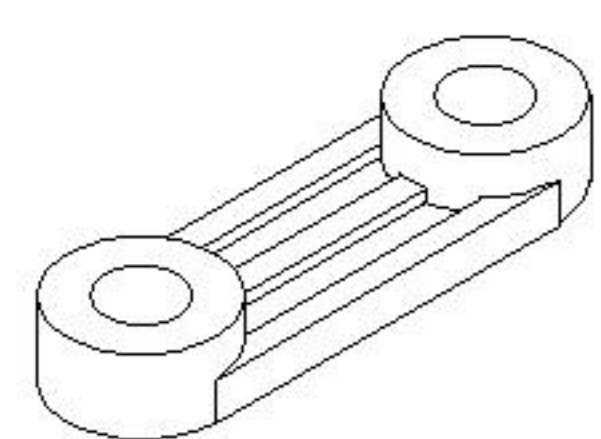
(D)*2



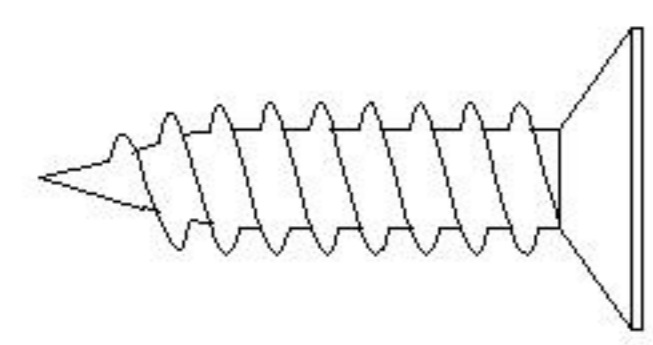
(E)*2



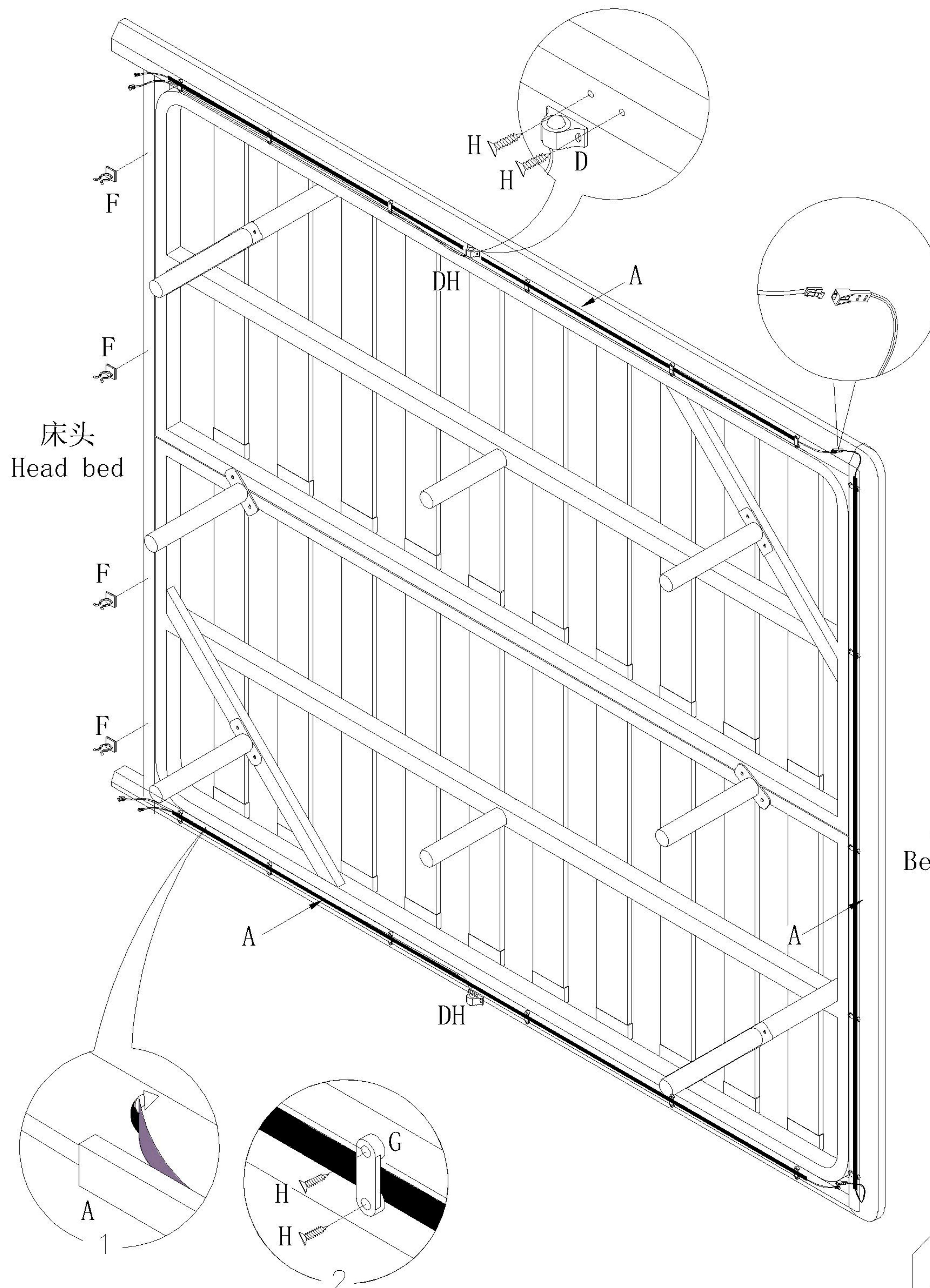
(F)*4



(G)*25



(H)*54



床头
Head bed

床尾
Bed tail

将线从两边绕到床头后面用五金F跟G固定
Wind the thread from both sides Secure with hardware F and G behind the head of the bed

