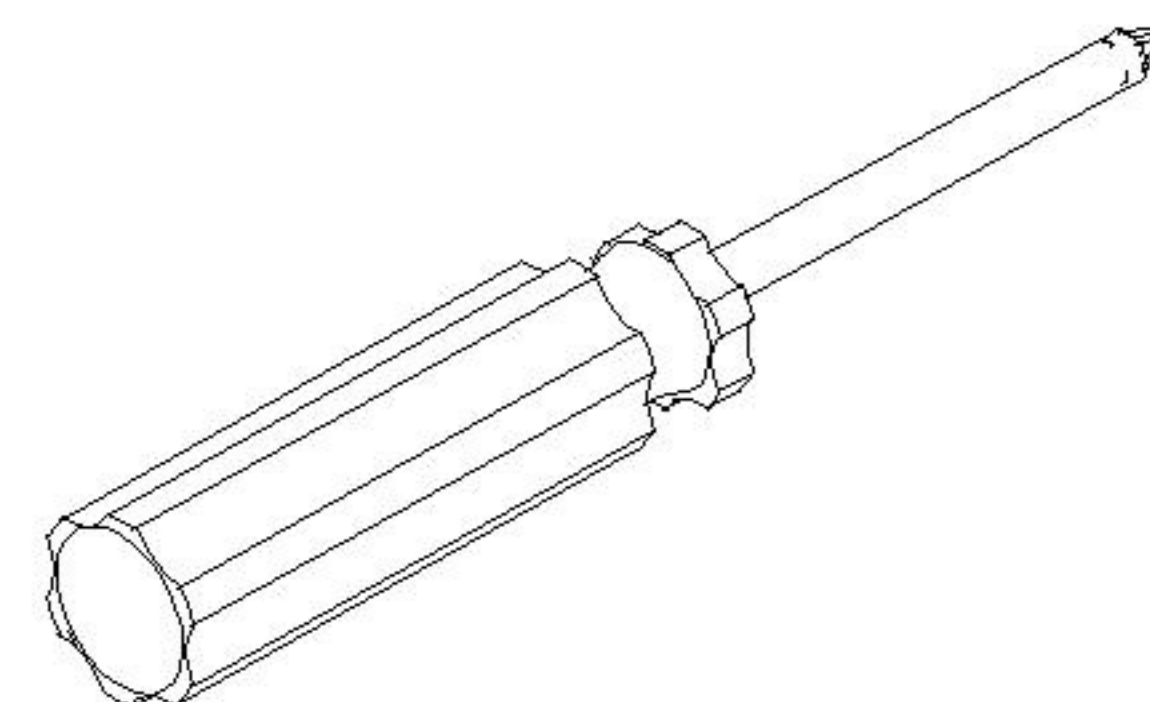
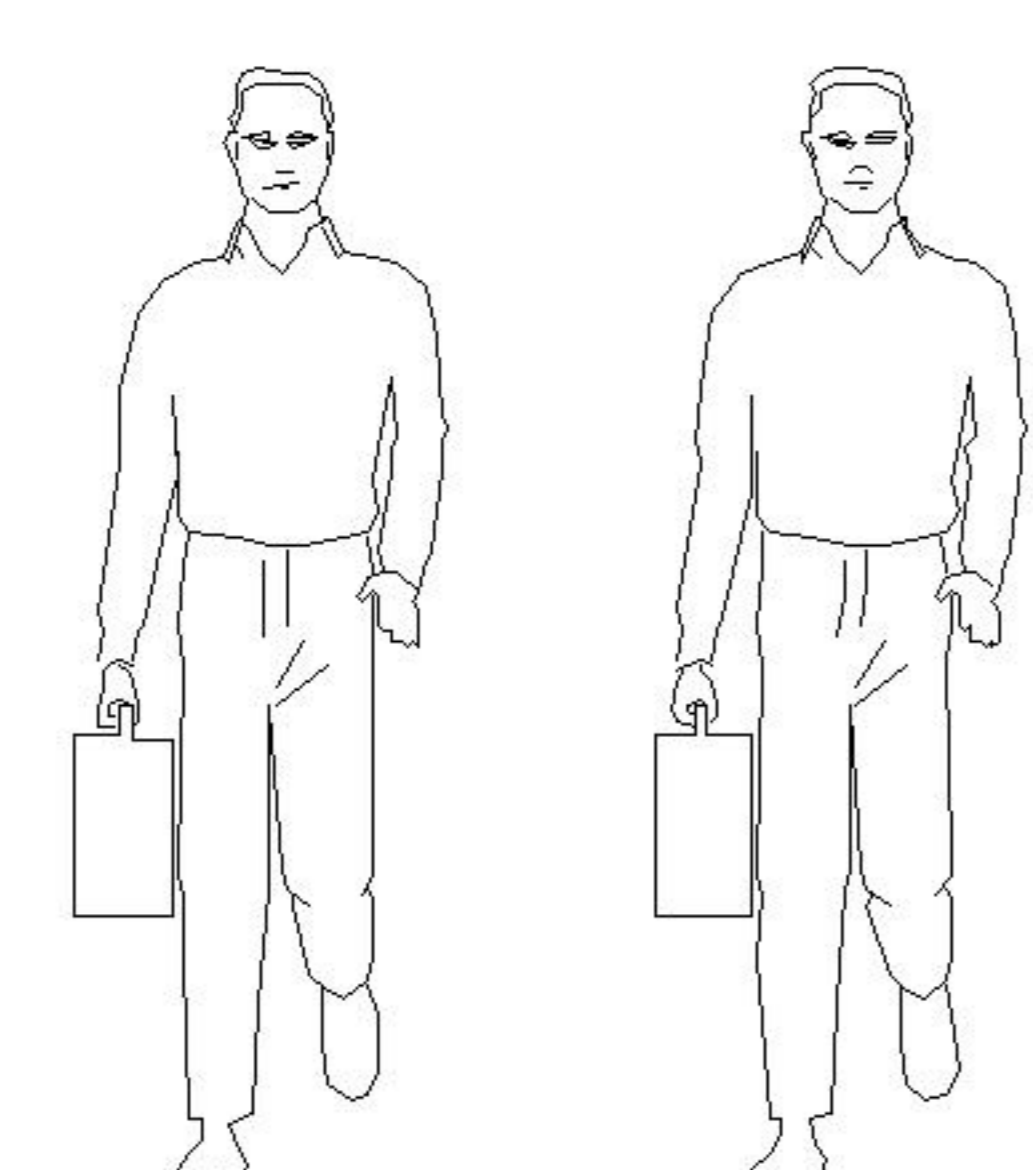


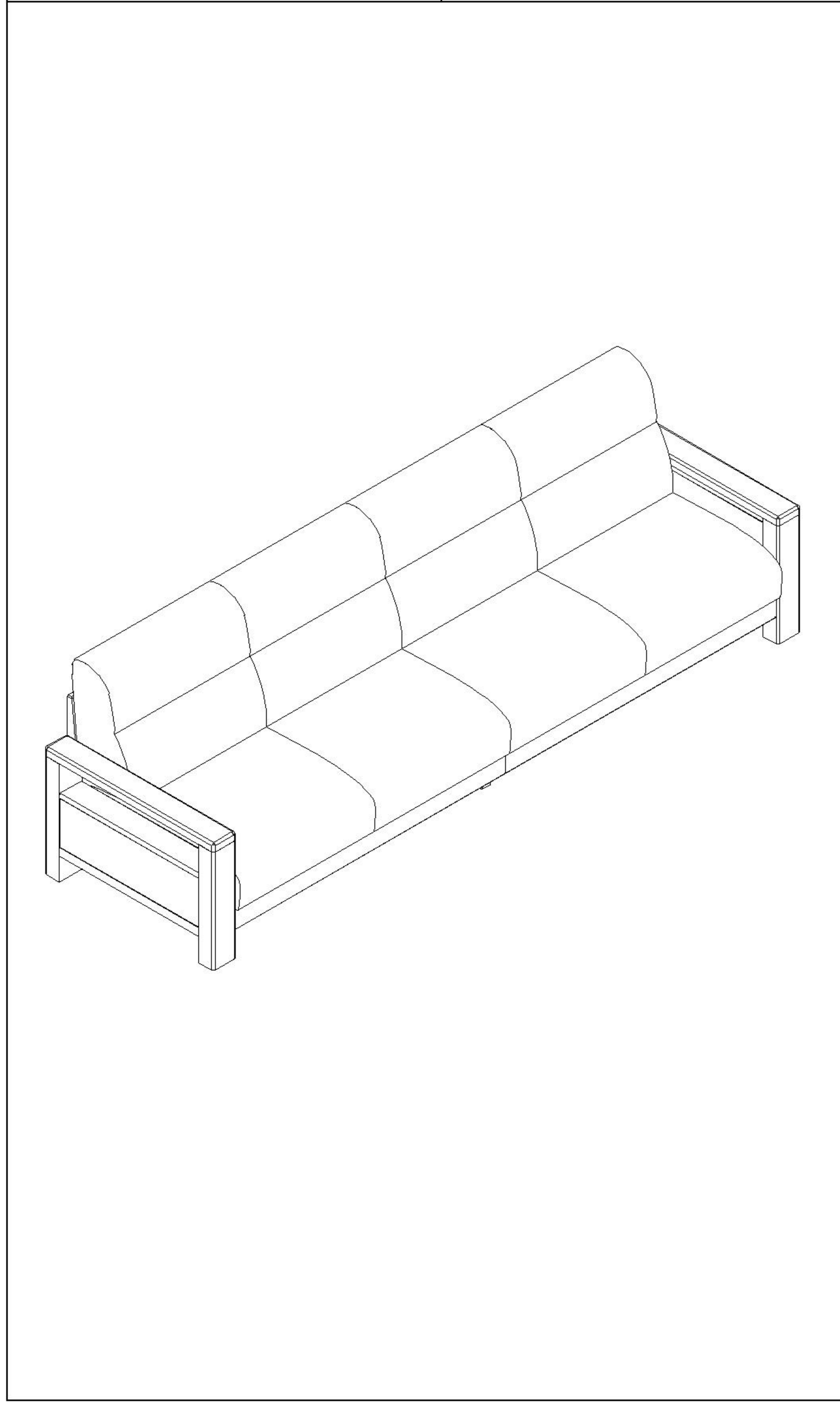
LINSY 林氏家居

五金表/Hardware list

部件表/Parts List

安装示意图/Assembly Instruction

产品名称 Model NO.	LH565K1-B小四人位沙发
产品规格 Specification	3100*927*950 mm
安装工具 Tool	安装人数 Installer
	

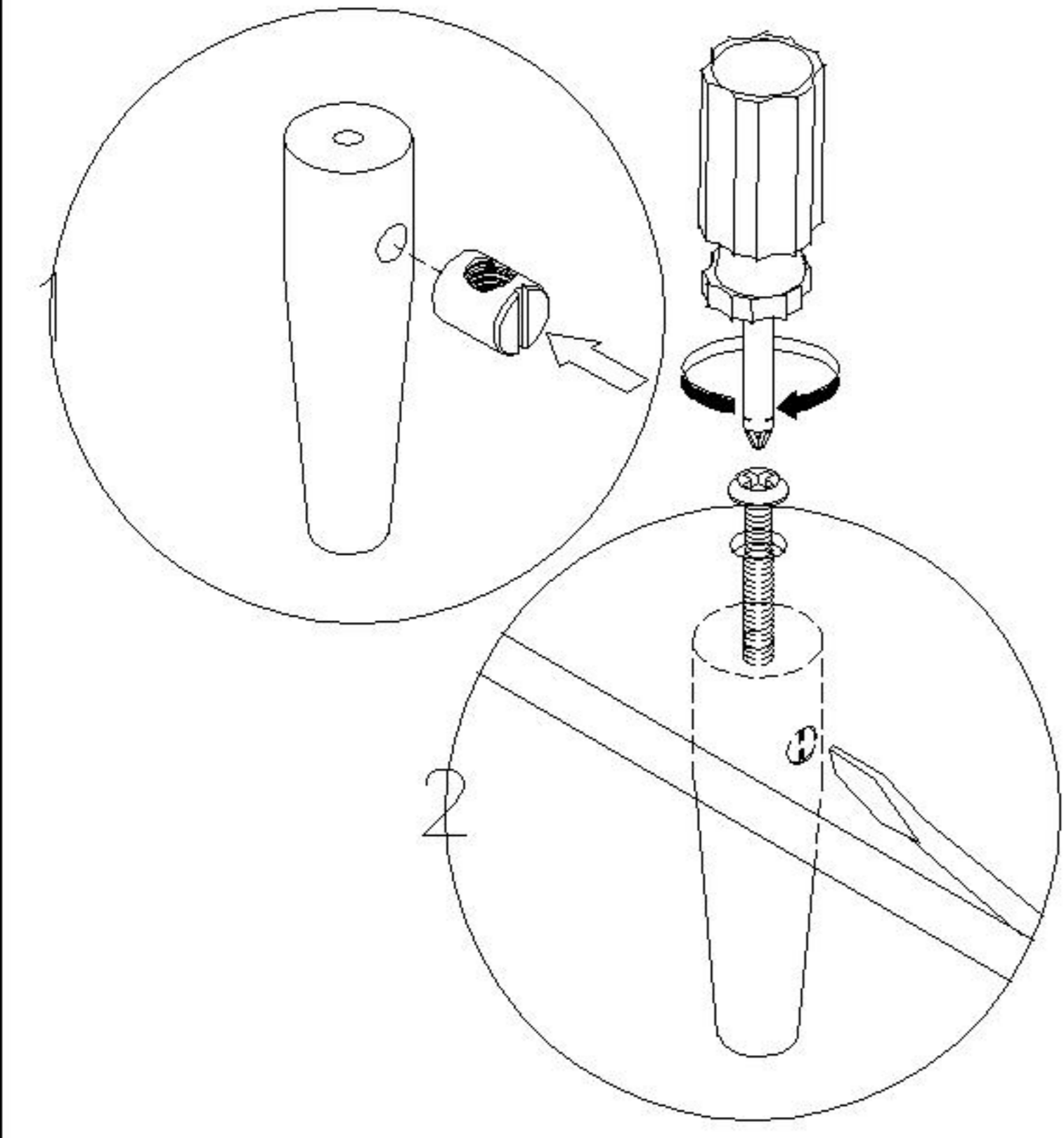


 (A)* 8 9厘透明防滑PVC脚垫 Rubber stopper	 (B)* 8 斜边内六角螺杆M8x40 Beveled hexagon socket head screw	 (C)* 4 斜边内六角螺杆M8x65 Beveled hexagon socket head screw	 (D)* 1 内六角扳手5mm spanner-(5mm) hex
 (E)* 4 锤母-M8 Ø12x15mm Hammer nut	 (F)* 3 调节五金脚-M8x30 Adjusting foot	 (G)* 8 自攻螺丝M1x50mm Self-tapping screw	 (H)* 21 自攻螺丝M1x35mm Self-tapping screw
 (I)* 10 开口挡块 Opening stopper	 (J)* 10 全牙螺杆-M6x70mm screw- color zinc	 (K)* 10 外六角螺母M6 Hexagon Nut colored zinc	 (L)* 1 开口扳手10mm Wrench- Open End Wrench
 (M)* 6 透明防撞垫片Ø10x1.5 Transparent anti collision gasket	 (N)* 13 木榫Ø10x40mm wood tenon	 (O)* 4 夹板丝-M8x20mm Splint screw	

编号NO.	名称Name	规格 (mm) Specification	数量QTY	材质Material
①	靠背组立 back assembly	1430*756*110	1	实木+木皮板 wood+Wood Veneer
②	右扶手 Armrest (R)	894*580*145	1	实木+木皮板 wood+Wood Veneer
③	左扶手 Armrest (L)	894*580*145	1	实木+木皮板 wood+Wood Veneer
④	左立水组立 Left standing water formation	1430*100*46	1	实木wood
⑤	右立水组立 Stand water on the right	1430*100*46	1	实木wood
⑥	中立水 Neutral water	800*70*26	2	实木wood
⑦	边立水 Edge water	800*70*26	2	实木wood
⑧	左中脚 Left middle crus	113*32*32	2	实木wood
⑨	中脚 middle crus	113*52*32	1	实木wood
⑩	座框 Seat frame	1428*798*20	1	实木+木皮板 wood+Wood Veneer
⑪	靠背组立 back assembly	1430*756*110	1	实木+木皮板 wood+Wood Veneer
⑫	座框 Seat frame	1428*798*20	1	实木+木皮板 wood+Wood Veneer
⑬	靠包 Back rest		4	软包 Soft bag
⑭	座包 Seat		4	软包 Soft bag

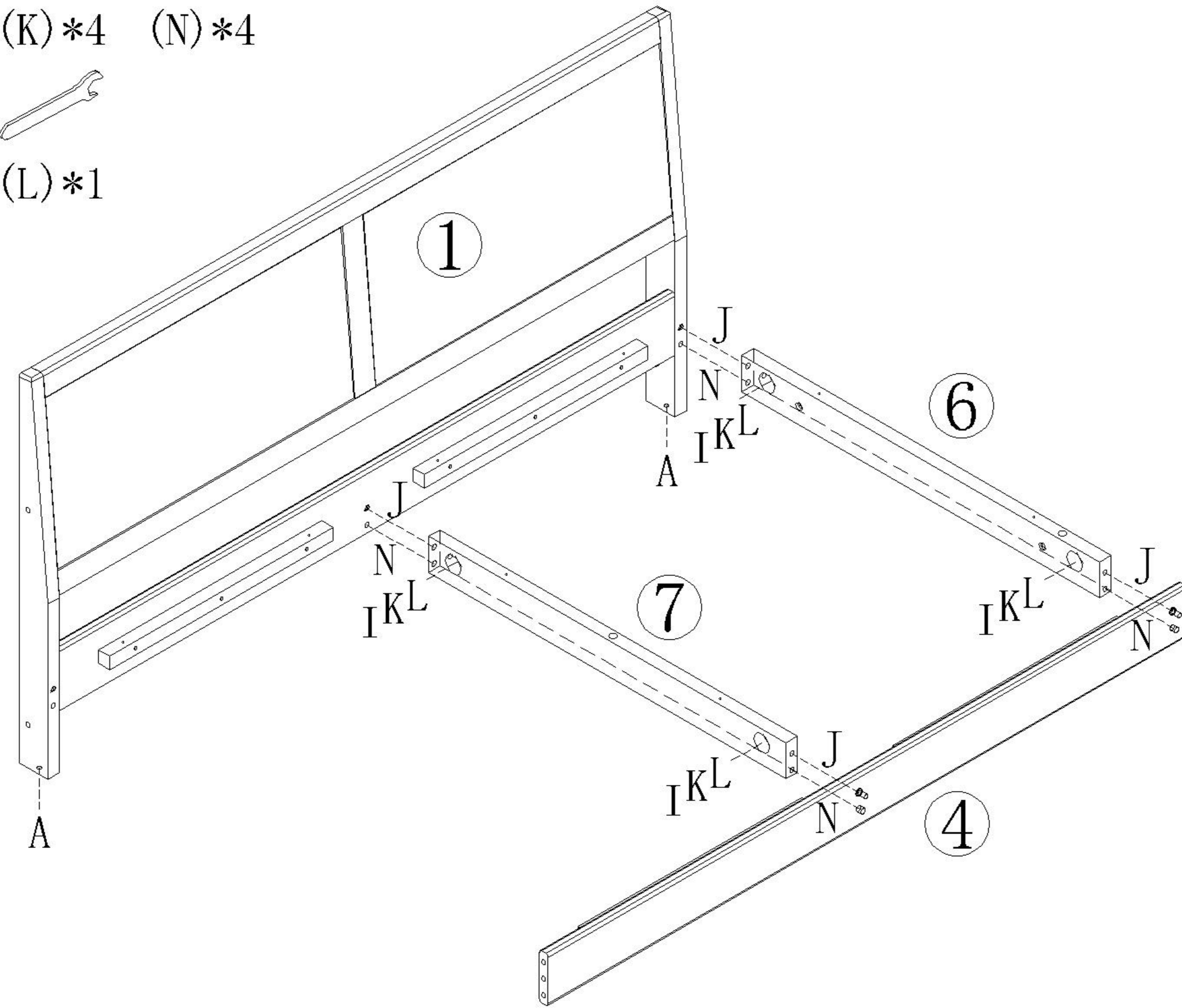
LH565K1-B小四人位沙发

安装方法/
Installation method

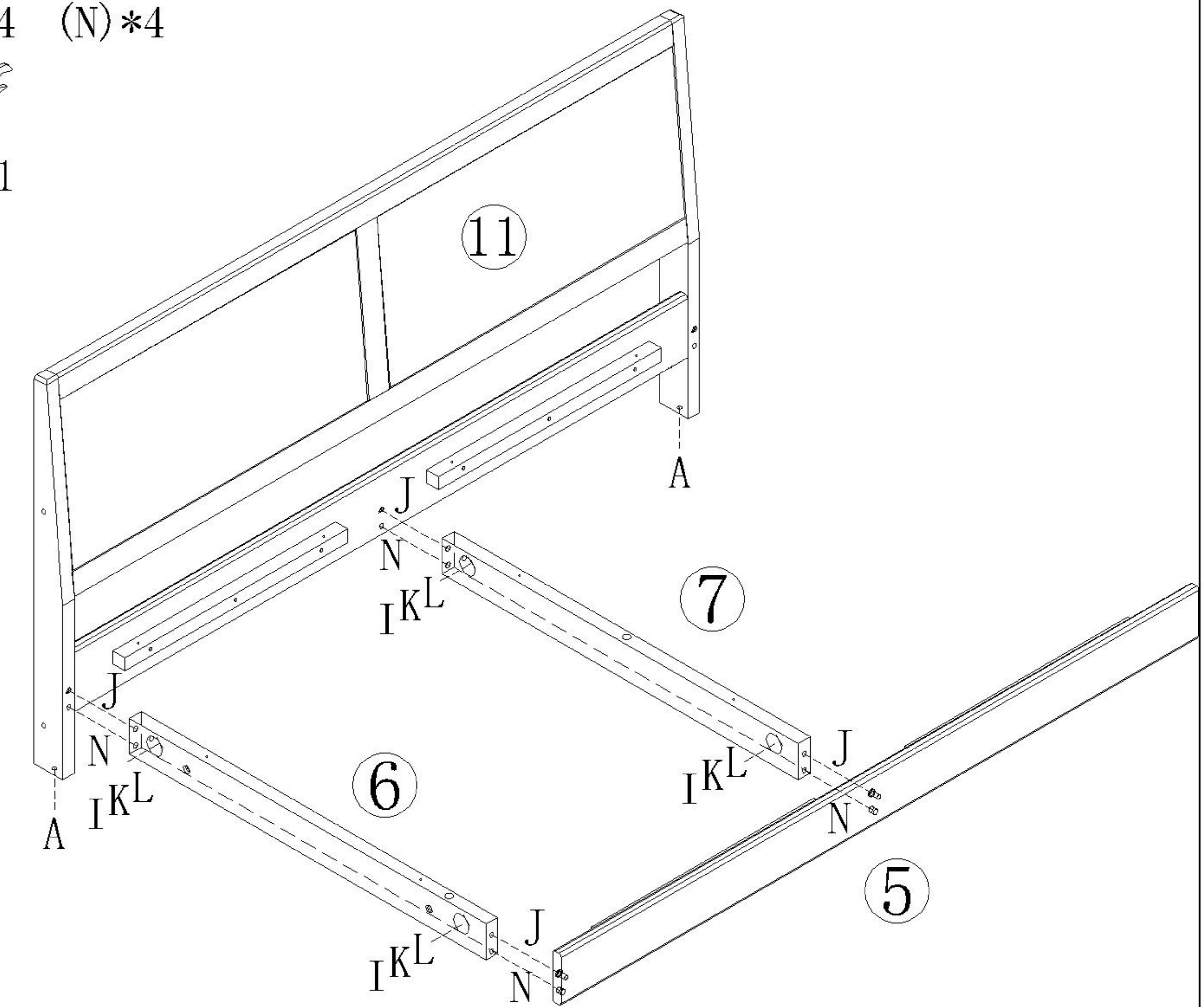


锤母
Hammer nut

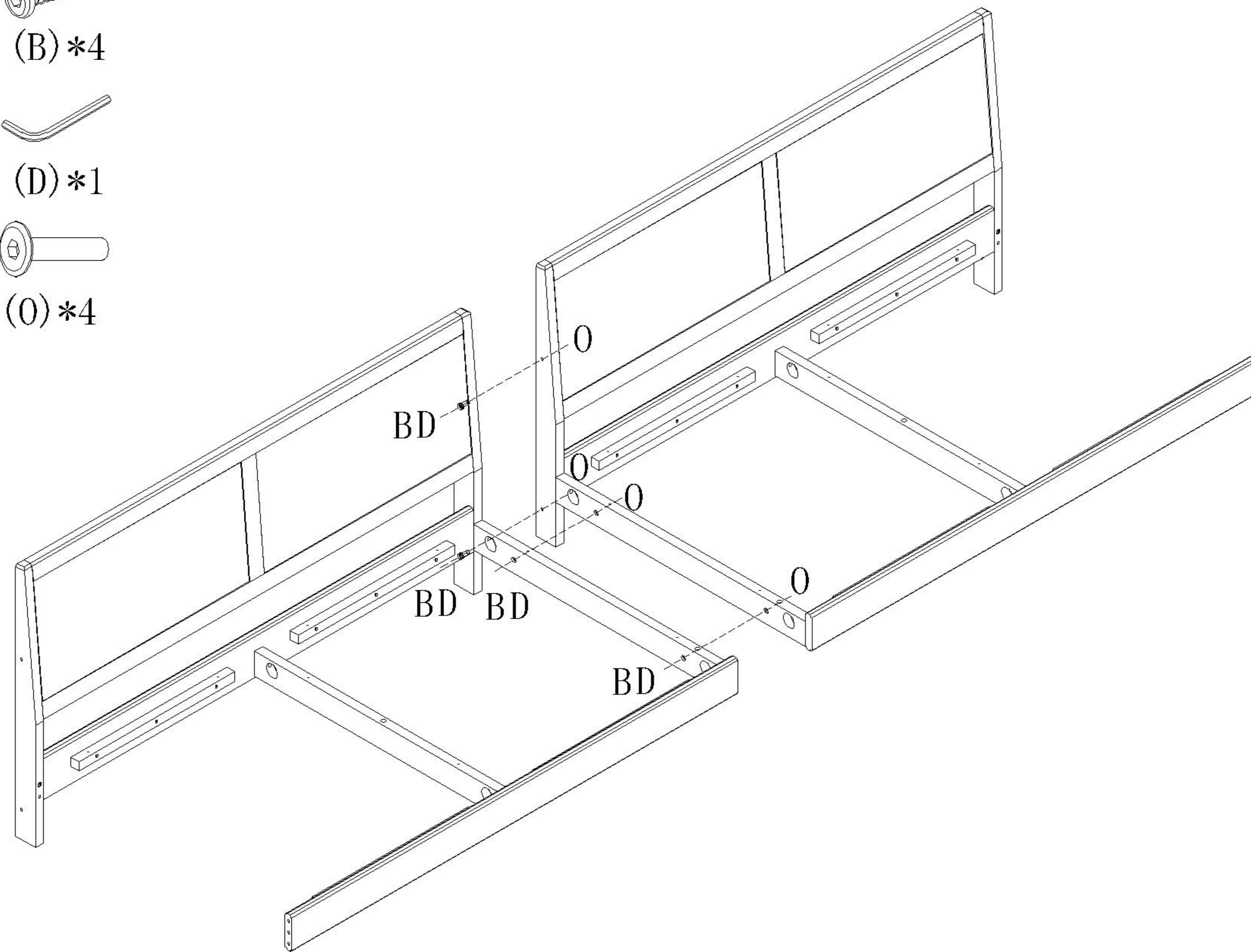
- (A)*2
- (K)*4
- (N)*4
- (I)*4
- (L)*1
- (J)*4



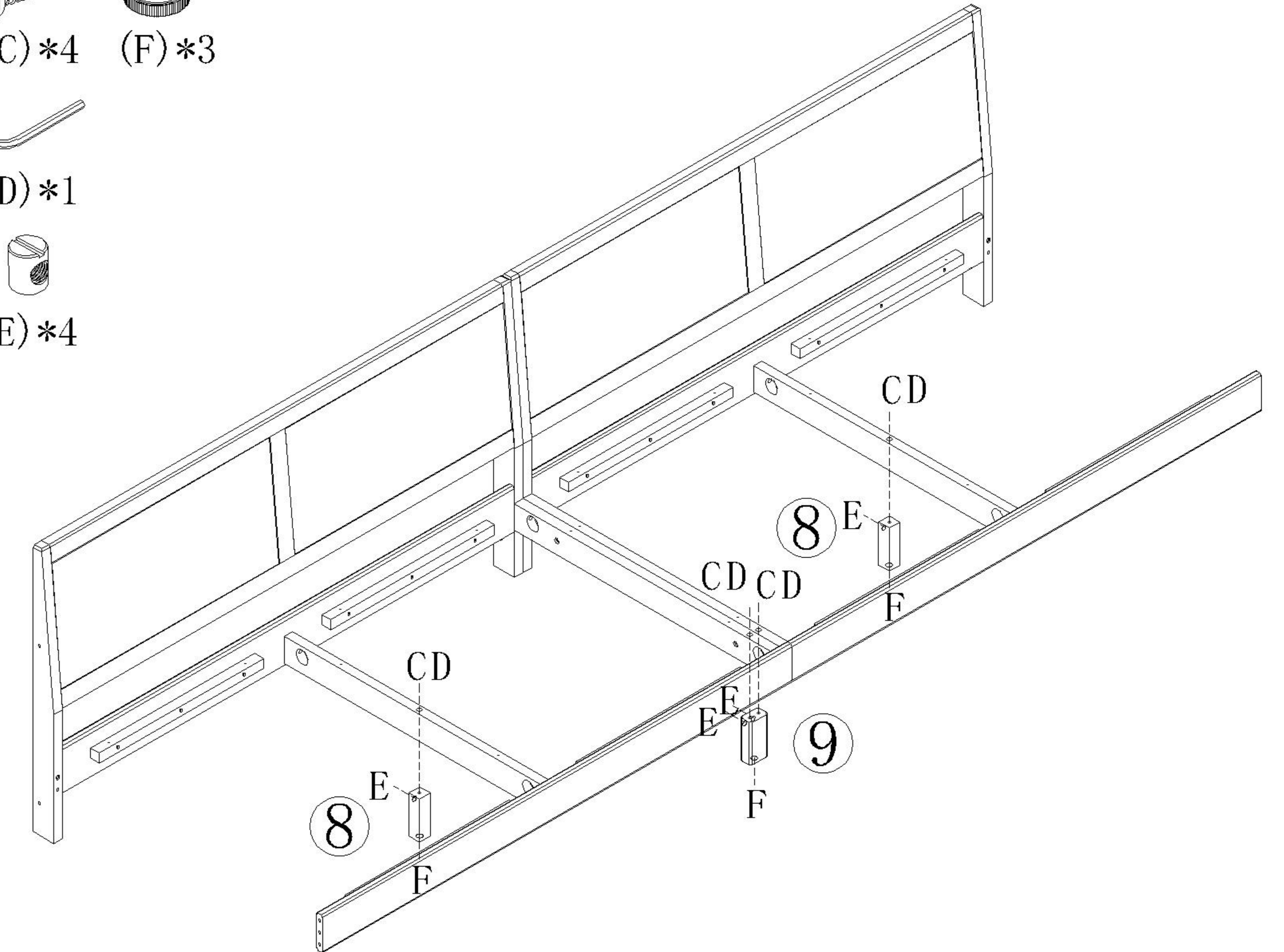
- (A)*2
- (K)*4
- (N)*4
- (I)*4
- (L)*1
- (J)*4



- (B)*4
- (D)*1
- (O)*4

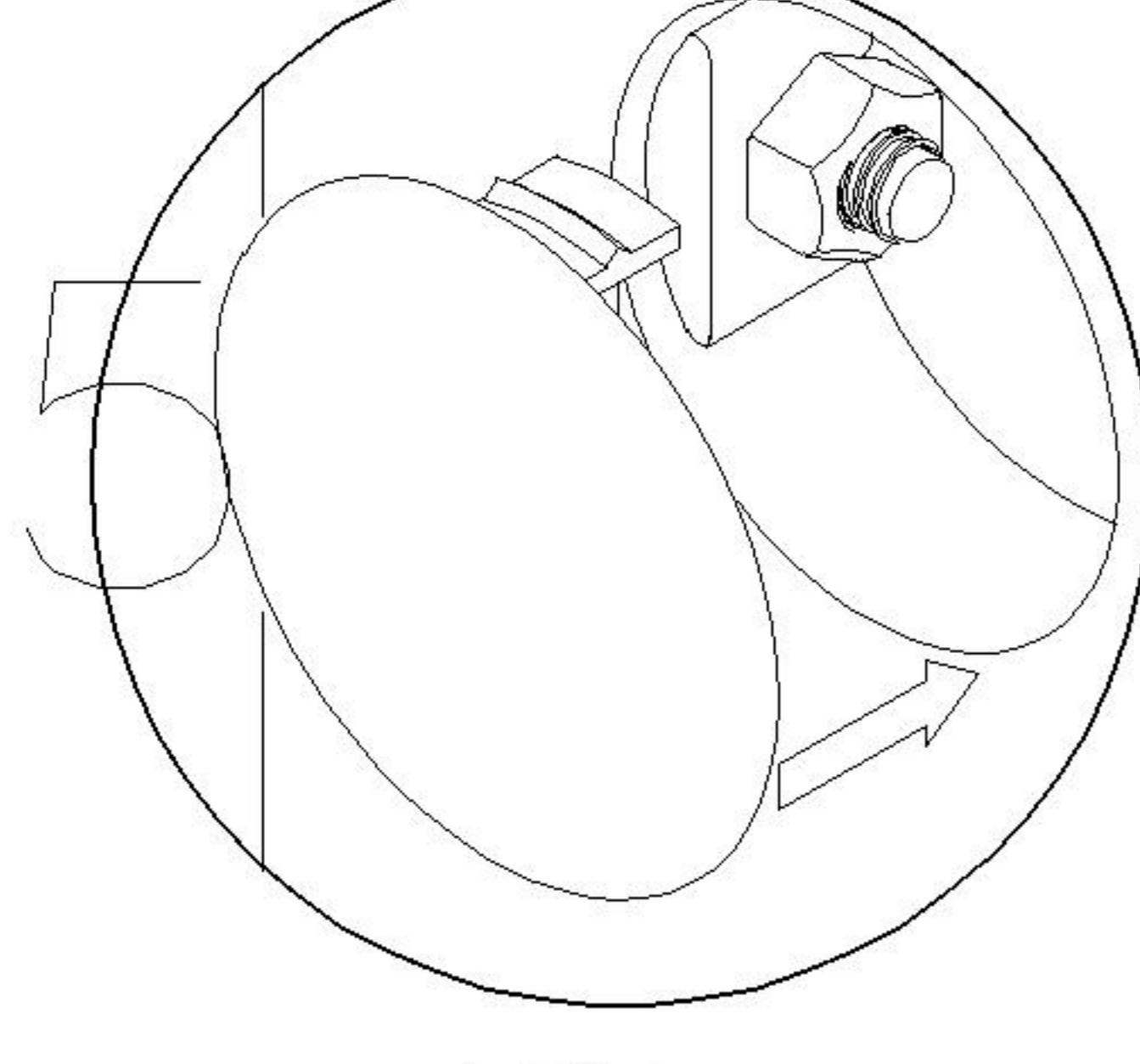
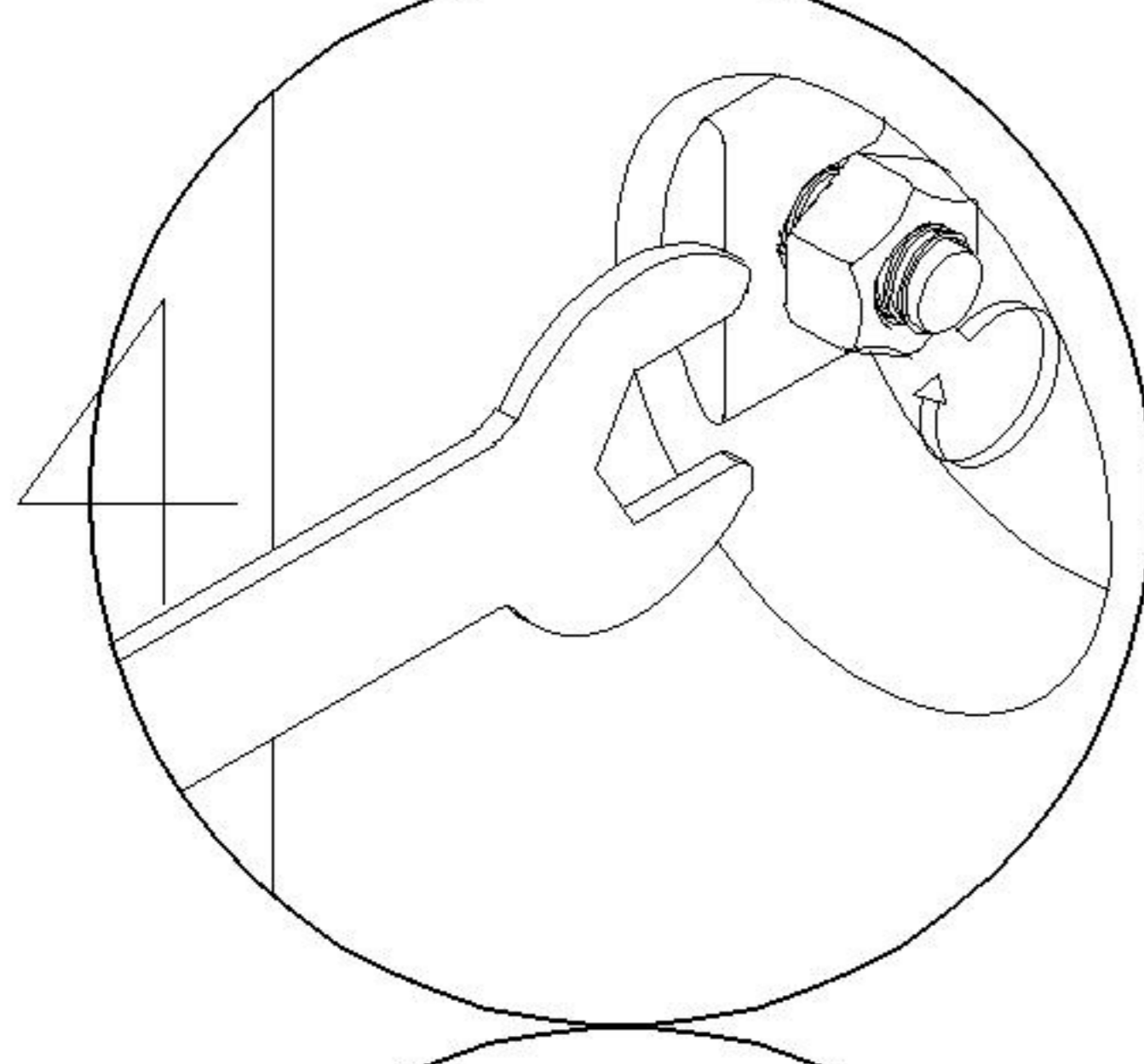
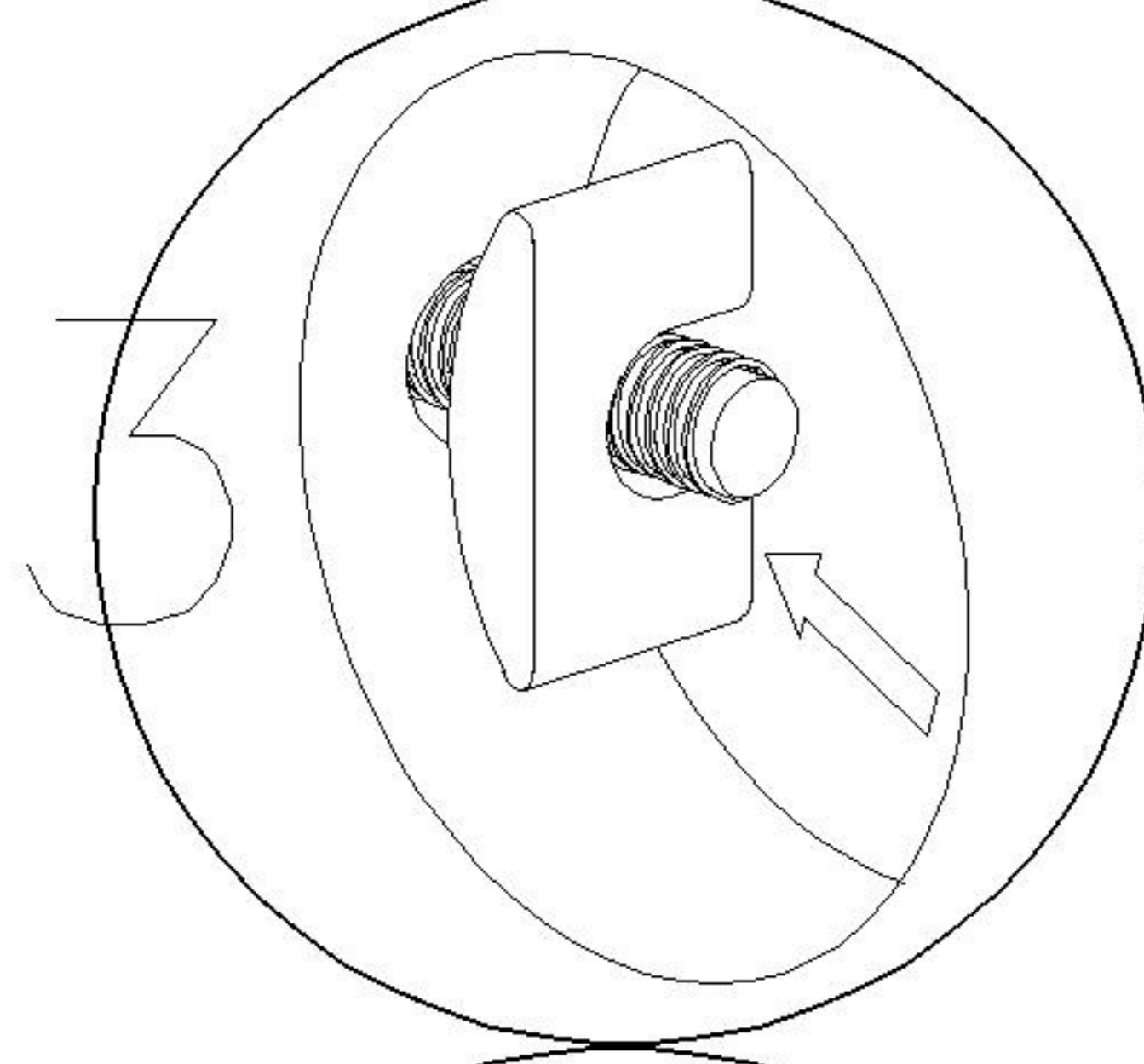
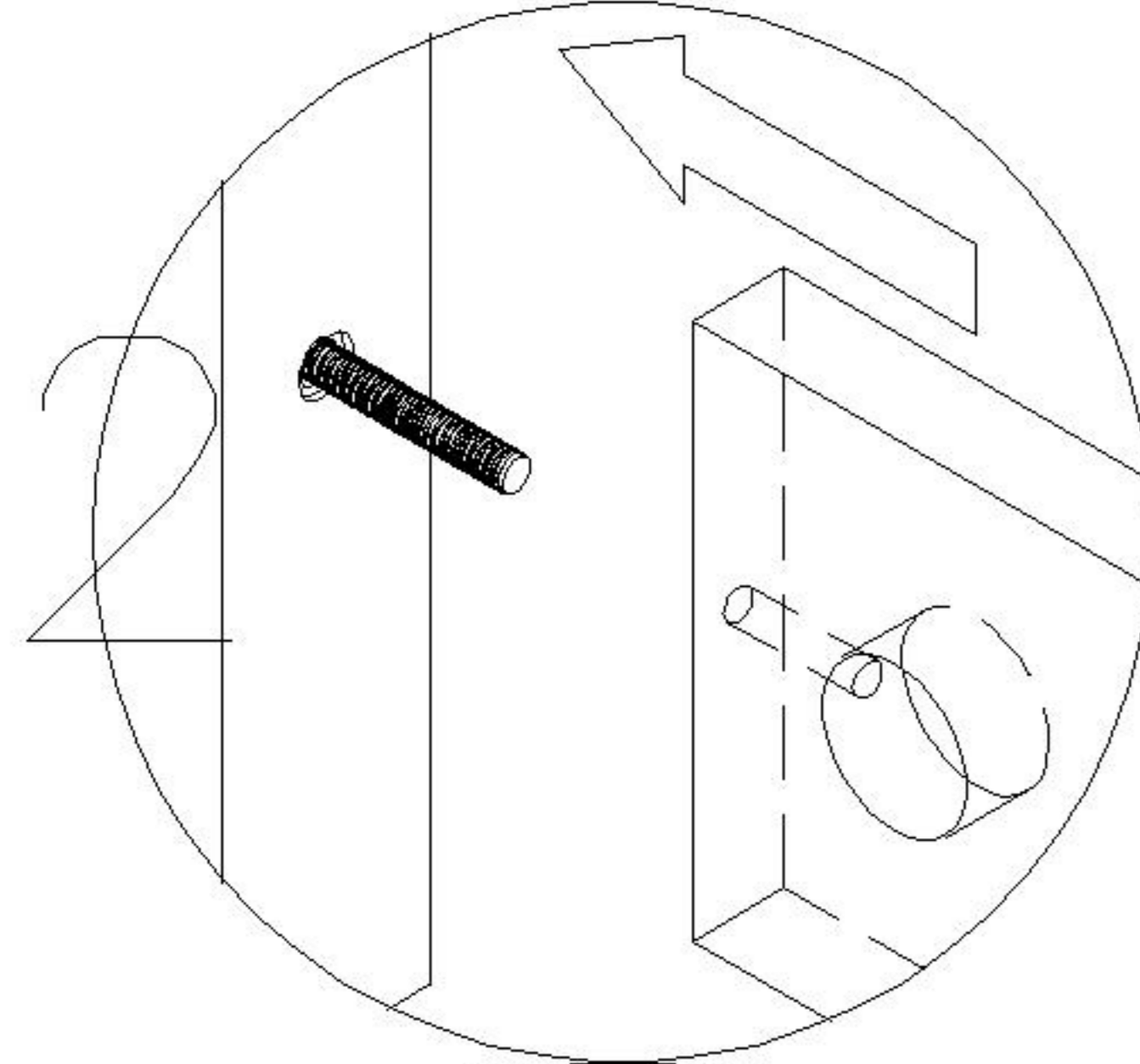
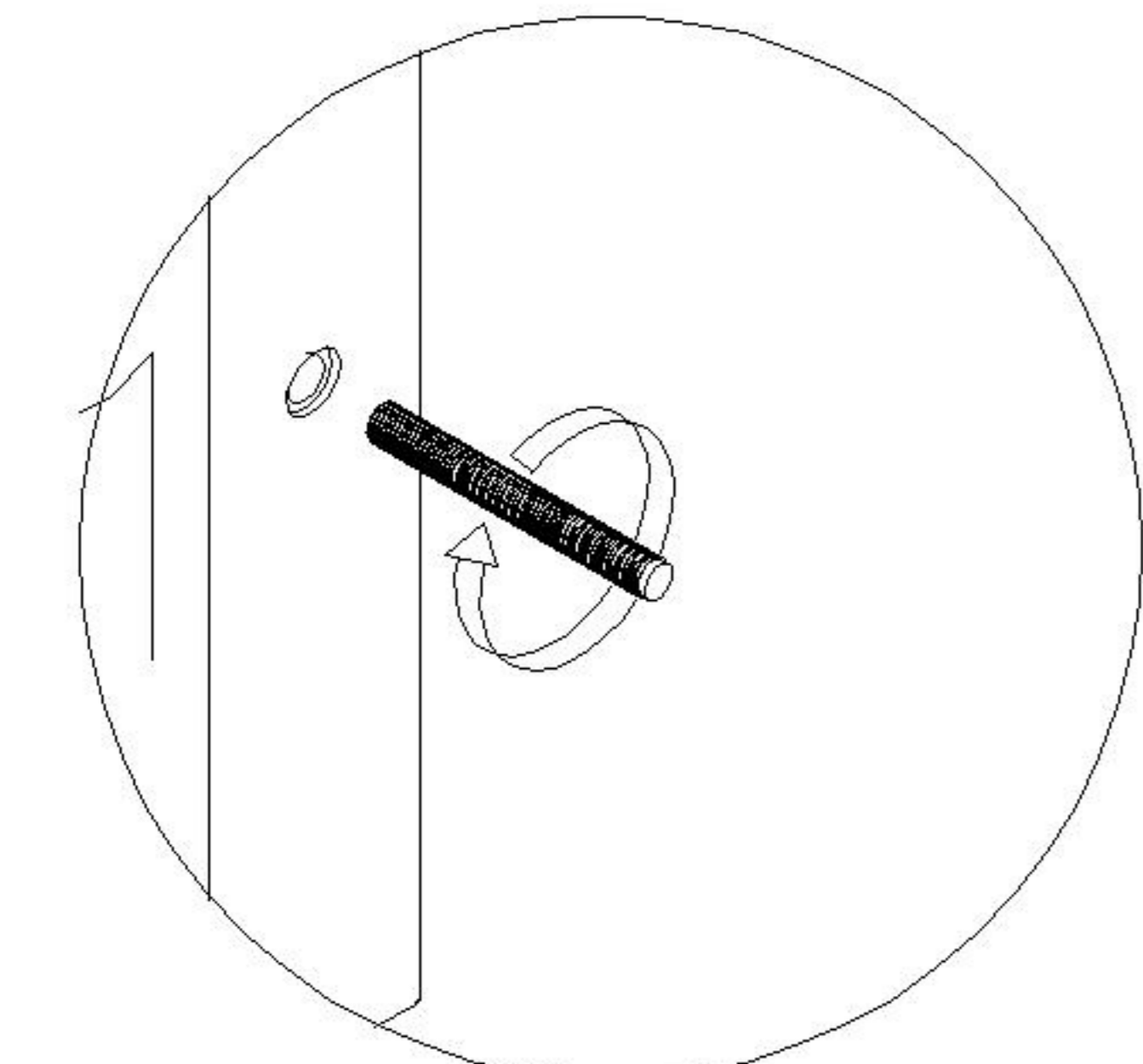


- (C)*4
- (F)*3
- (D)*1
- (E)*4



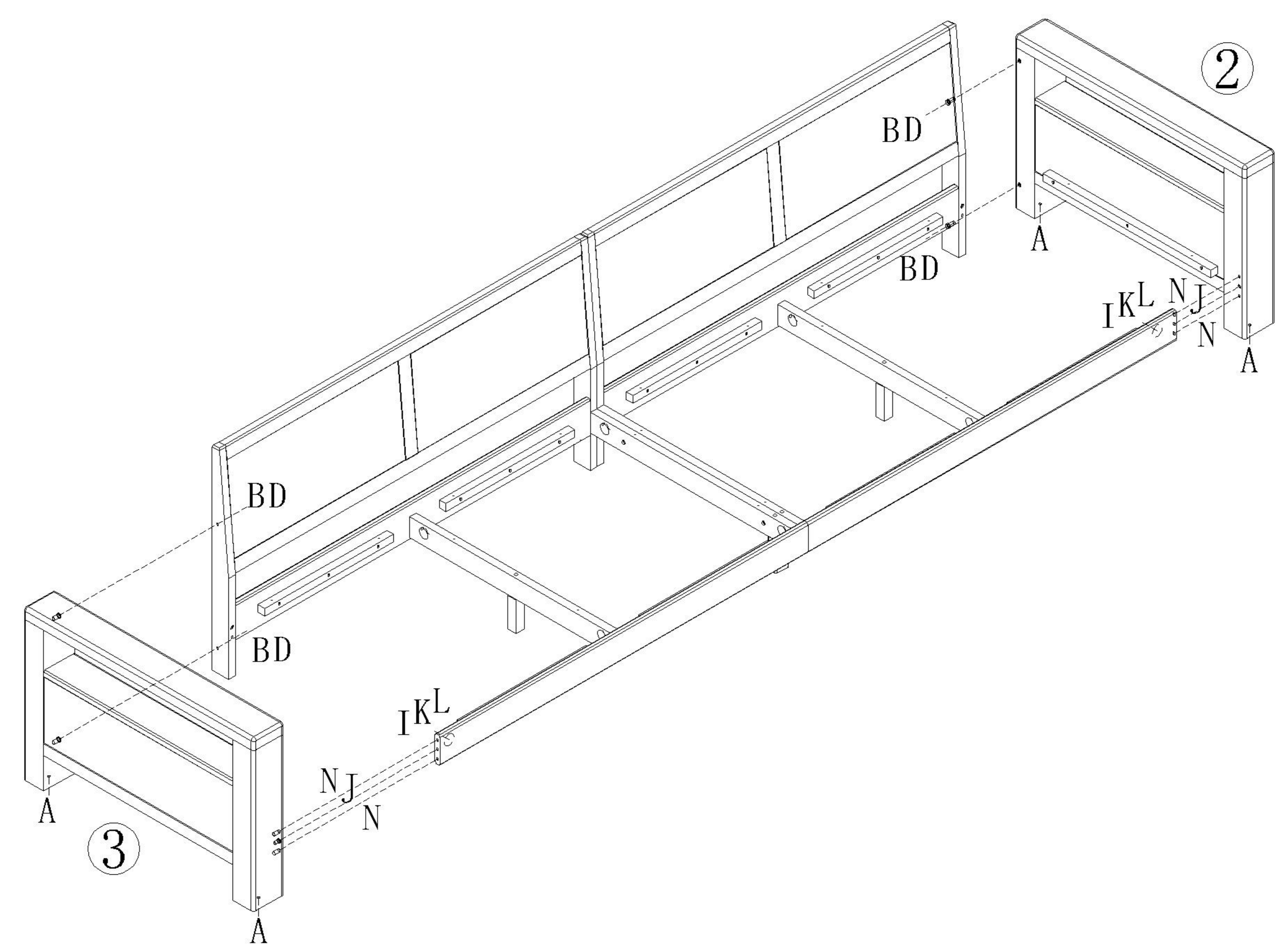
LH565K1-B小四人位沙发

安装方法/
Installation method

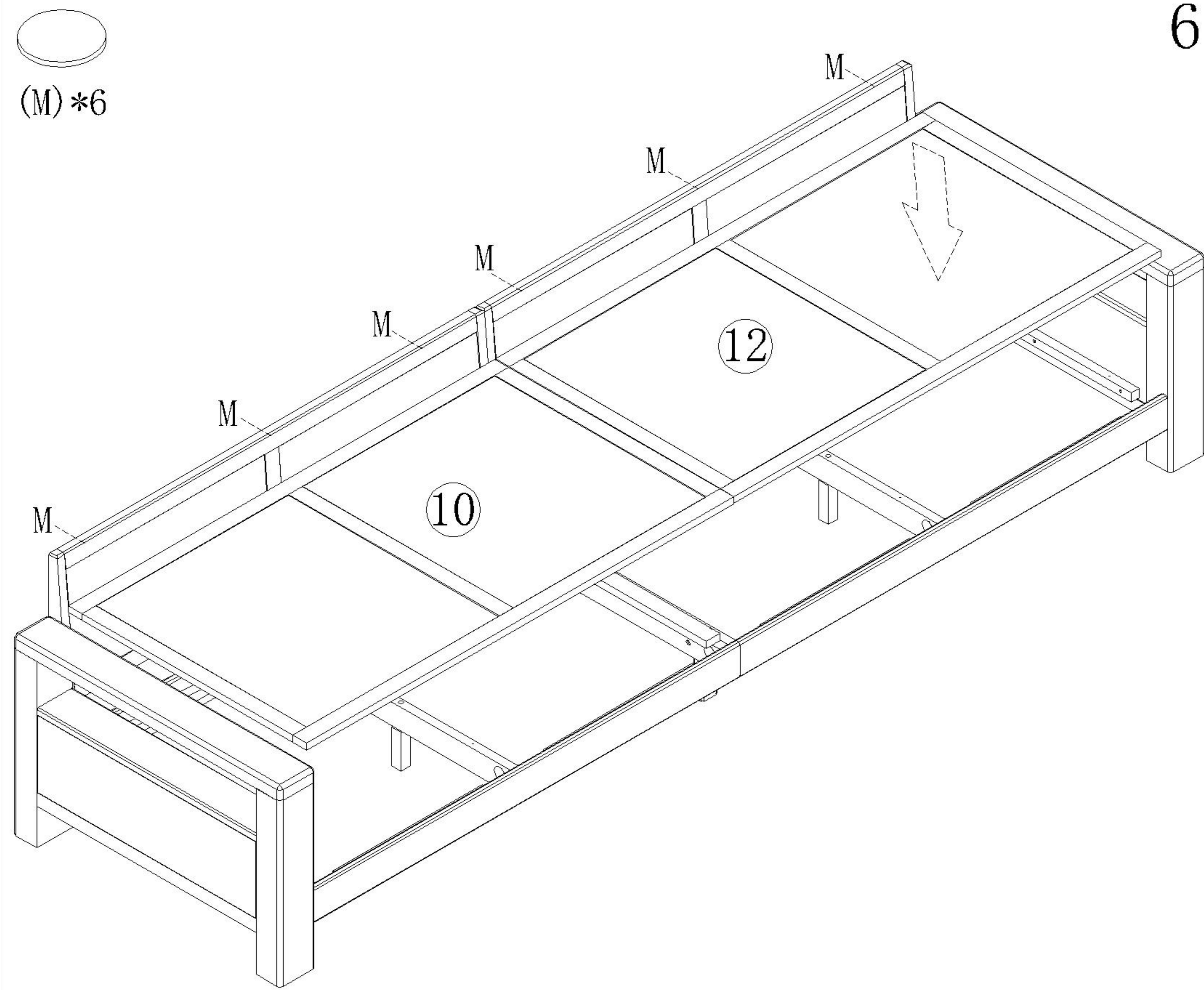


小五合一
Small 5-in-1

- (A)*4 (I)*2 (K)*2 (N)*4
- (B)*4 (J)*2 (L)*1
- (D)*1



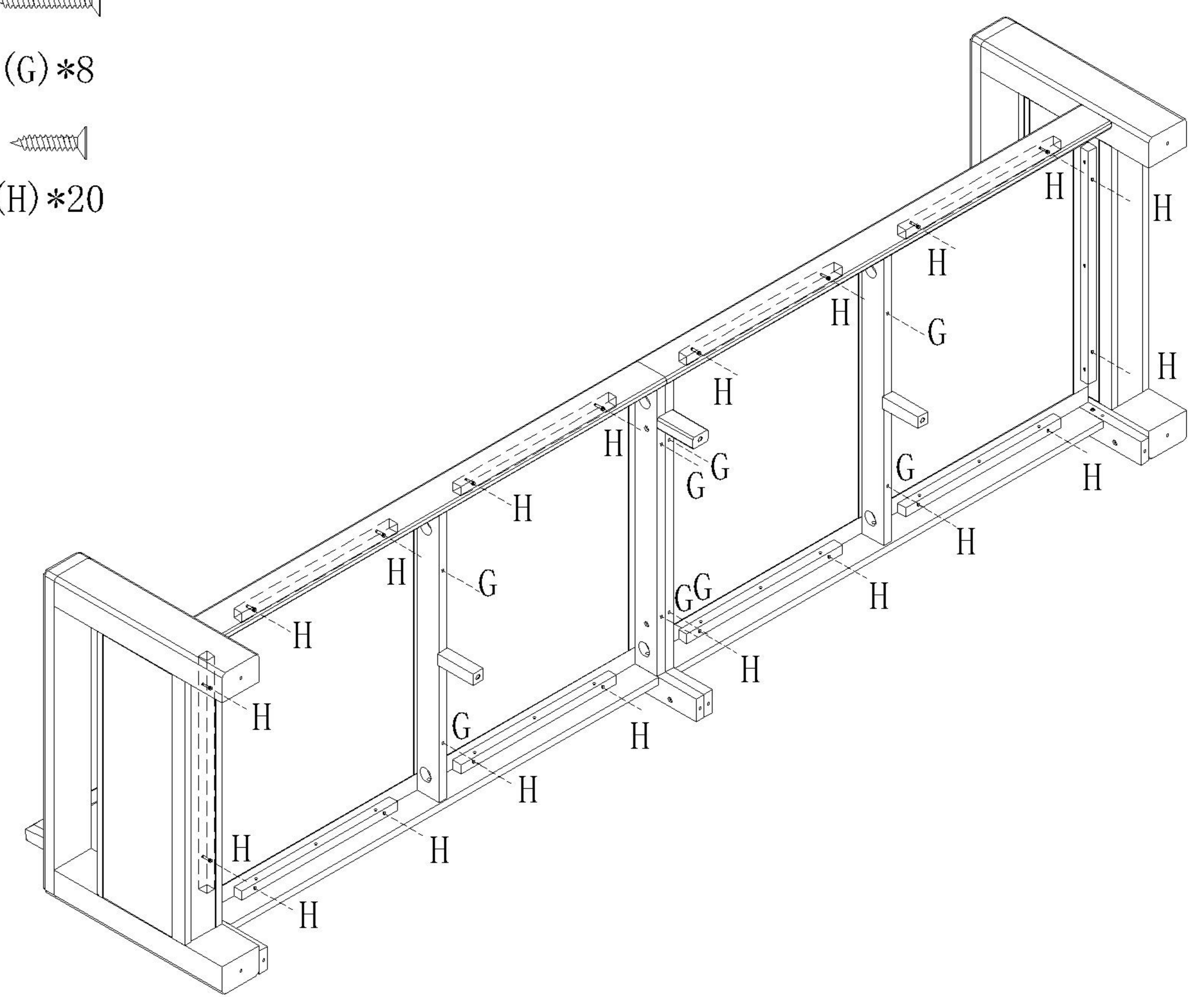
5



- (M)*6

6

- (G)*8
- (H)*20

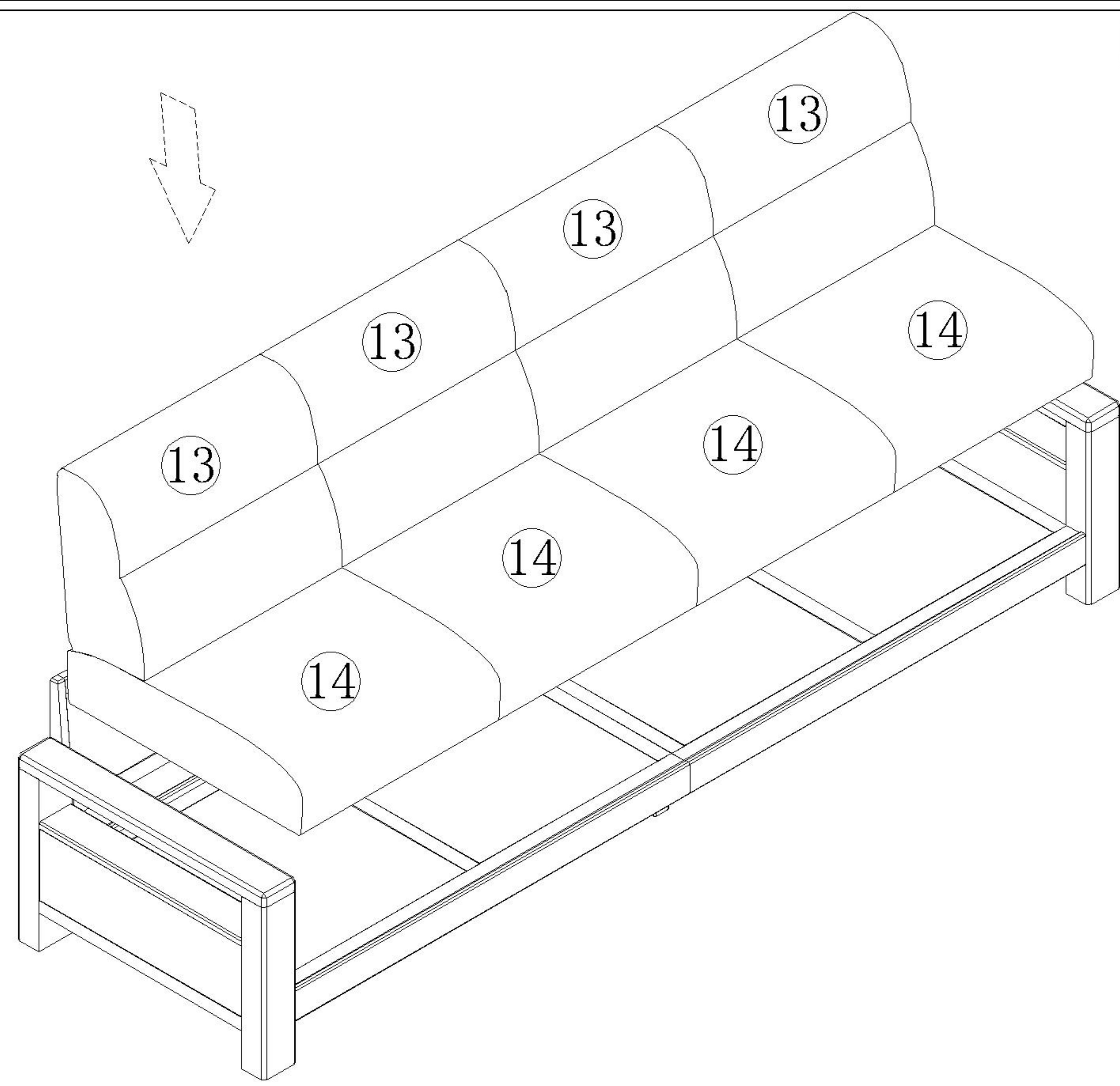


7

LH565K1-B小四人位沙发

8

安装方法/
Installation method



9

