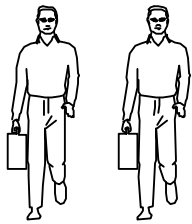





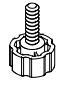



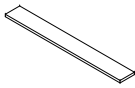
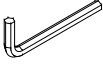
LINSY 林氏家居

五金表/Hardware list

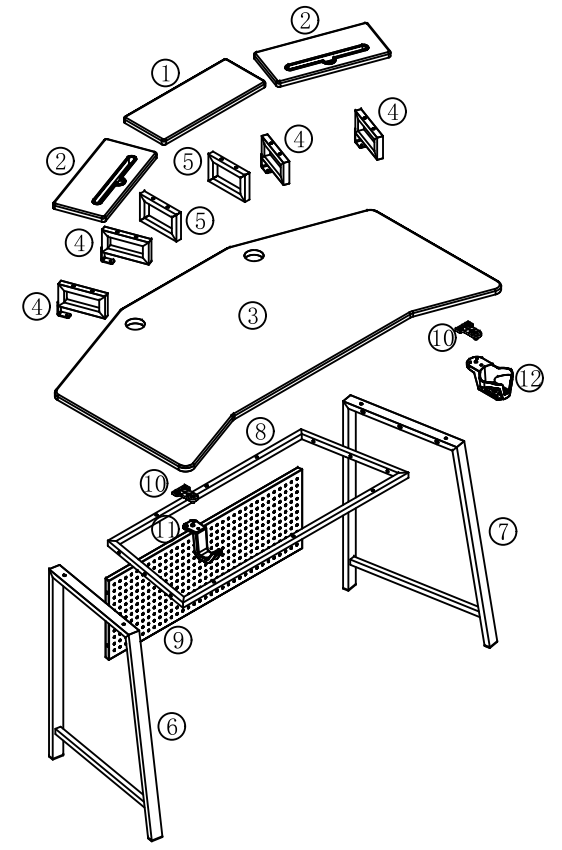
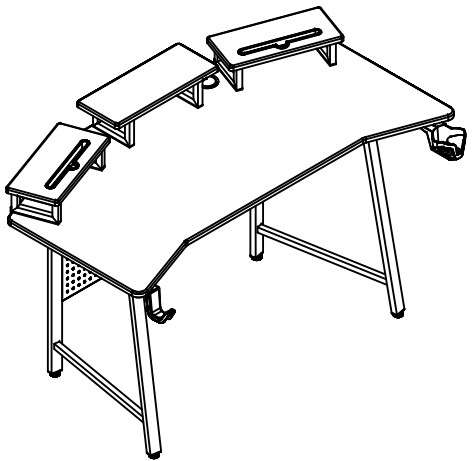
部件表/Parts List

安装示意图/Assembly Instruction

产品名称 Model NO.	BG061-A/B 1.4m电竞桌 Gaming desk
产品规格 Specification	1400*838*863mm
安装工具 Tool	安装人数 Installer
	

 (A)*28 扁圆头螺丝M6*30 Flat round head screw	 (B)*12 扁圆头螺丝M6*15 Flat round head screw	 (C)*2 垫片 Shim	 (D)*4 手轮 Handwheel
 (E)*4 圆挡块 Circular stopper	 (F)*2 穿线盒 Threading Box	 (G)*4 调节脚垫M8 Adjusting the footrest	 (H)*6 毛毡 Felt
 (I)*1 内六角扳手M4 Hexagon bar wrench			

编号NO.	名称Name	规格 Specification	数量QTY	材质Material
①	上台面 Upper countertop	450*180*18	1	中密度板 Medium density board
②	侧台面 Side countertop	390*180*18	2	
③	台面板 Deck plate	1400*750*18	1	
④	固定铁管 Fixed iron pipe	160*84*20	4	碳素钢 carbon steel
⑤	支撑管 Supporting iron Tube	160*102*20	2	
⑥	左侧架 Left side frame	711*554*40	1	
⑦	右侧架 Right side frame	711*554*40	1	
⑧	铁框架 Iron frame	987*400*20	1	
⑨	铁背板 Iron back plate	847*300*18	1	
⑩	固定架 Fixing frame	82*59*22	2	塑料 Plastics
⑪	挂钩 Hook	140*58*94	1	
⑫	杯托 Cup holder	161*104*70	1	



BG061-A/B 1.4米/M

安装方法/Installation method

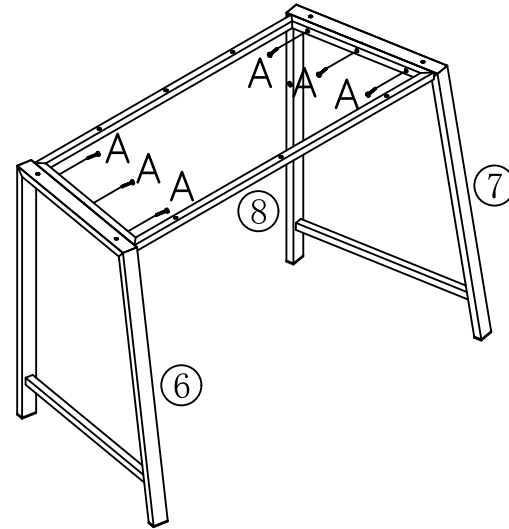
温馨提示:

请正确使用螺丝, 否则将会造成产品严重损坏

Warm tips:

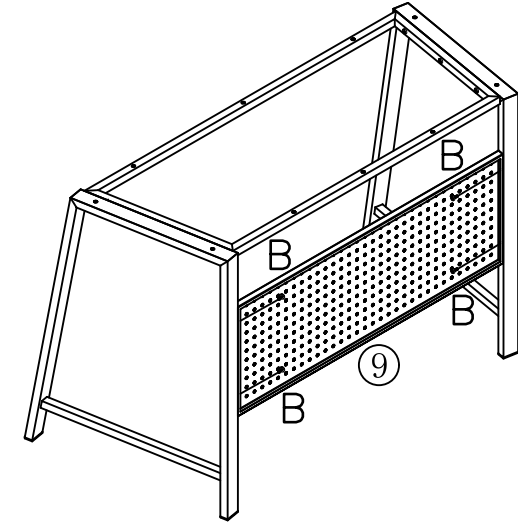
Please use the correct screws, otherwise the product will be seriously damaged.


(A)*6



1


(B)*4



2

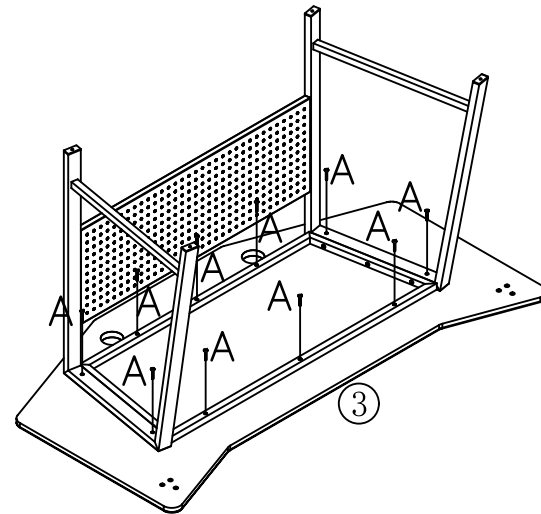
注意:

完成组装后再锁紧螺丝

Attention:

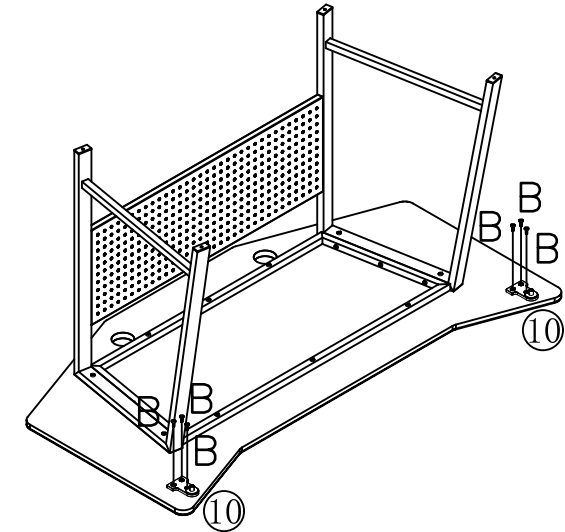
Please lock the screws after assembly.


(A)*10



3


(B)*6



4

BG061-A/B 1.4米/M



安装方法/Installation method

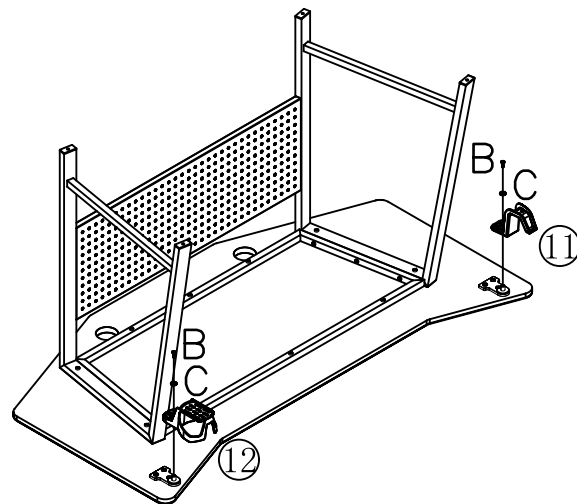
温馨提示:

请正确使用螺丝, 否则将会造成
产品严重损坏

Warm tips:

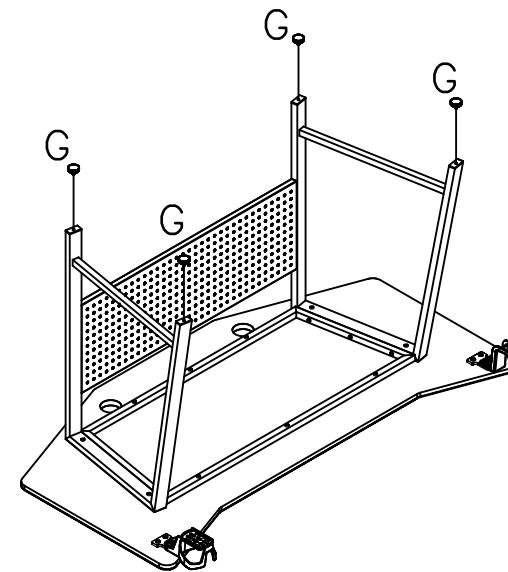
Please use the correct screws,
otherwise the product will be
seriously damaged.


(B)*2

(C)*2



5


(G)*4



6

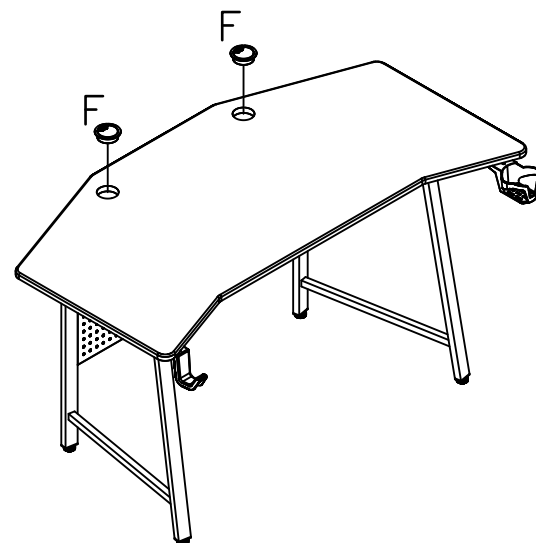
注意:

完成组装后再锁紧螺丝

Attention:

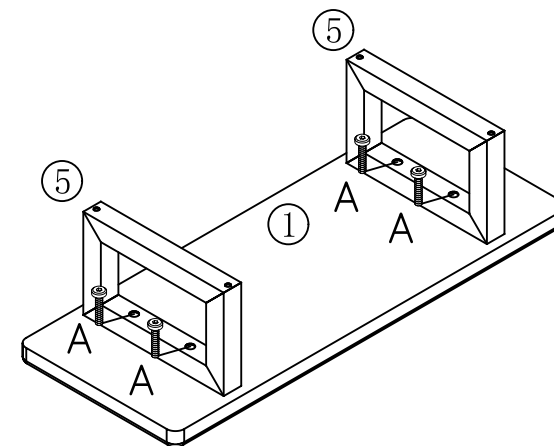
Please lock the screws after
assembly.


(F)*2



7


(A)*4



8

BG061-A/B 1.4米/M

安装方法/Installation method

温馨提示:

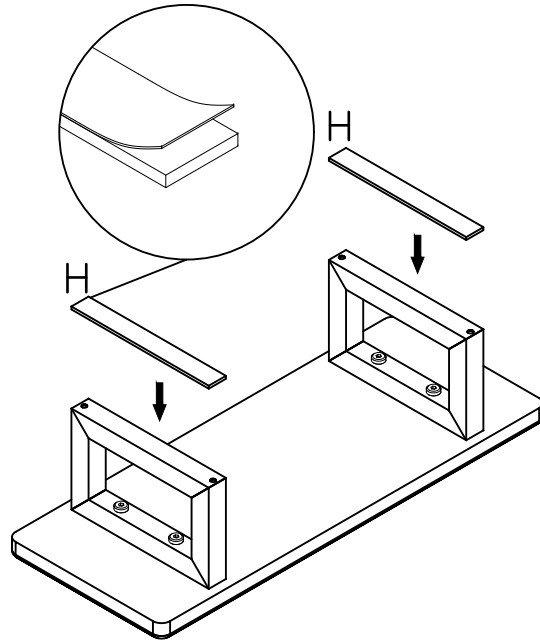
请正确使用螺丝, 否则将会造成产品严重损坏

Warm tips:

Please use the correct screws, otherwise the product will be seriously damaged.



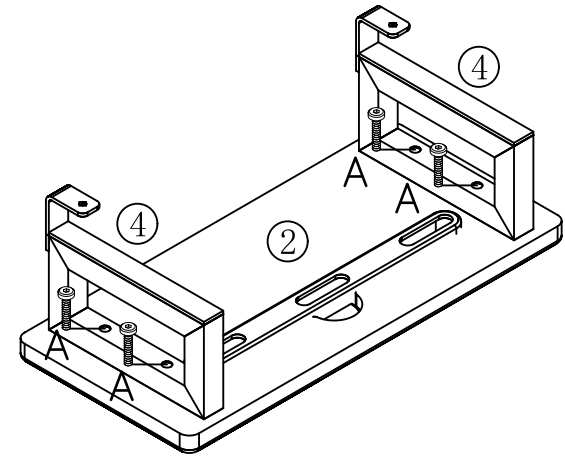
(H)*2



9



(A)*8



10

注意:

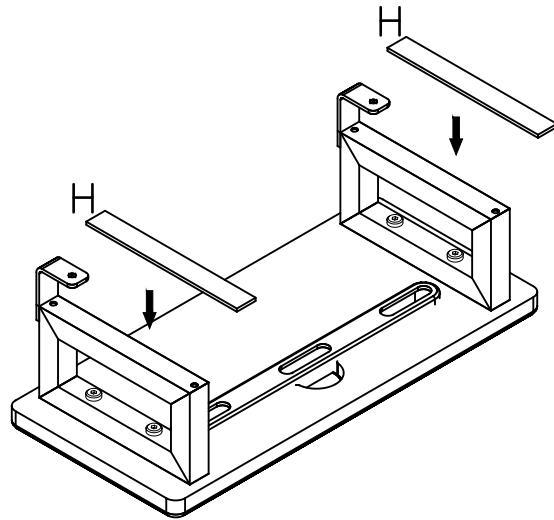
完成组装后再锁紧螺丝

Attention:

Please lock the screws after assembly.



(H)*4



11



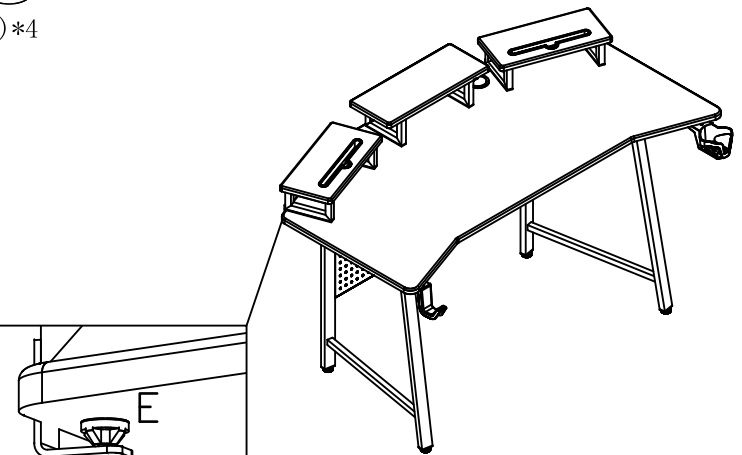
(D)*4



(E)*4

*2

12



*2

*4

BG061-A/B 1.4米/M

13

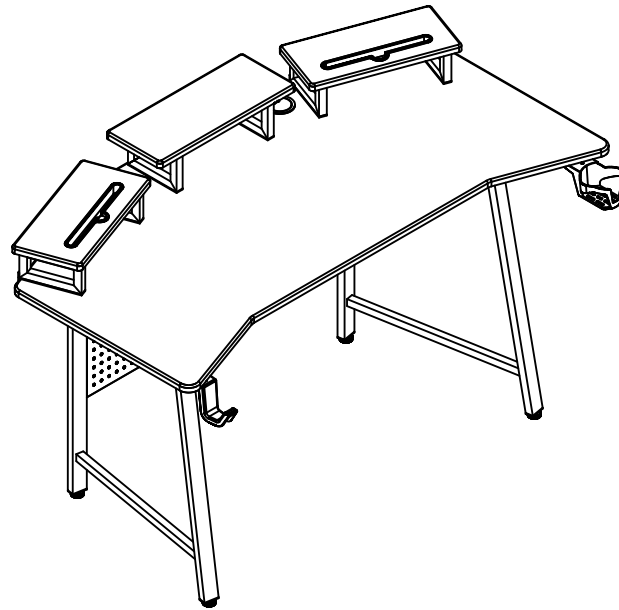
安装方法/Installation method

温馨提示:

请正确使用螺丝, 否则将会造成
产品严重损坏

Warm tips:

Please use the correct screws,
otherwise the product will be
seriously damaged.



注意:

完成组装后再锁紧螺丝

Attention:

Please lock the screws after
assembly.