

LINSY 林氏家居

五金表/Hardware list

部件表/Parts List

安装示意图/Assembly Instruction

产品名称 Model NO.

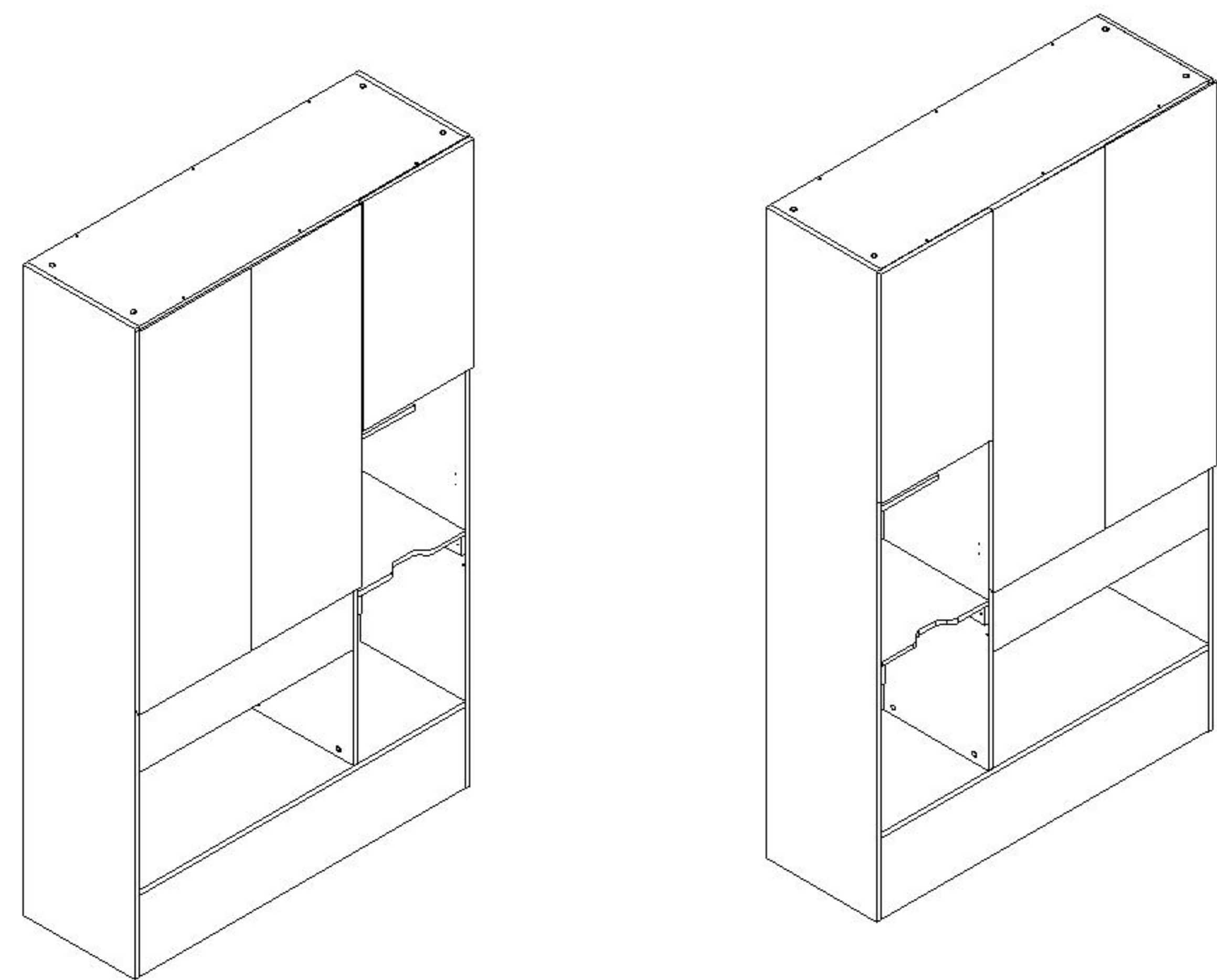
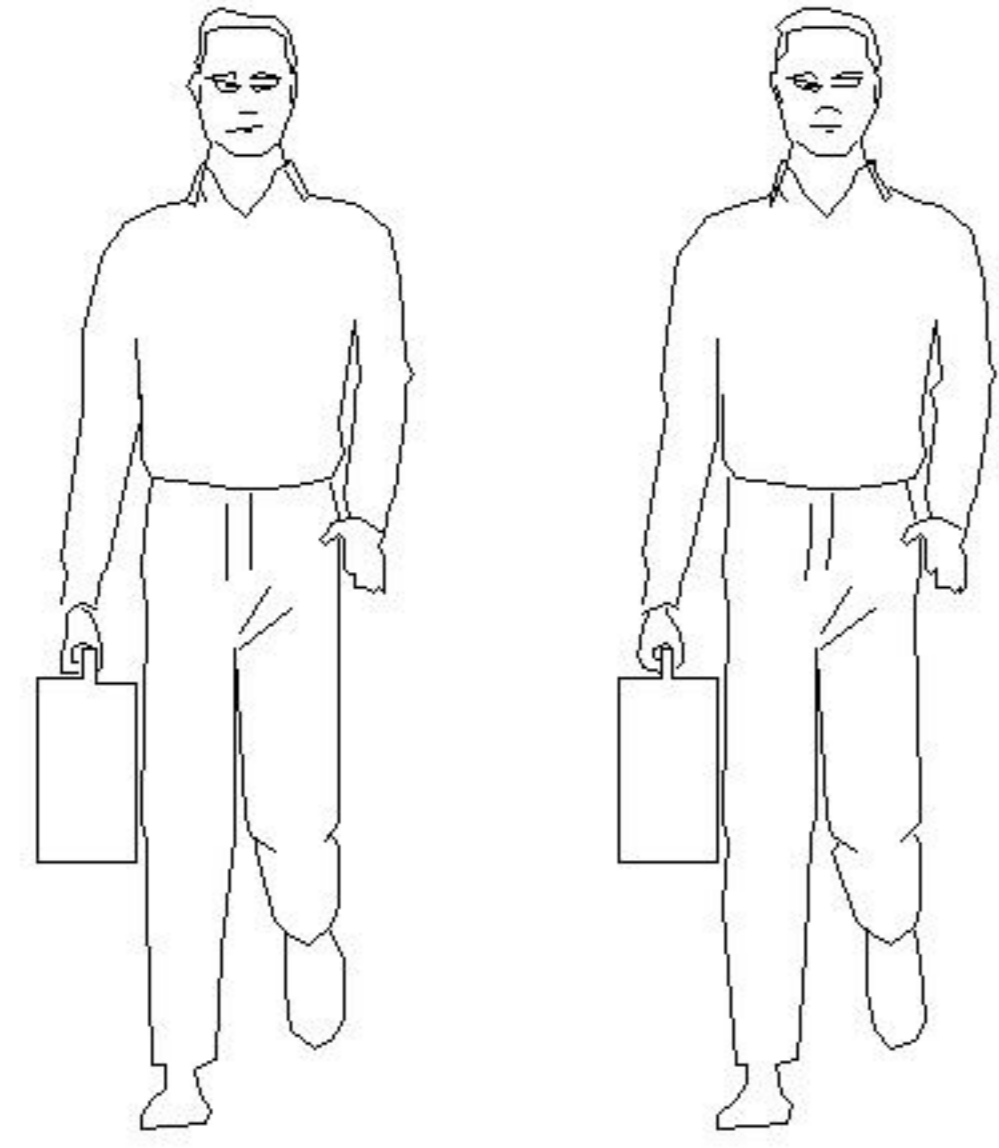
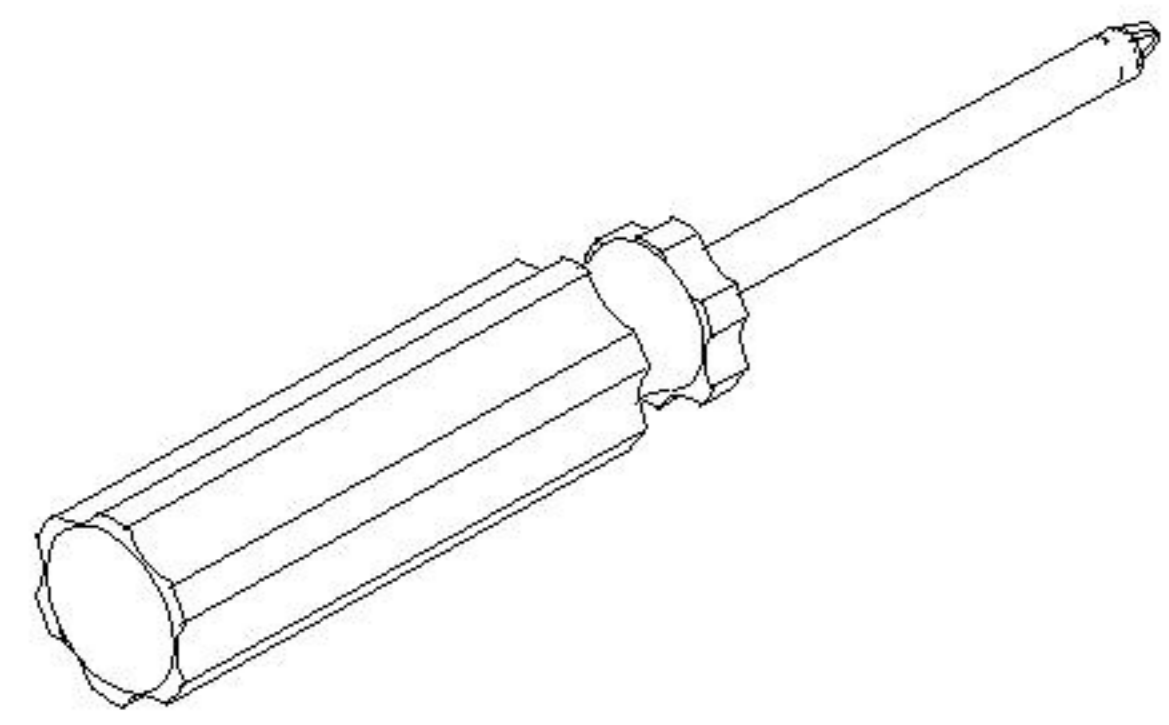
OV3G-C

产品规格 Specification

1198*413*2018mm

安装工具 Tool

安装人数 Installer



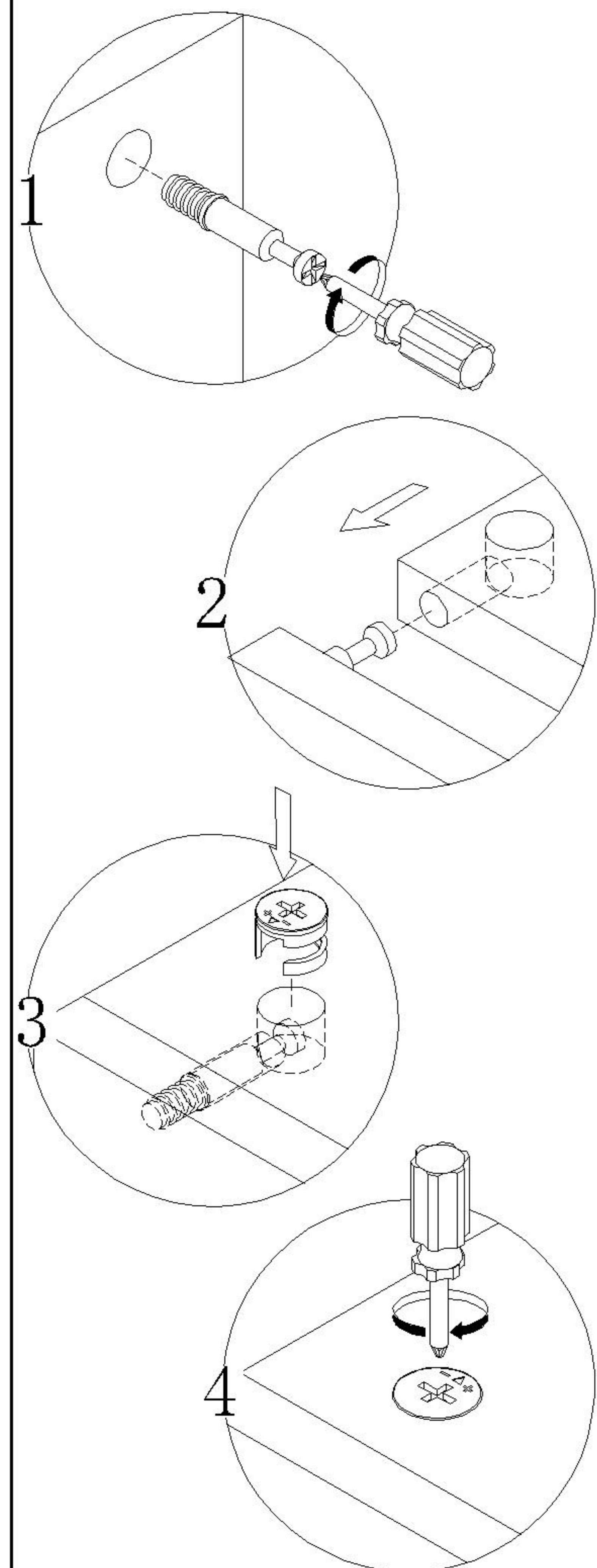
可左右安装
Interchangeable installation
left and right

(A)*8 自攻螺丝M3.5*12 Tapping screw	(B)*44 二合一螺杆 2-in-1-screw	(C)*44 大三合一锁饼 3-in-1 large lock	(D)*17 背板扣 White buckle
(E)*13 木榫-(∅8*30mm) Wood tenon	(F)*17 自攻螺丝M3.5*16 Tapping screw	(G)*8 脚垫-灰色毛毡 Foot pad	(H)*2 家具防倒器白色 Anti-fall device
(I)*2 小角码 Small bracket	(J)*8 缓冲门铰直弯-杯径∅35 Straight bend hinge	(K)*1 夹板条L-1730 White splint strip	(L)*4 层板托5mm shelf support
(M)*2 挂衣托 Clothes hanger	(N)*1 挂衣杆L=758mm Clothes rail	(O)*6 自攻大扁M4*25 Flat head tapping screw	

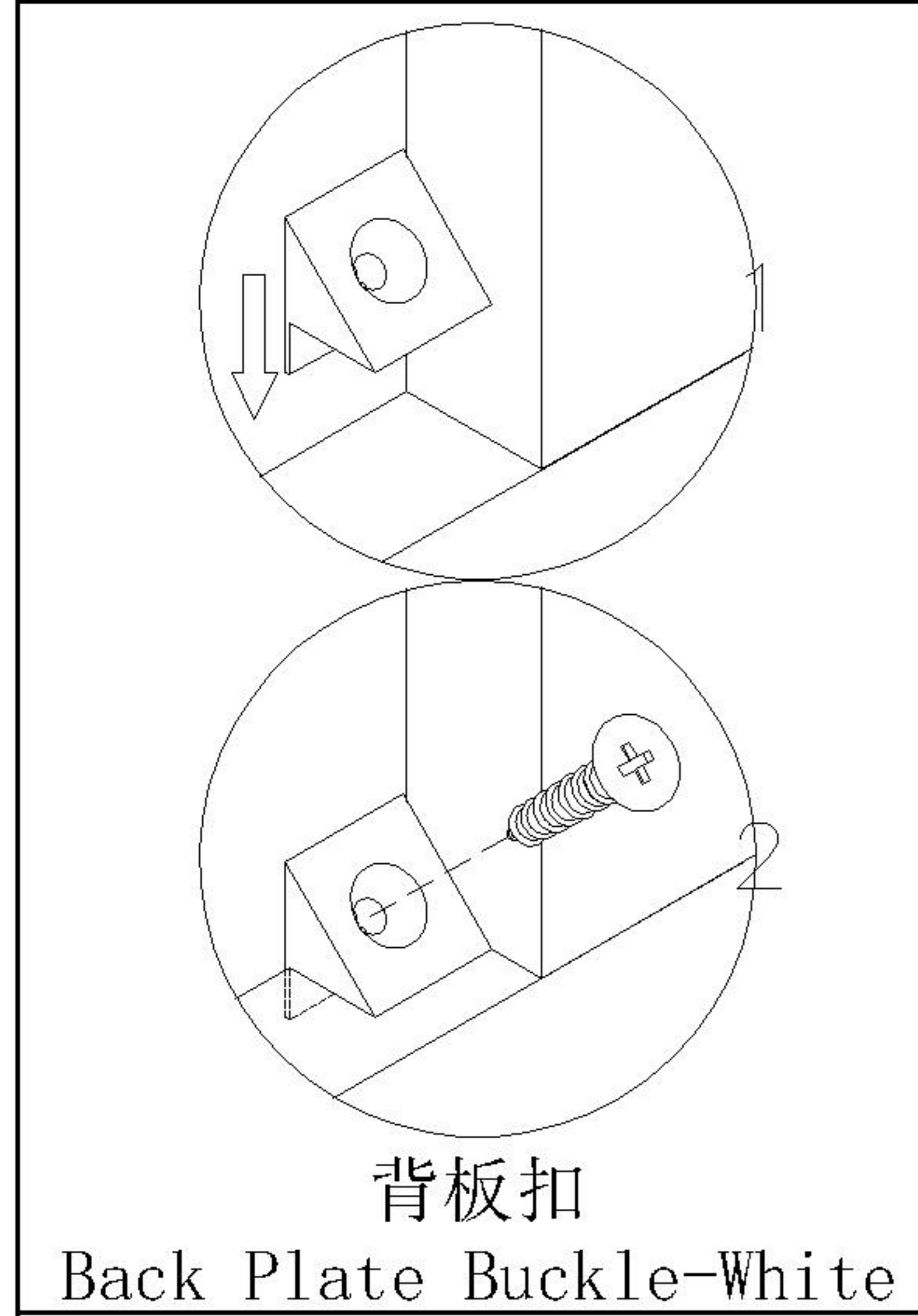
编号NO.	名称Name	规格 (MM) Specification	数量QTY	材质Material
1	顶板Top board	1168*398*15	1	人造板 WBP
2	底板Bottom board	1168*398*15	1	人造板 WBP
3	左侧板Side board(L)	2015*398*15	1	人造板 WBP
4	右侧板Side board(R)	2015*398*15	1	人造板 WBP
5	中侧板Middle side board	1731*398*15	1	人造板 WBP
6	前板Header board	768*212*15	1	人造板 WBP
7	底拉条Bottom brace	1168*254*15	2	人造板 WBP
8	长活动层板Long movable shelf	767*376*15	1	人造板 WBP
9	下活动层板Lower movable shelf	385*376*15	1	人造板 WBP
10	固定层板Fixed shelf	385*376*15	2	人造板 WBP
11	小层板Small shelf	385*194*15	1	人造板 WBP
12	侧垫条Side strut	376*58*15	2	人造板 WBP
13	小背板Small backboard	1741*387*5	2	人造板 WBP
14	大背板Big backboard	1741*393*5	1	人造板 WBP
15	长门板Long door panel	1188*398*15	2	人造板 WBP
16	短门板Short door panel	708*398*15	1	人造板 WBP

OV3G-C

安装方法/
Installation method

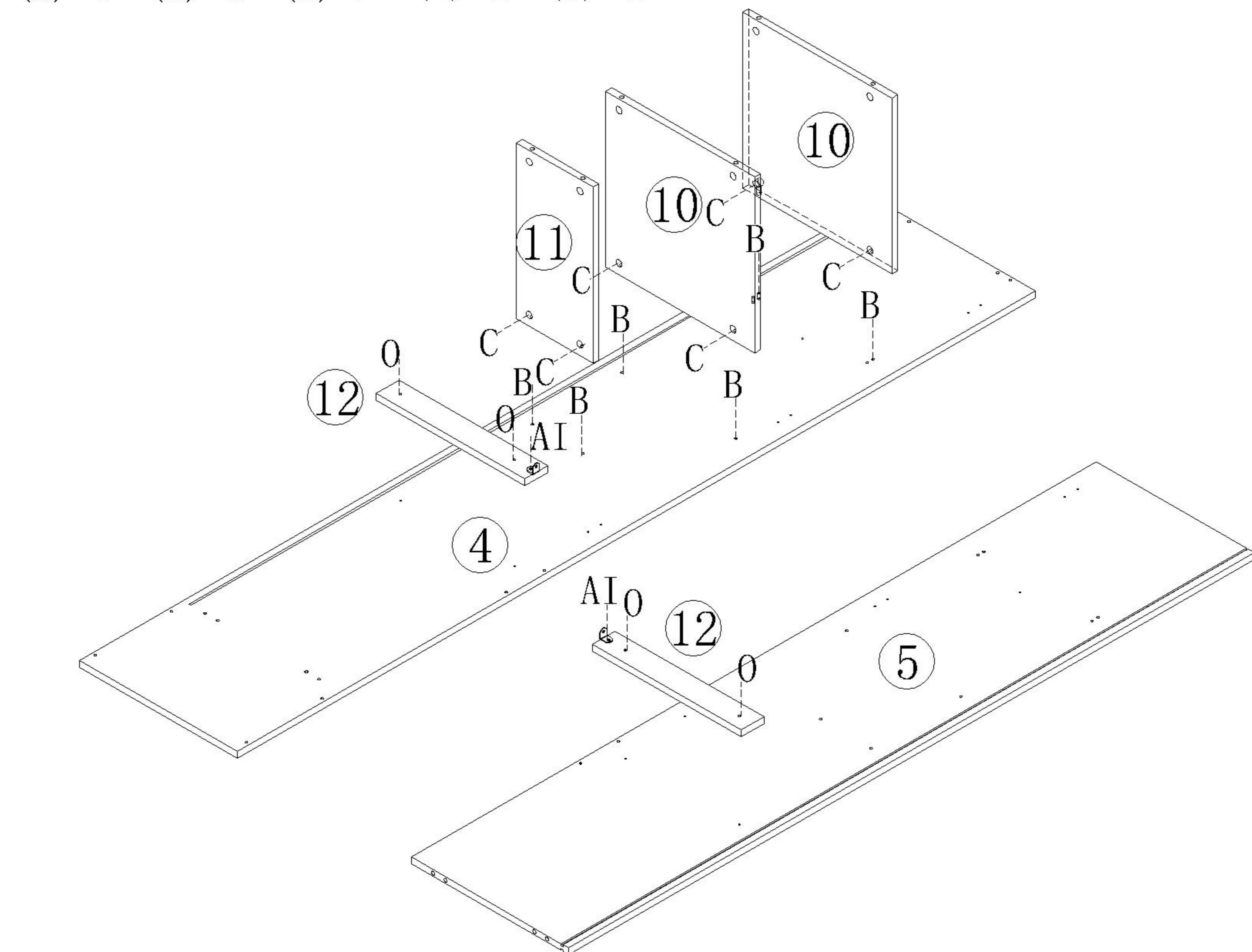


二合一
two-in-one

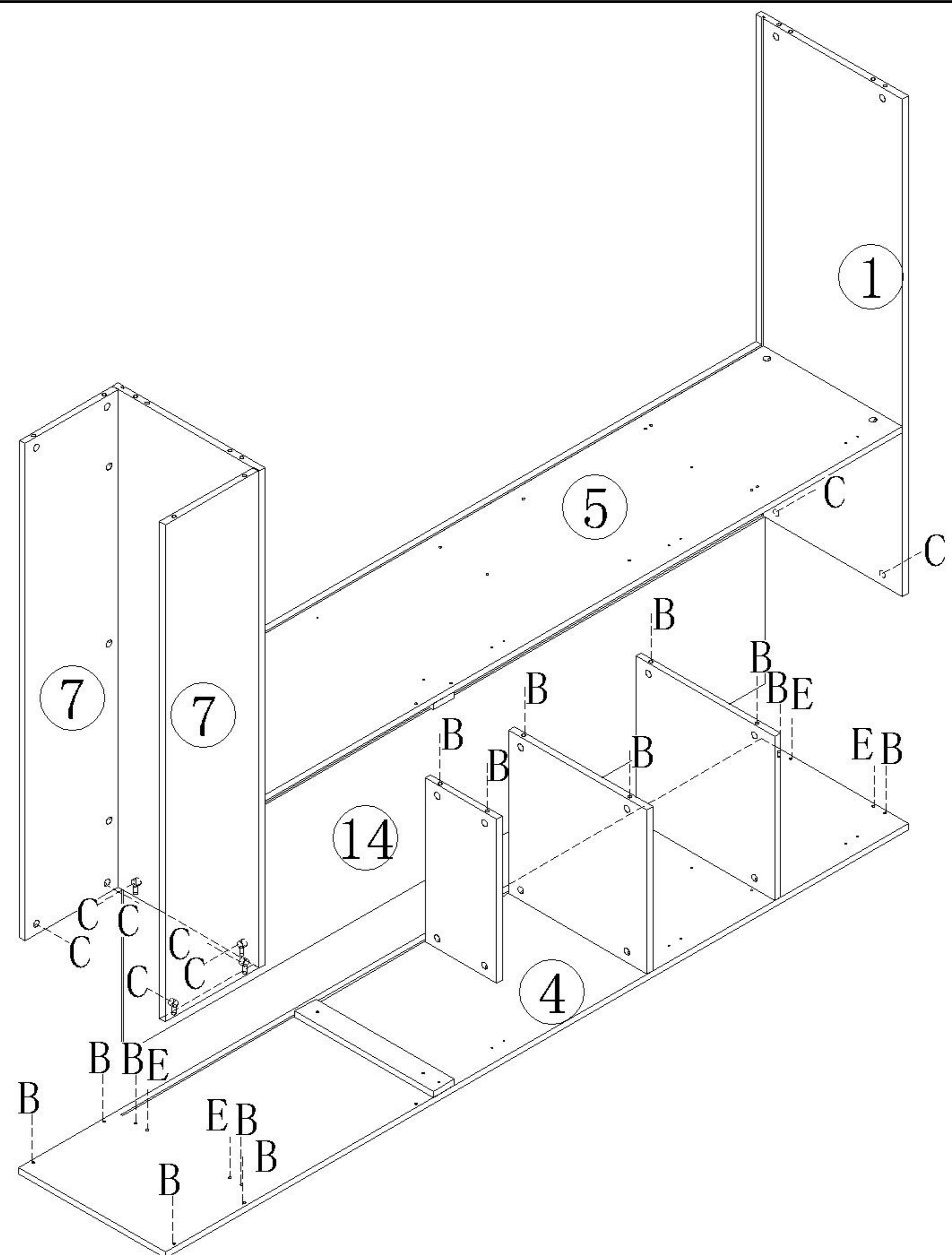


背板扣
Back Plate Buckle-White

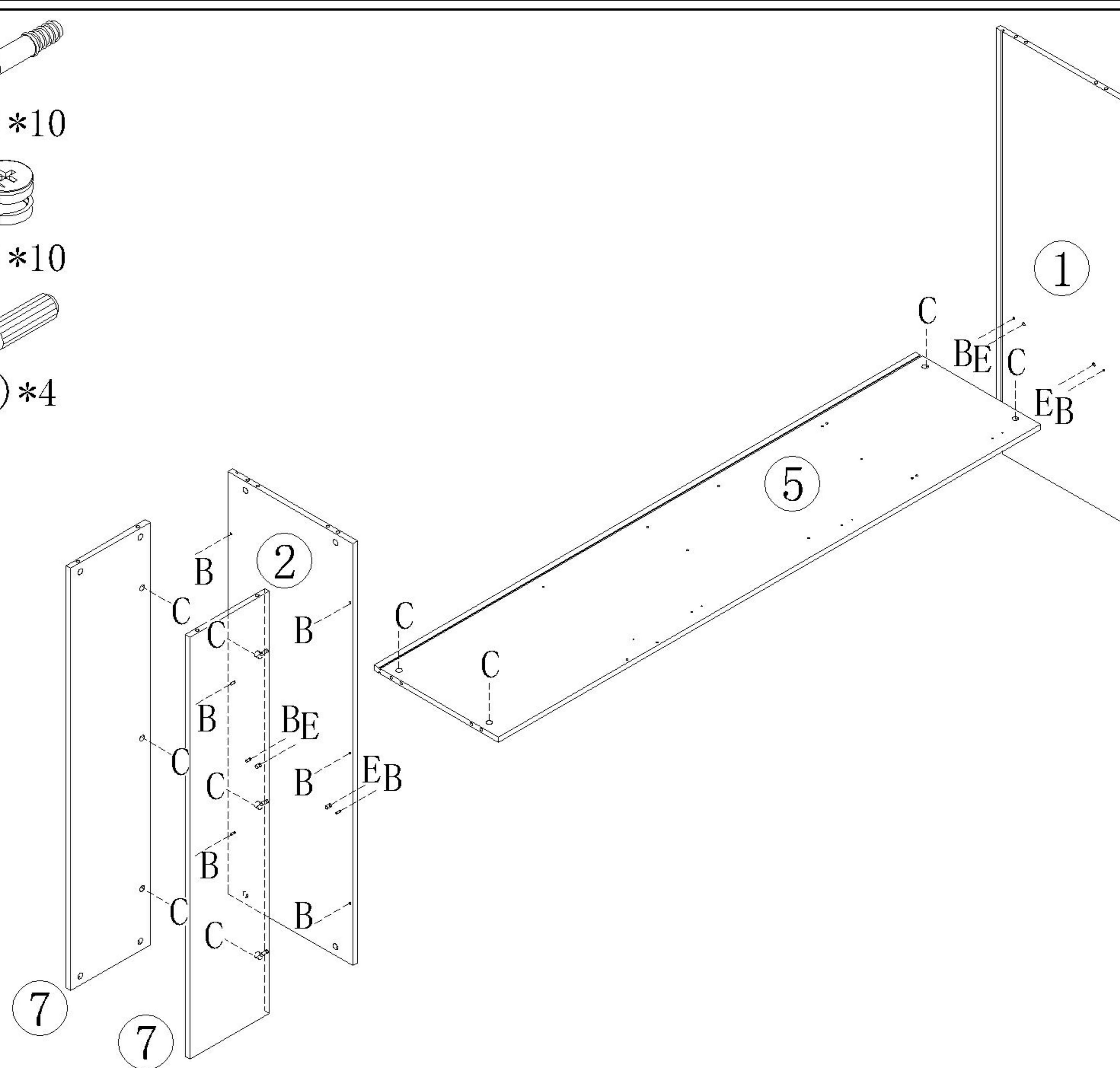
(B)*6 (C)*6 (I)*2 (A)*2 (O)*4



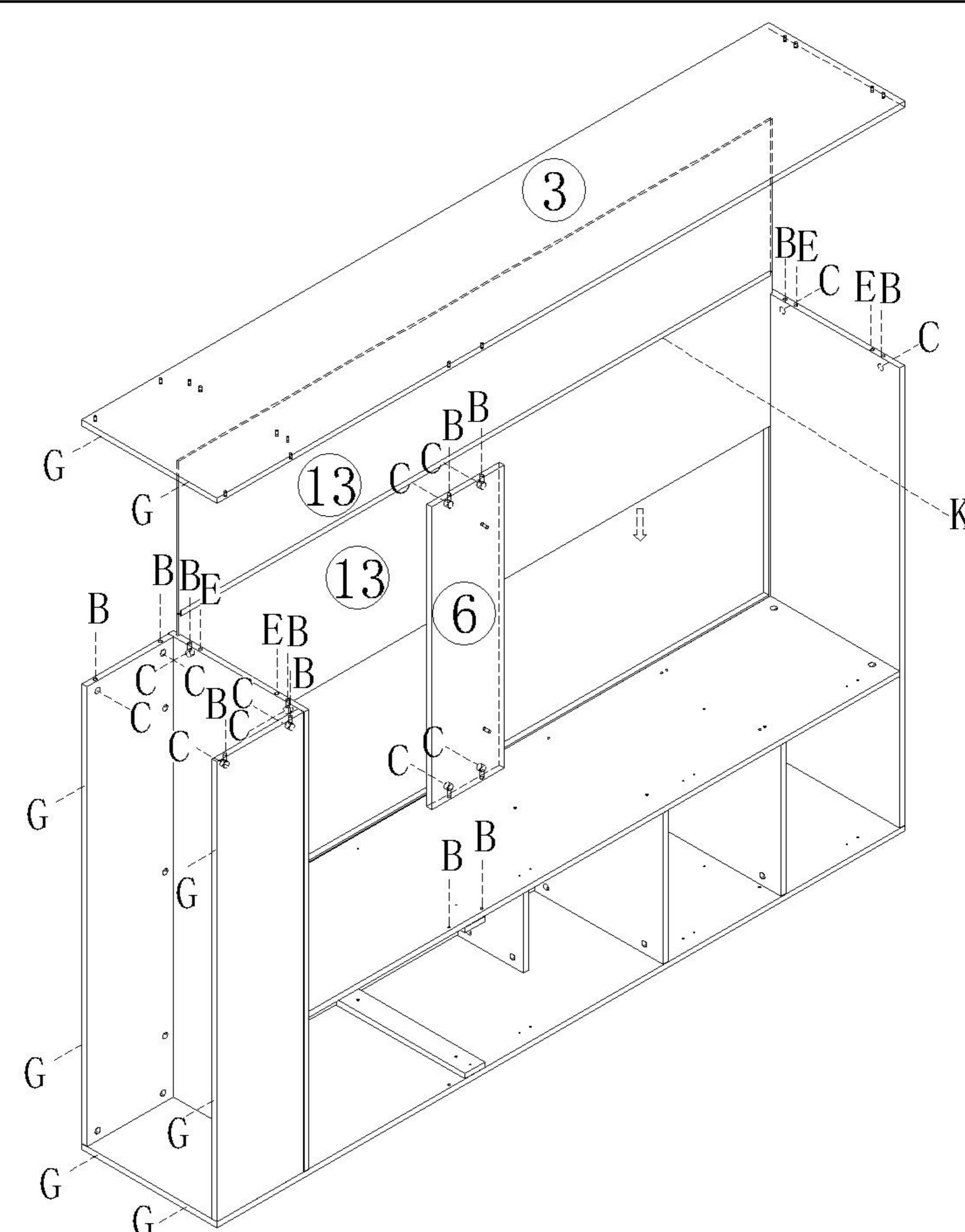
(B)*14
(C)*14
(E)*4



(B)*10
(C)*10
(E)*4



(B)*12
(C)*12
(E)*4
(K)*1
(G)*8



安装方法/
Installation method

大弯big bend

中弯middle bending

直弯straight bending

侧板 side board

门板 Door panel

调节上下 Adjust up and down

调节左右 Adjust left and right

调节前后 Before and after adjustment

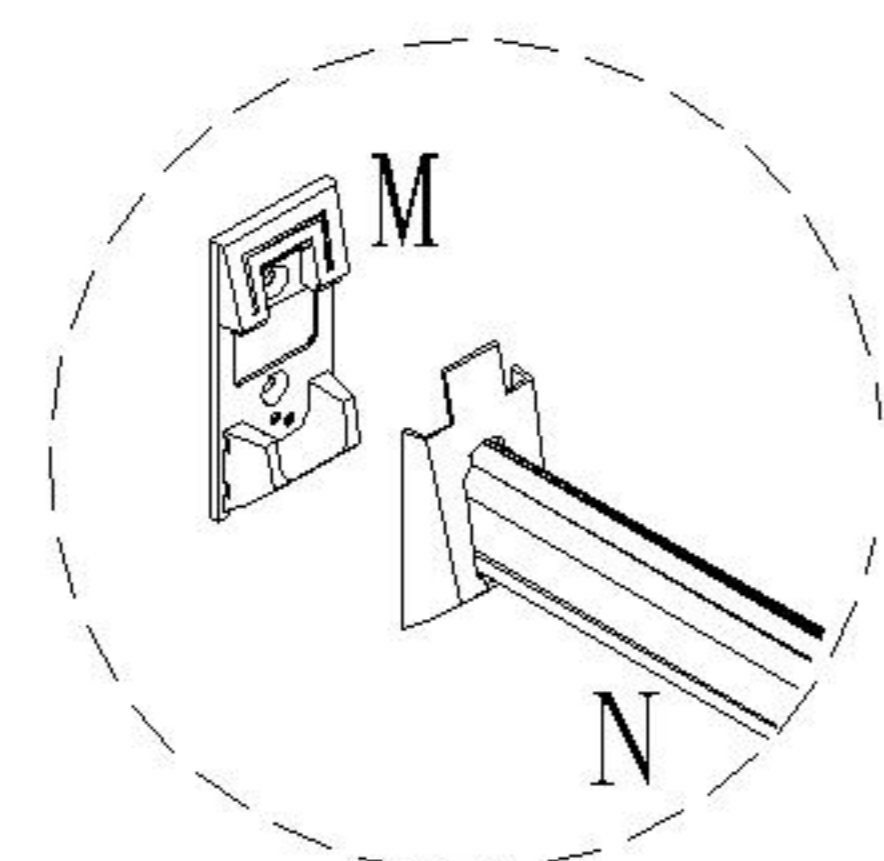
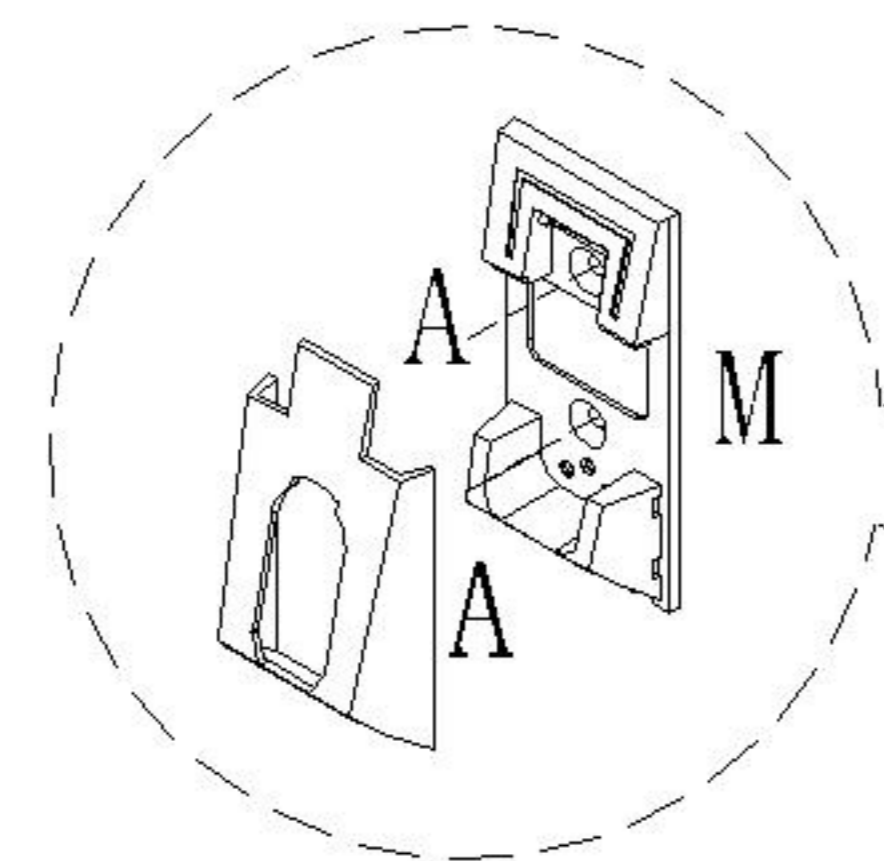
门铰 Hinge

侧板 Side plate

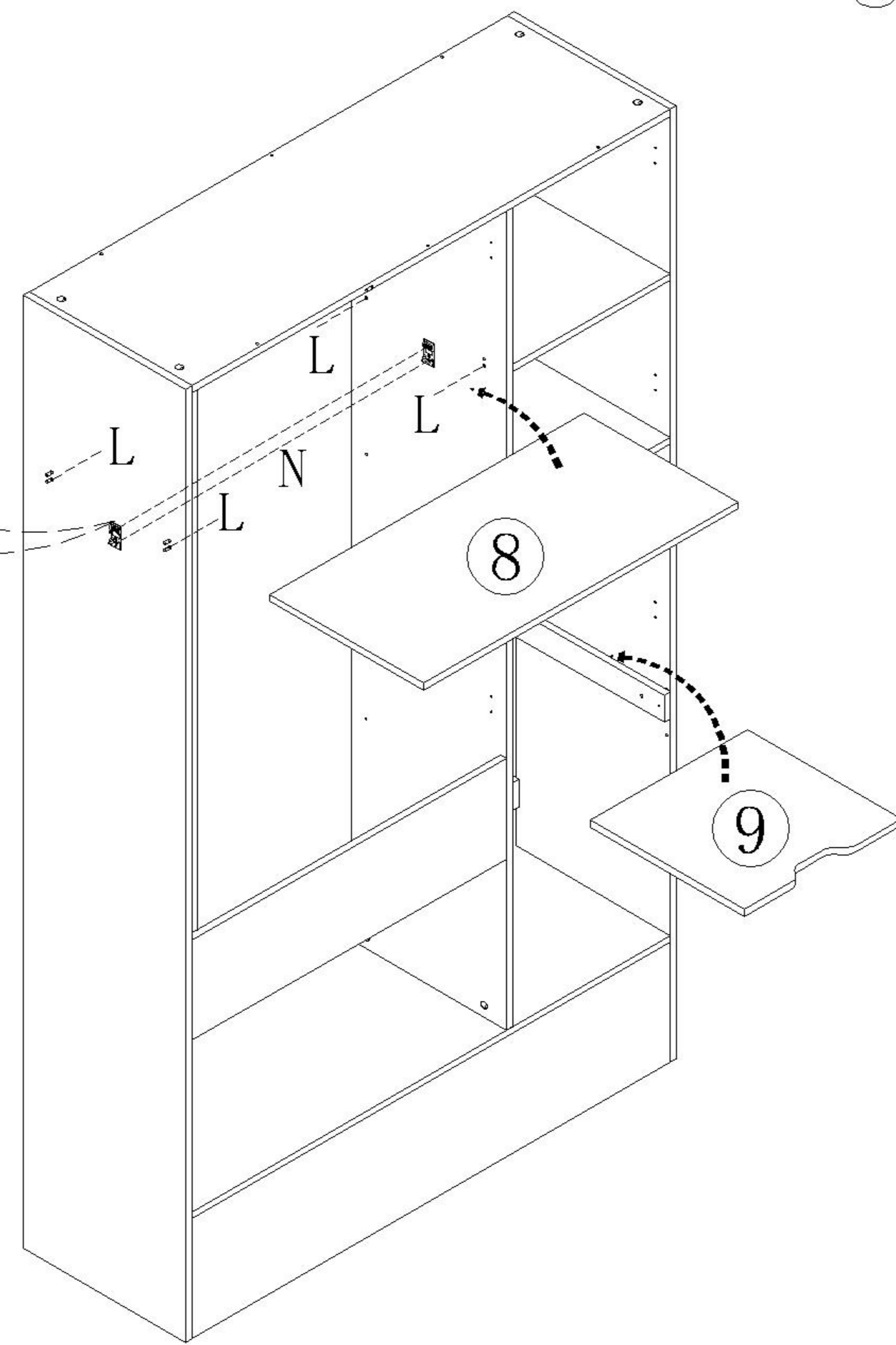
层板托5mm shelf support

- (L)*4 (A)*4 (M)*2 (N)*1

将五金M的盖子拆开再锁
Remove the cover of hardware M and lock it



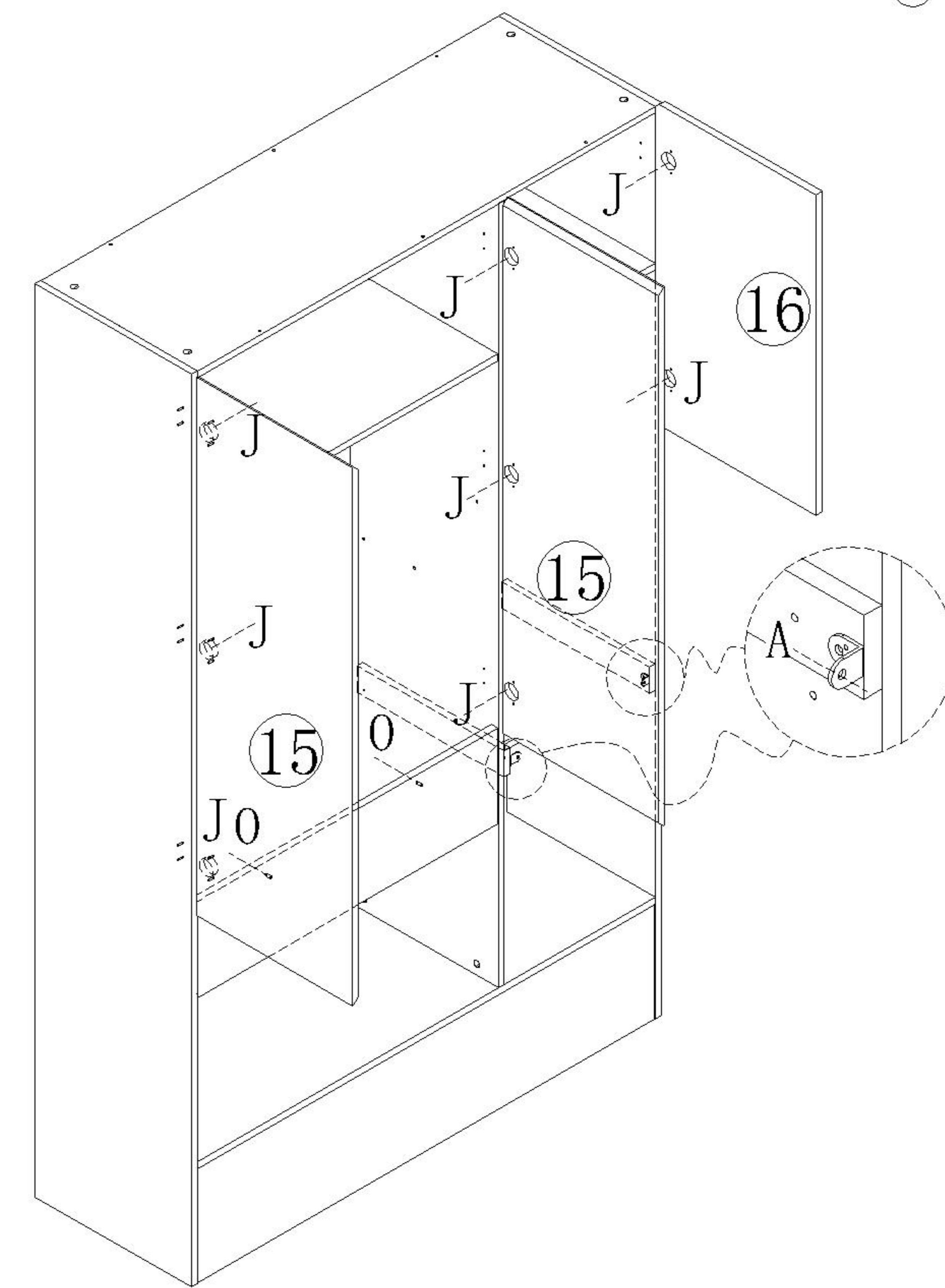
将五金N套进五金M的盖子再
盖在五金M的底座上
Put hardware N into the cover of hardware M and then cover the base of hardware M



5

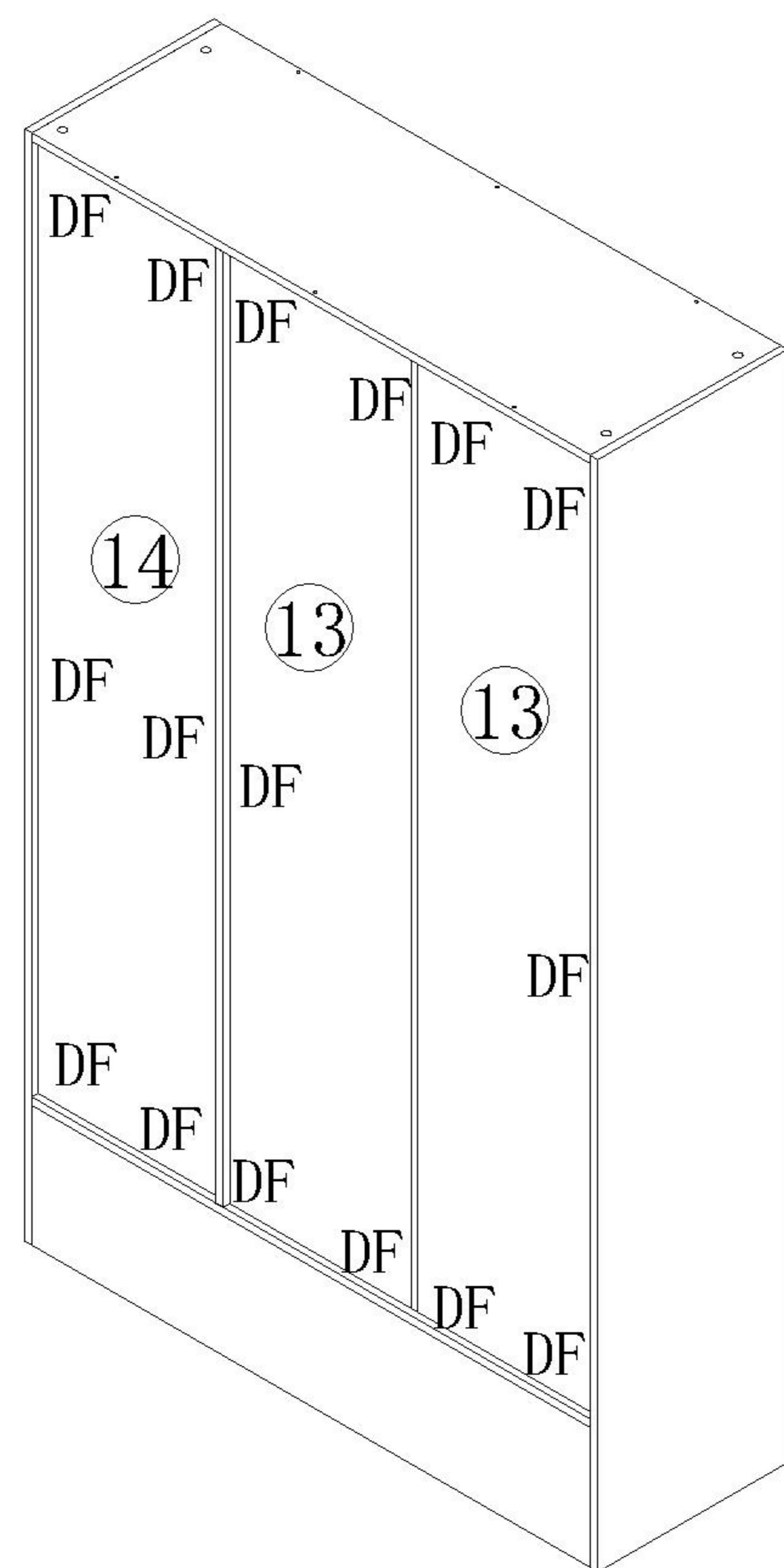
- (J)*8
(O)*2
(A)*2

温馨提示：
安装完成后，与要组合柜子在合适的位置用五金O和A锁紧
Tips:
After installation, lock the cabinet in place with hardware O&A



6

- (D)*16
(F)*16

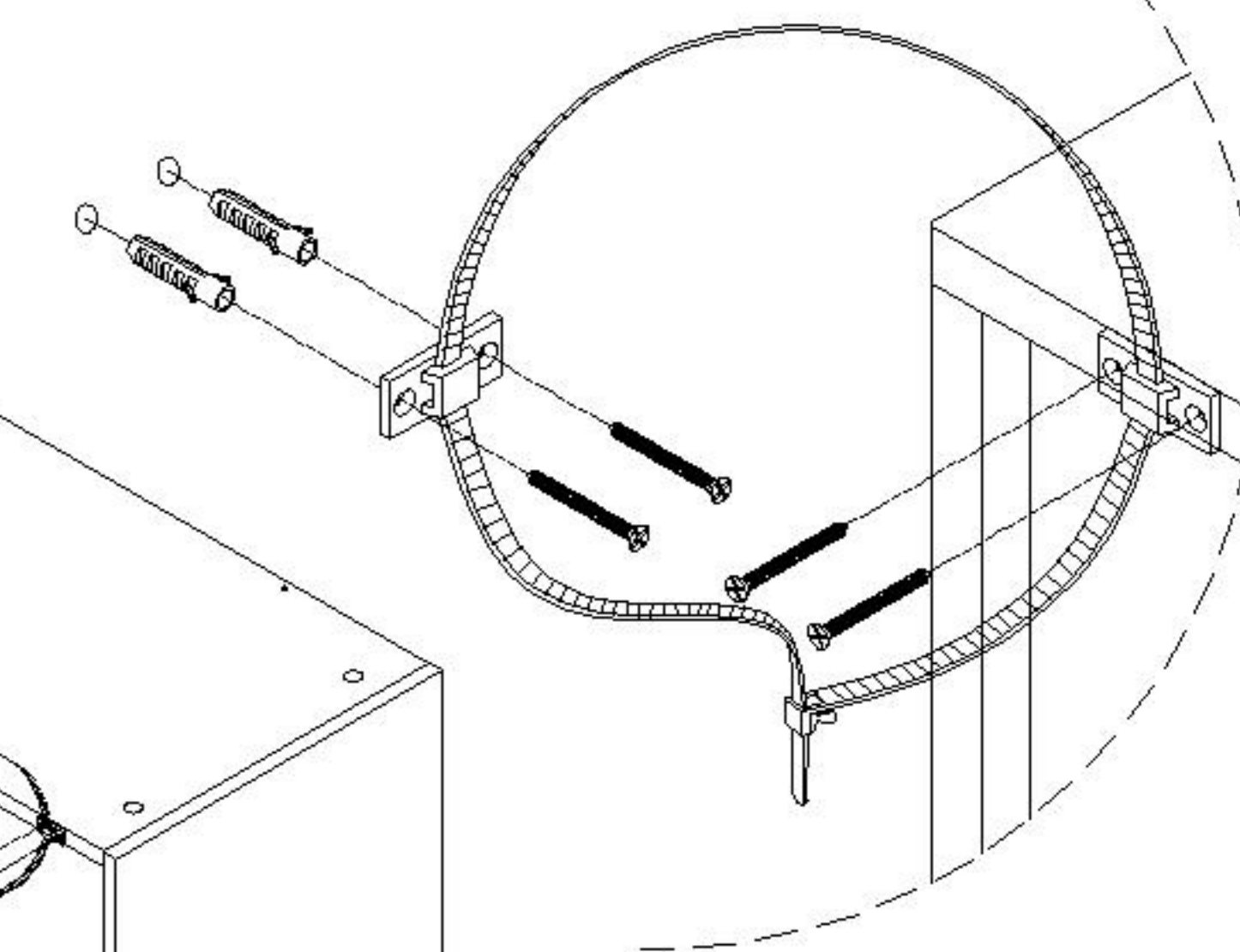


7

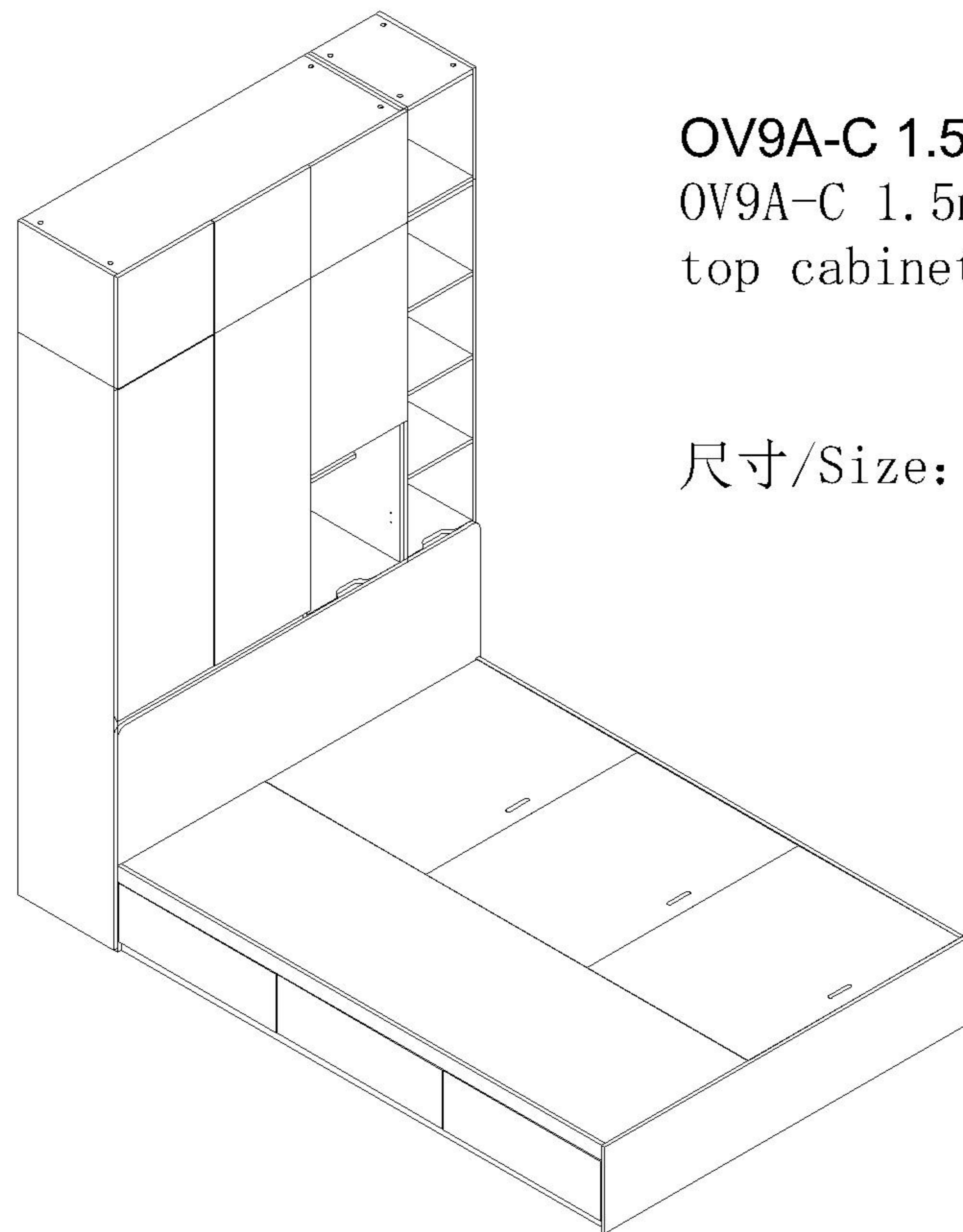
- (H)*2

实体墙
Solid wall

H处放大图
Enlarged Drawing



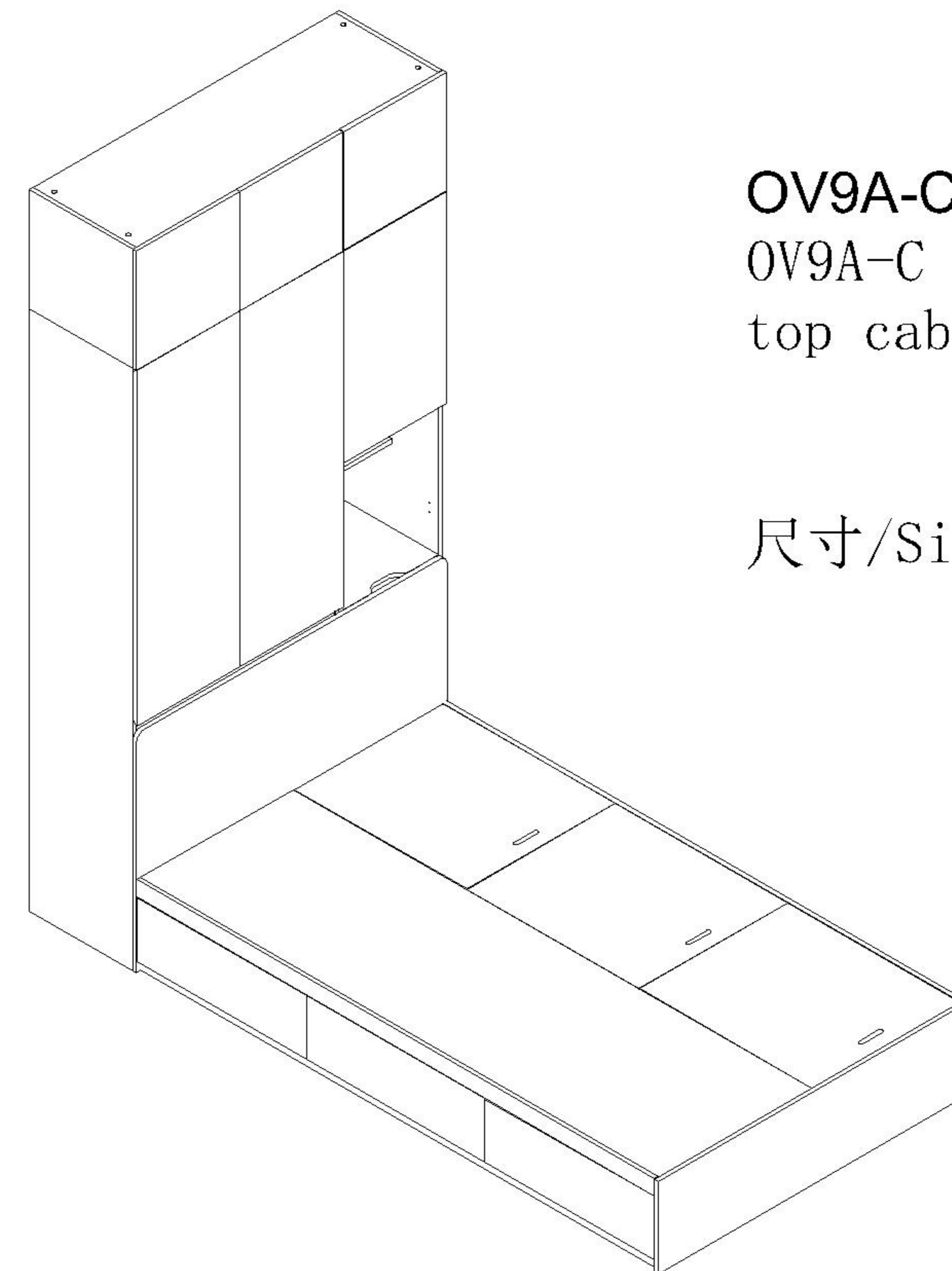
8



OV9A-C 1.5米组合+顶柜
OV9A-C 1.5m combination +
top cabinet

尺寸/Size: 2428*1500*2416MM

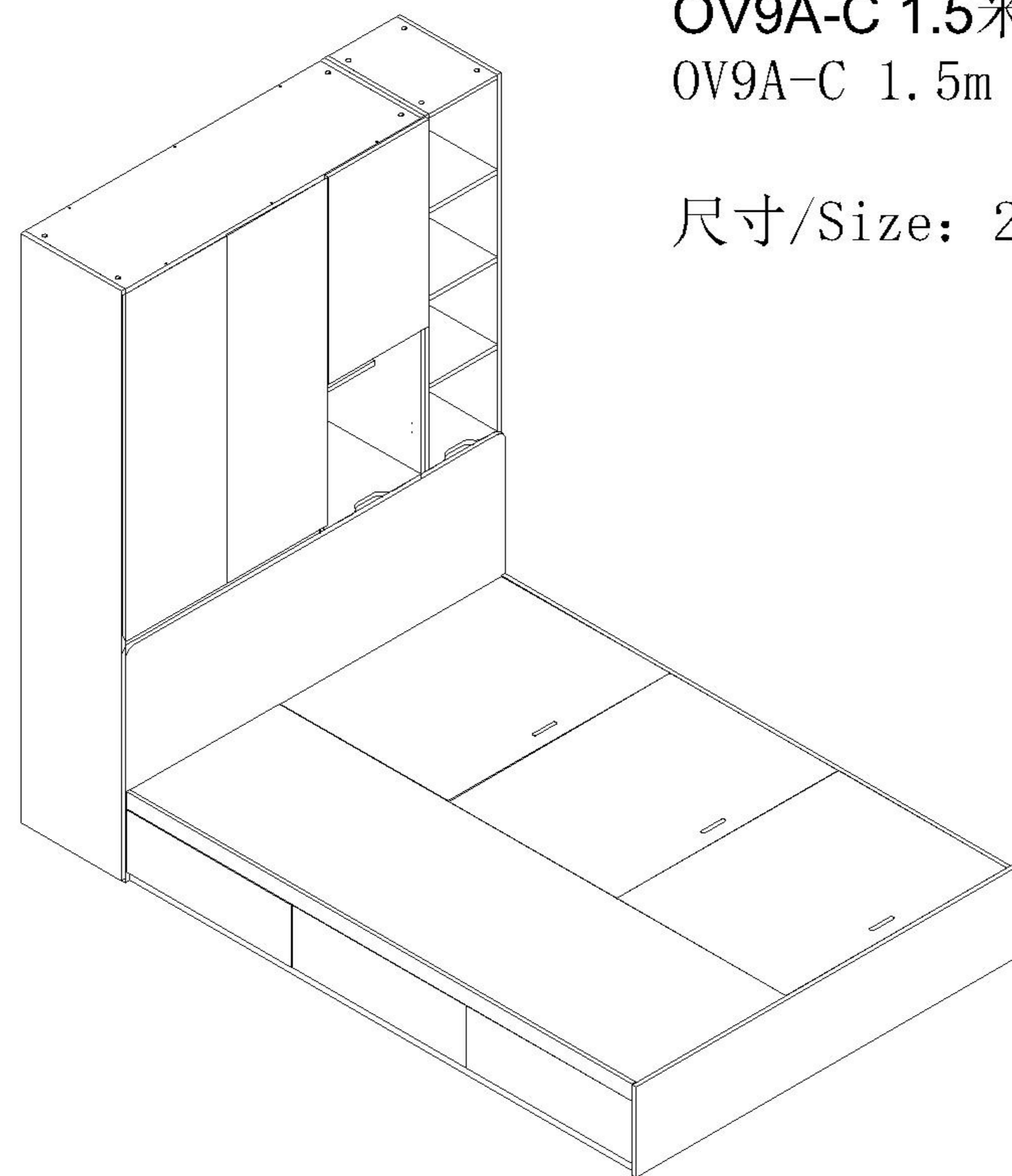
9



OV9A-C 1.2米组合+顶柜
OV9A-C 1.2m combination +
top cabinet

尺寸/Size: 2428*1200*2416MM

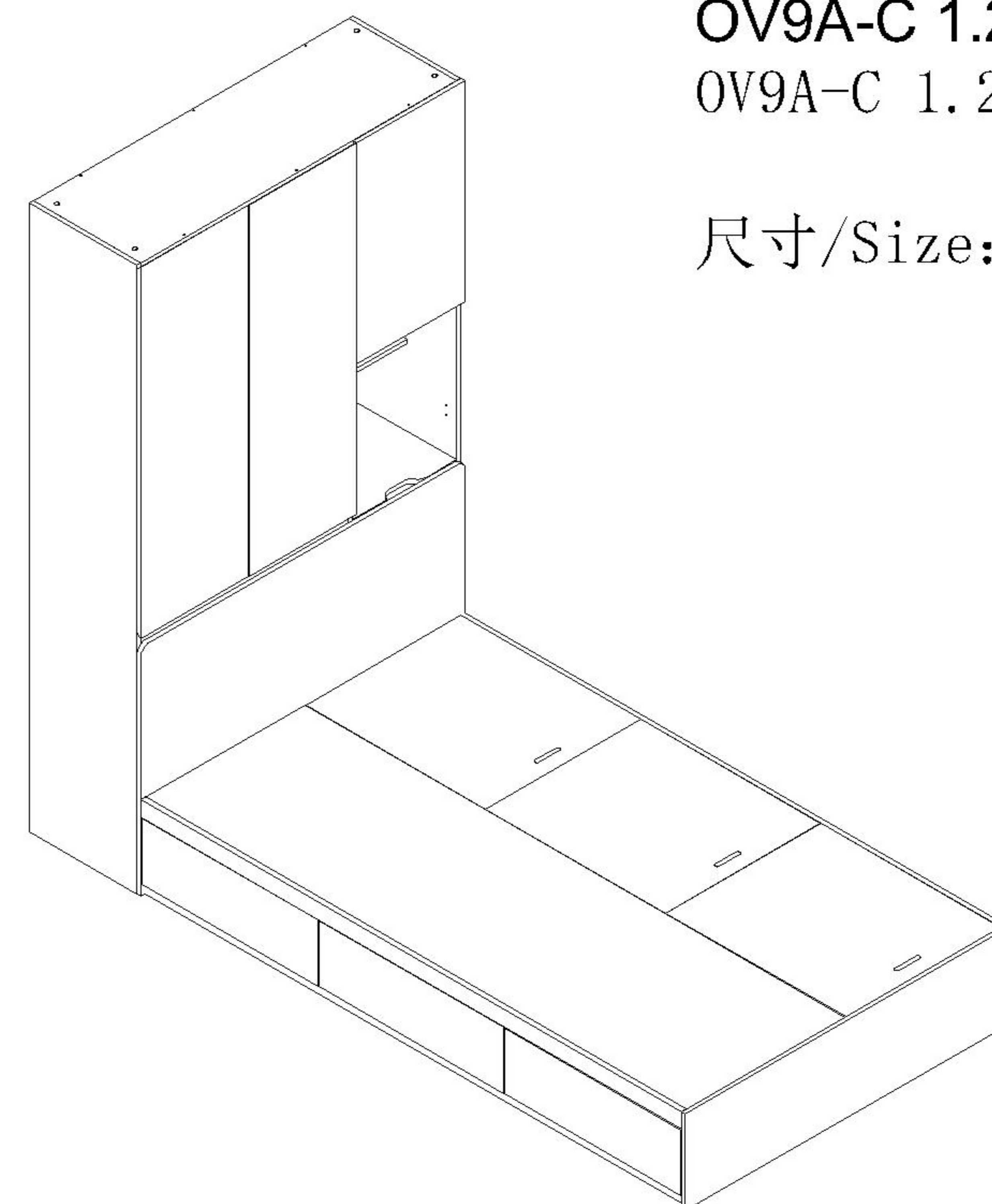
10



OV9A-C 1.5米组合
OV9A-C 1.5m combination

尺寸/Size: 2428*1500*2018MM

11

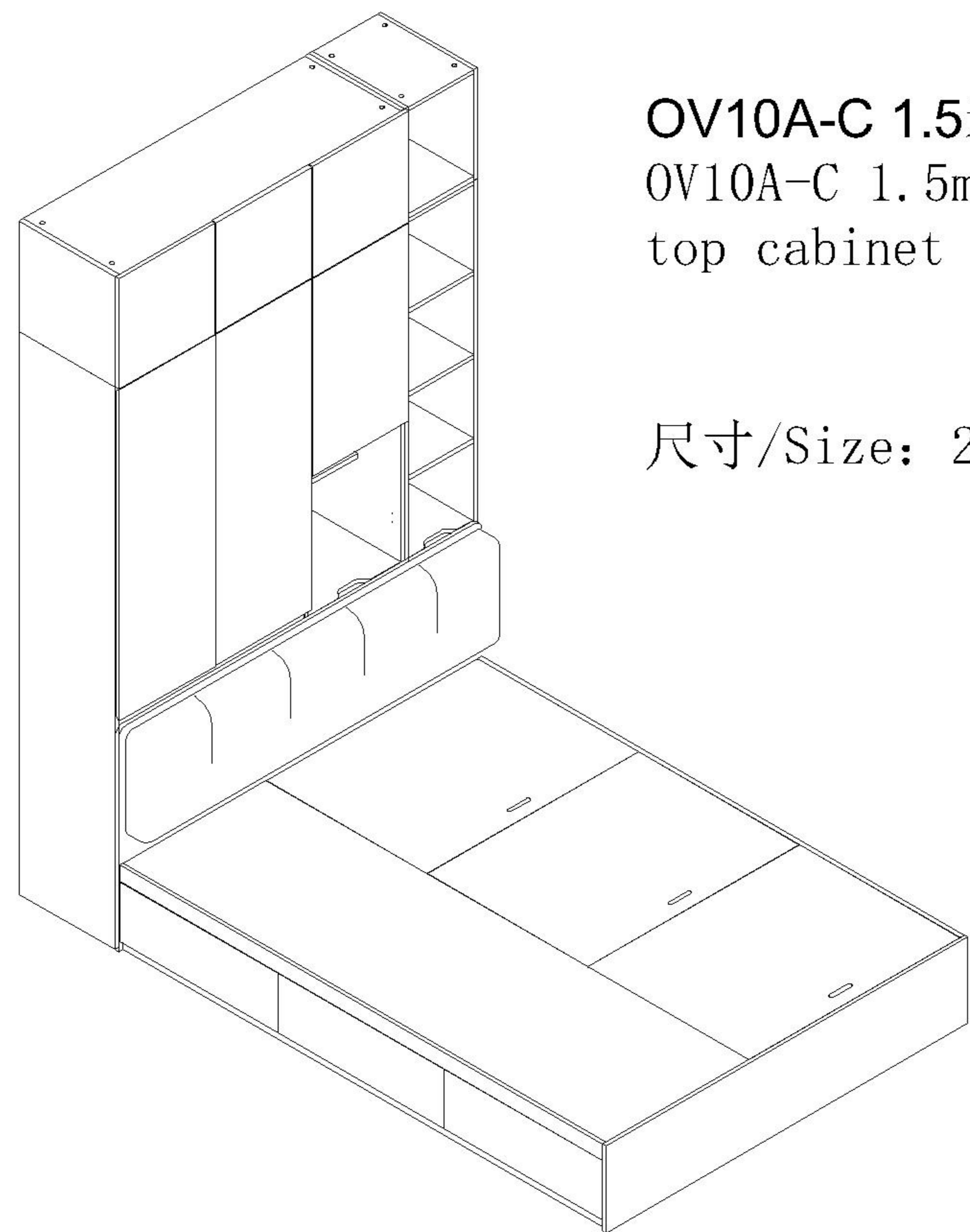


OV9A-C 1.2米组合
OV9A-C 1.2m combination

尺寸/Size: 2428*1200*2018MM

12

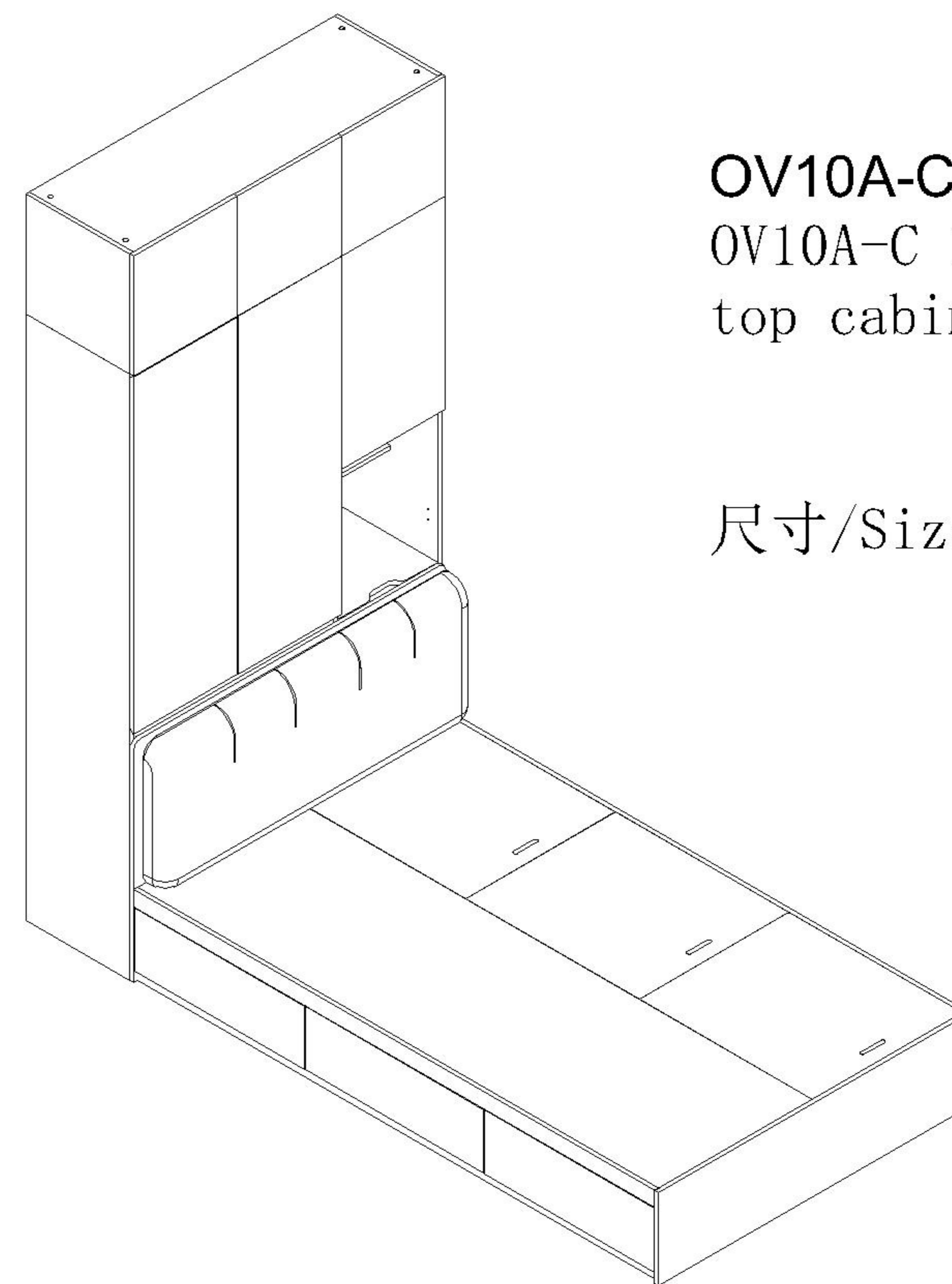
13



OV10A-C 1.5米组合+顶柜
OV10A-C 1.5m combination +
top cabinet

尺寸/Size: 2428*1500*2416MM

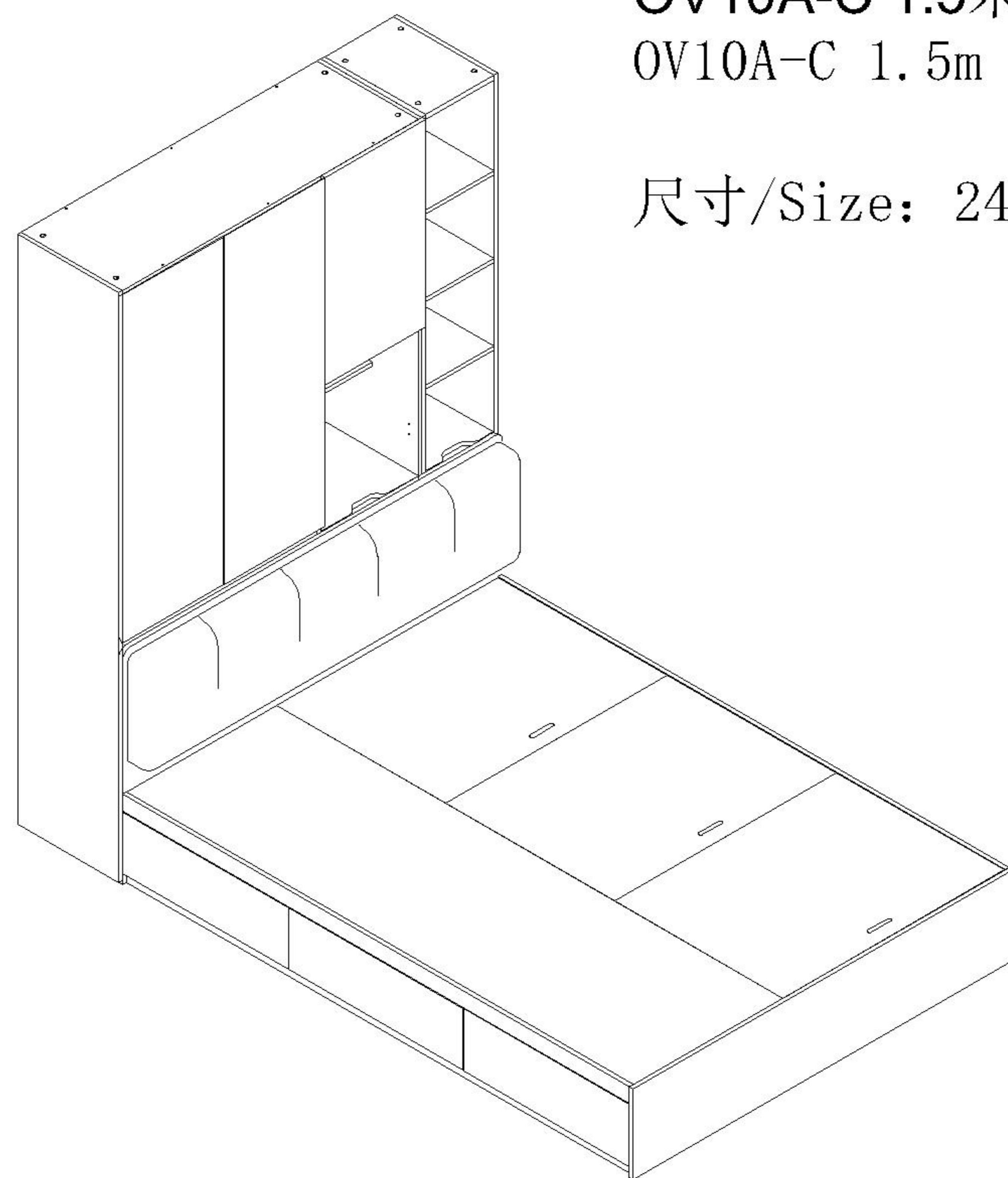
14



OV10A-C 1.2米组合+顶柜
OV10A-C 1.2m combination +
top cabinet

尺寸/Size: 2428*1200*2416MM

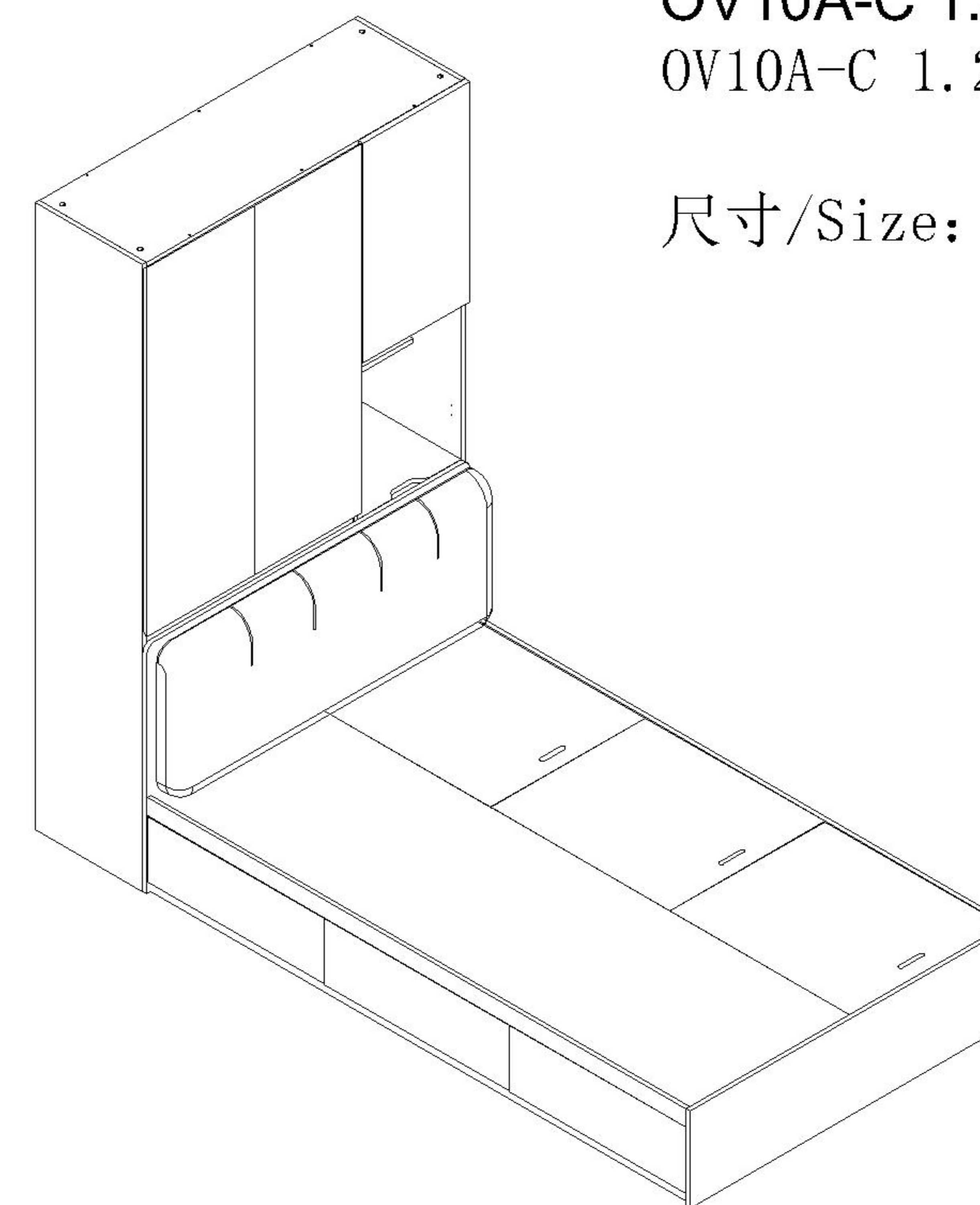
15



OV10A-C 1.5米组合
OV10A-C 1.5m combination

尺寸/Size: 2428*1500*2018MM

16



OV10A-C 1.2米组合
OV10A-C 1.2m combination

尺寸/Size: 2428*1200*2018MM