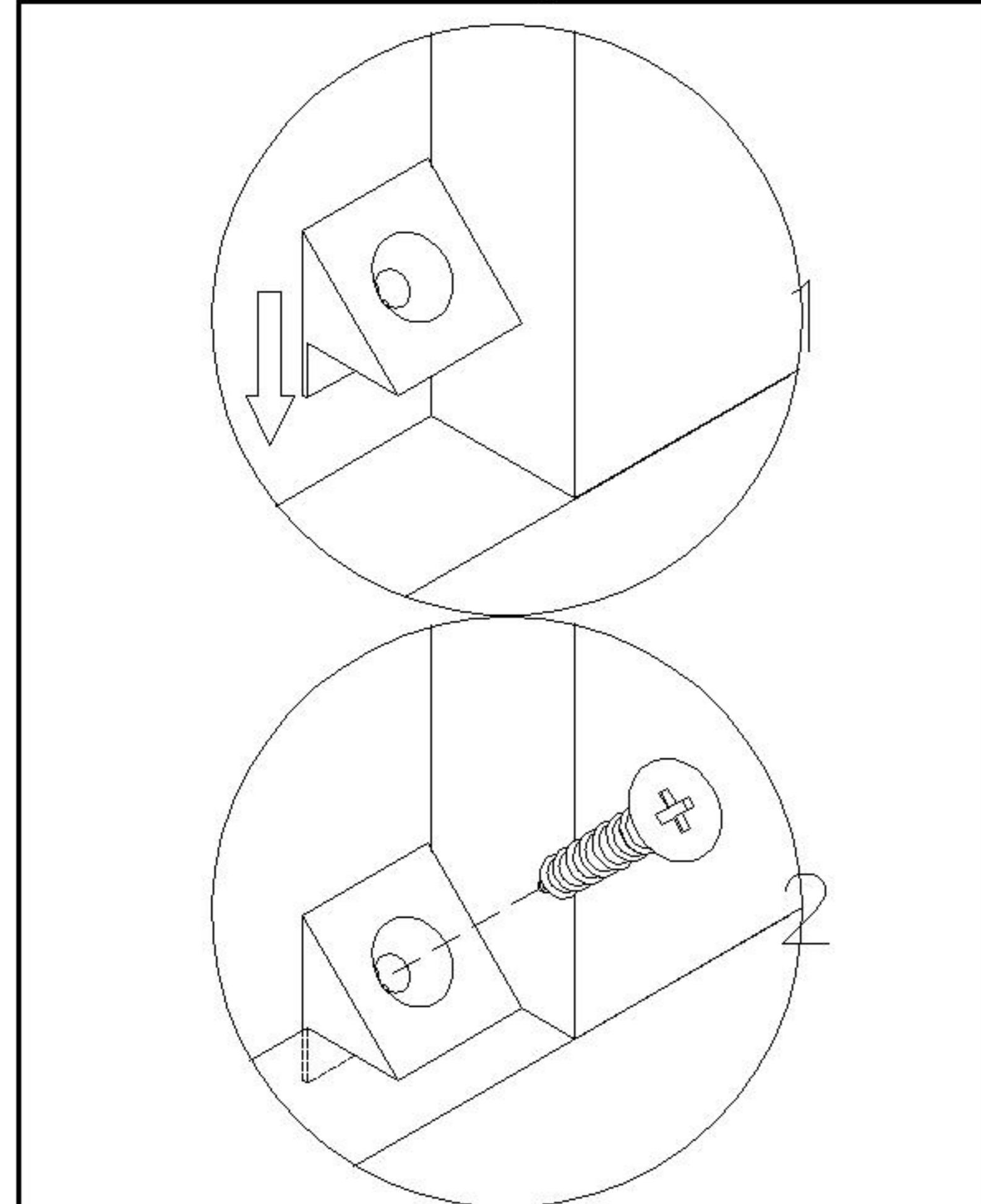
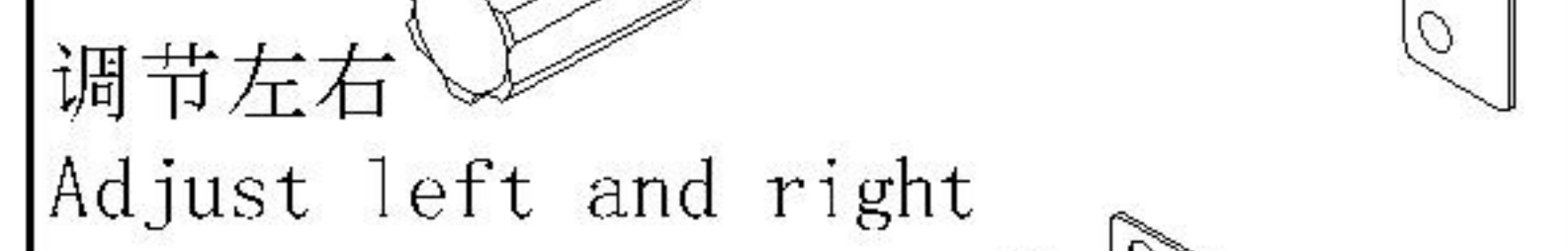
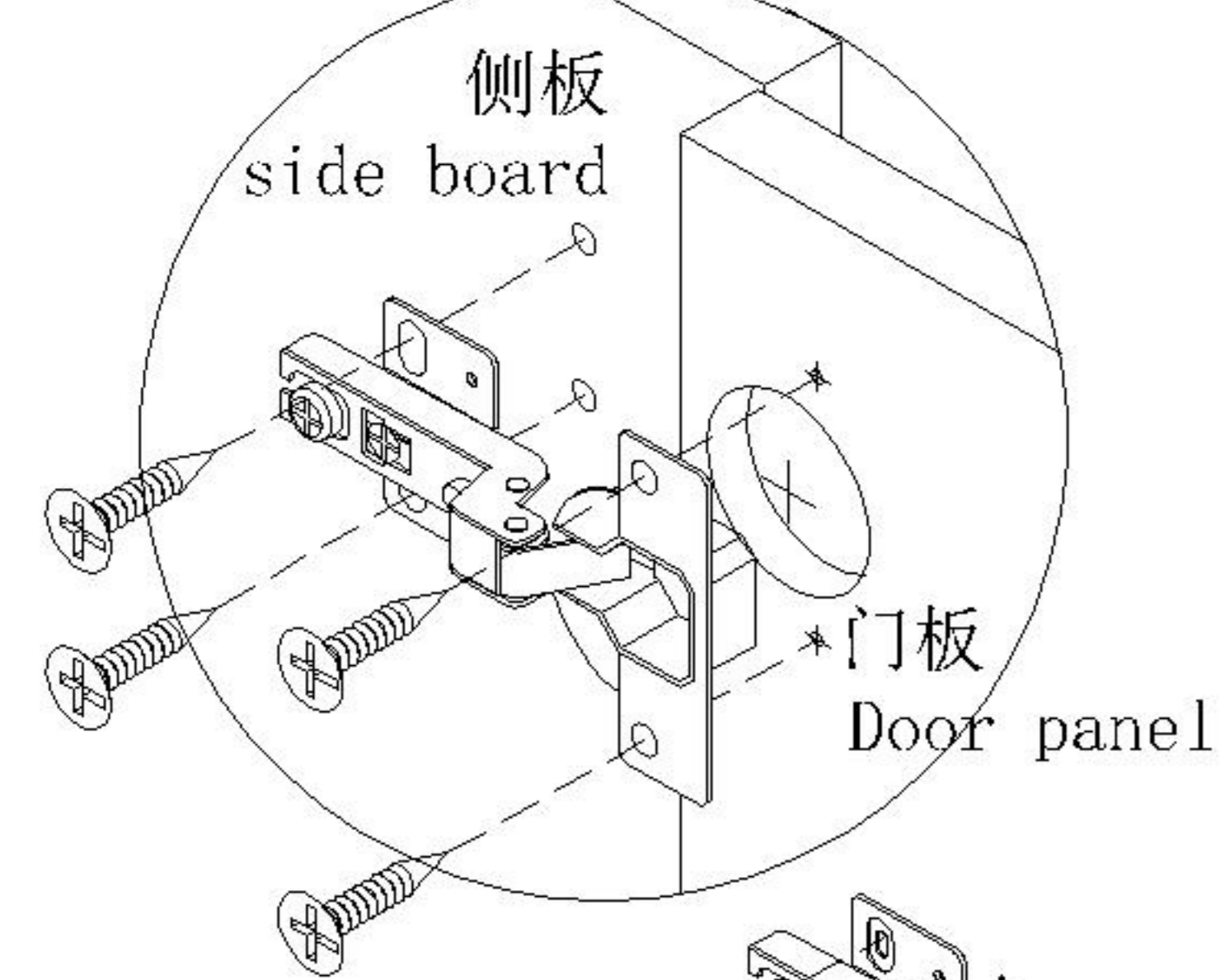
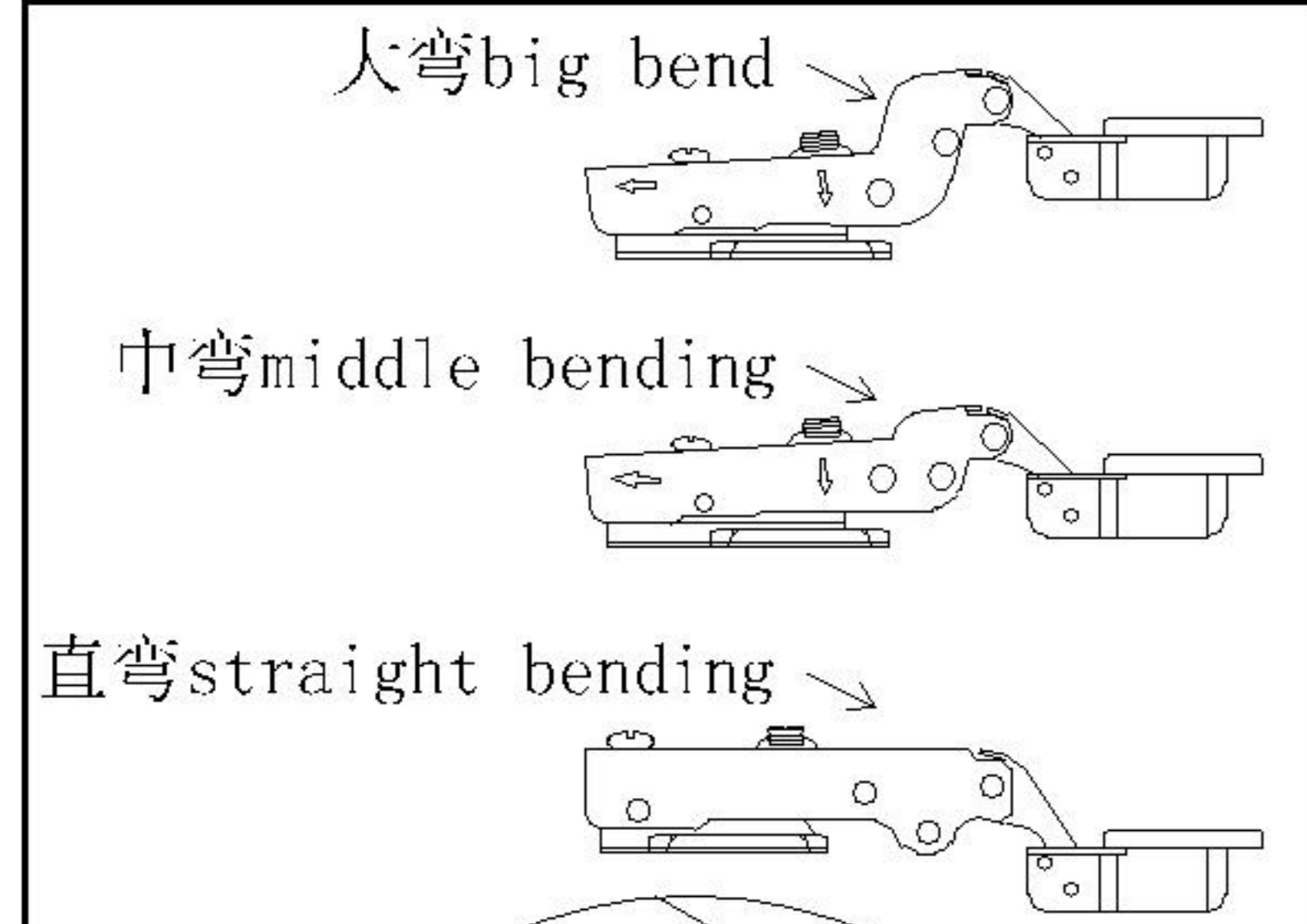


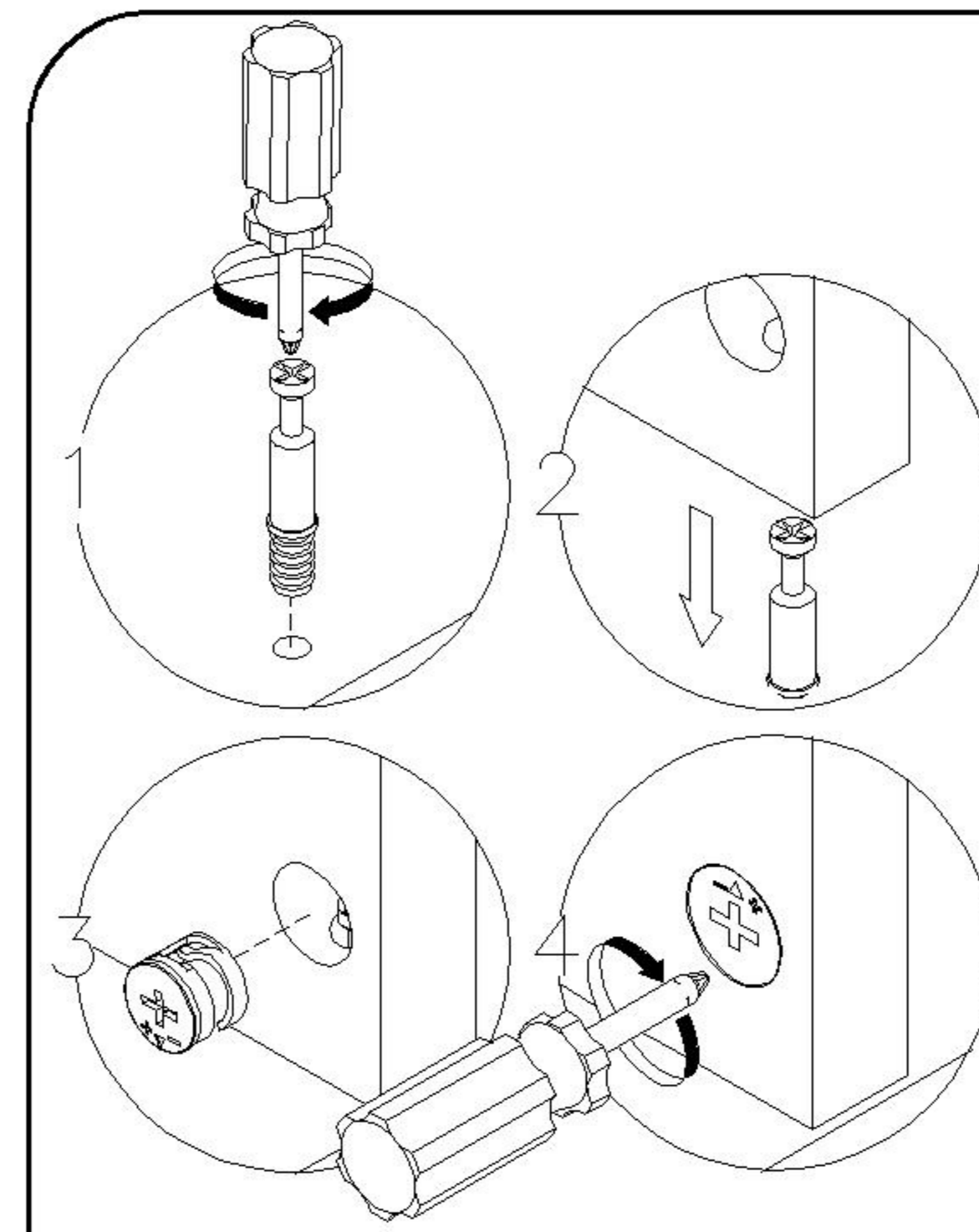
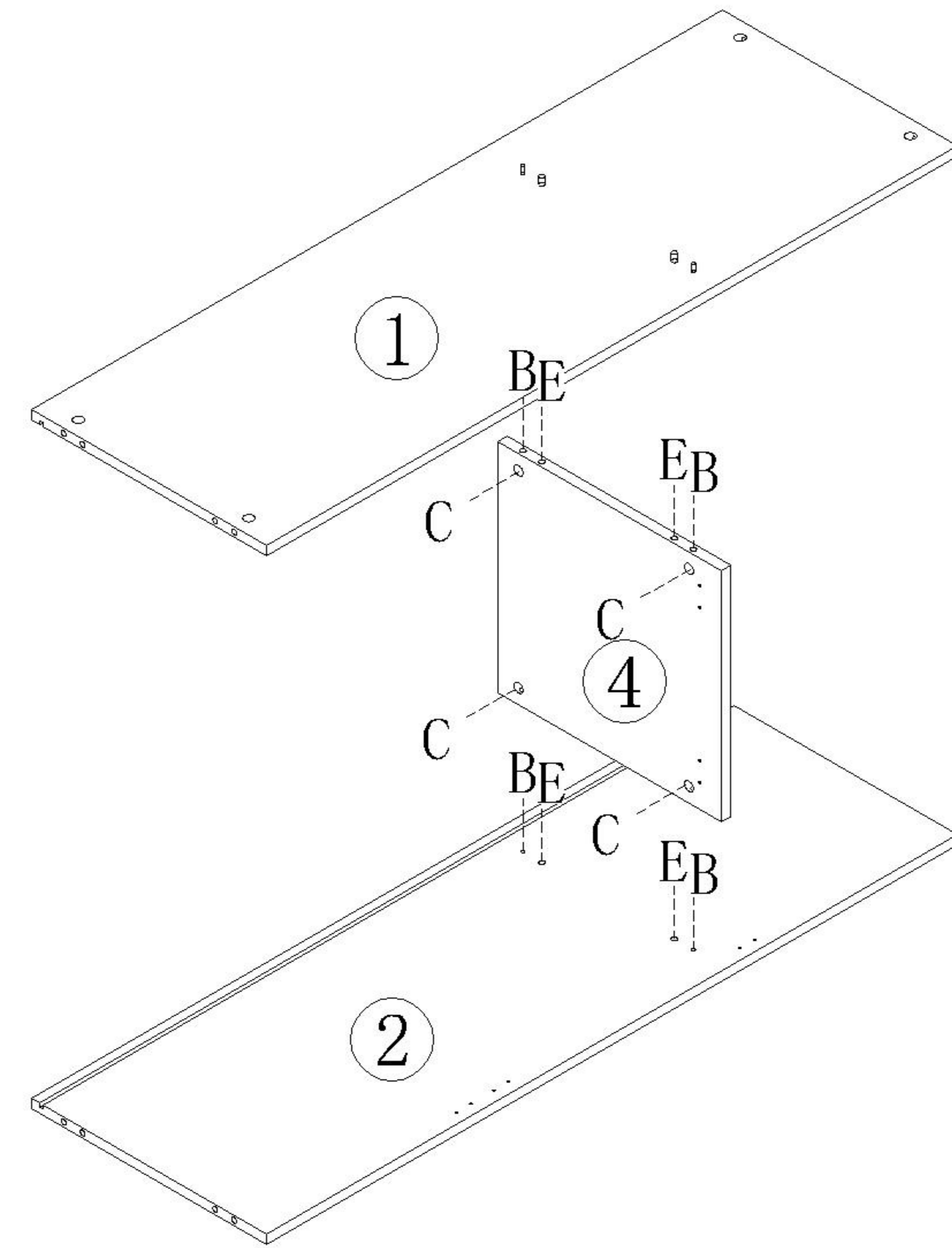
OV3G-C

安装方法/
Installation method



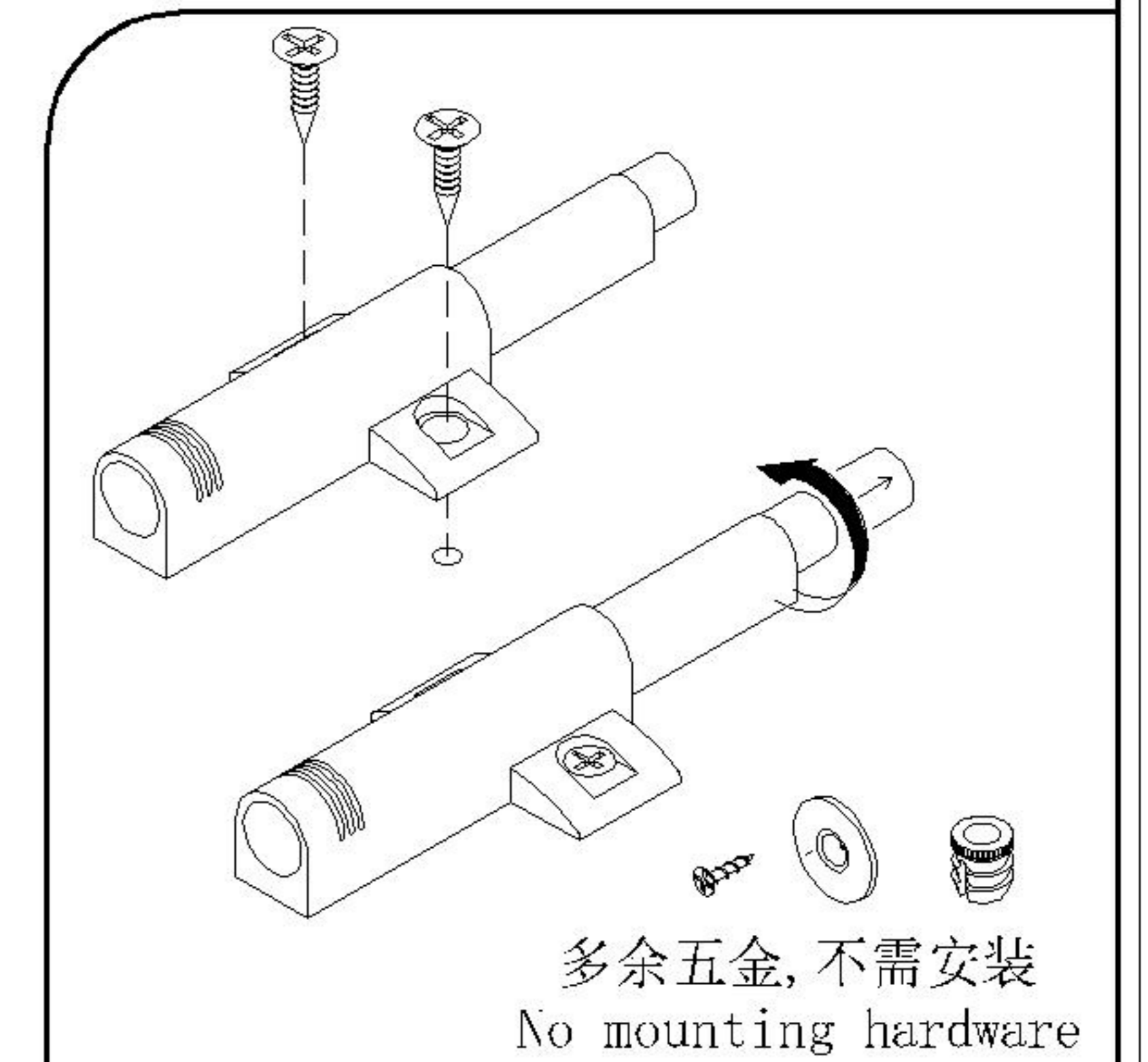
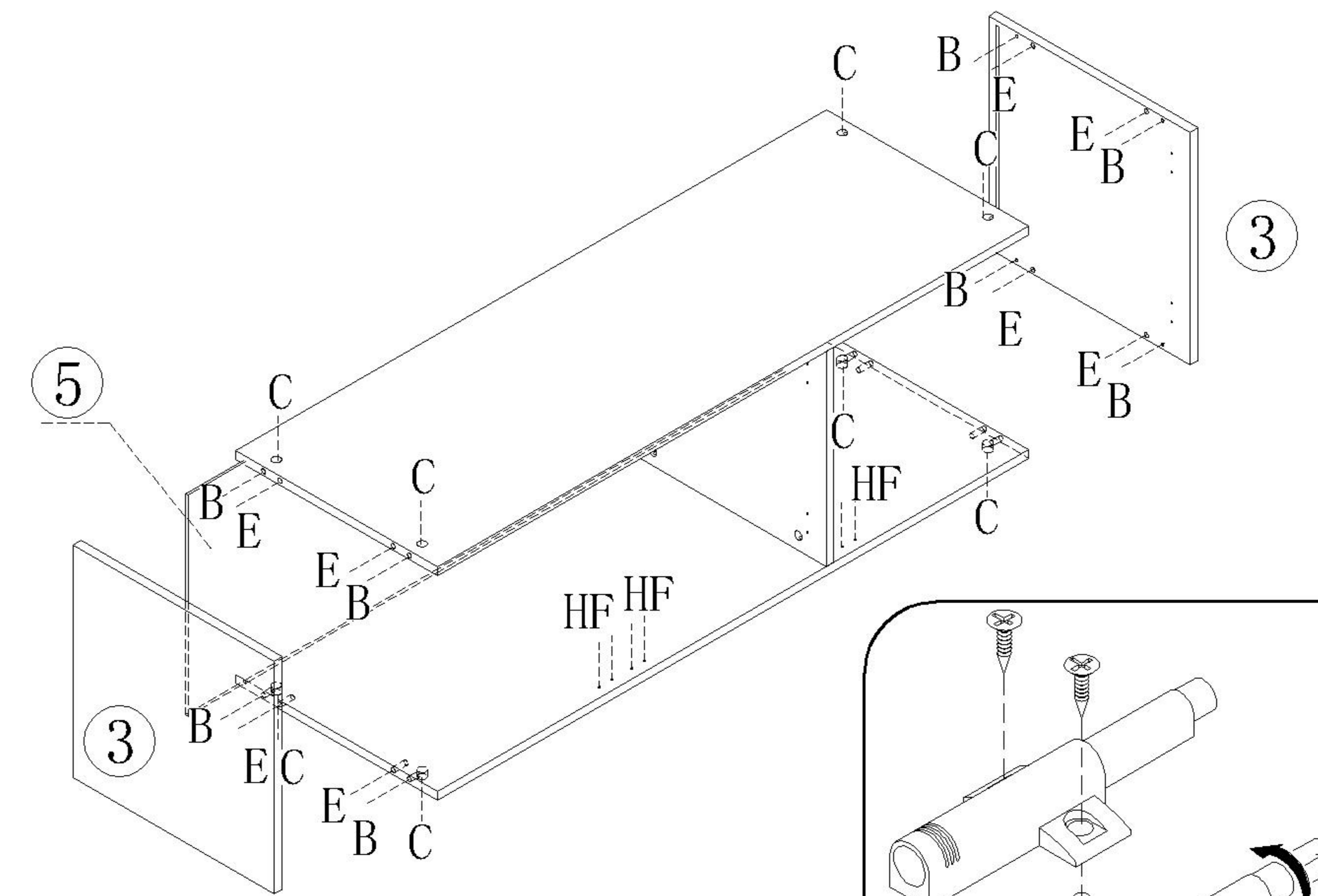
背板扣
Back Plate Buckle-White

- (B)*4
- (C)*4
- (E)*4



二合一 two-in-one

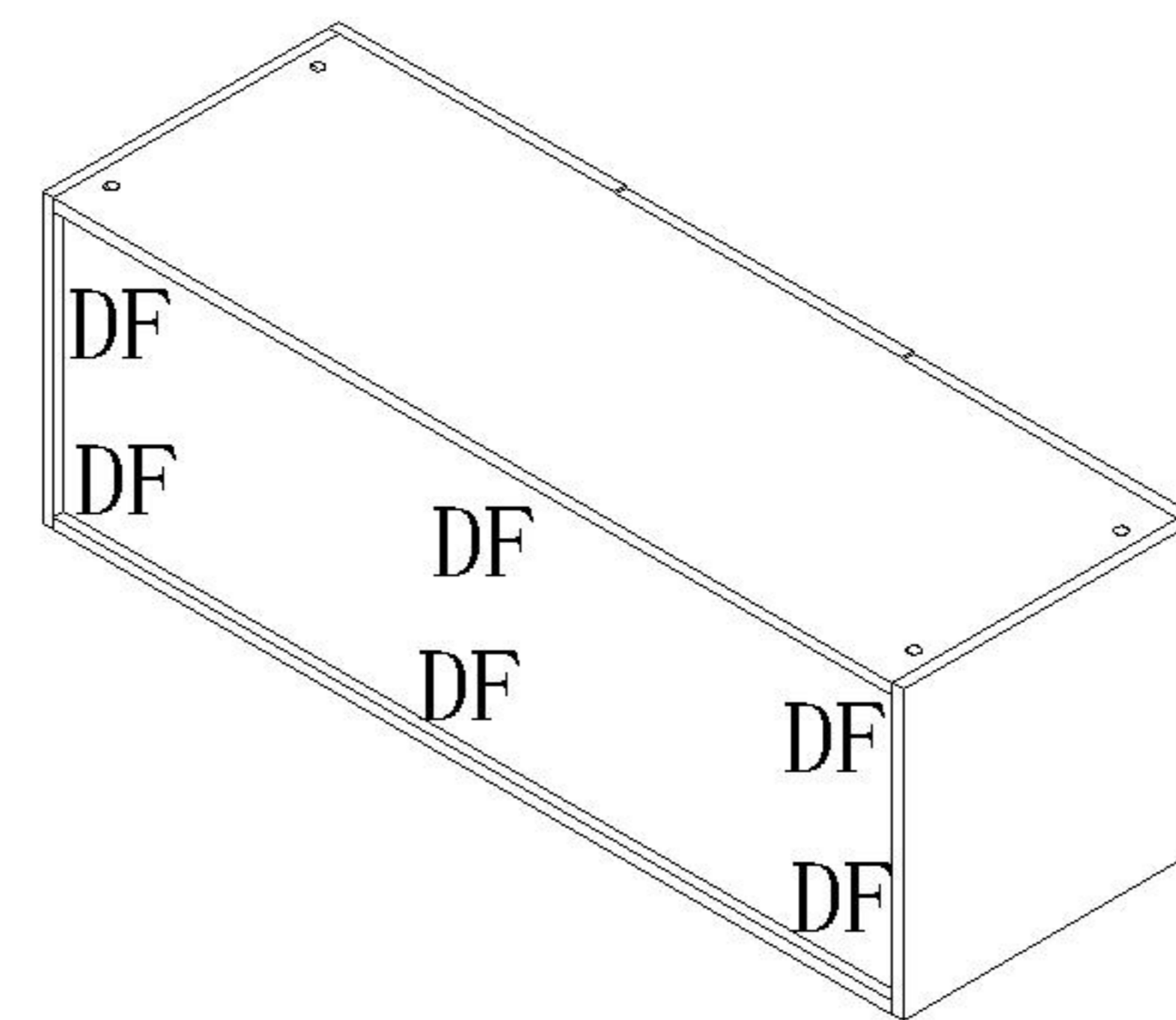
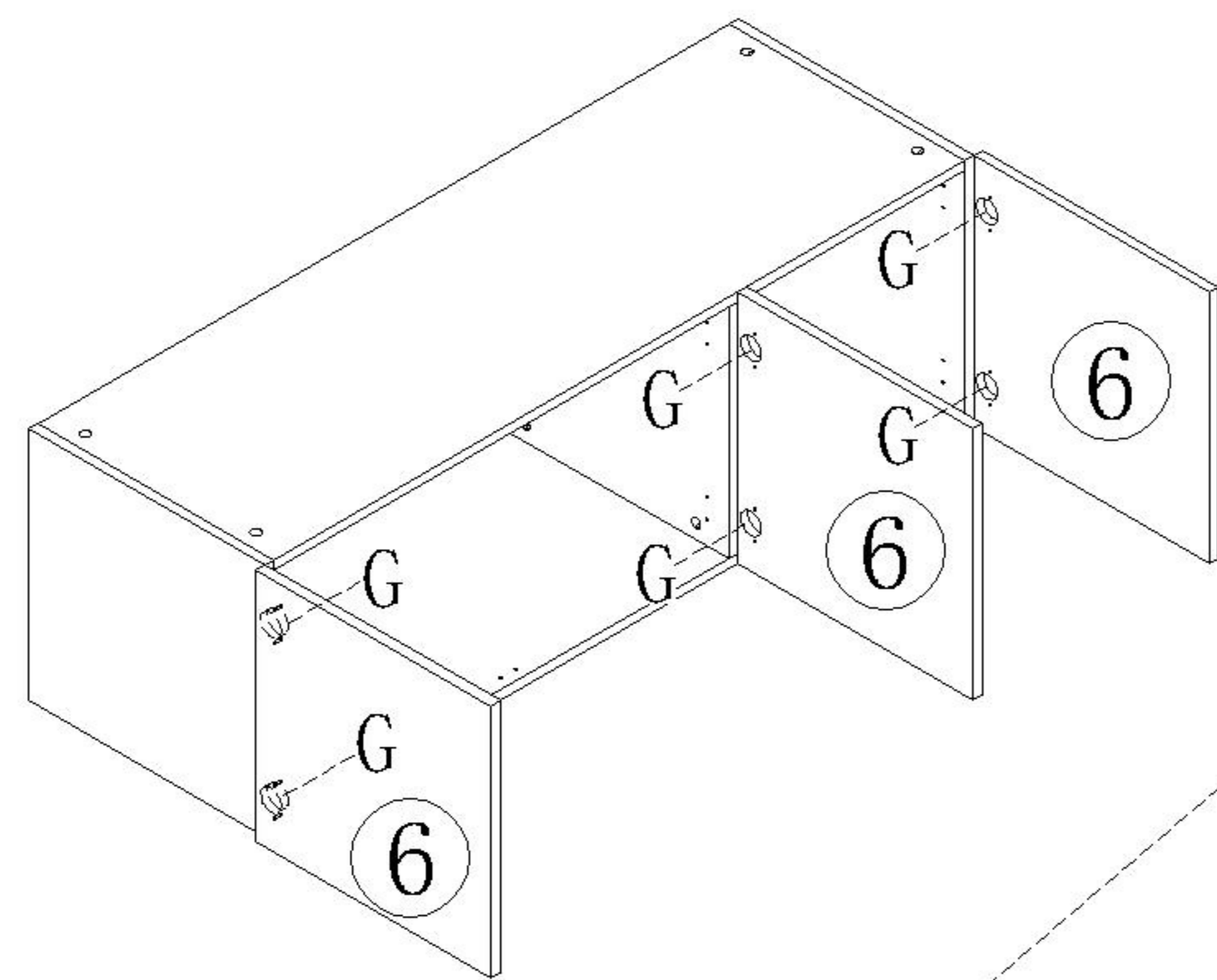
- (B)*8
- (C)*8
- (E)*8
- (H)*3
- (F)*6



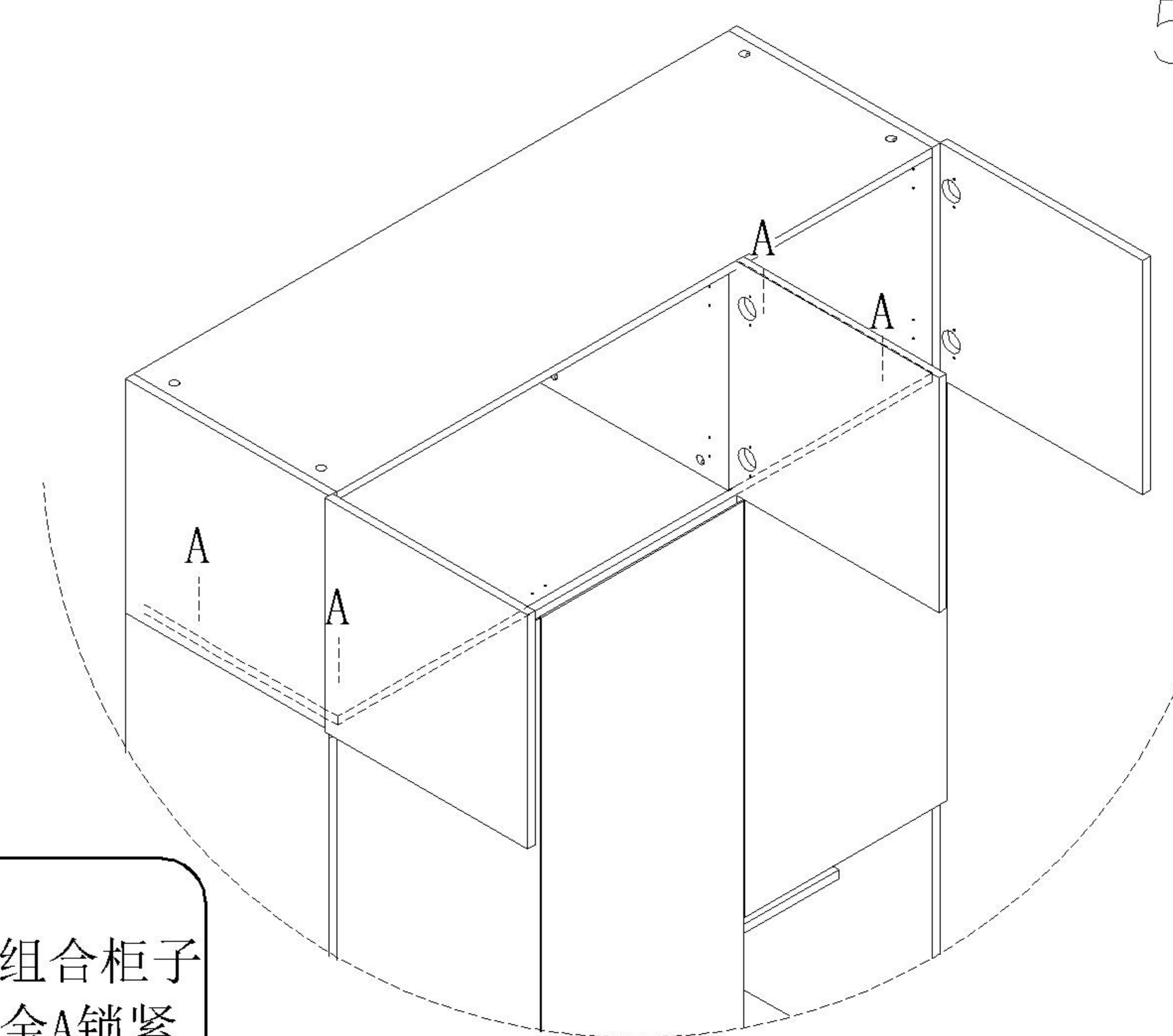
反弹器安装及调节方法
Rebounder

多余五金, 不需安装
No mounting hardware

- (G)*6



- (A)*4
- (D)*6
- (F)*6



温馨提示:
安装完成后, 与要组合柜子在合适的位置用五金A锁紧
Tips:
After installation,
lock the cabinet in
place with hardware A