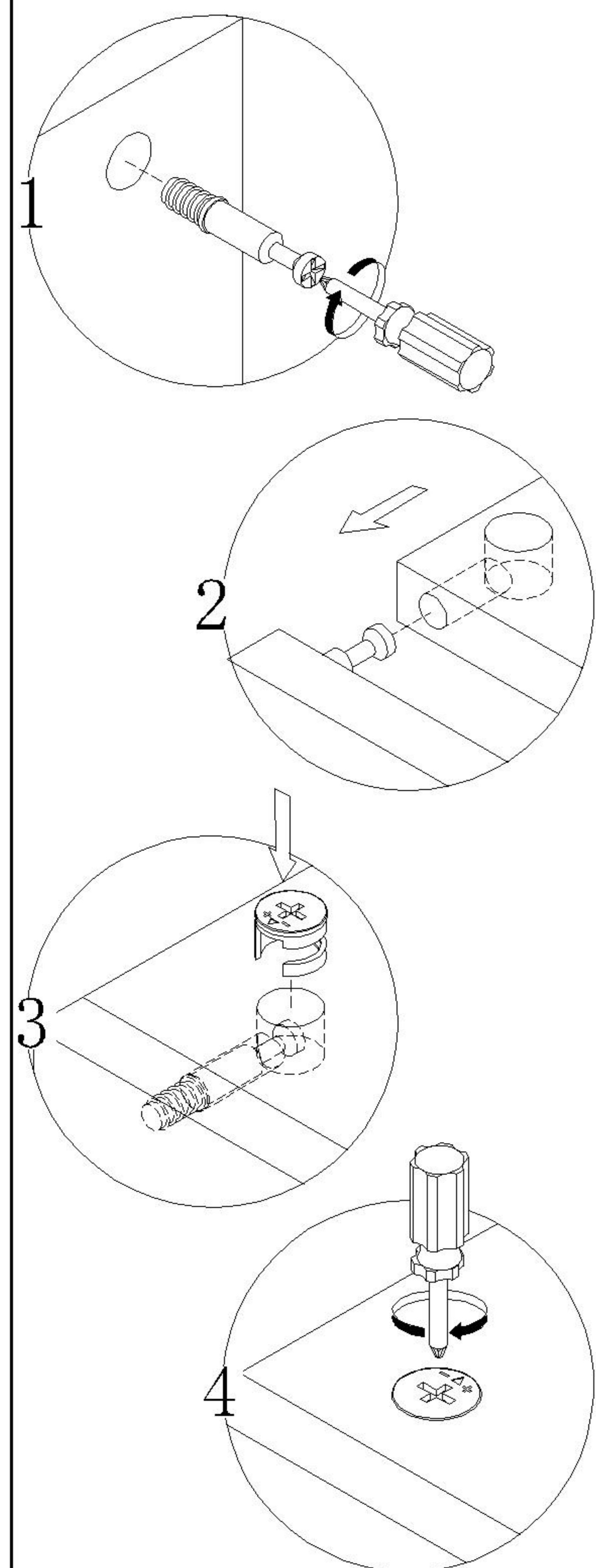
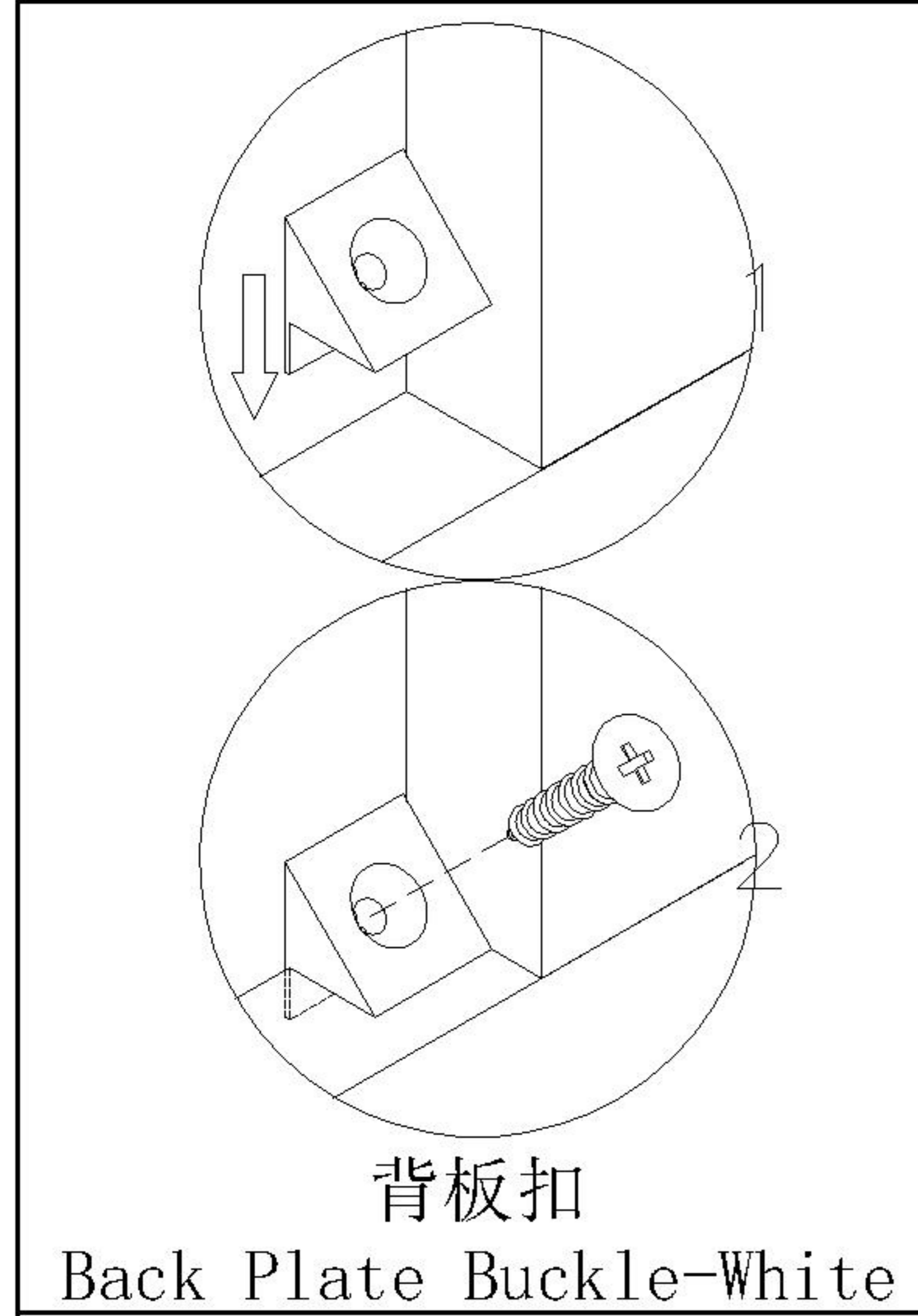


OV3G-C

安装方法/
Installation method

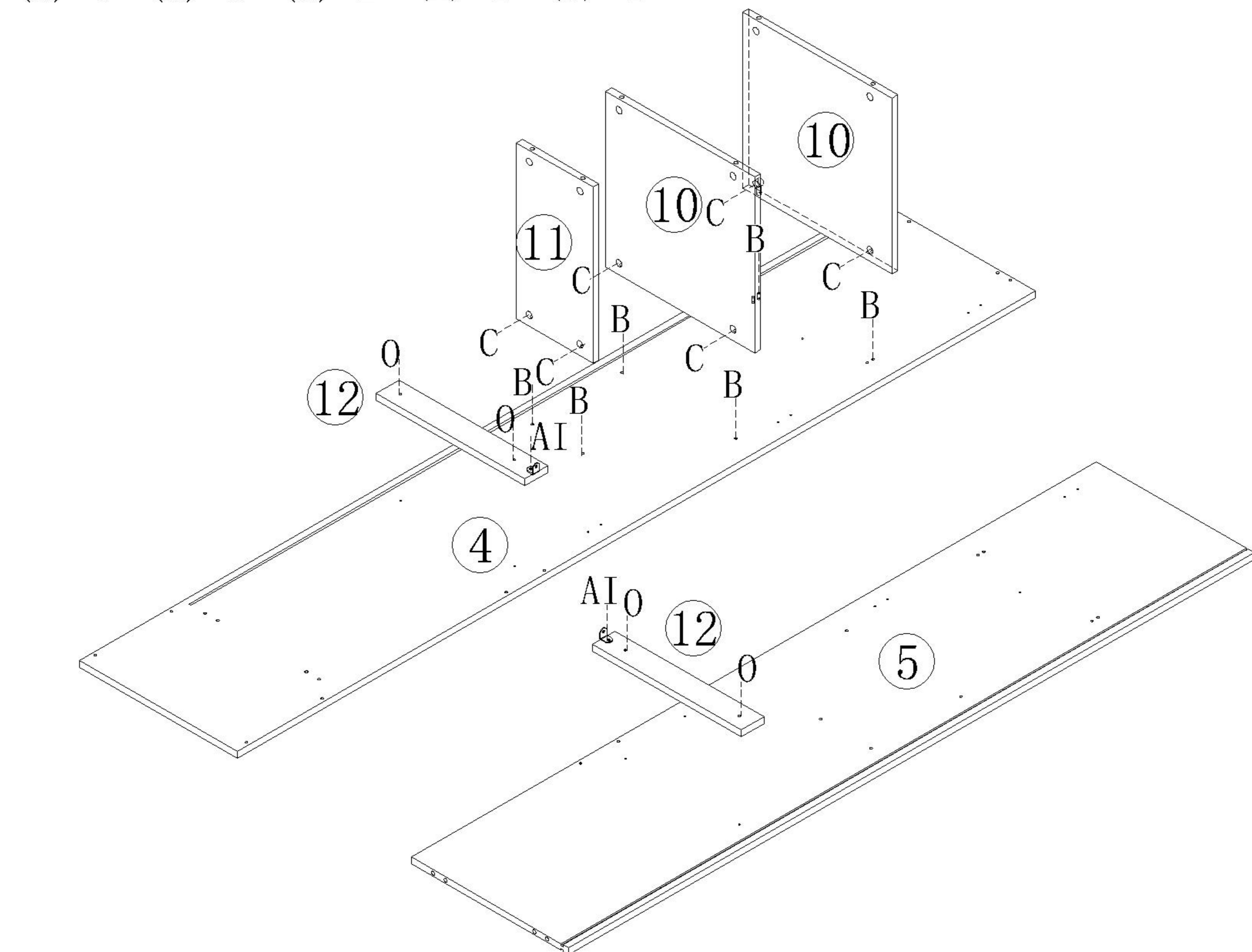


二合一
two-in-one

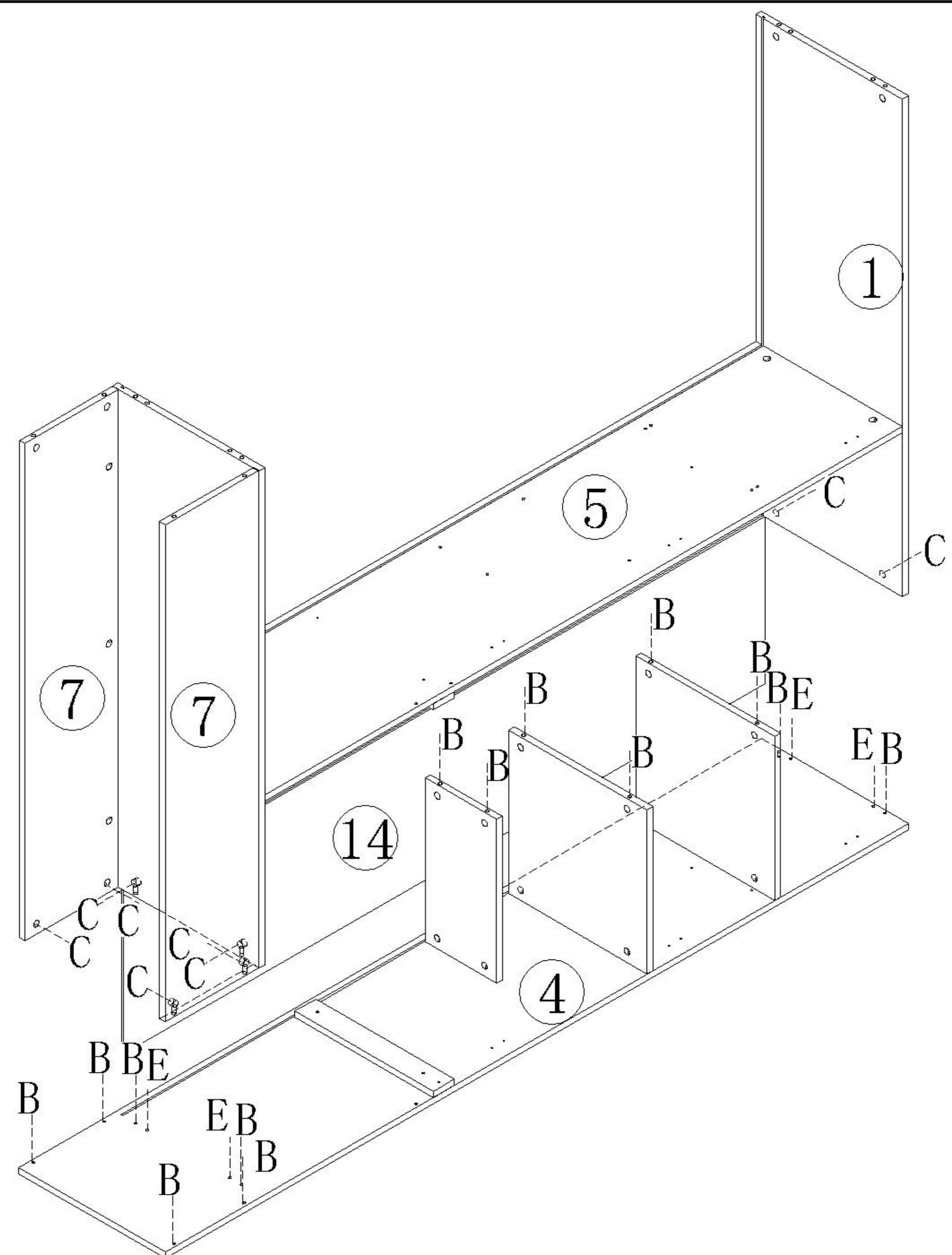


背板扣
Back Plate Buckle-White

(B)*6 (C)*6 (I)*2 (A)*2 (O)*4

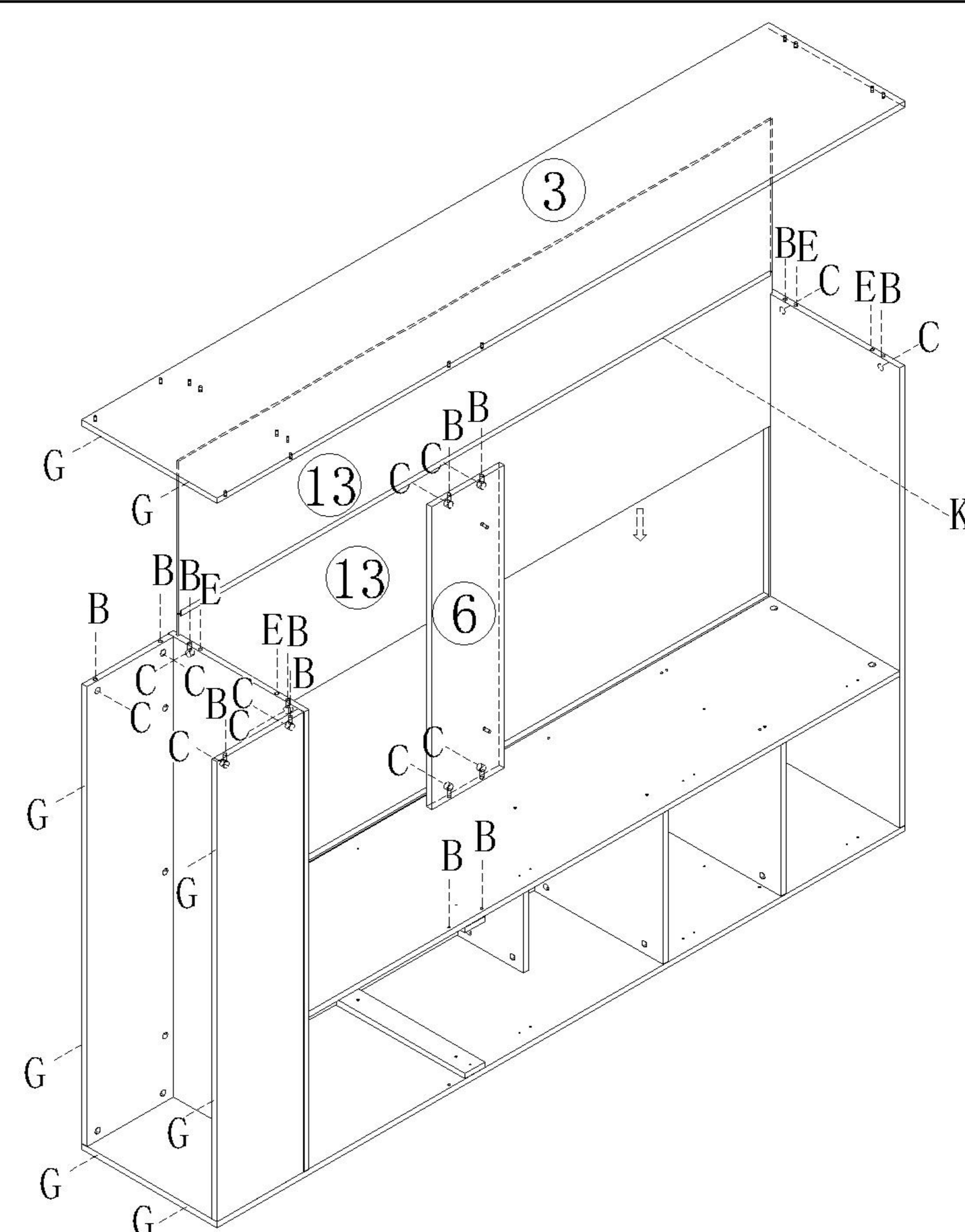


(B)*14
(C)*14
(E)*4



3

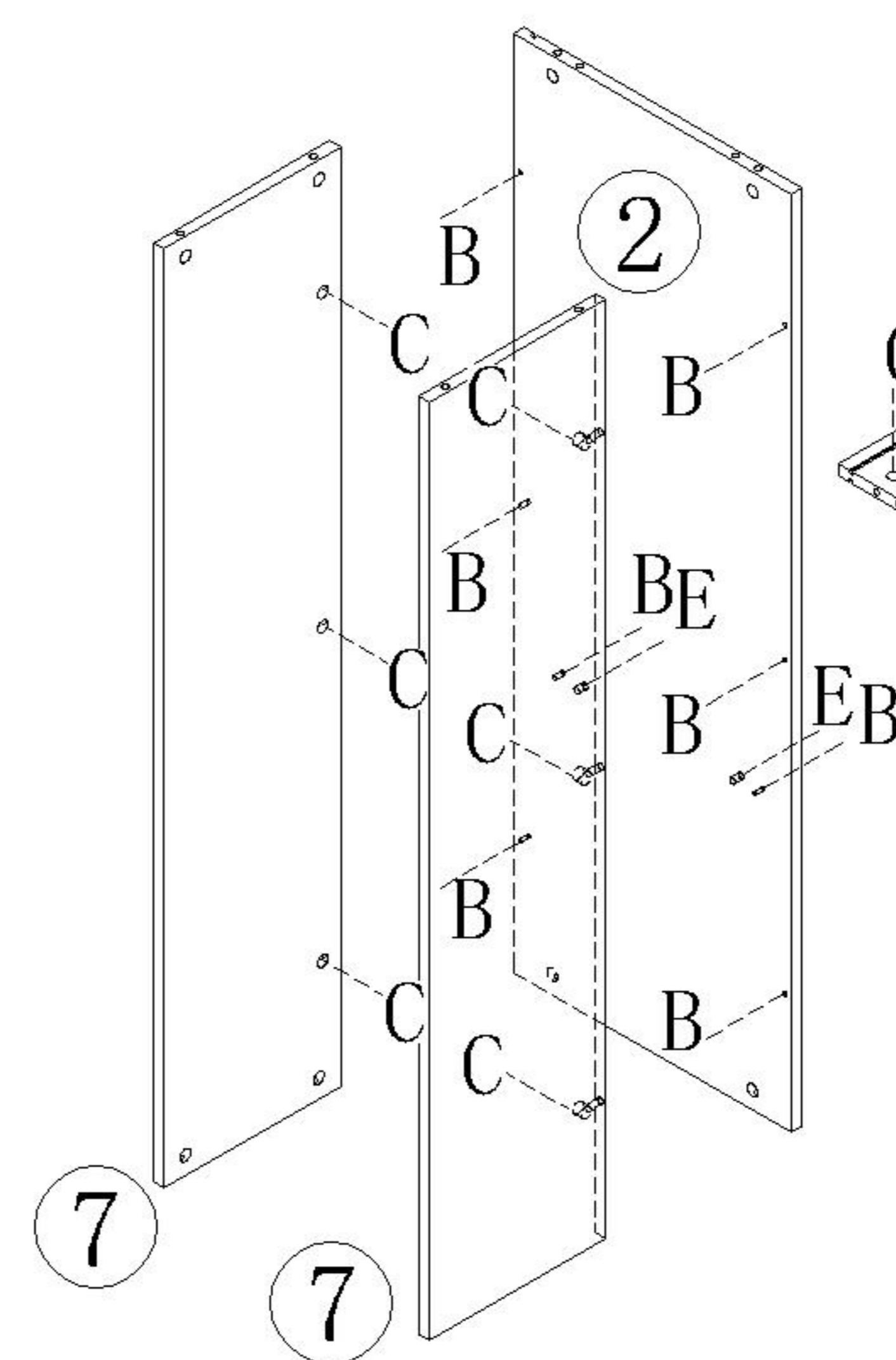
(B)*12
(C)*12
(E)*4
(K)*1
(G)*8



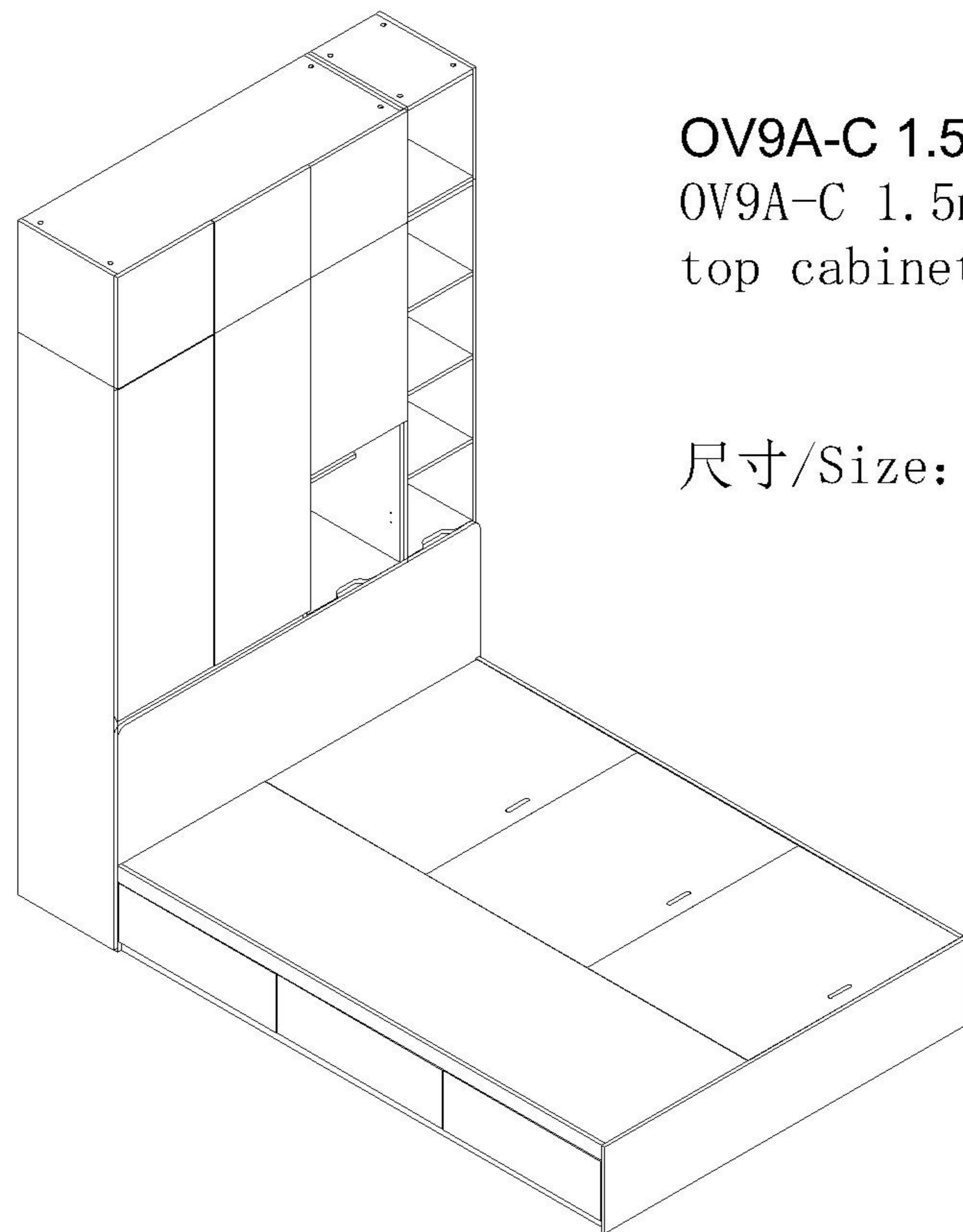
4

1

(B)*10
(C)*10
(E)*4



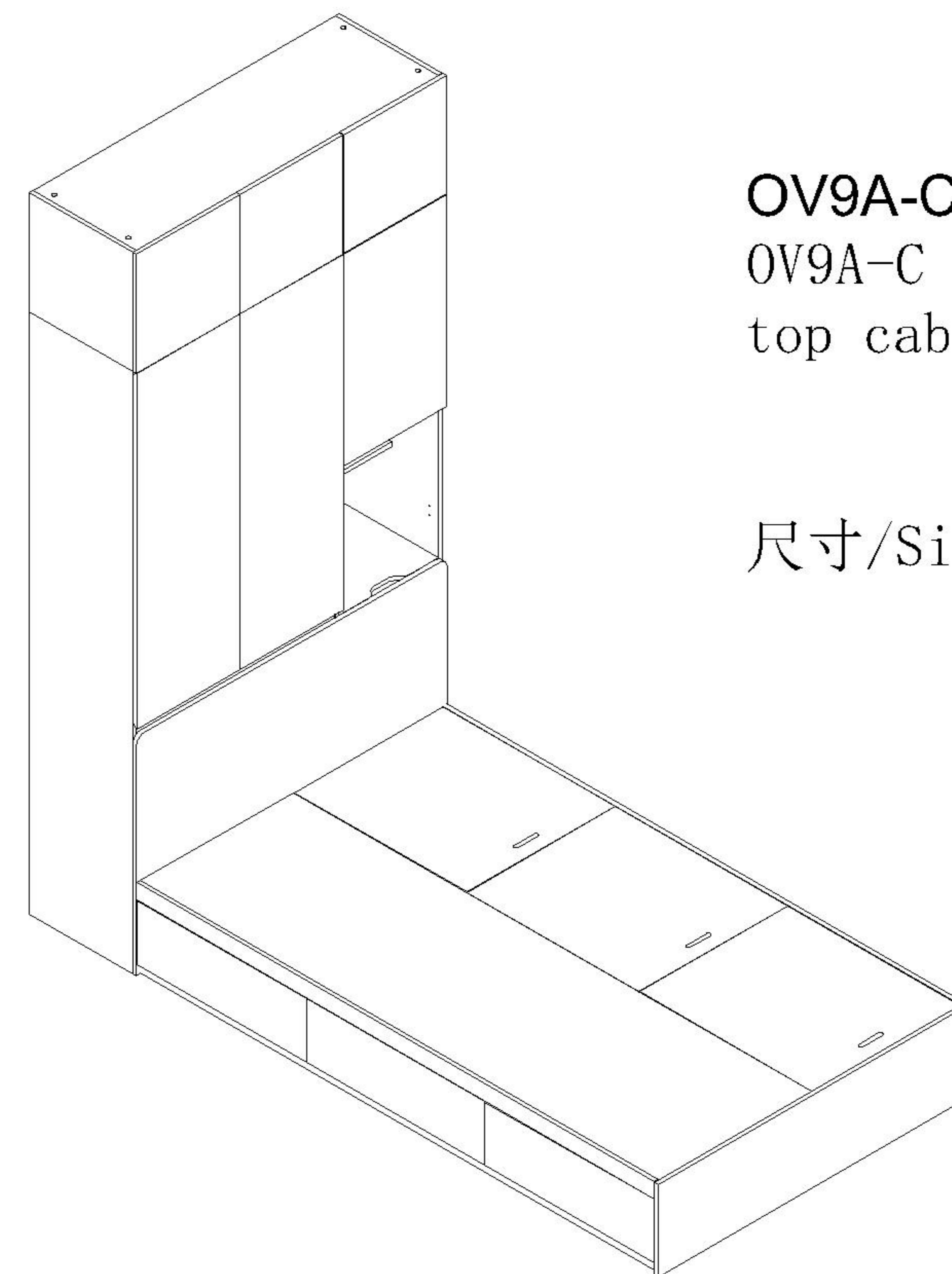
2



OV9A-C 1.5米组合+顶柜
OV9A-C 1.5m combination +
top cabinet

尺寸/Size: 2428*1500*2416MM

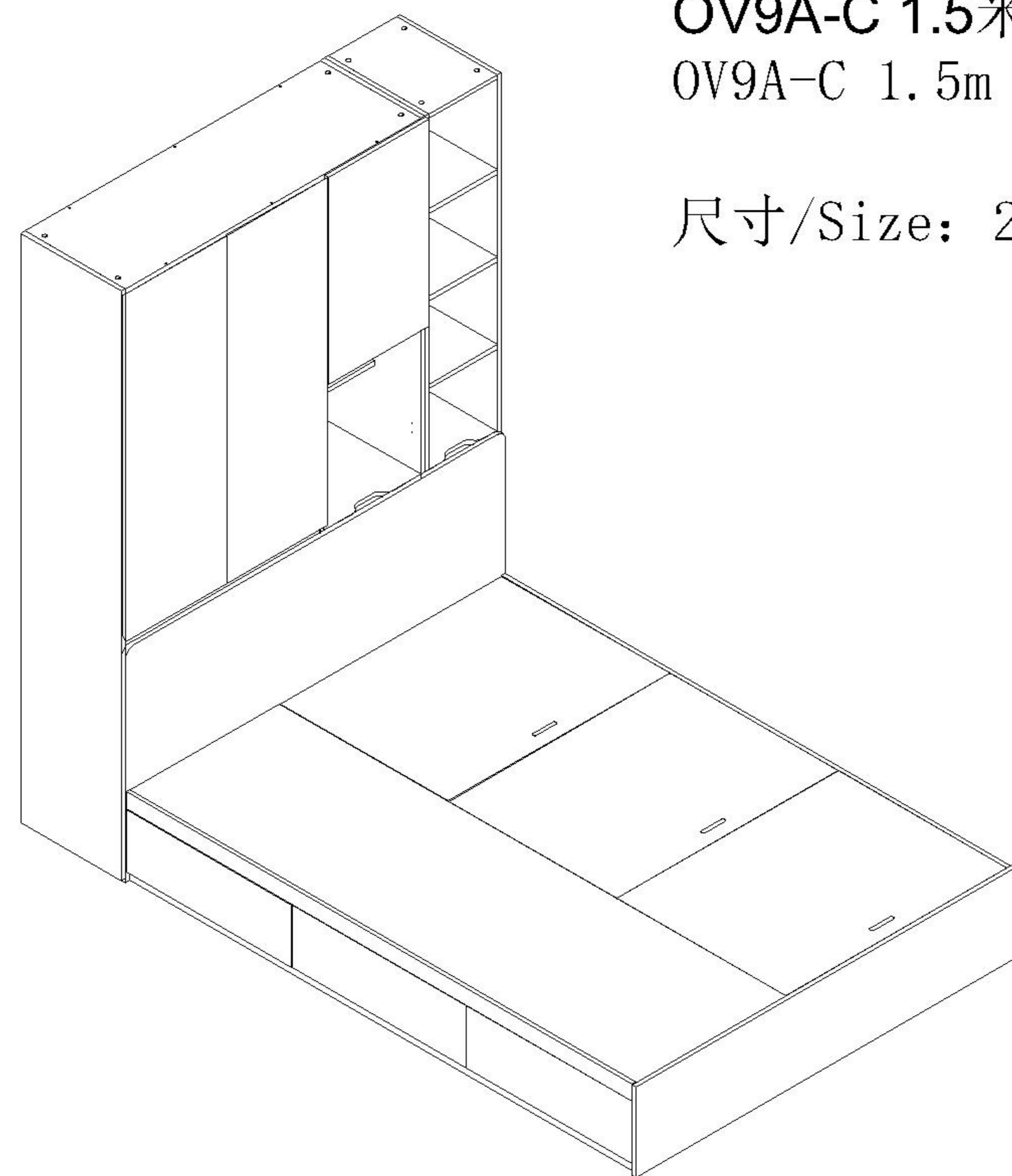
9



OV9A-C 1.2米组合+顶柜
OV9A-C 1.2m combination +
top cabinet

尺寸/Size: 2428*1200*2416MM

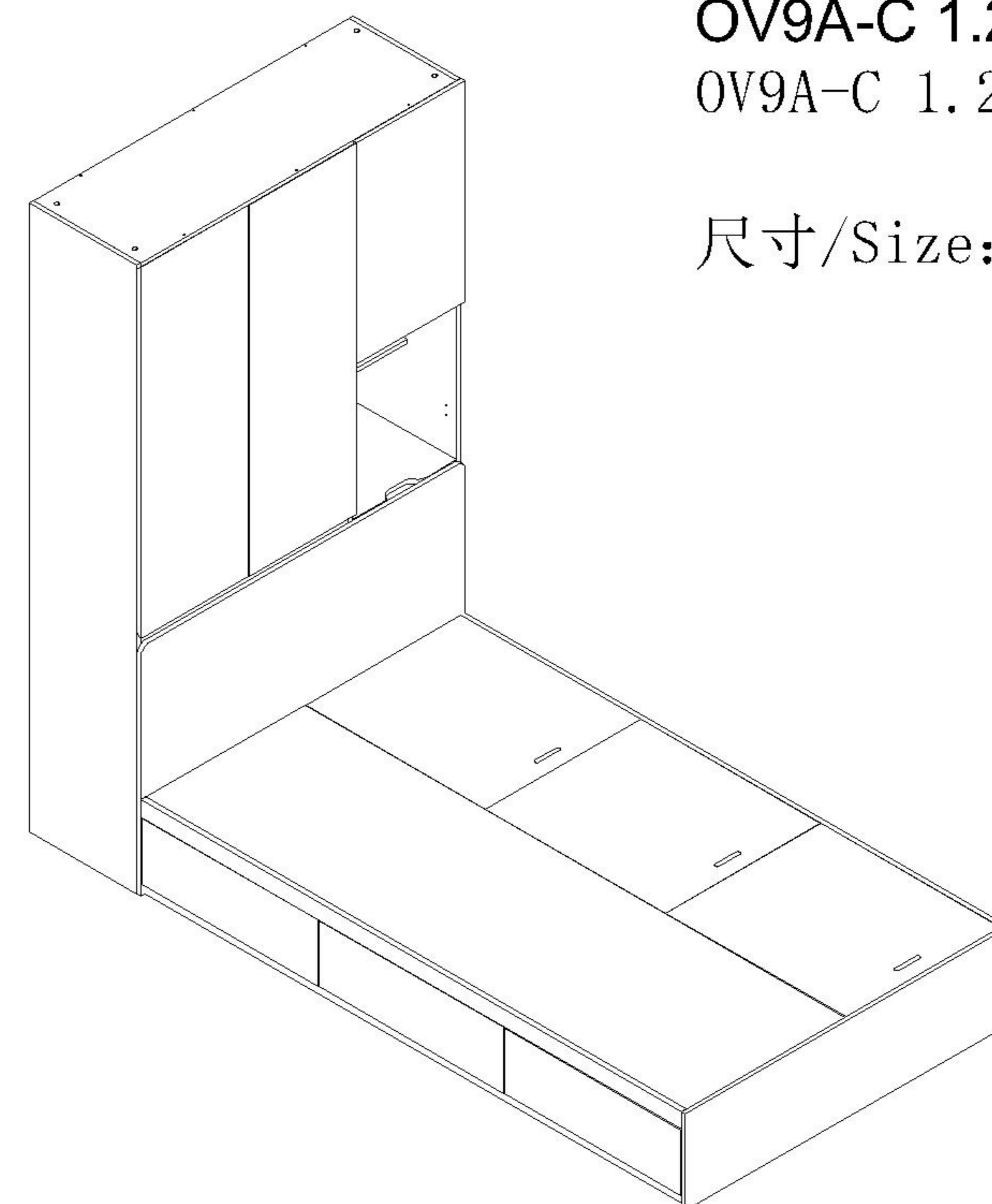
10



OV9A-C 1.5米组合
OV9A-C 1.5m combination

尺寸/Size: 2428*1500*2018MM

11

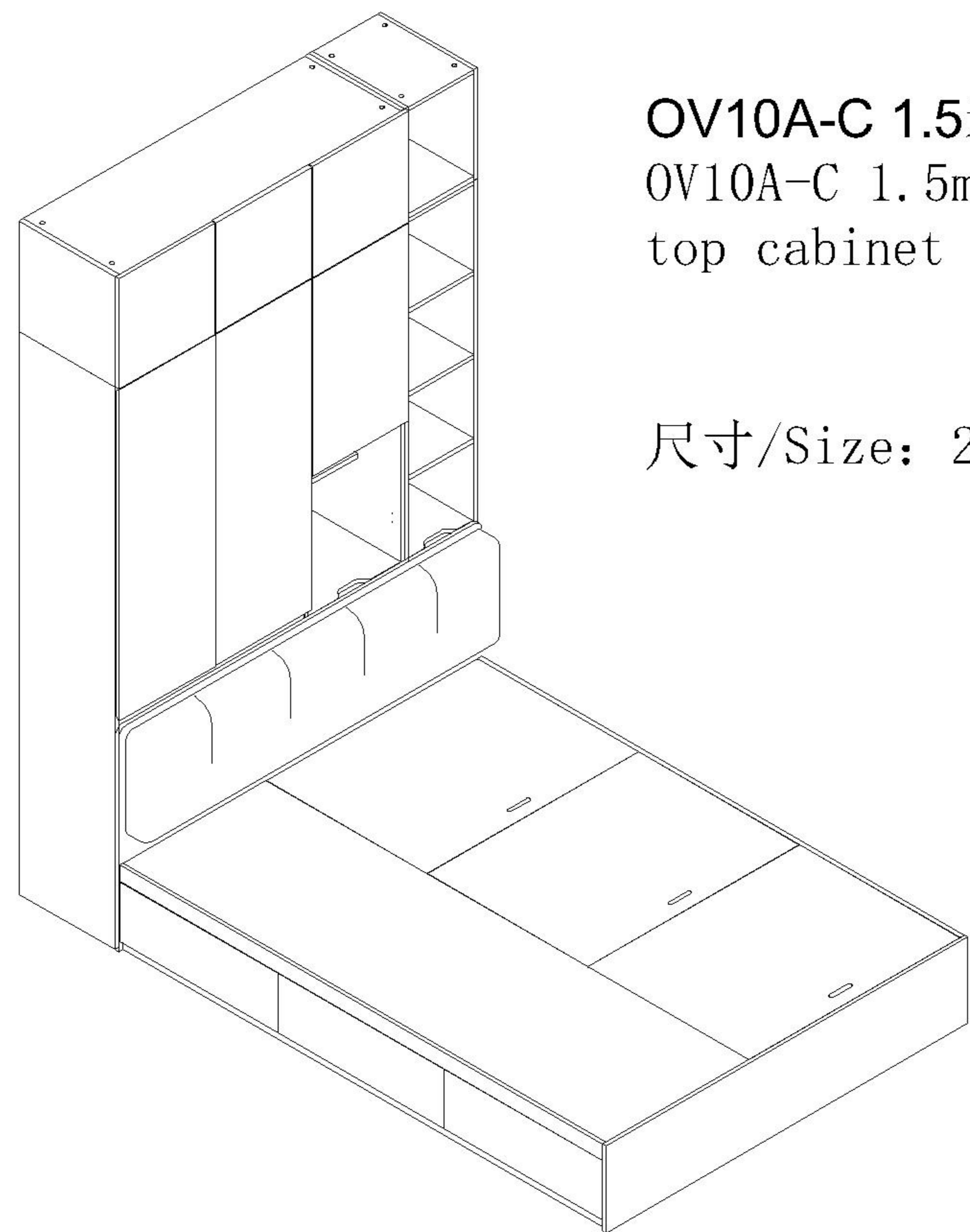


OV9A-C 1.2米组合
OV9A-C 1.2m combination

尺寸/Size: 2428*1200*2018MM

12

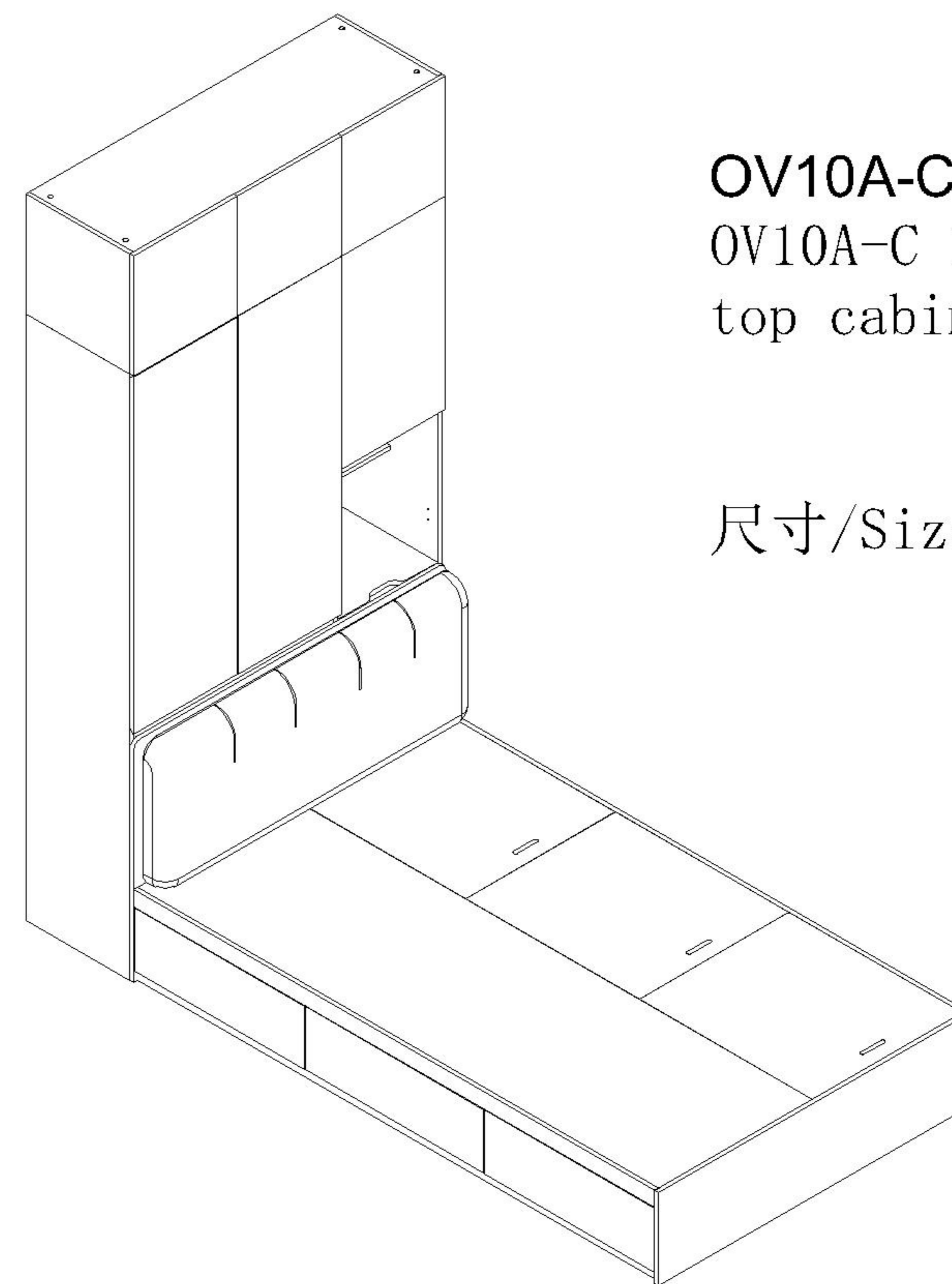
13



OV10A-C 1.5米组合+顶柜
OV10A-C 1.5m combination +
top cabinet

尺寸/Size: 2428*1500*2416MM

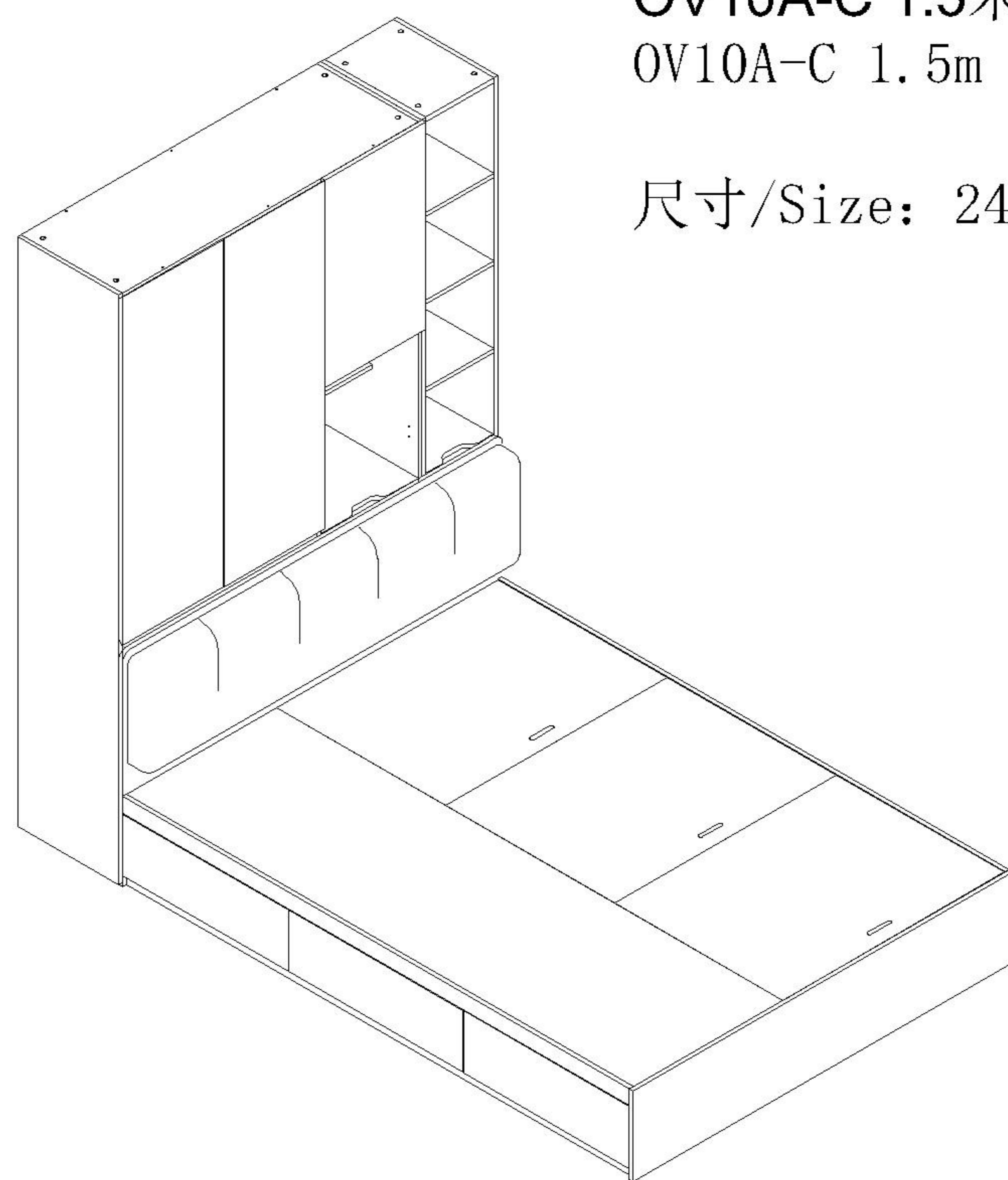
14



OV10A-C 1.2米组合+顶柜
OV10A-C 1.2m combination +
top cabinet

尺寸/Size: 2428*1200*2416MM

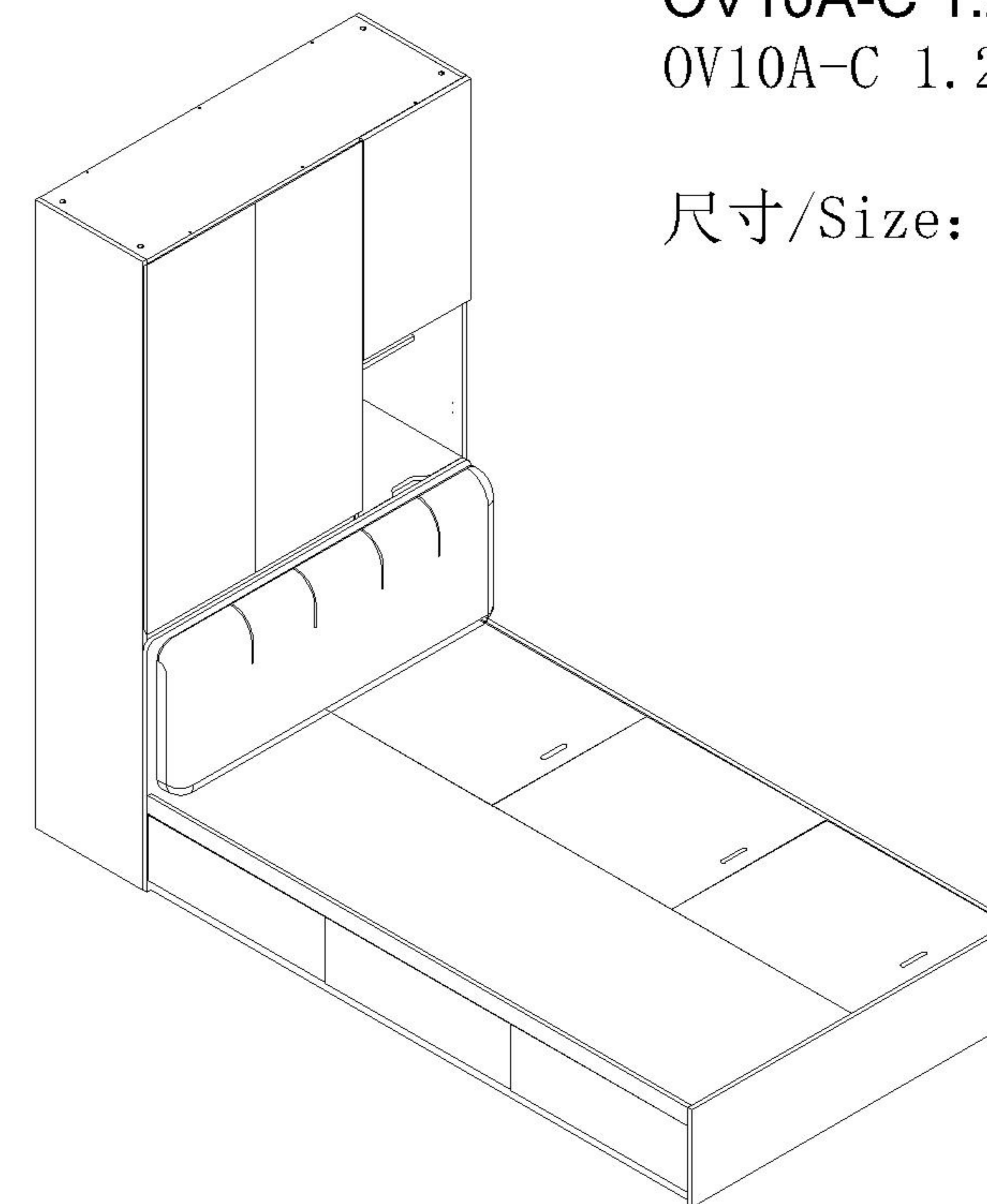
15



OV10A-C 1.5米组合
OV10A-C 1.5m combination

尺寸/Size: 2428*1500*2018MM

16



OV10A-C 1.2米组合
OV10A-C 1.2m combination

尺寸/Size: 2428*1200*2018MM