

LINSY 林氏家居

五金表/Hardware list

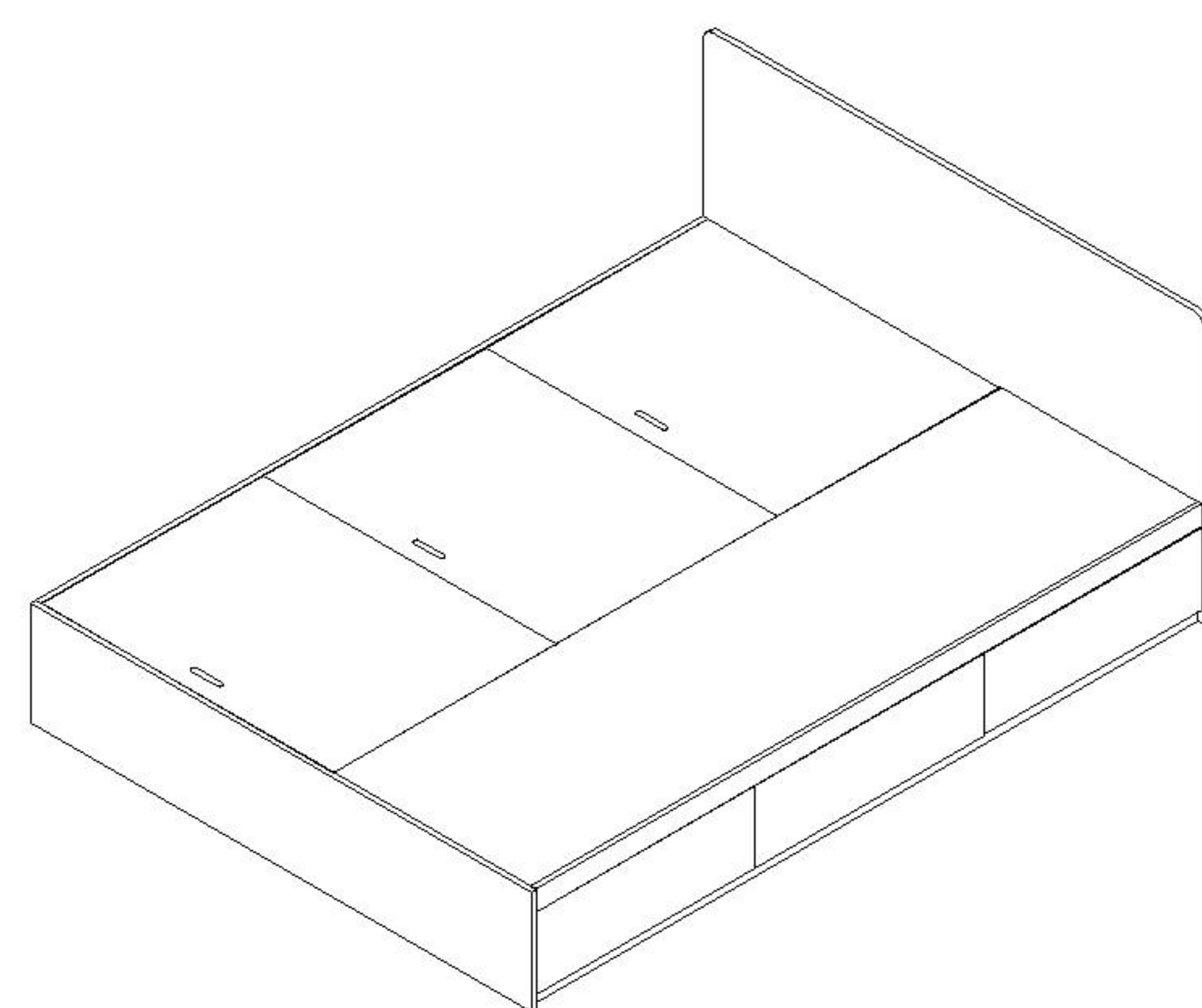
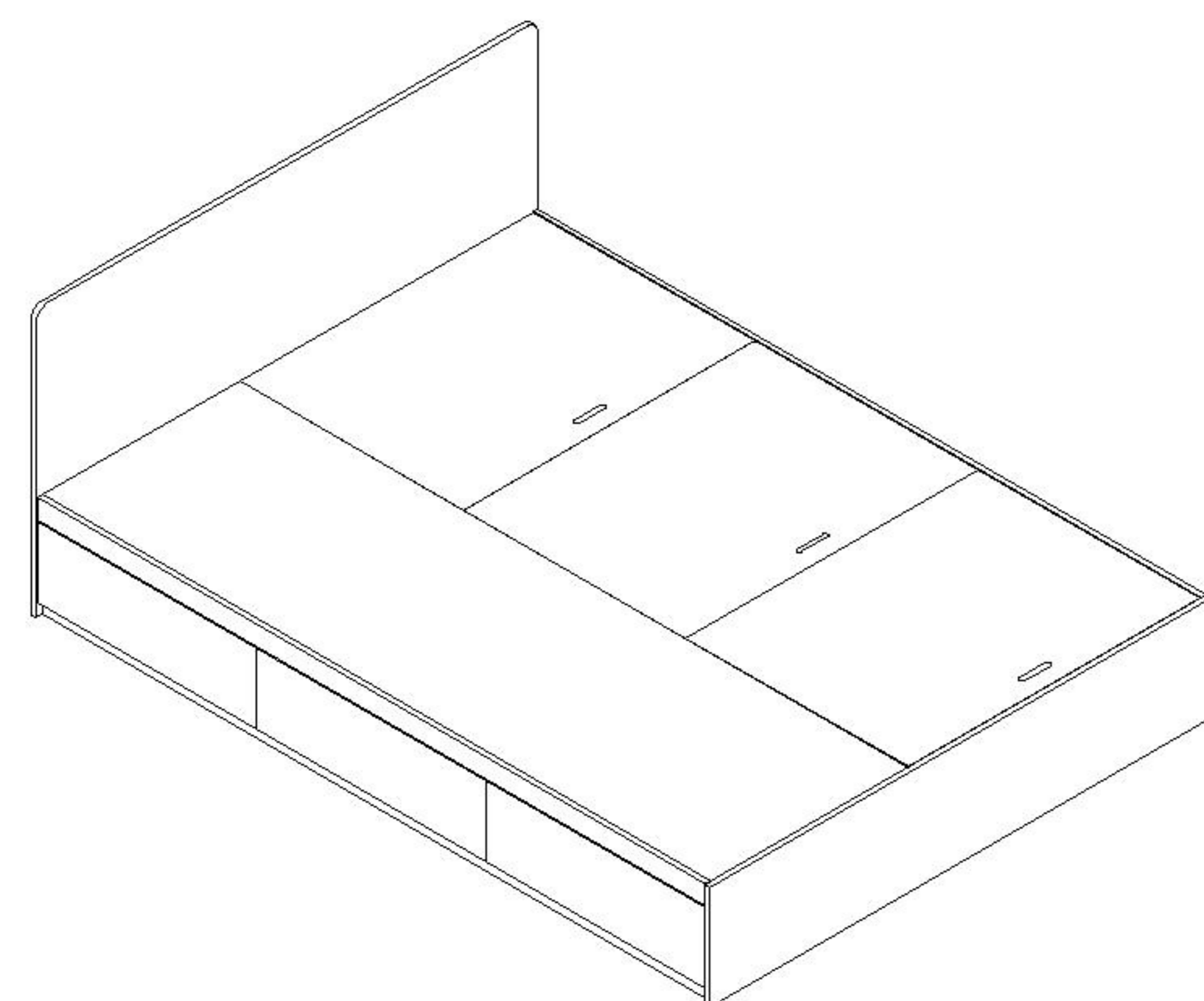
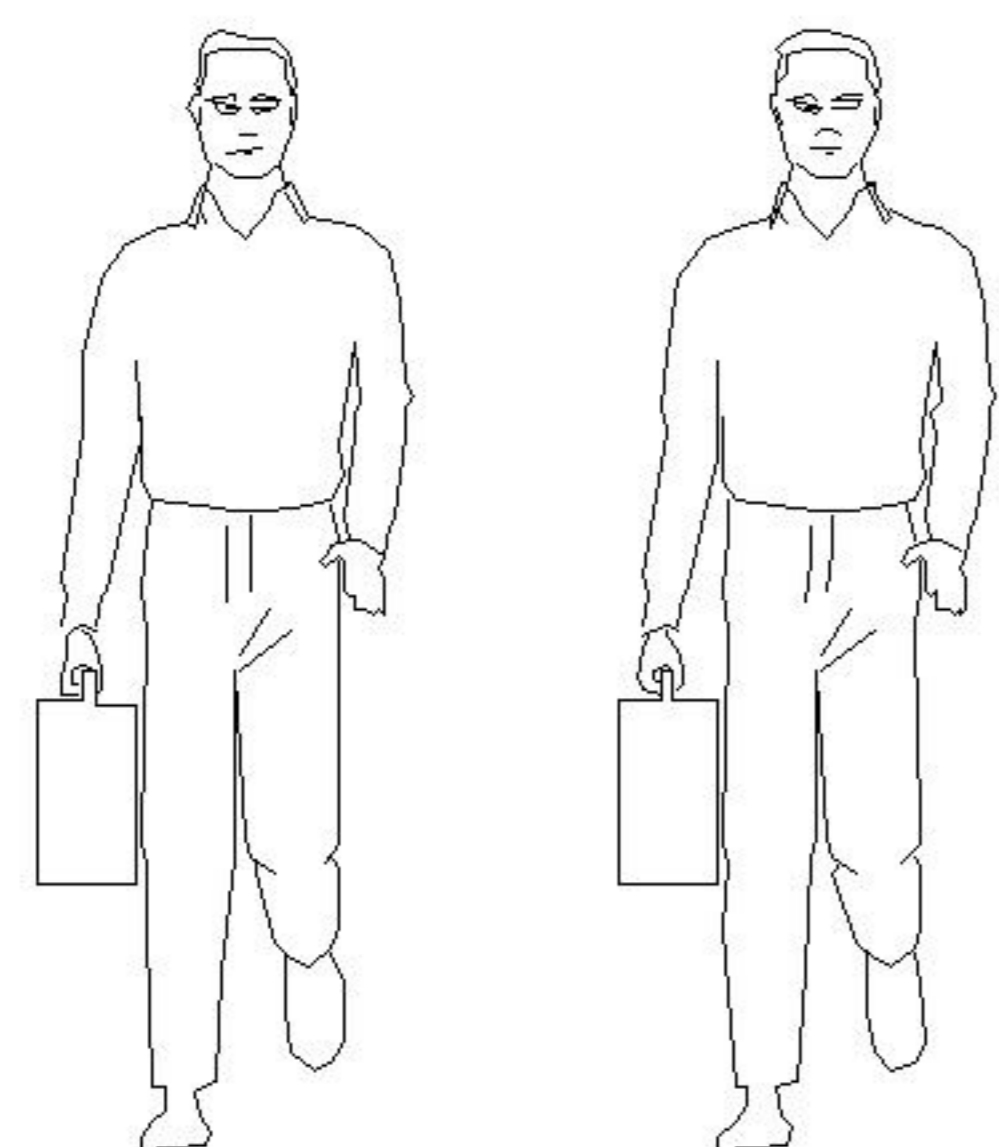
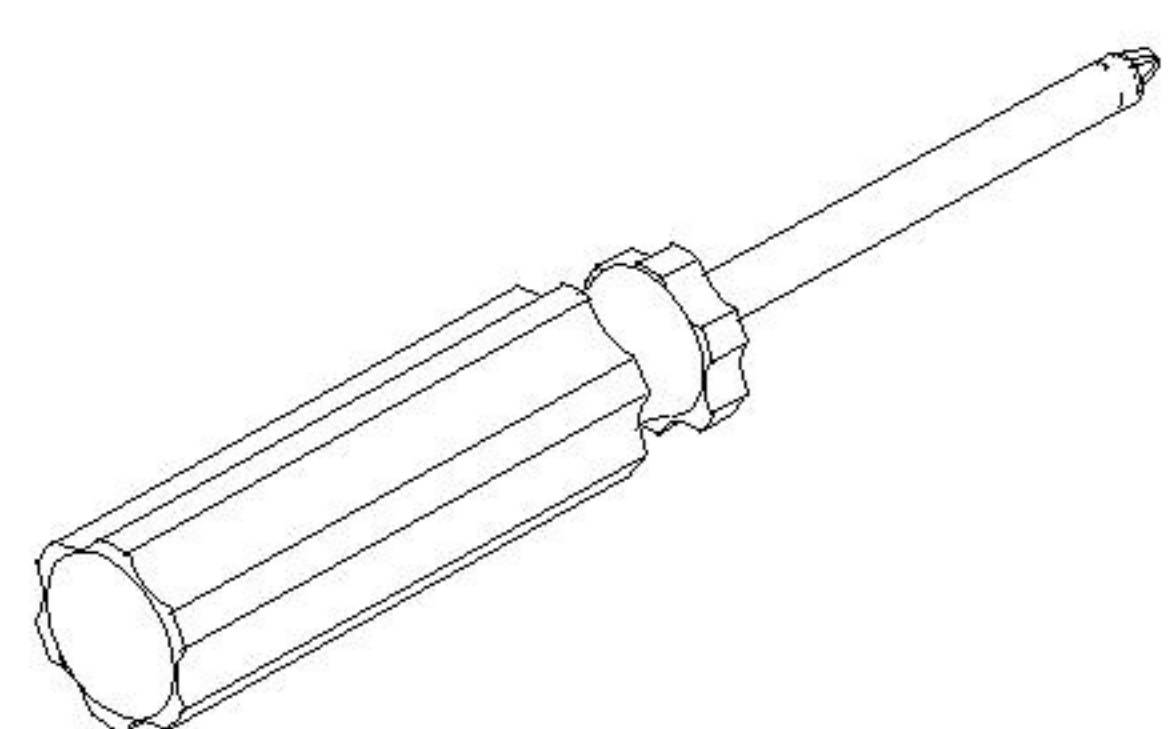
部件表/Parts List

安装示意图/Assembly Instruction

产品名称 Model NO. OV8A-C 1.5m 床身

产品规格 Specification 2000*1500*313 mm

安装工具 Tool 安装人数 Installer



温馨提示: 床身可左右互换安装, 上图为效果展示
 Tips: The bed can be interchangeable installation, the above is the effect display

(A)* 28 脚垫-灰色 Footrest - Grey	(B)* 3 拉手 Handle	(C)* 21 木榫Ø8x30mm wood tenon	(D)* 46 二合一螺杆 2-in-1-screw
(E)* 46 大三合一锁饼 Three-in-one large lock	(F)* 42 自攻螺丝M3.5x12mm Self-tapping screw	(G)* 19 塑料螺母 Plastic Nut	(H)* 19 自攻螺丝M4x40mm Self-tapping screw
(I)* 19 小二合一杆 small two in one rod	(J)* 19 小三合一锁饼 small three in one lock	(K)* 2 L型角码14x21x1.5 L shaped corner code	(L)* 46 自攻螺丝M4x25mm Self tapping screw
(M)* 6 拉手螺丝-M4x14mm pulling screw	(N)* 6 塑胶条1-627mm Bed bottom plate plastic strip	(O)* 6 塑胶条2-872mm Bed bottom plate plastic strip	(P)* 3 三节滚珠导轨-14" three-section ball rail

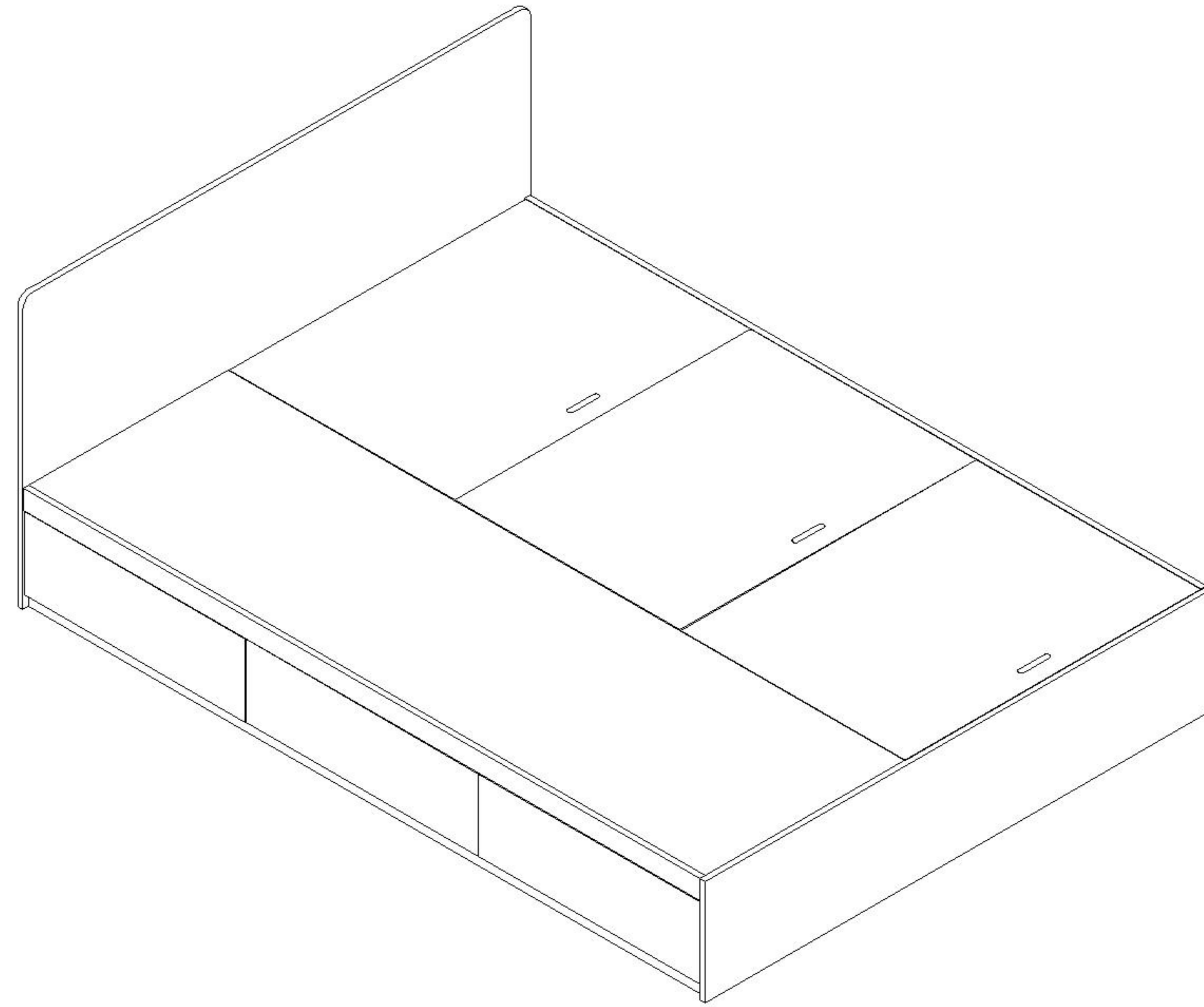
注: 该床身可搭配多款床头, 请根据购买的产品型号进行安装
 Note: The bed can be equipped with multiple headboards, please install according to the purchased product model

编号NO.	名称Name	规格 (mm) Specification	数量QTY	材质Material
1	床侧Bedside	2000*310*15	1	人造板 WBP
2	下拉条Bottom brace	2000*58*15	1	人造板 WBP
3	上拉条Top brace	2000*58*15	1	人造板 WBP
4	中侧板Middle side board	2000*294*15	1	人造板 WBP
5	内侧板 Medial plate	576*294*15	2	人造板 WBP
6	隔板Clapboard	876*294*15	2	人造板 WBP
7	床板Bed board	2000*591*15	1	人造板 WBP
8	托条Supporting strip	560*58*15	2	人造板 WBP
9	小床板Small bed board	874*665*15	3	人造板 WBP
10	边抽屉面板 Side drawer panel	653*212*15	2	人造板 WBP
11	中抽屉面板Drawer's middle board	686*212*15	1	人造板 WBP
12	抽屉左侧板Drawer's side board (L)	395*142*12	3	人造板 WBP
13	抽屉右侧板Drawer's side board (R)	395*142*12	3	人造板 WBP
14	抽屉后板Drawer's Back board	607*142*12	3	人造板 WBP
15	抽屉底托条Drawer's bottom bracket	381*58*12	3	人造板 WBP
16	抽屉底板Drawer's Bottom board	617*391*5	3	人造板 WBP
17	底板Bottom board	866*647*5	3	人造板 WBP
18	托条1 Supporting strip 1	620*58*15	6	人造板 WBP
19	托条2 Supporting strip 2	840*58*15	4	人造板 WBP
OV9A-C 1.5米高床头 OV9A-C 1.5 m high headboard				
20	床头 Head bed	1500*798*15	1	人造板 WBP
21	床尾Bed tail	1500*310*15	1	人造板 WBP
OV10A-C 1.5米床头软包 OV10A-C 1.5m headboard soft bag				
22	床头软包Upholstered headboard	1500*390*90	1	软包Soft bag
OV8A-C 1.5米矮床头 OV8A-C 1.5m low bed head				
23	床头 Head bed	1500*310*15	2	人造板 WBP

OV8A-C 1.5m 床身

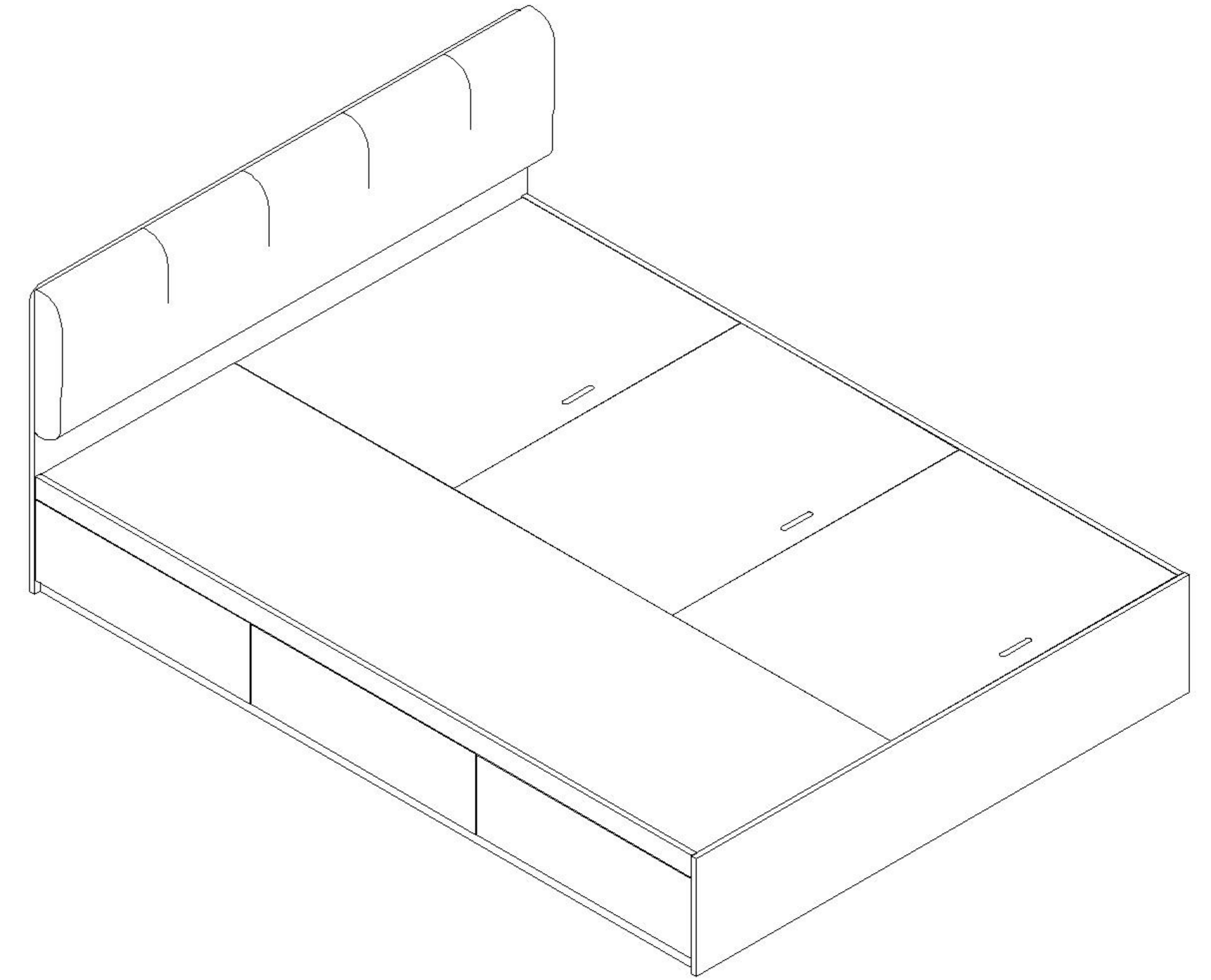
安装方法/
Installation method

OV9A-C 高床头款1.5米
OV9A-C has a 1.5m high headboard



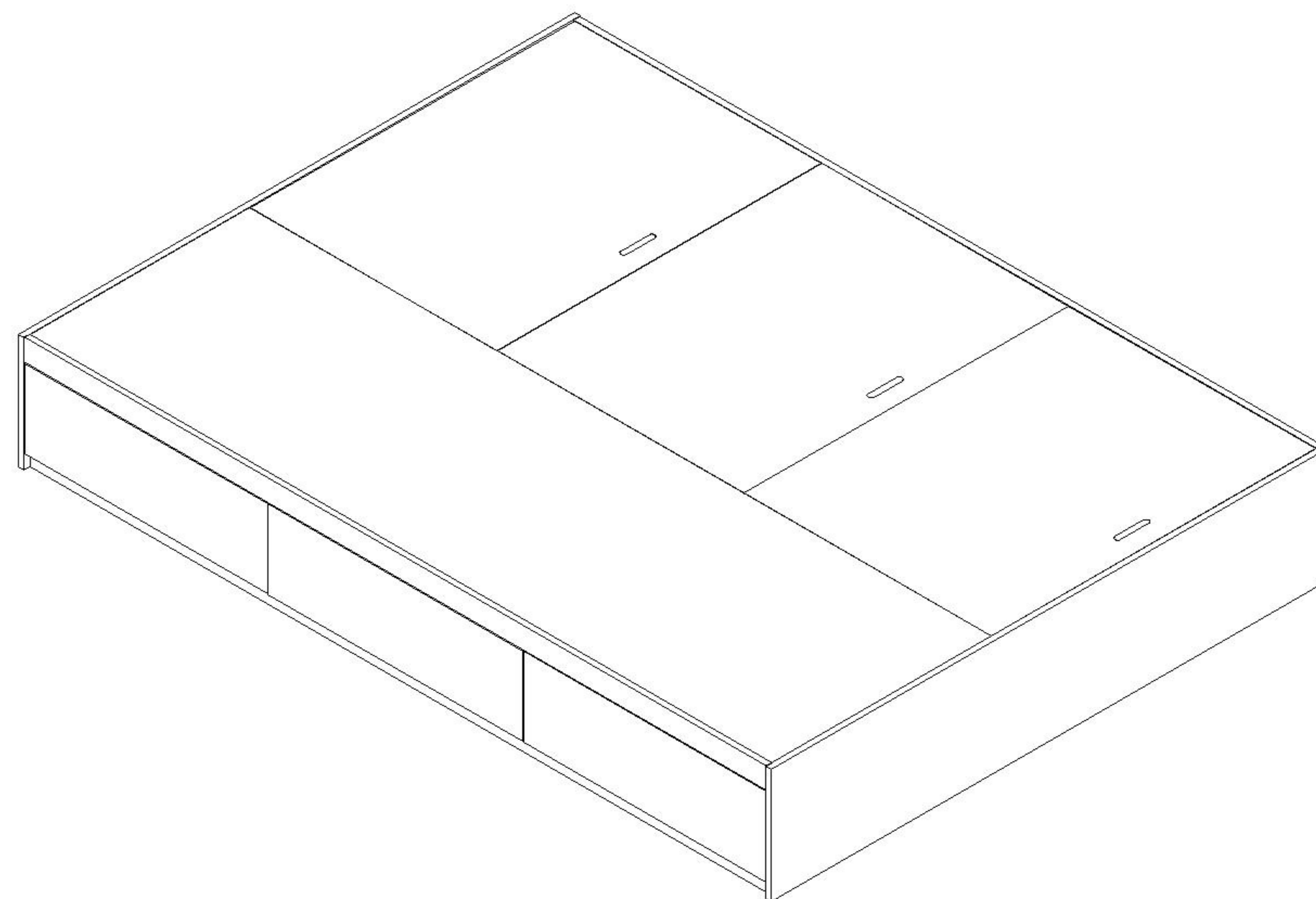
床垫厚度建议: 100mm
产品规格Specification: 2030*1500*801mm

OV10A-C 软包床头款1.5米
OV10A-C soft bag headboard 1.5m



床垫厚度建议: 100mm
产品规格Specification: 2030*1500*801mm

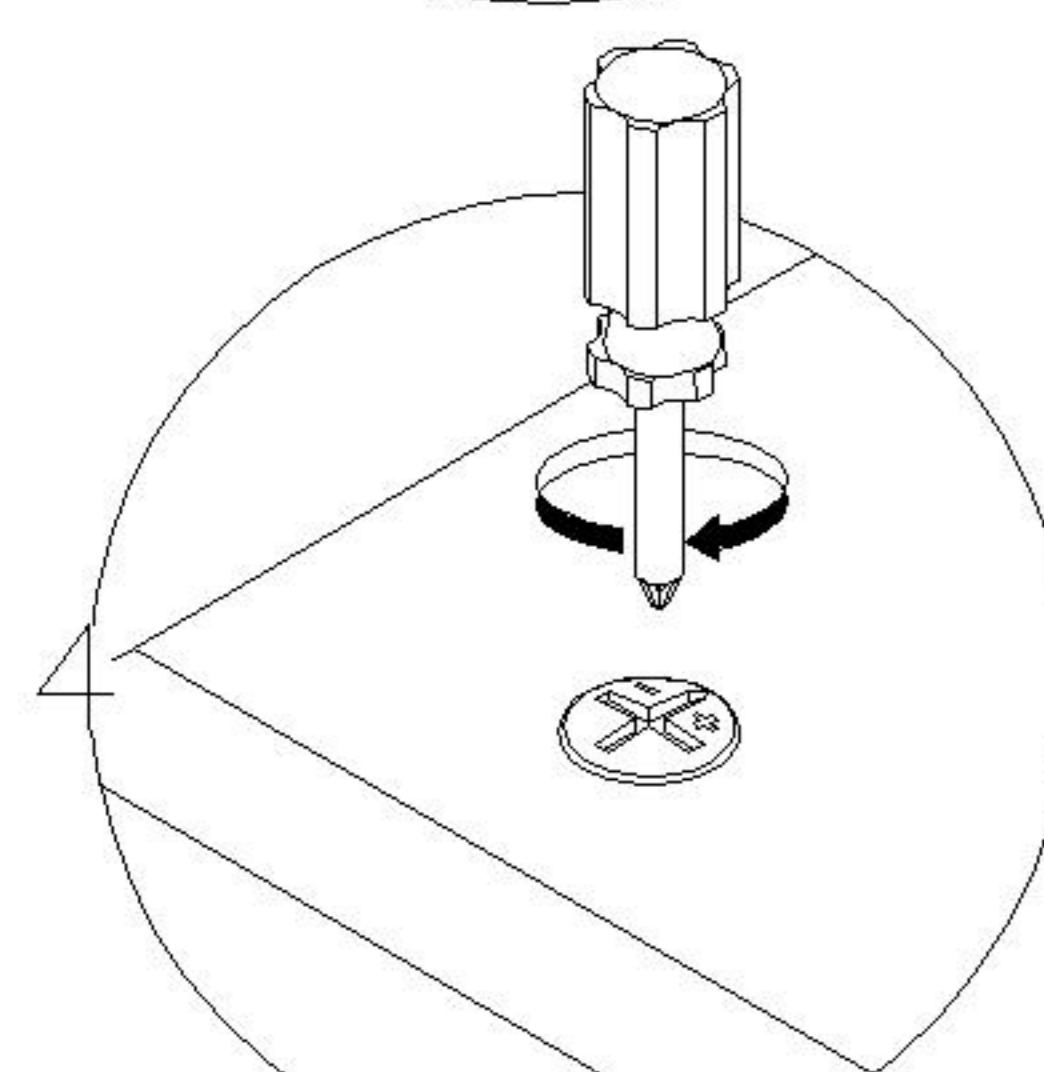
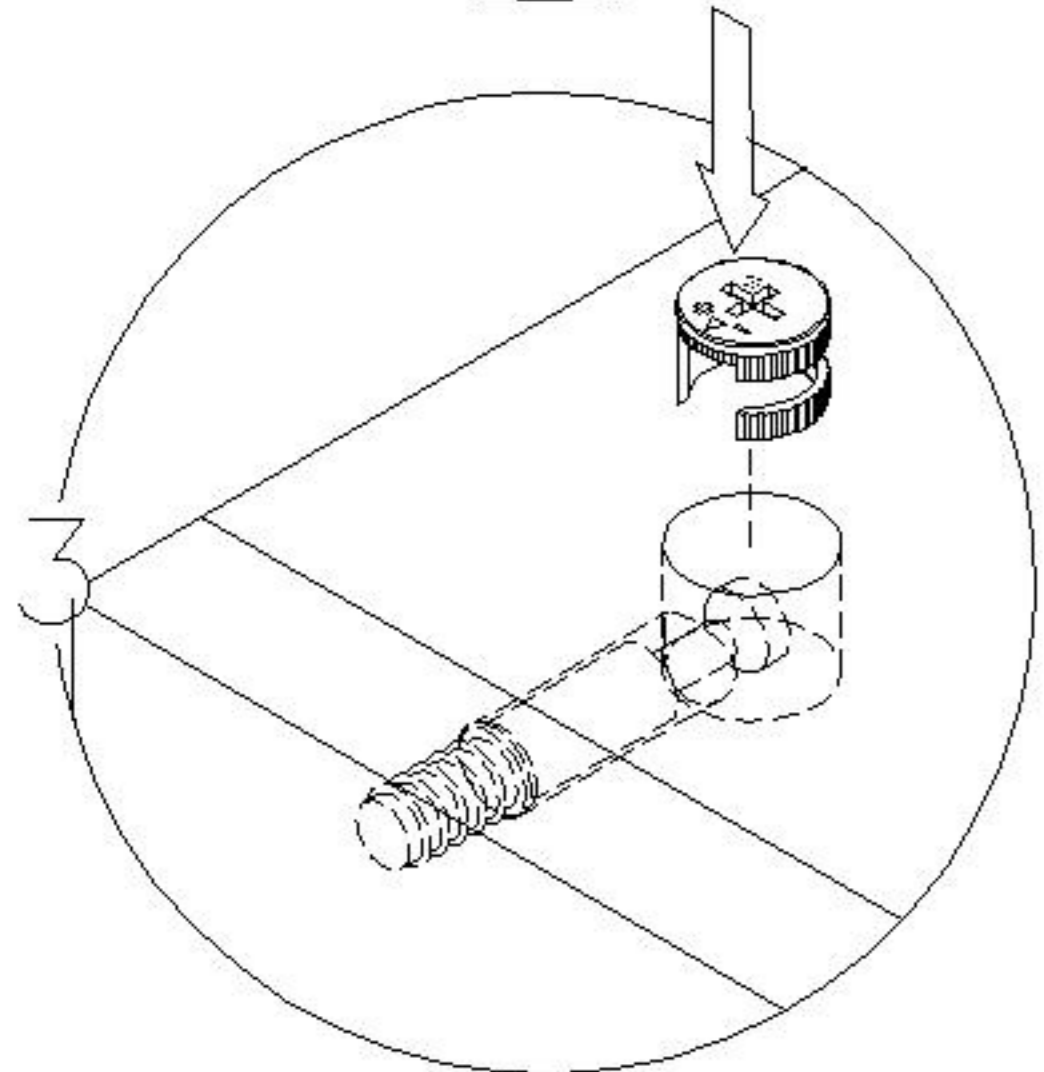
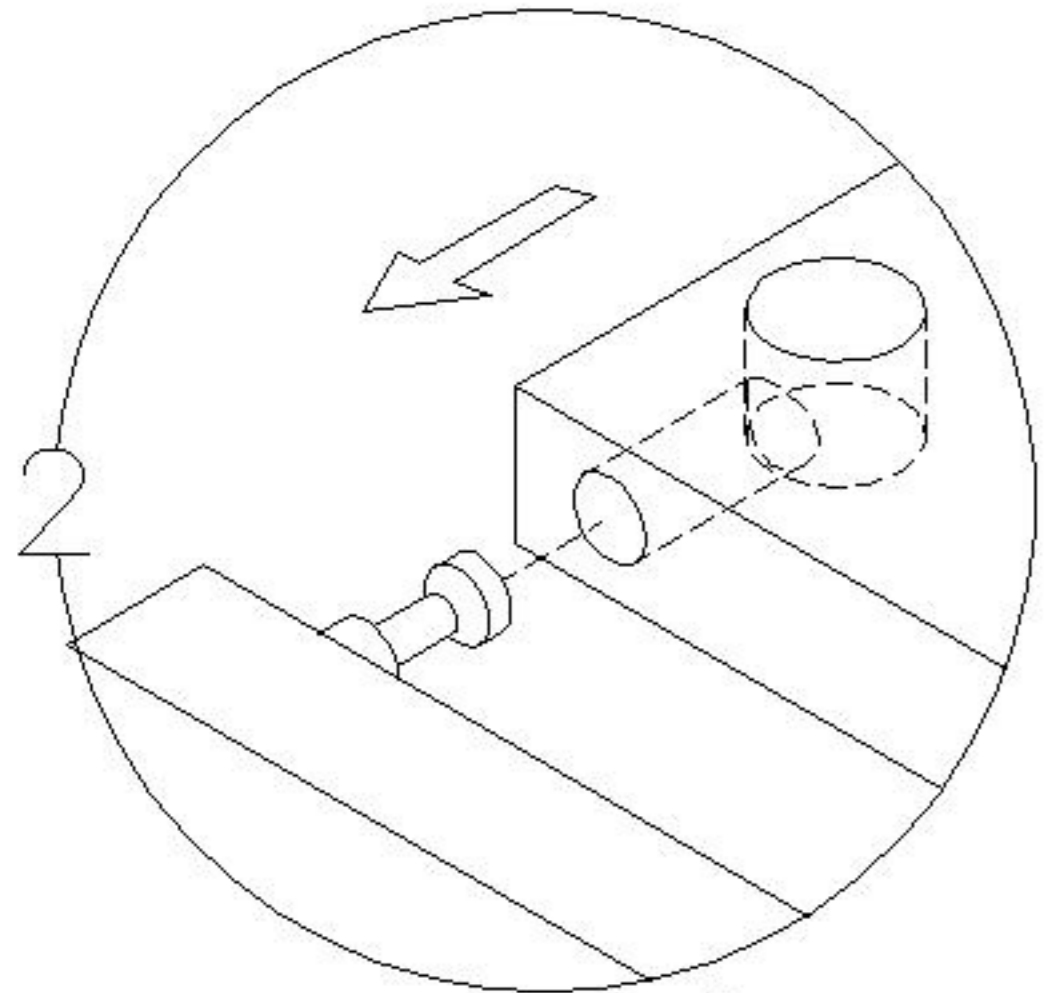
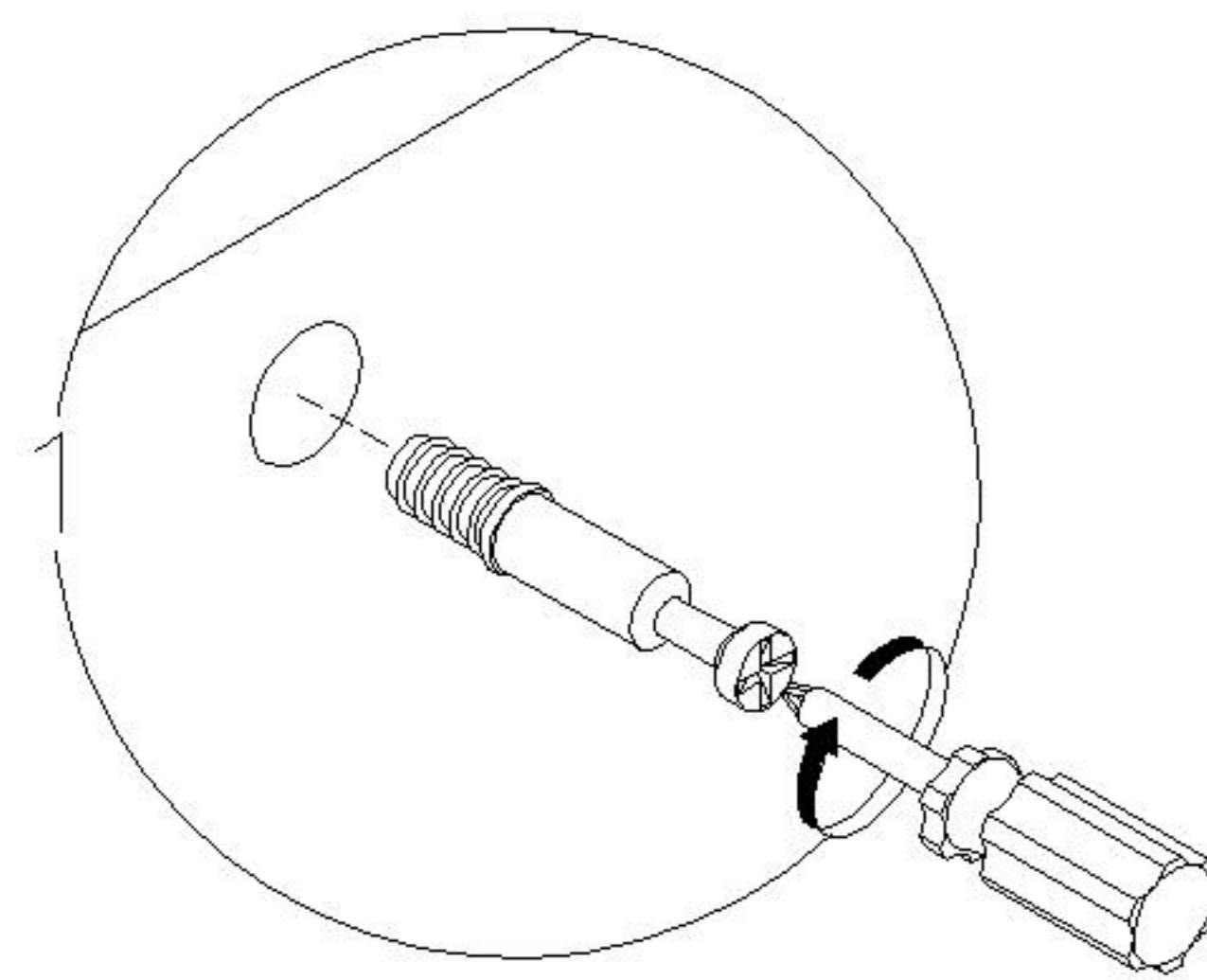
OV8A-C 矮床头款1.5米
OV8A-C low bed is 1.5m



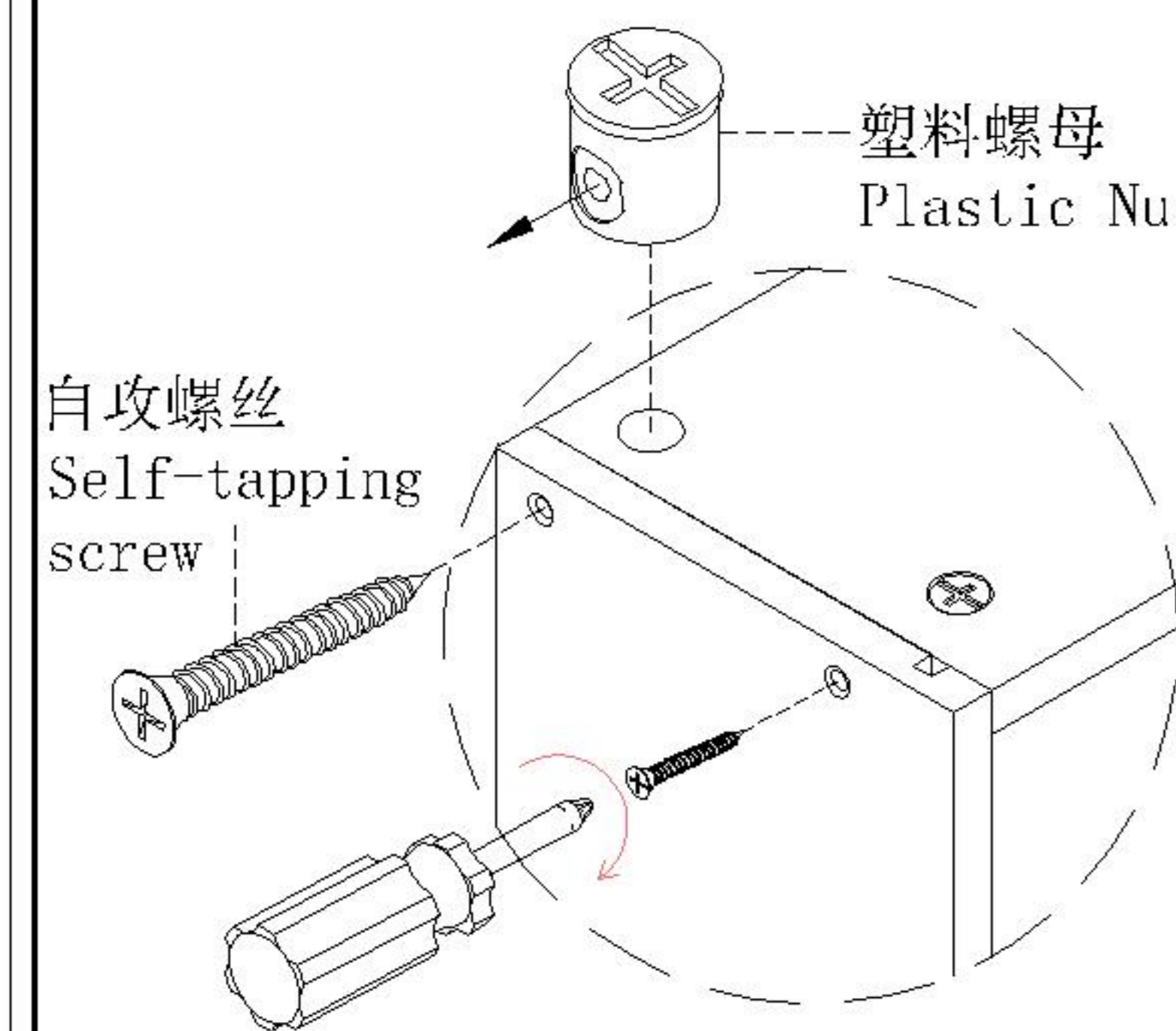
床垫厚度建议: 100mm
产品规格Specification: 2030*1500*313mm

OV8A-C 1.5m 床身

安装方法/
Installation method

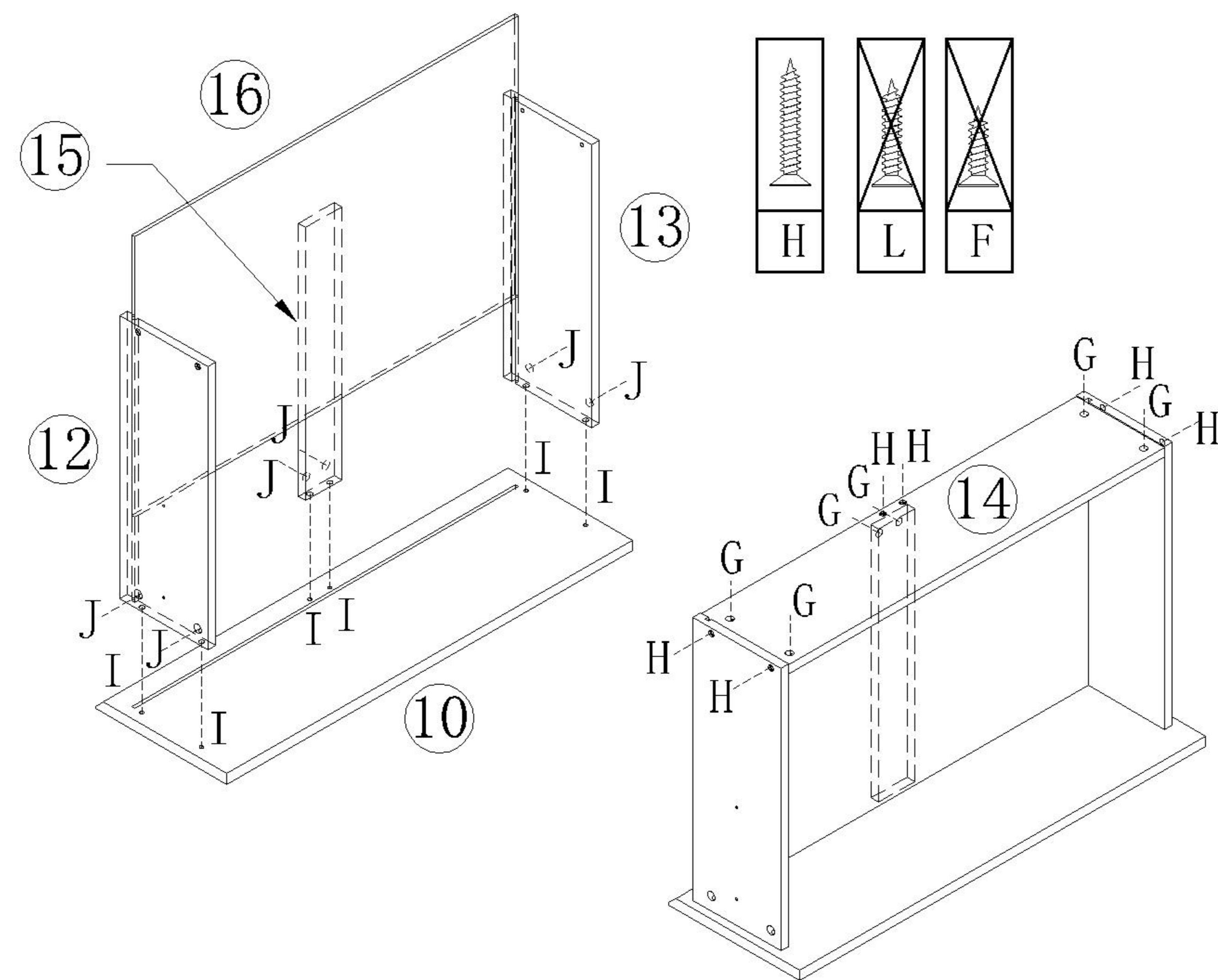


小二合一/two-in-one



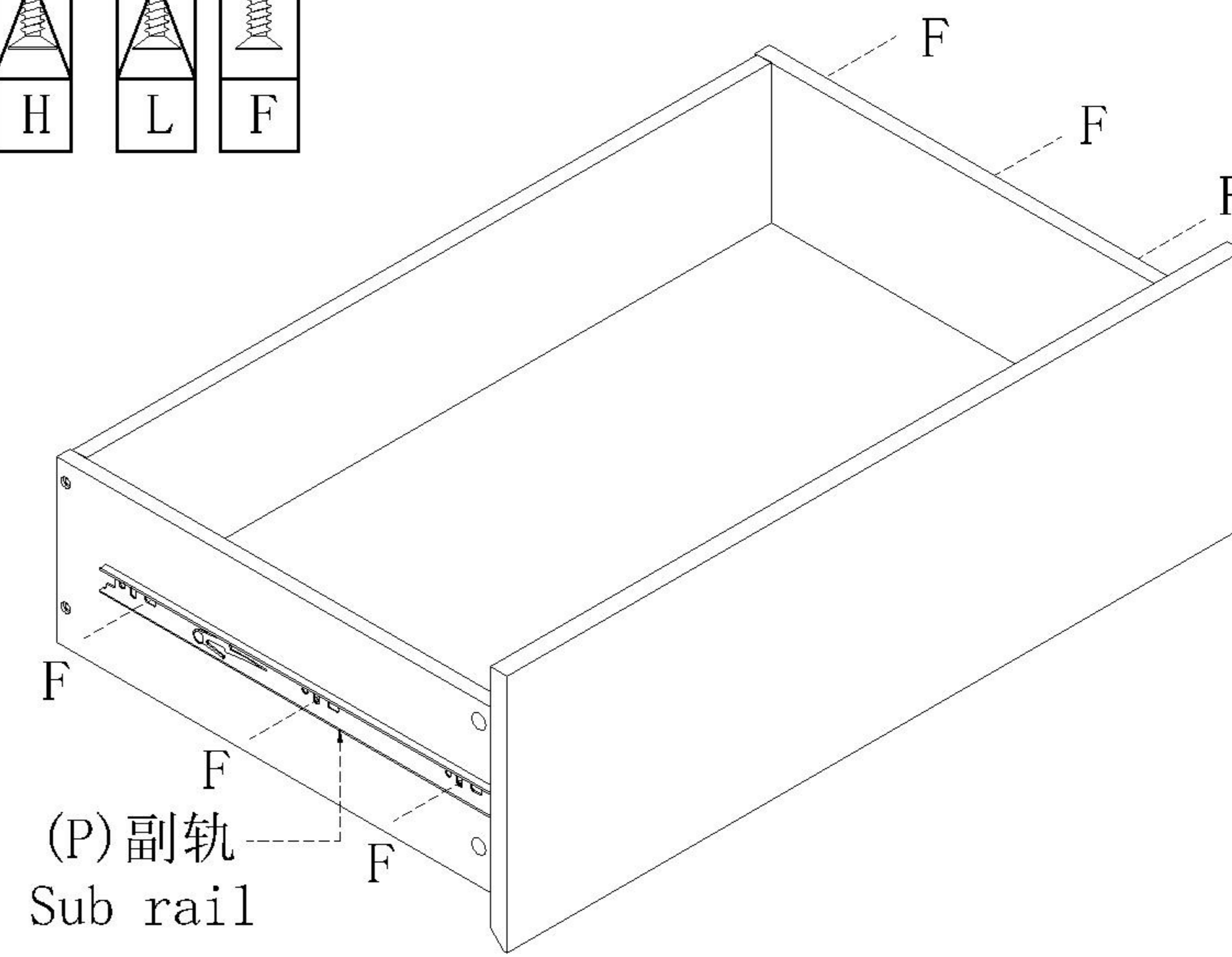
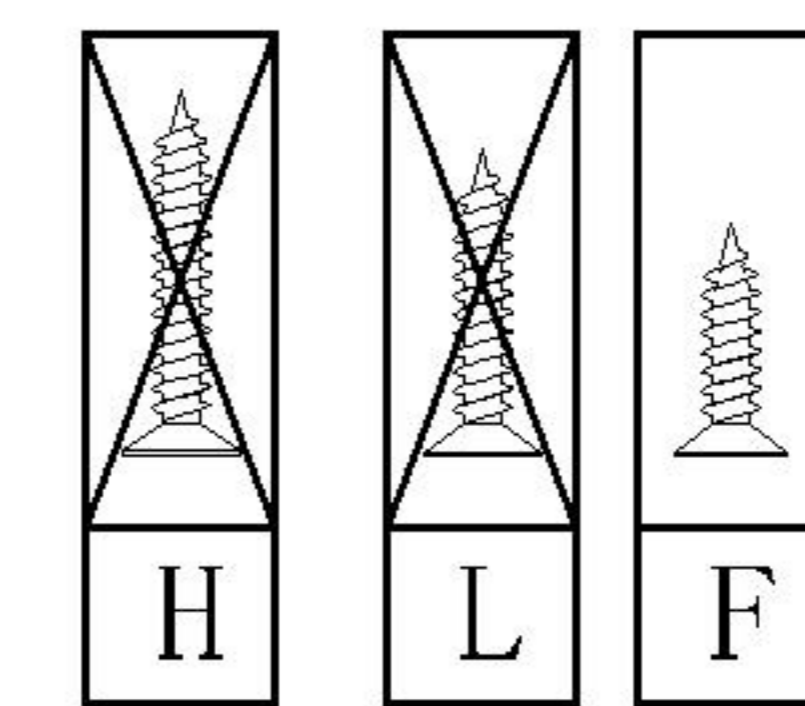
塑料螺母
Plastic Nut

- (G)*12
- (H)*12
- (I)*12
- (J)*12



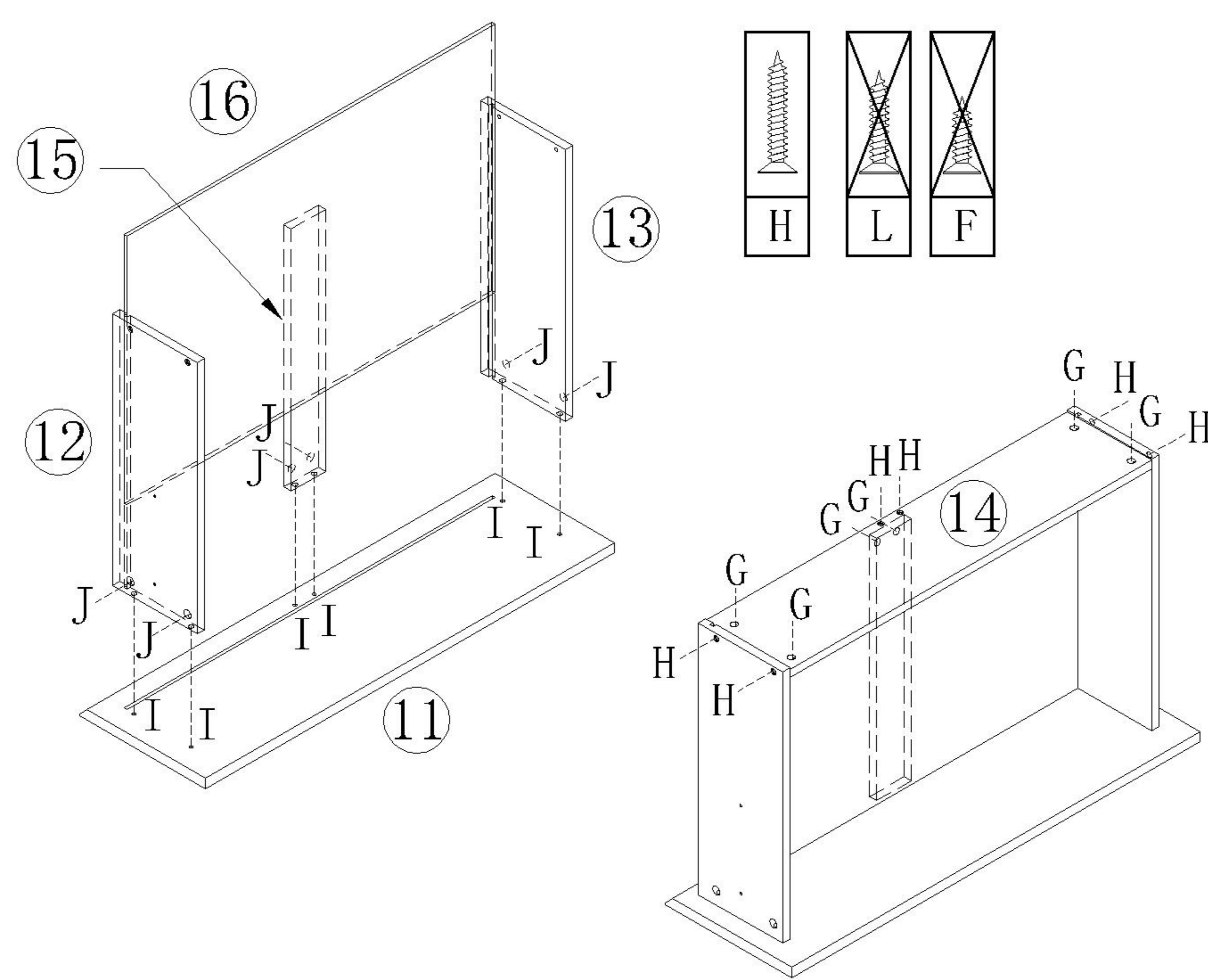
X2

- 1
- (F)*12
- (P)*2

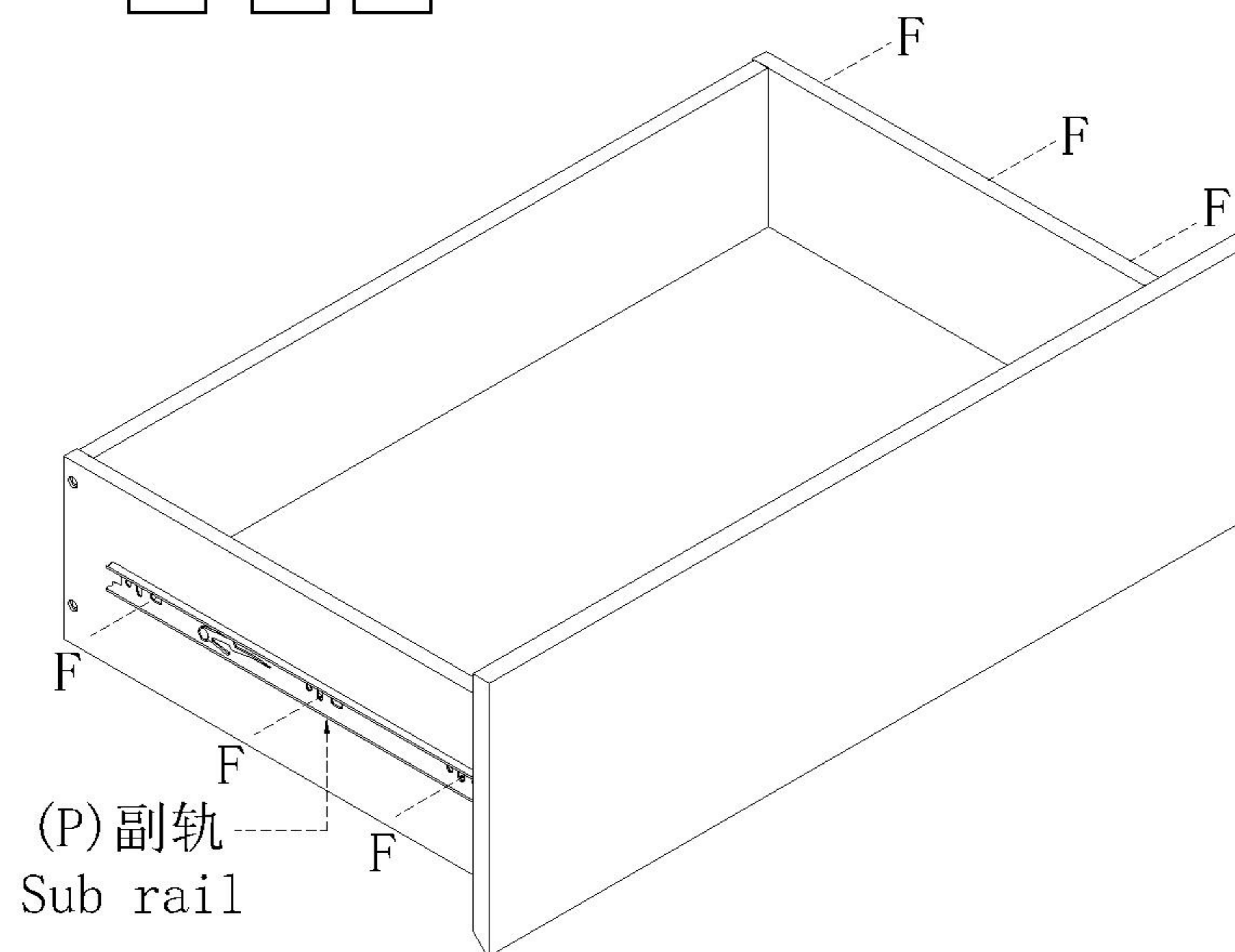
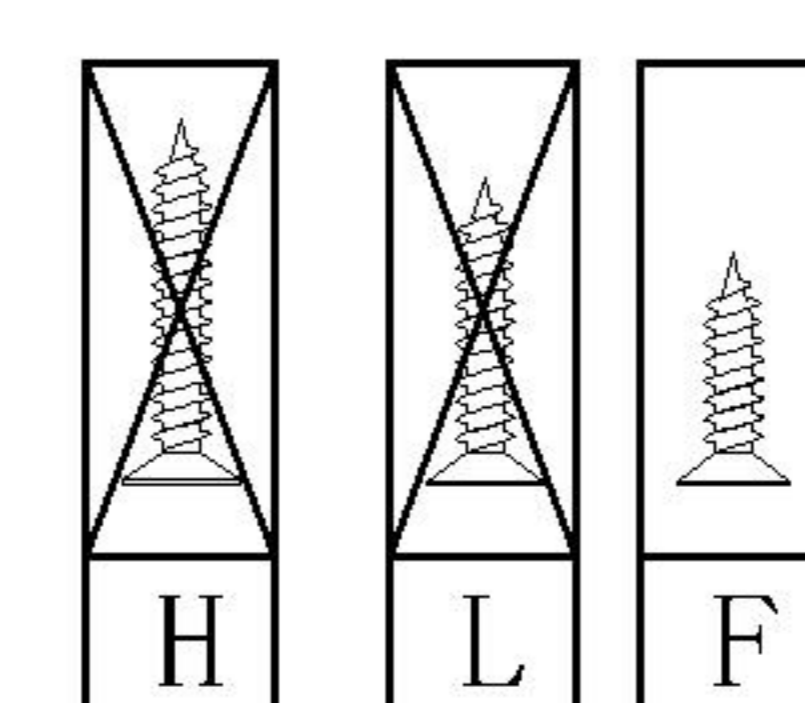


X2

- (G)*6
- (H)*6
- (I)*6
- (J)*6



- 3
- (F)*6
- (P)*1



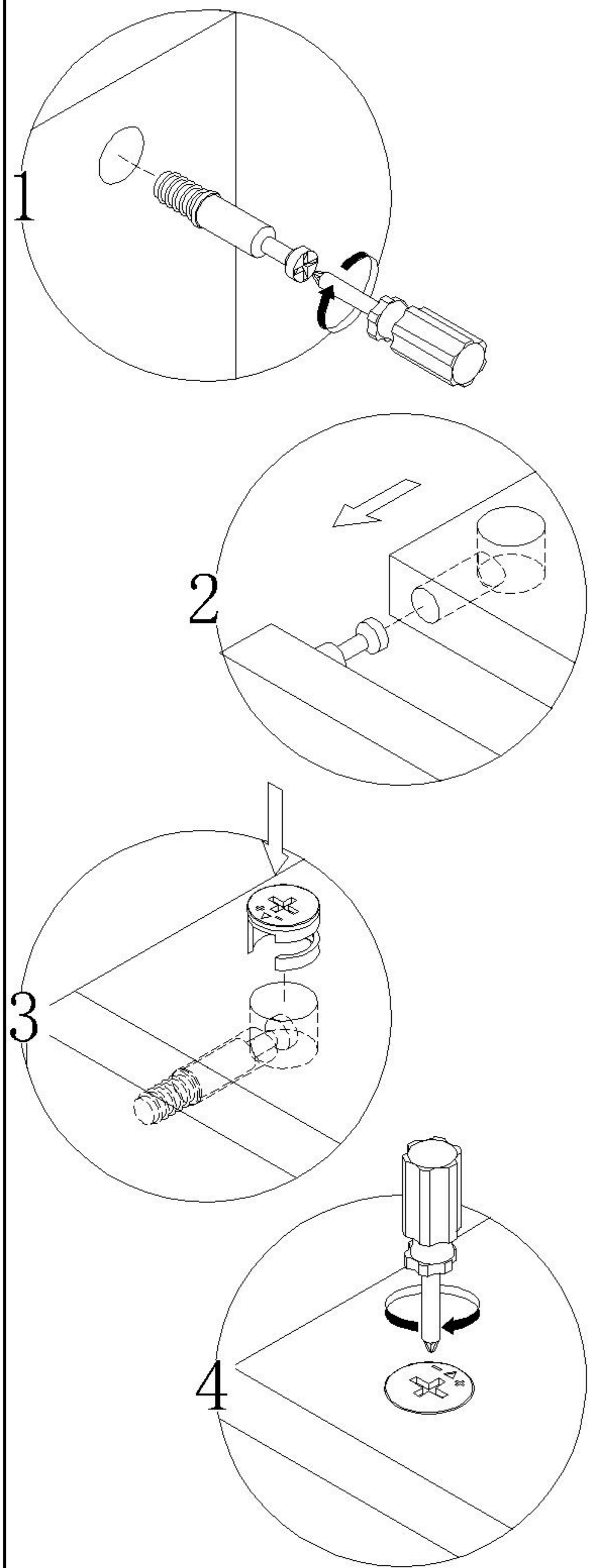
(P) 副轨
Sub rail

2

4

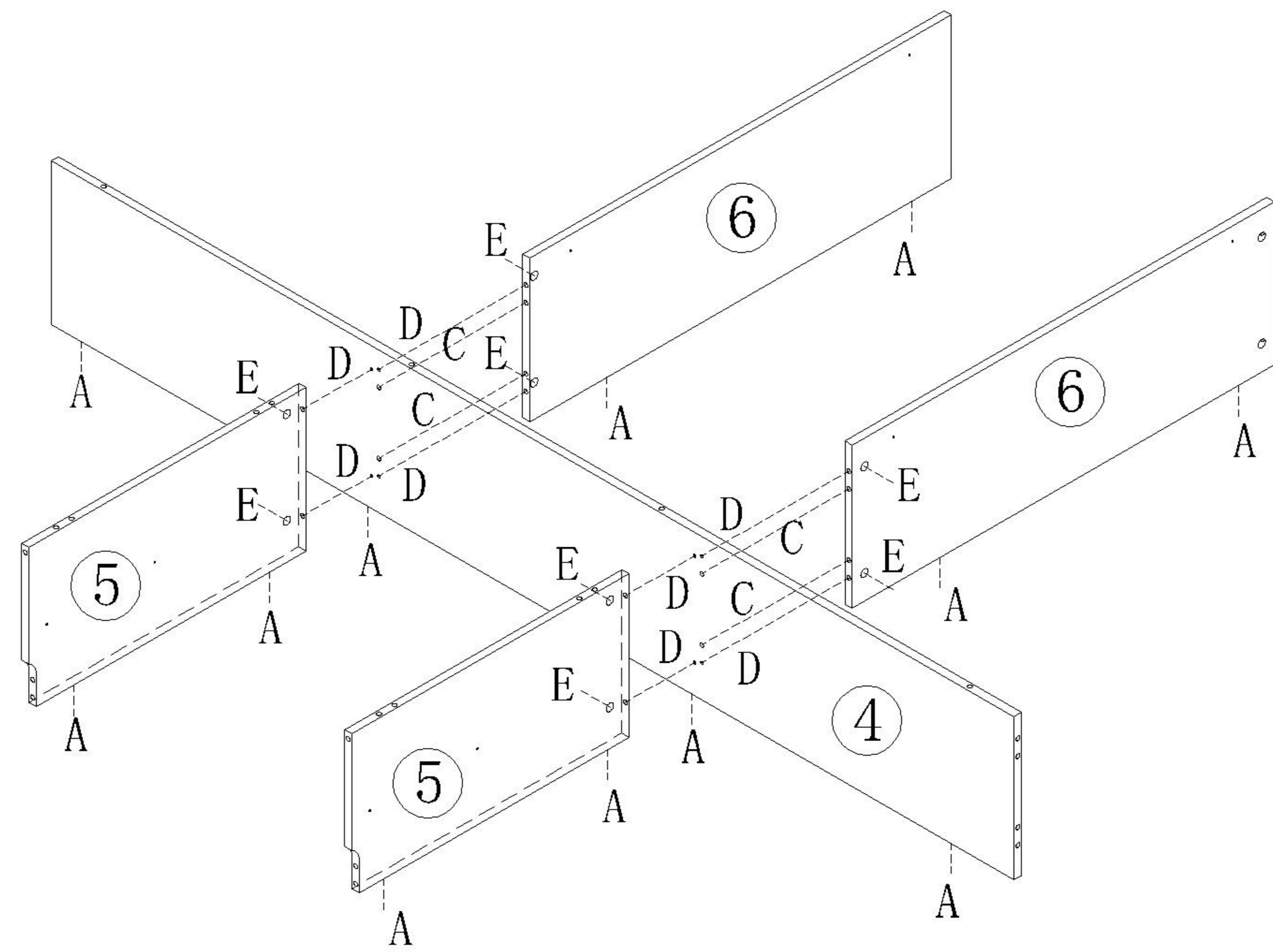
OV8A-C 1.5m 床身

安装方法/
Installation method



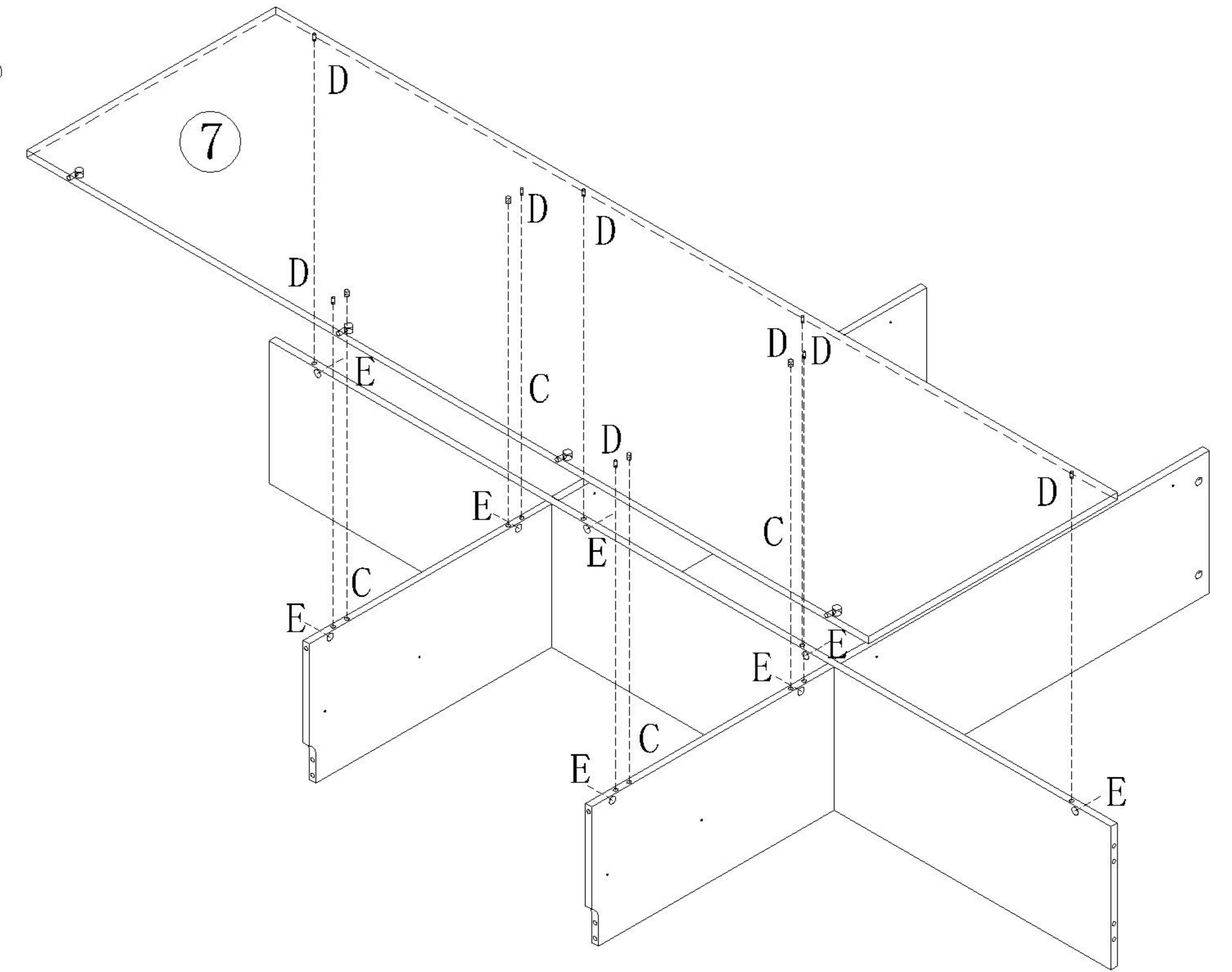
大二合一
two-in-one

- (A)*12
- (C)*4
- (D)*8
- (E)*8



5

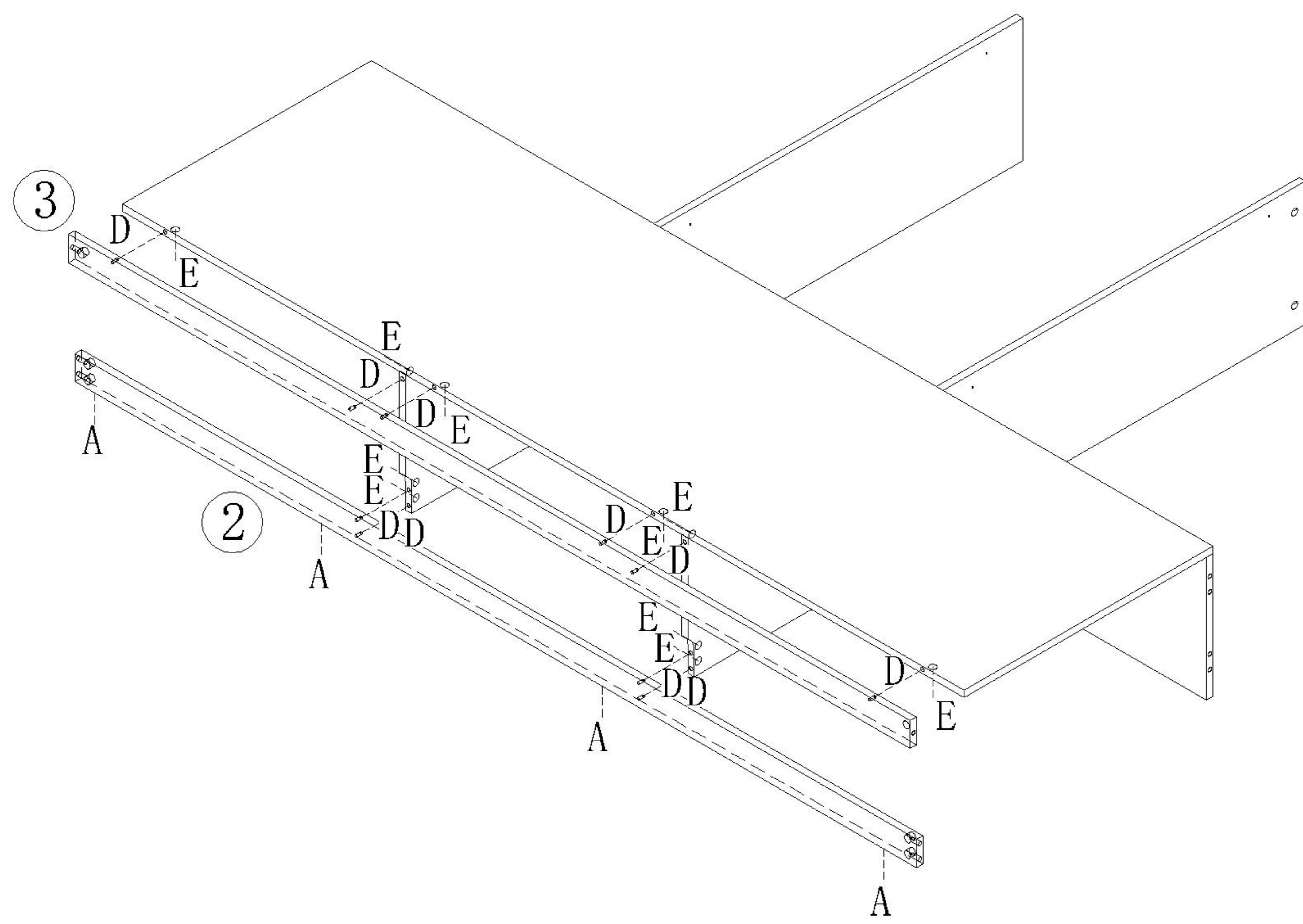
- (C)*4
- (D)*8
- (E)*8



6

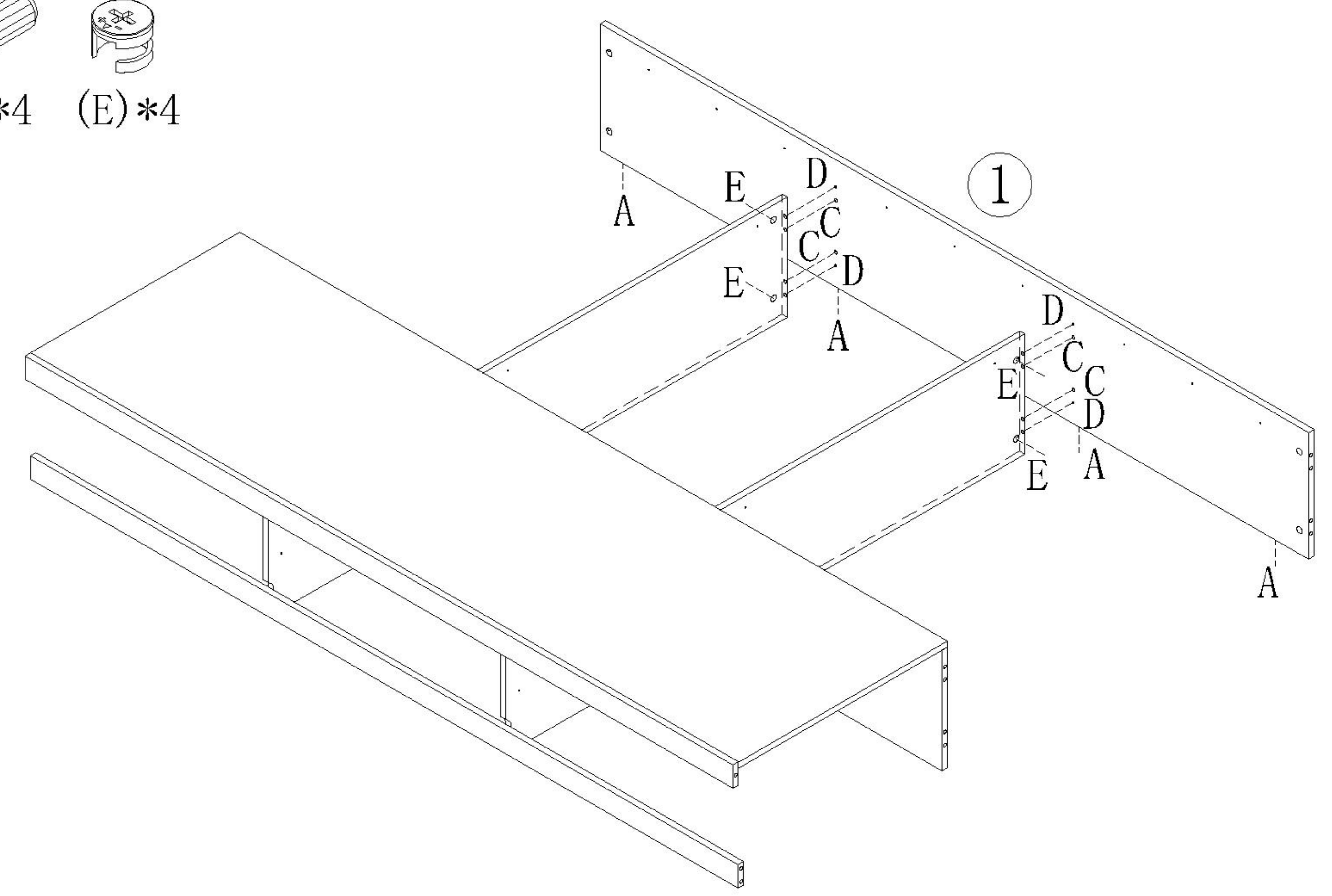
- (A)*4
- (D)*10
- (E)*10

7



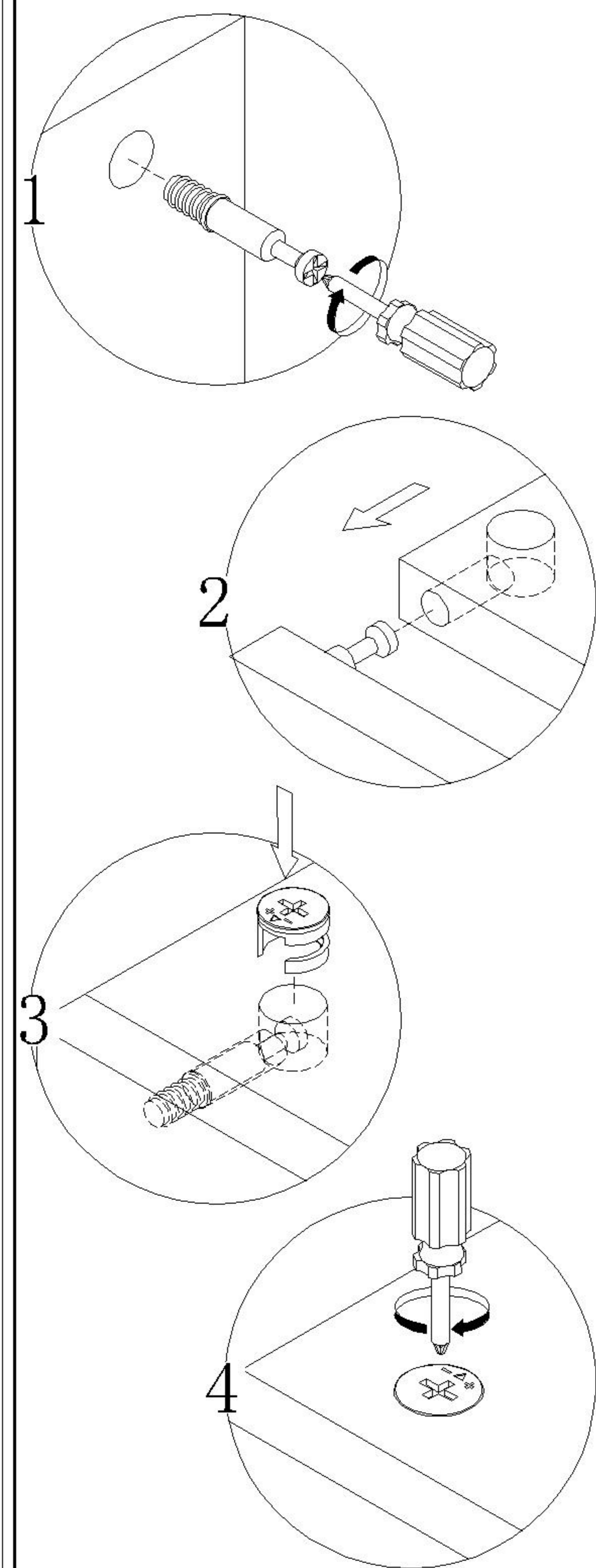
- (A)*4
- (C)*4
- (D)*4
- (E)*4

8

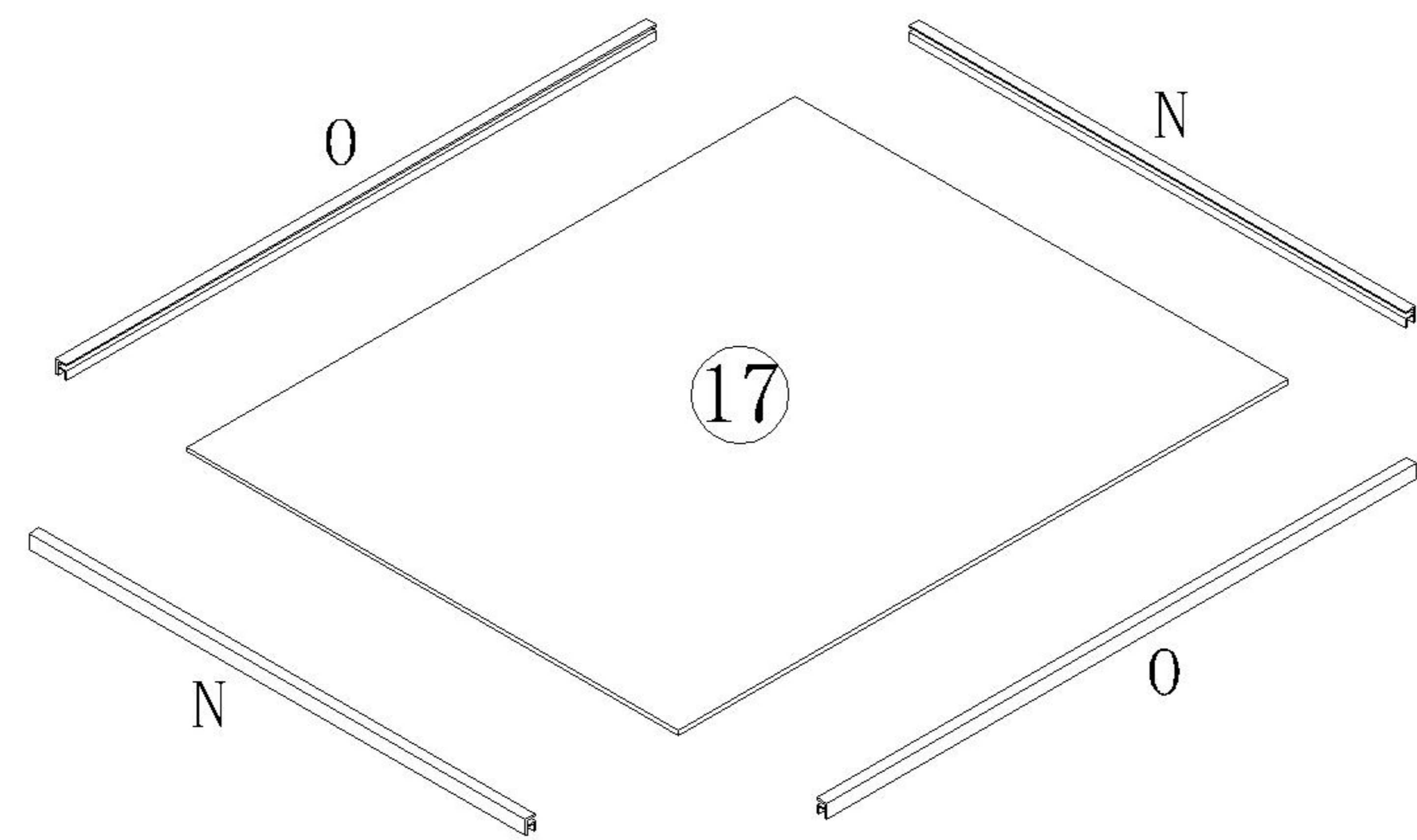
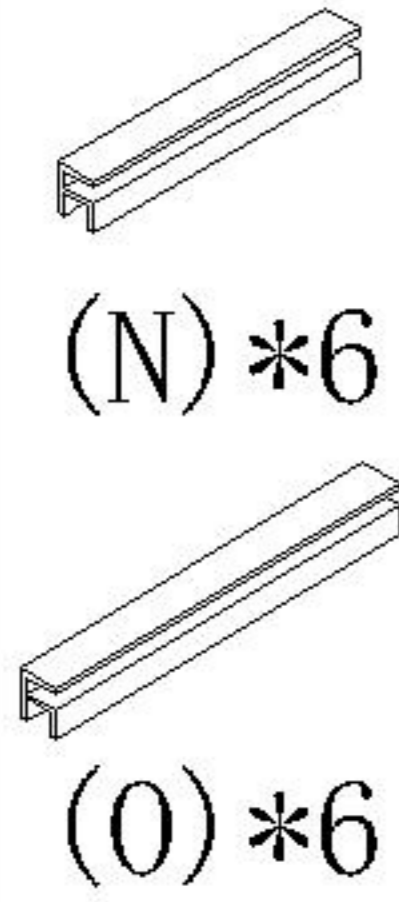


OV8A-C 1.5m 床身

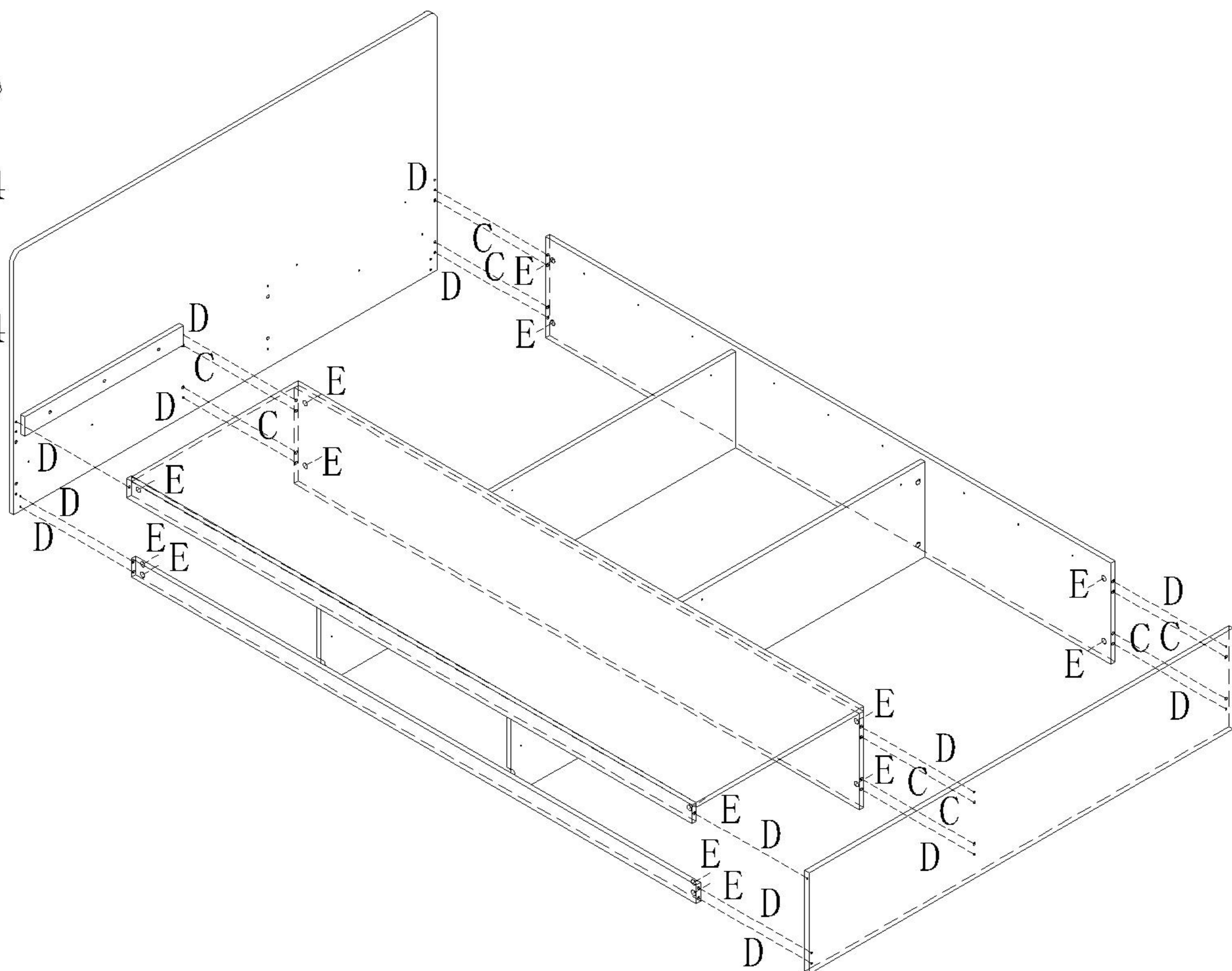
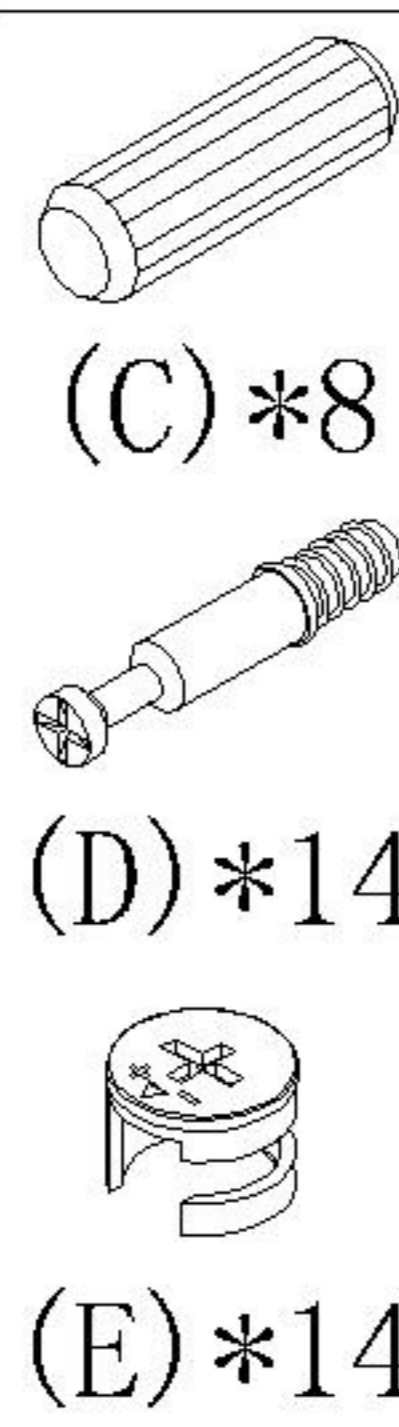
安装方法/
Installation method



大二合一
two-in-one

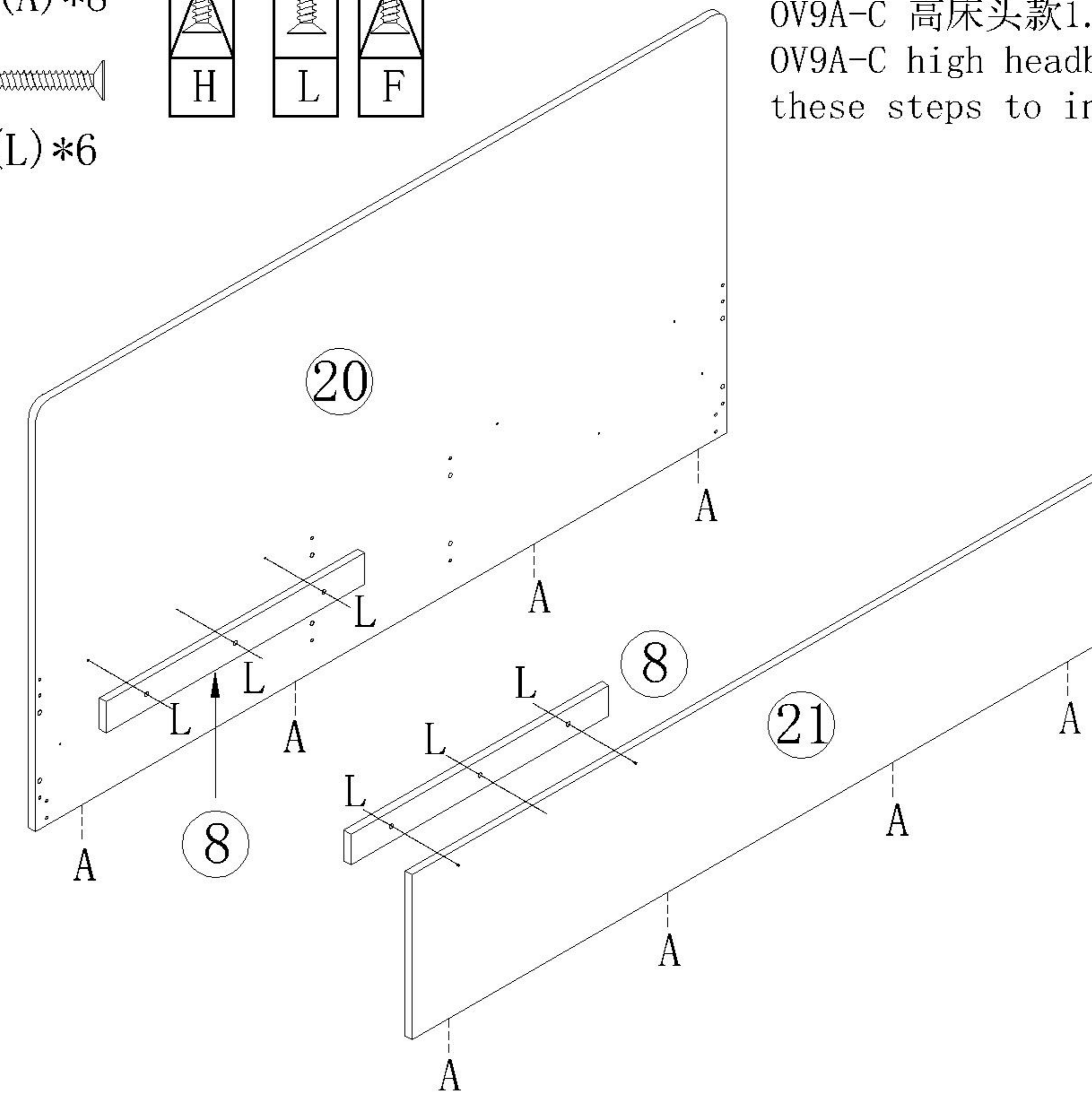
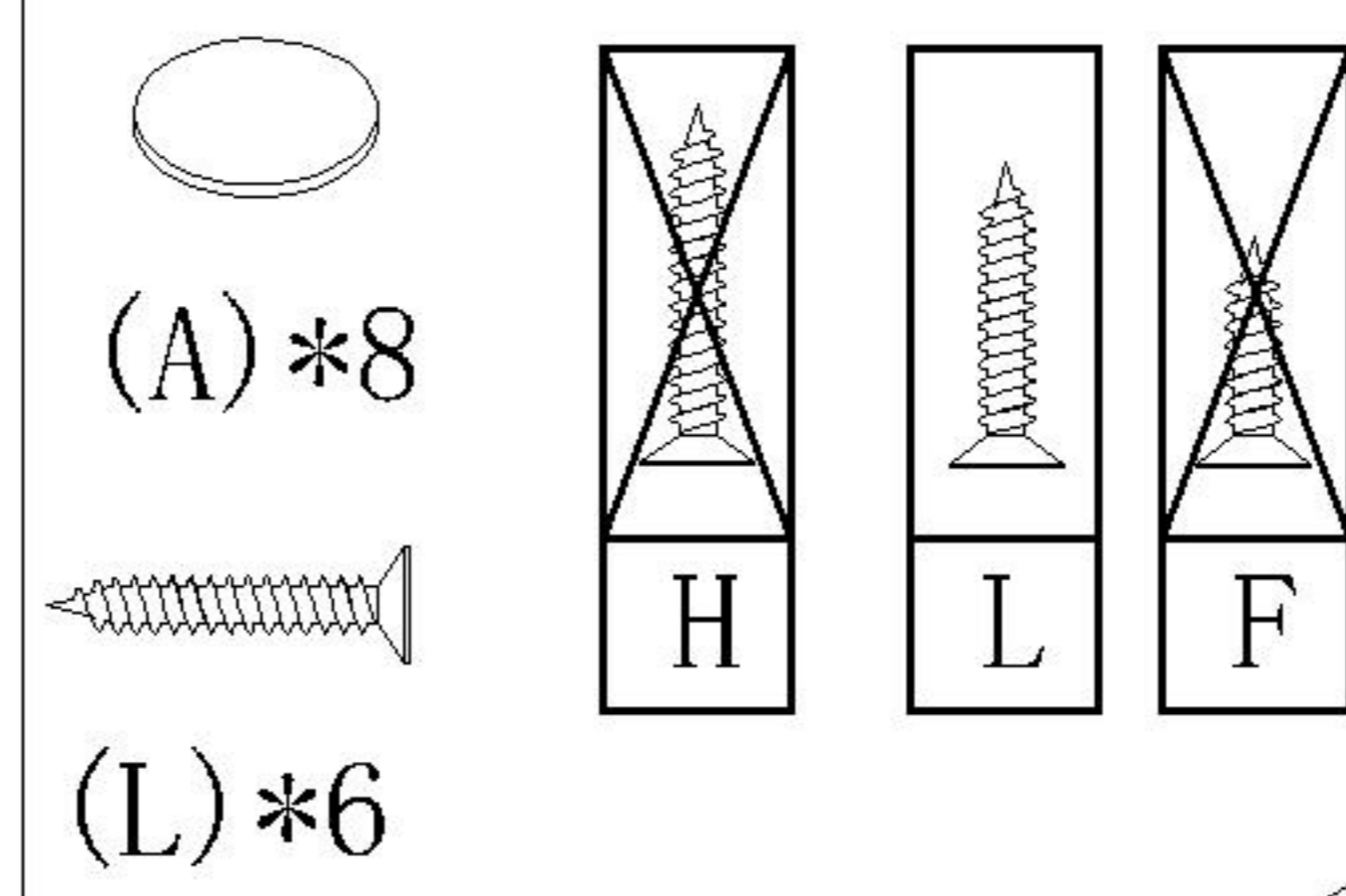


X3



11

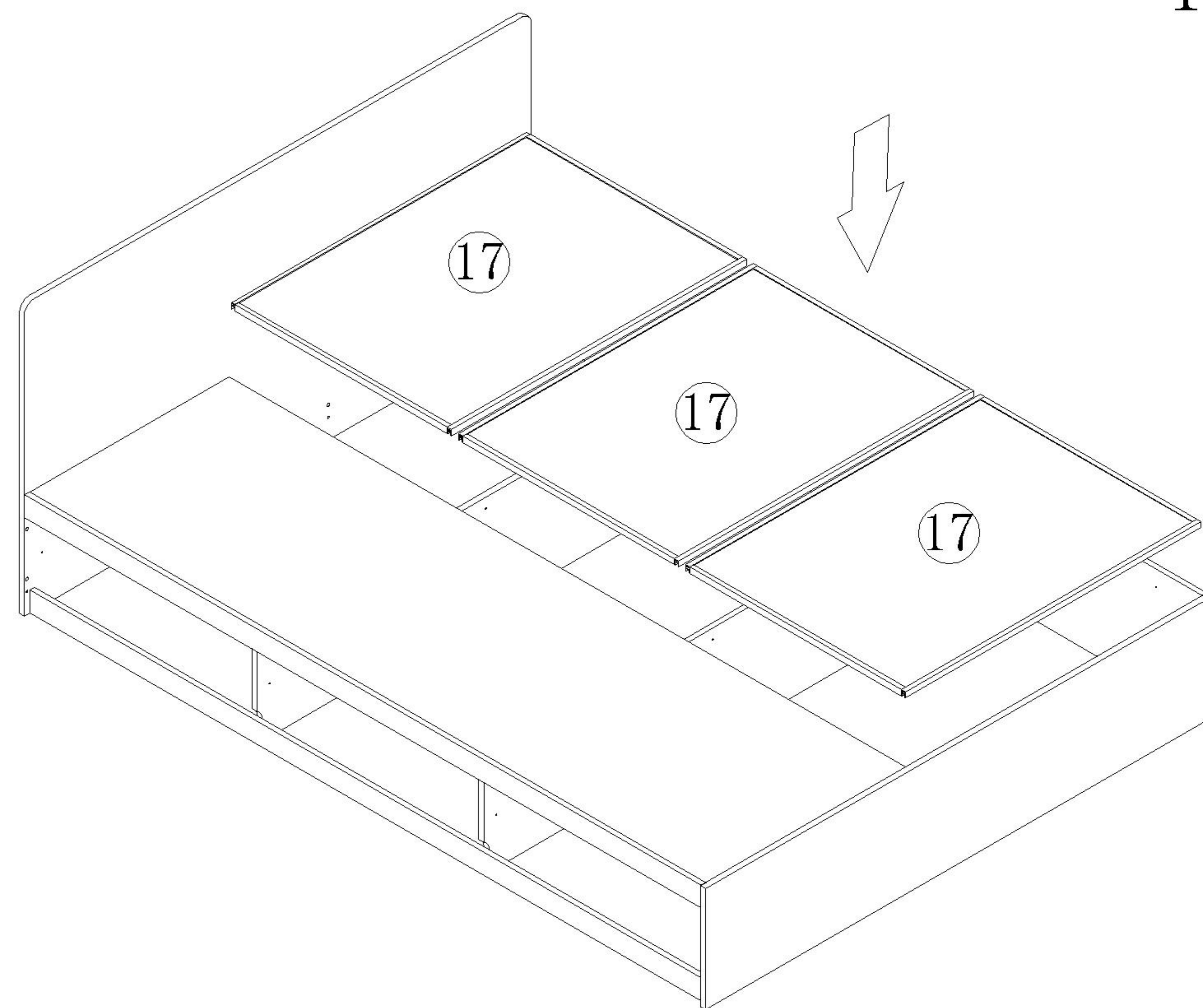
9



10

OV9A-C 高床头款1.5米 按以下步骤安装
OV9A-C high headboard 1.5m Follow these steps to install

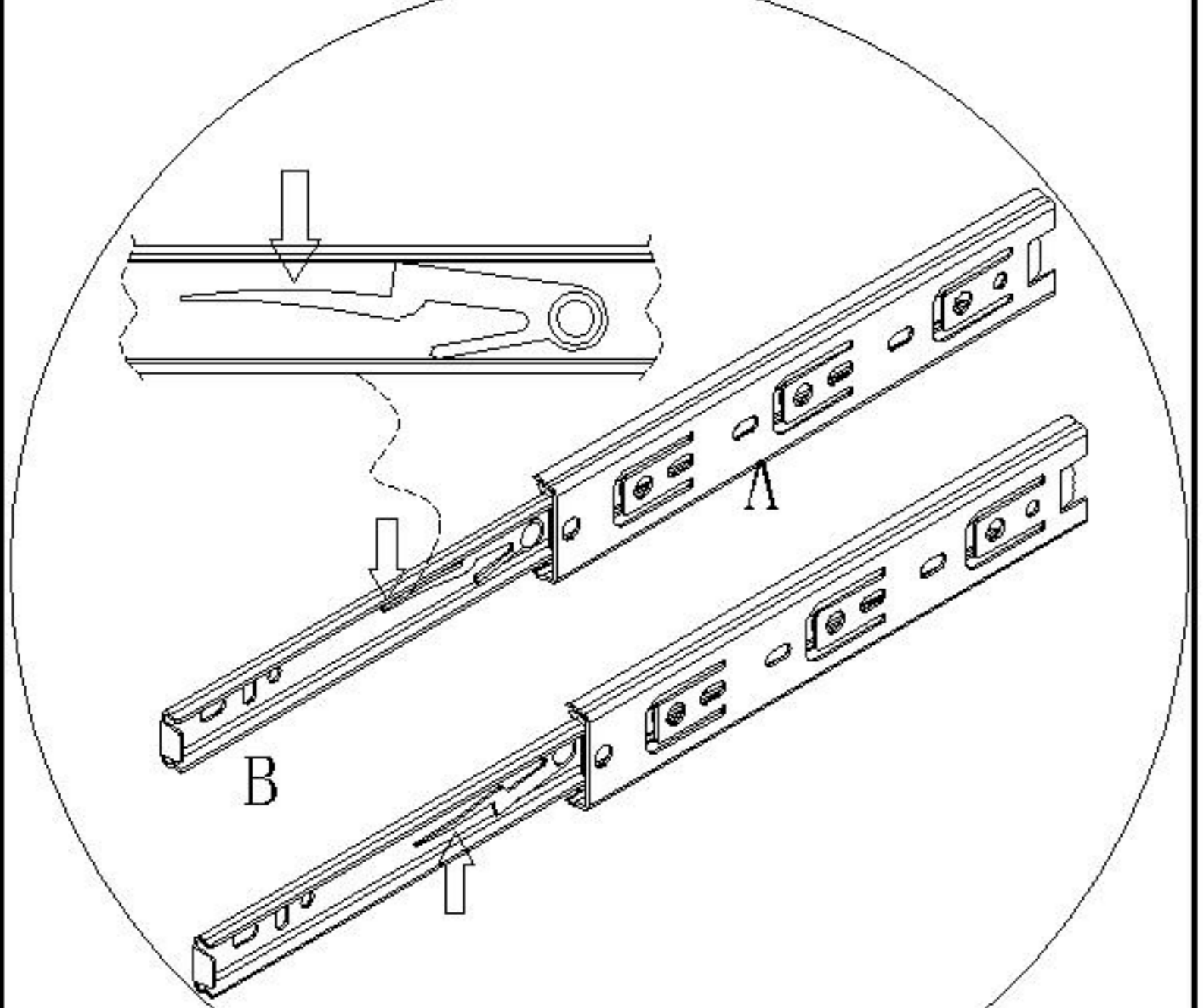
12



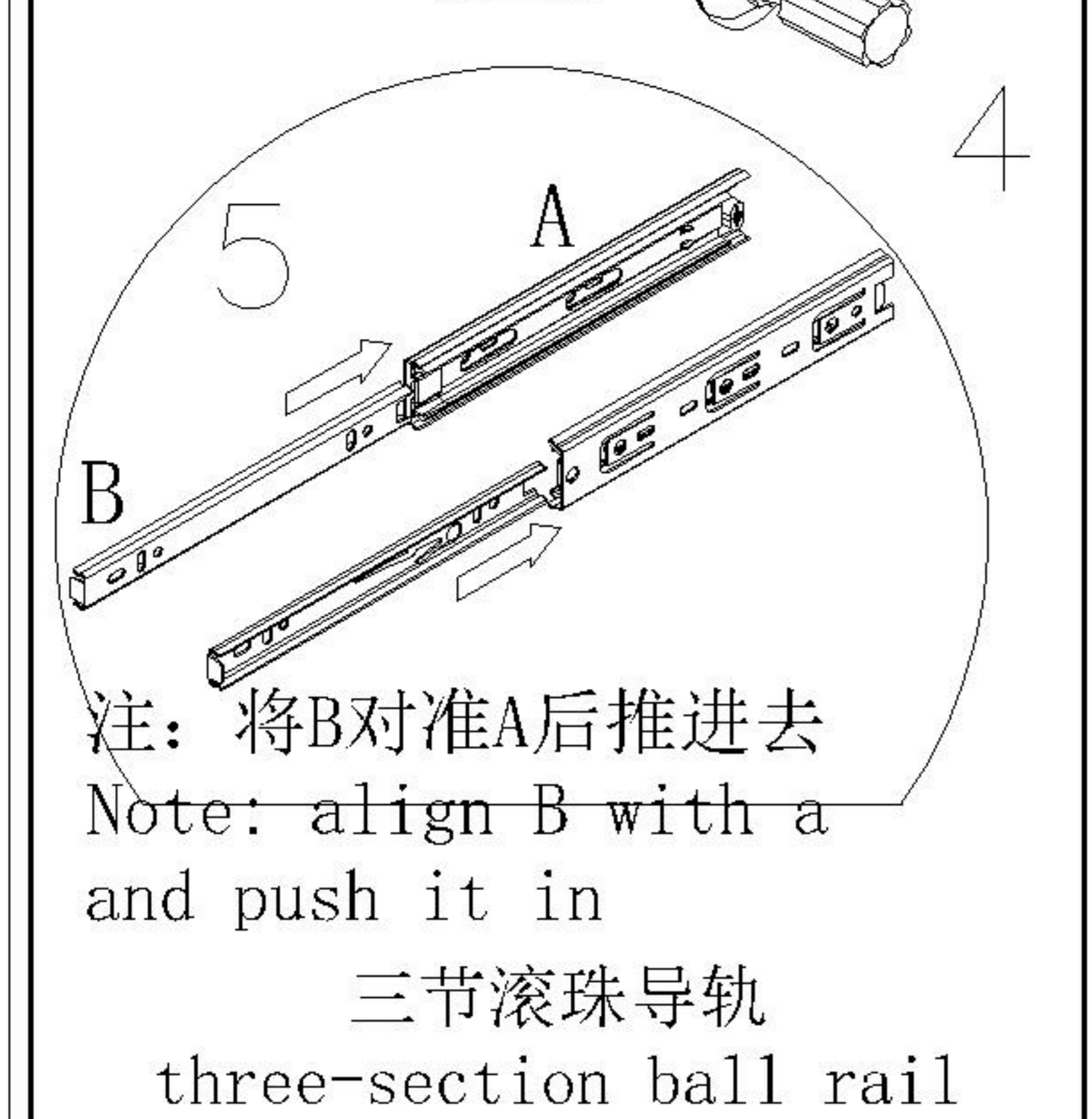
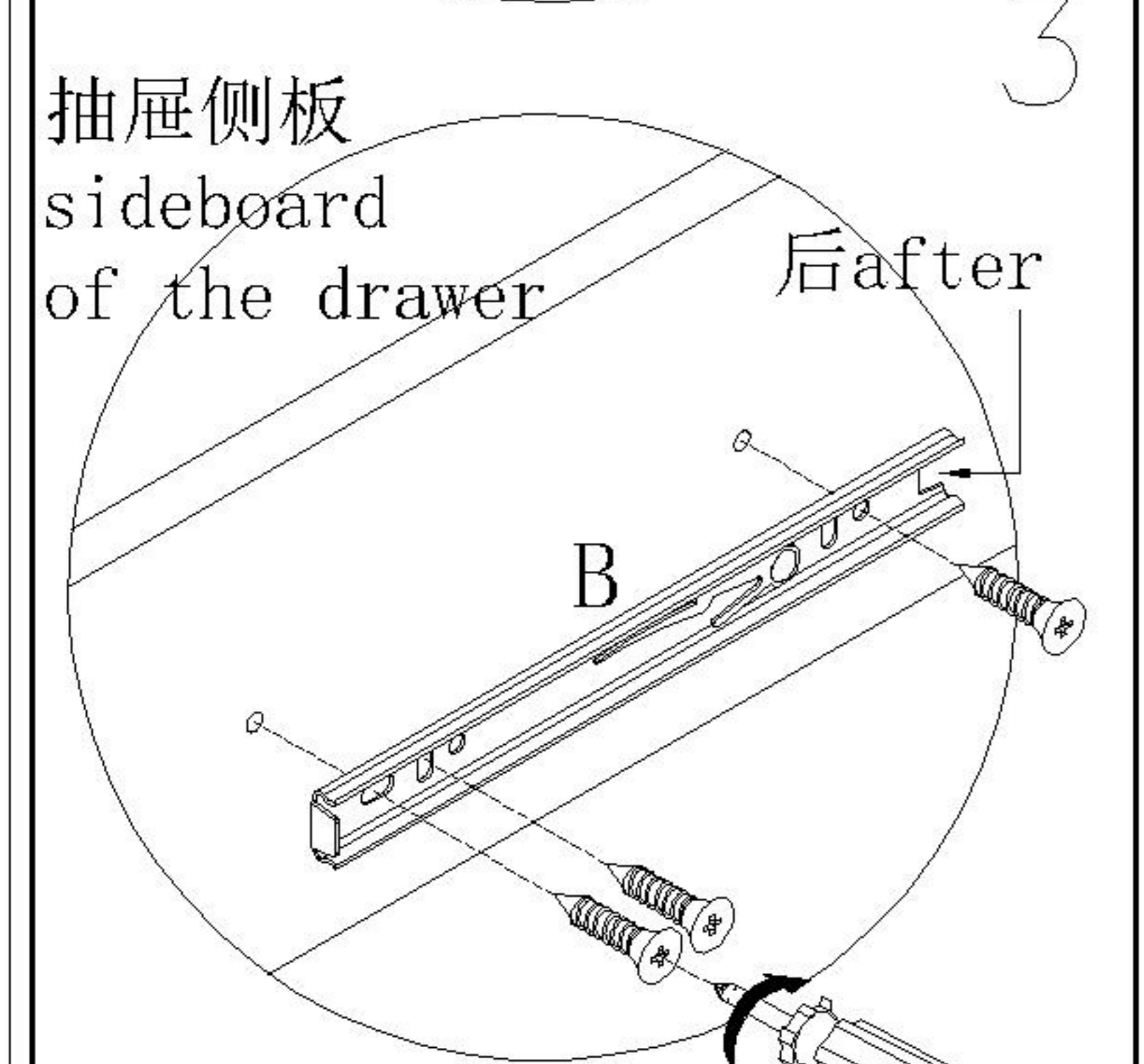
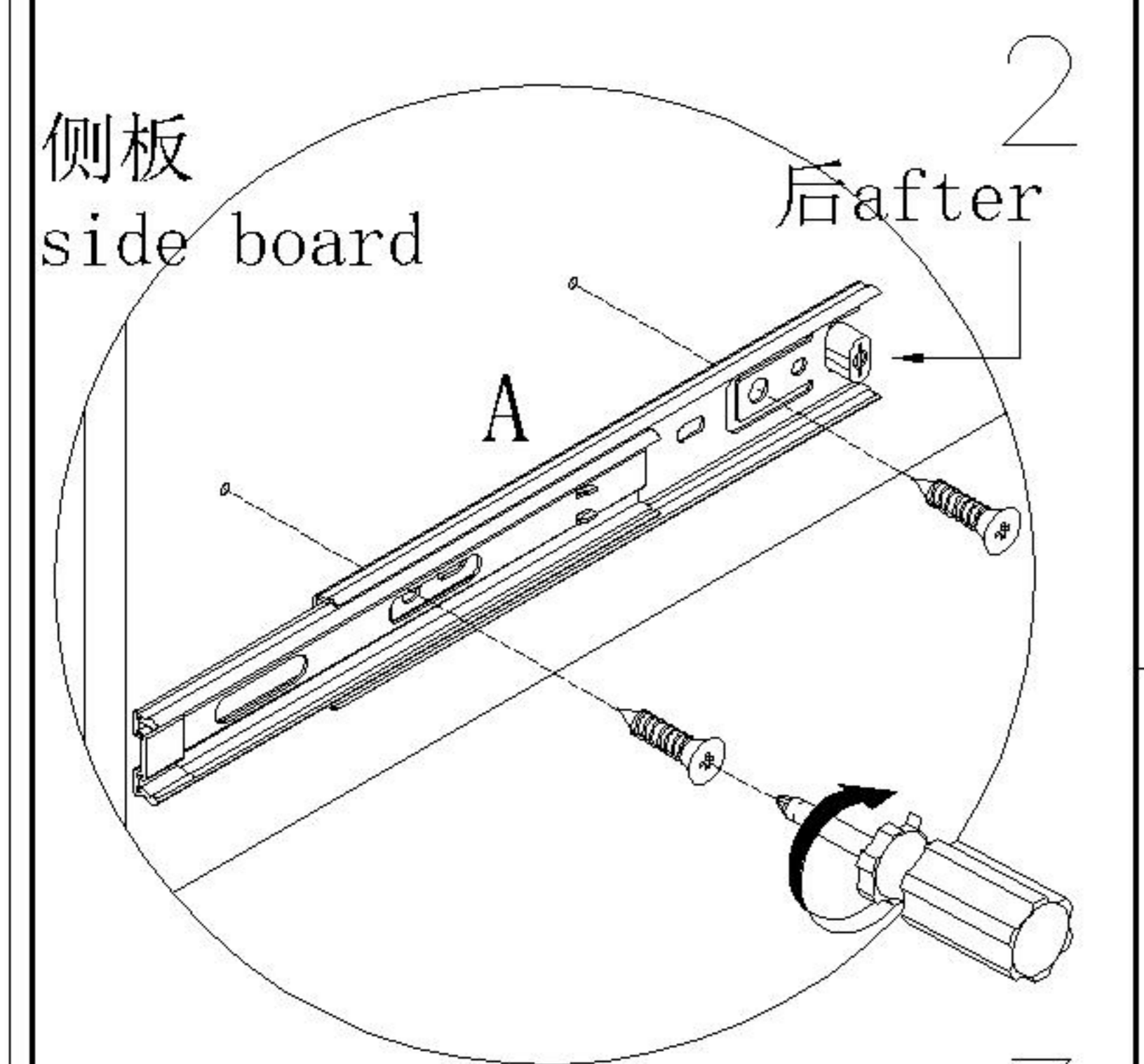
OV8A-C 1.5m 床身

安装方法/
Installation method

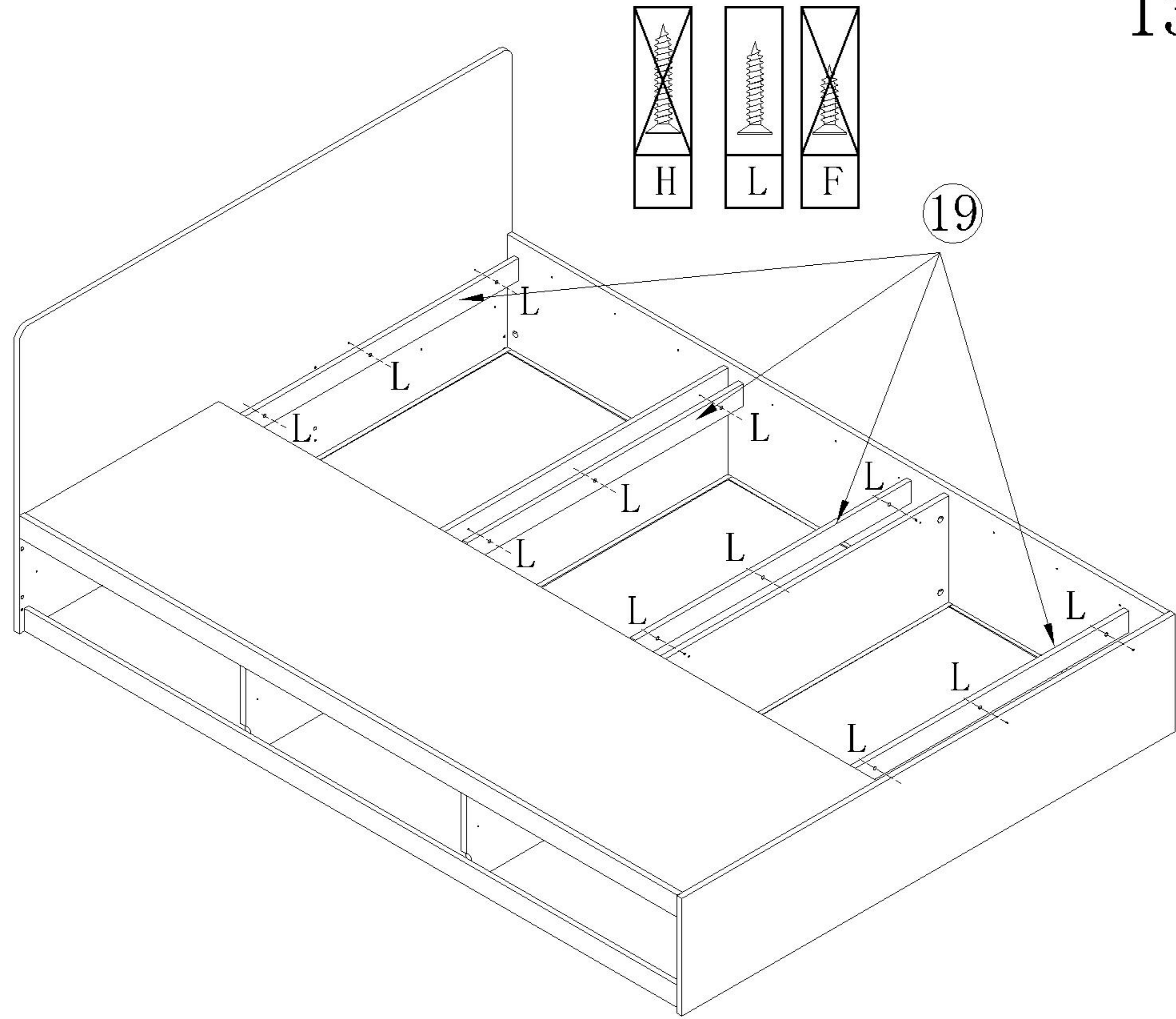
1
阀门开关(下压为开)
Valve switch
(press down to open)



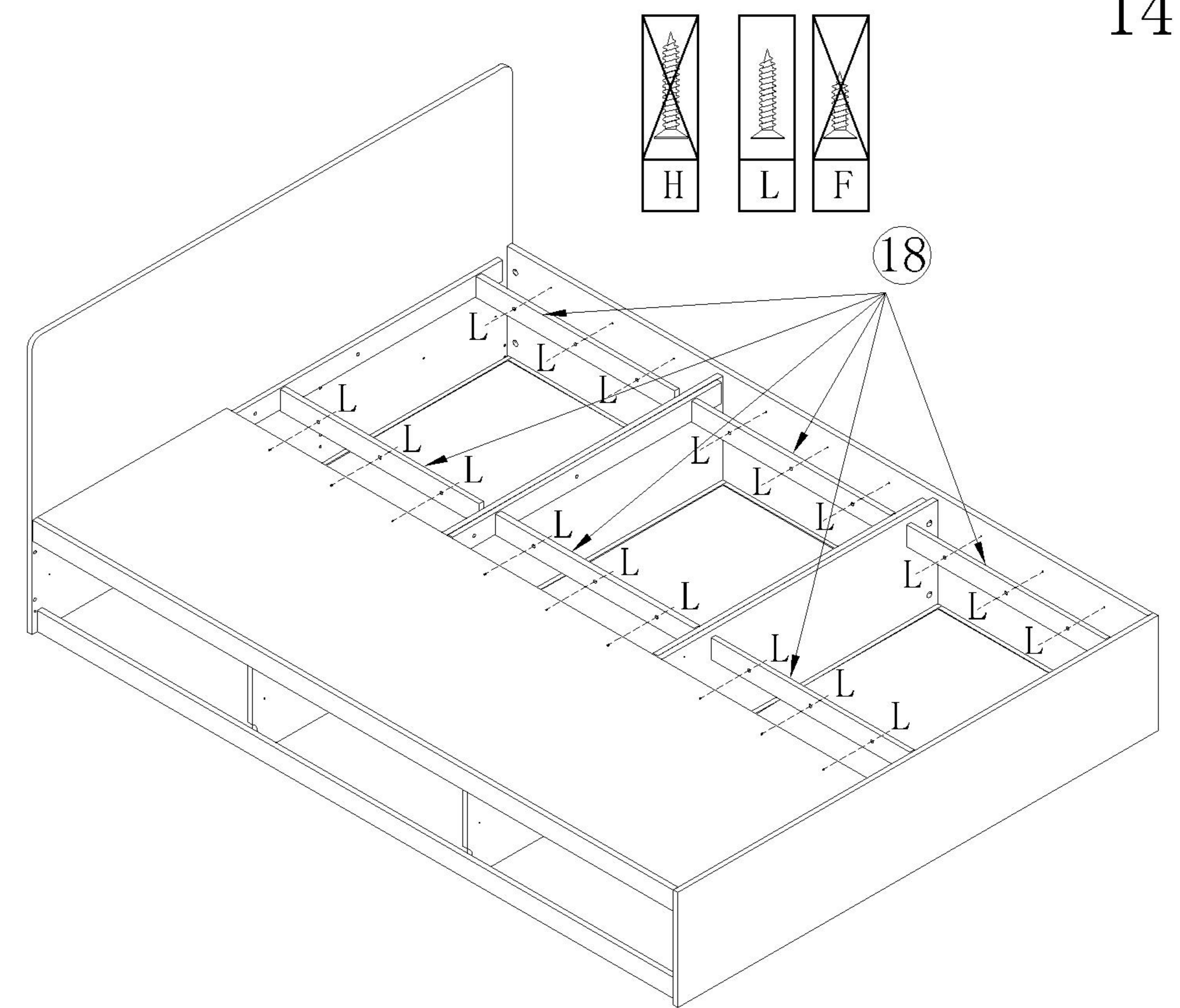
注: 先将A与B拆下来
Note: remove a and B first



(L)*12

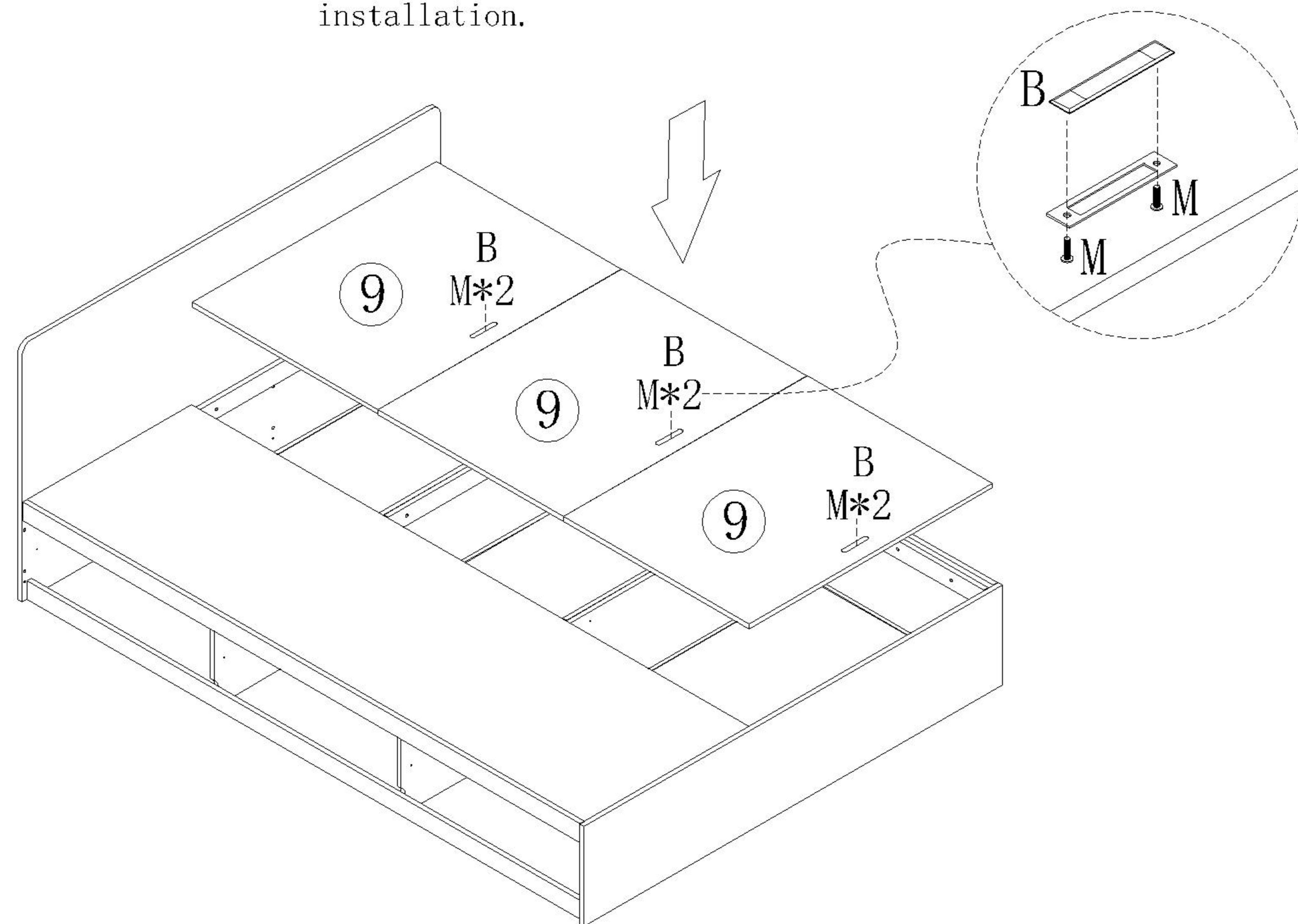


13
(L)*18

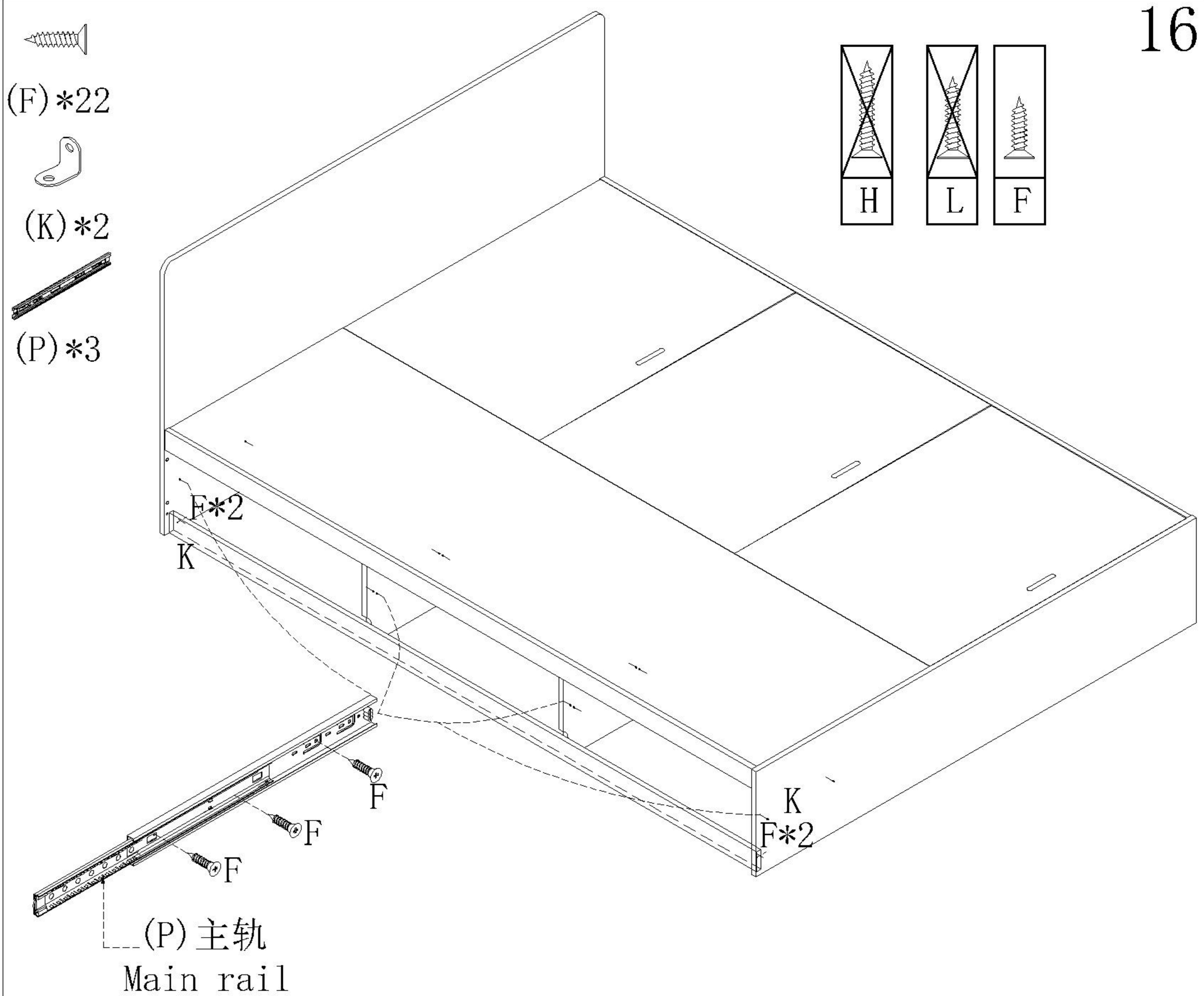


(B)*3 (M)*6

注意! 安装五金B时请勿使用五金B内拉手螺丝安装, 需使用五金M进行安装。
Attention! When installing hardware B, do not use the internal handle screws of hardware B for installation. Instead, use hardware M for installation.



15
(F)*22
(K)*2
(P)*3

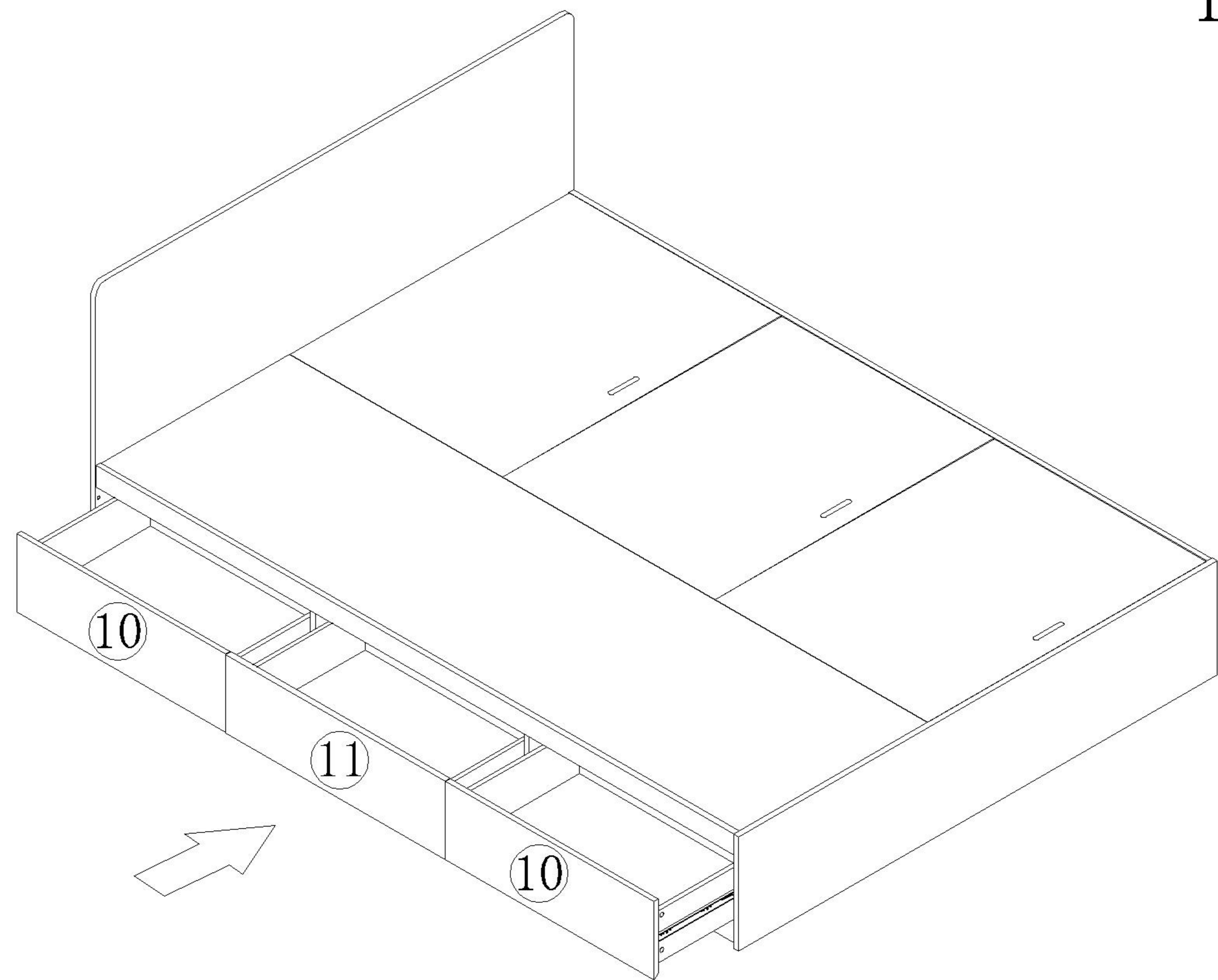


14

16

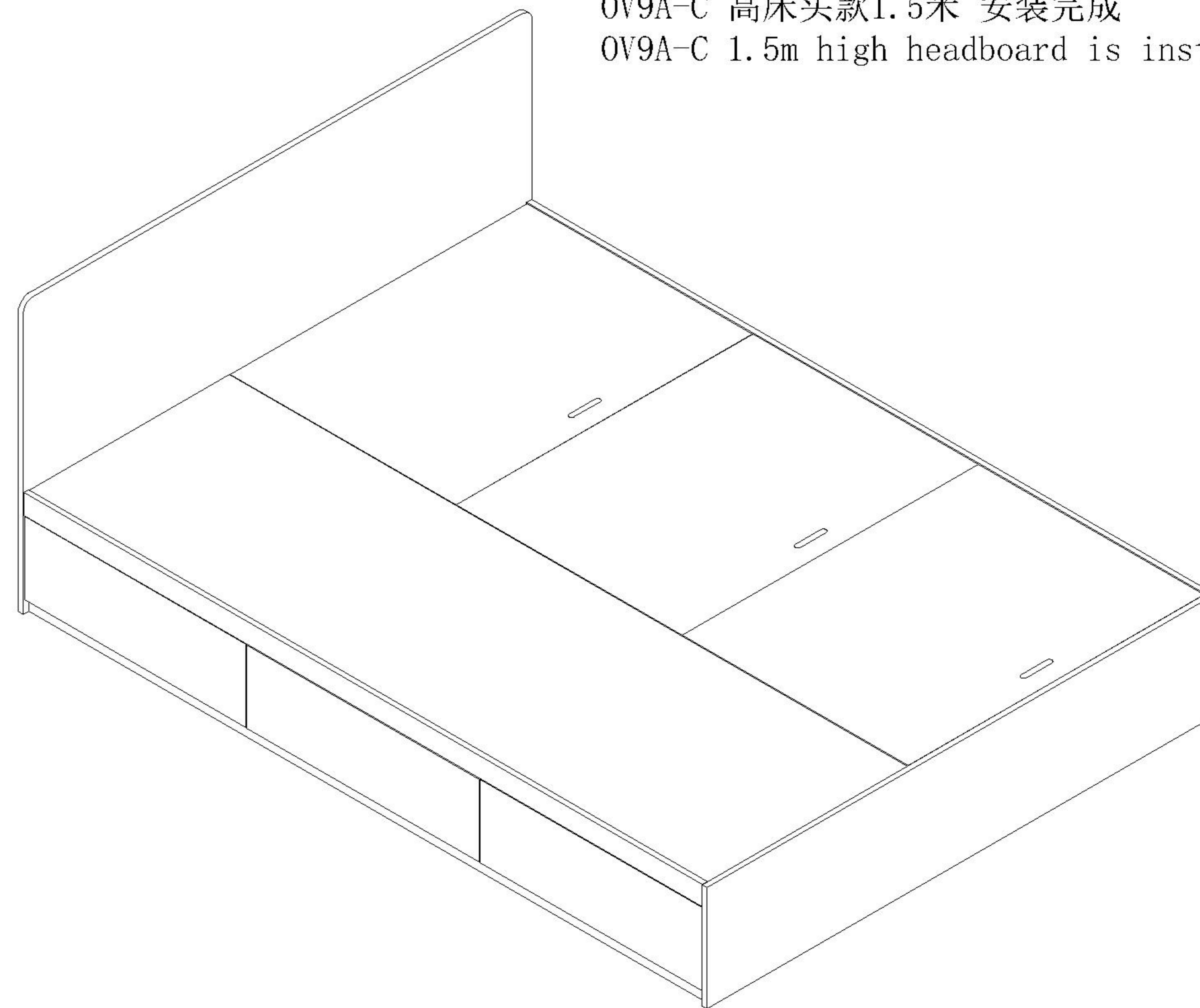
OV8A-C 1.5m 床身

安装方法/
Installation method

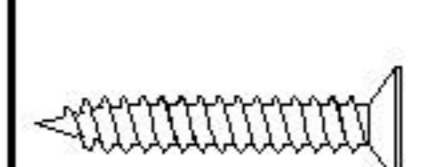


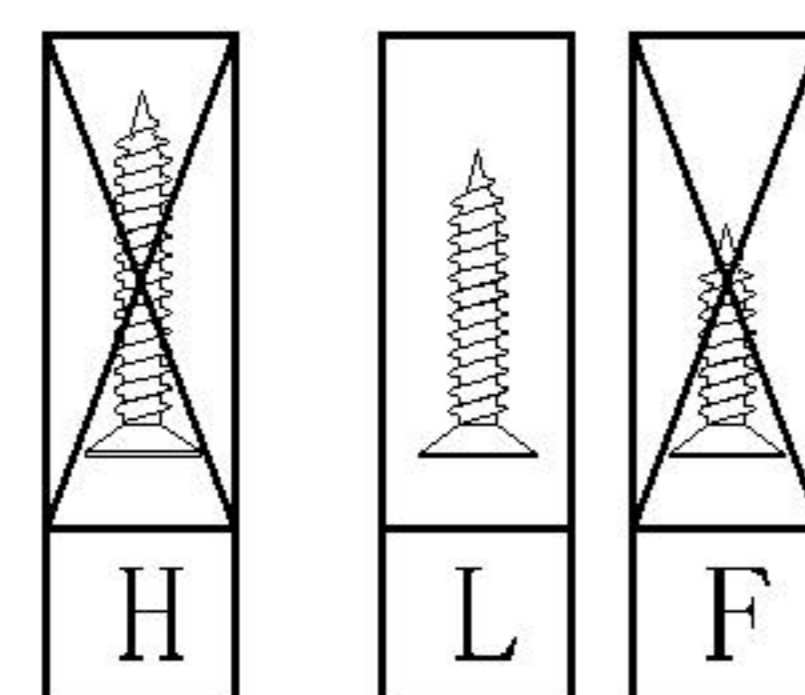
17

OV9A-C 高床头款1.5米 安装完成
OV9A-C 1.5m high headboard is installed



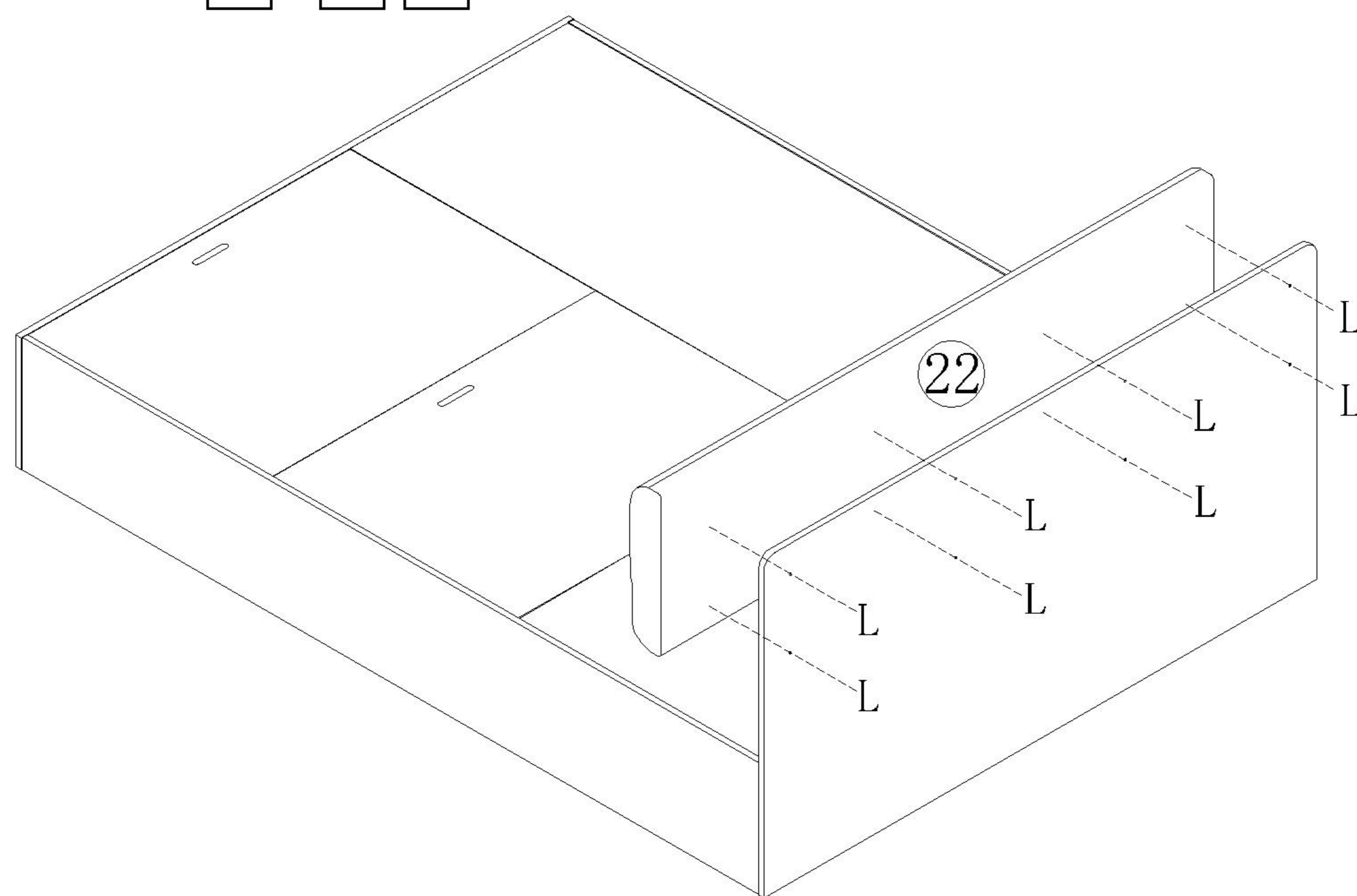
18


(L)*8



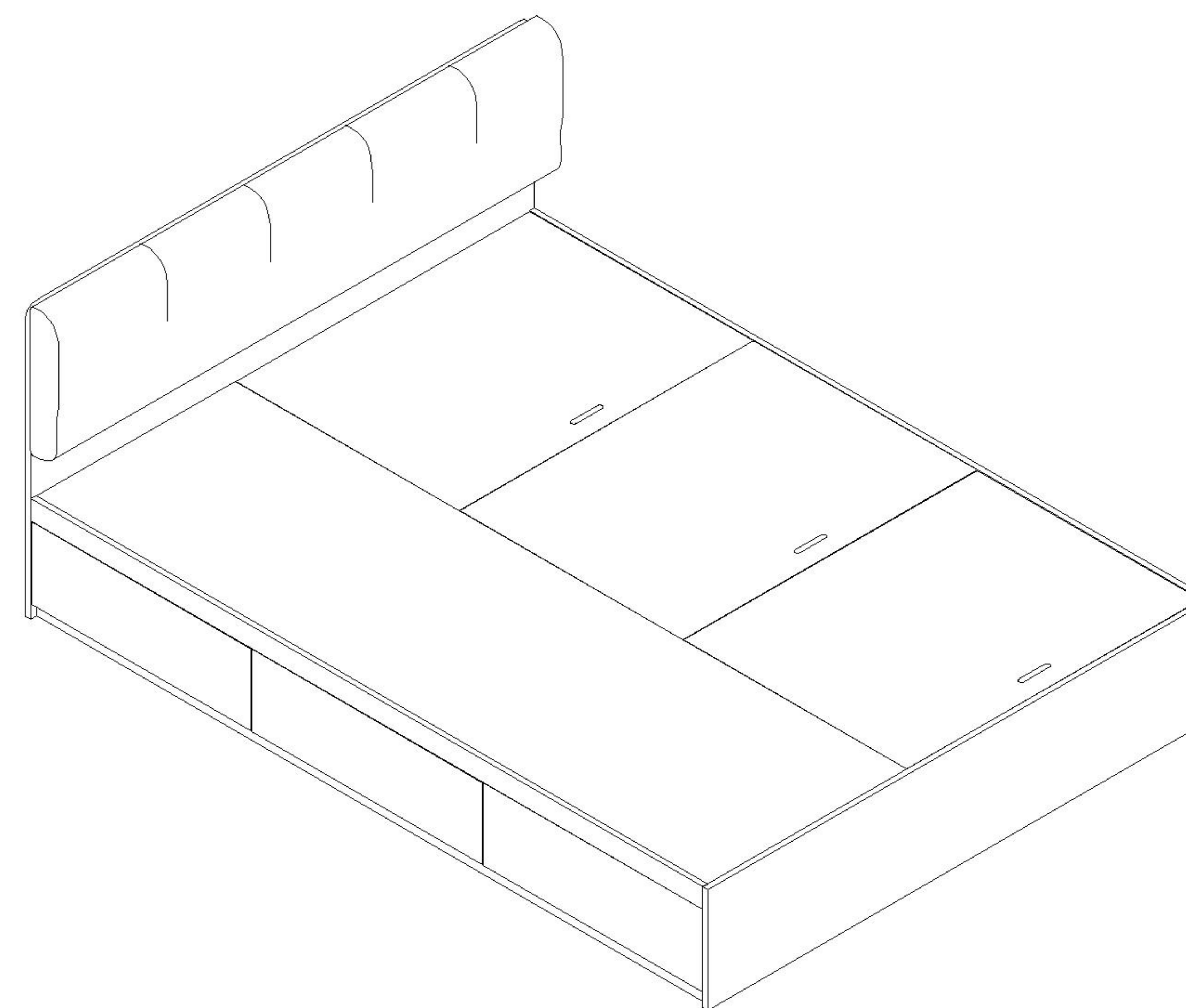
OV10A-C 软包床头款1.5米 按以下步骤安装
OV10A-C soft bag headboard 1.5m Follow
the steps below to install

19



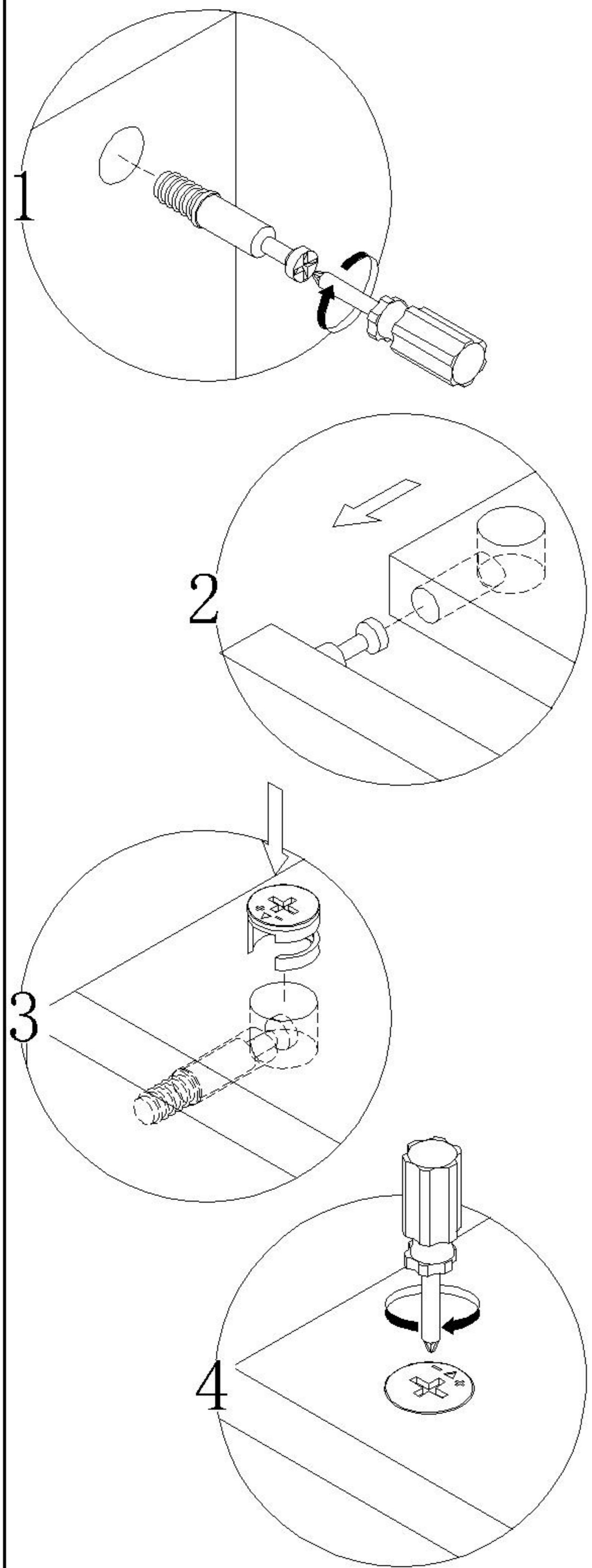
OV10A-C 软包床头款1.5米 安装完成
OV10A-C soft bag headboard 1.5m installation completed

20



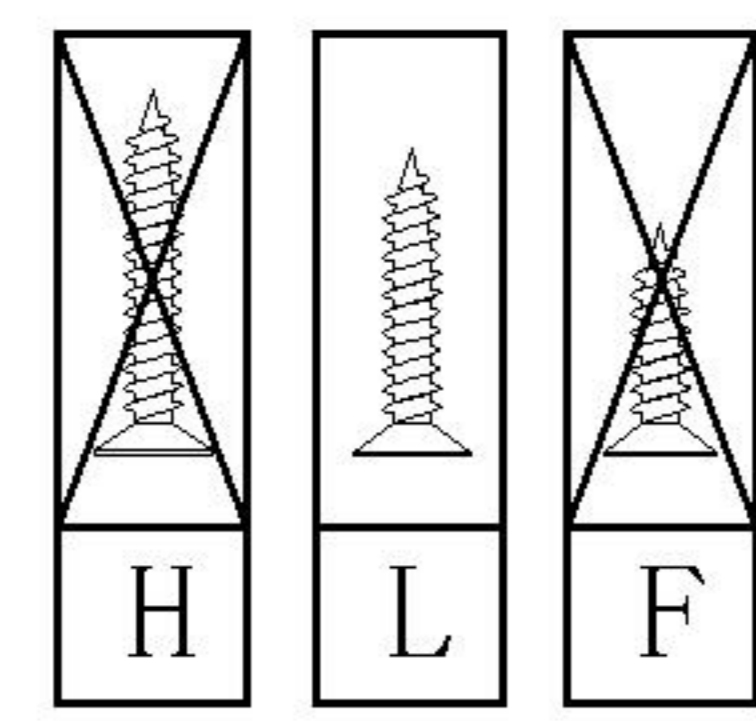
OV8A-C 1.5m 床身

安装方法/
Installation method

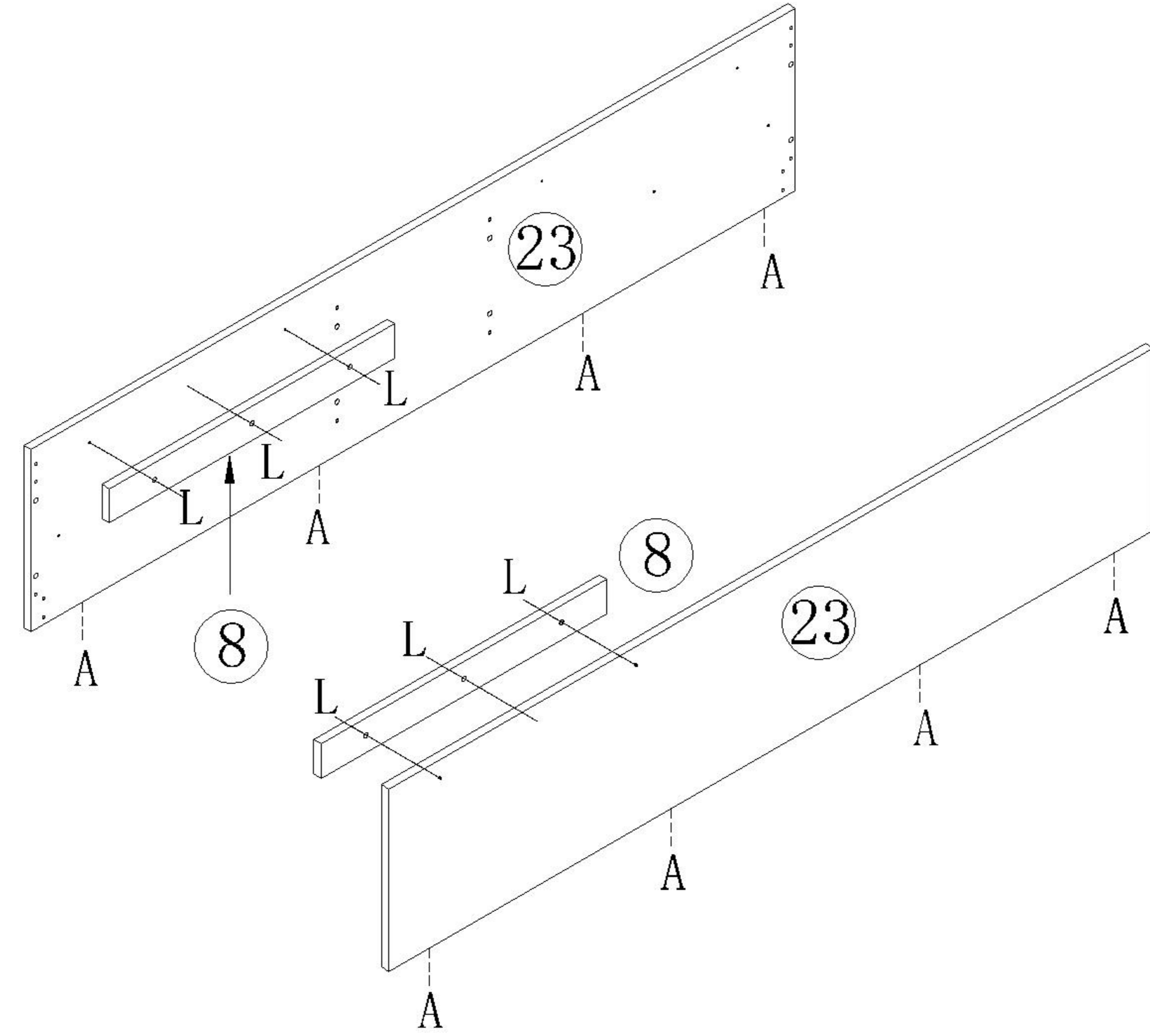


大二合一
two-in-one

○
(A)*8
●
(L)*6

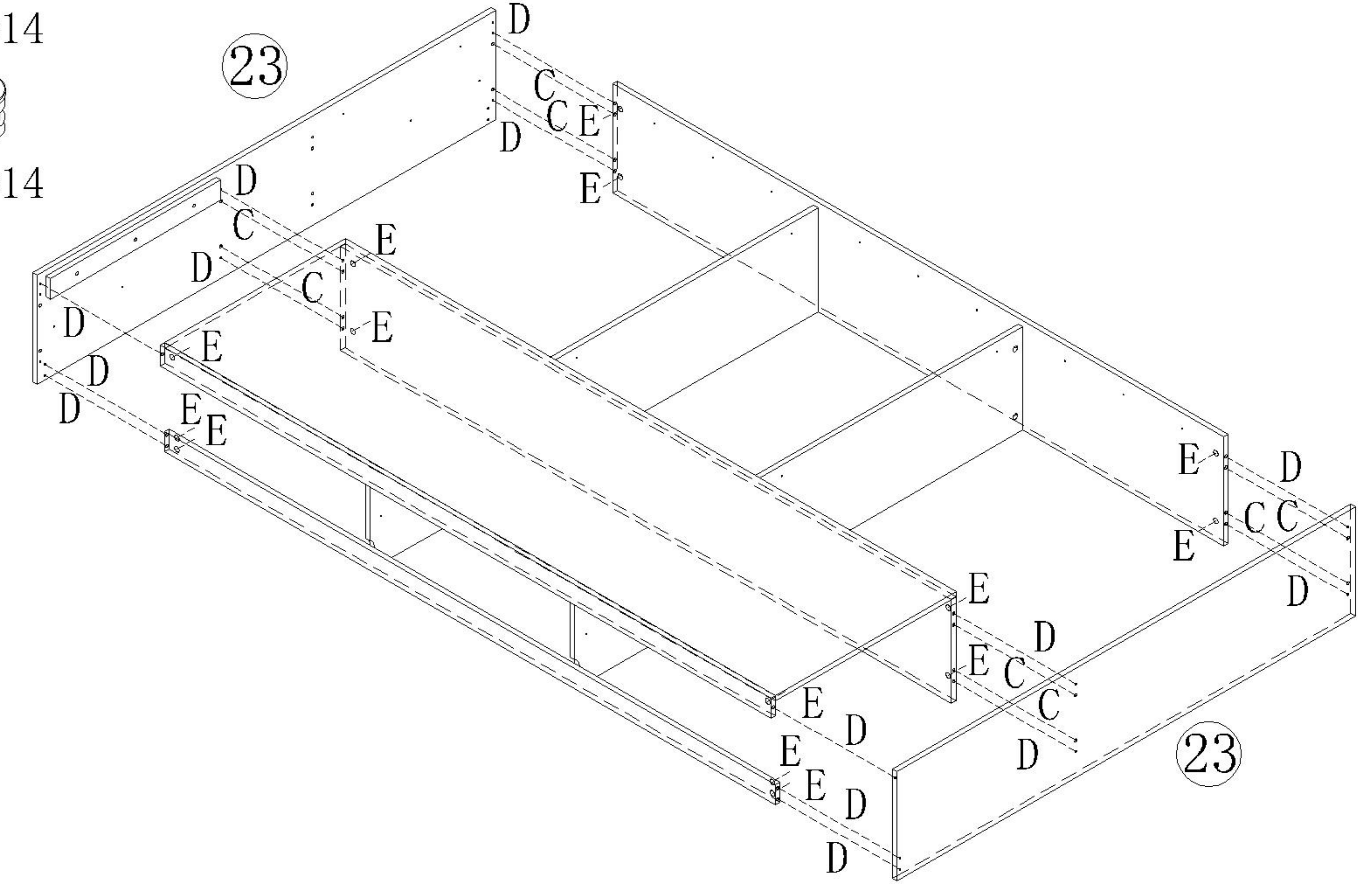


OV8A-C 矮床头款1.5米 按以下步骤安装
OV8A-C Low Headboard 1.5m Follow
the steps below to install



21

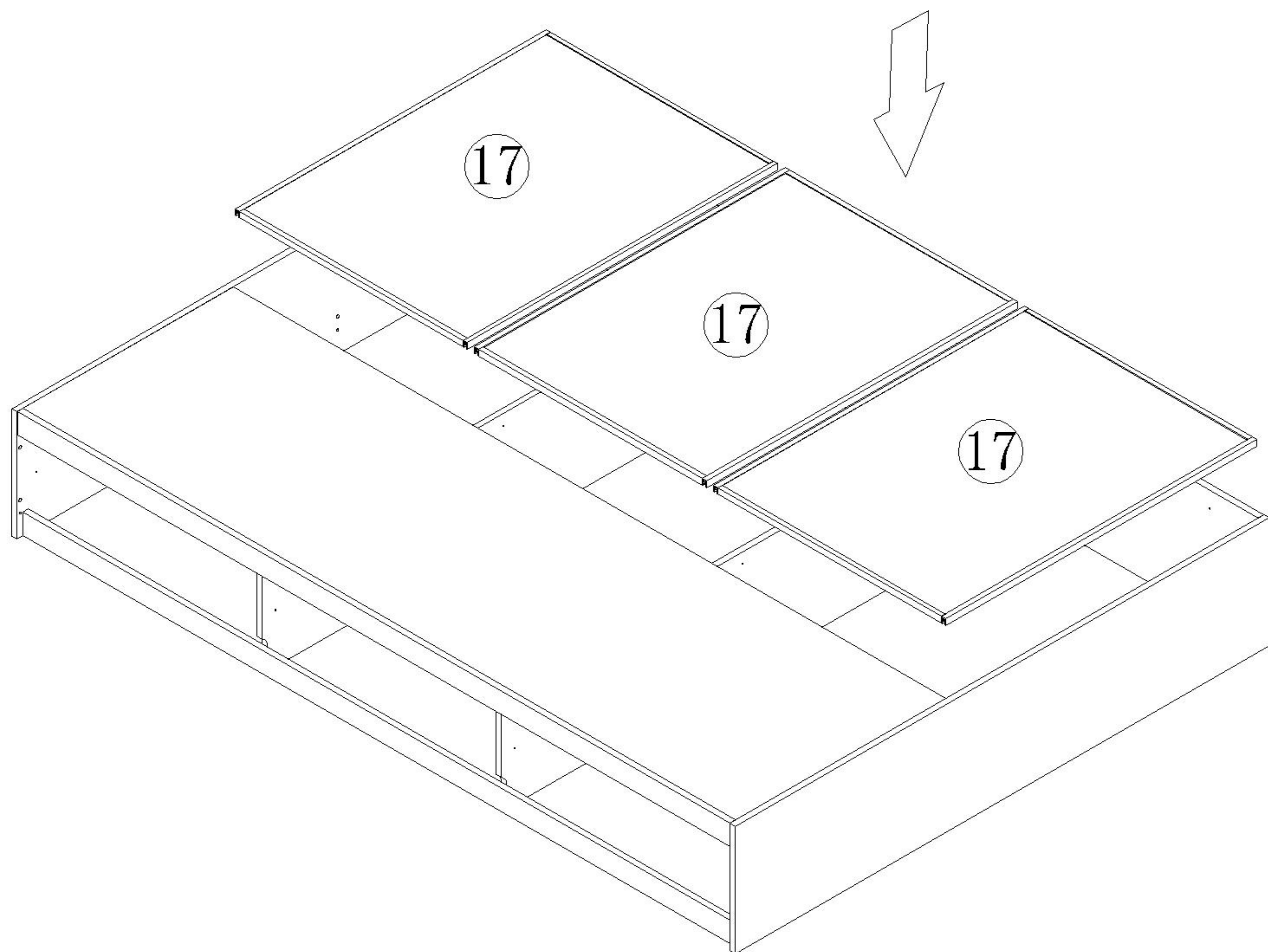
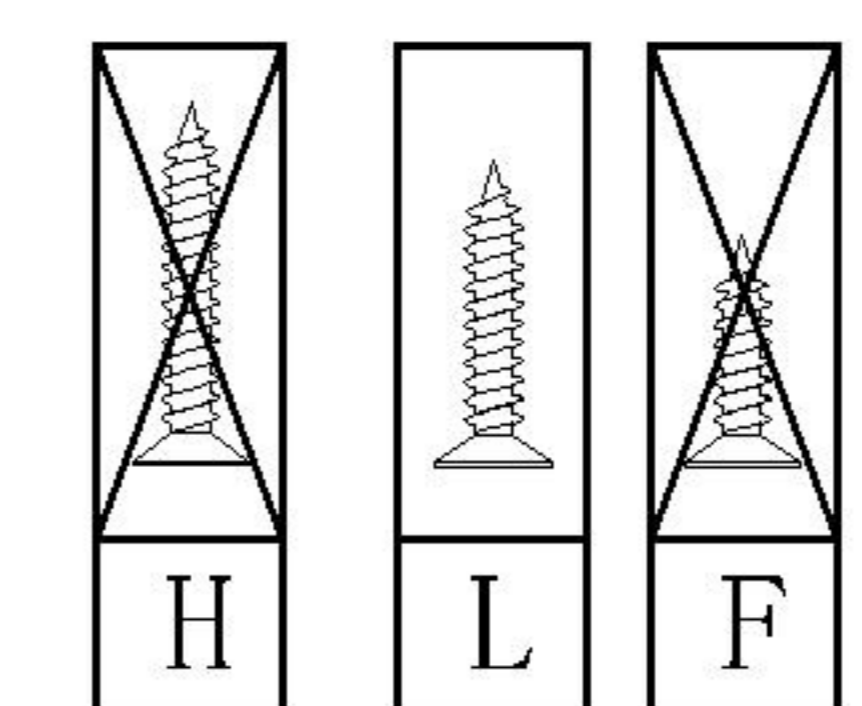
○
(C)*8
●
(D)*14
●
(E)*14



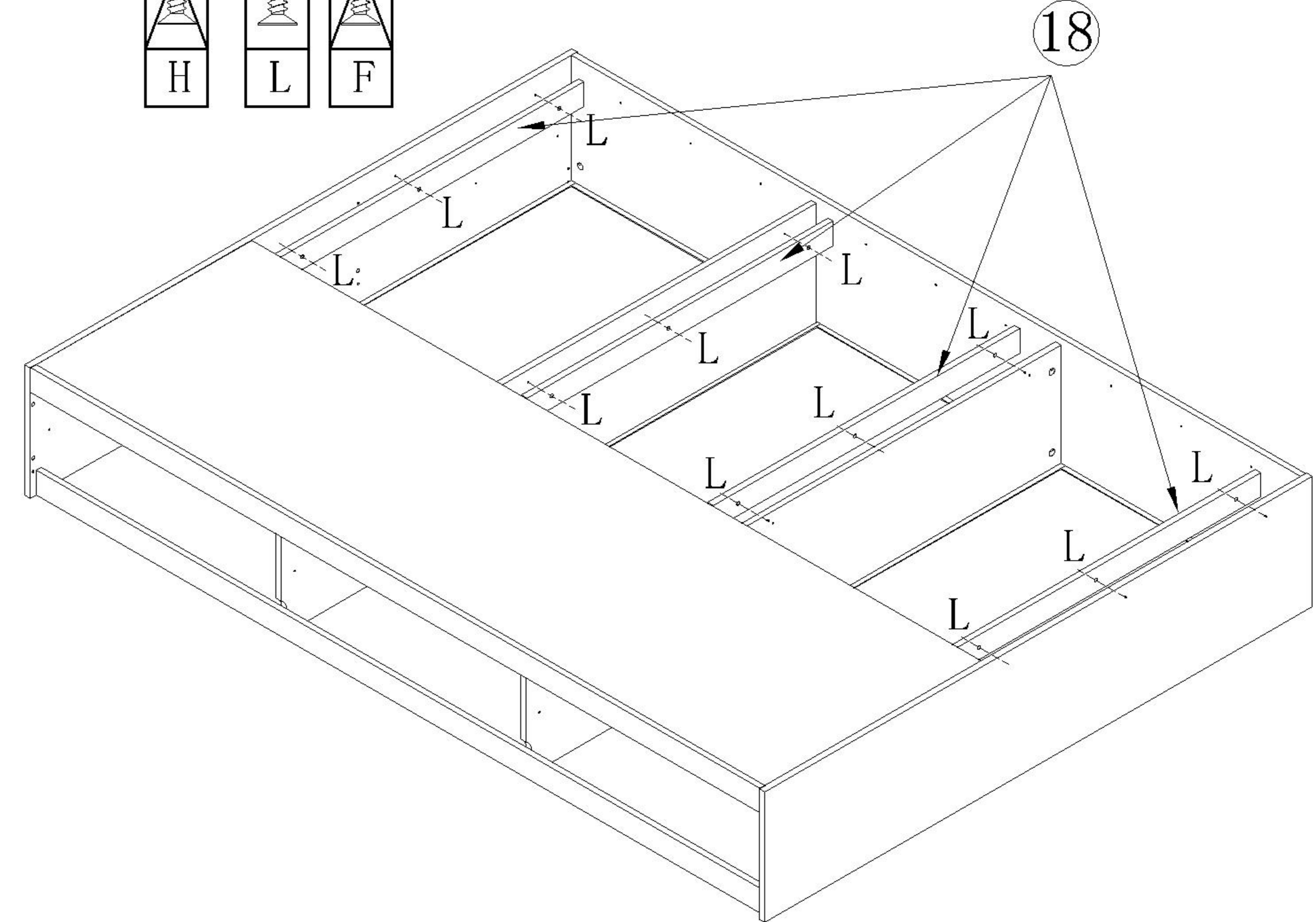
22

23

●
(L)*12

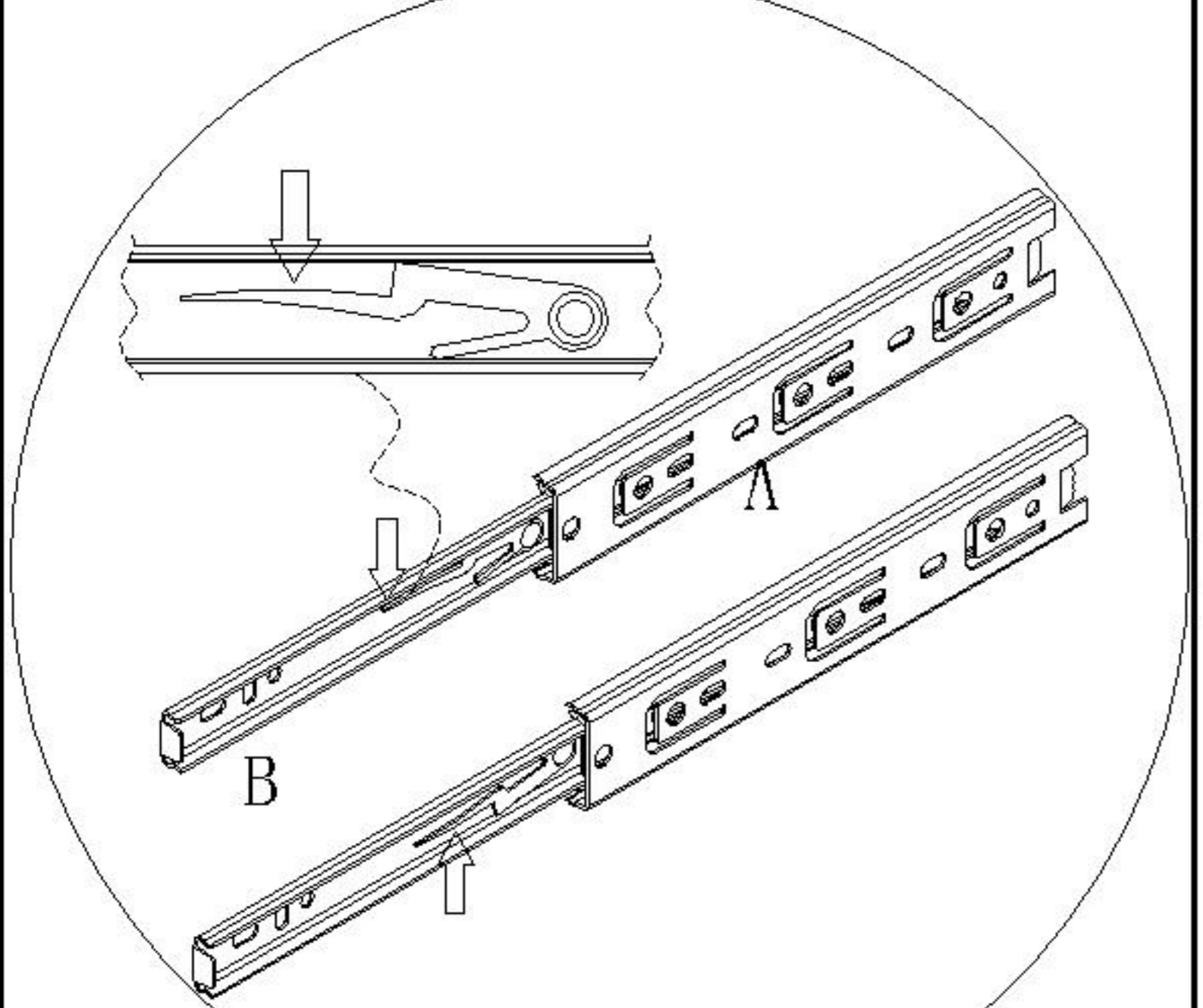


24

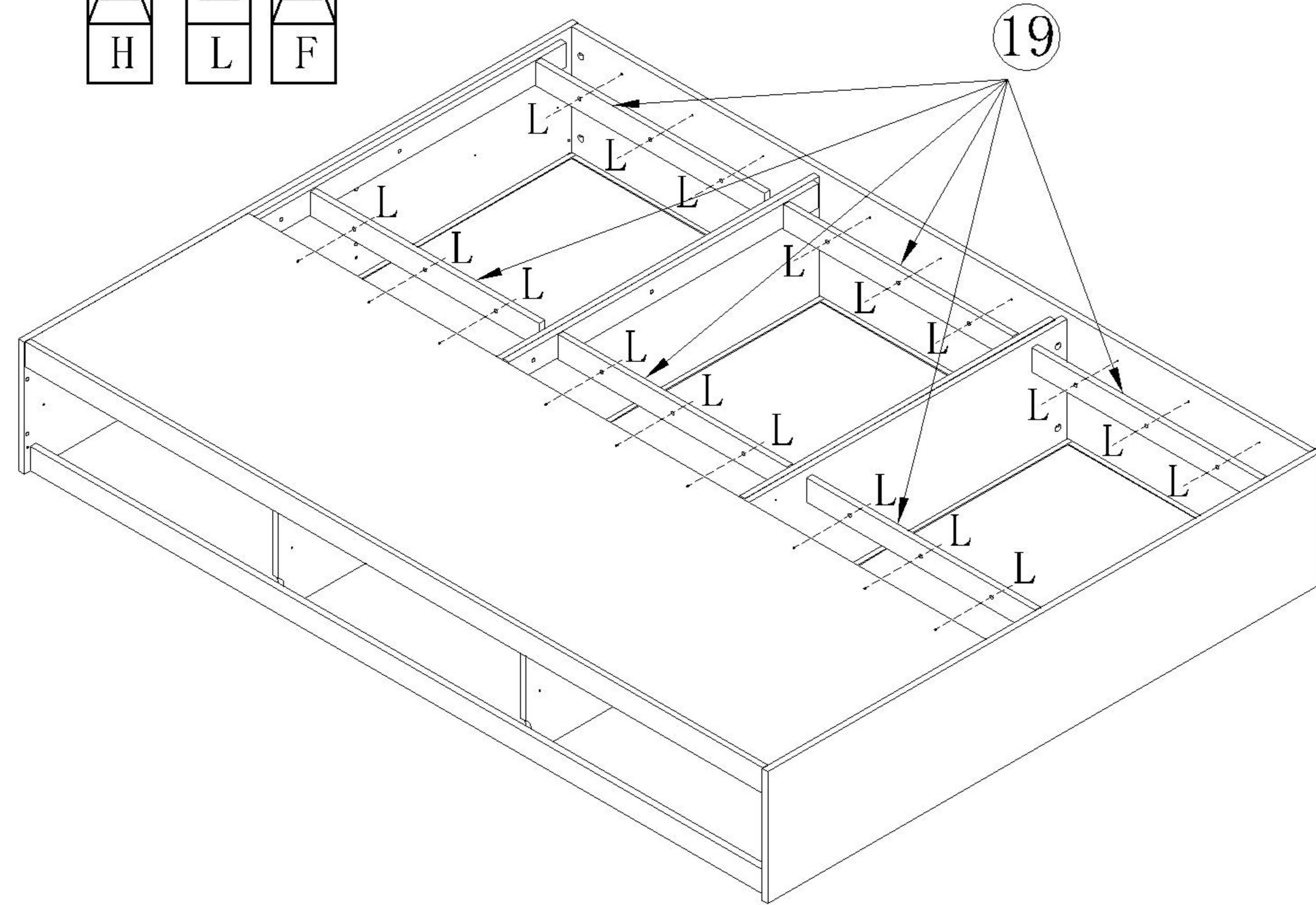
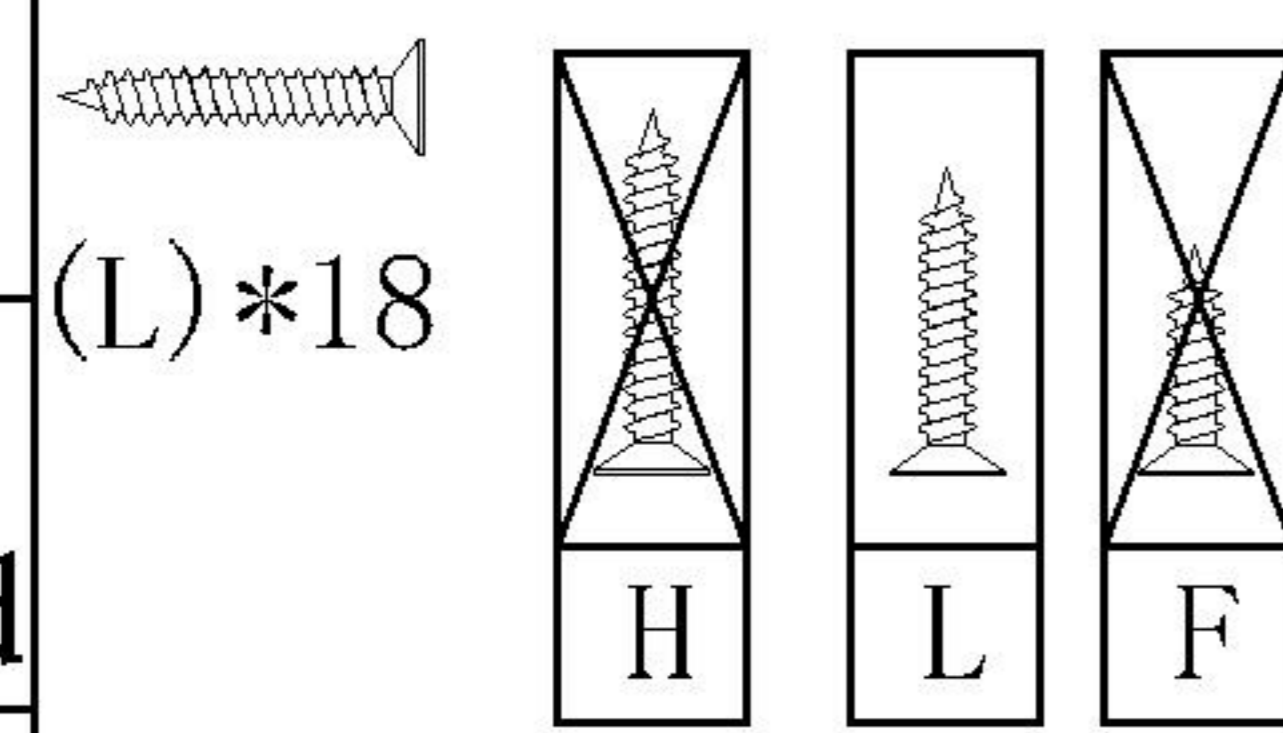
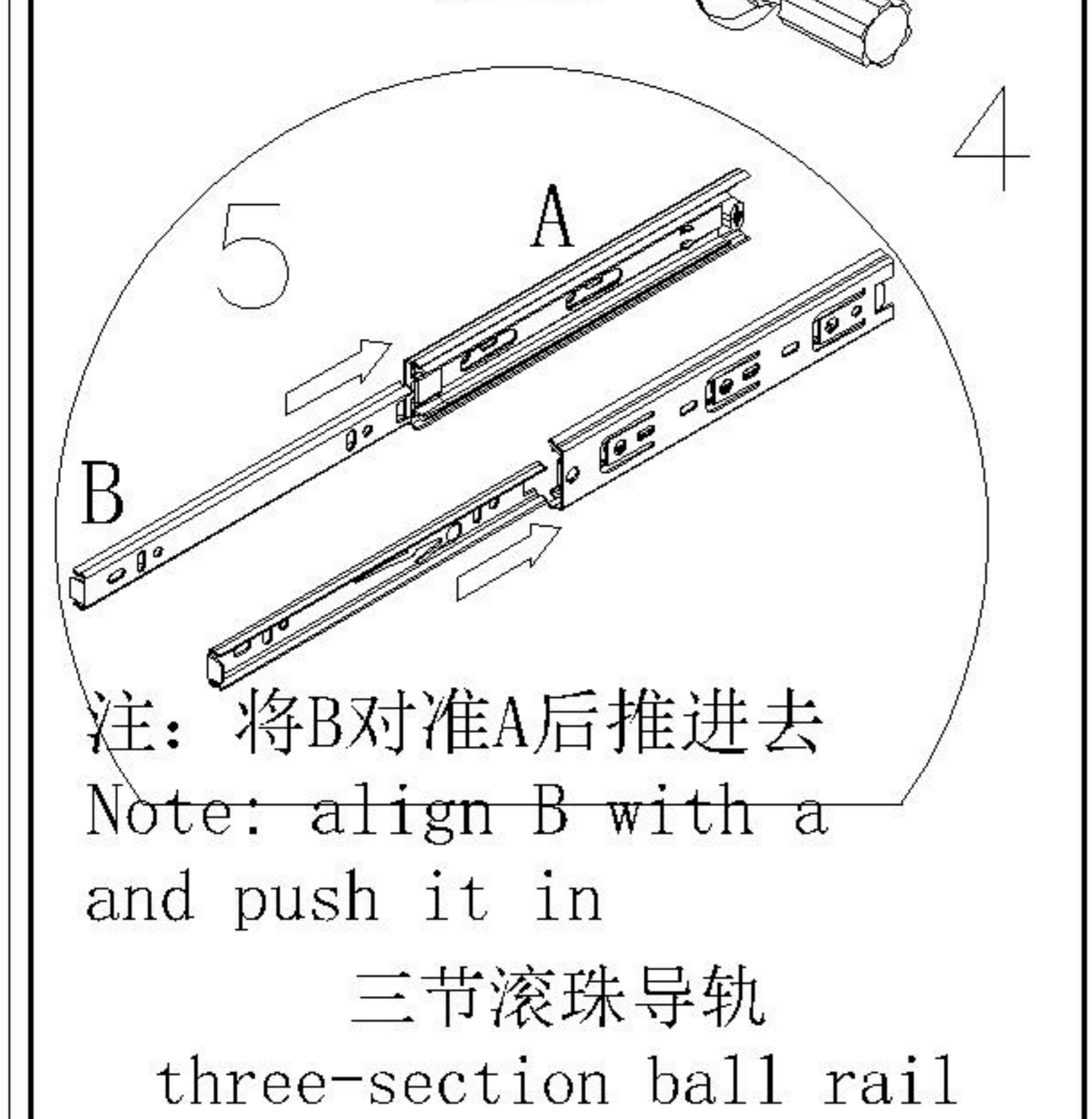
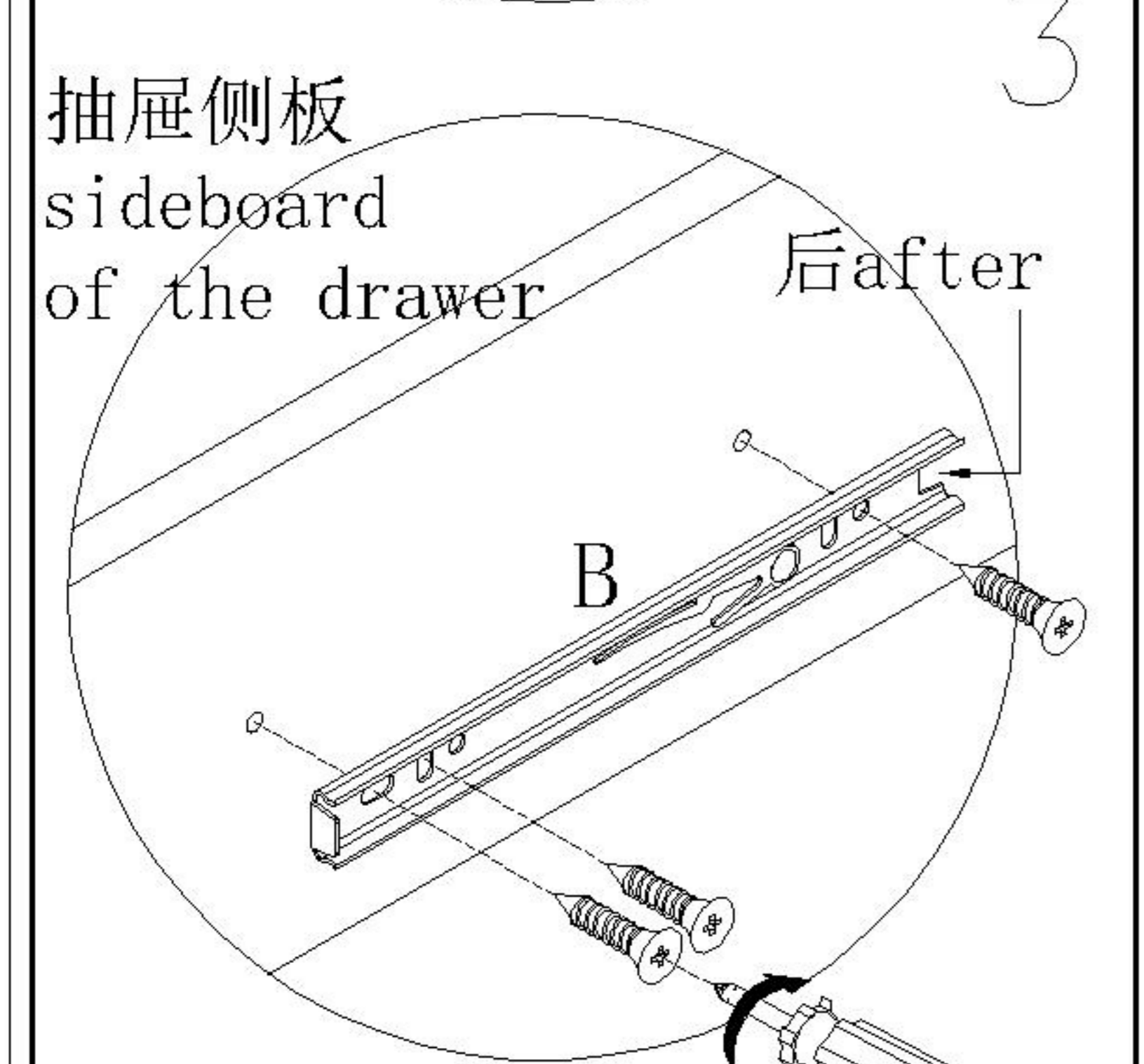
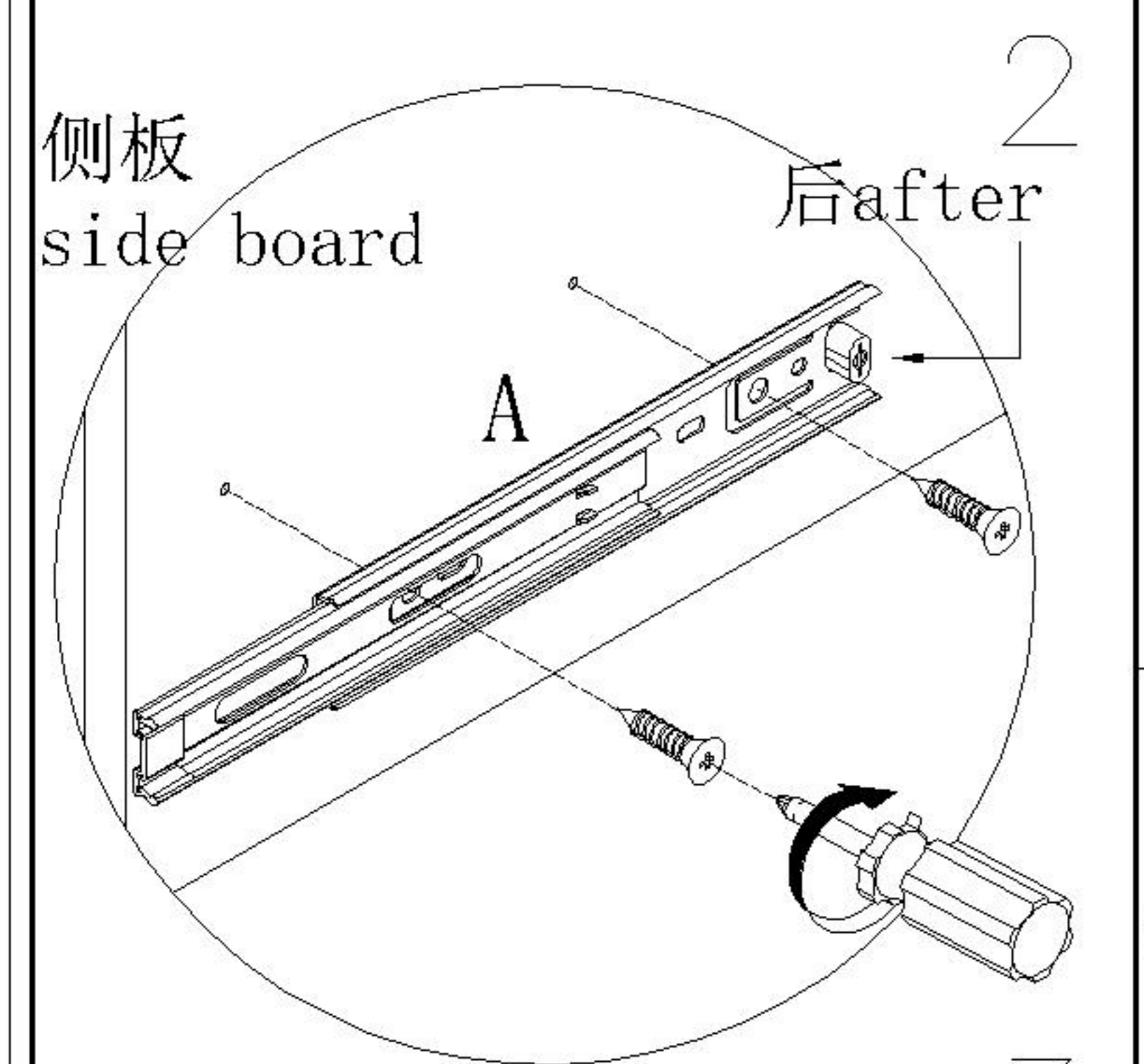


安装方法/
Installation method

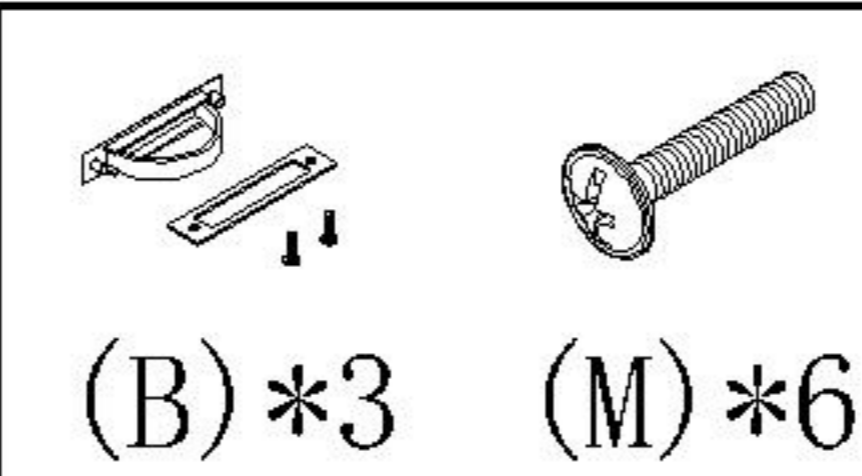
1
阀门开关(下压为开)
Valve switch
(press down to open)



注: 先将A与B拆下来
Note: remove a and B first

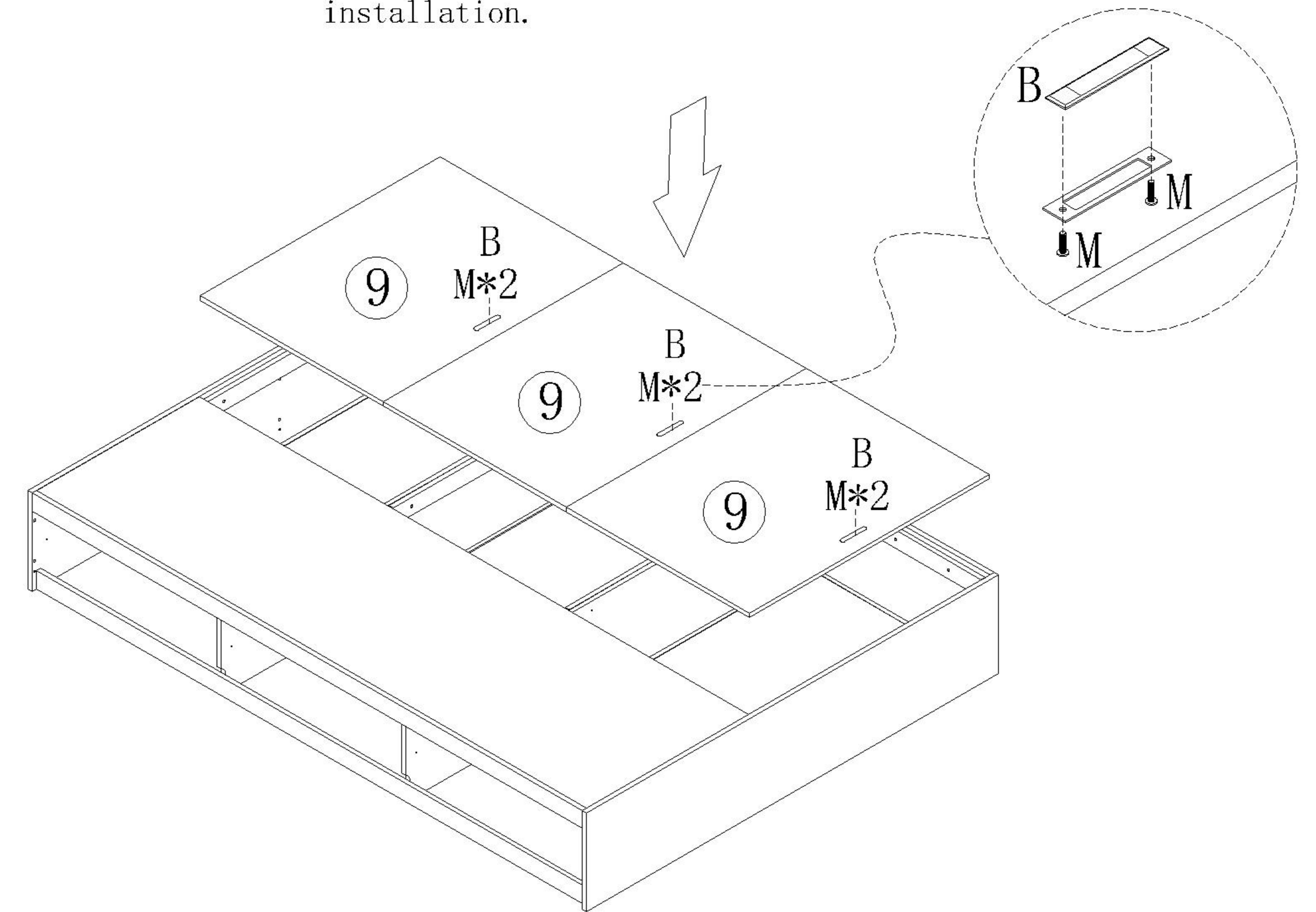


25

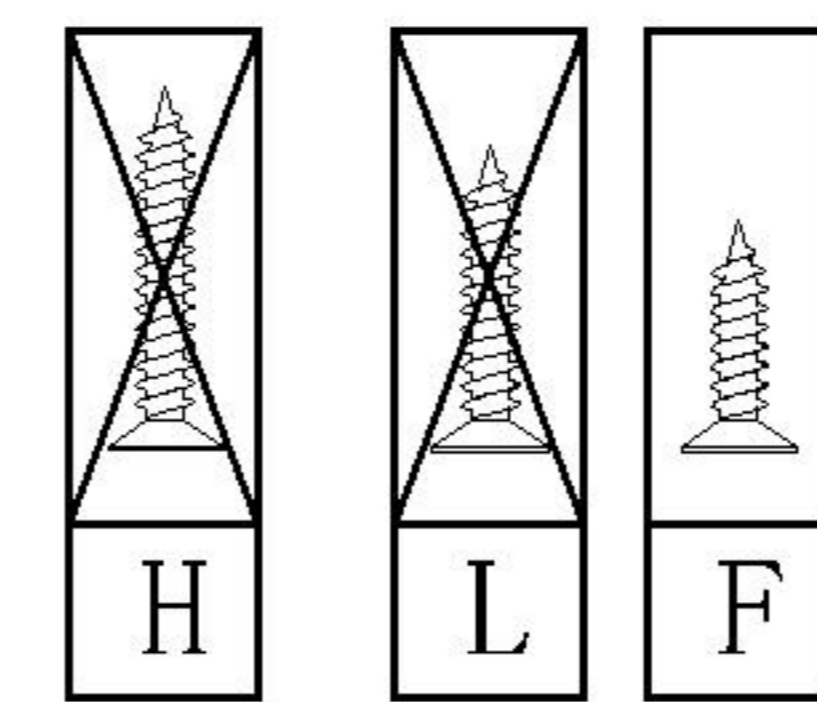
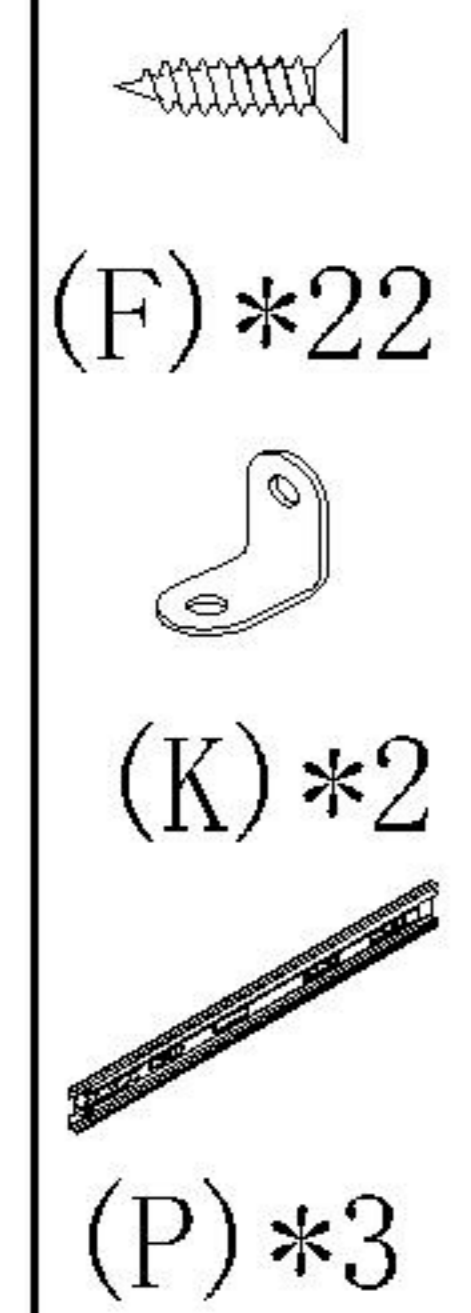


注意! 安装五金B时请勿使用五金B内拉手螺丝安装, 需使用五金M进行安装。

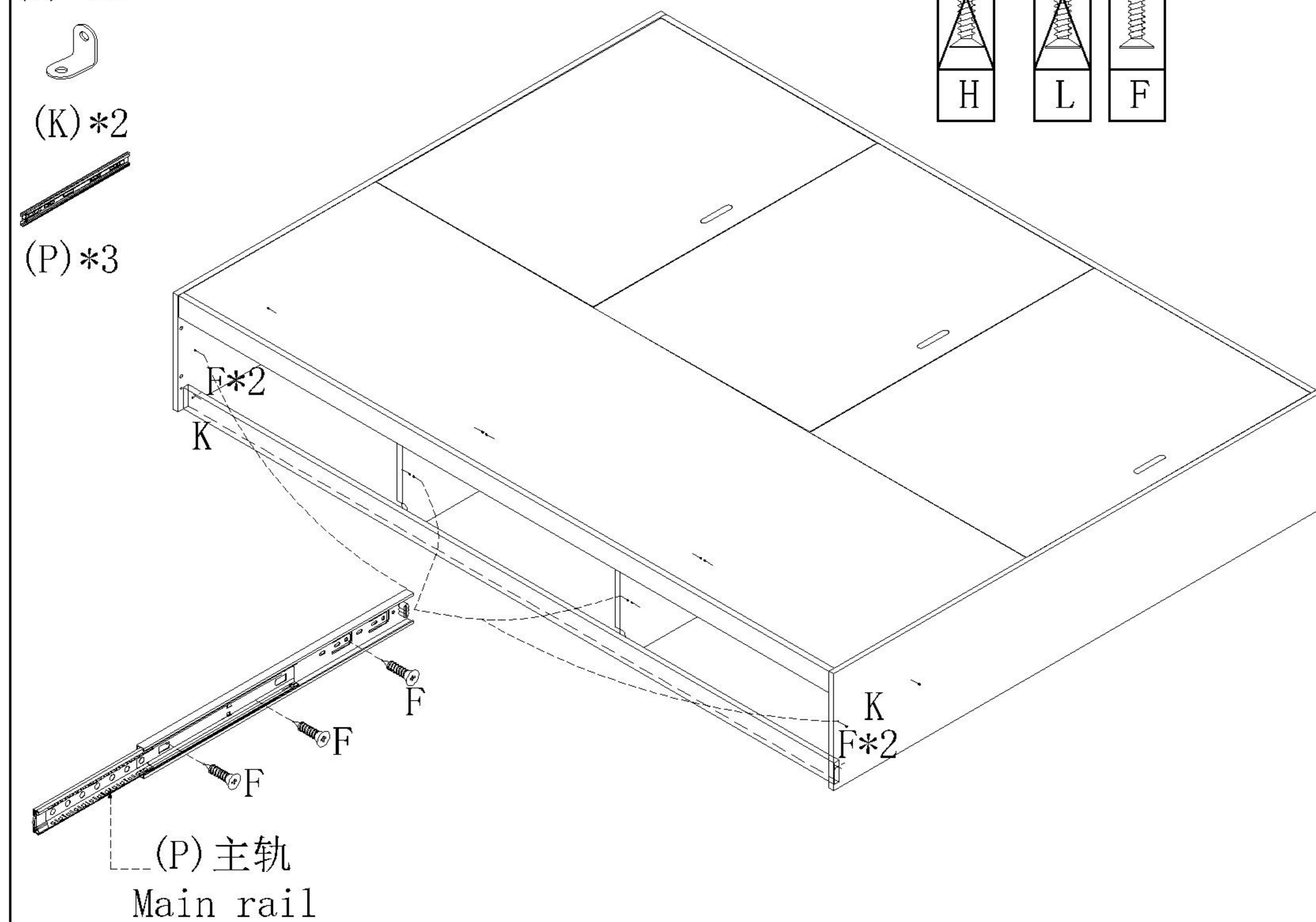
Attention! When installing hardware B, do not use the internal handle screws of hardware B for installation. Instead, use hardware M for installation.



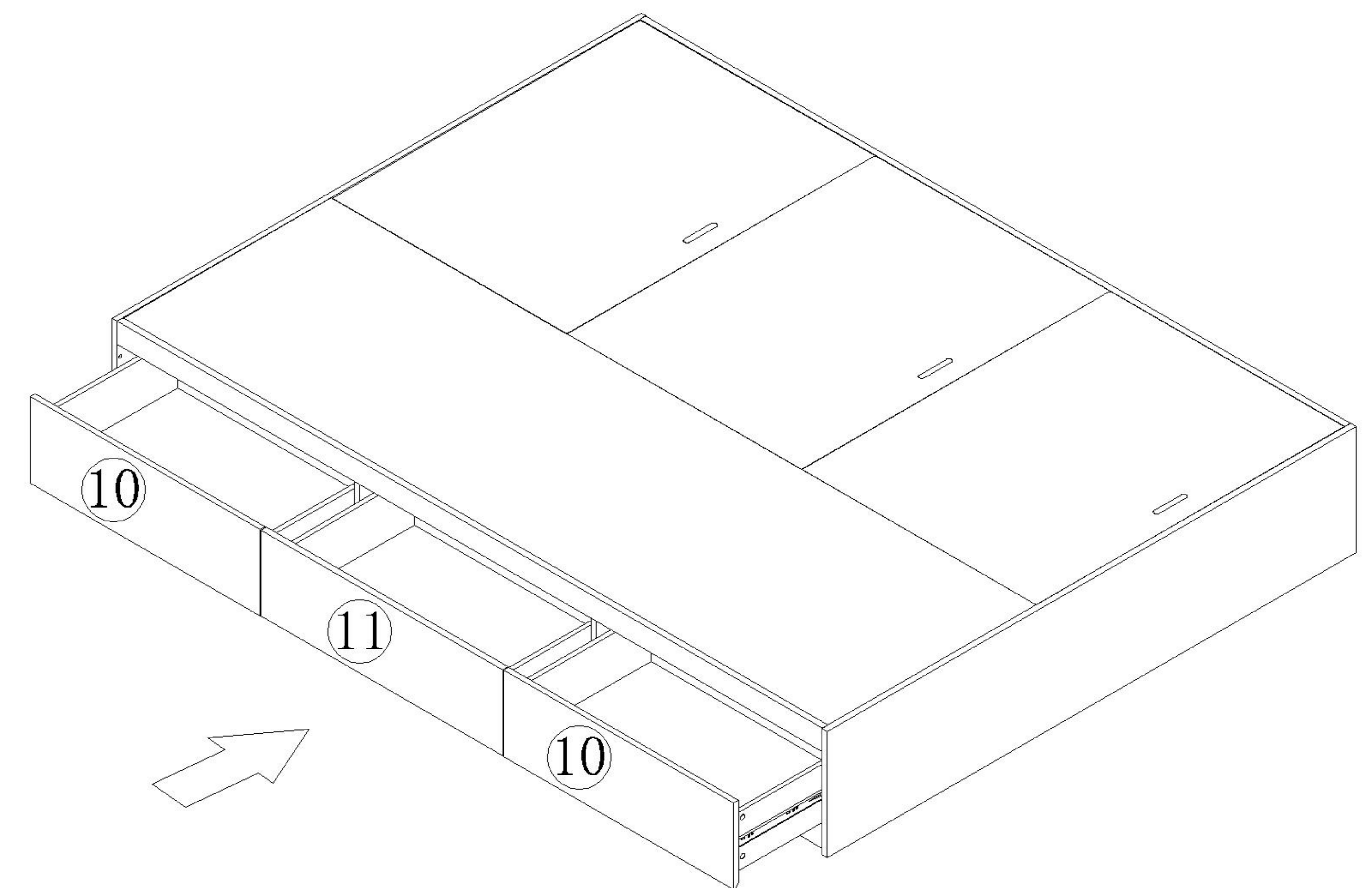
26



27



28



OV8A-C 矮床头款1.5米 安装完成
OV8A-C low headboard 1.5m installation completed