

安装示意图/Assembly Instruction

产品名称 Model NO.

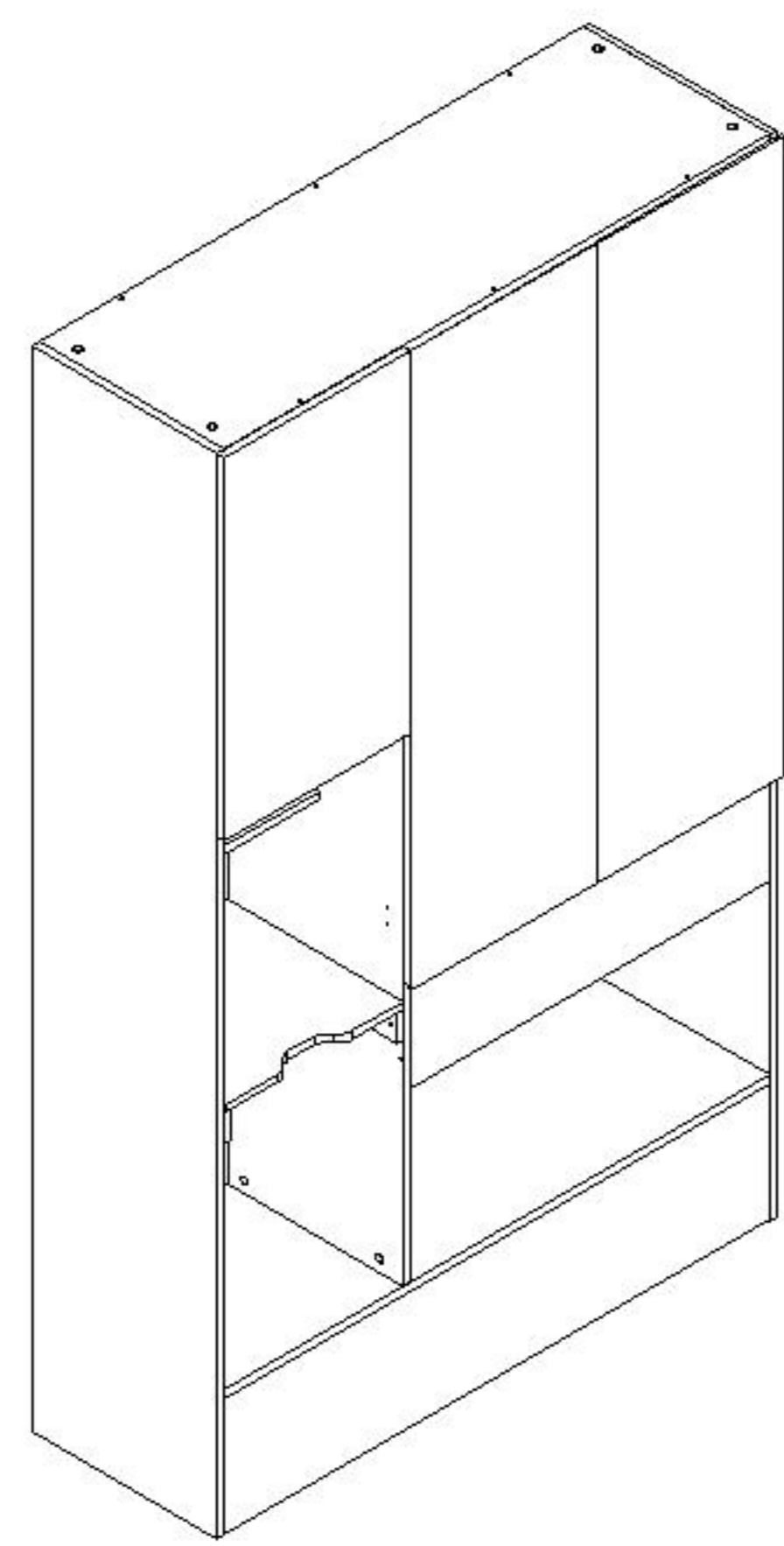
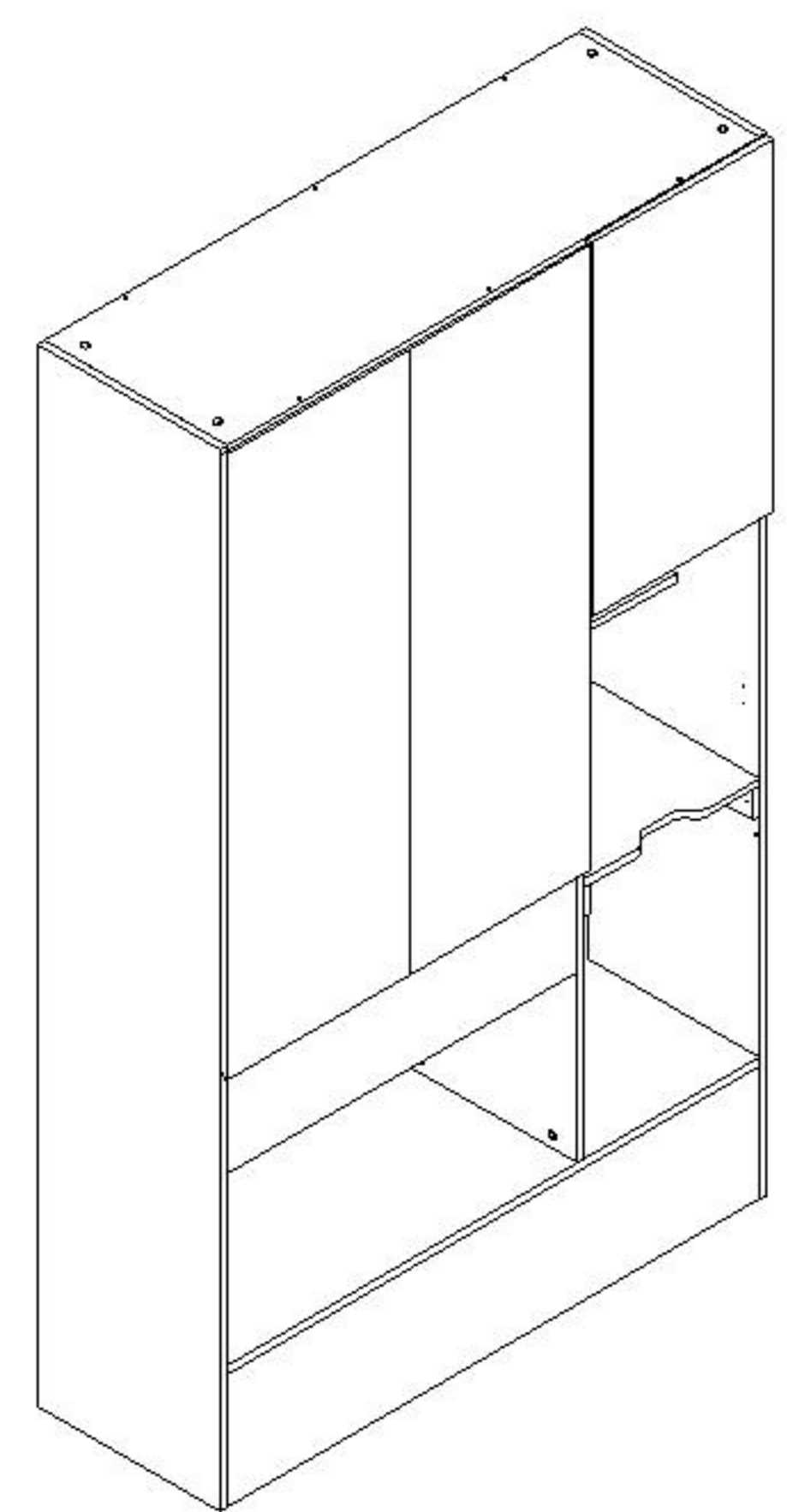
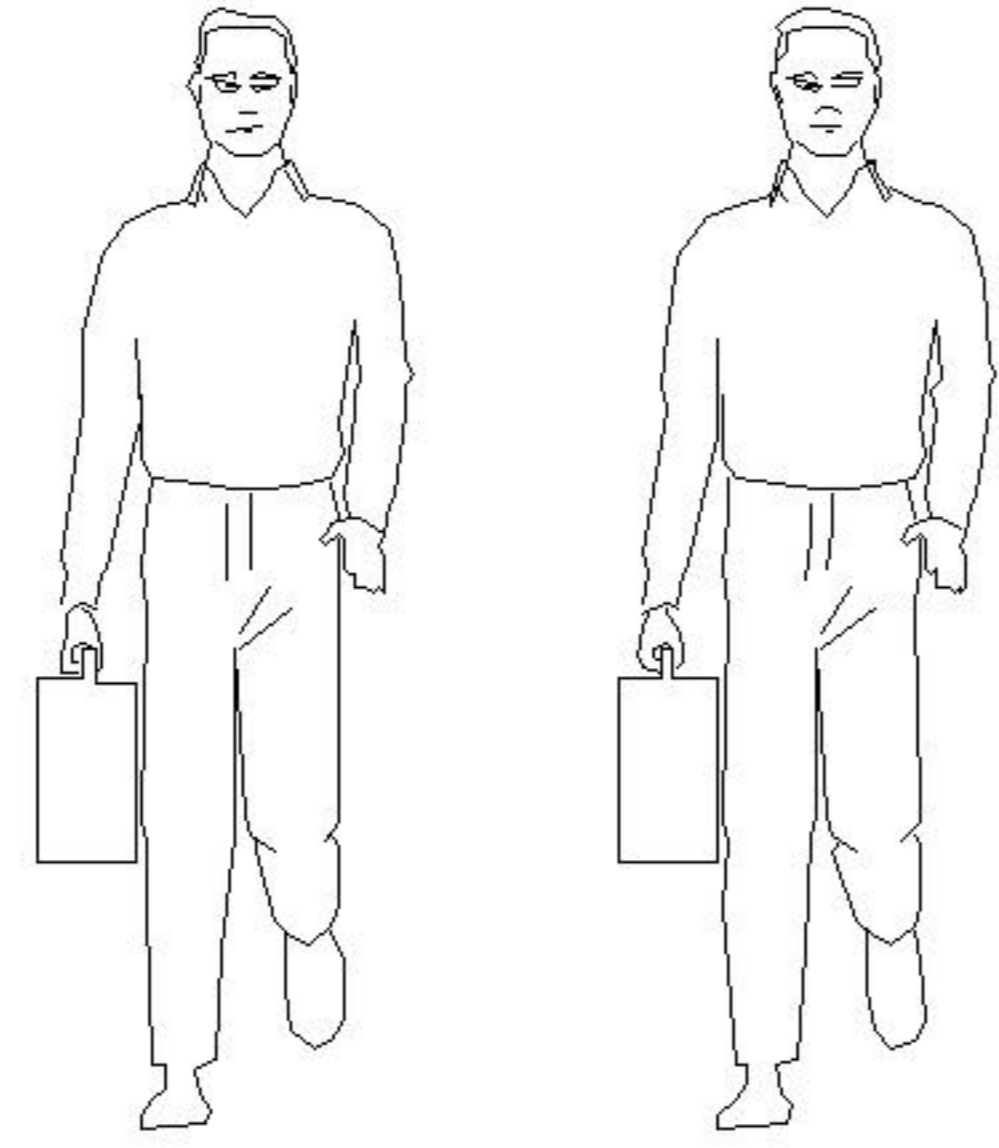
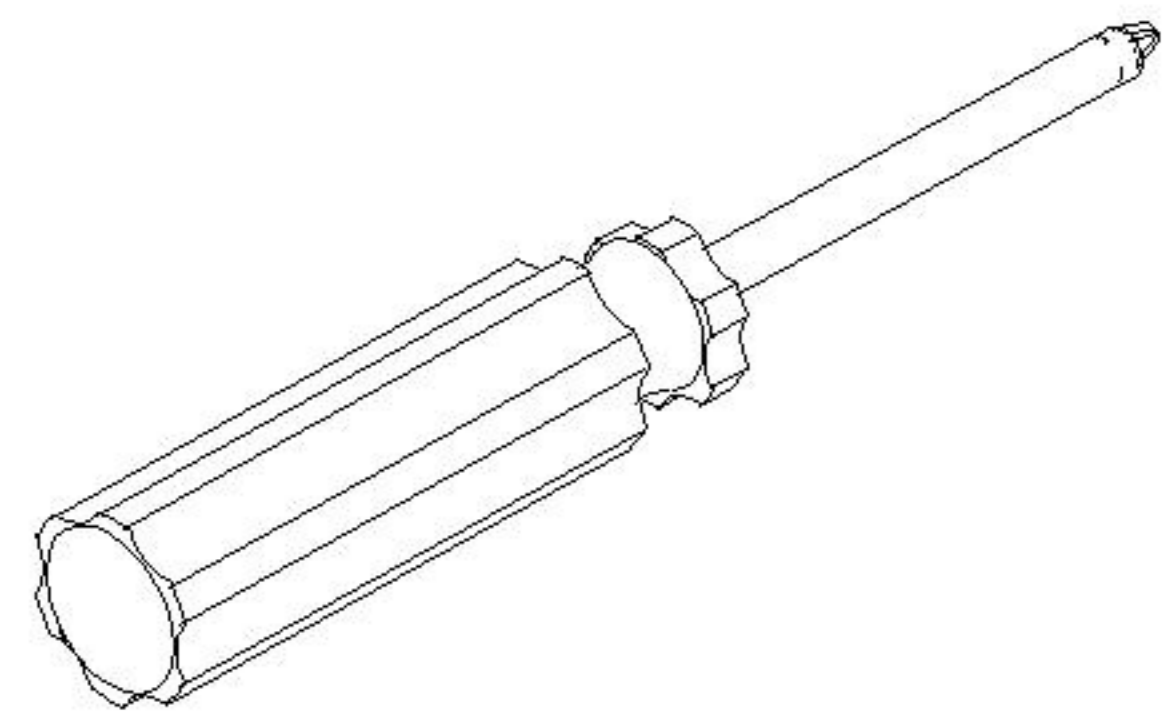
OV3G-C

产品规格 Specification

1198*413*2018mm

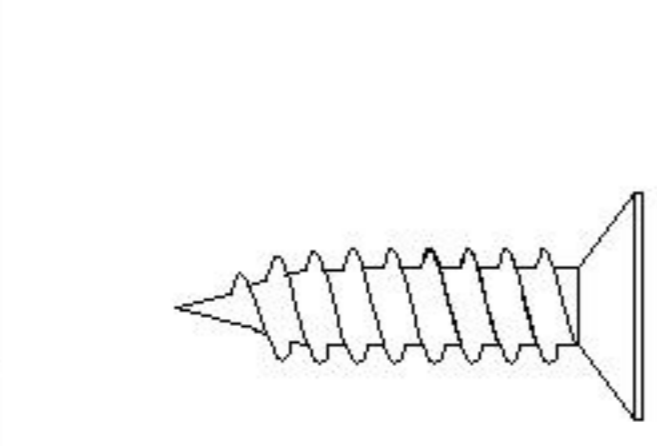
安装工具 Tool

安装人数 Installer



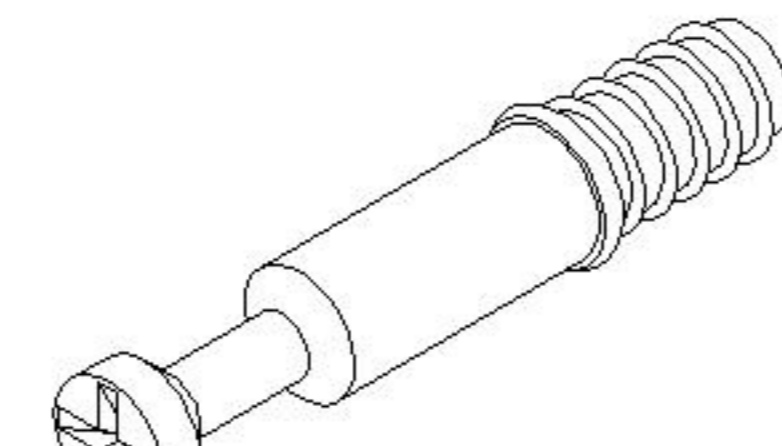
可左右安装

Interchangeable installation
left and right



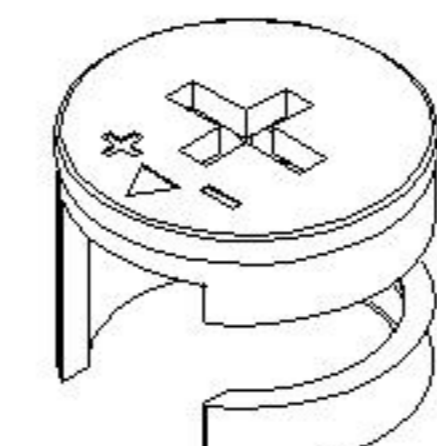
(A)*8

自攻螺丝M3.5*12
Tapping screw



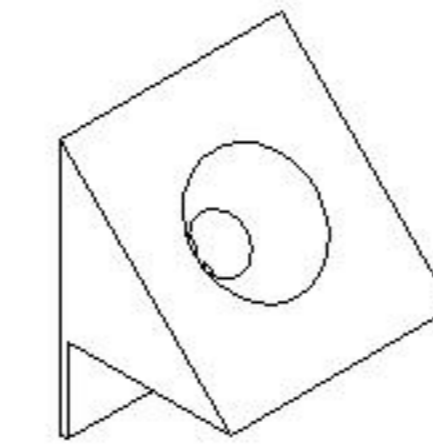
(B)*44

二合一螺杆
2-in-1-screw



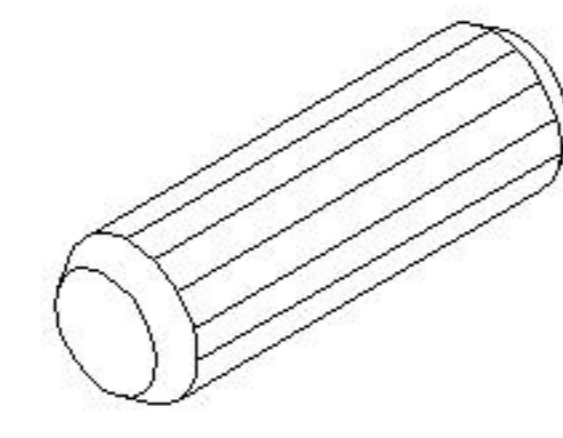
(C)*44

大三合一锁饼
3-in-1 large lock



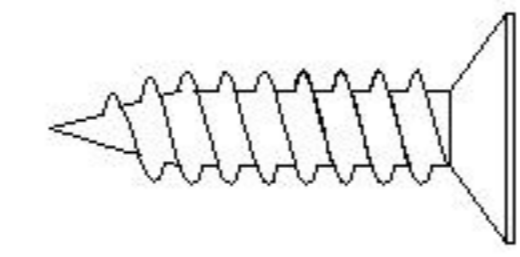
(D)*17

背板扣
White buckle



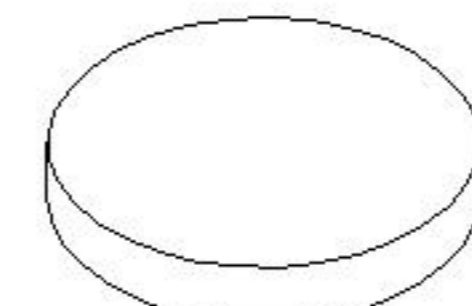
(E)*13

木榫-(∅8*30mm)
Wood tenon



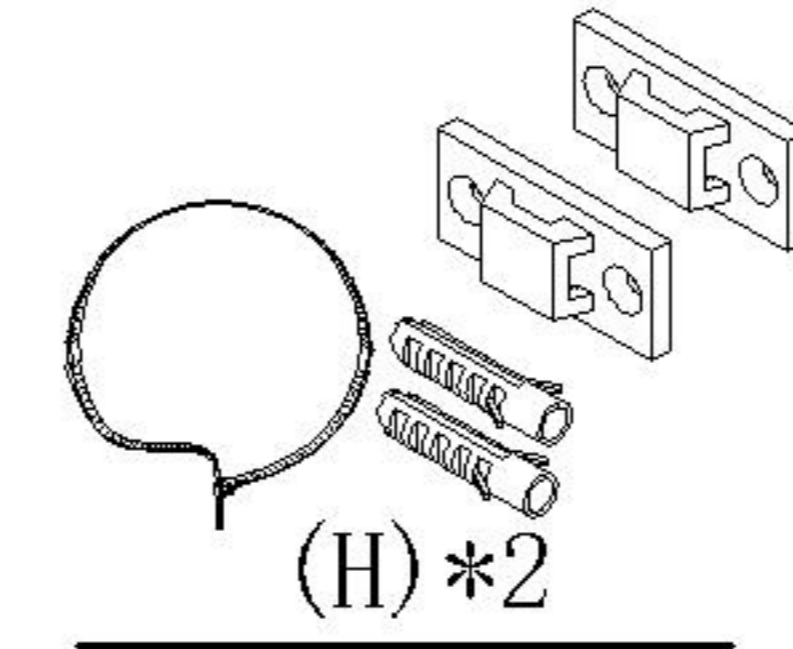
(F)*17

自攻螺丝M3.5*16
Tapping screw



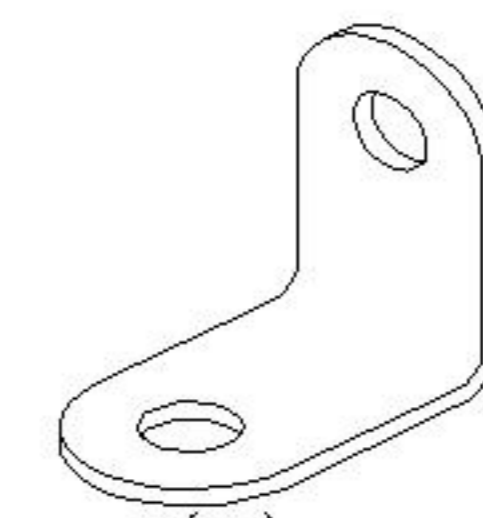
(G)*8

脚垫-灰色毛毡
Foot pad



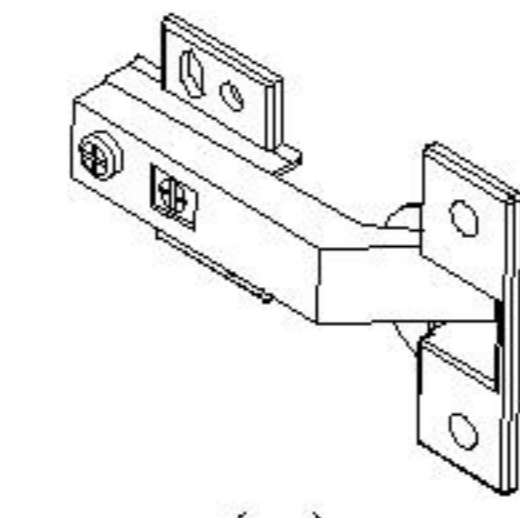
(H)*2

家具防倒器白色
Anti-fall device



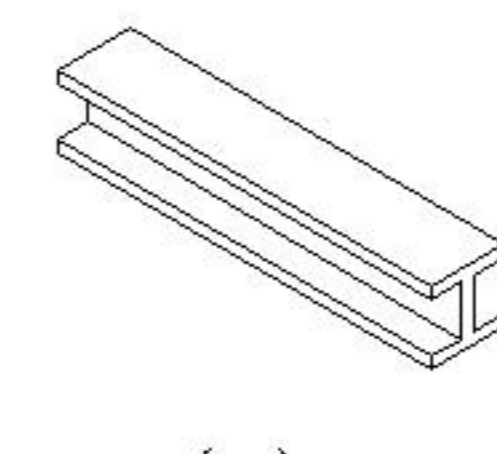
(I)*2

小角码
Small bracket



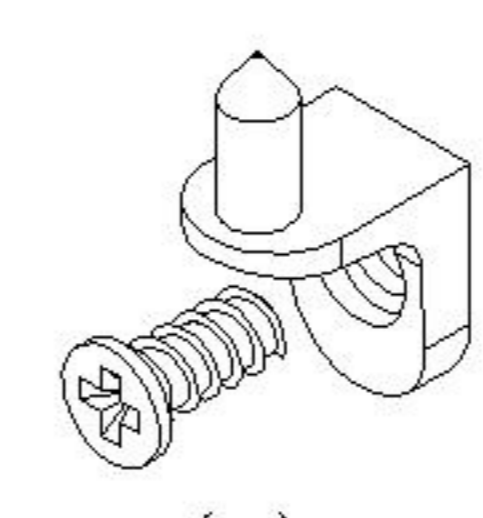
(J)*8

缓冲门铰直弯-杯径∅35
Straight bend hinge



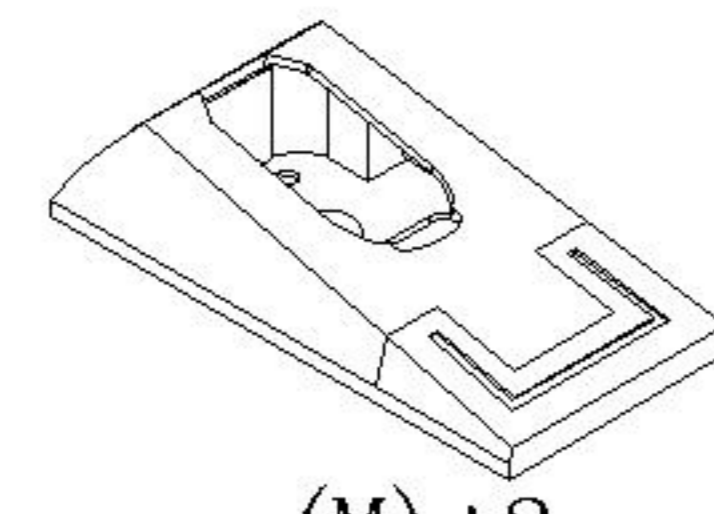
(K)*1

夹板条L-1730
White splint strip



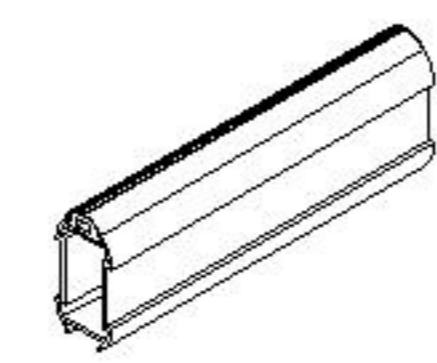
(L)*4

层板托5mm
shelf support



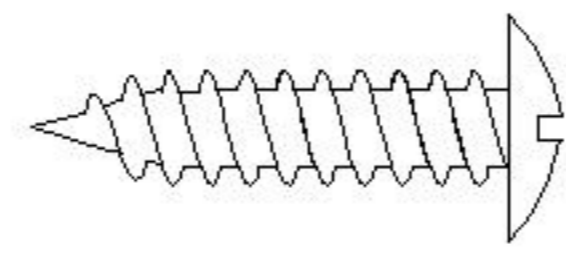
(M)*2

挂衣托
Clothes hanger



(N)*1

挂衣杆L=758mm
Clothes rail



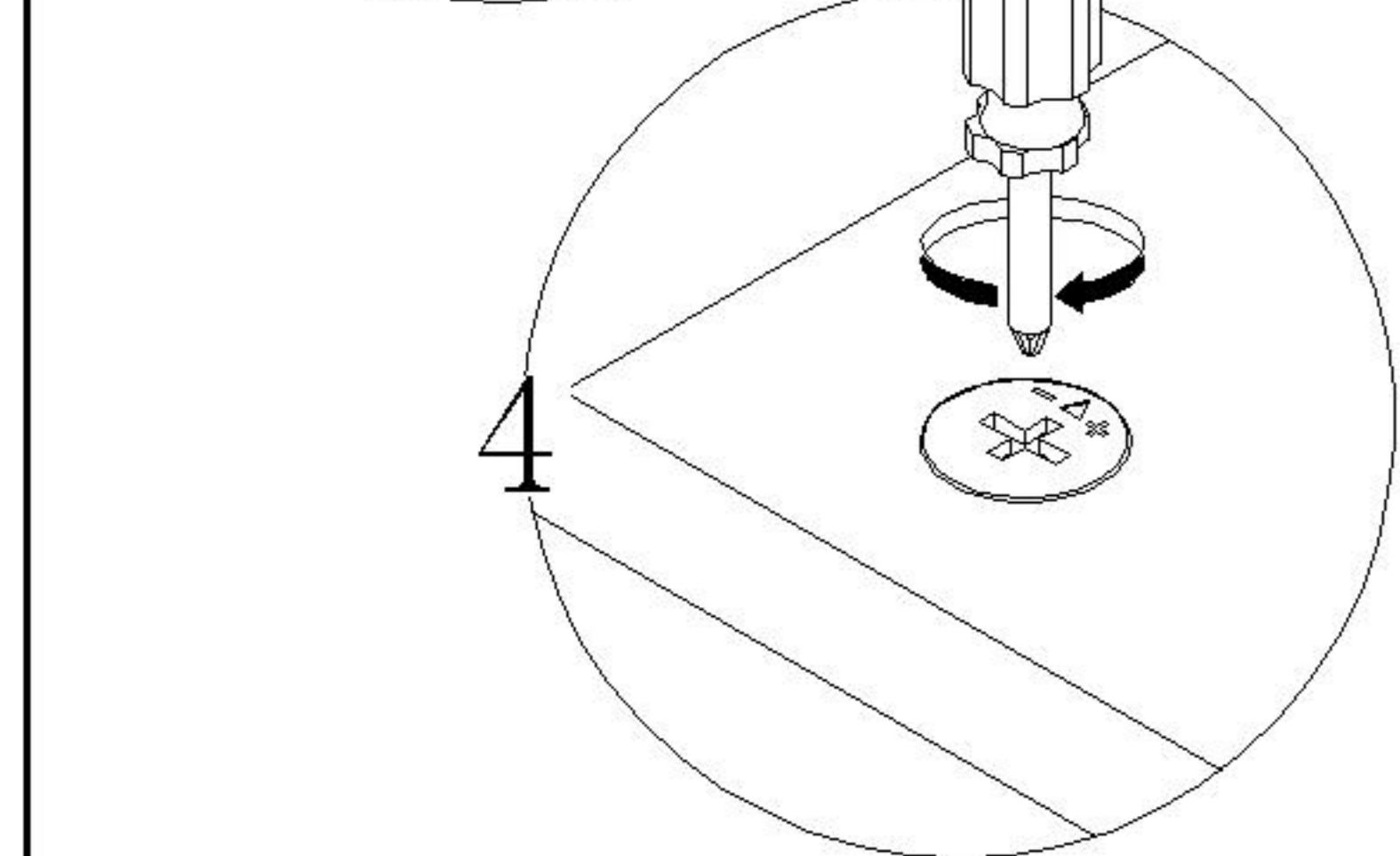
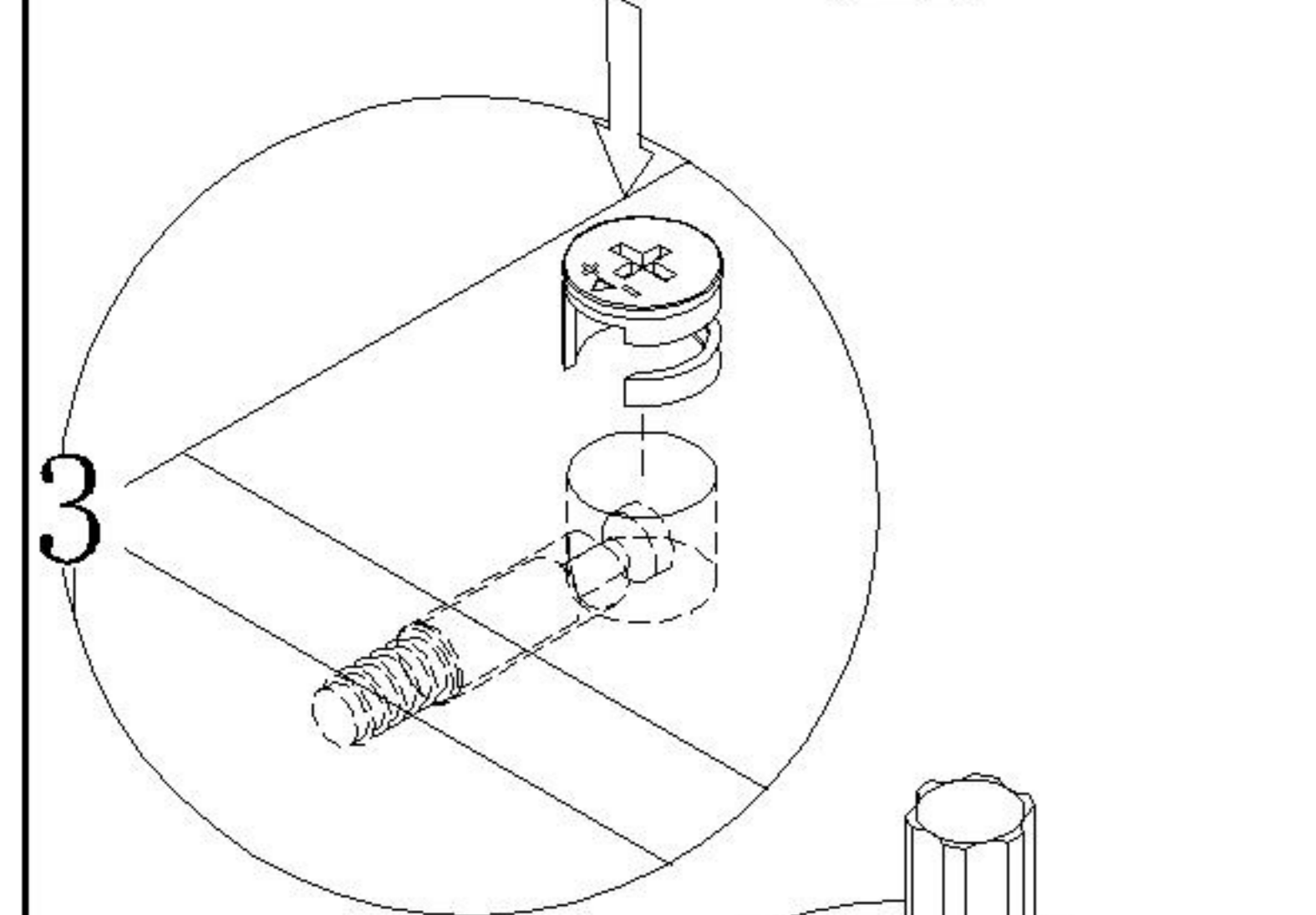
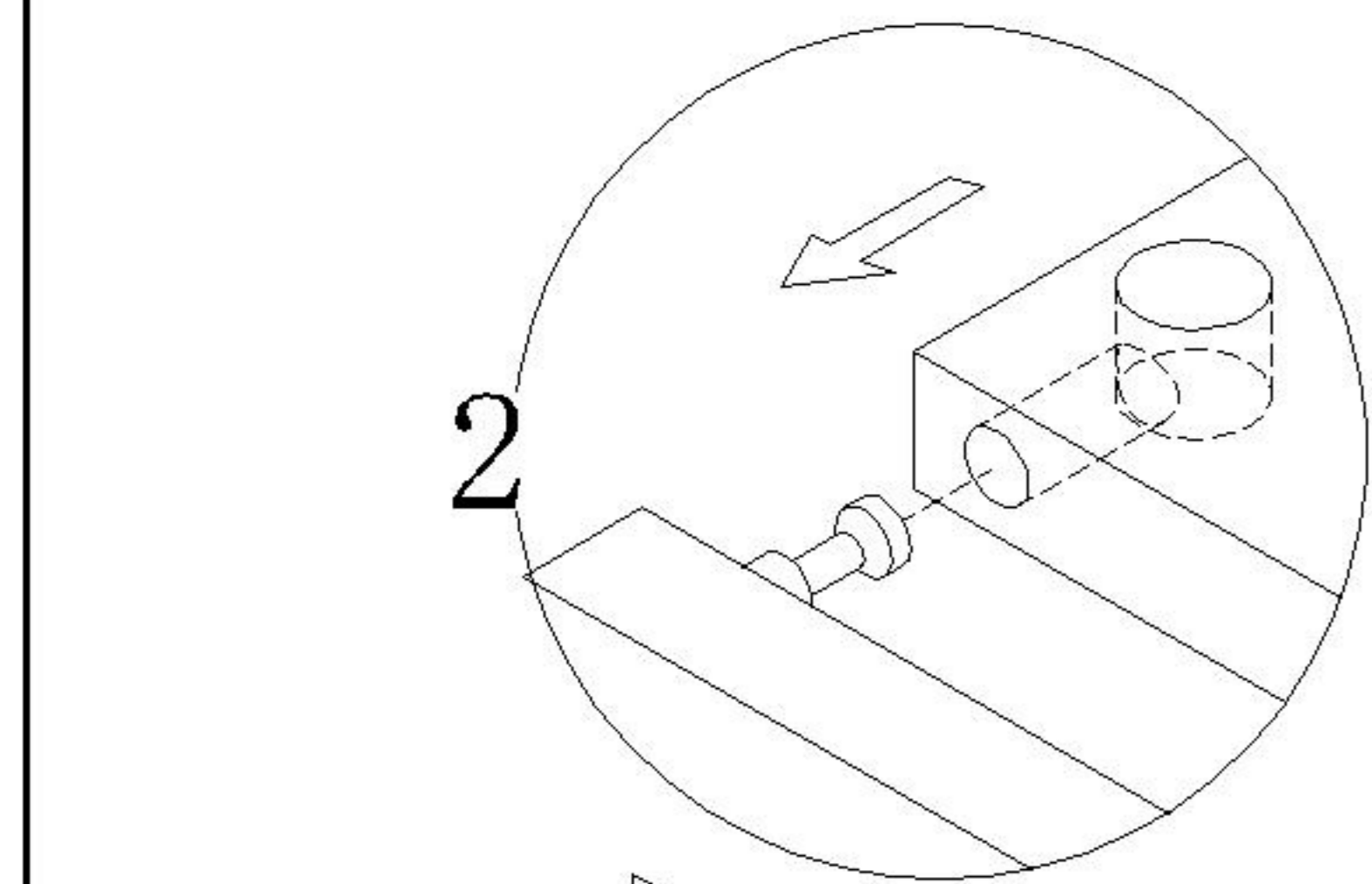
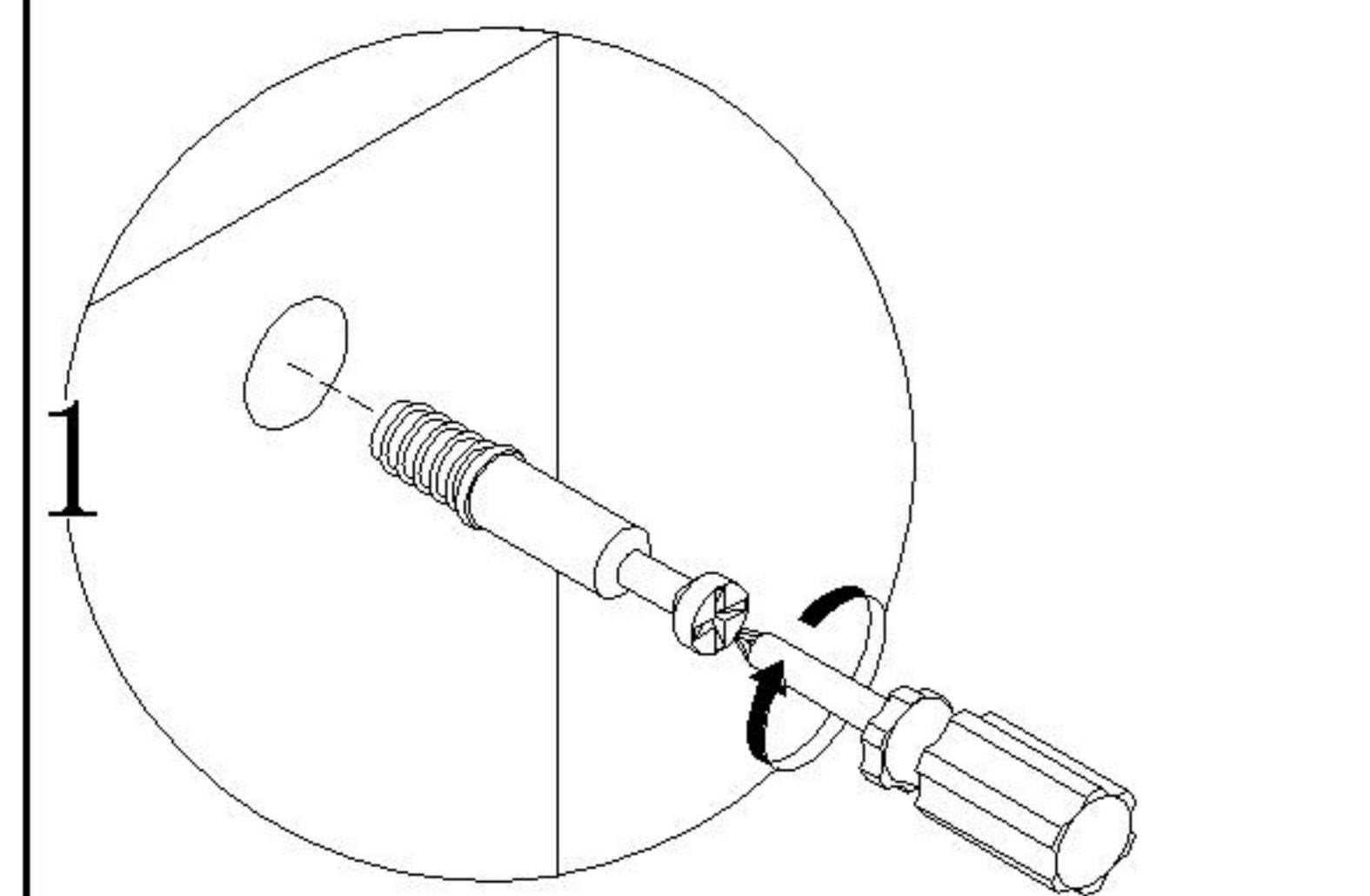
(O)*6

自攻大扁M4*25
Flat head tapping screw

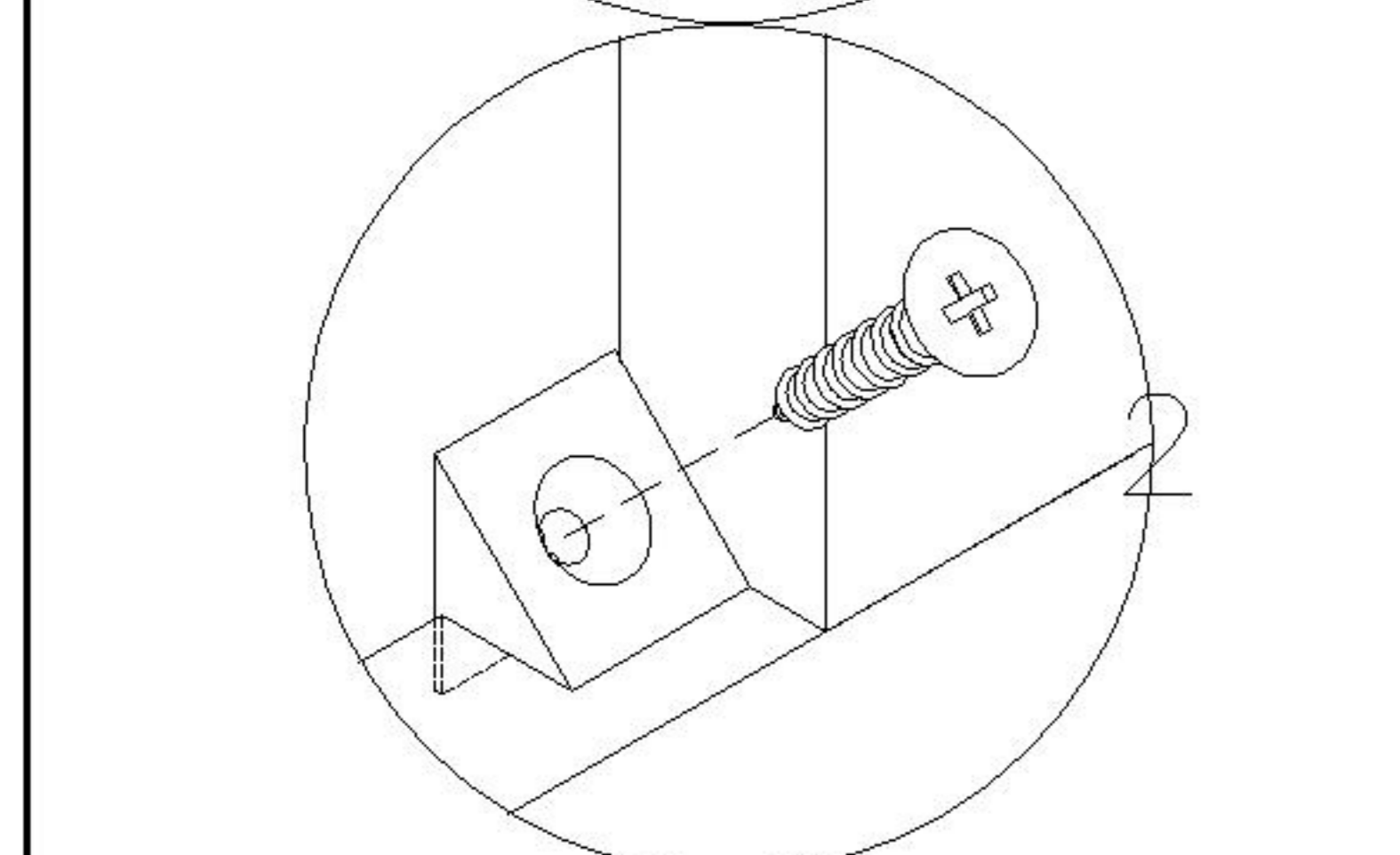
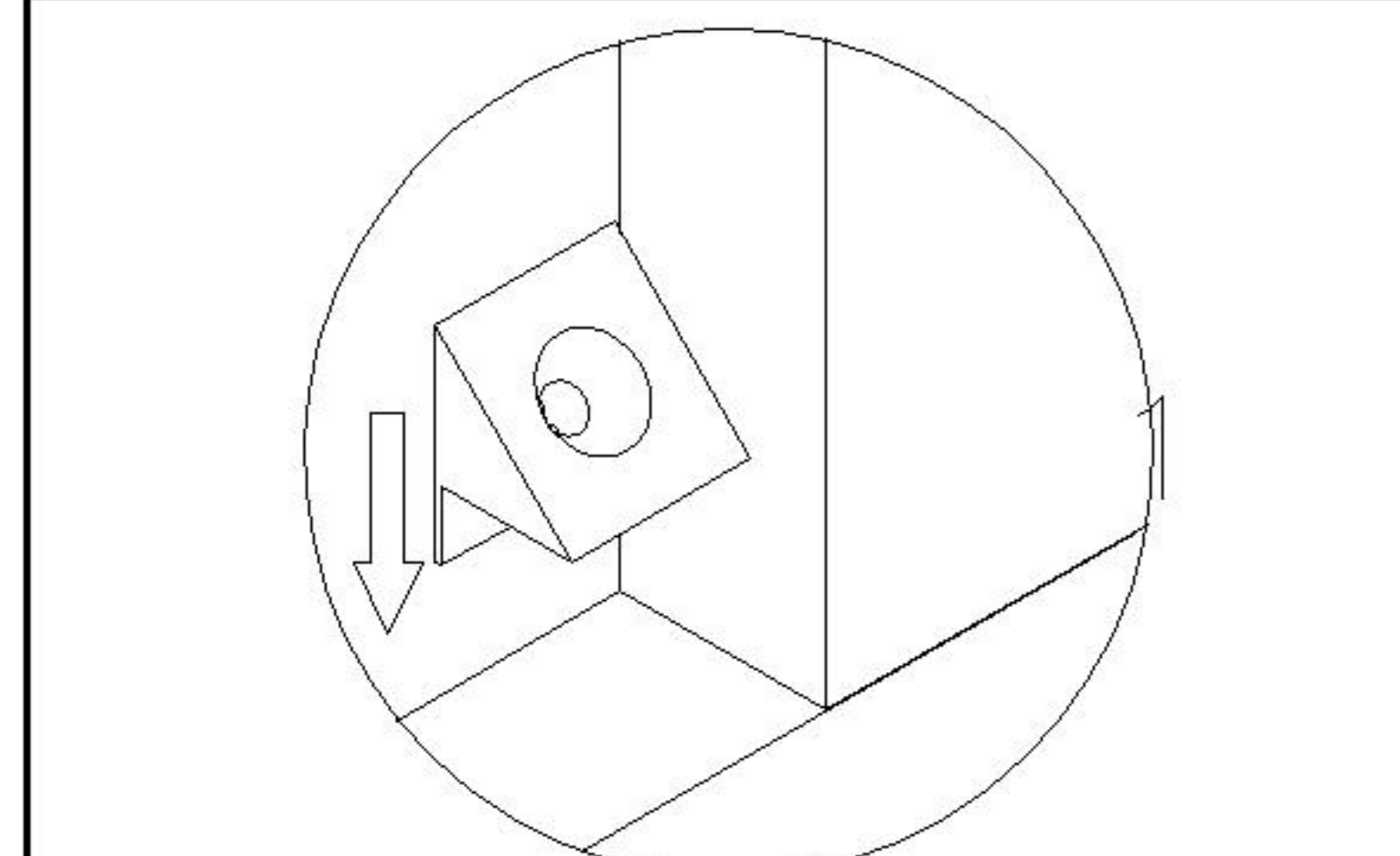
编号NO.	名称Name	规格 (MM) Specification	数量QTY	材质Material
1	顶板Top board	1168*398*15	1	人造板 WBP
2	底板Bottom board	1168*398*15	1	人造板 WBP
3	左侧板Side board(L)	2015*398*15	1	人造板 WBP
4	右侧板Side board(R)	2015*398*15	1	人造板 WBP
5	中侧板Middle side board	1731*398*15	1	人造板 WBP
6	前板Header board	768*212*15	1	人造板 WBP
7	底拉条Bottom brace	1168*254*15	2	人造板 WBP
8	长活动层板Long movable shelf	767*376*15	1	人造板 WBP
9	下活动层板Lower movable shelf	385*376*15	1	人造板 WBP
10	固定层板Fixed shelf	385*376*15	2	人造板 WBP
11	小层板Small shelf	385*194*15	1	人造板 WBP
12	侧垫条Side strut	376*58*15	2	人造板 WBP
13	小背板Small backboard	1741*387*5	2	人造板 WBP
14	大背板Big backboard	1741*393*5	1	人造板 WBP
15	长门板Long door panel	1188*398*15	2	人造板 WBP
16	短门板Short door panel	708*398*15	1	人造板 WBP

OV3G-C

安装方法/
Installation method

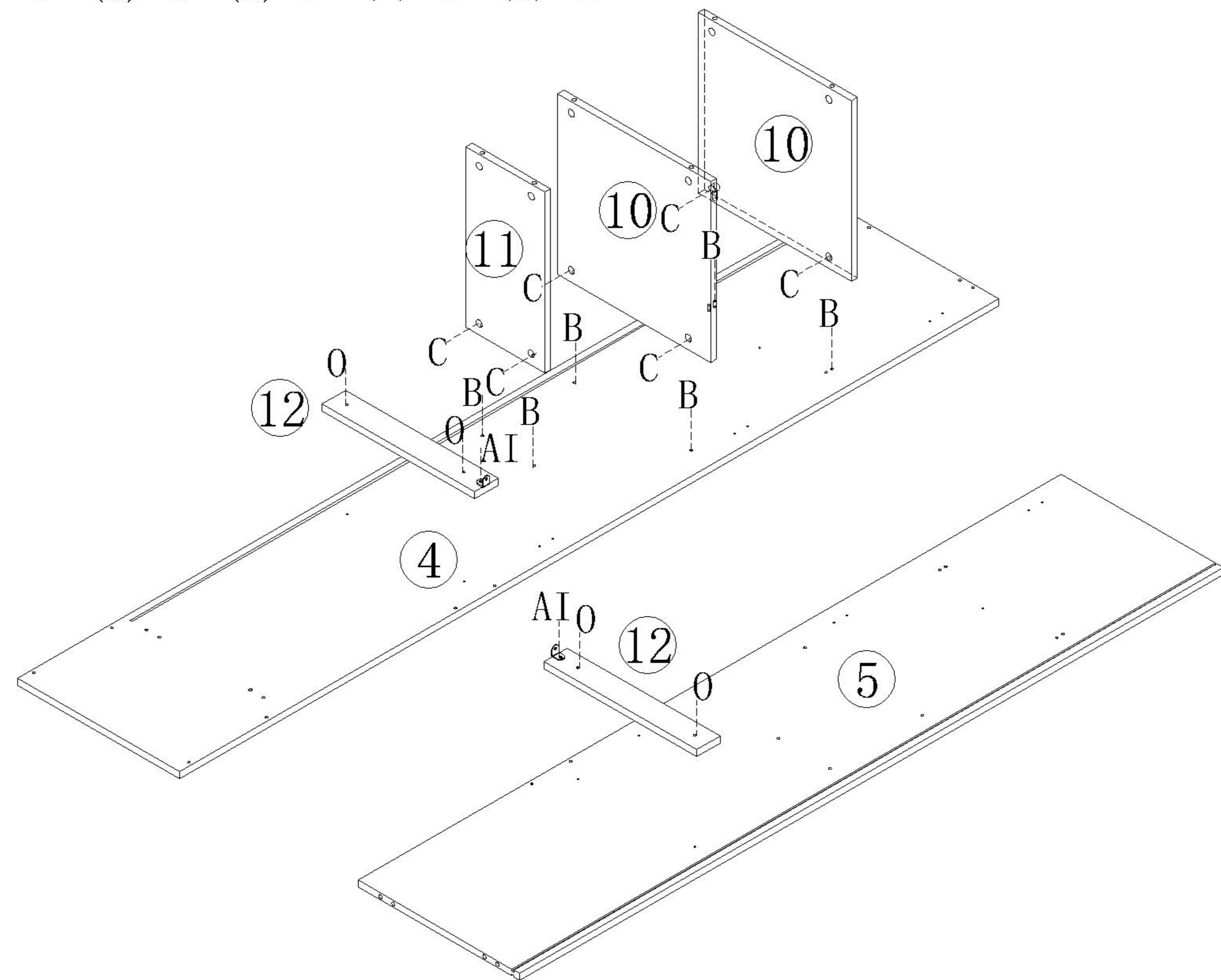


二合一
two-in-one

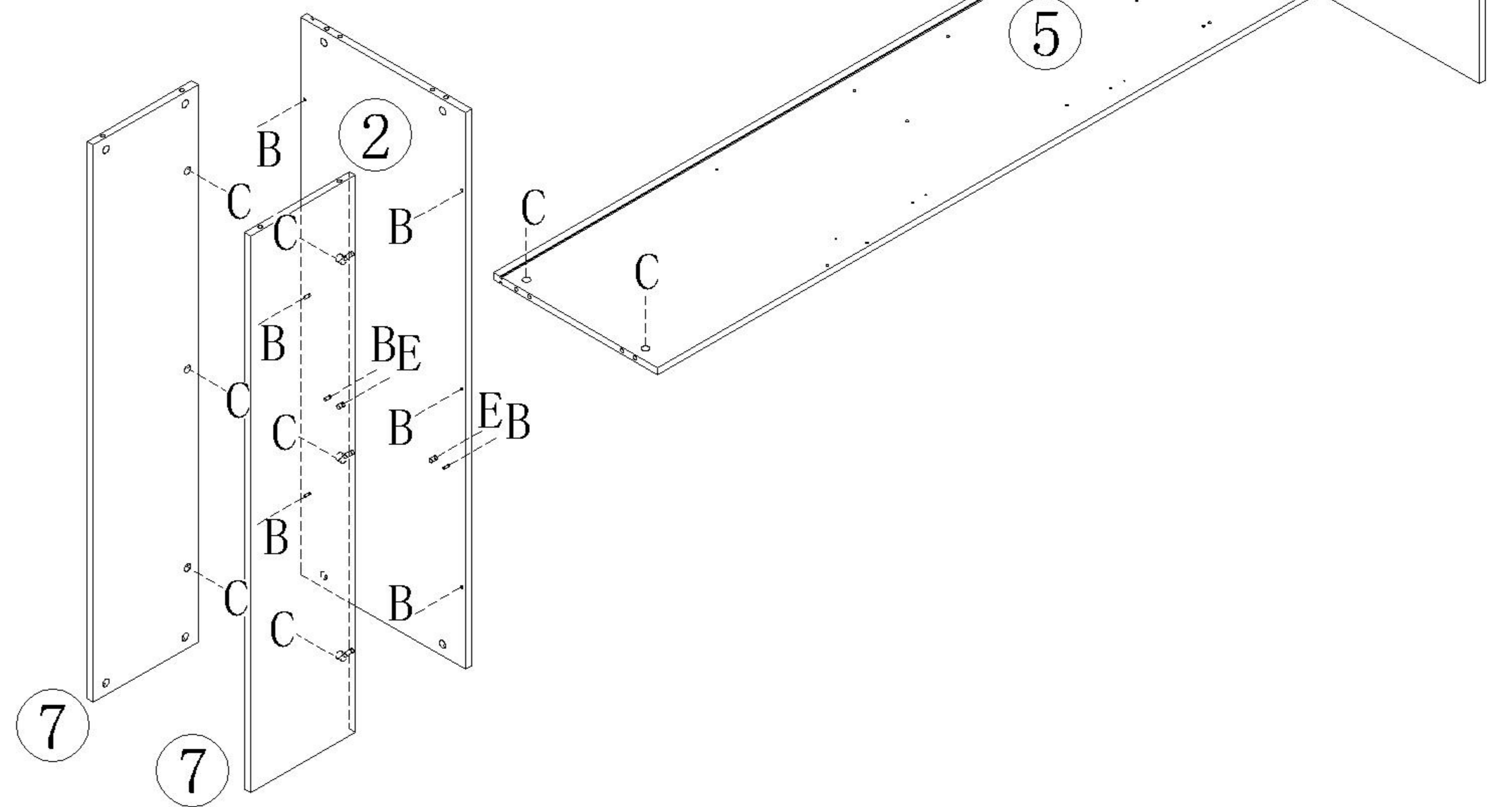


背板扣
Back Plate Buckle-White

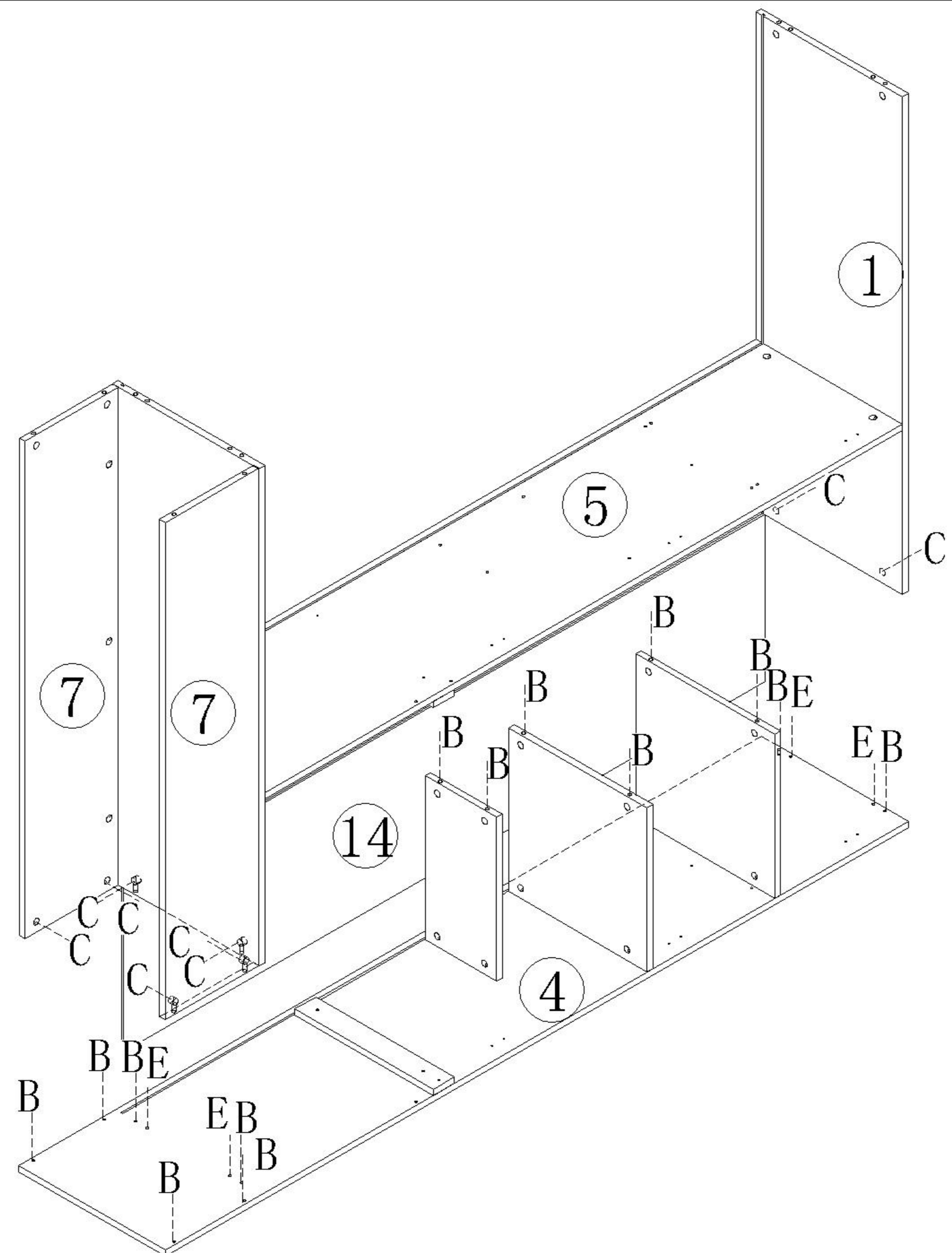
- (B)*6 (C)*6 (I)*2 (A)*2 (O)*4



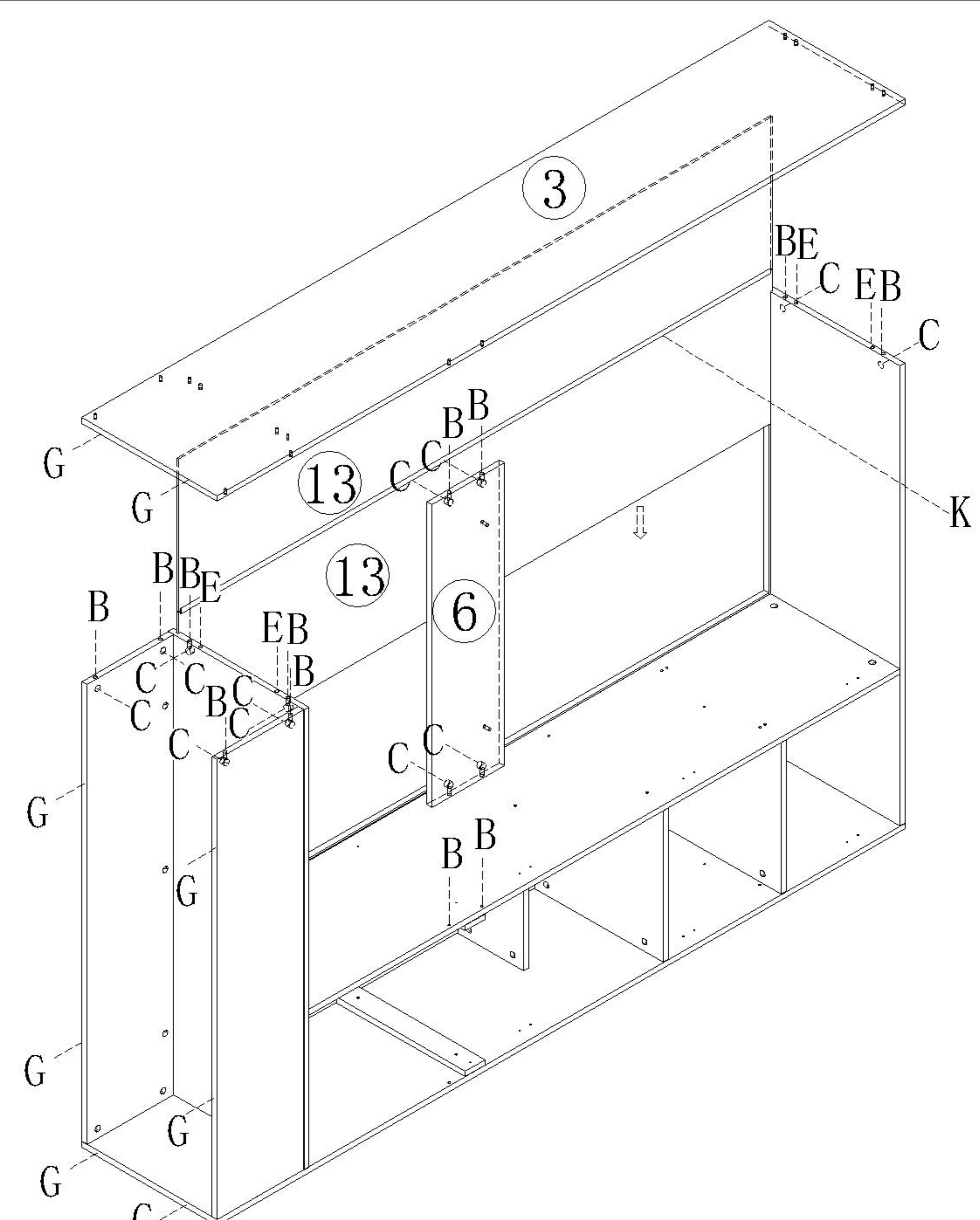
- (B)*10
(C)*10
(E)*4



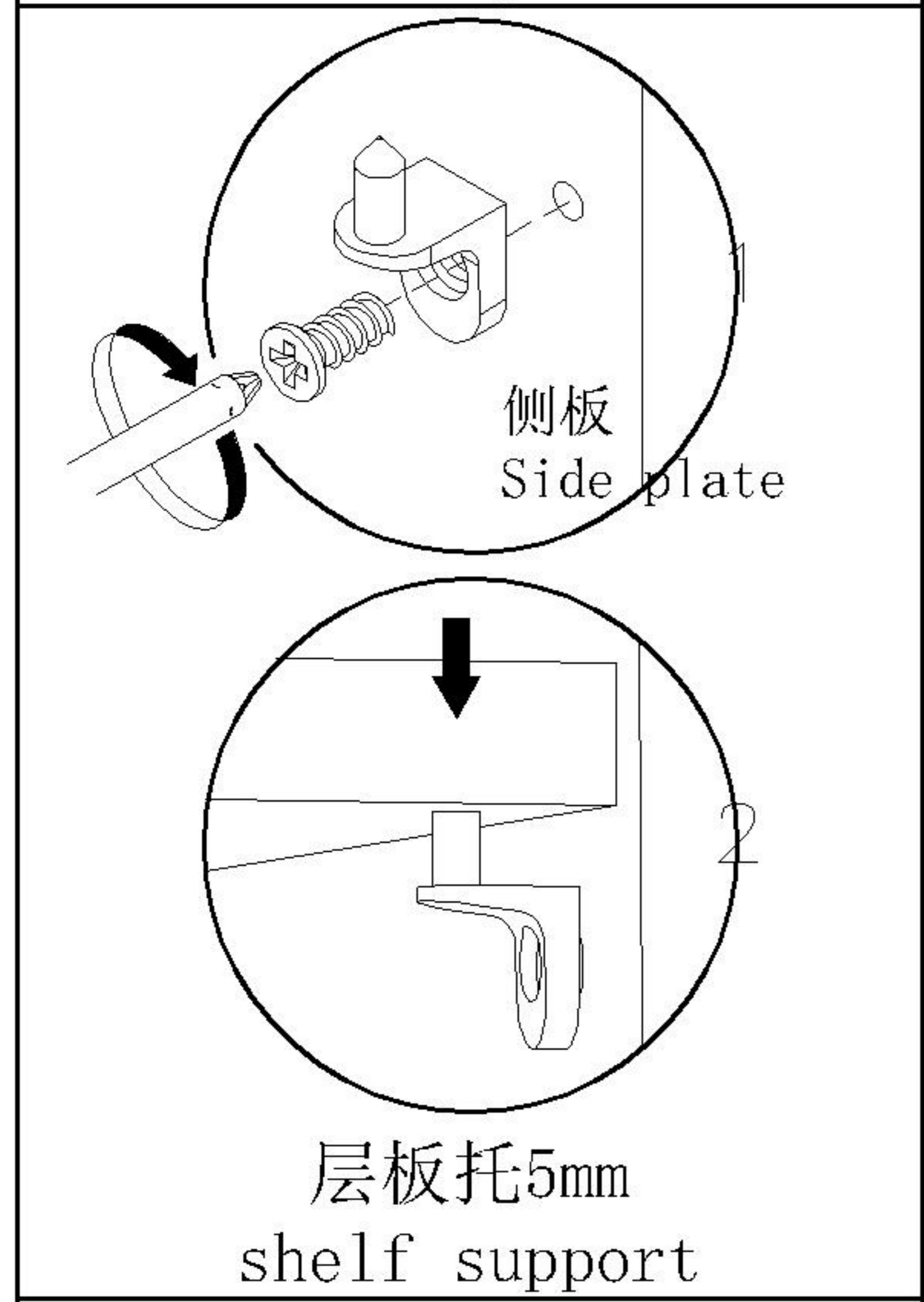
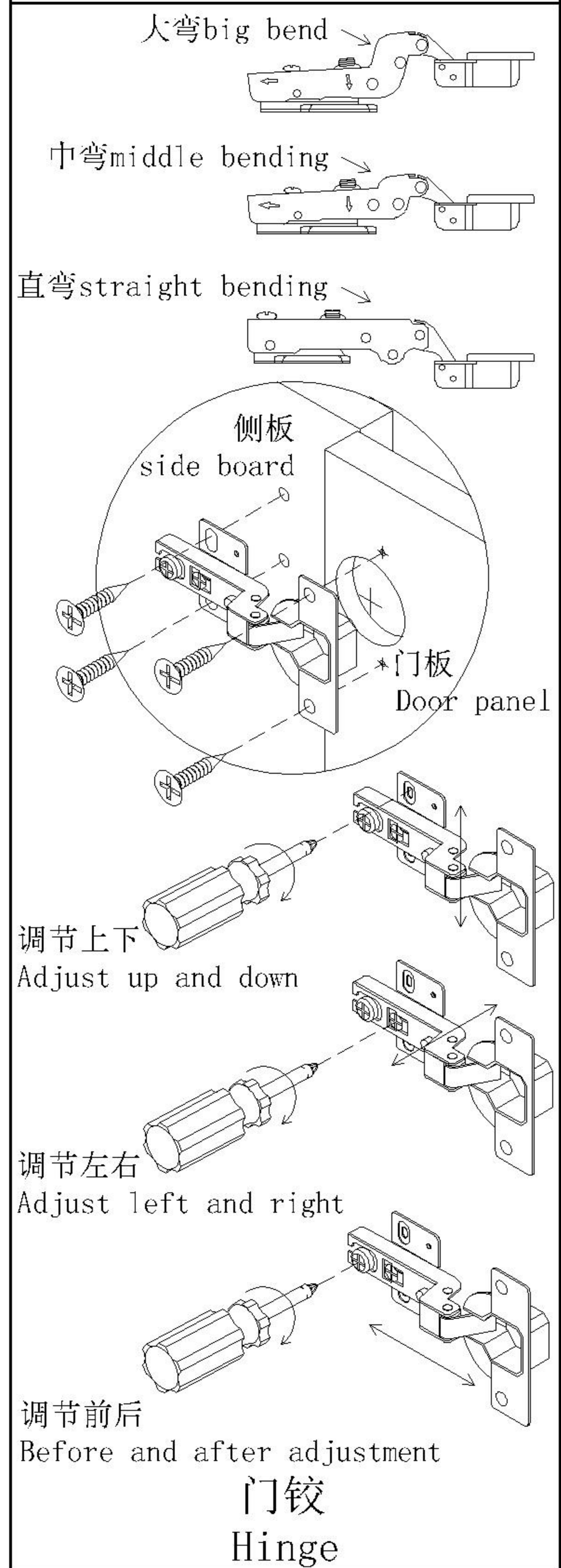
- (B)*14
(C)*14
(E)*4



- (B)*12
(C)*12
(E)*4
(K)*1
(G)*8

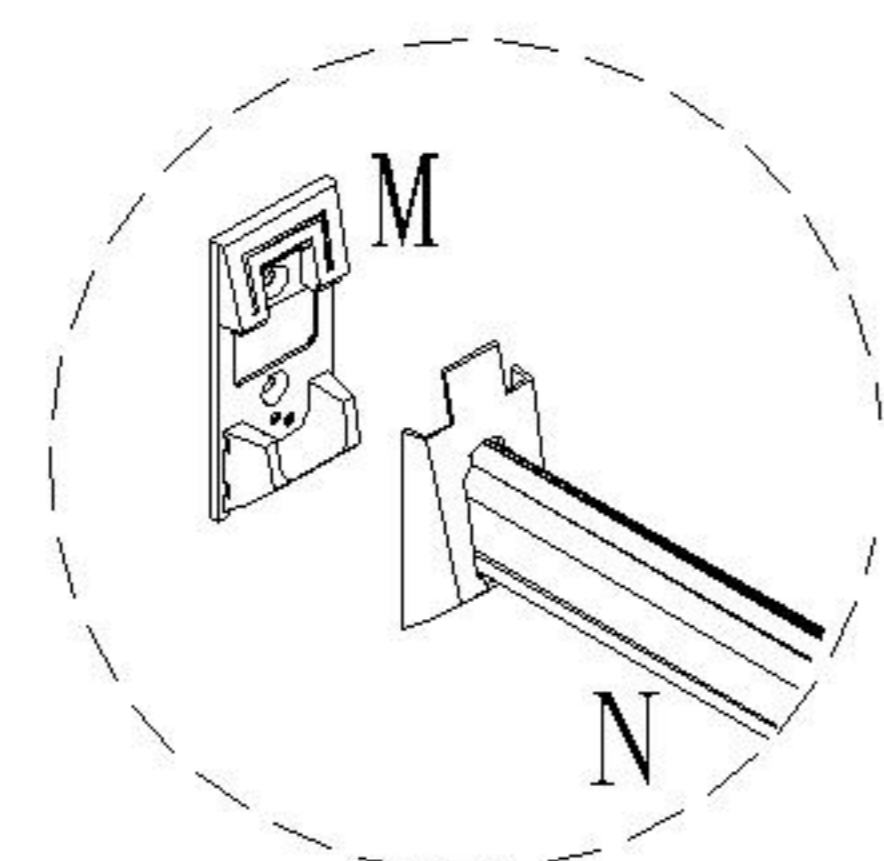
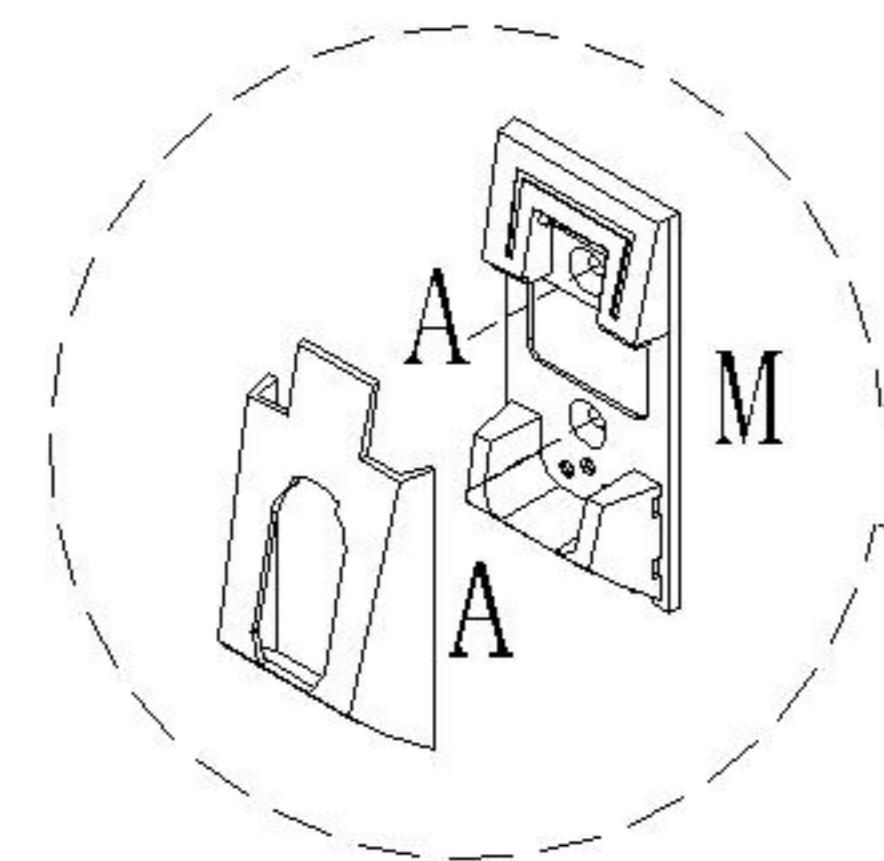


安装方法/
Installation method

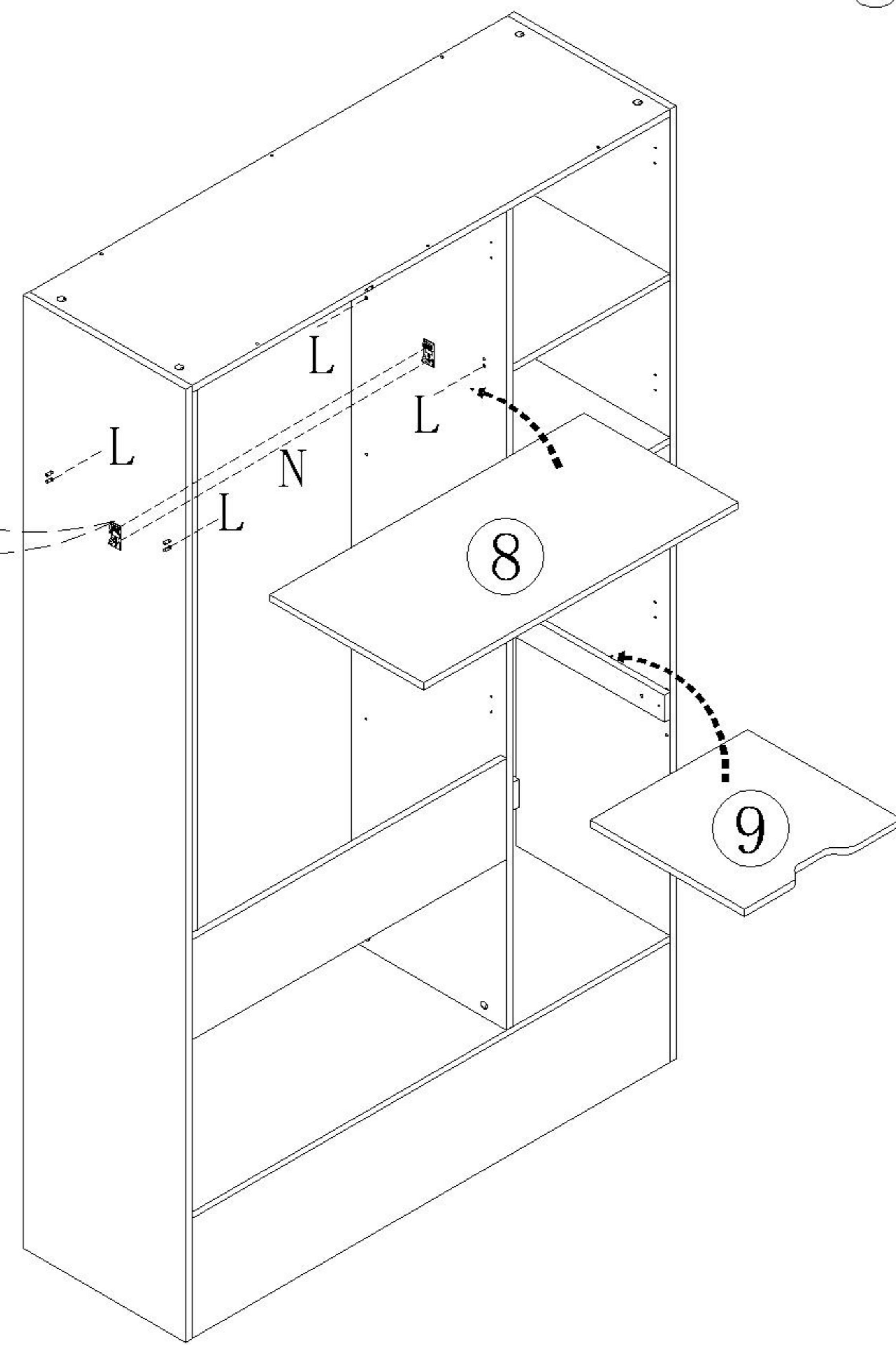


- (L)*4
- (A)*4
- (M)*2
- (N)*1

将五金M的盖子拆开再锁
Remove the cover of hardware M and lock it



将五金N套进五金M的盖子再
盖在五金M的底座上
Put hardware N into the cover of hardware M and then cover the base of hardware M

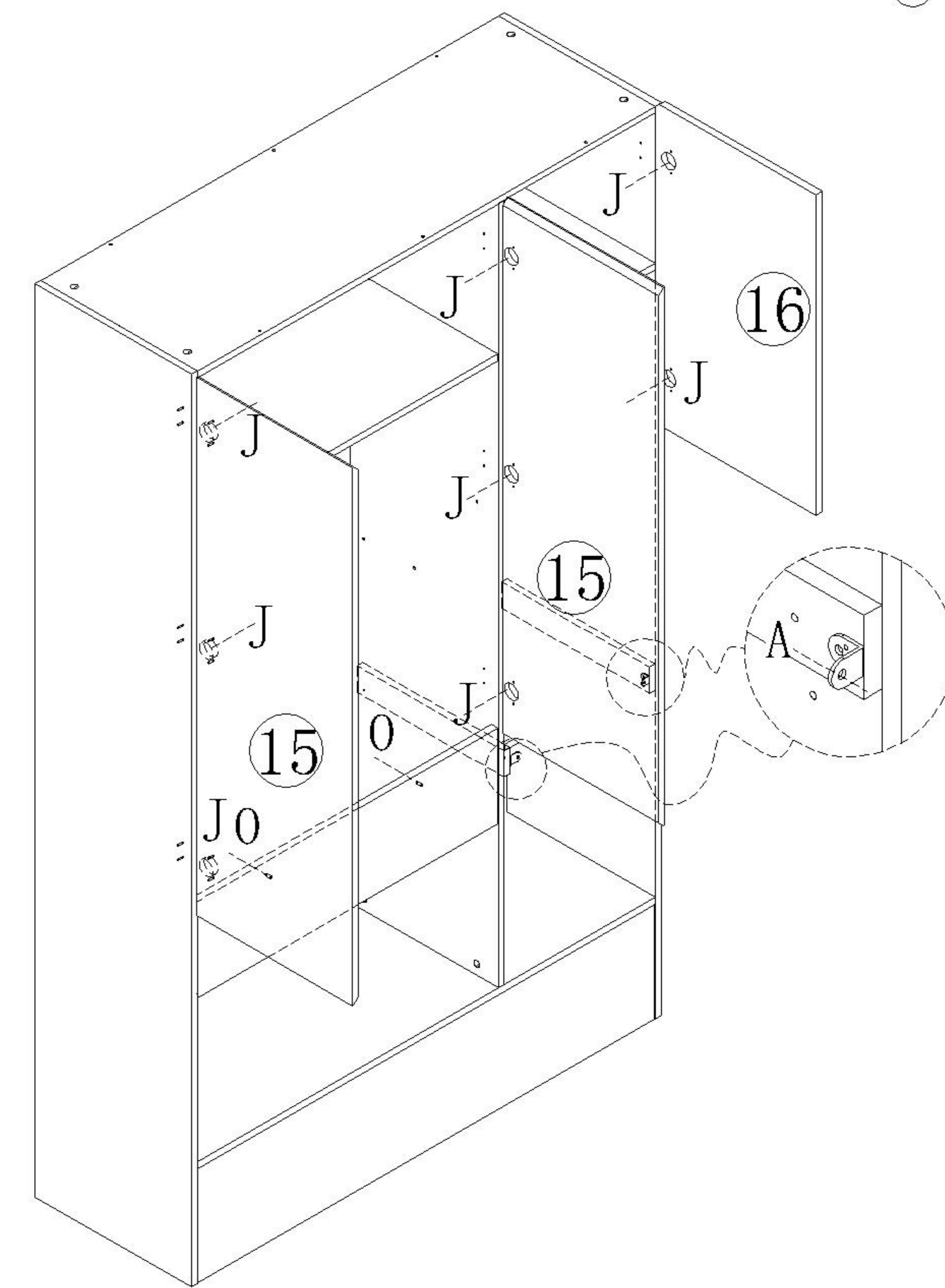


5

- (J)*8
- (O)*2
- (A)*2

温馨提示:
安装完成后, 与要组合柜子在合适的位置用五金O和A锁紧

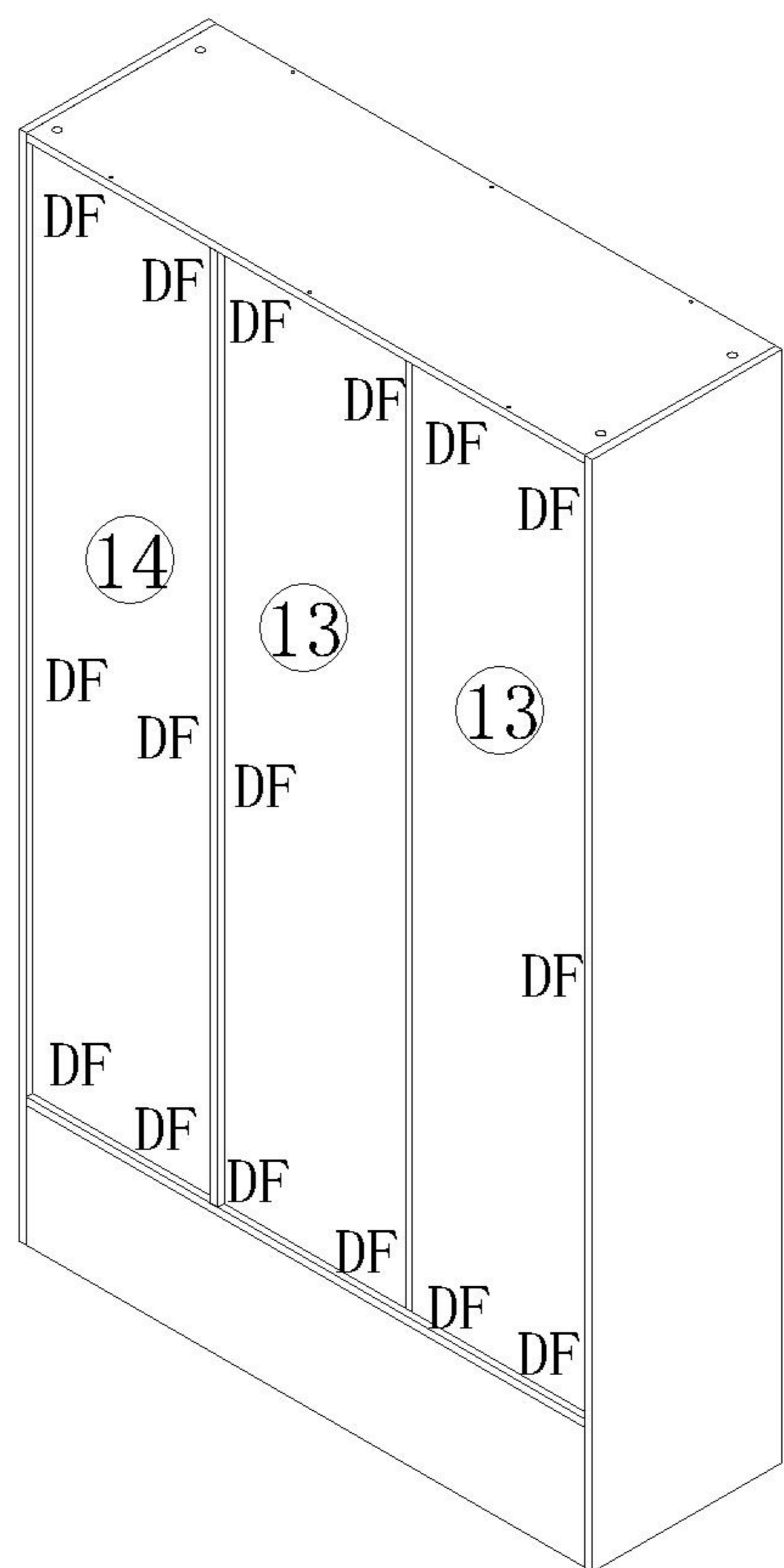
Tips:
After installation, lock the cabinet in place with hardware O&A



6

- (D)*16

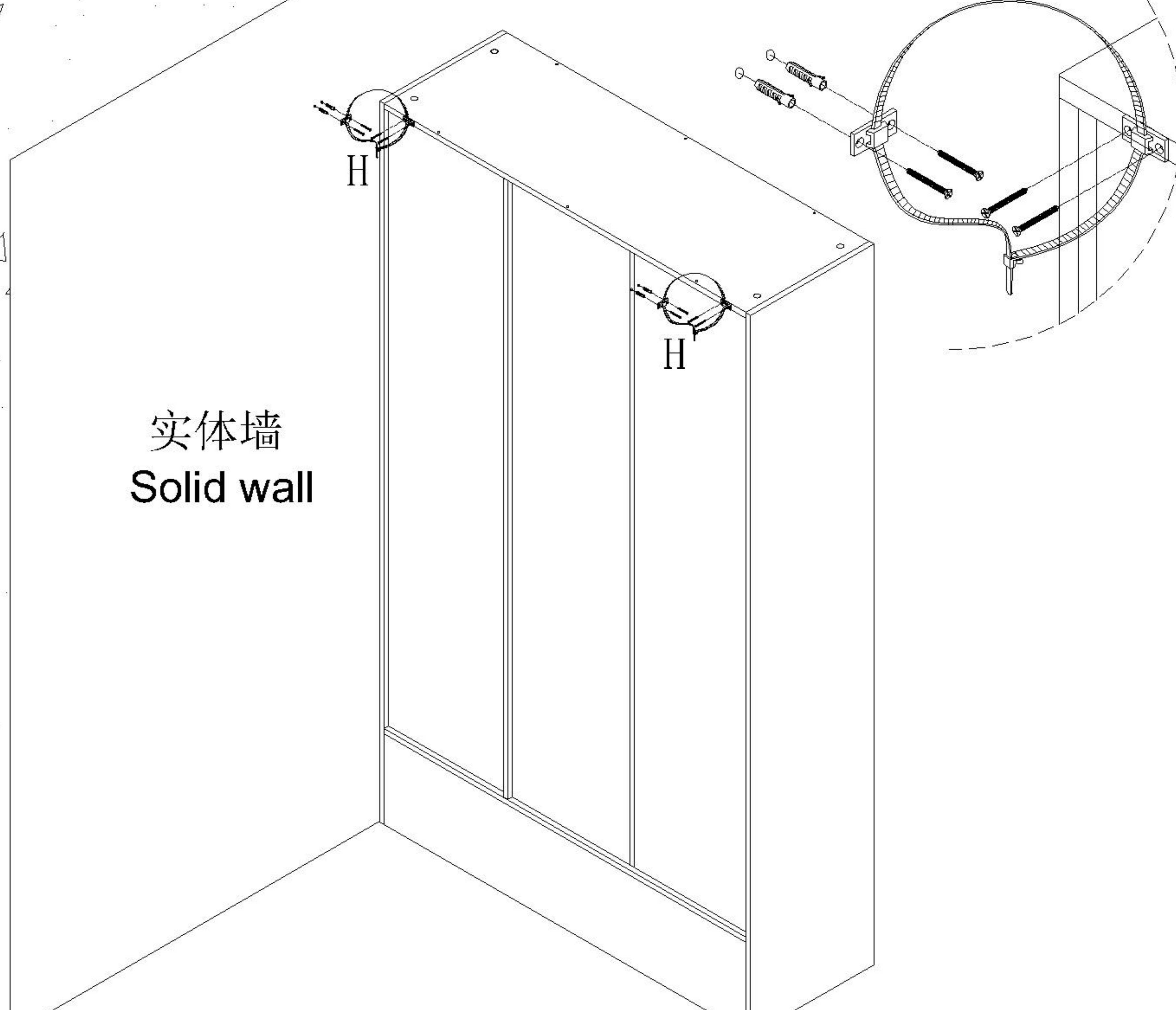
- (F)*16



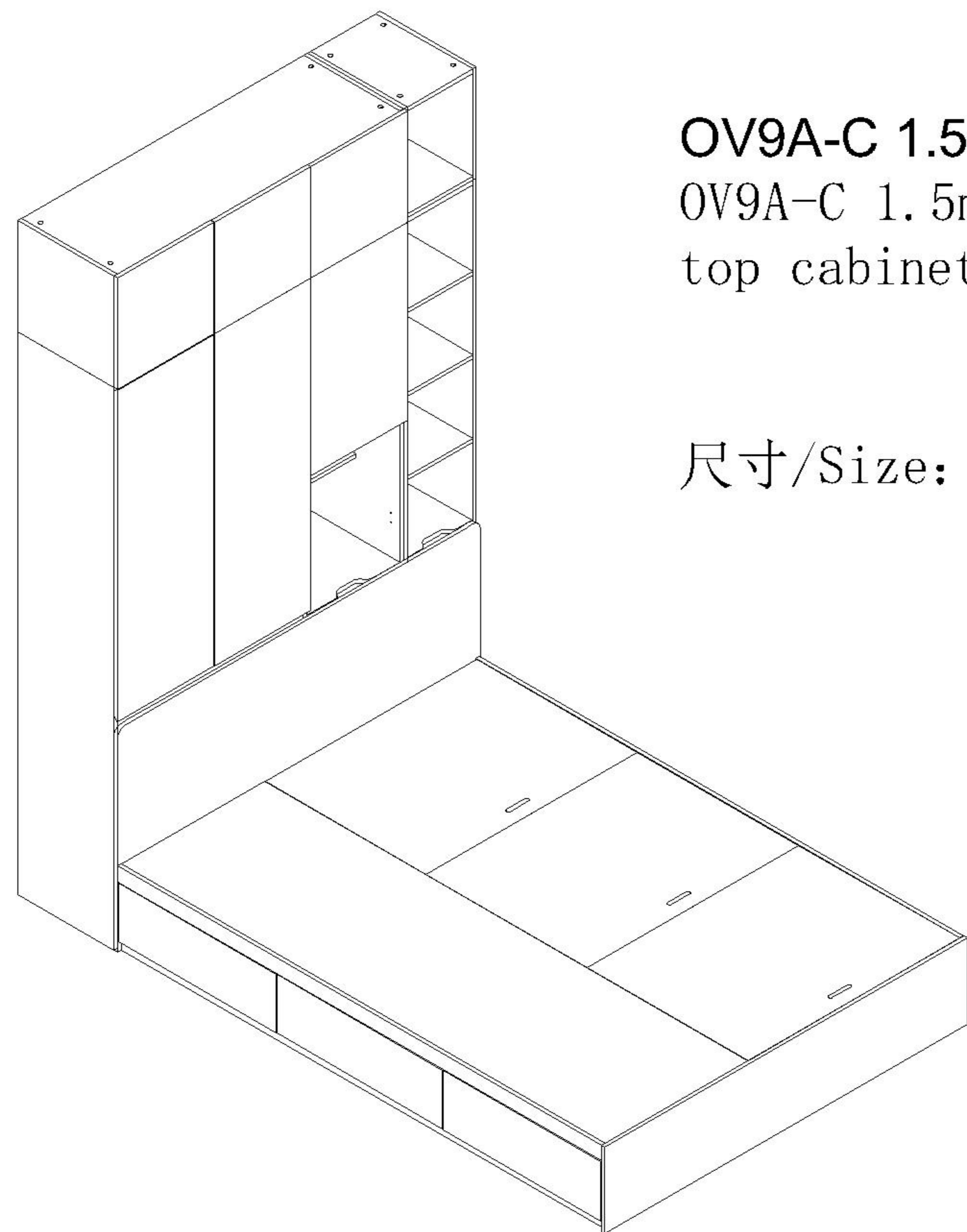
7

- (H)*2

H处放大图
Enlarged Drawing



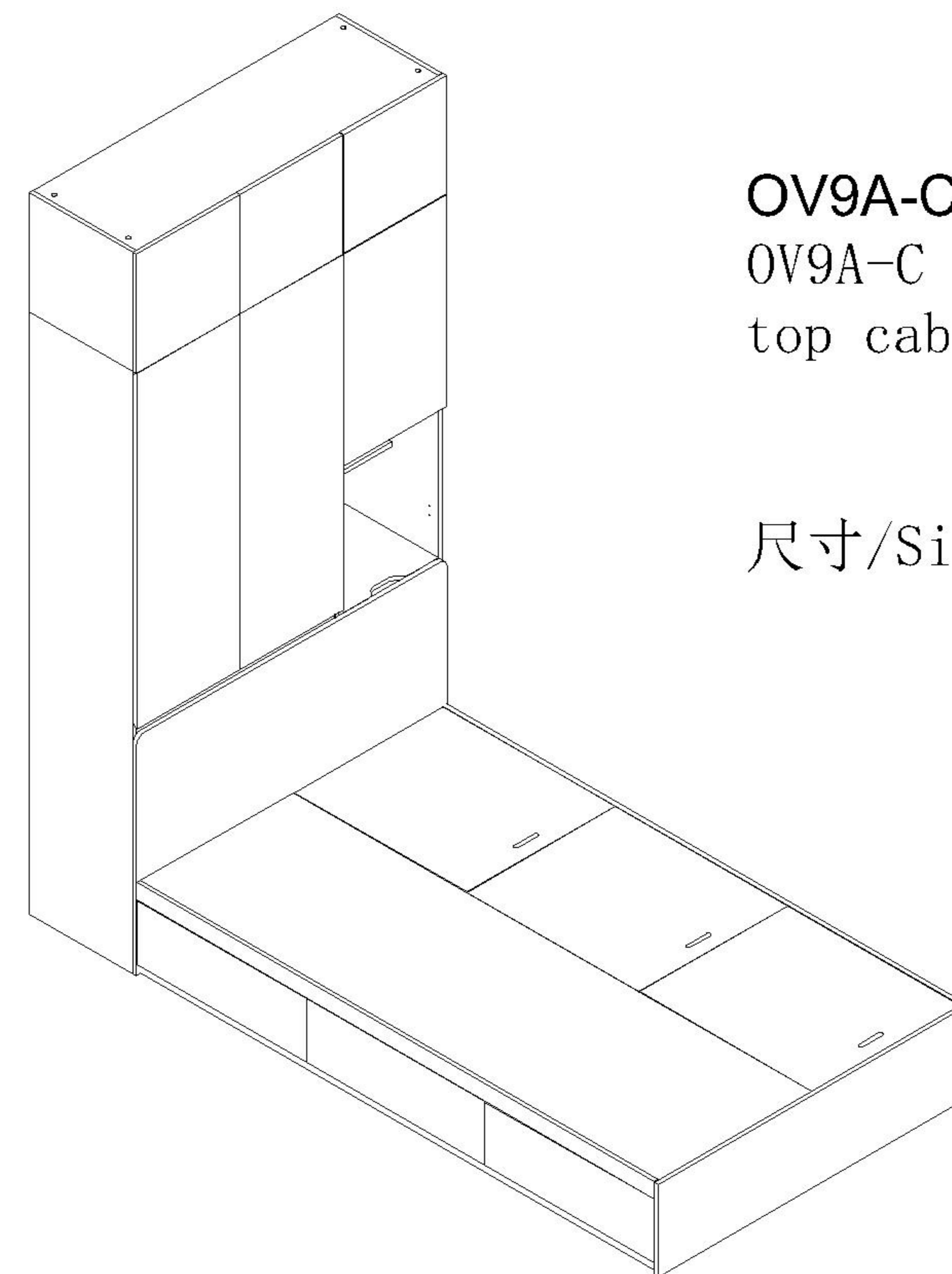
8



OV9A-C 1.5米组合+顶柜
OV9A-C 1.5m combination +
top cabinet

尺寸/Size: 2428*1500*2416MM

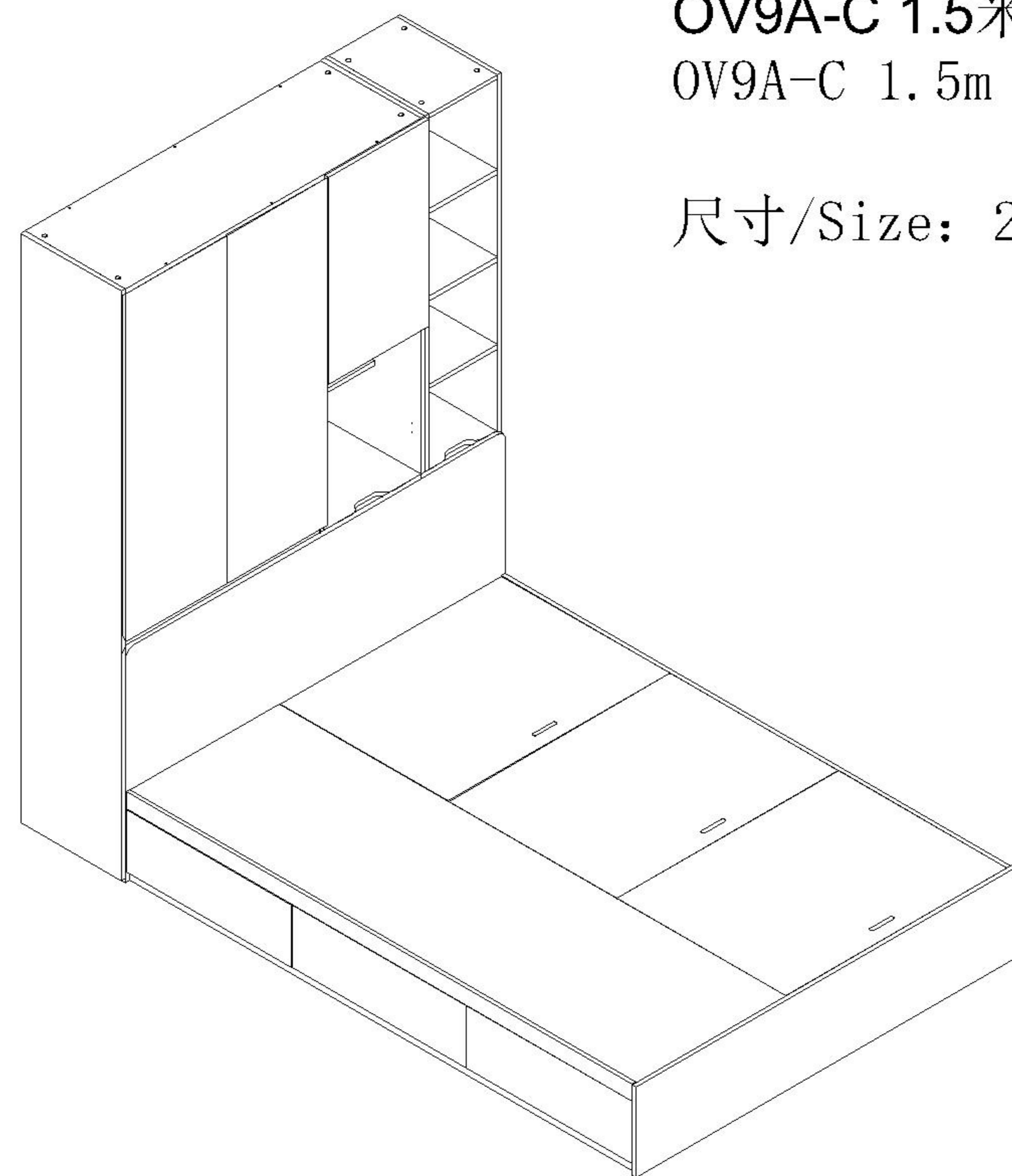
9



OV9A-C 1.2米组合+顶柜
OV9A-C 1.2m combination +
top cabinet

尺寸/Size: 2428*1200*2416MM

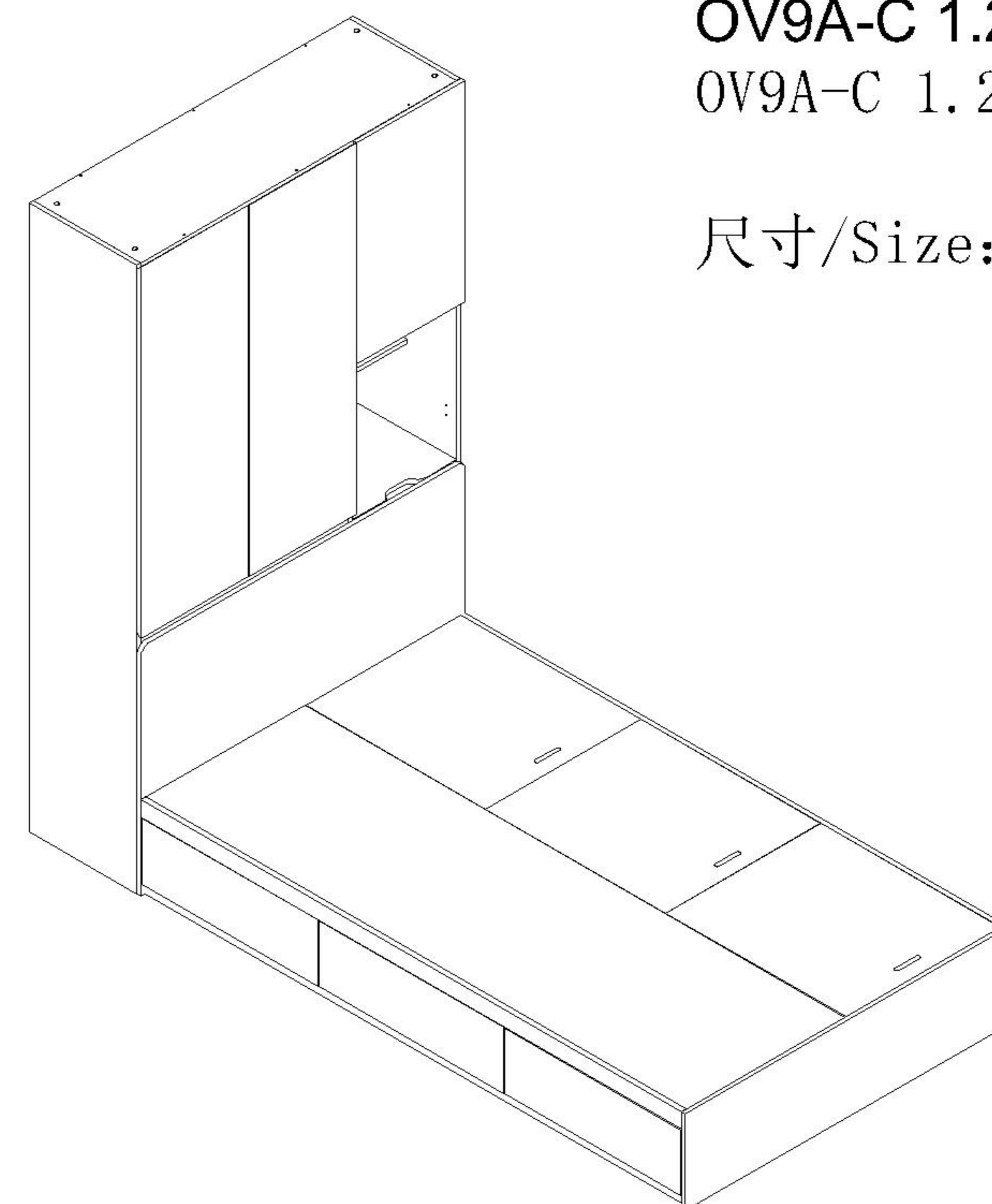
10



OV9A-C 1.5米组合
OV9A-C 1.5m combination

尺寸/Size: 2428*1500*2018MM

11

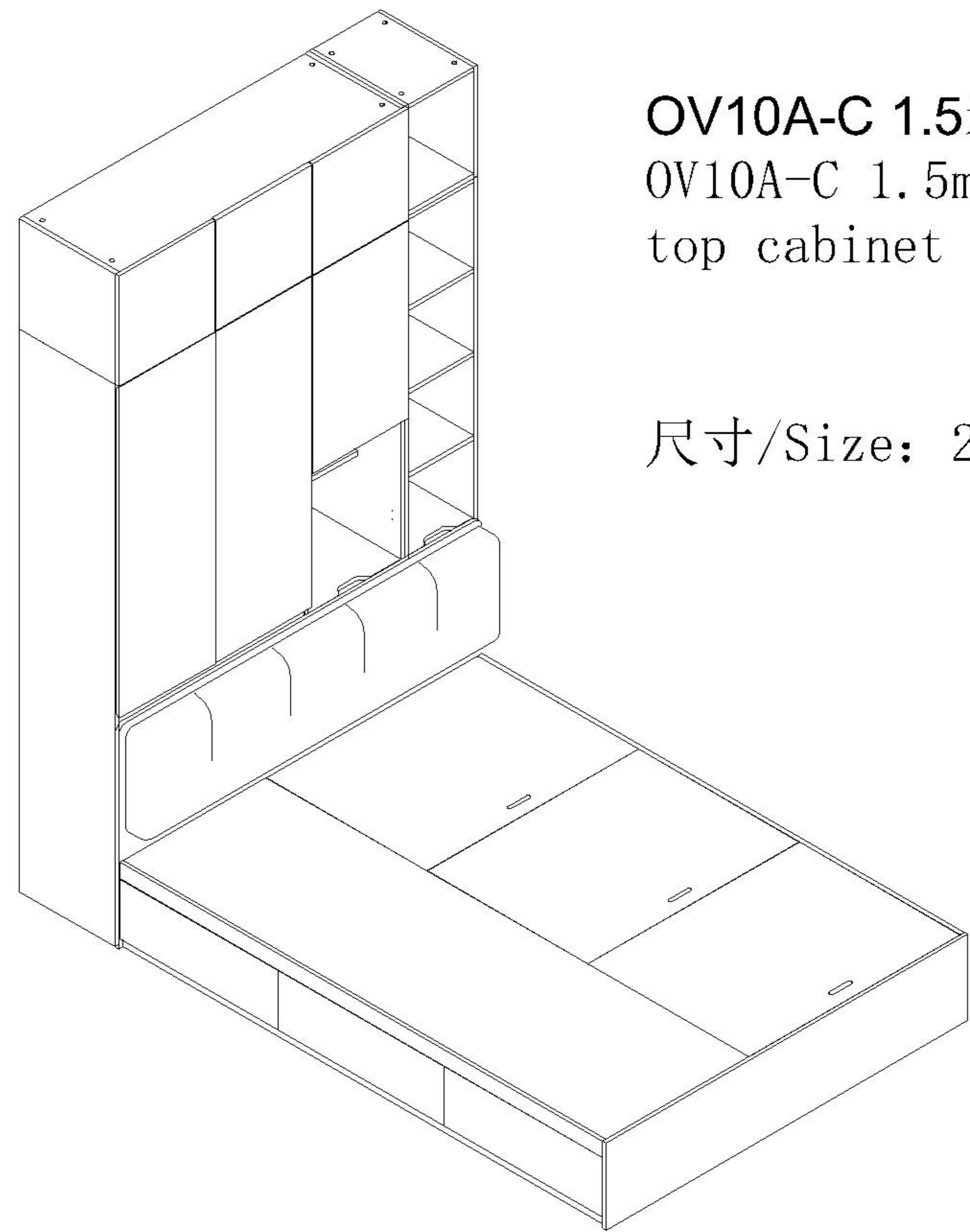


OV9A-C 1.2米组合
OV9A-C 1.2m combination

尺寸/Size: 2428*1200*2018MM

12

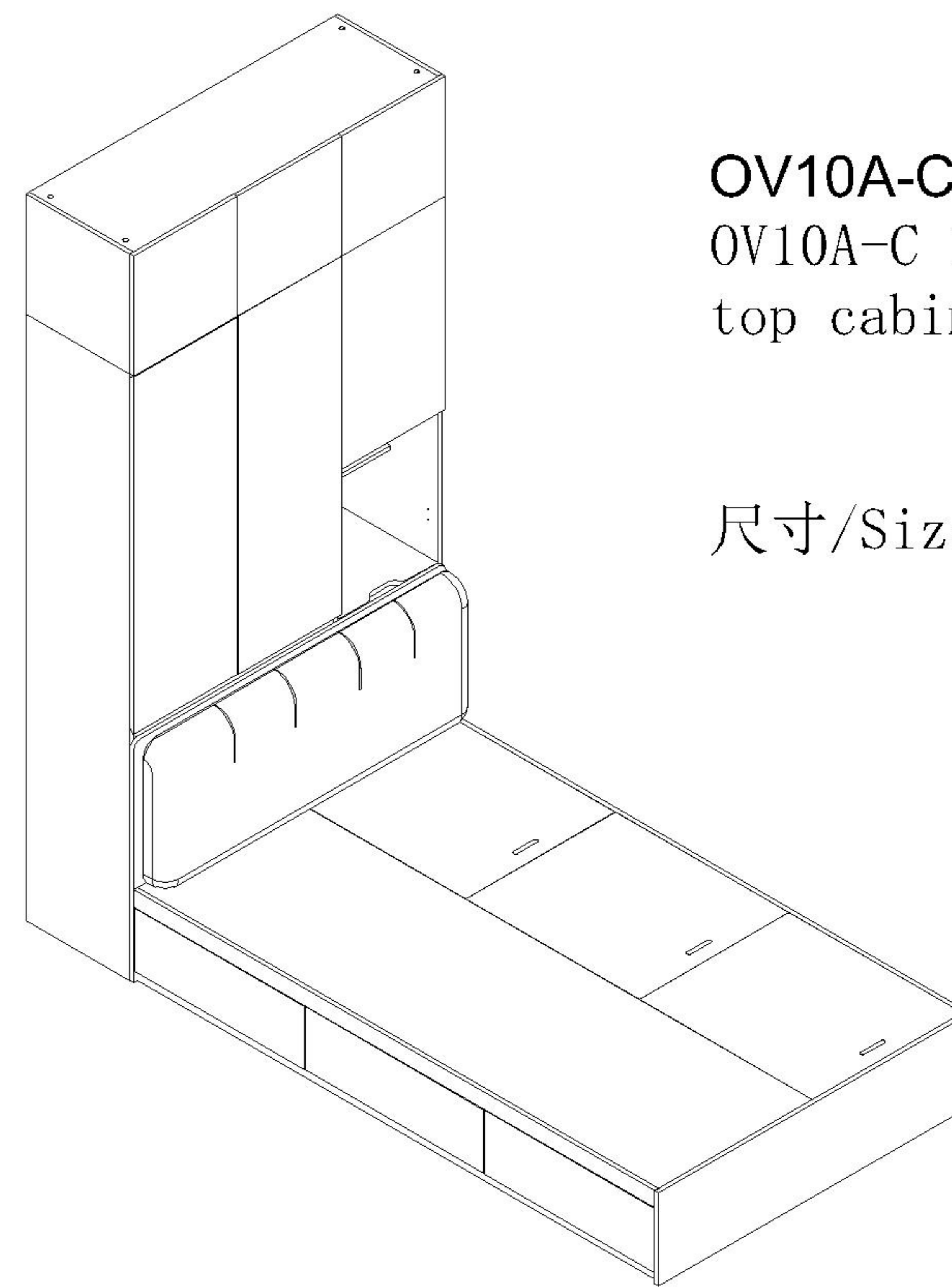
13



OV10A-C 1.5米组合+顶柜
OV10A-C 1.5m combination +
top cabinet

尺寸/Size: 2428*1500*2416MM

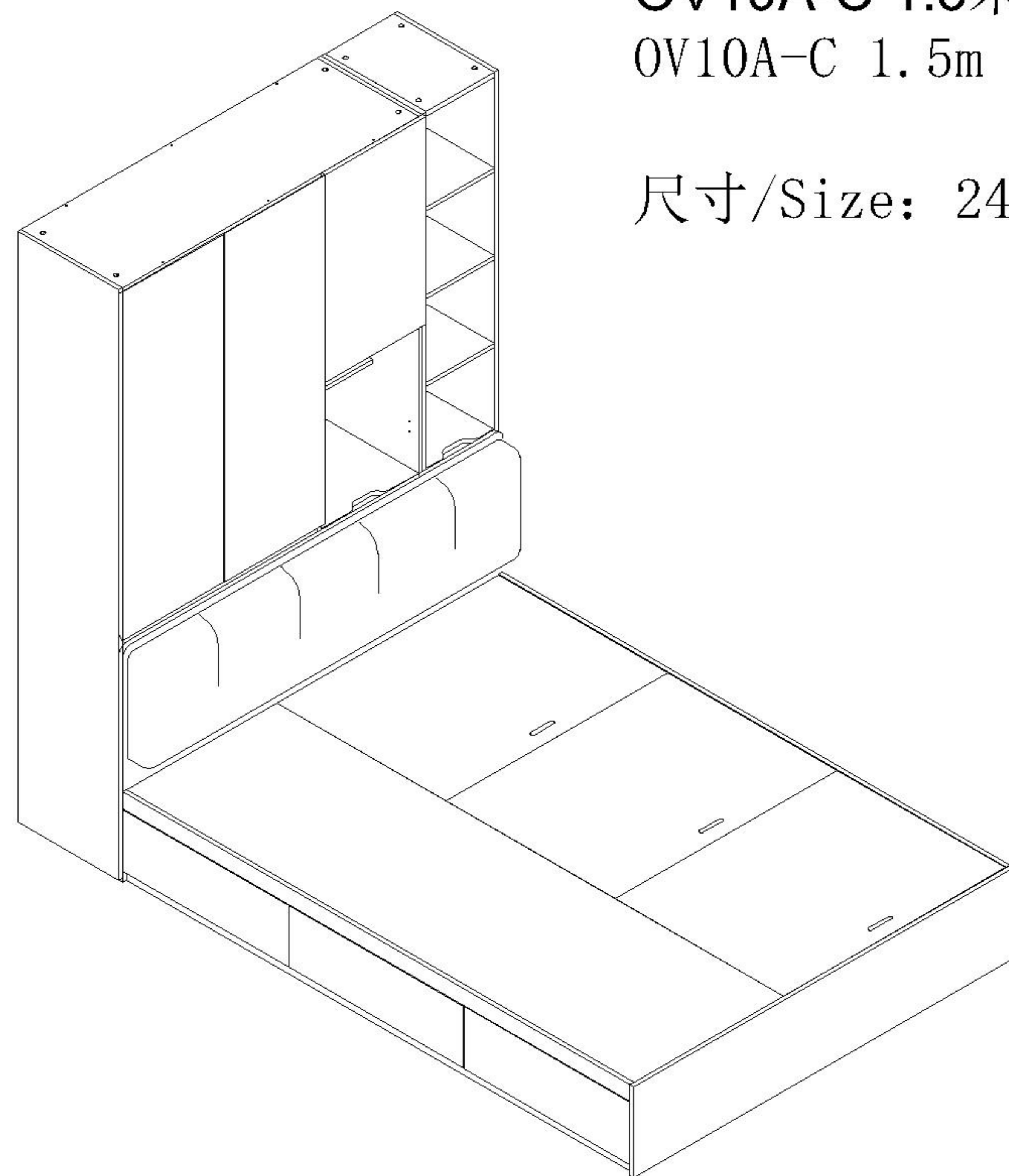
14



OV10A-C 1.2米组合+顶柜
OV10A-C 1.2m combination +
top cabinet

尺寸/Size: 2428*1200*2416MM

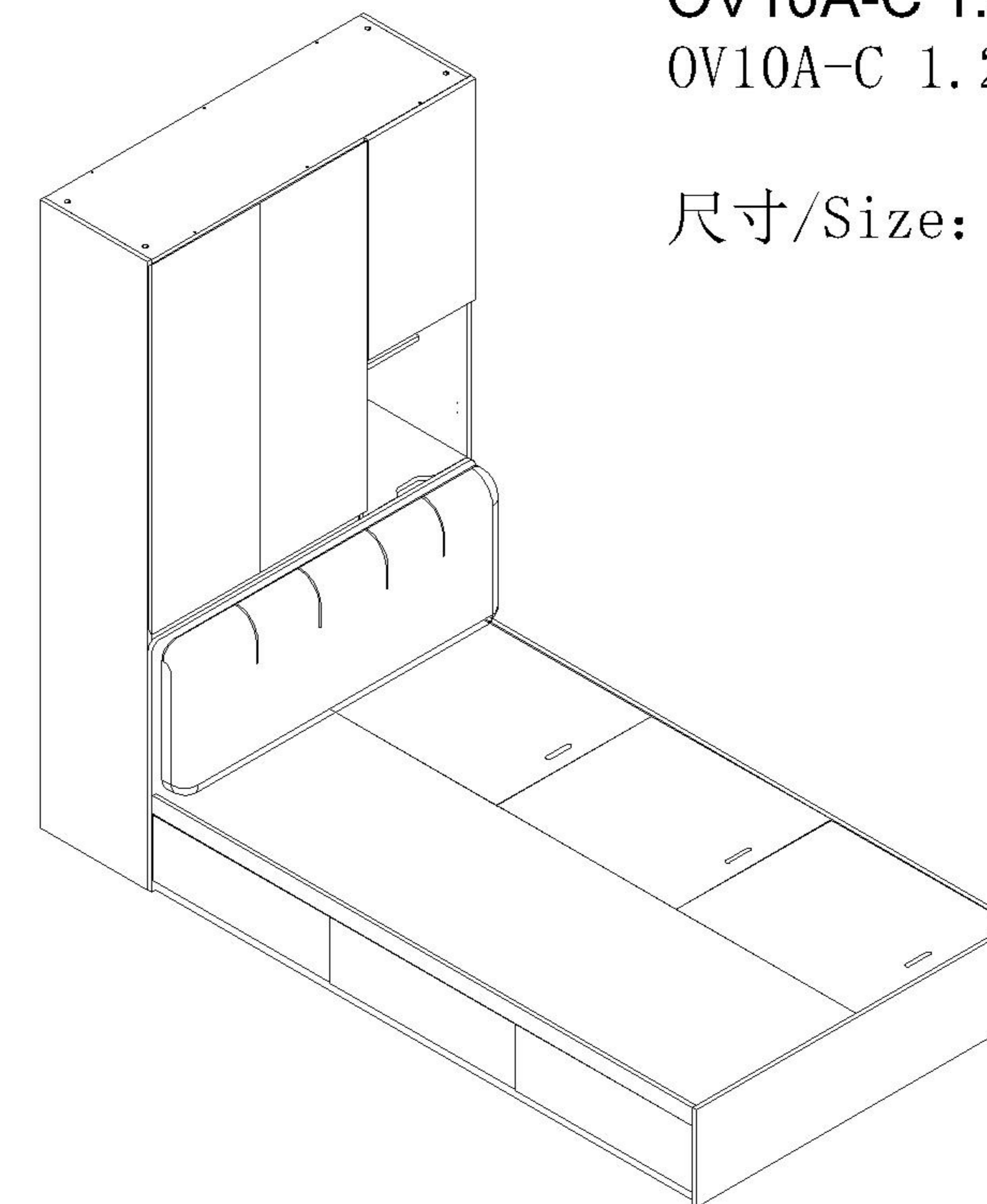
15



OV10A-C 1.5米组合
OV10A-C 1.5m combination

尺寸/Size: 2428*1500*2018MM

16



OV10A-C 1.2米组合
OV10A-C 1.2m combination

尺寸/Size: 2428*1200*2018MM