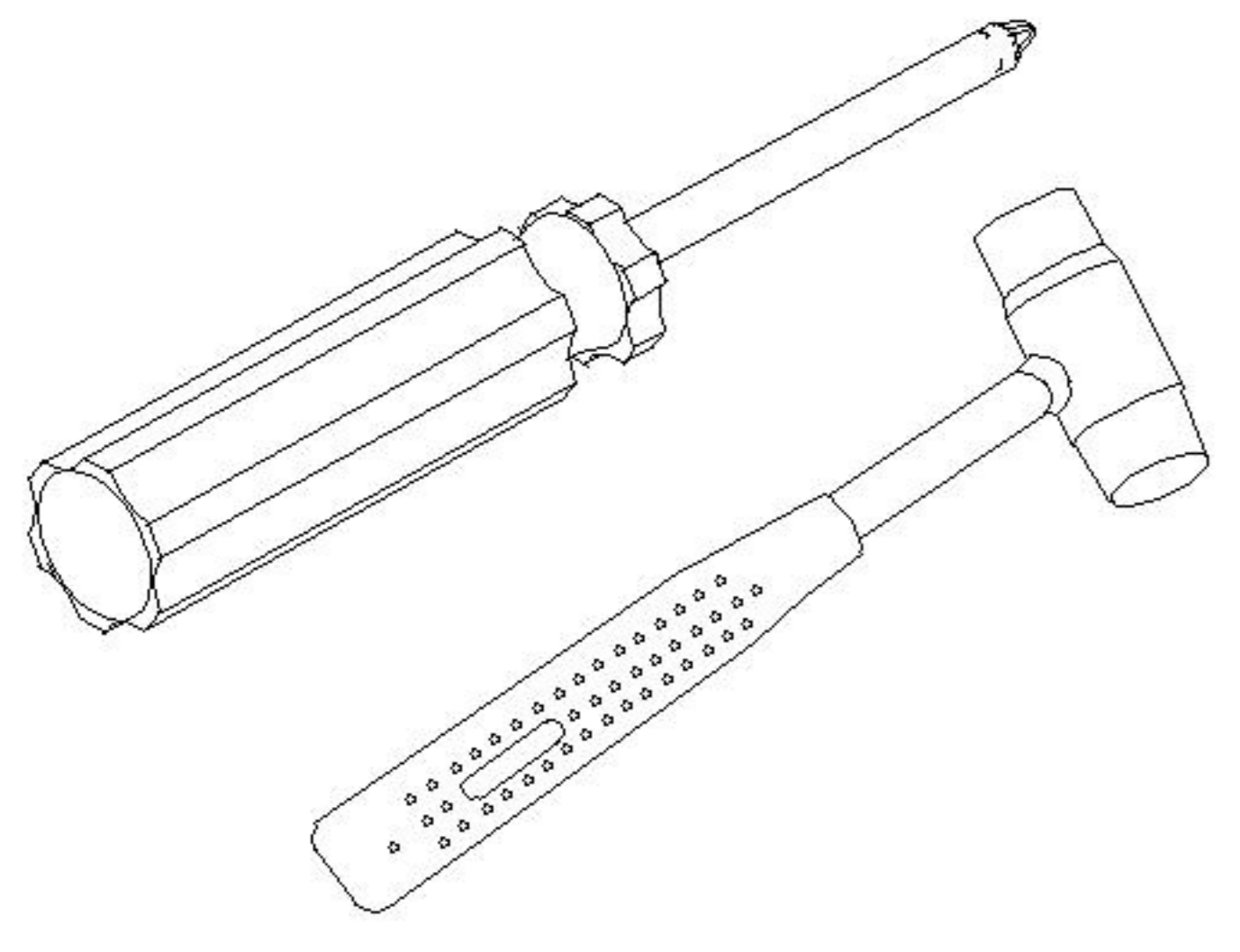
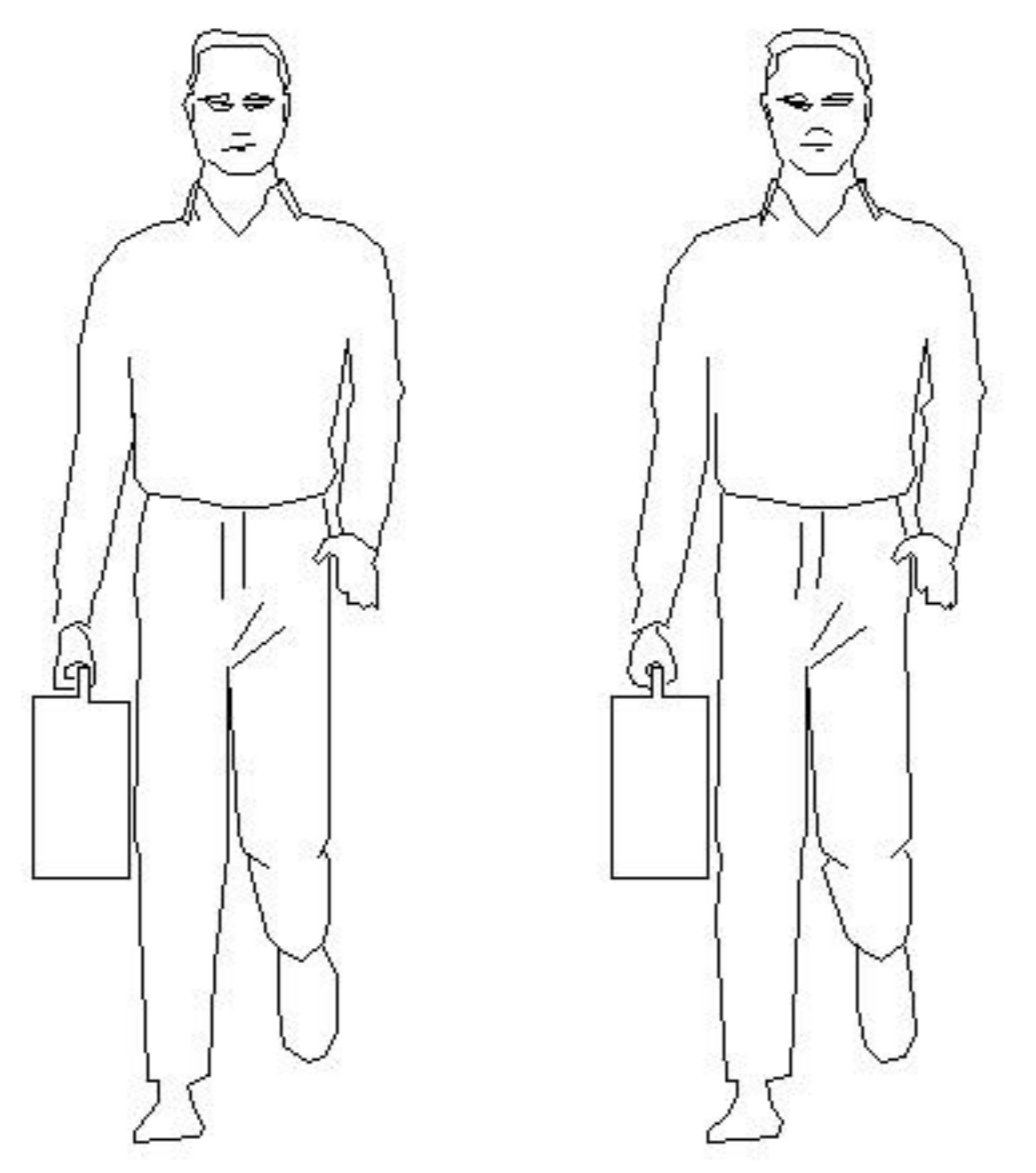
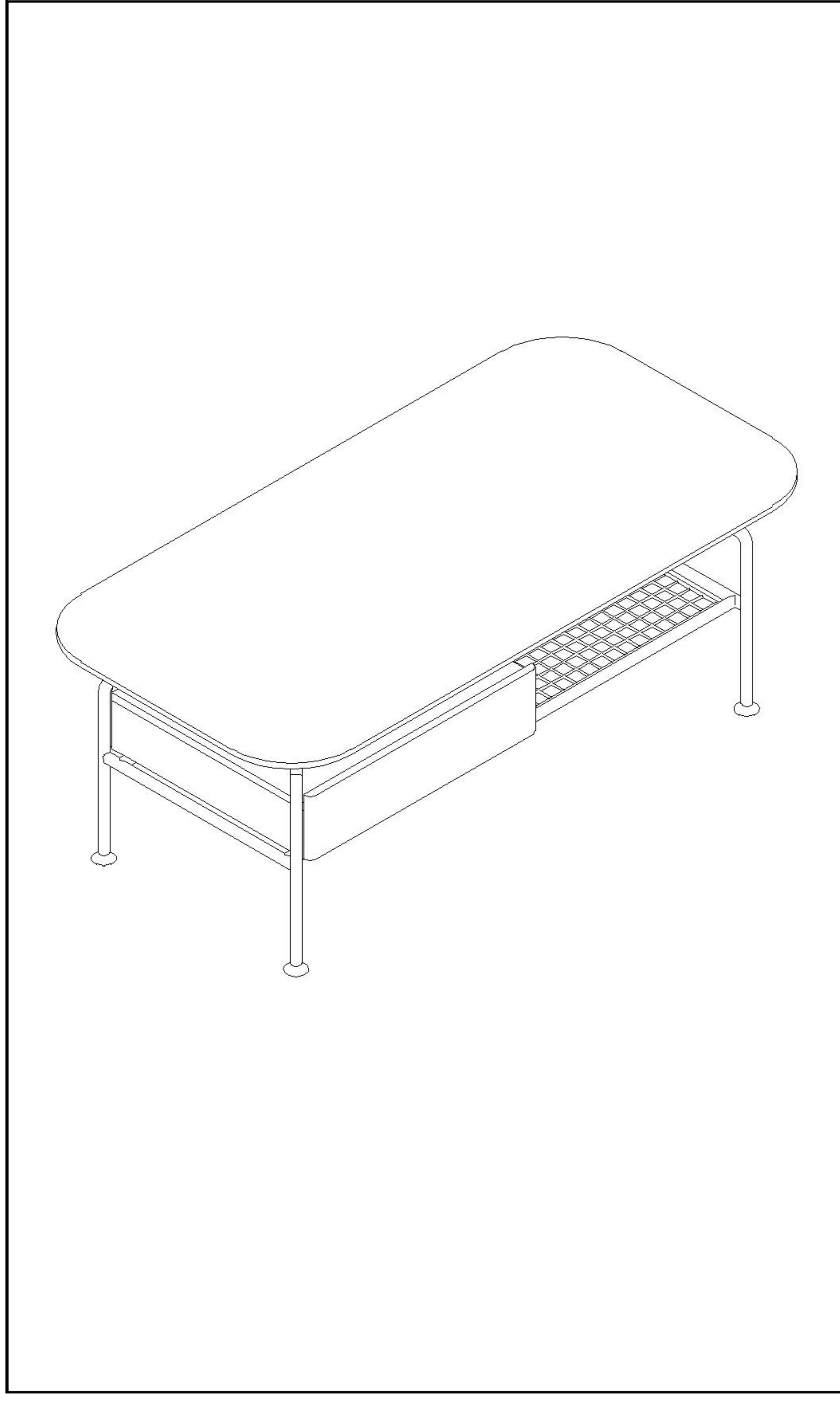
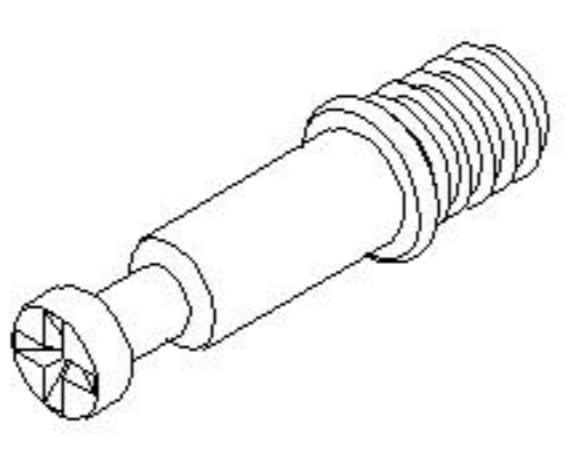
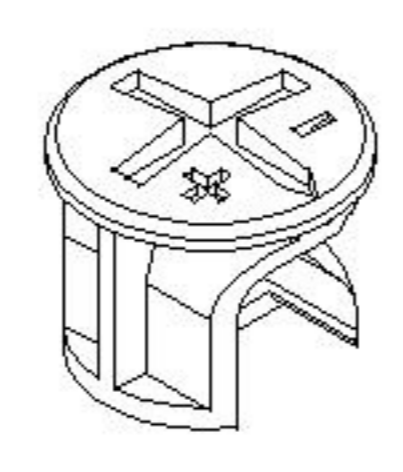
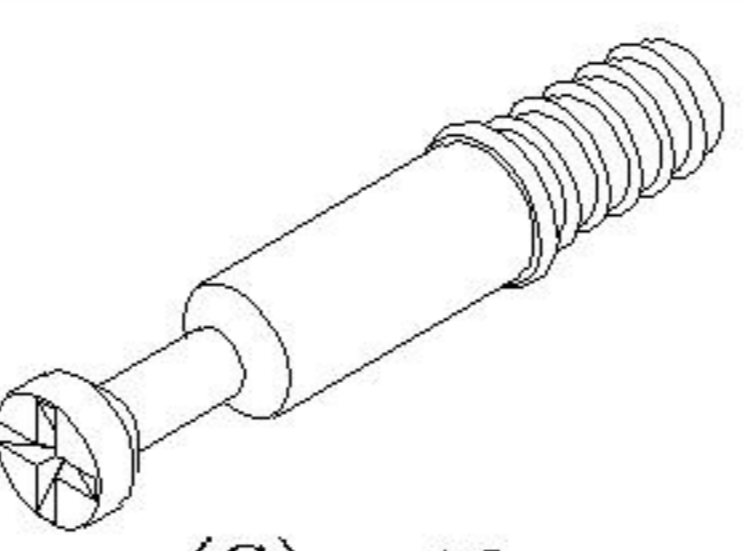
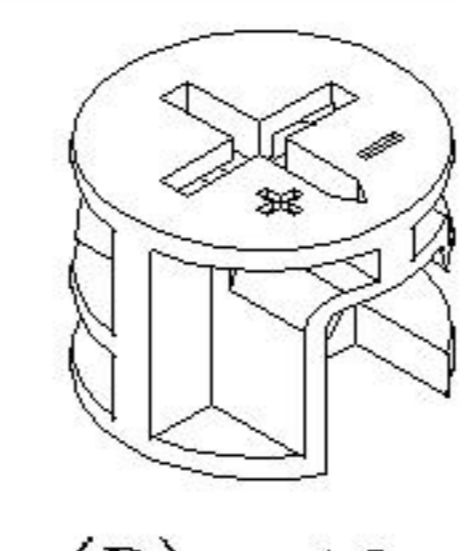
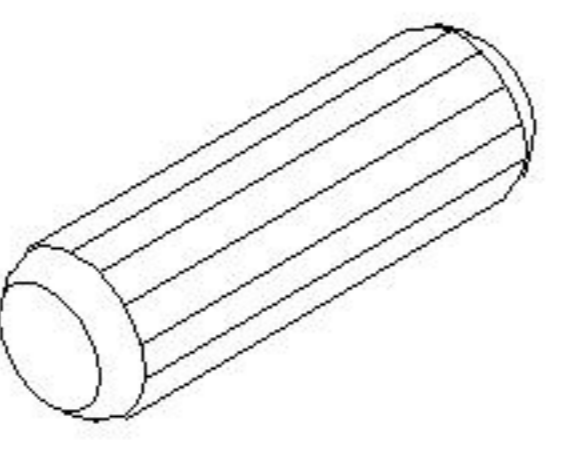
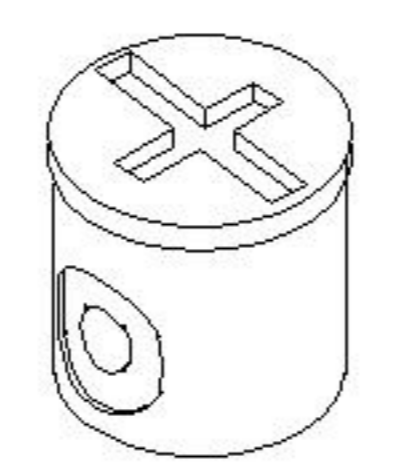
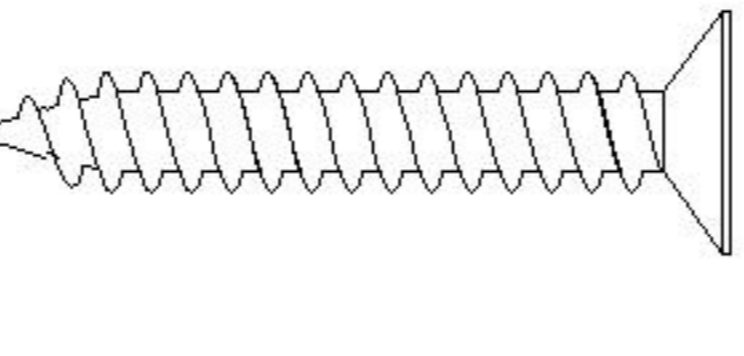
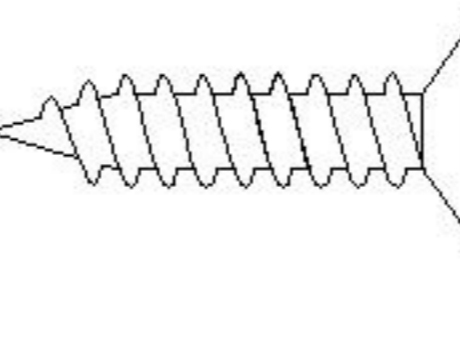
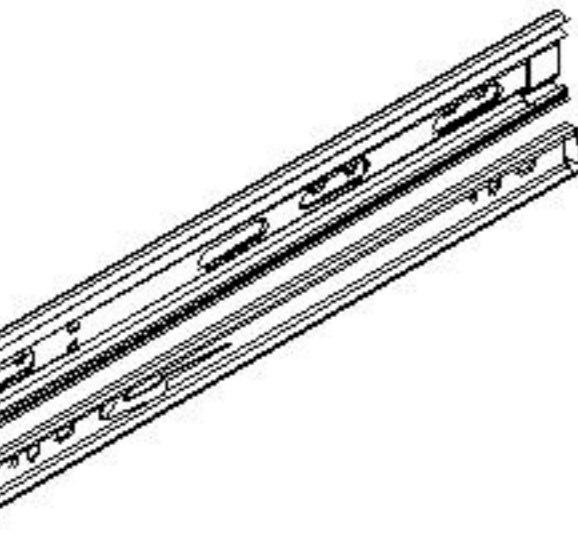
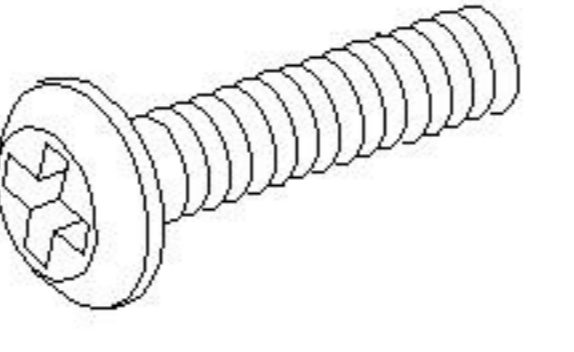
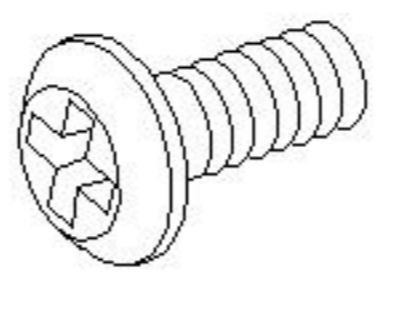
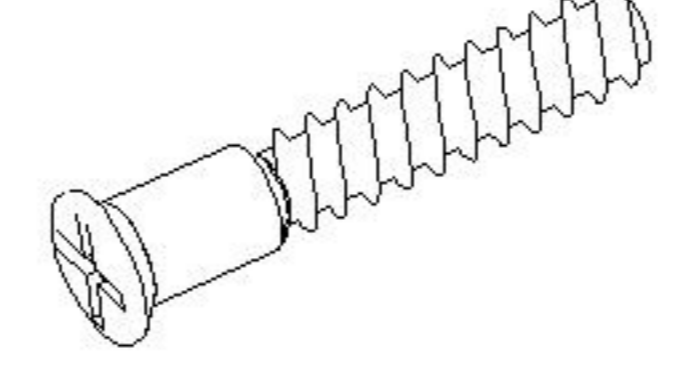


安装示意图/Assembly Instruction

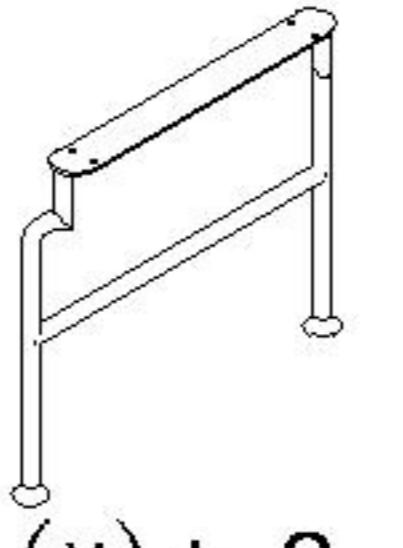
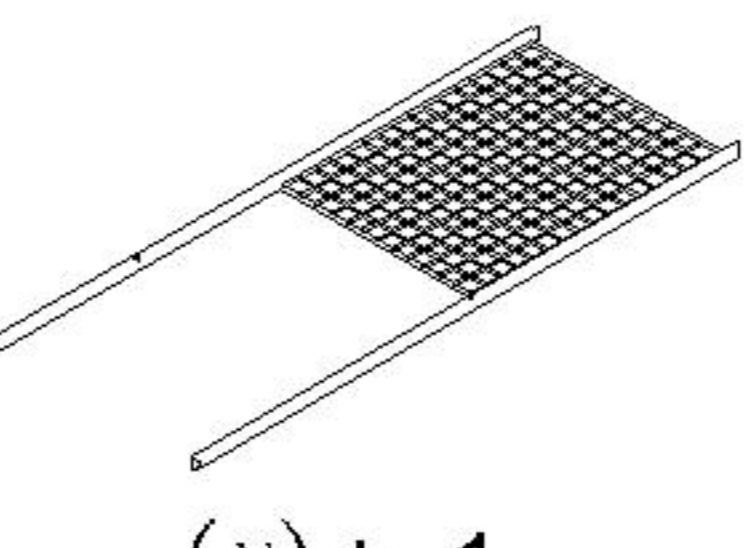
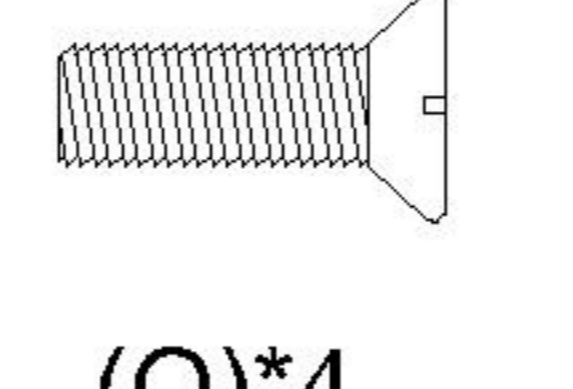
产品名称 Model NO.	KQ1L-A
产品规格 Specification	1200*600*446mm
安装工具 Tool	安装人数 Installer
	



 (A)*4 小二合一杆 2-in-1 small rod	 (B)*4 小三合一锁饼 3-in-1 small lock	 (C)*13 二合一螺杆 (35mm) 2-in-1-screw	 (D)*13 大三合一锁饼 (15mm) Three-in-one large lock
 (E)*4 木榫 Ø8x30mm wood tenon	 (F)*4 塑料螺母 Plastic Nut	 (G)*4 自攻螺丝 M4x40mm Self tapping screw	 (H)*13 自攻螺丝 M3.5x12mm Self tapping screw
 (I)*1 三节滚珠导轨 10" Three-section rail	 (J)*1 斜边十字螺杆-M6x30 bevel cross screw	 (K)*8 斜边十字螺杆-M6x15 bevel cross screw	 (L)*1 过山丝-M7x38mm Confirmat screw

编号NO.	名称Name	规格(mm) Specification	数量QTY	材质Material
①	面板Top panel	506*426*15	1	三胺板 Melamine
②	右侧板Side board(R)	426*93*15	1	三胺板 Melamine
③	左侧板Side board(L)	426*93*15	1	三胺板 Melamine
④	拉条Brace	474*58*15	1	三胺板 Melamine
⑤	假抽屉面板False drawer panel	506*123*15	1	实木 Wood
⑥	抽屉面板Drawer's top panel	506*123*15	1	实木 Wood
⑦	抽屉左侧板Drawer's side board(L)	295*78*12	1	三胺板 Melamine
⑧	抽屉右侧板Drawer's side board(R)	295*78*12	1	三胺板 Melamine
⑨	抽屉后板Drawer's Back board	424*78*12	1	三胺板 Melamine
⑩	抽屉底板Drawer's Bottom board	434*291*5	1	三胺板 Melamine
⑪	岩板rock beam	1200*600*32	1	岩板+实木 rock beam+Wood

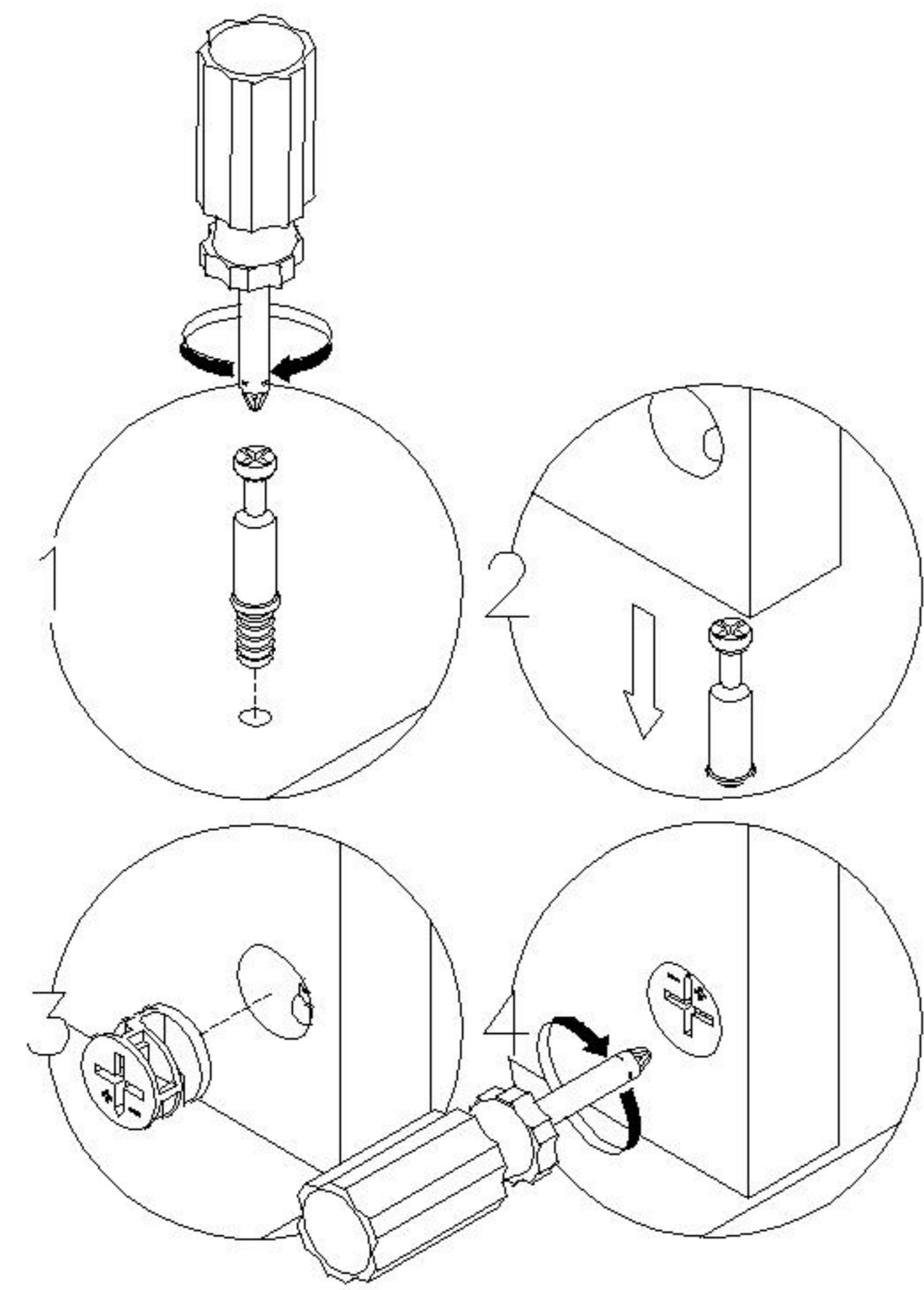
五金架内带五金 Hardware rack with hardware inside

 (M)*2 侧框 Side frame	 (N)*1 底框 bottom frame	 (O)*4 十字平头螺杆-M6x35 Cross flat head screw
---	--	---

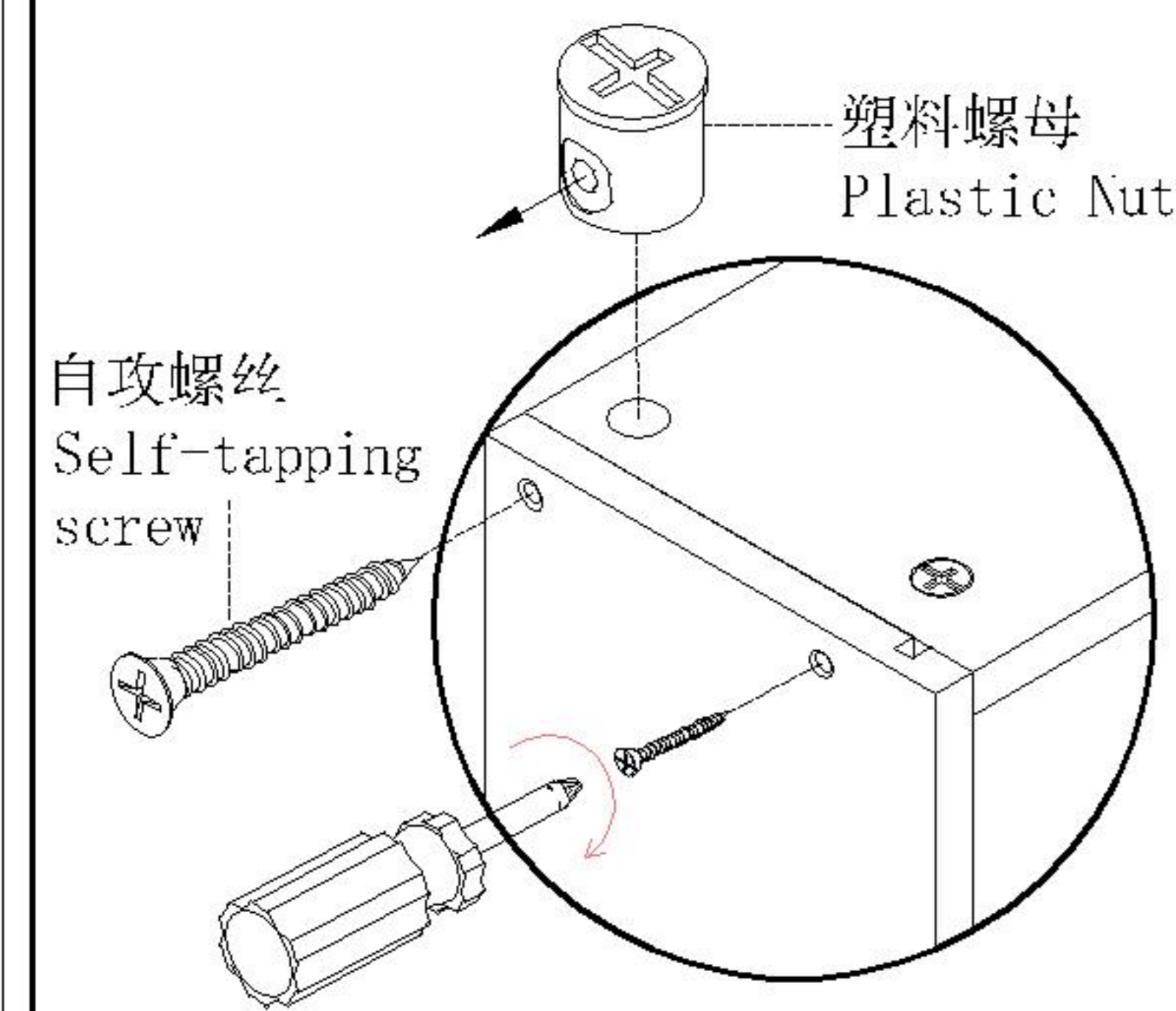
KQ1L-A

安装方法

Installation method

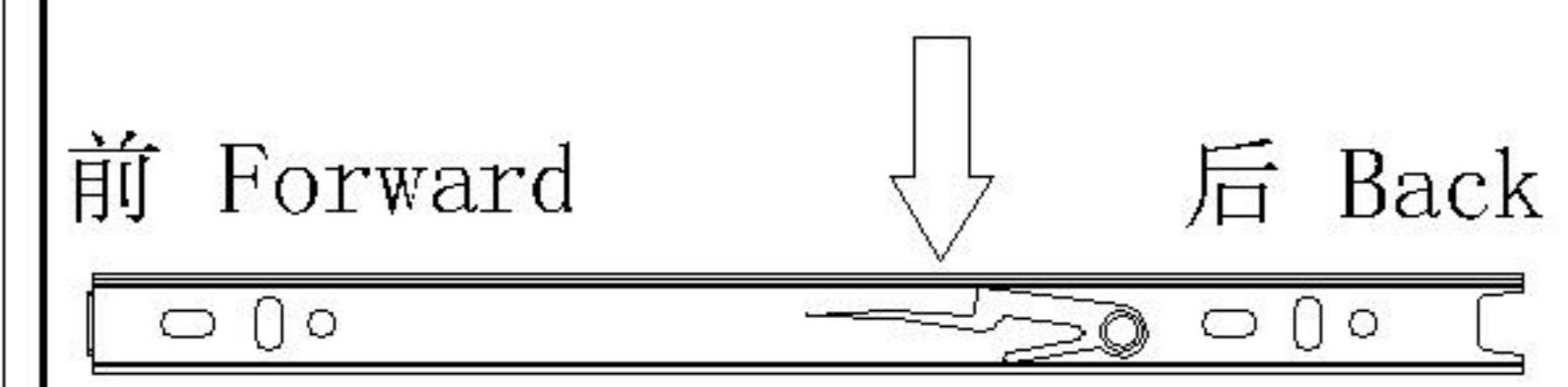


二合一
two-in-one

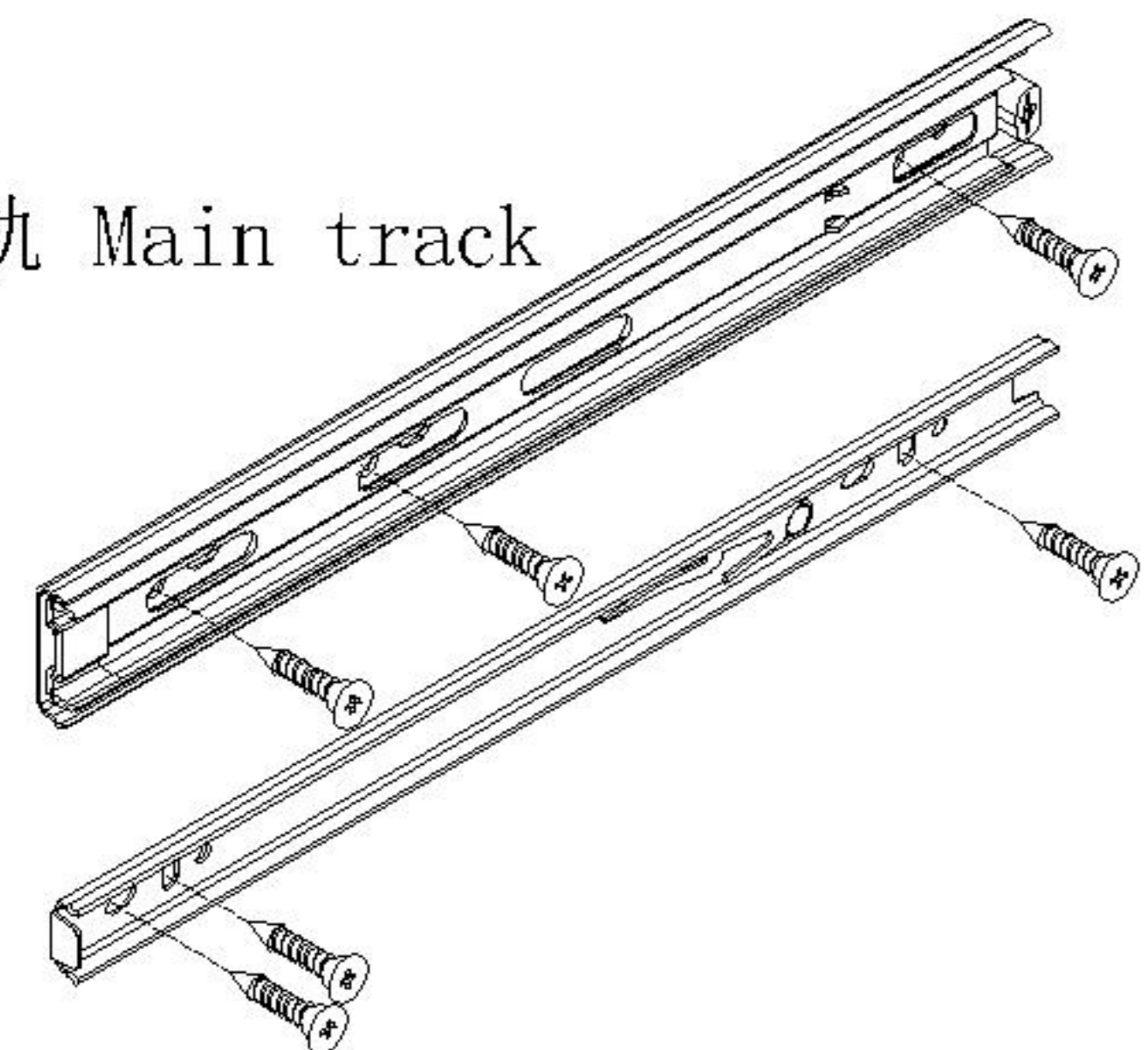


塑料螺母
Plastic Nut

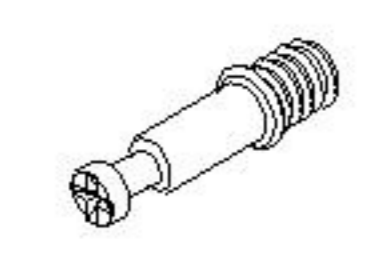
阀门开关(下压为开)
Valve switch (press down to open)



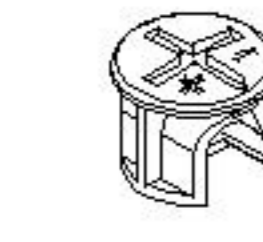
主轨 Main track



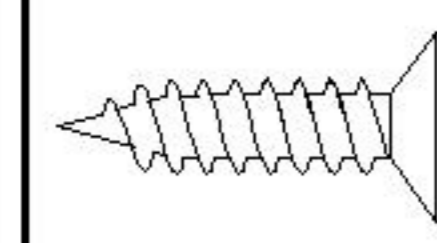
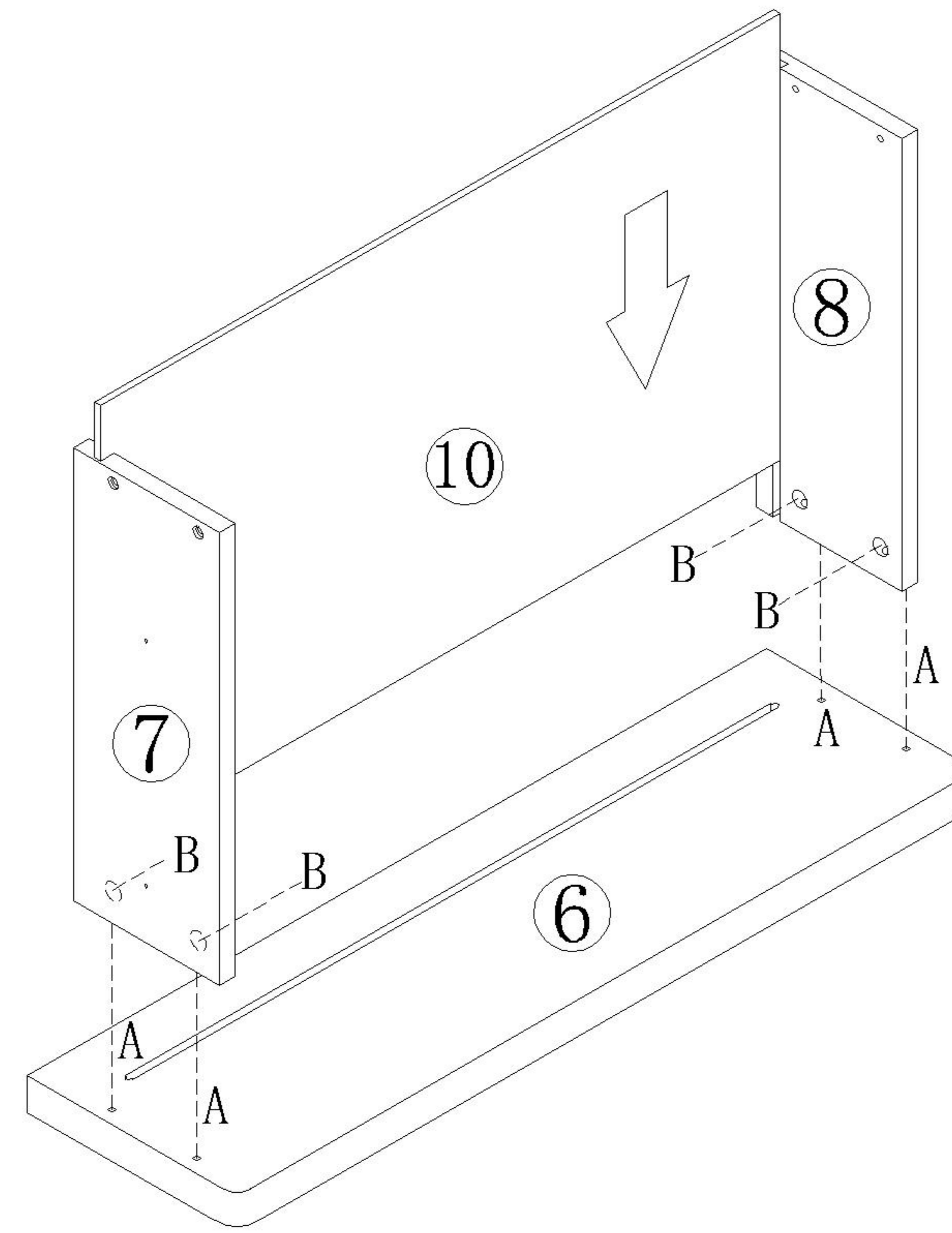
三节滚珠导轨
Three-section rail



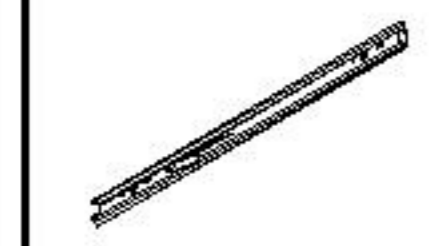
(A)*4



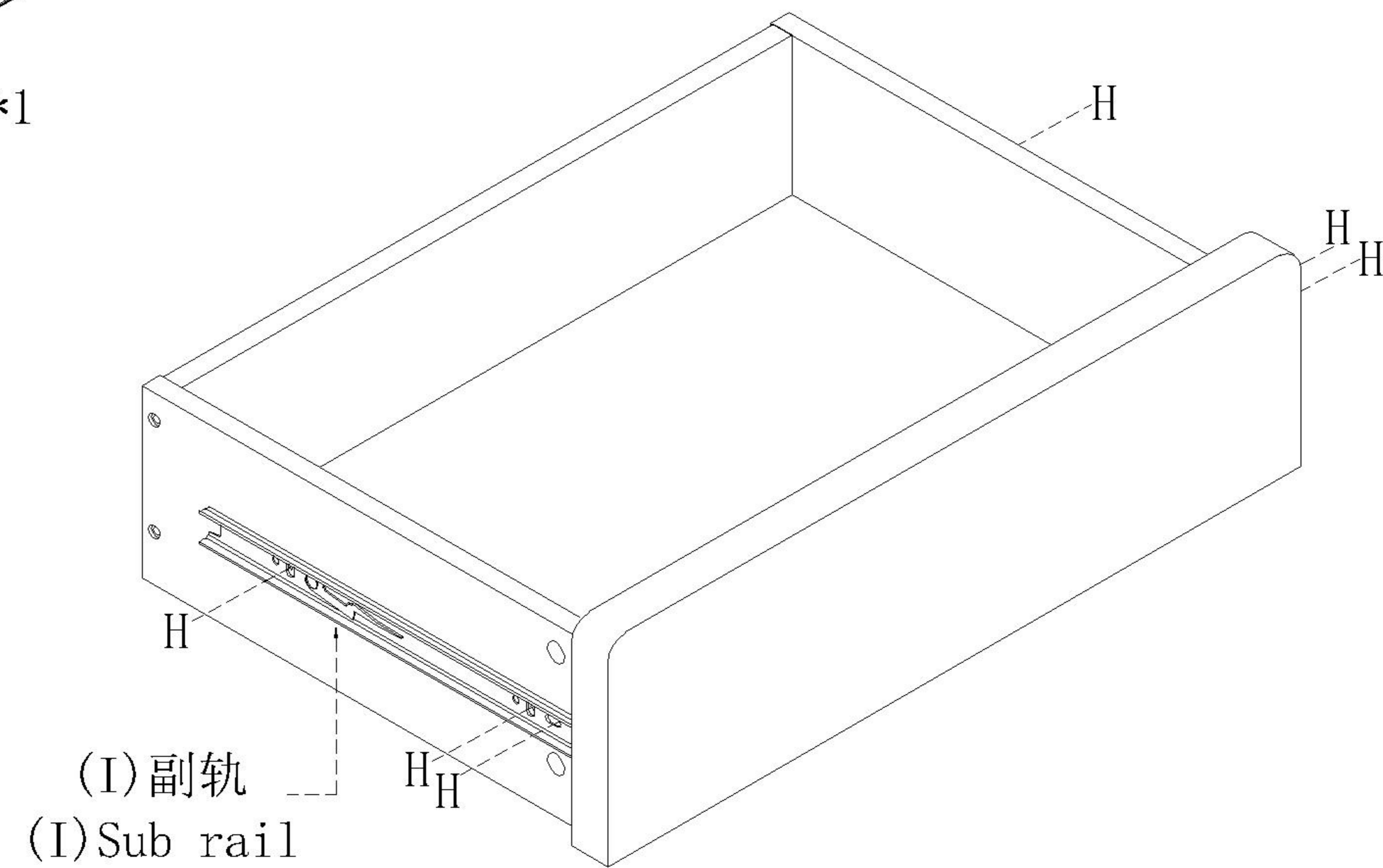
(B)*4



(H)*6

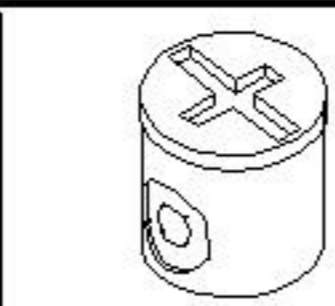


(I)*1

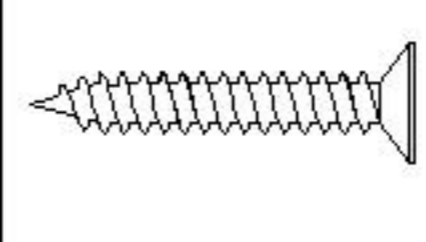


(I) 副轨
(I) Sub rail

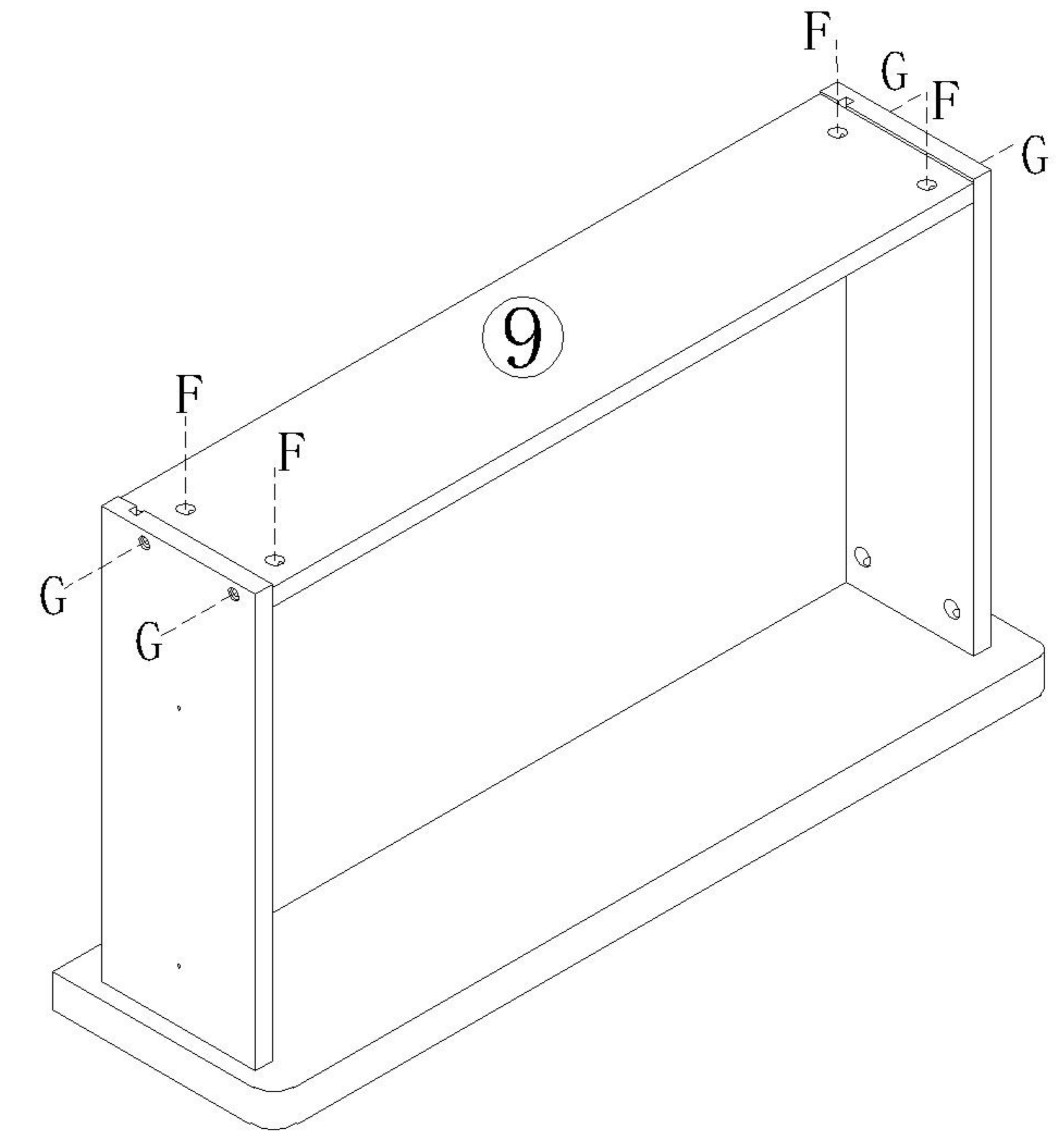
1



(F)*4

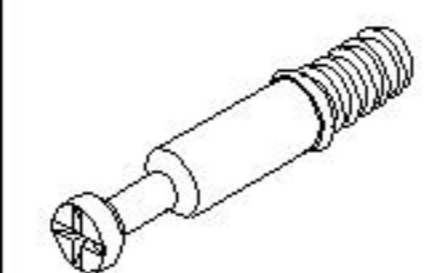


(G)*4

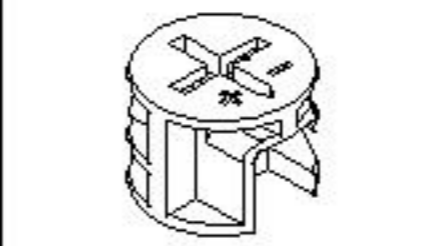


2

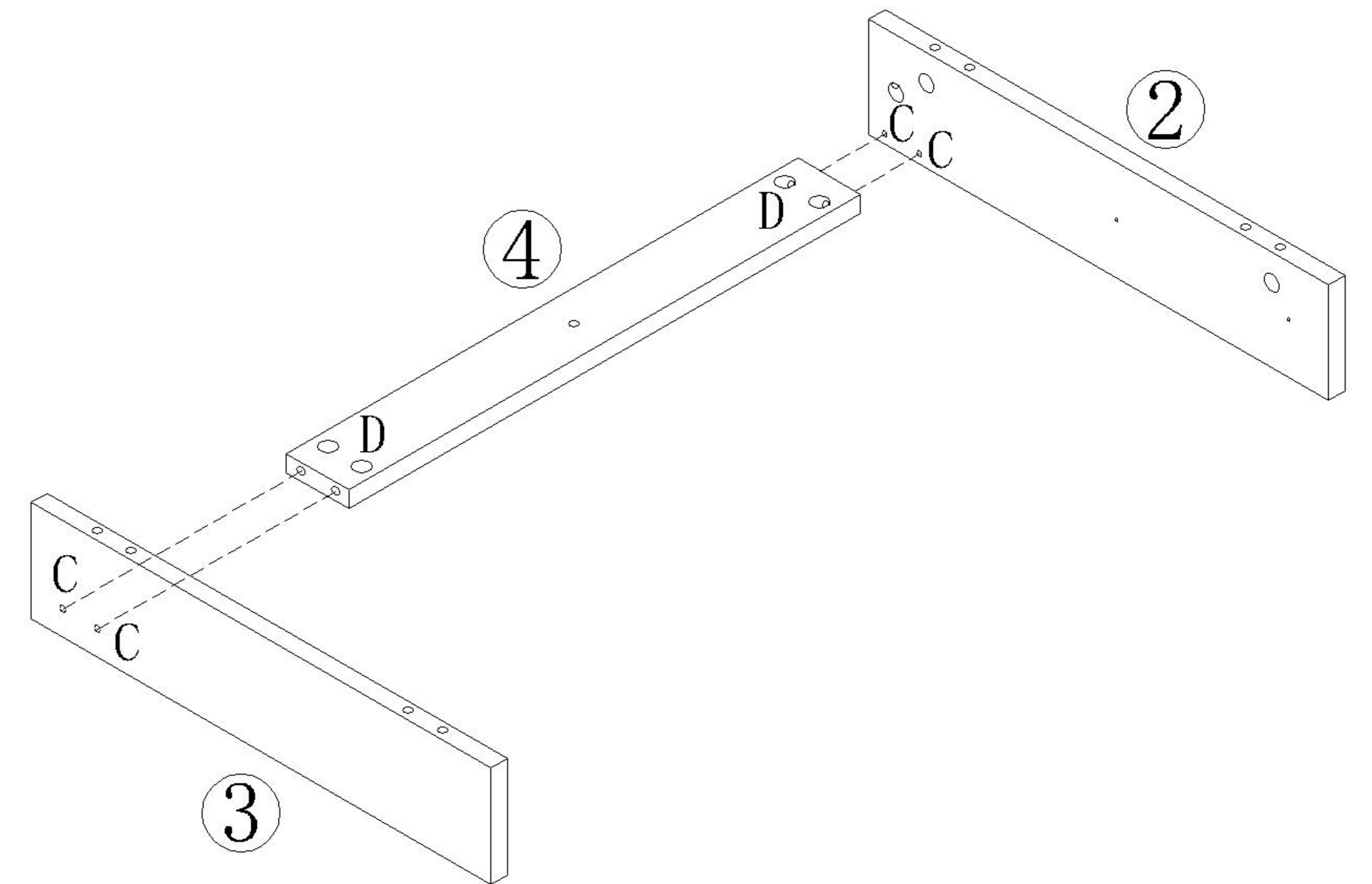
3



(C)*4



(D)*4

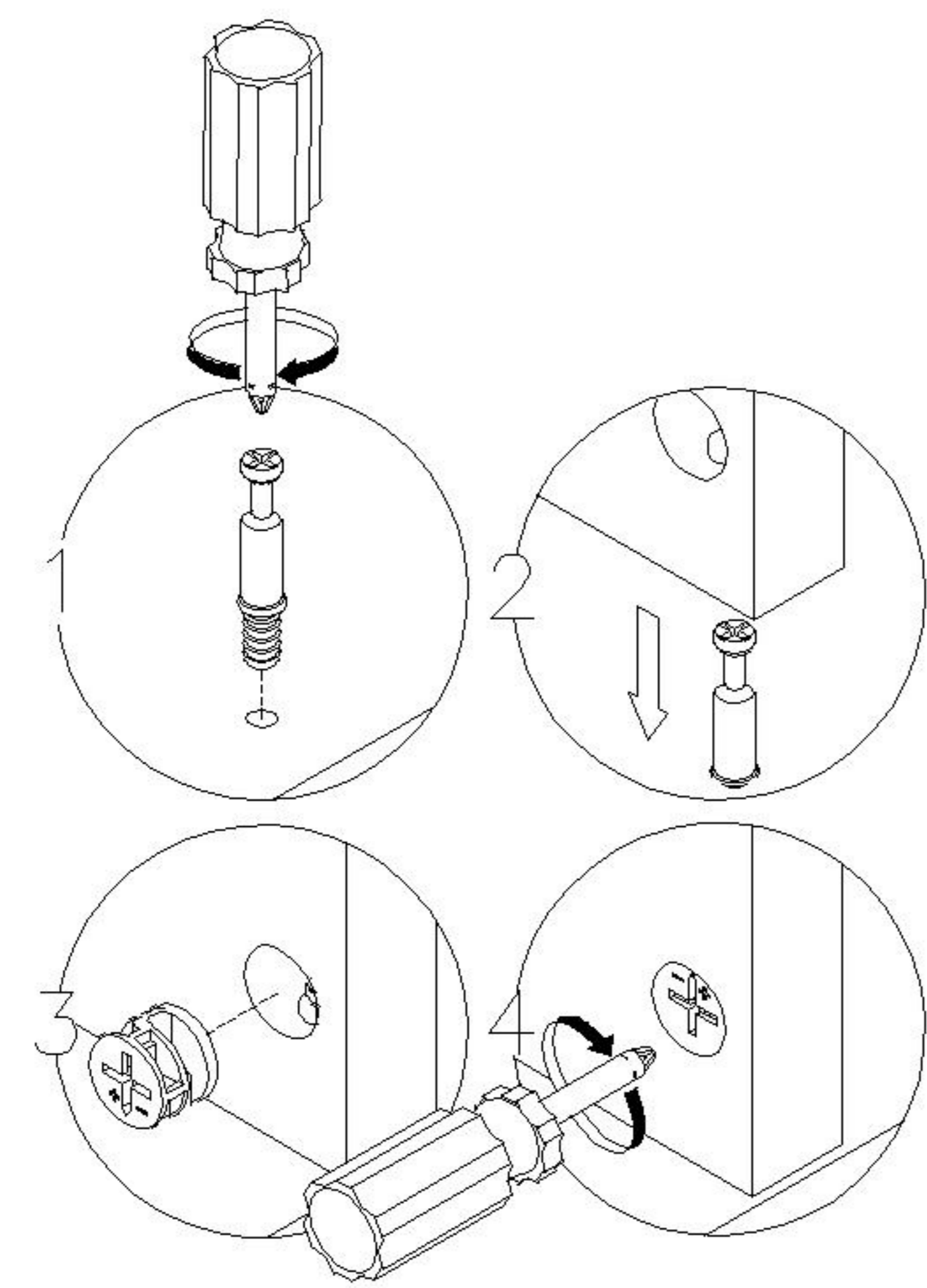


4

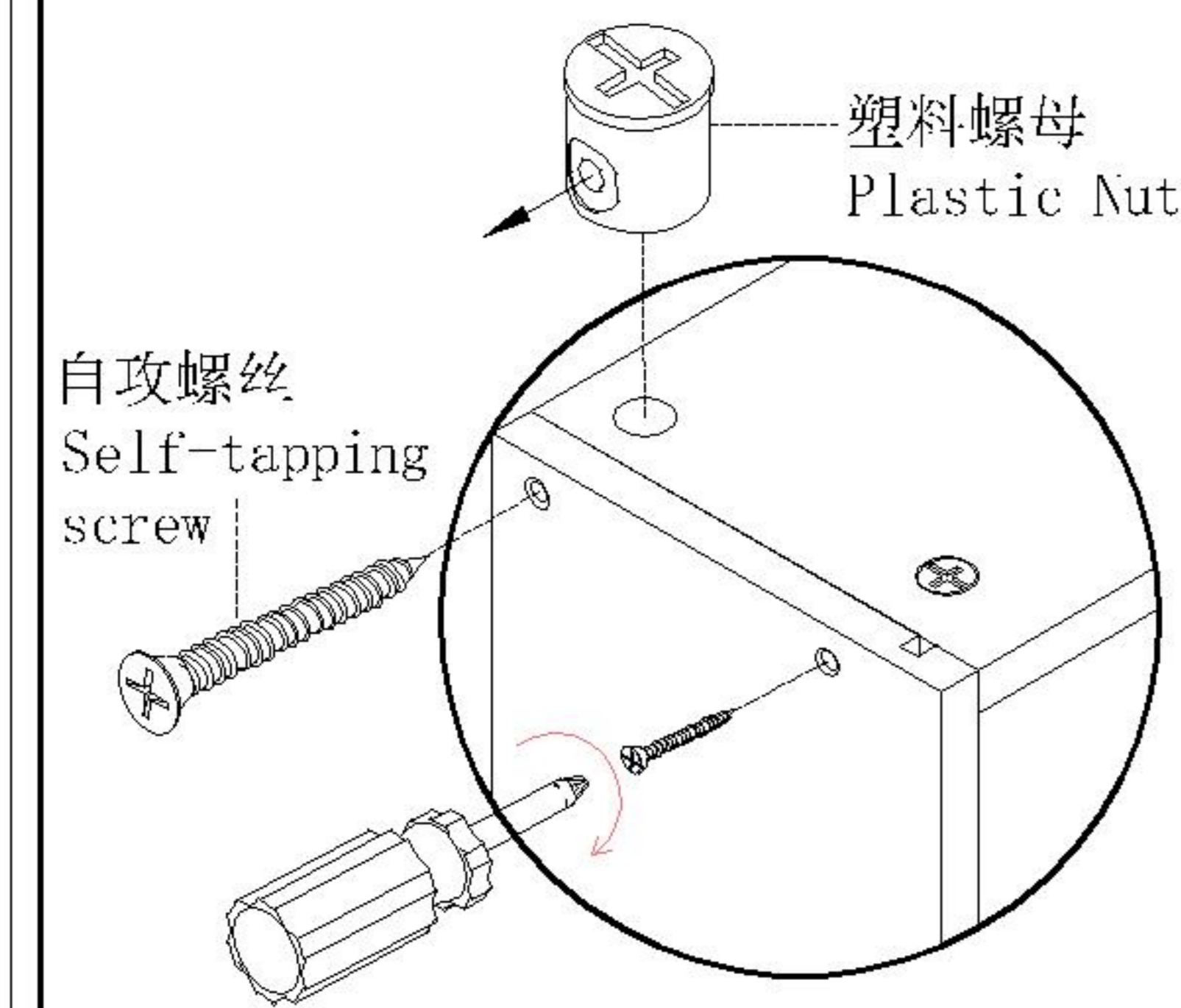
KQ1L-A

安装方法

Installation method

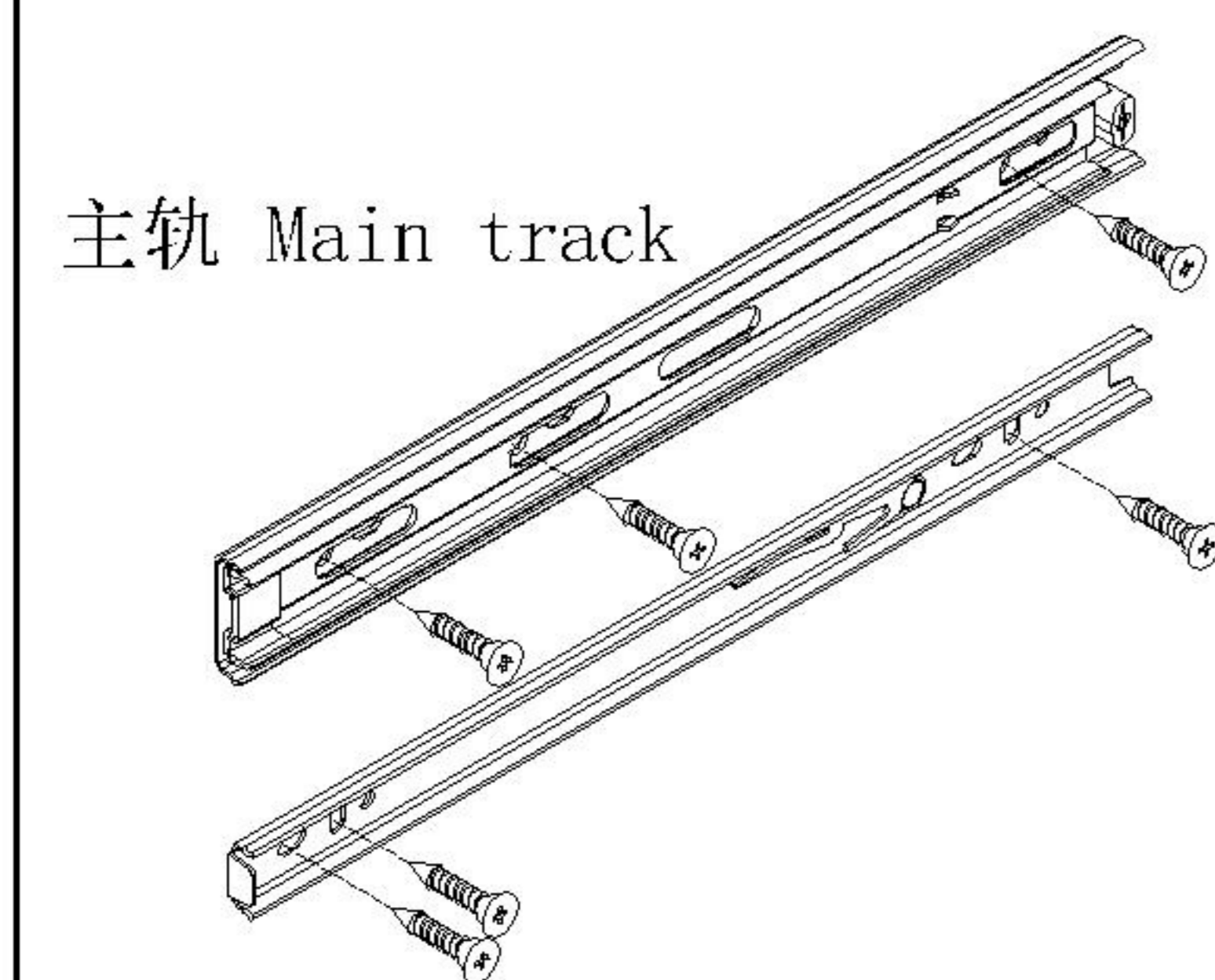
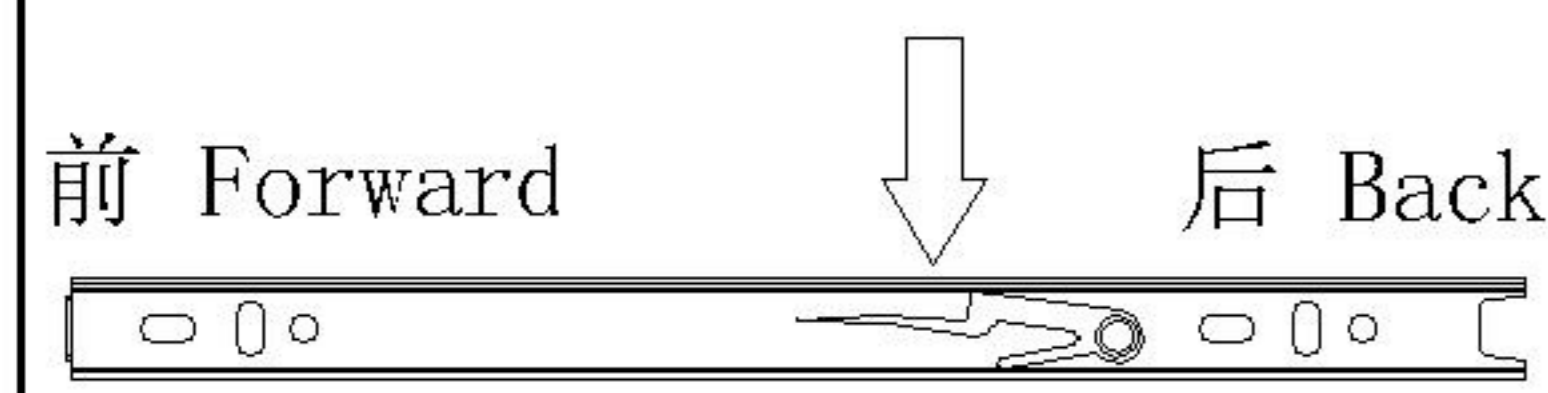


二合一
two-in-one



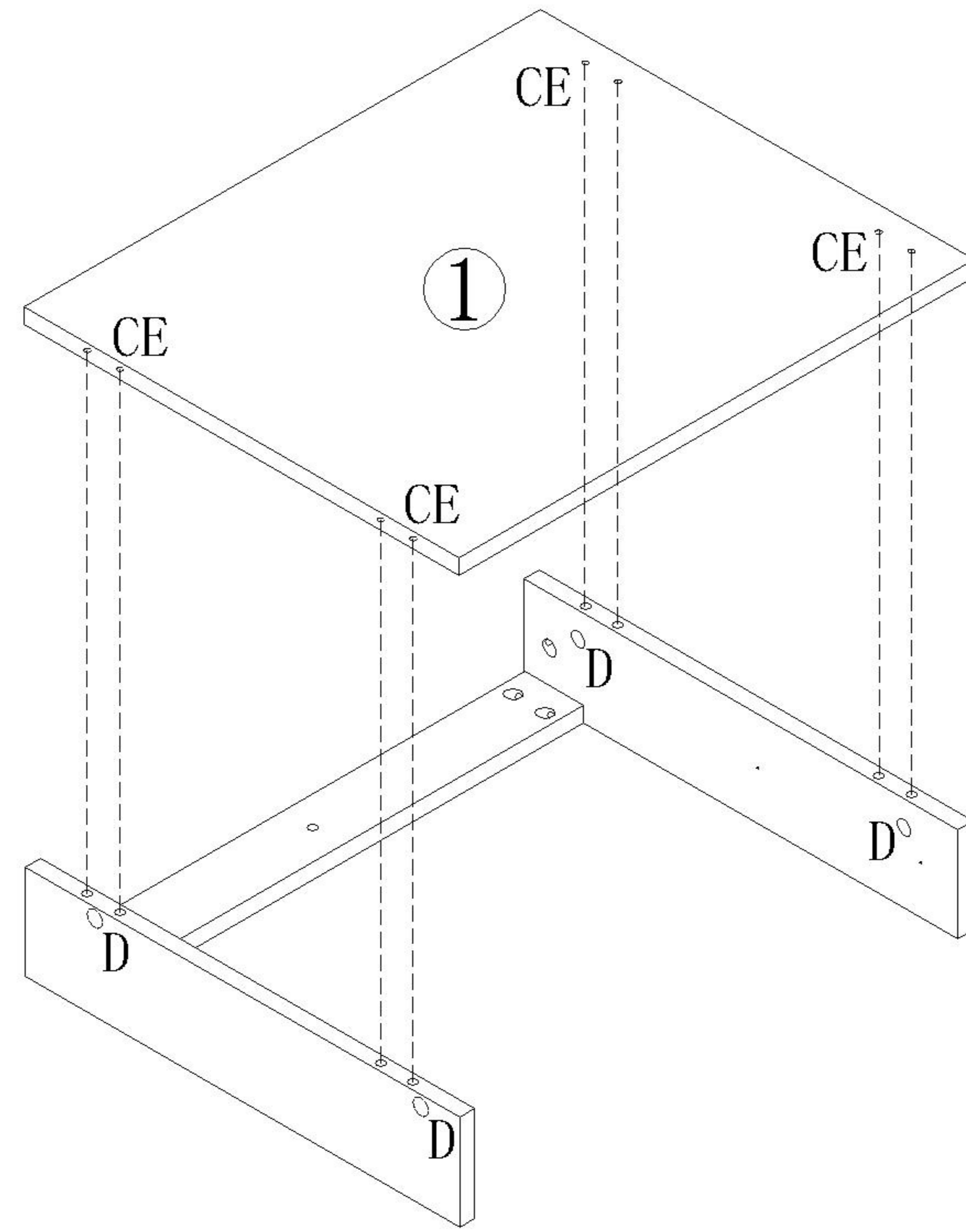
塑料螺母
Plastic Nut

阀门开关(下压为开)
Valve switch (press down to open)

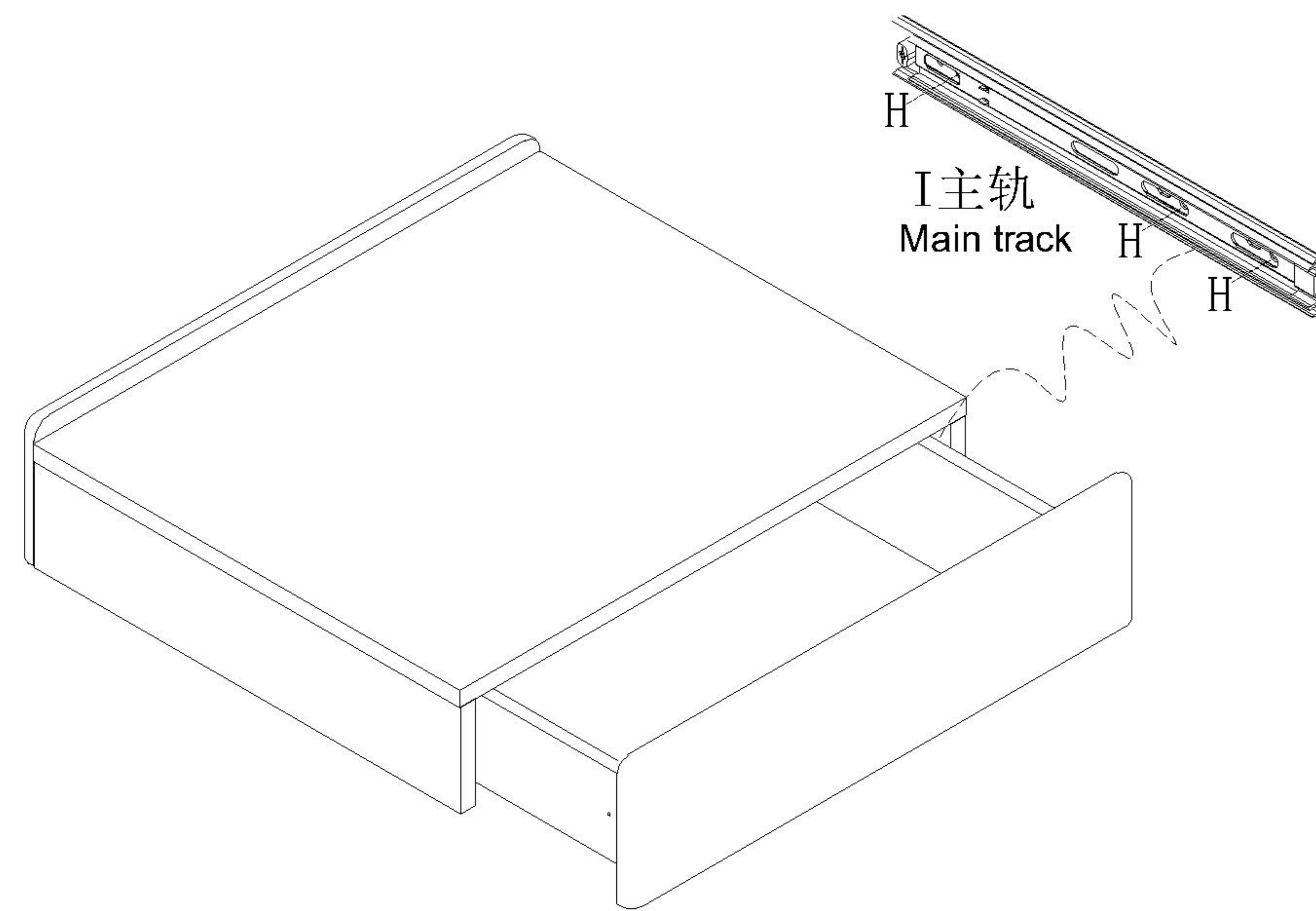


三节滚珠导轨
Three-section rail

- (C)*4
- (D)*4
- (E)*4

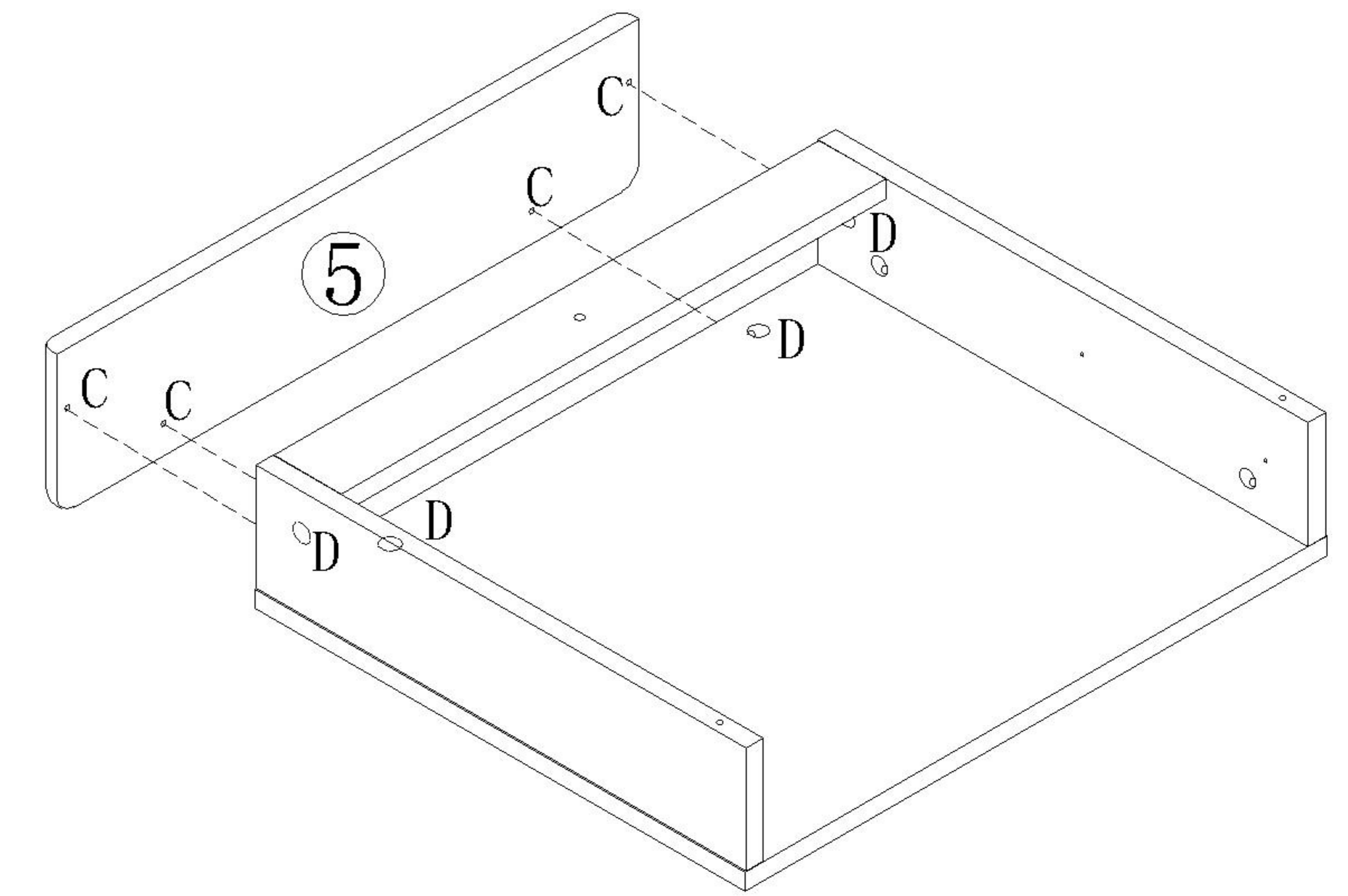


- (I)*1
- (H)*6



5

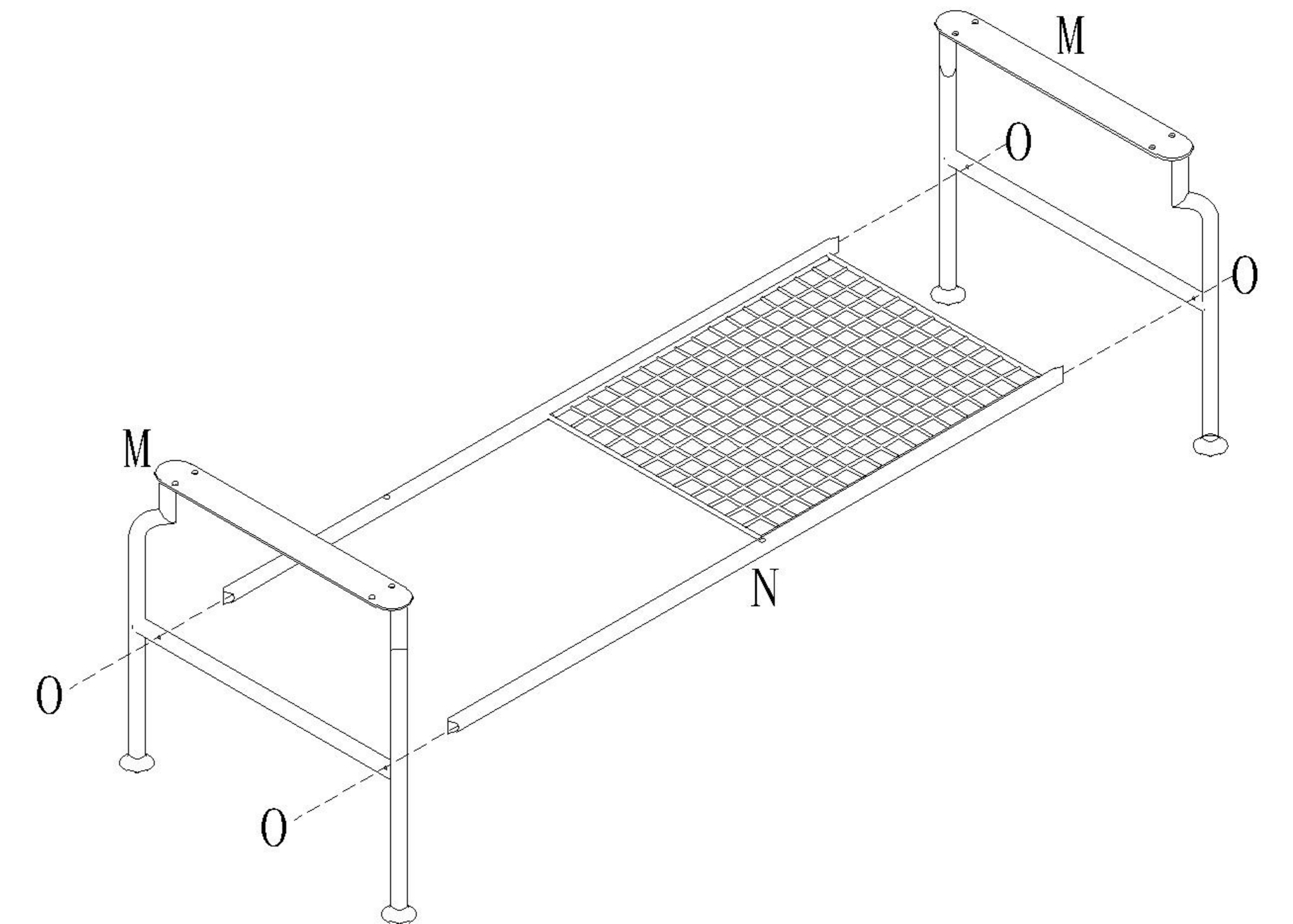
- (C)*4
- (D)*4



6

7


- (M)*2
- (N)*1
- (O)*4

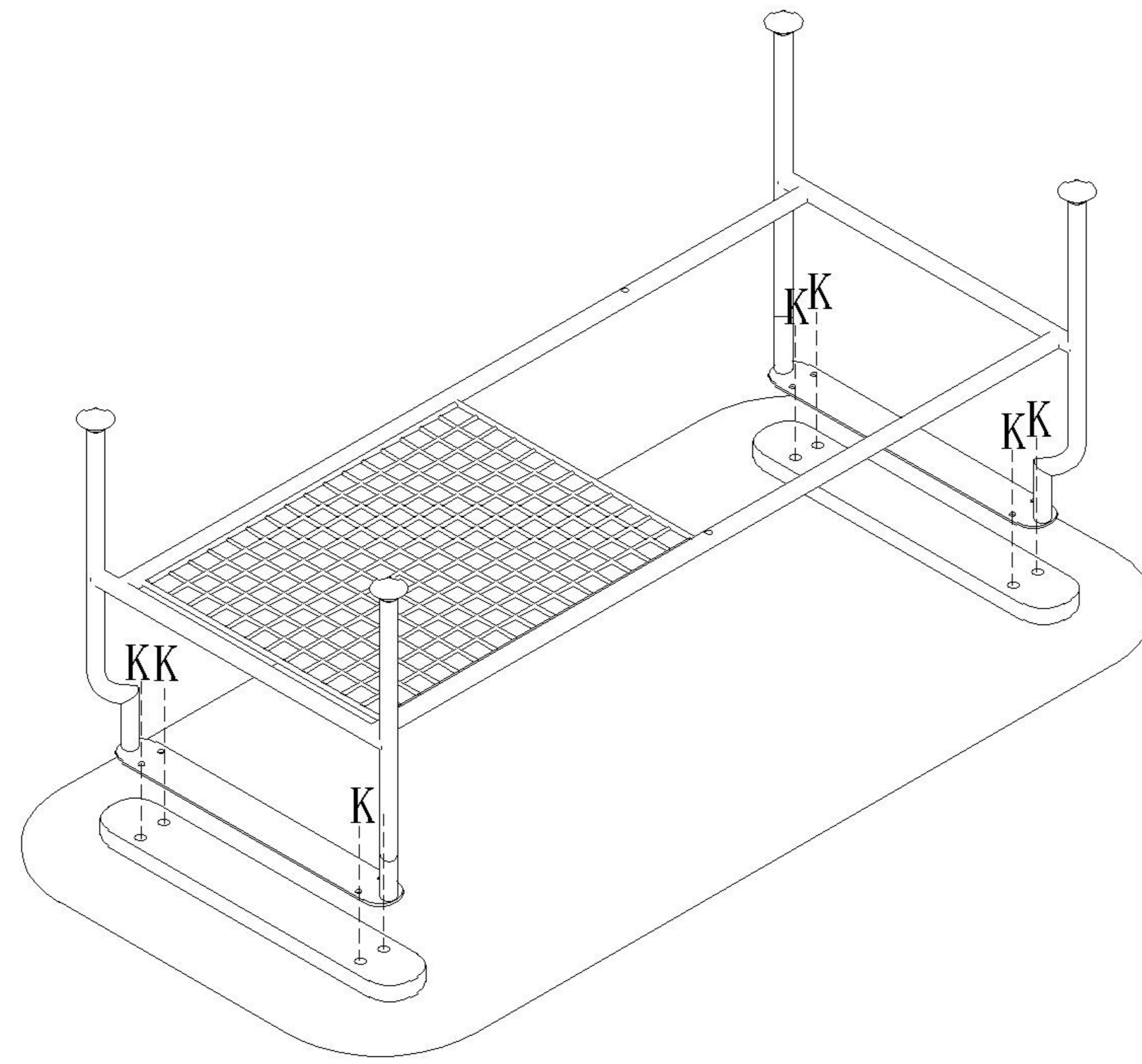


8

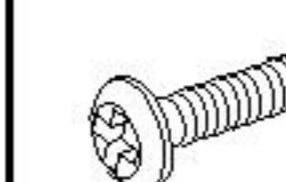
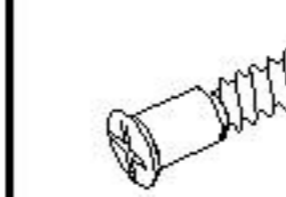
KQ1L-A

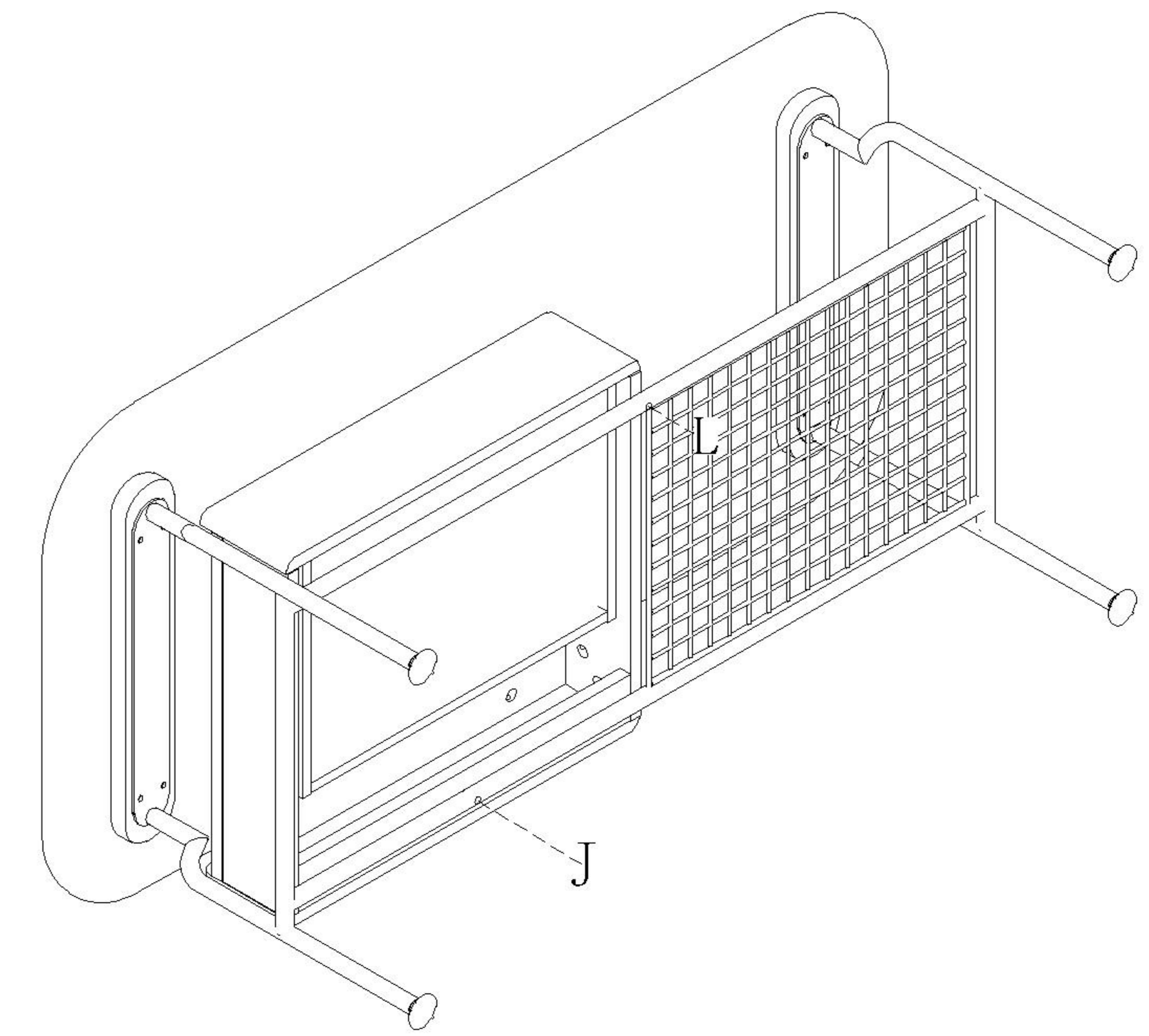
安装方法
Installation method


(K)*8



9


(J)*1

(L)*1



10

11

