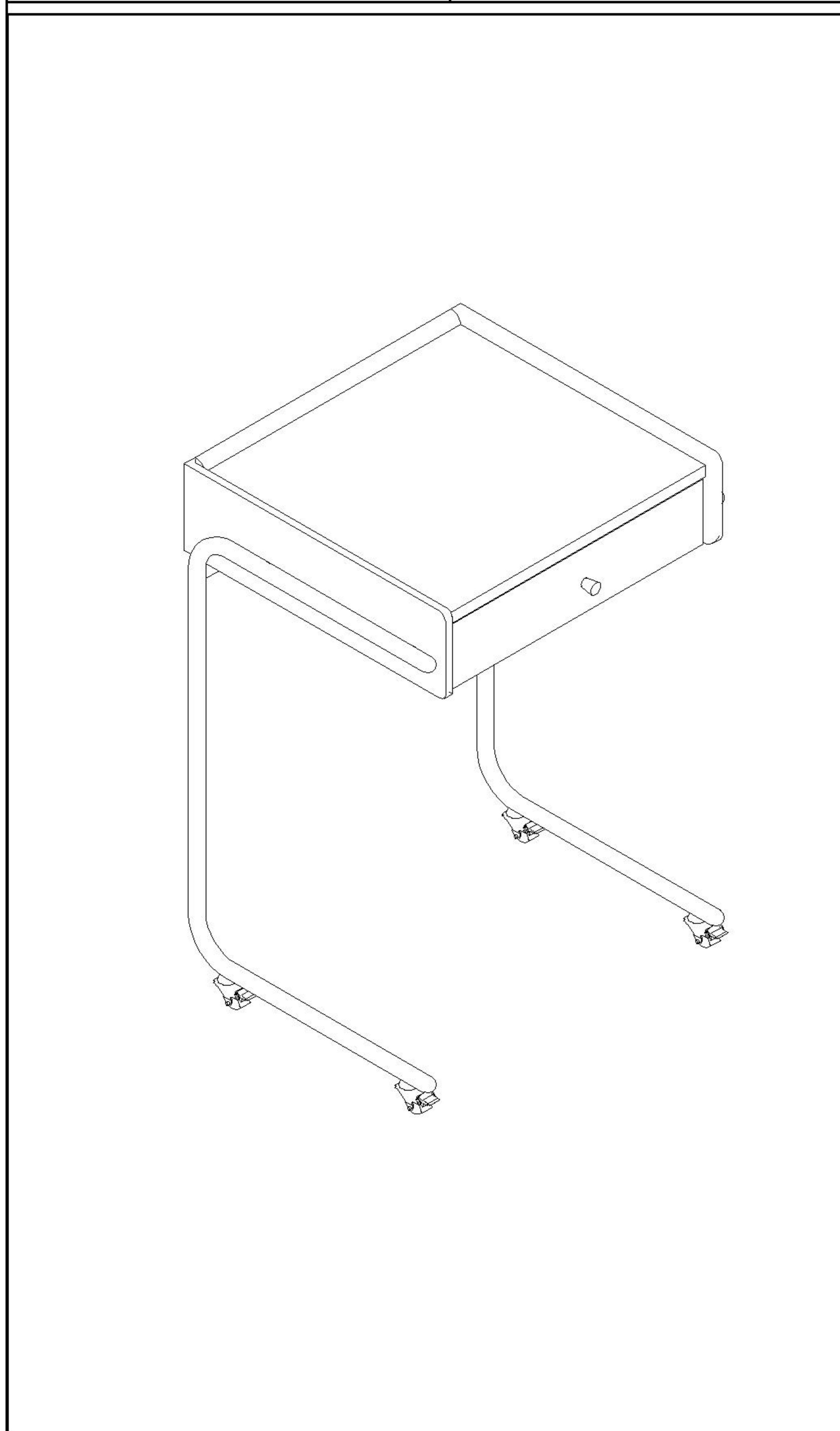


安装示意图/Assembly Instruction

产品名称 Model NO.	KQ1J-A
产品规格 Specification	458*398*660mm
安装工具 Tool	安装人数 Installer



 (A)*4 小二合一杆 2-in-1 small rod	 (B)*4 小三合一锁饼 3-in-1 small lock	 (C)* 8 二合一螺杆 (35mm) 2-in-1-screw	 (D)* 8 大三合一锁饼 (15mm) Three-in-one large lock
 (E)* 4 木榫 Ø8x30mm wood tenon	 (F)*4 塑料螺母 Plastic Nut	 (G)* 4 自攻螺丝 M4x40mm Self tapping screw	 (H)* 13 自攻螺丝 M3.5x12mm Self tapping screw
 (I)*1 三节滚珠导轨 10" Three-section rail	 (J)*4 斜边十字螺杆-M6x25 bevel cross screw	 (K)*1 拉手螺丝-M4x18mm Pulling screw	 (L)* 1 圆拉手 Round handle

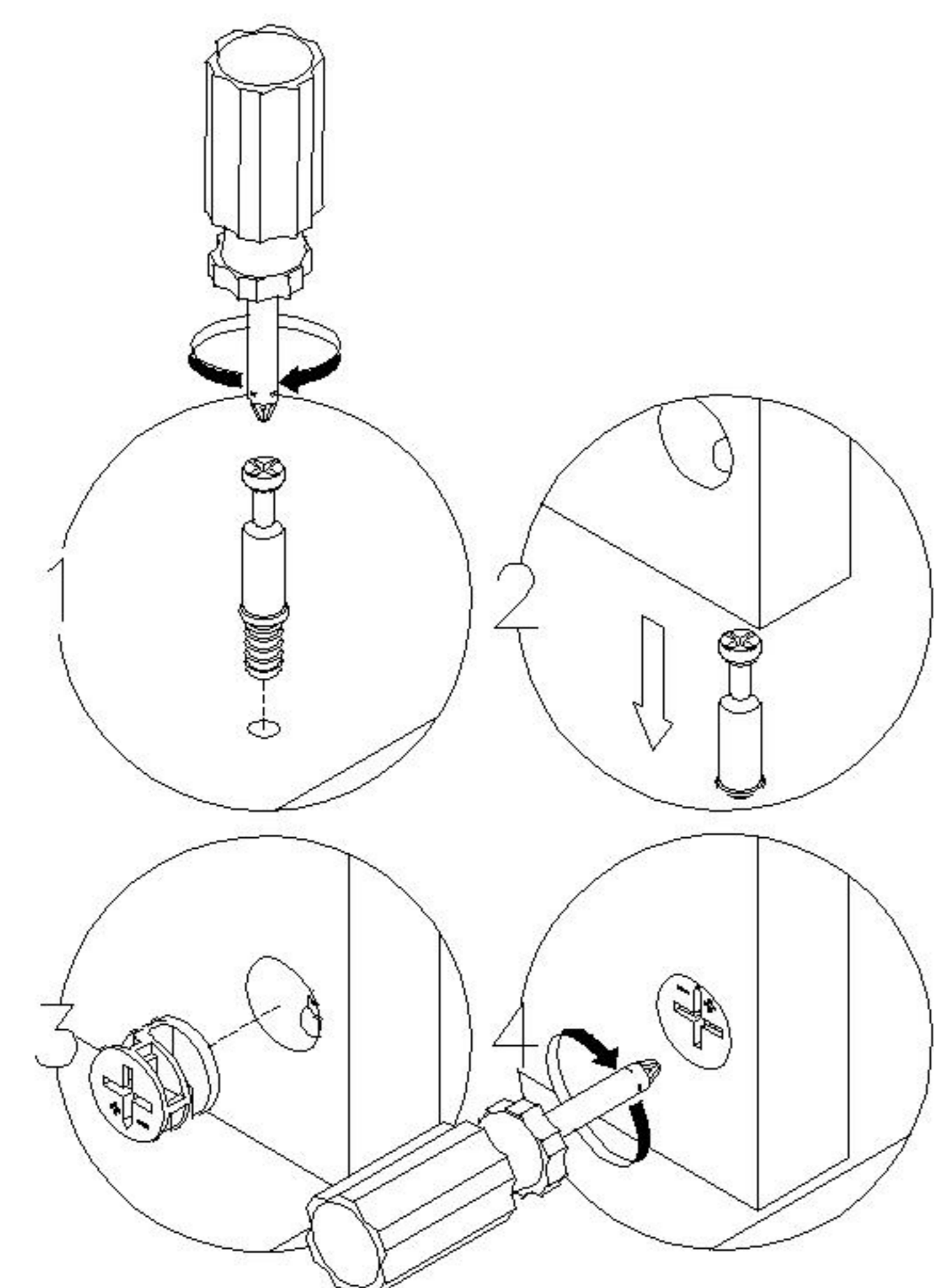
编号NO.	名称Name	规格(mm) Specification	数量QTY	材质Material
①	面板 Top panel	390*372*15	1	三胺板 Melamine
②	右侧板 Side board (R)	398*115*15	1	实木 Wood
③	左侧板 Side board (L)	398*115*15	1	实木 Wood
④	背板 Back board	390*115*15	1	实木 Wood
⑤	抽屉面板 Drawer's top panel	386*86*15	1	三胺板 Melamine
⑥	抽屉左侧板 Drawer's side board (L)	295*78*12	1	三胺板 Melamine
⑦	抽屉右侧板 Drawer's side board (R)	295*78*12	1	三胺板 Melamine
⑧	抽屉后板 Drawer's Back board	340*78*12	1	三胺板 Melamine
⑨	抽屉底板 Drawer's Bottom board	350*291*5	1	三胺板 Melamine

五金架内带五金 Hardware rack with hardware inside

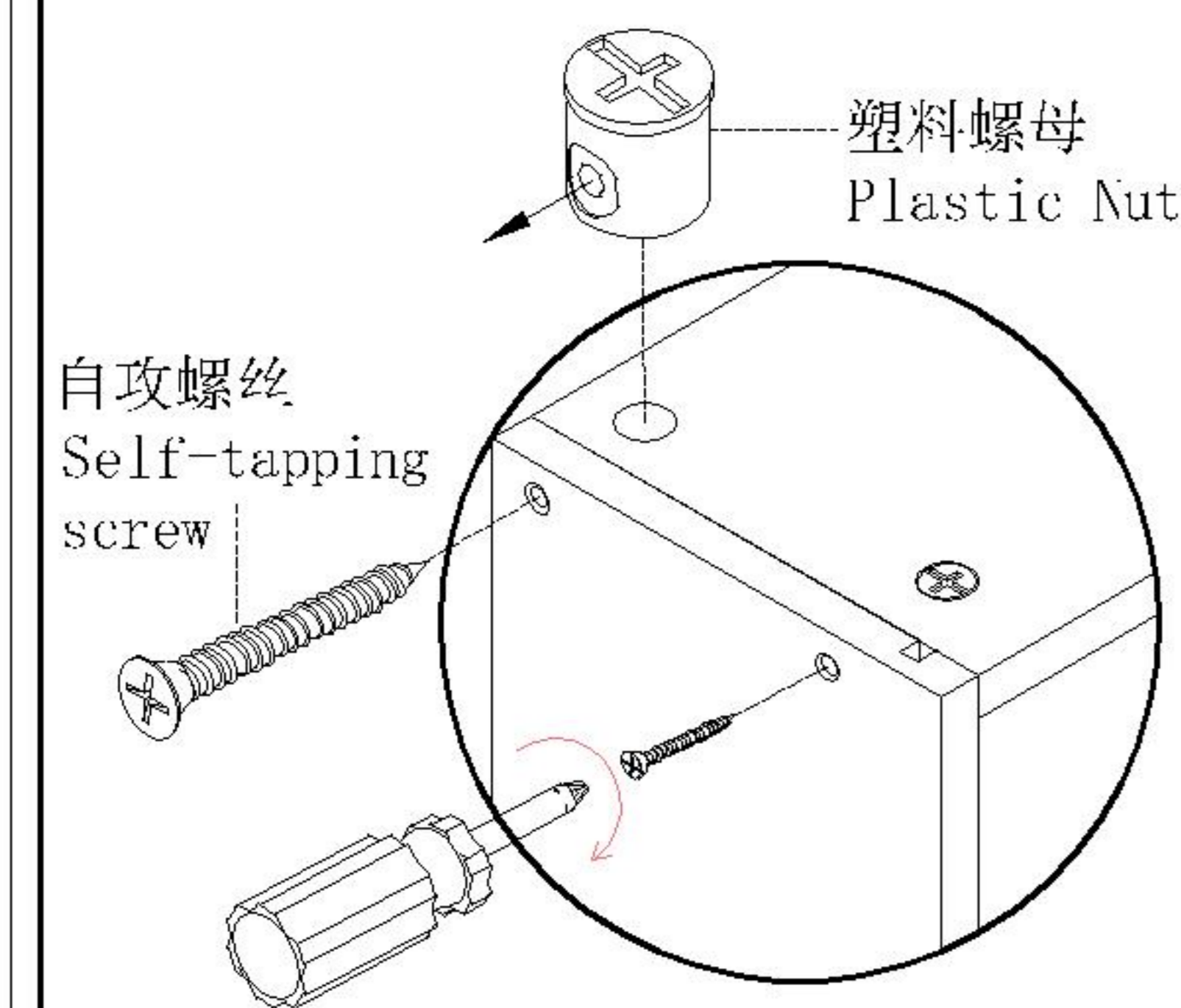
 (M)* 1 右侧框 Right Box	 (N)* 1 左侧框 Left Box	 (O)* 1 拉条 brace	 (P)*2 十字平头螺杆-M6x35 Cross flat head screw
 (Q)*4 万向轮 Universal wheel			

KQ1J-A

安装方法
Installation method

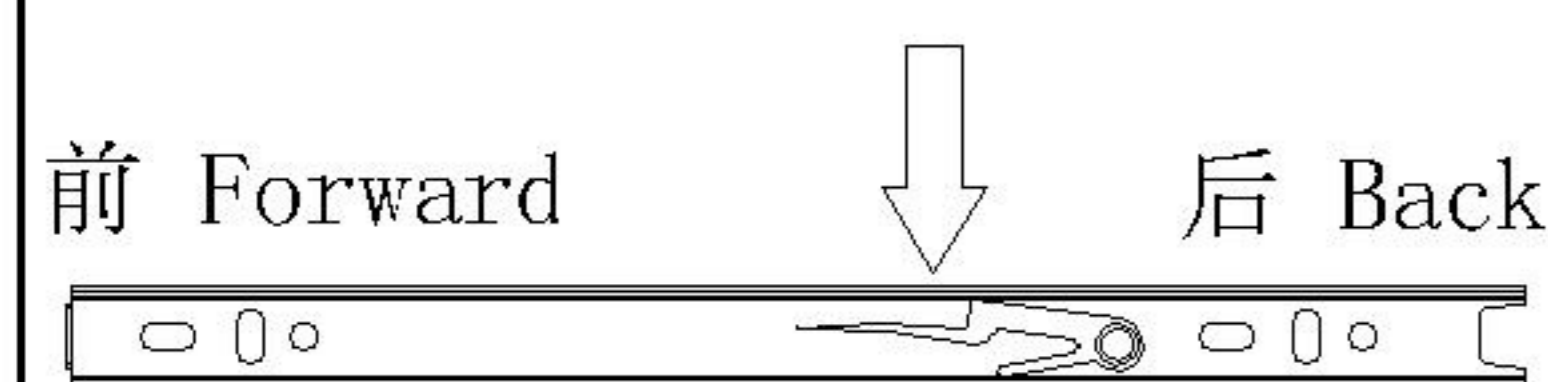


二合一
two-in-one

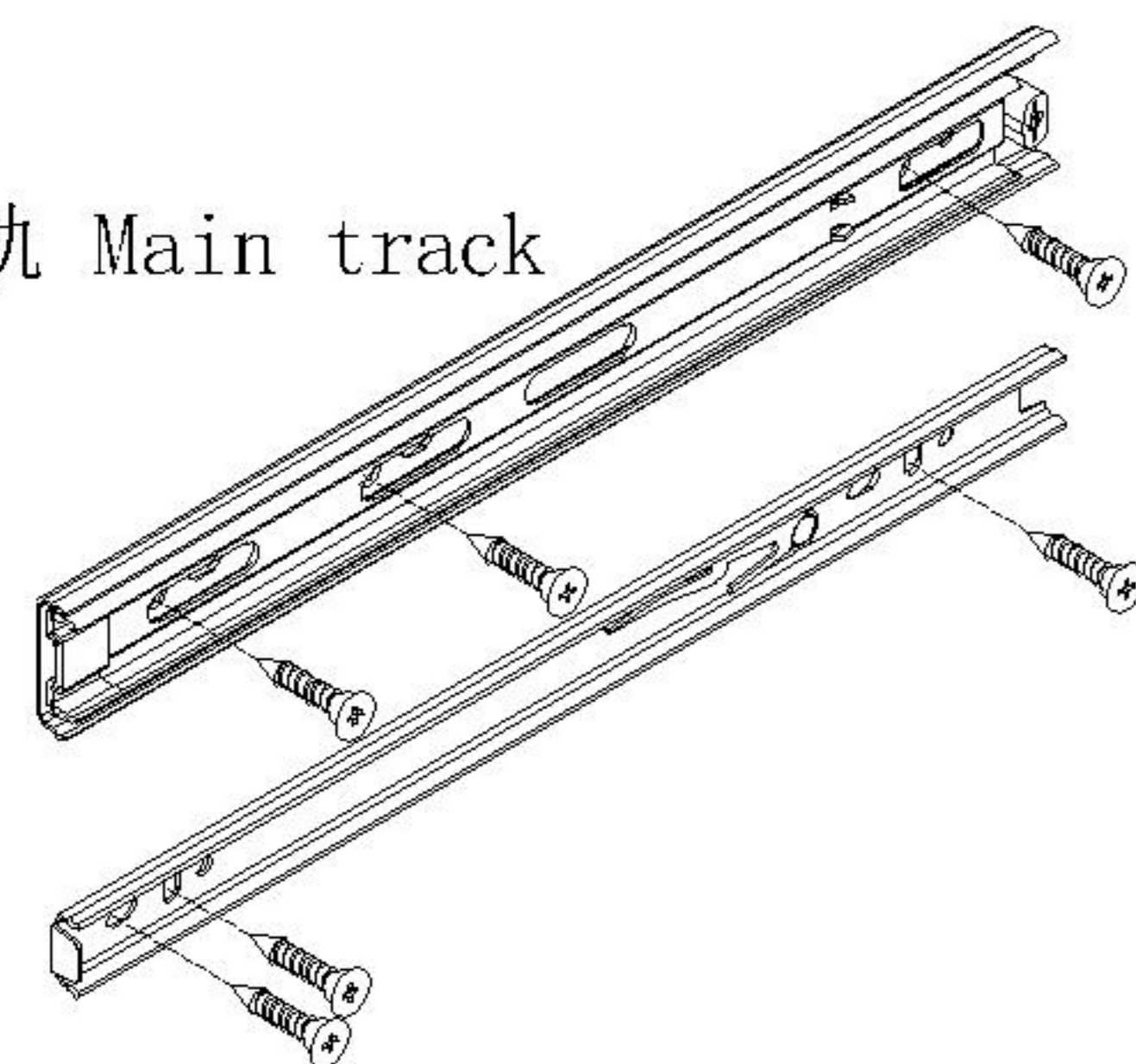


塑料螺母
Plastic Nut

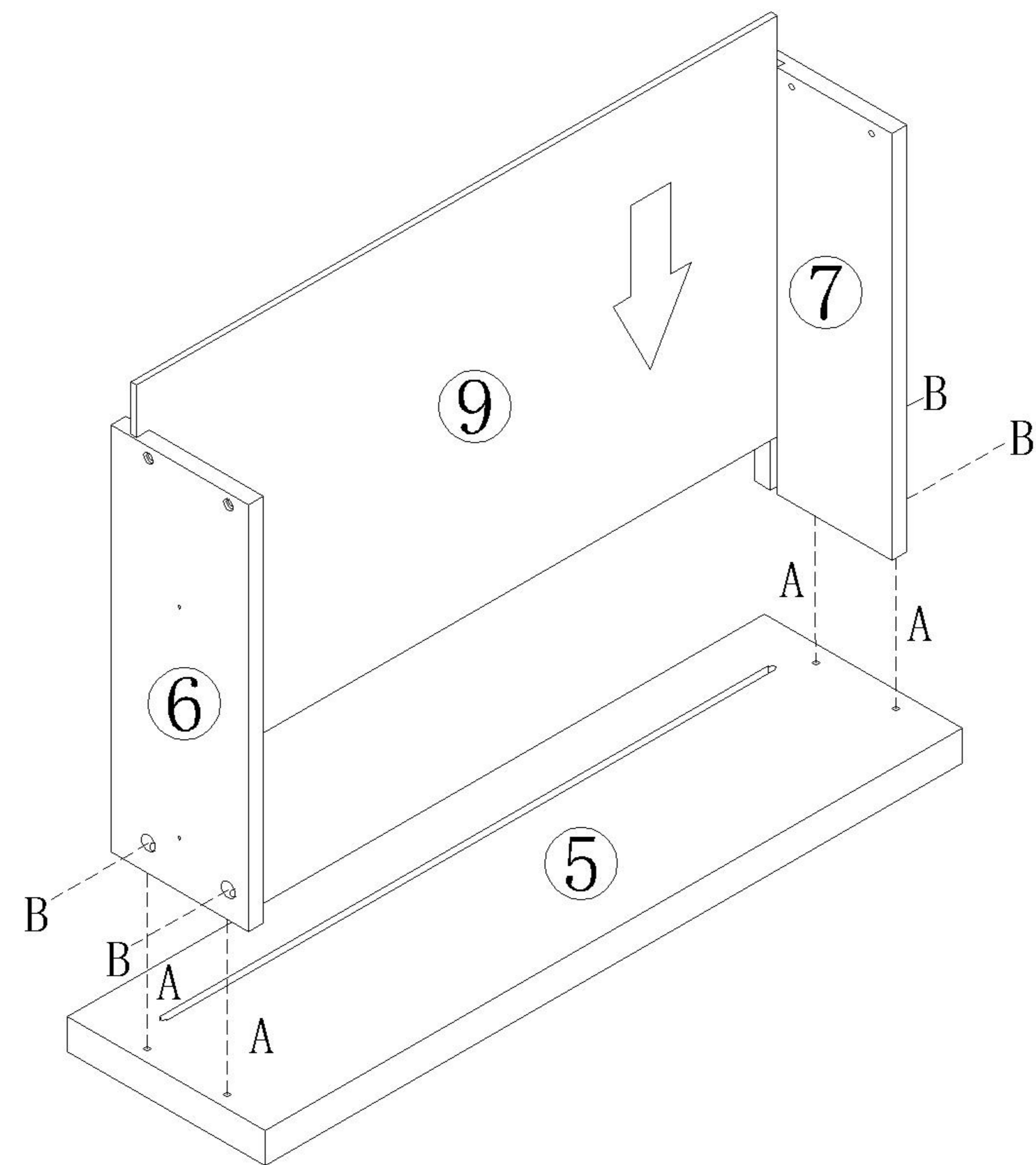
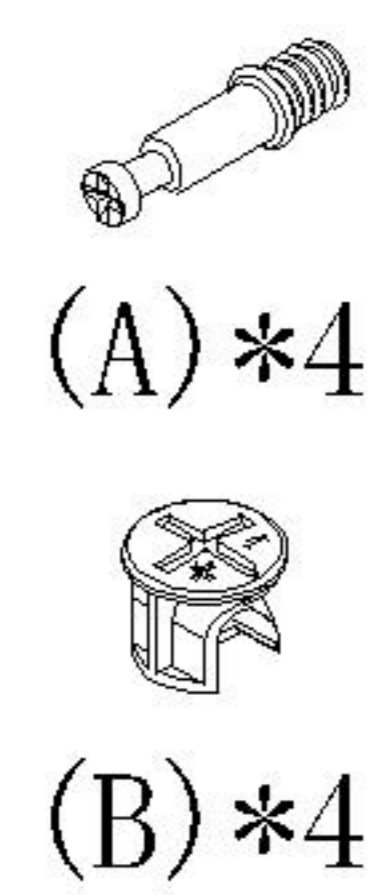
阀门开关(下压为开)
Valve switch (press down to open)



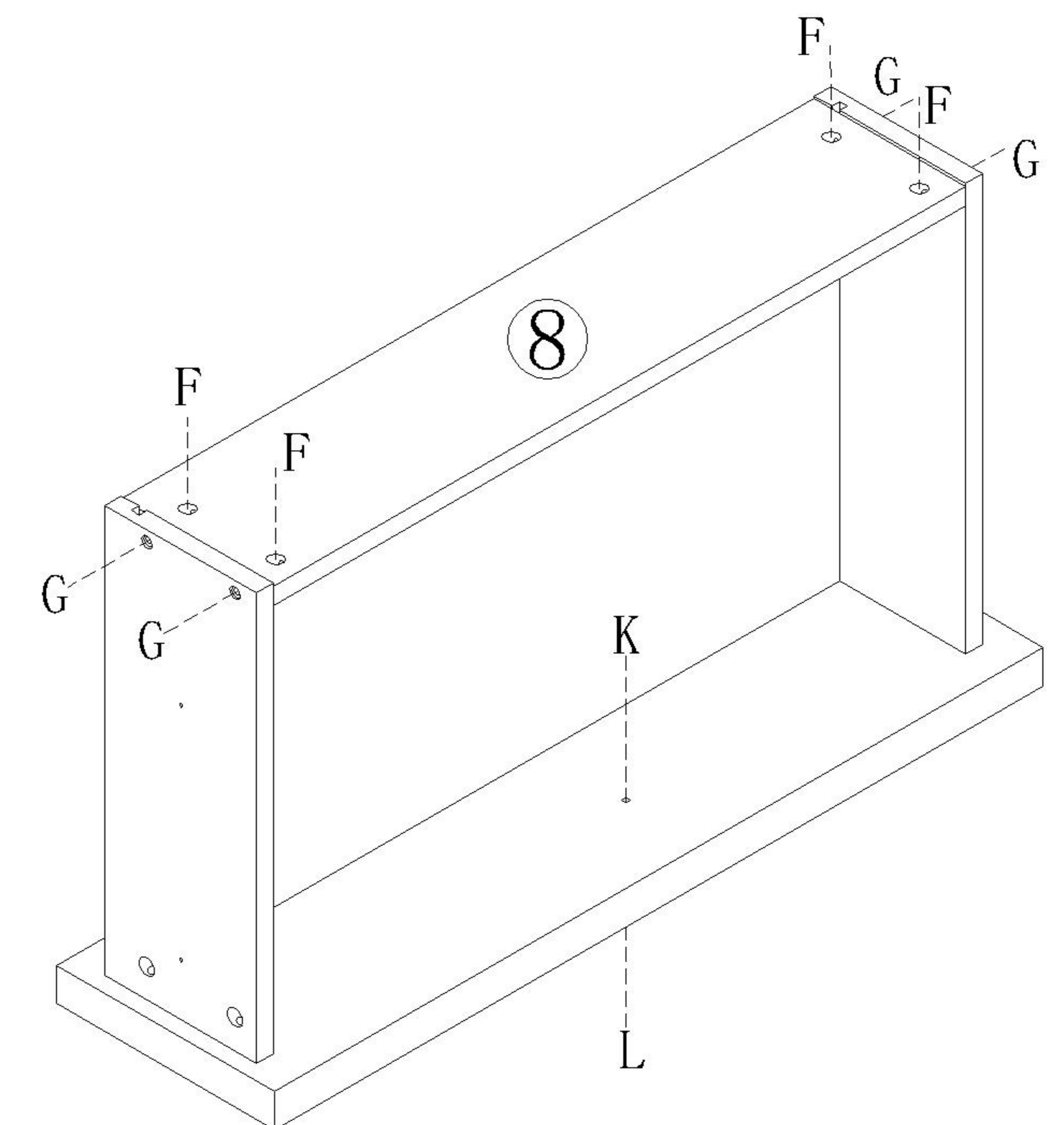
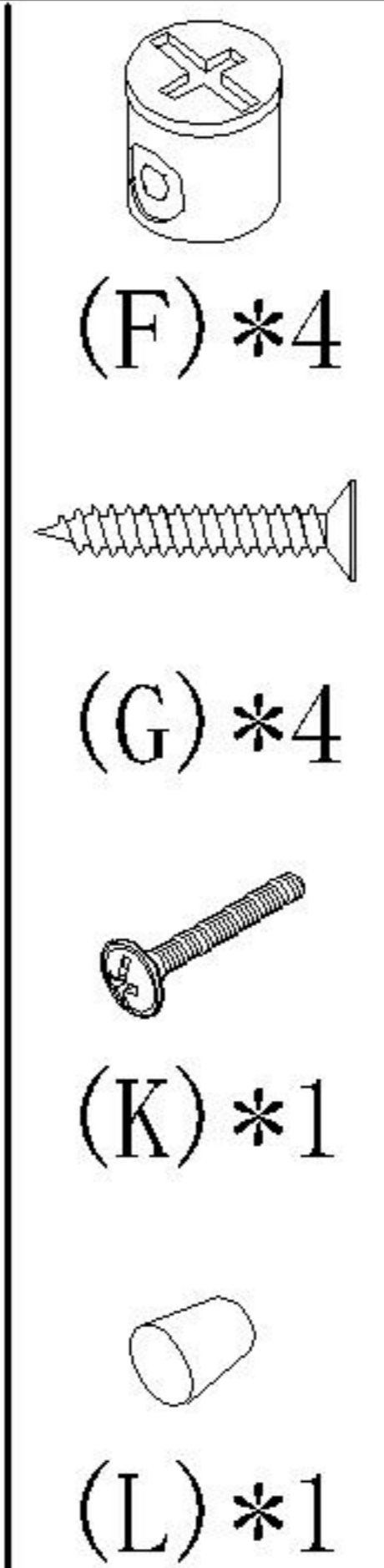
主轨 Main track



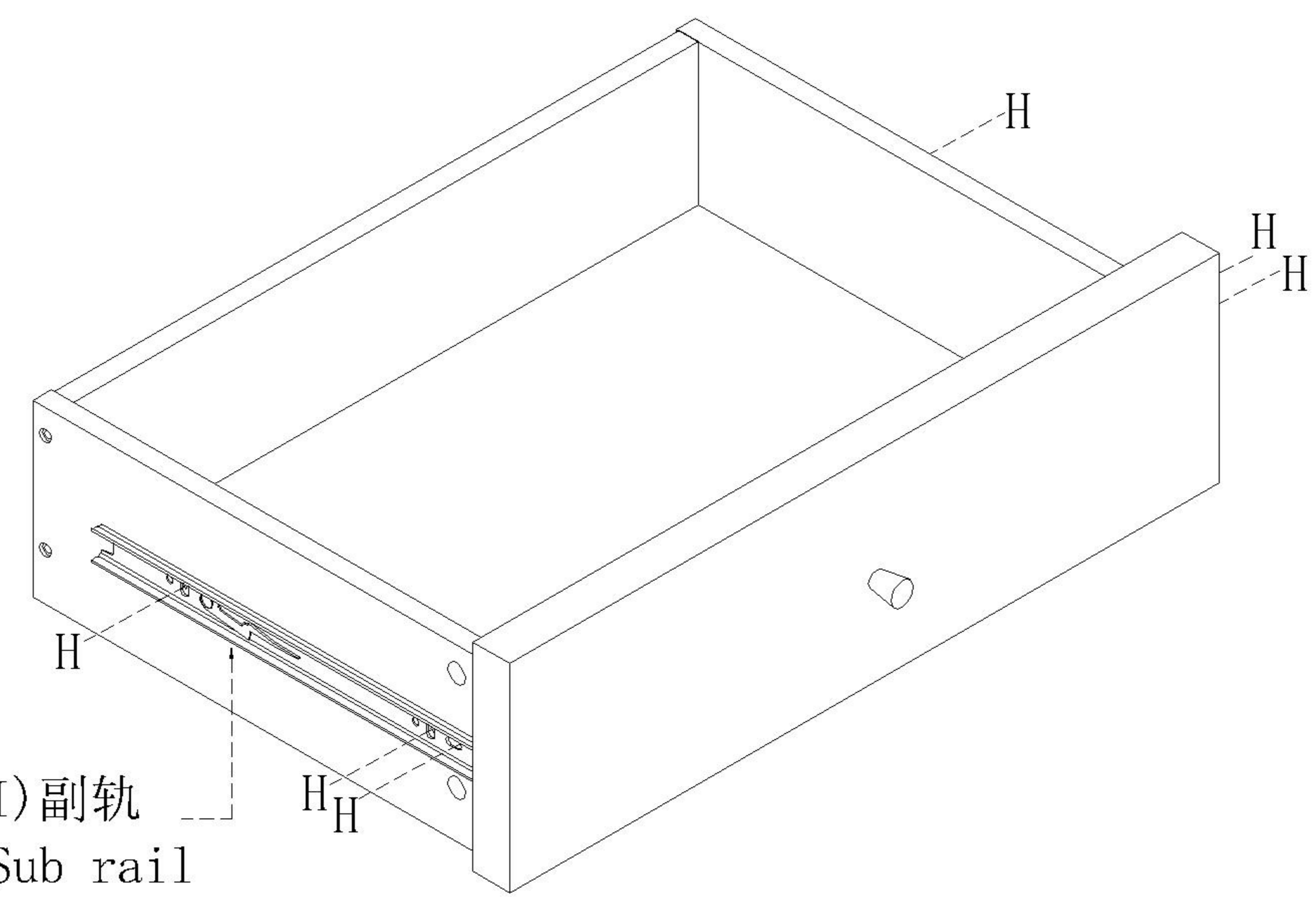
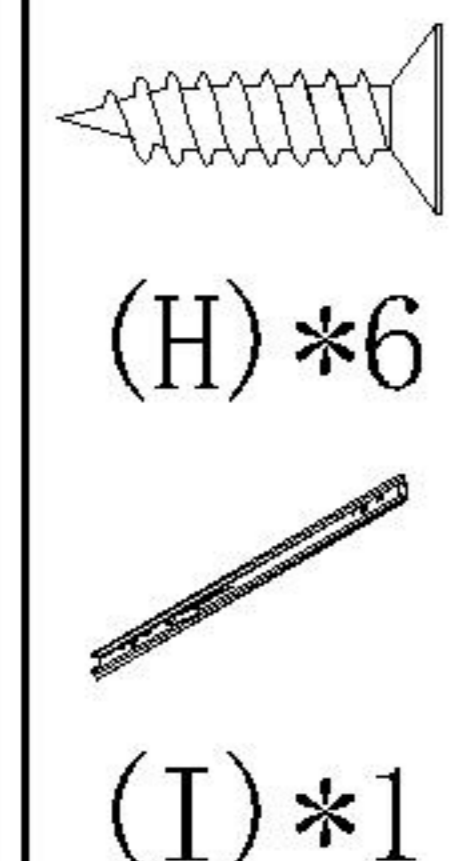
三节滚珠导轨
Three-section rail



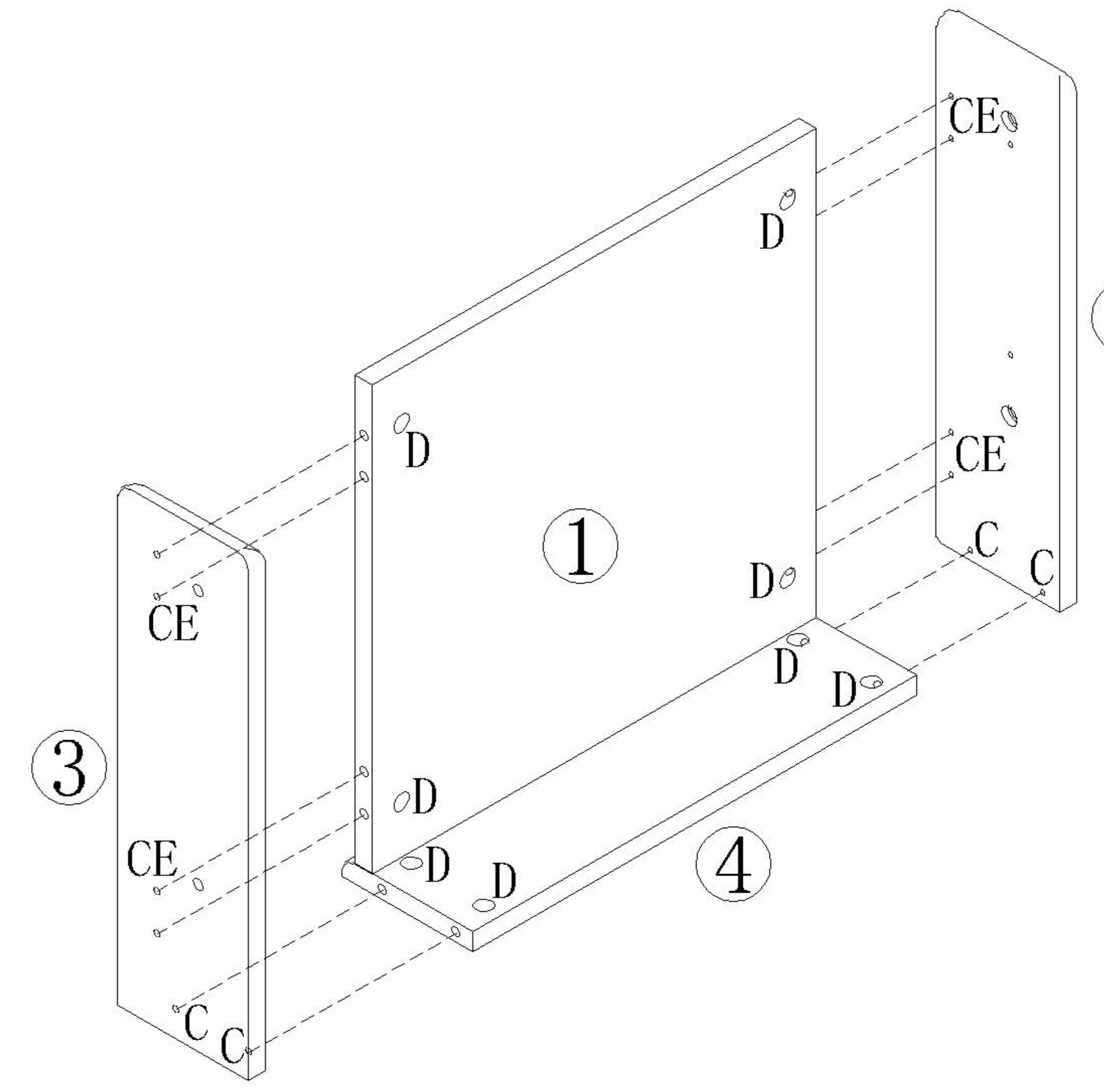
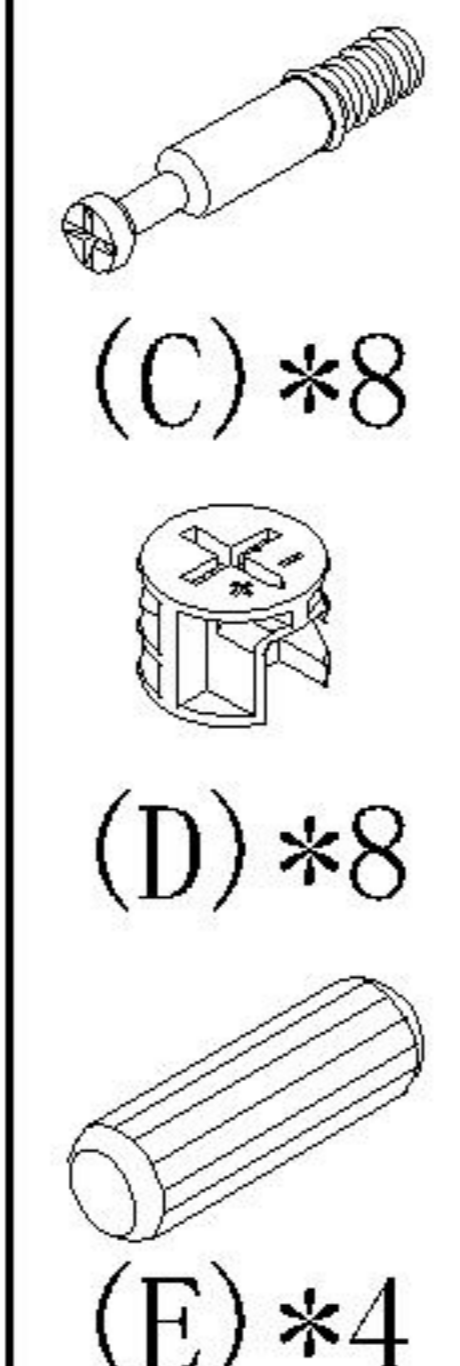
1



2



3



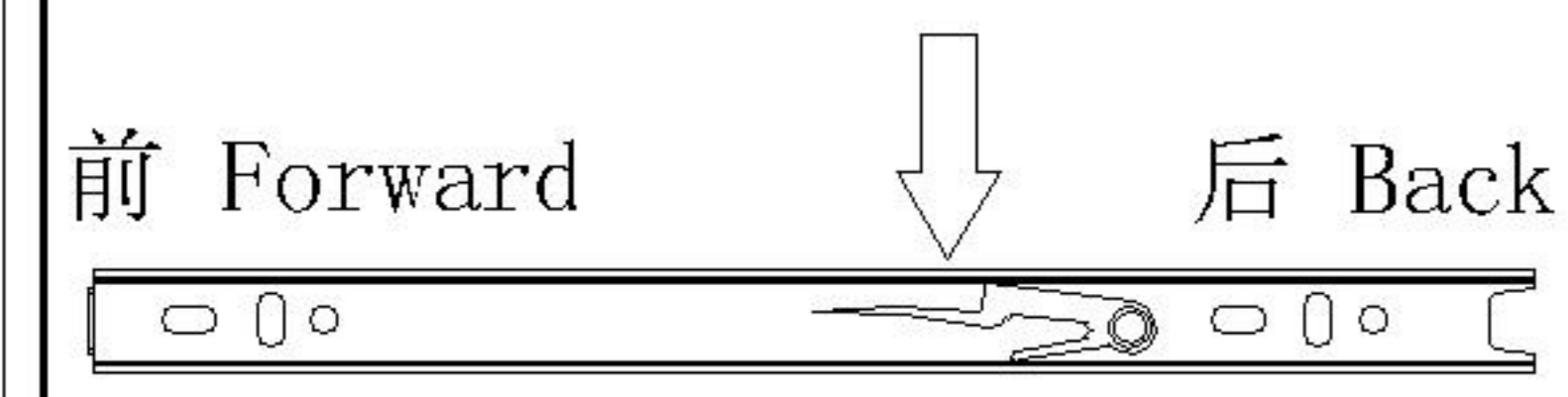
4

KQ1J-A

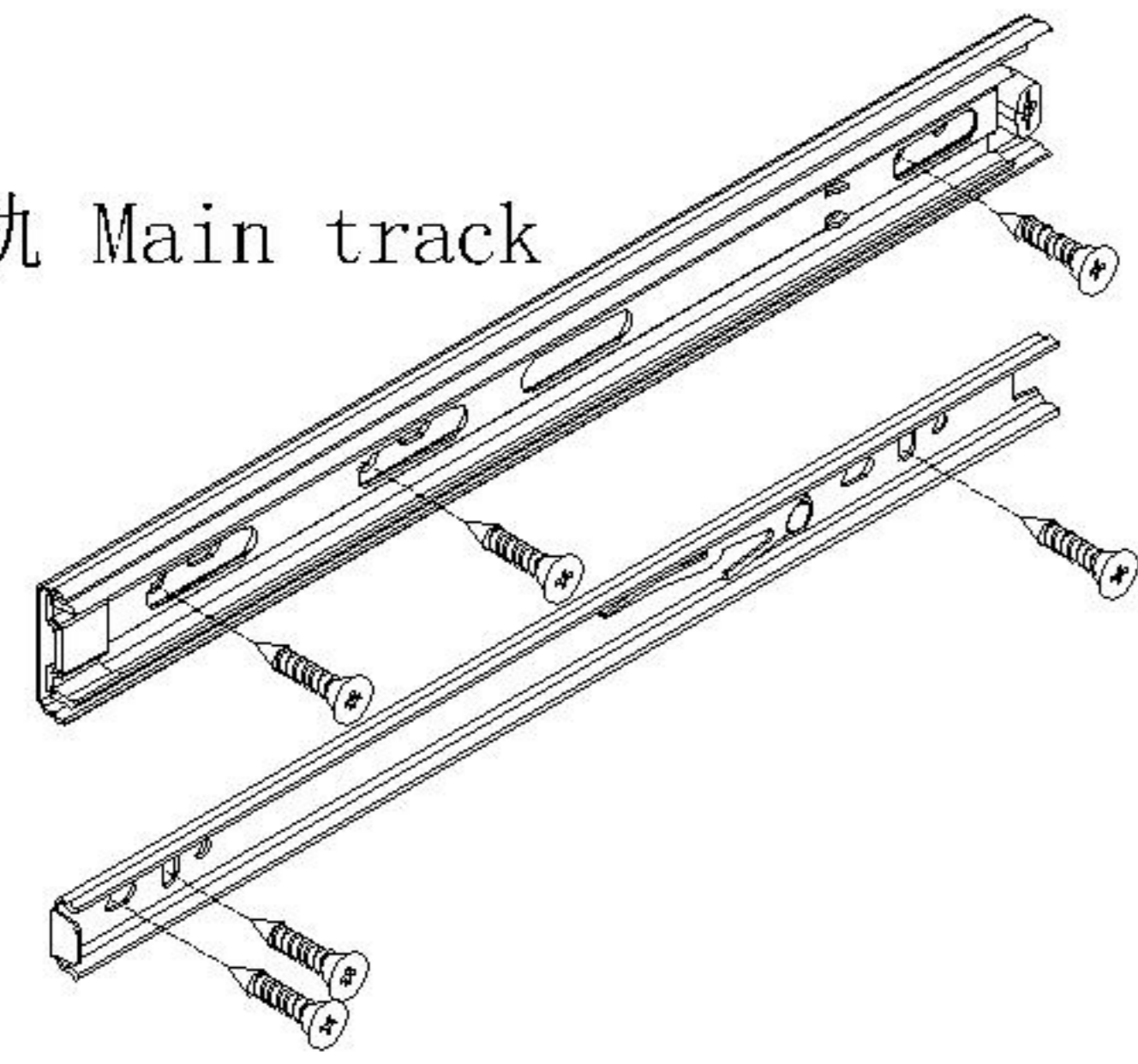
安装方法

Installation method

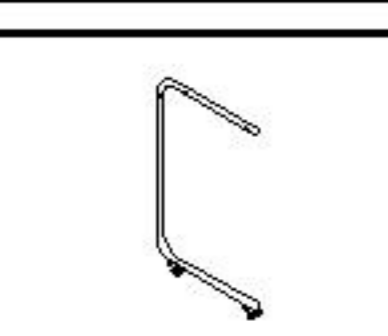
阀门开关(下压为开)
Valve switch (press down to open)



主轨 Main track



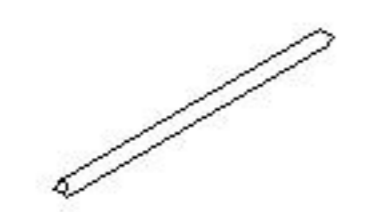
三节滚珠导轨
Three-section rail



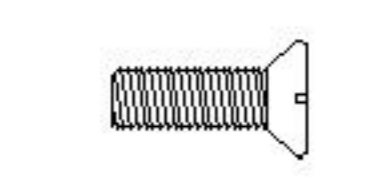
(M)*1



(N)*1



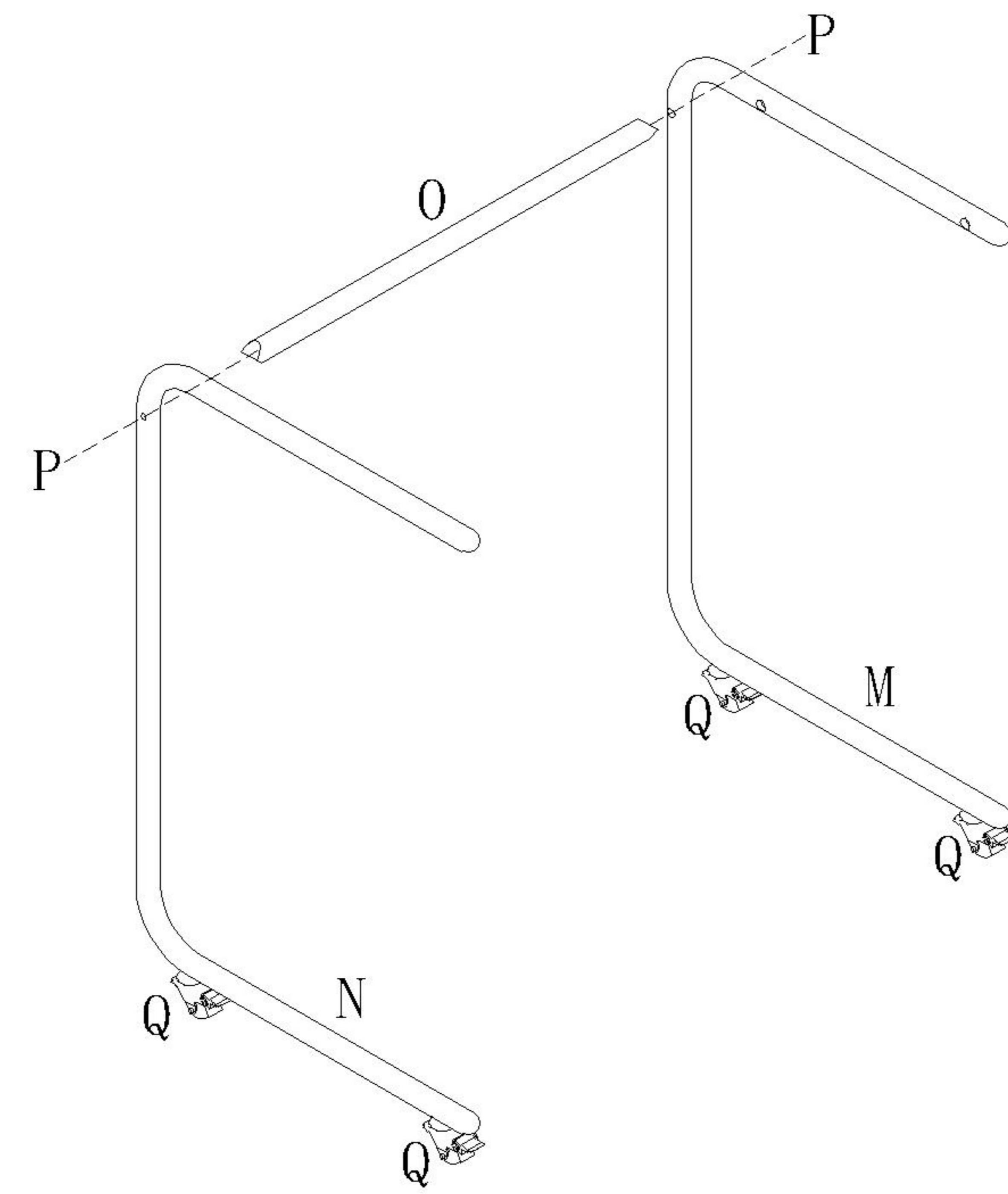
(O)*1



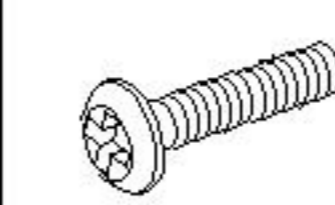
(P)*2



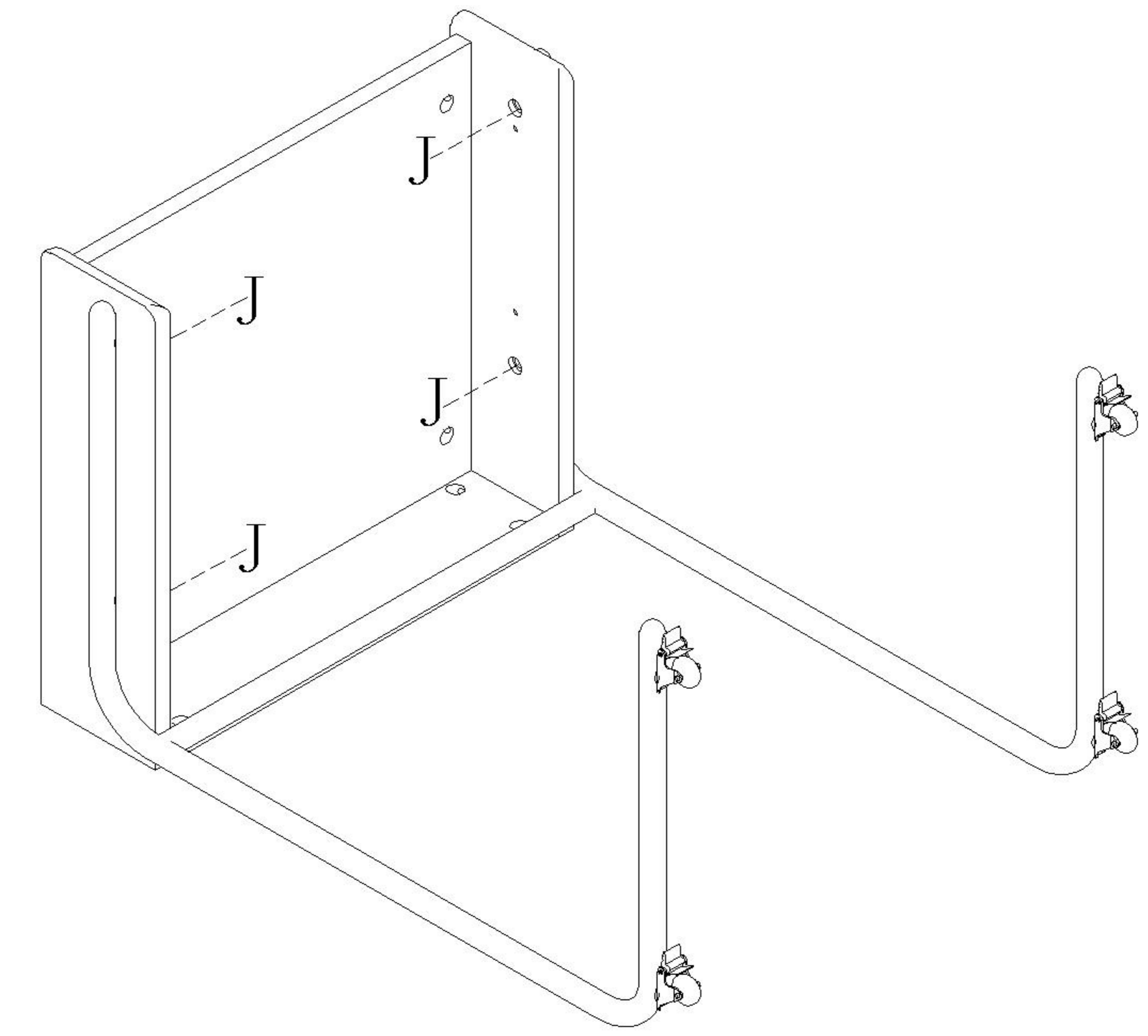
(Q)*4



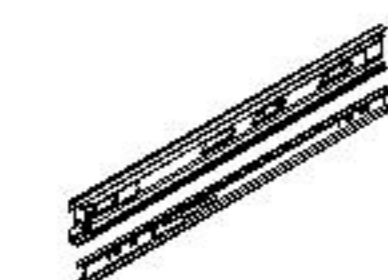
5



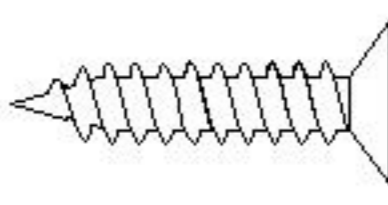
(J)*4



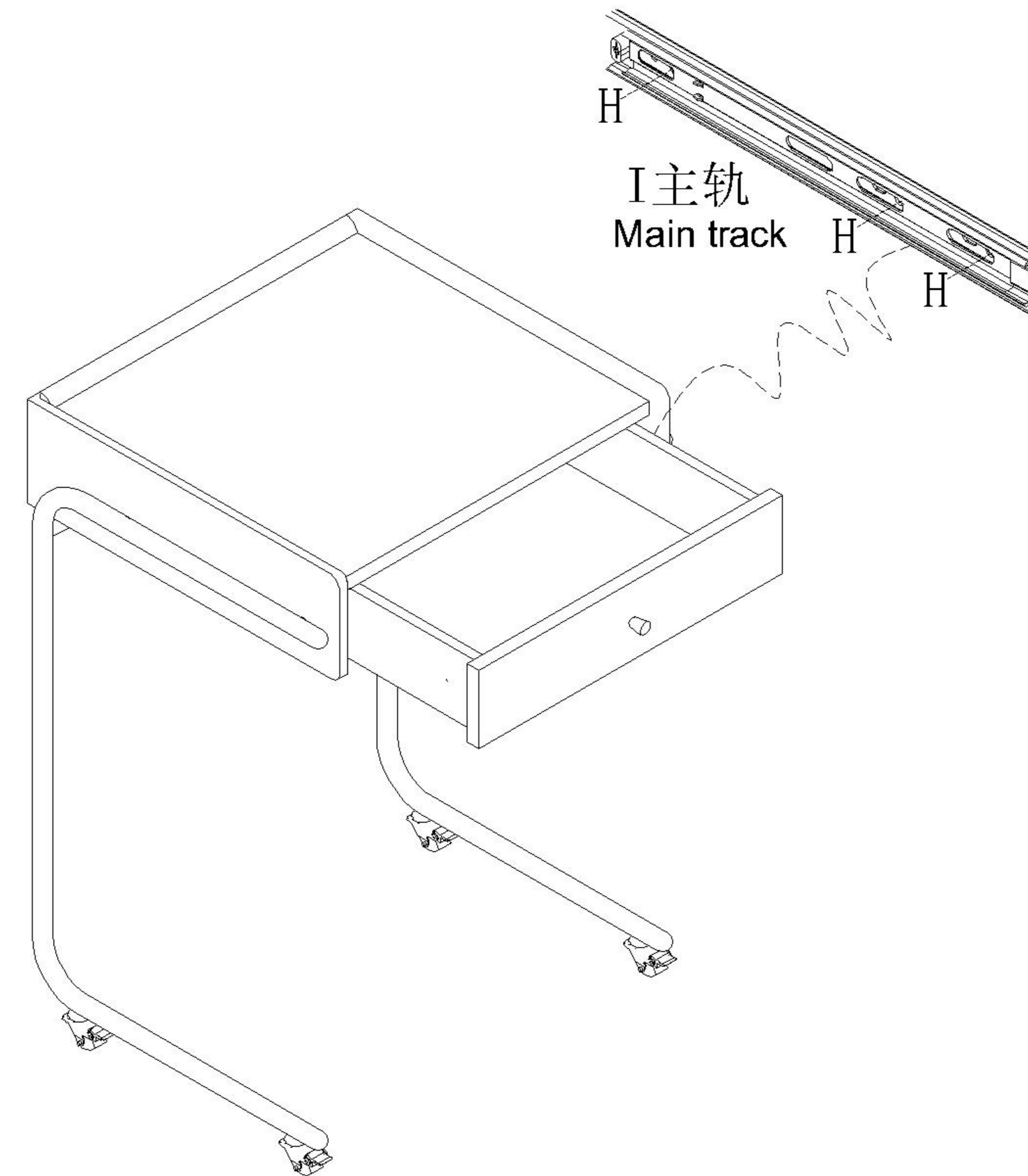
6



(I)*1



(H)*6



7