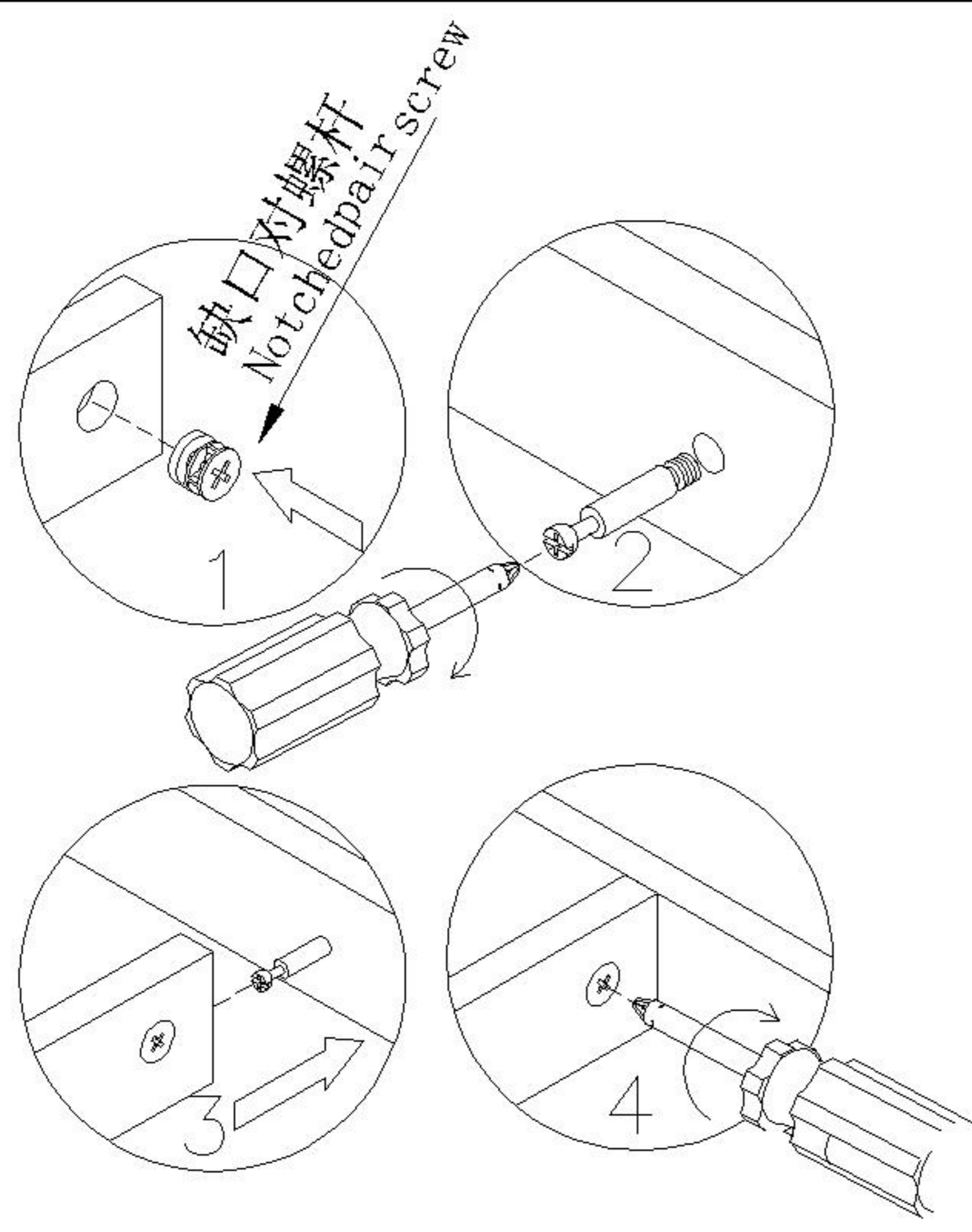
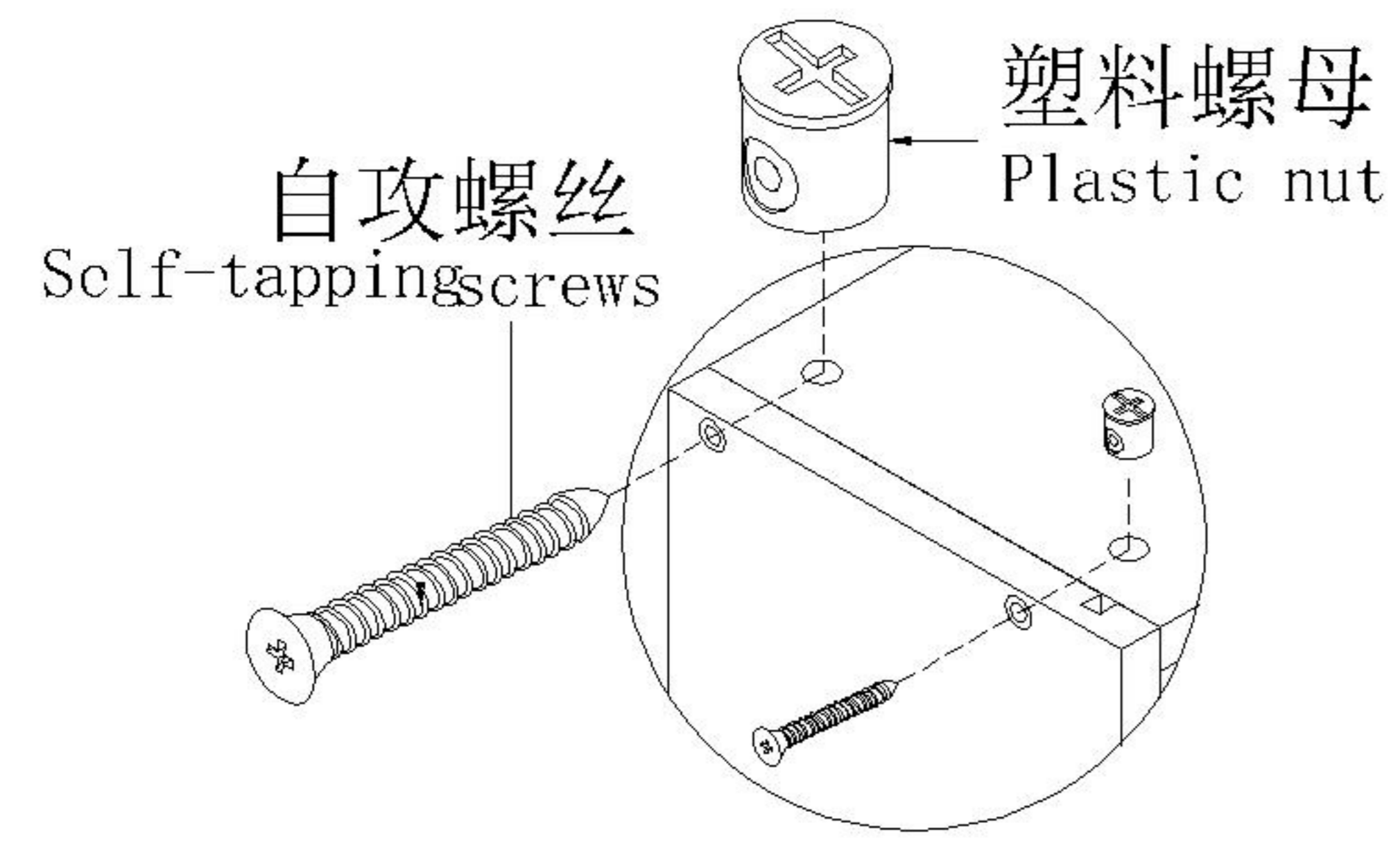


KQ1P-A

安装方法/
Installation method

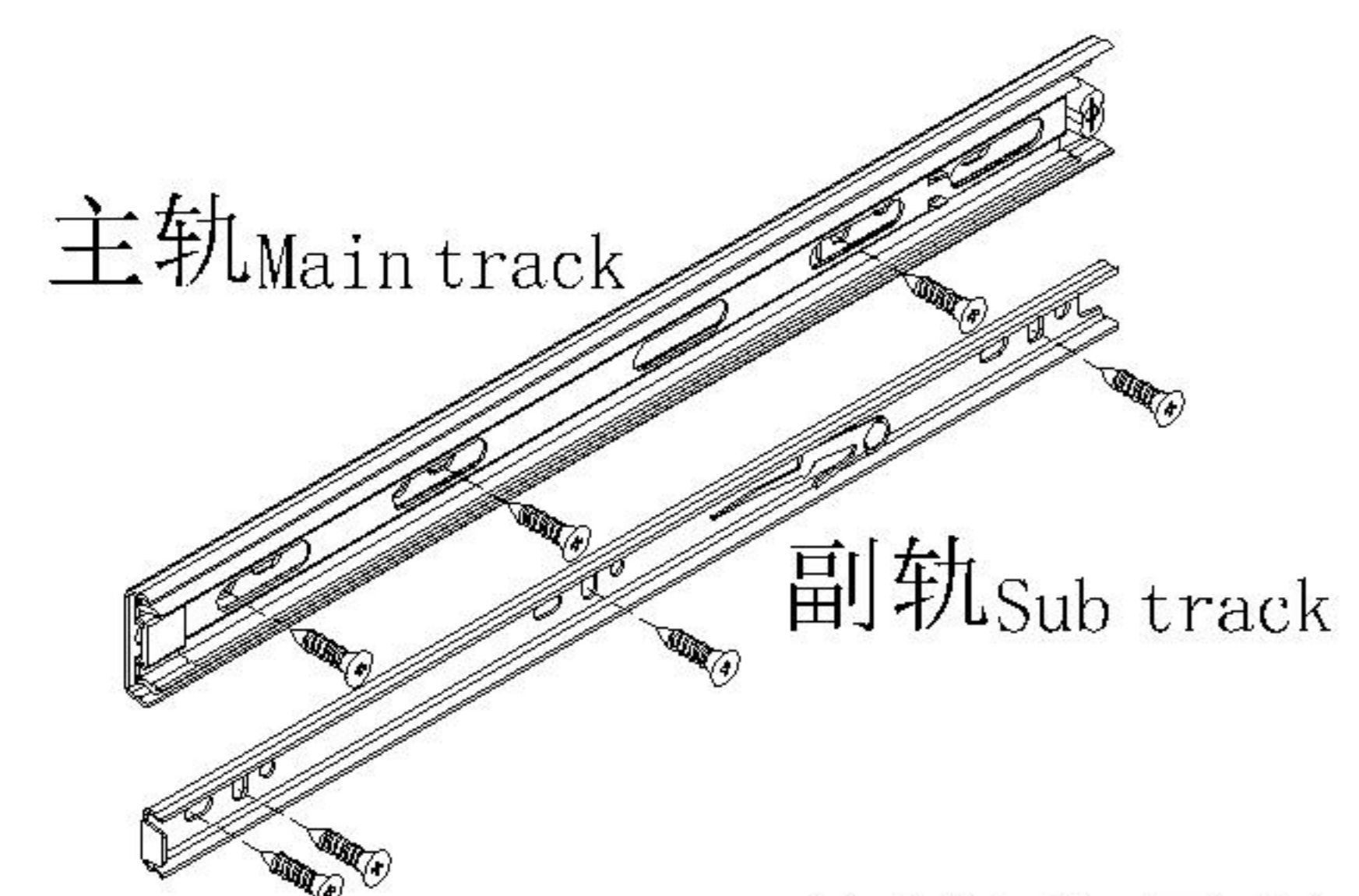
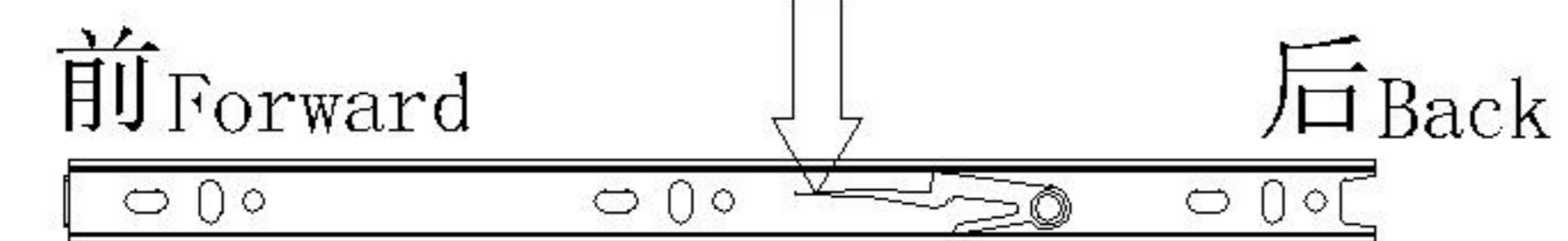


二合一/2 in 1



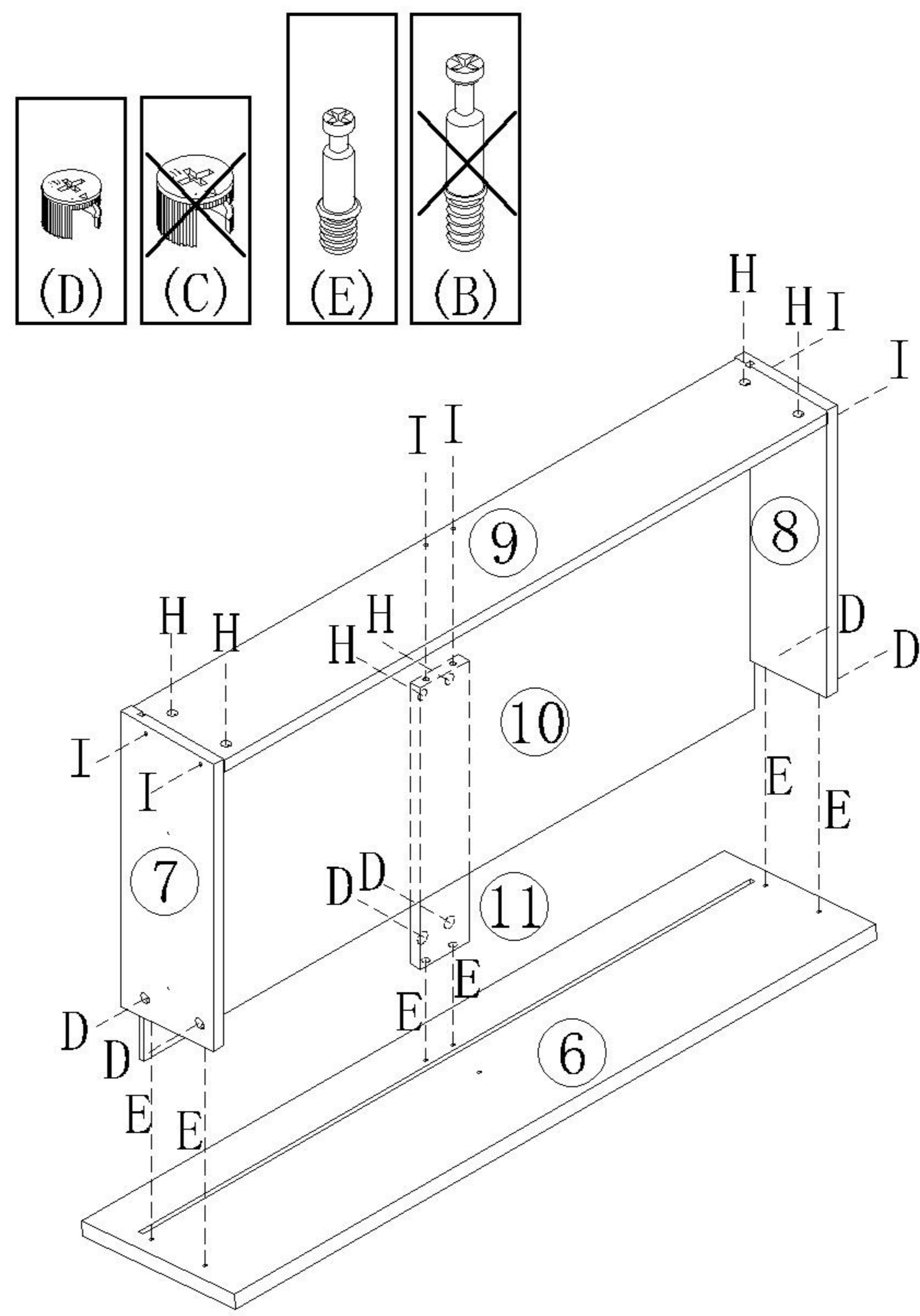
塑料螺母 Plastic nut

阀门开关(下压为开)
Valve switch (press down to open)

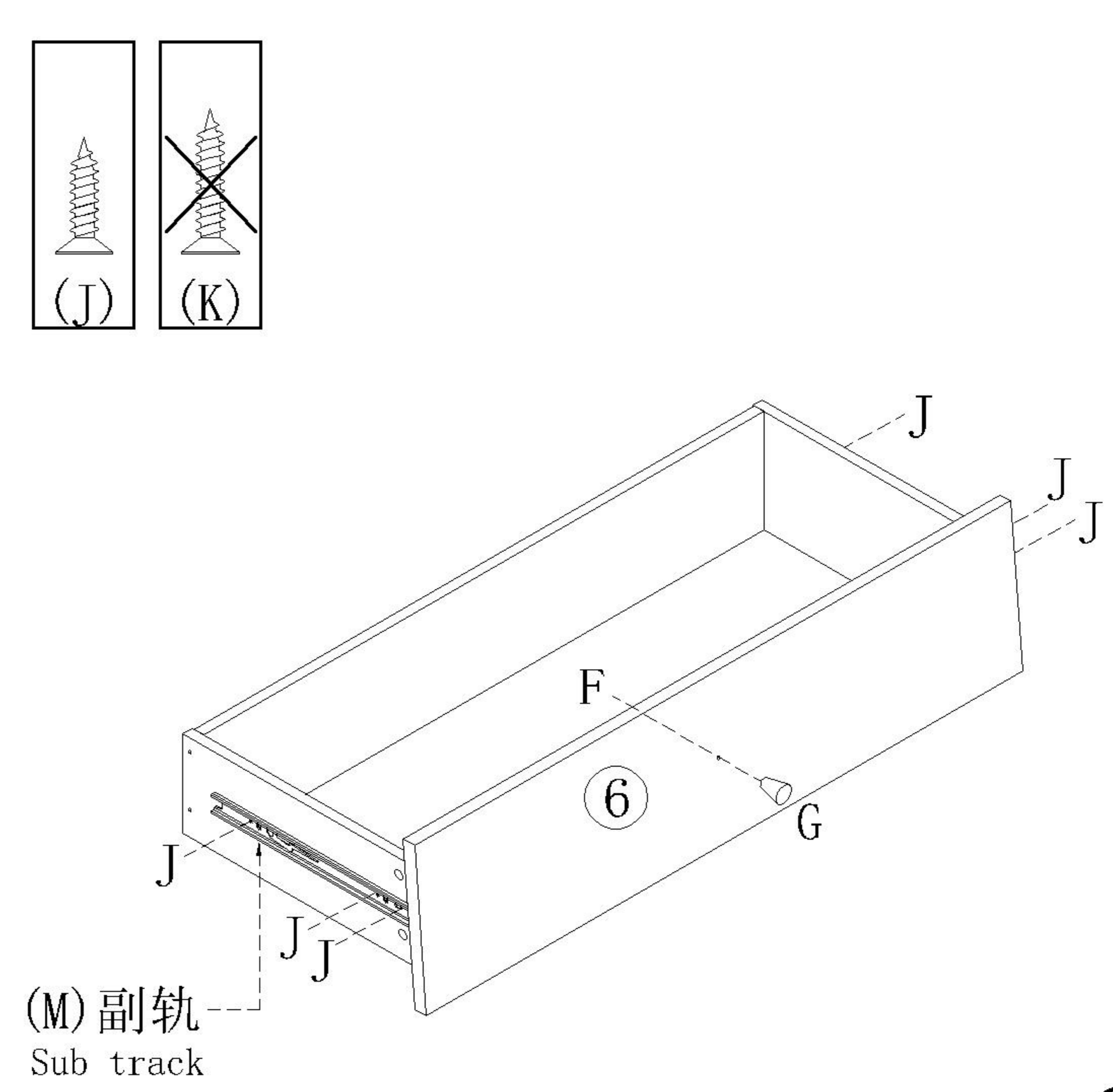


三节滚珠导轨-10"
Three Section Ball Guide-10"

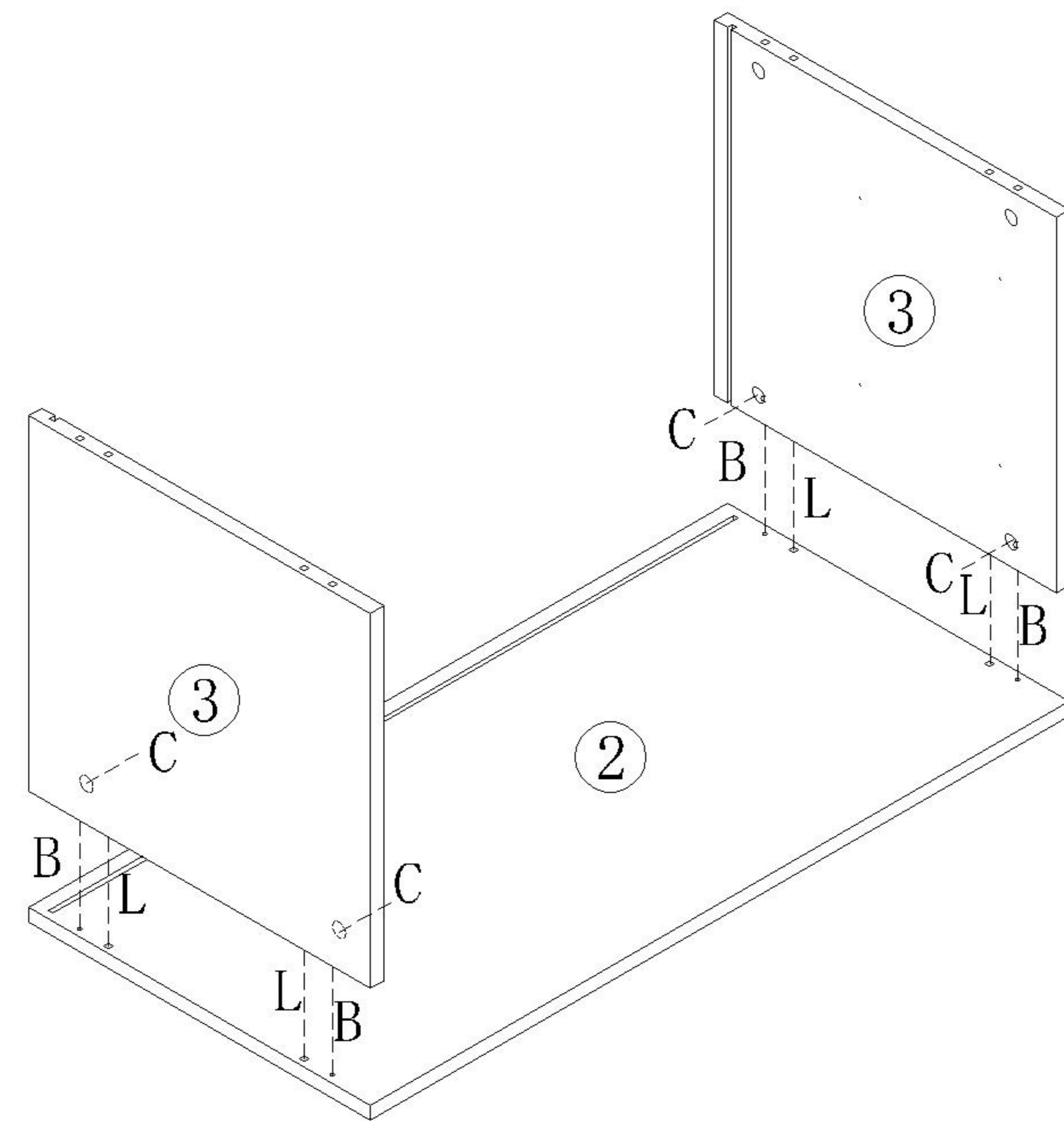
- (D)*12
- (E)*12
- (H)*12
- (I)*12



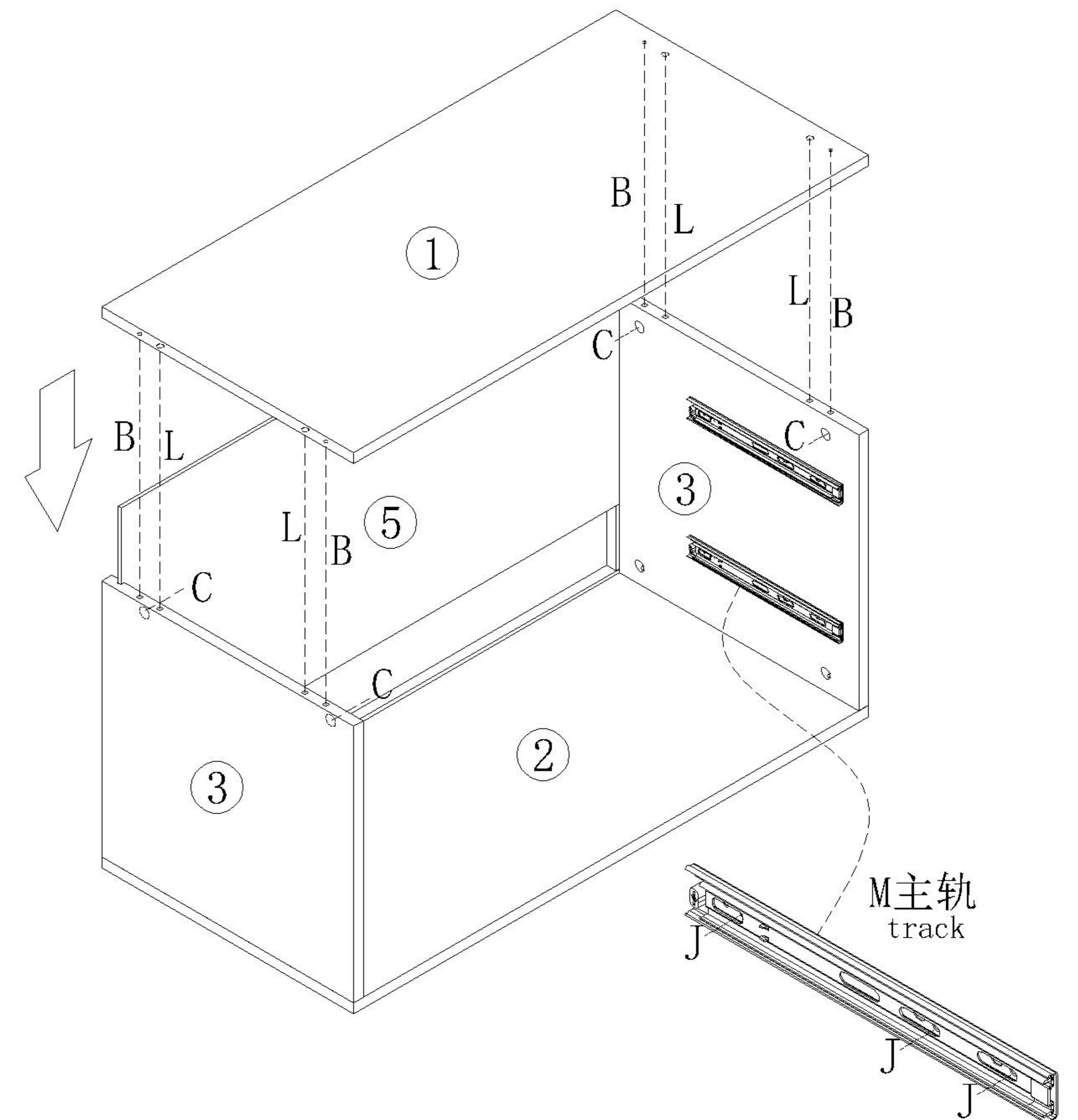
- (F)*2
- (J)*12
- (M)*2
- (G)*2



- (B)*4
- (C)*4
- (L)*4

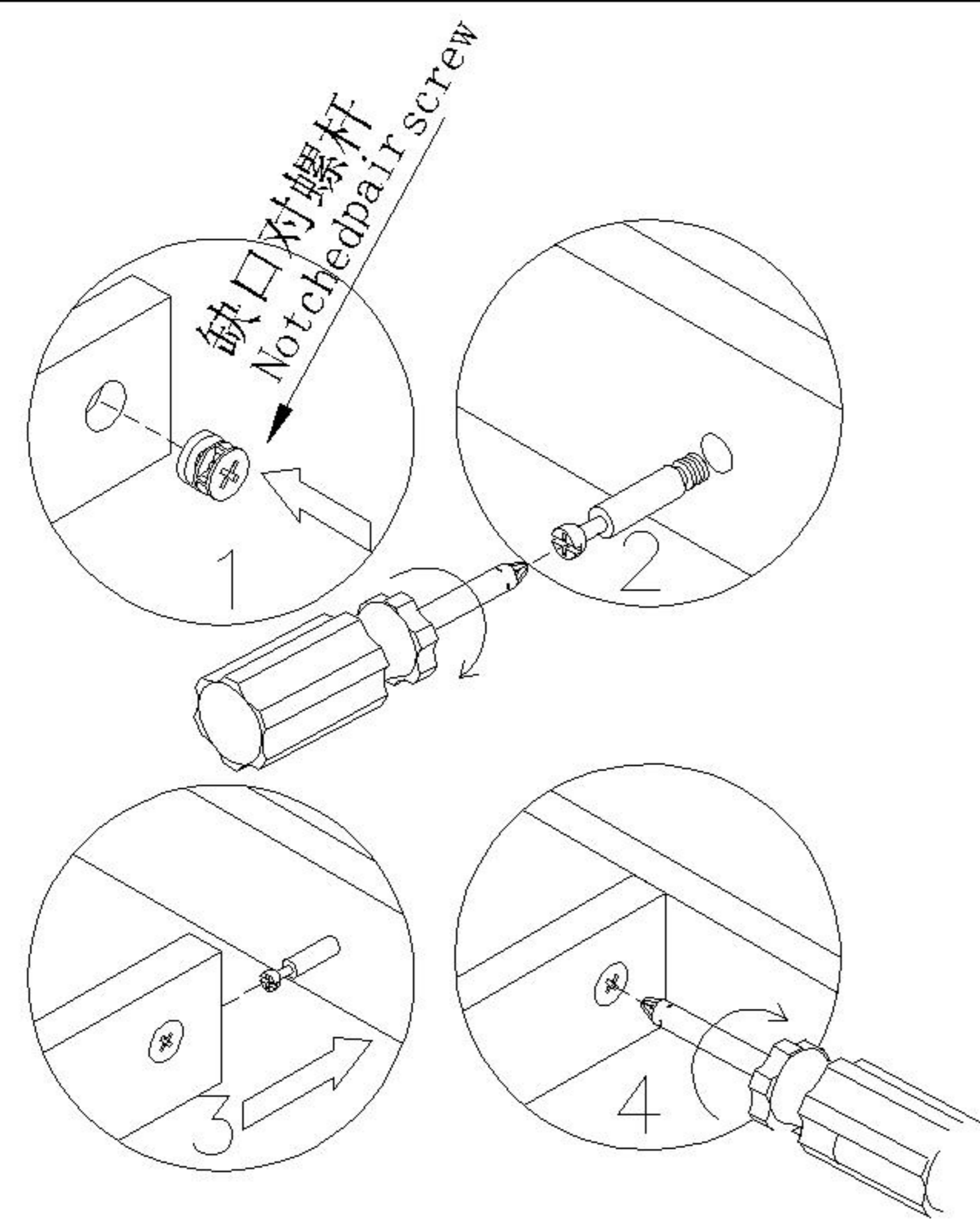


- (B)*4
- (C)*4
- (L)*4
- (J)*12
- (M)*2

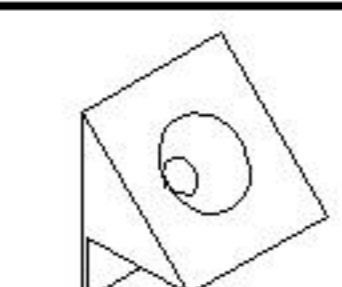


KQ1P-A

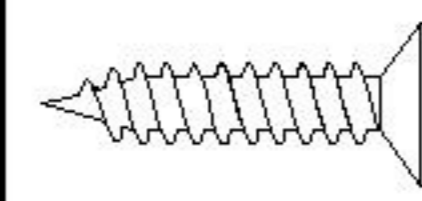
安装方法/
Installation method



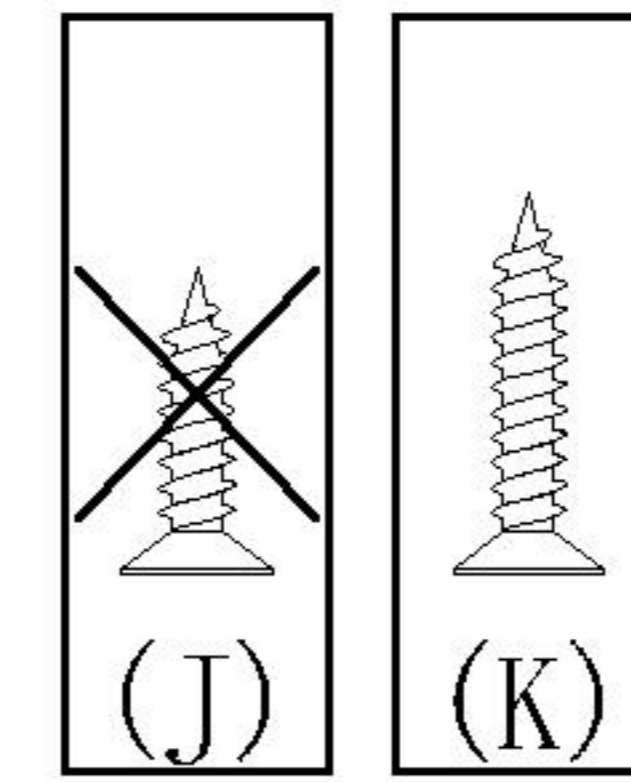
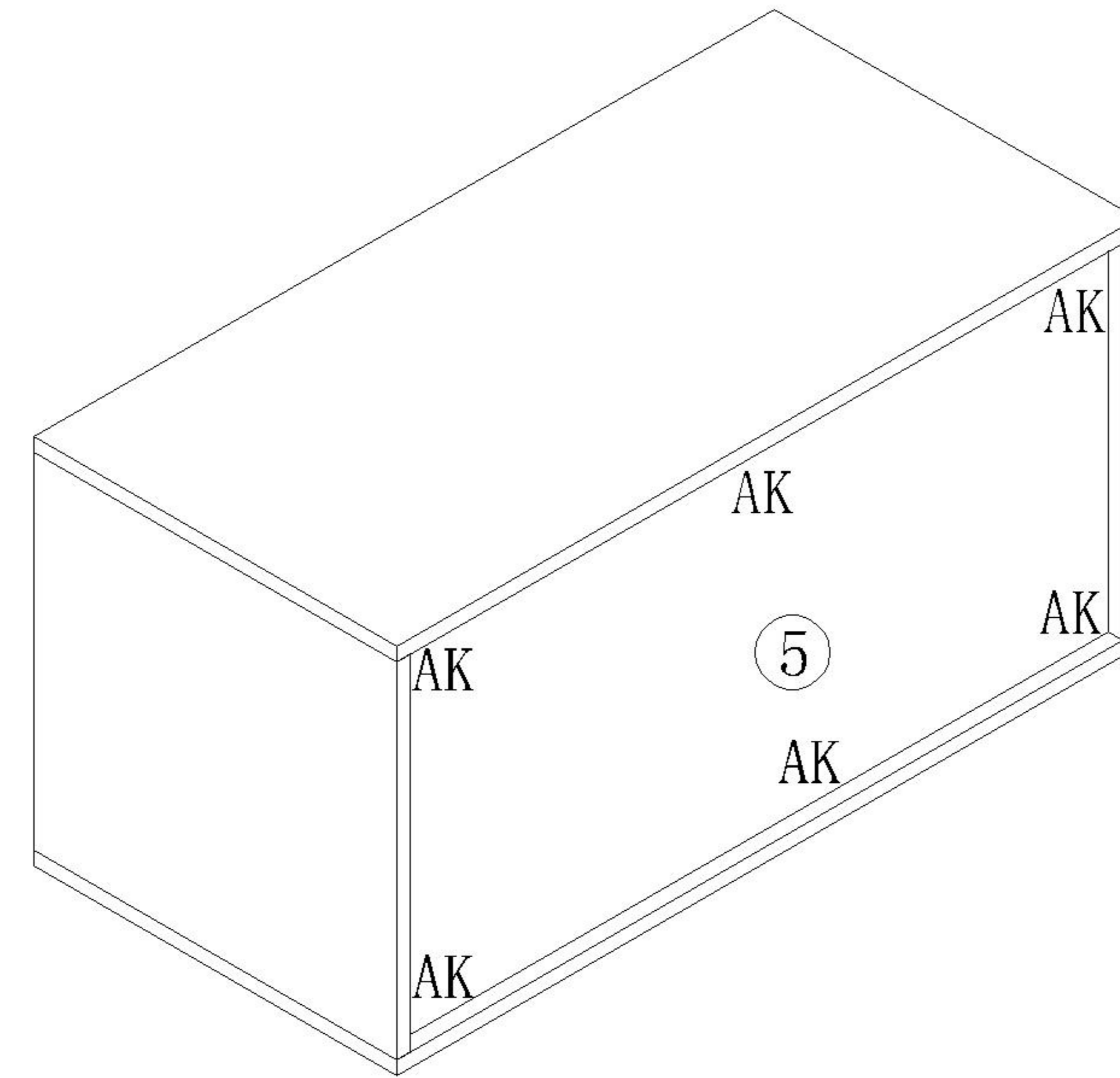
二合一/2 in 1



(A)*6

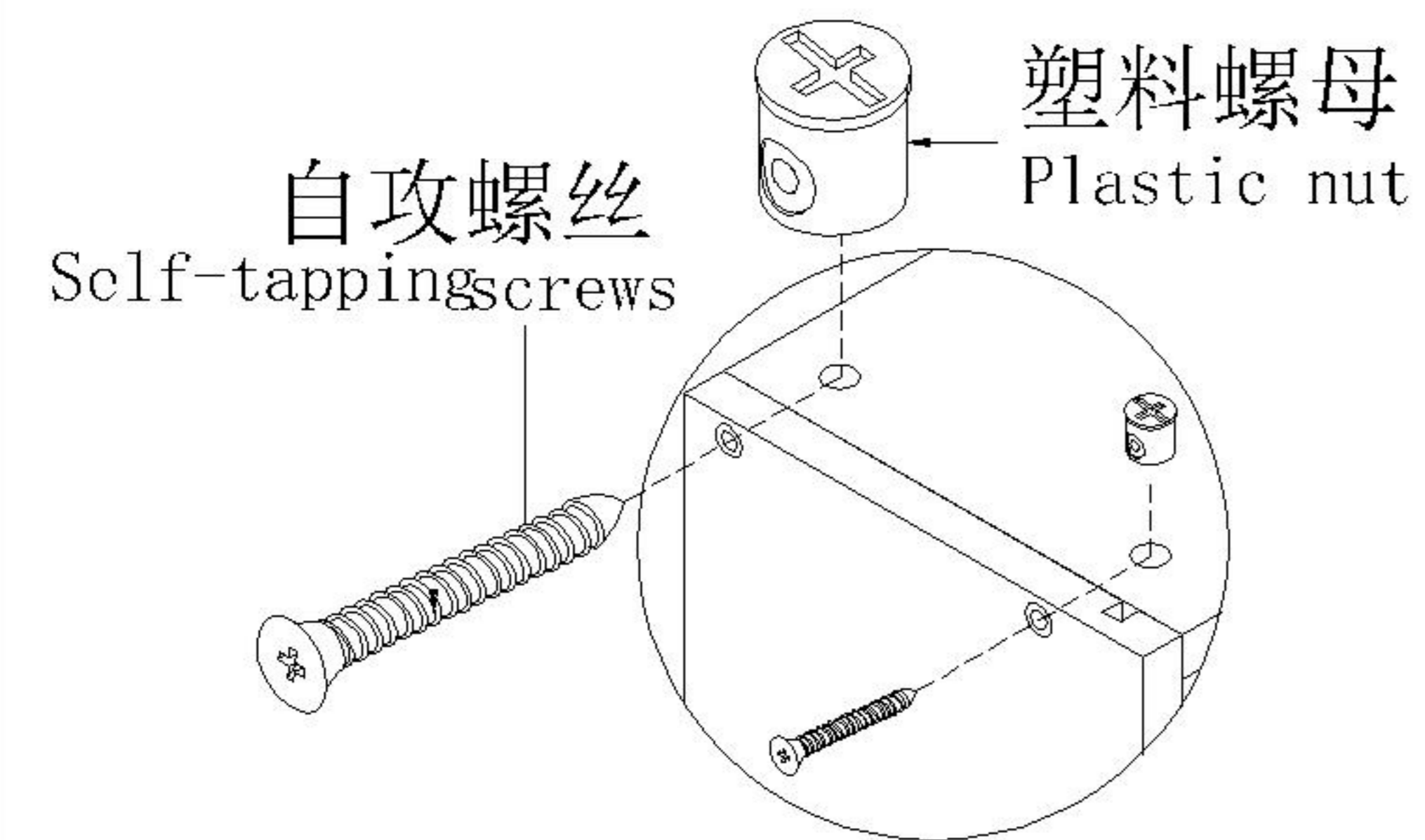
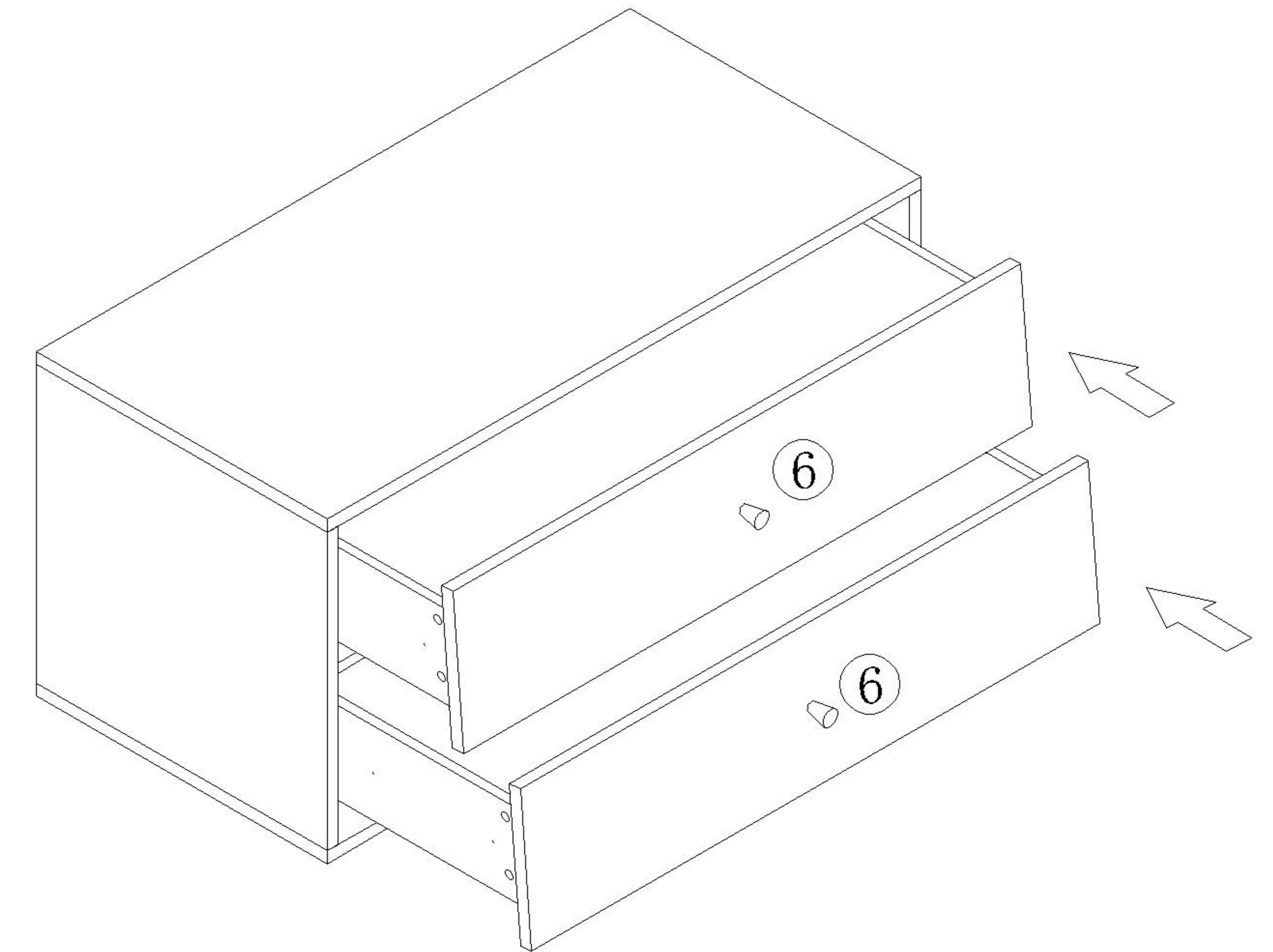


(K)*6

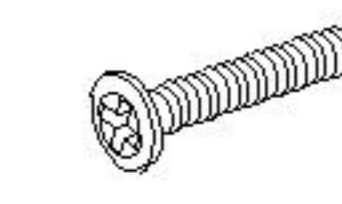


5

6



塑料螺母 Plastic nut

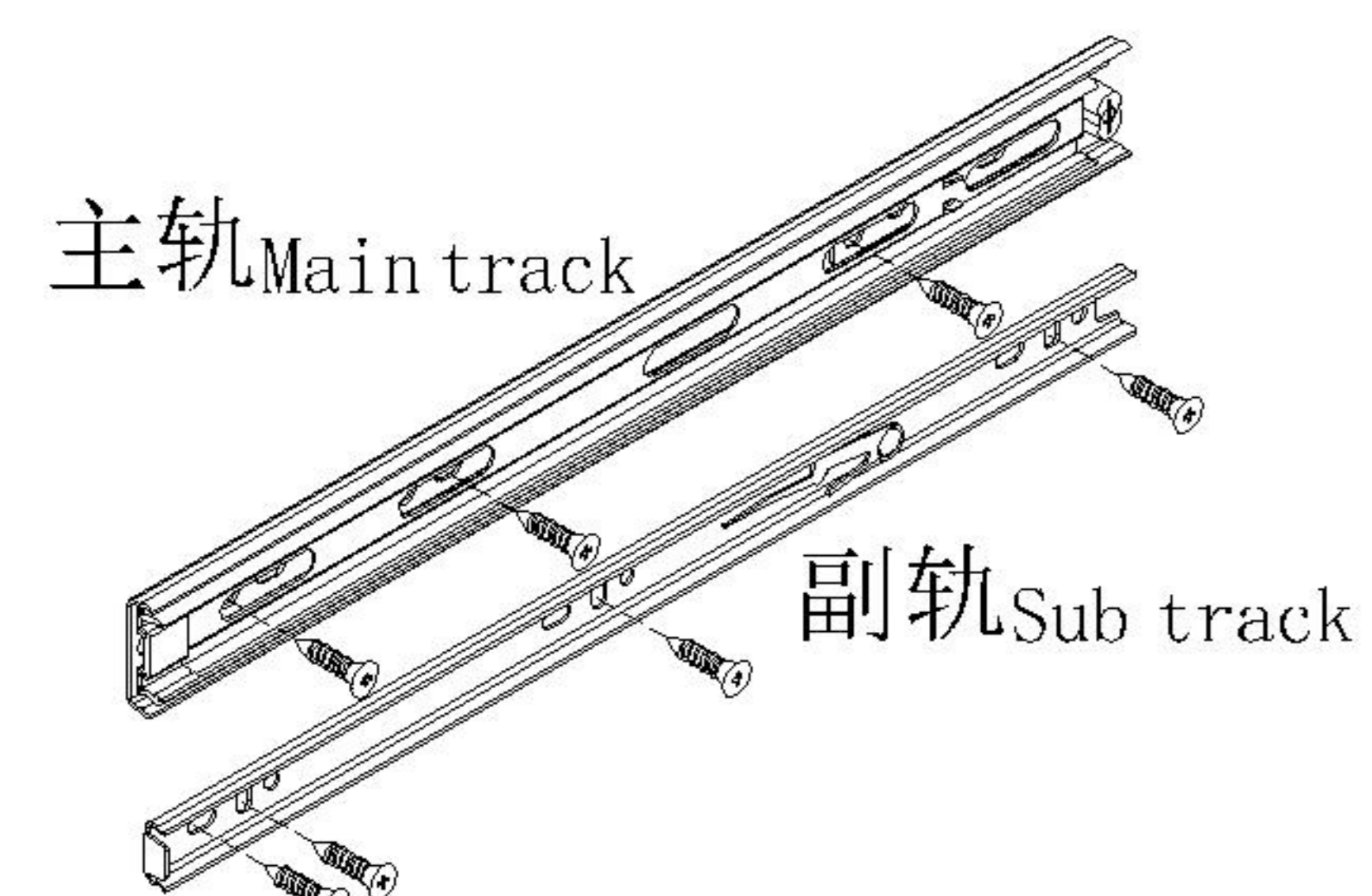
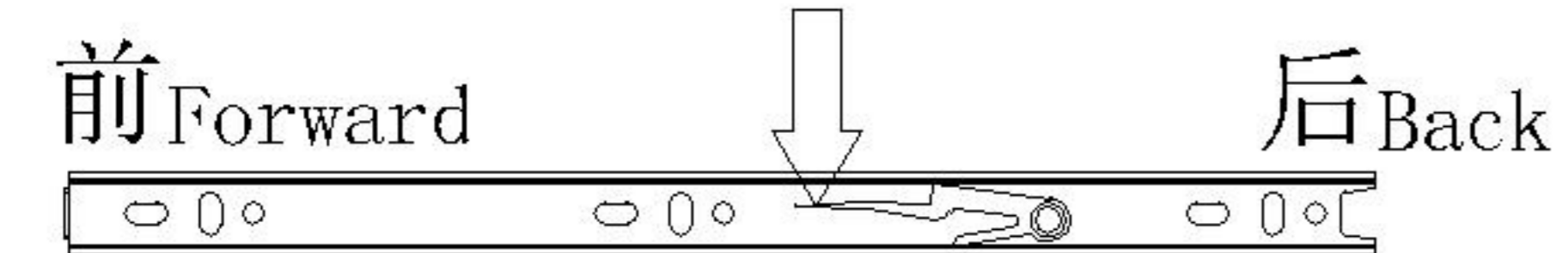


(R)*6

7

8

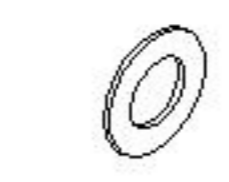
阀门开关(下压为开)
Valve switch (press down to open)



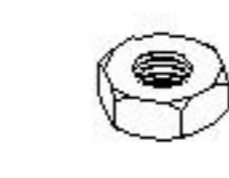
三节滚珠导轨-10"
Three Section Ball Guide-10"



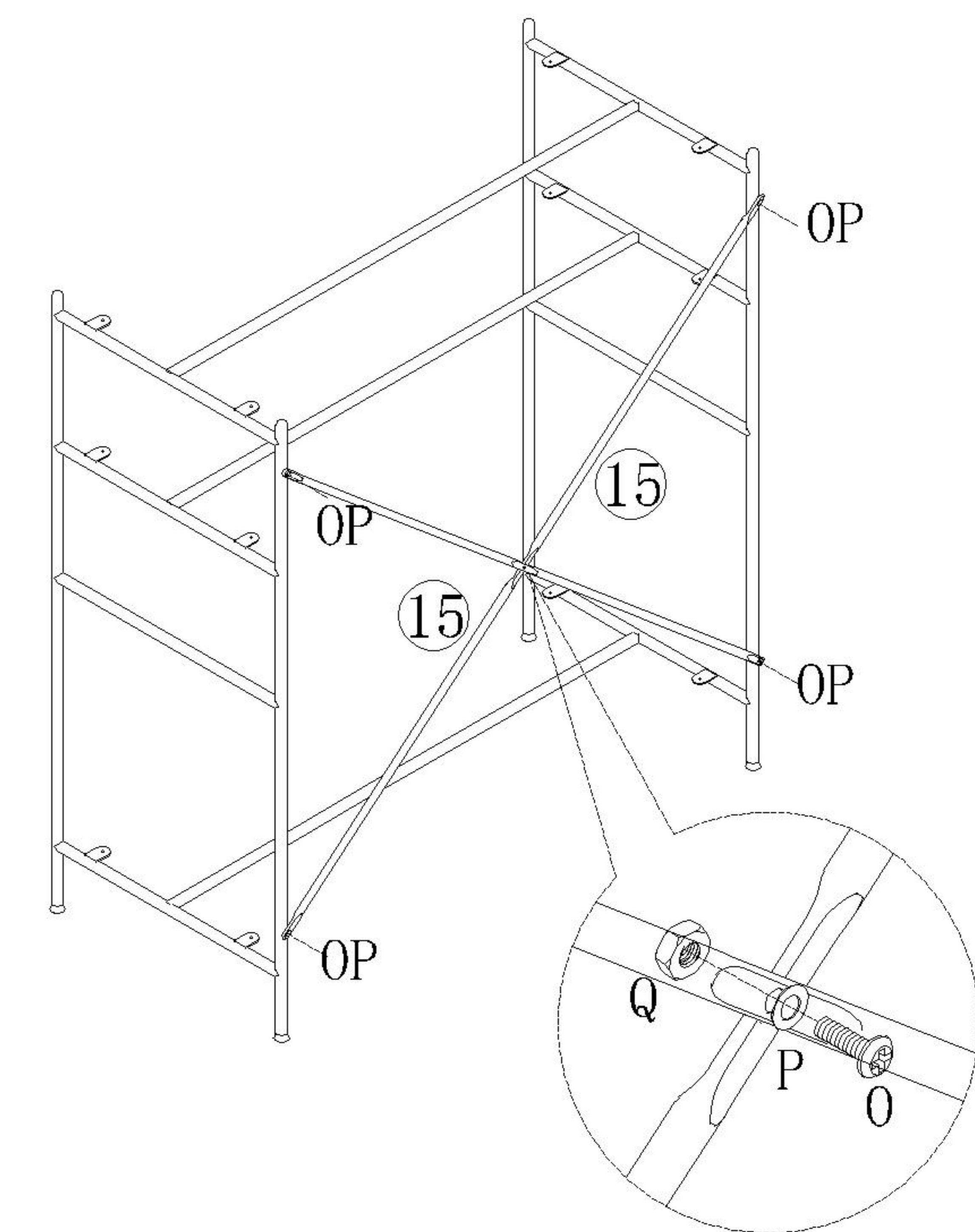
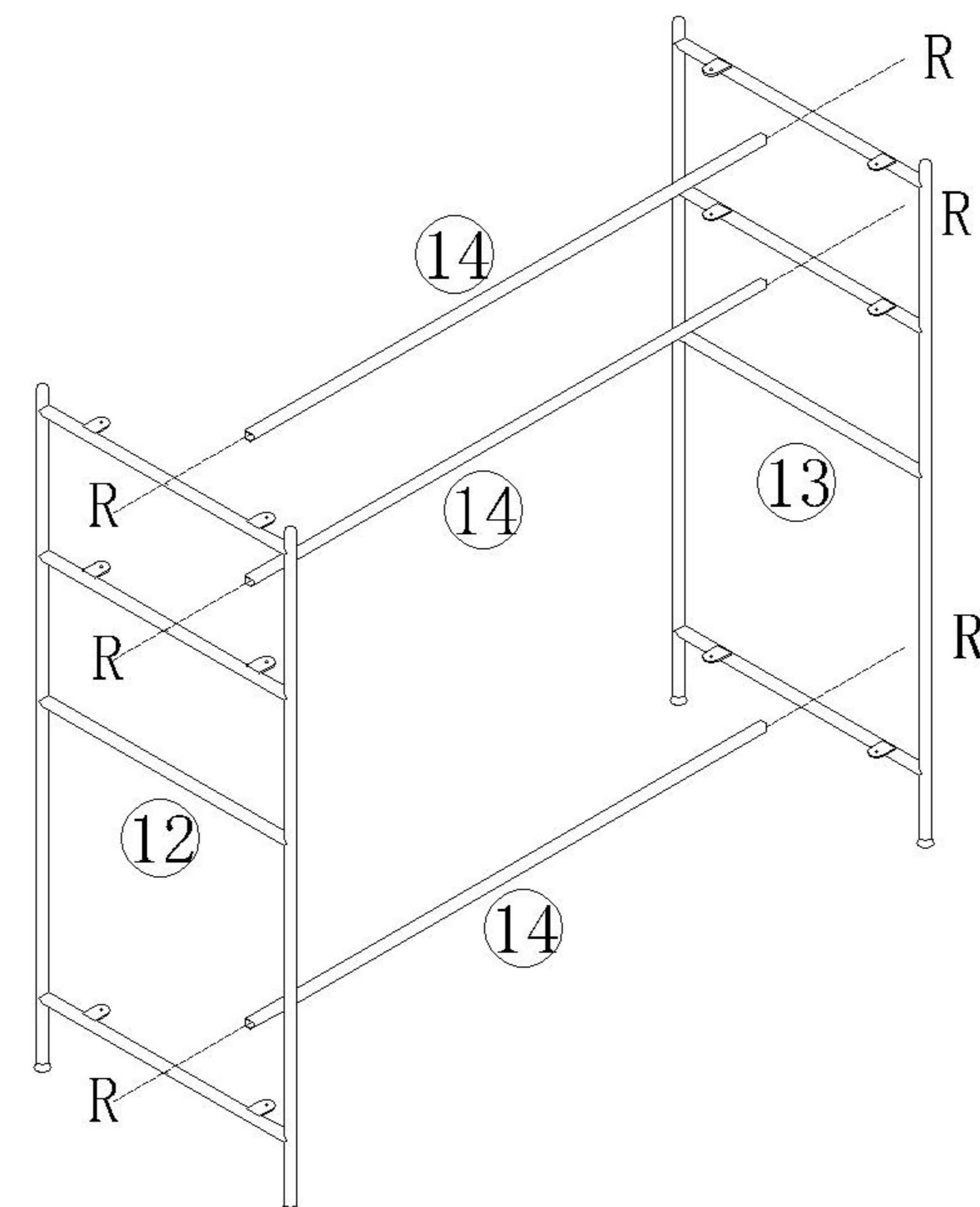
(O)*5



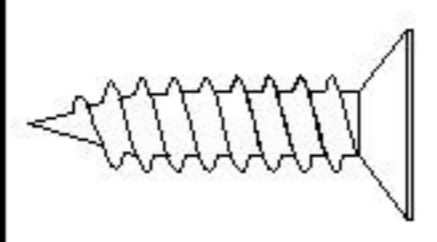
(P)*5



(Q)*1

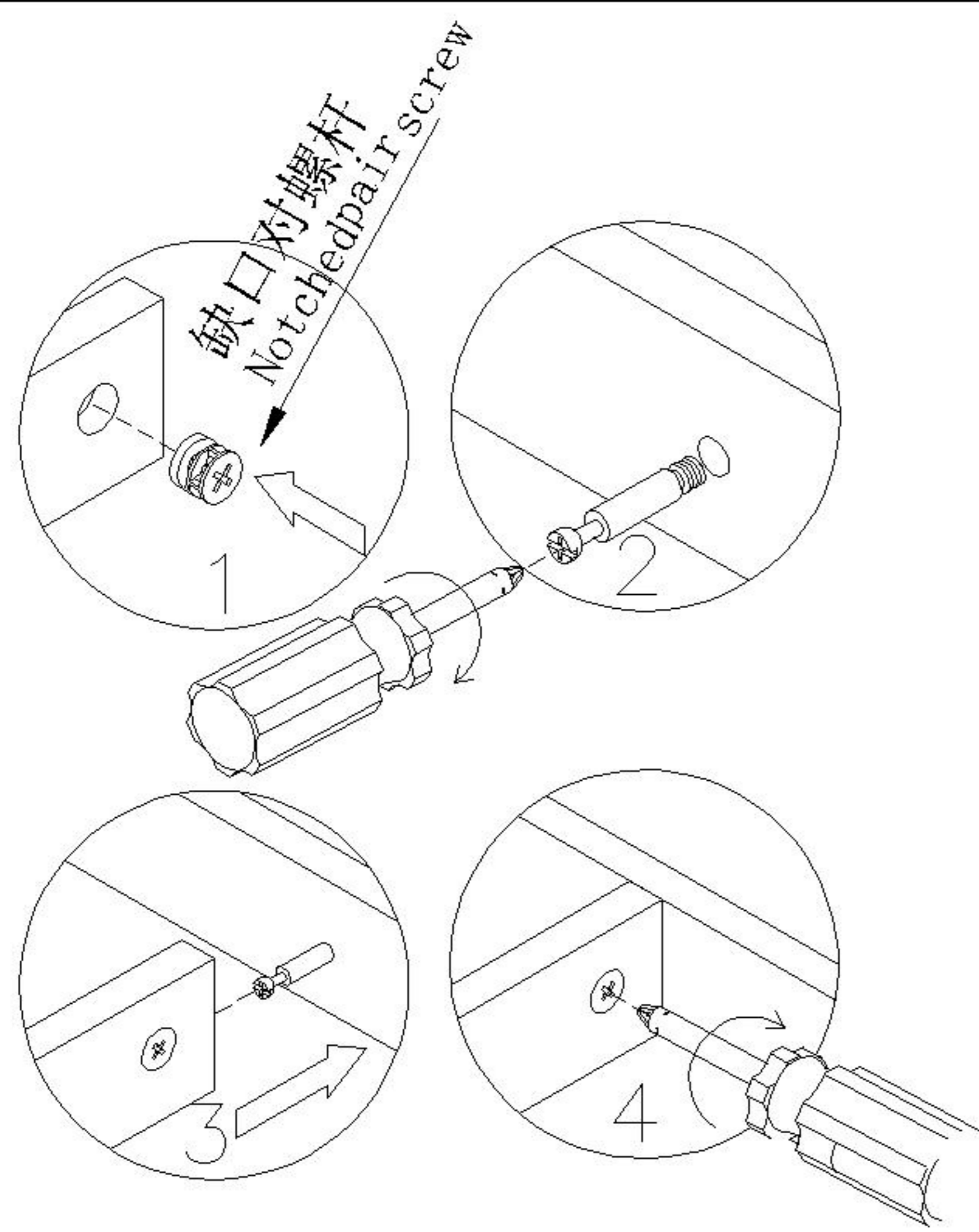


KQ1P-A

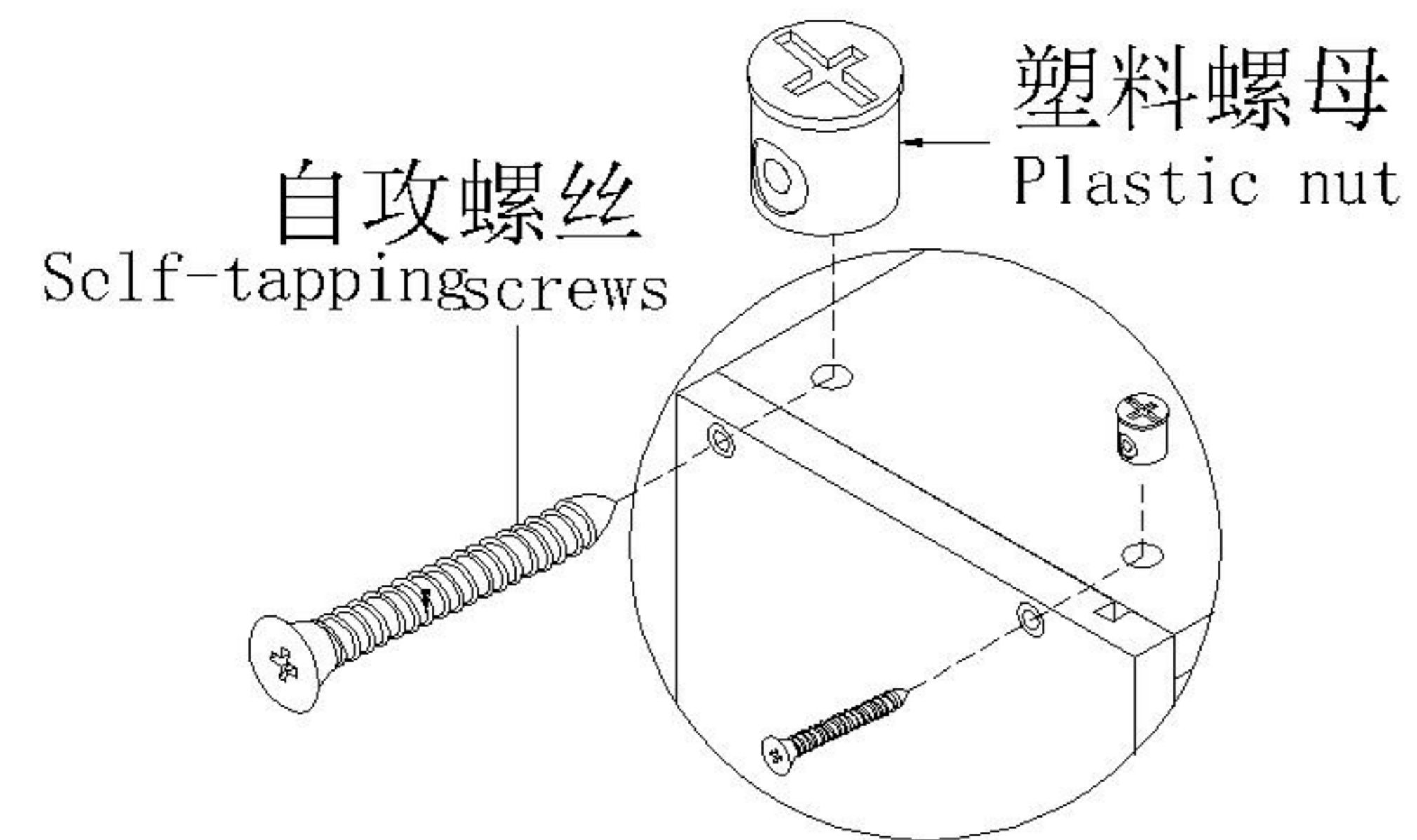
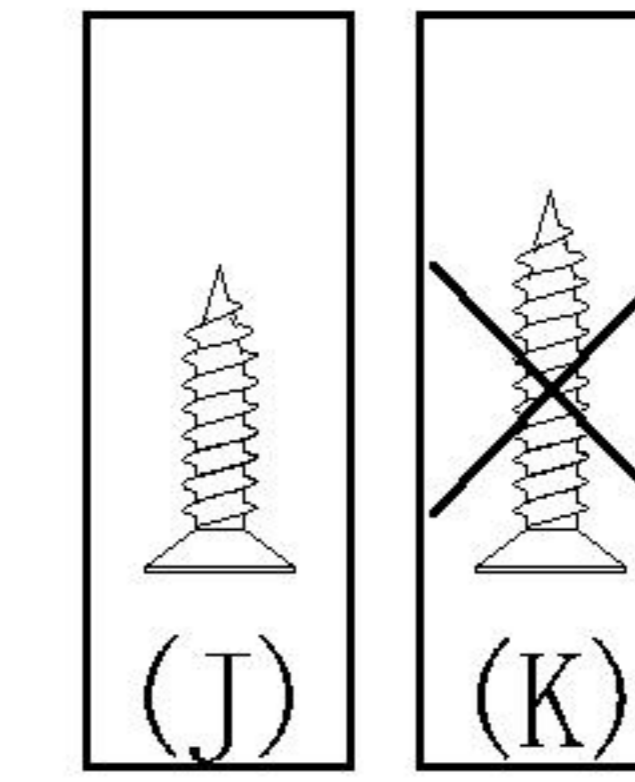
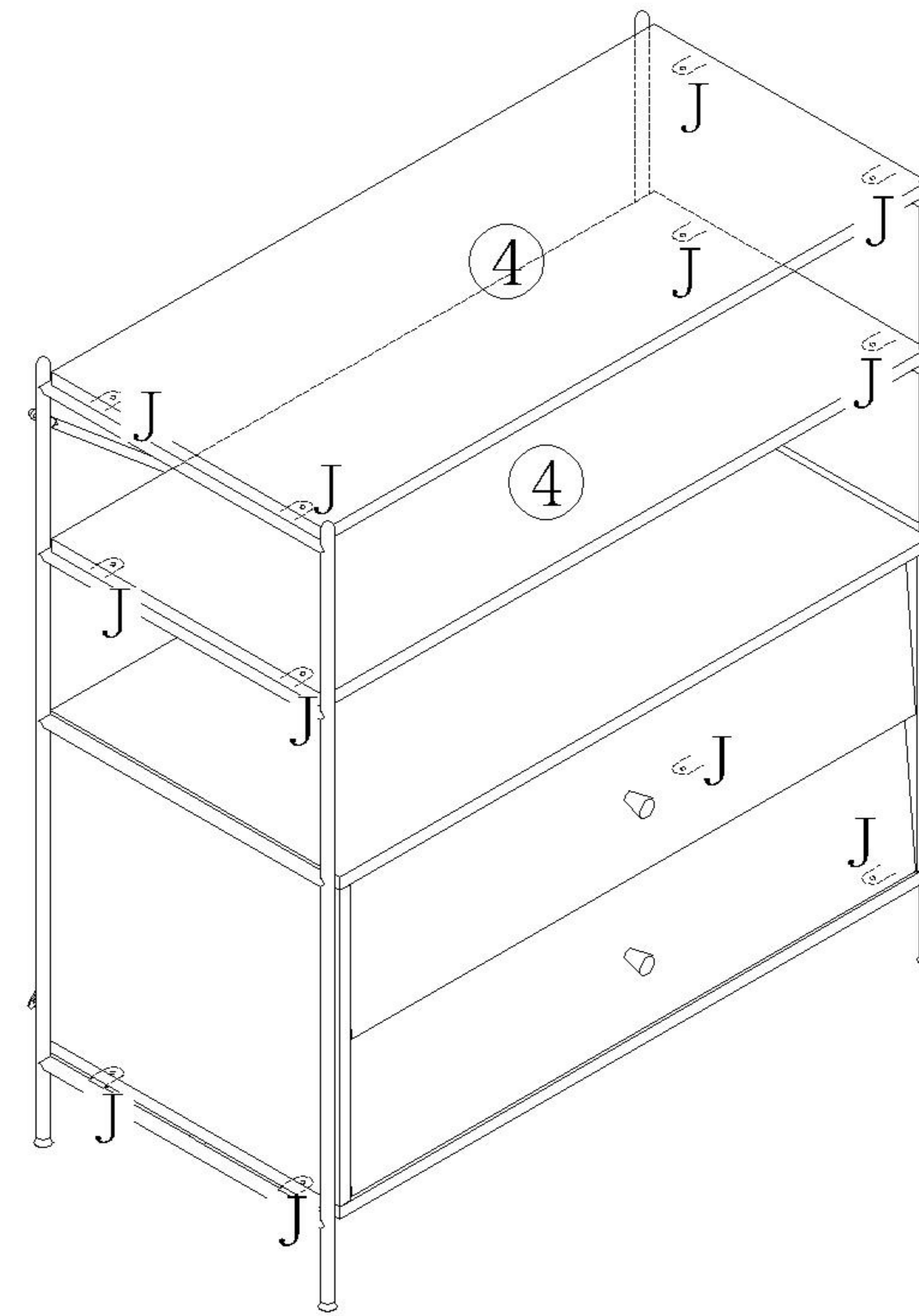


(J)*12

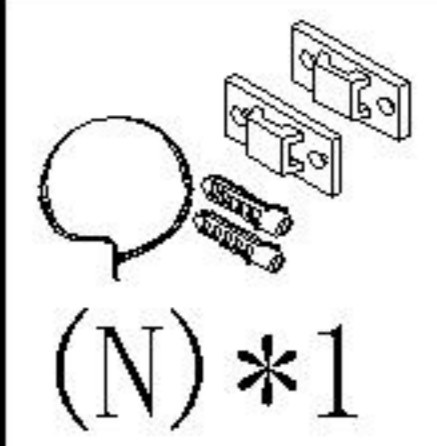
安装方法/ Installation method



二合一/2 in 1

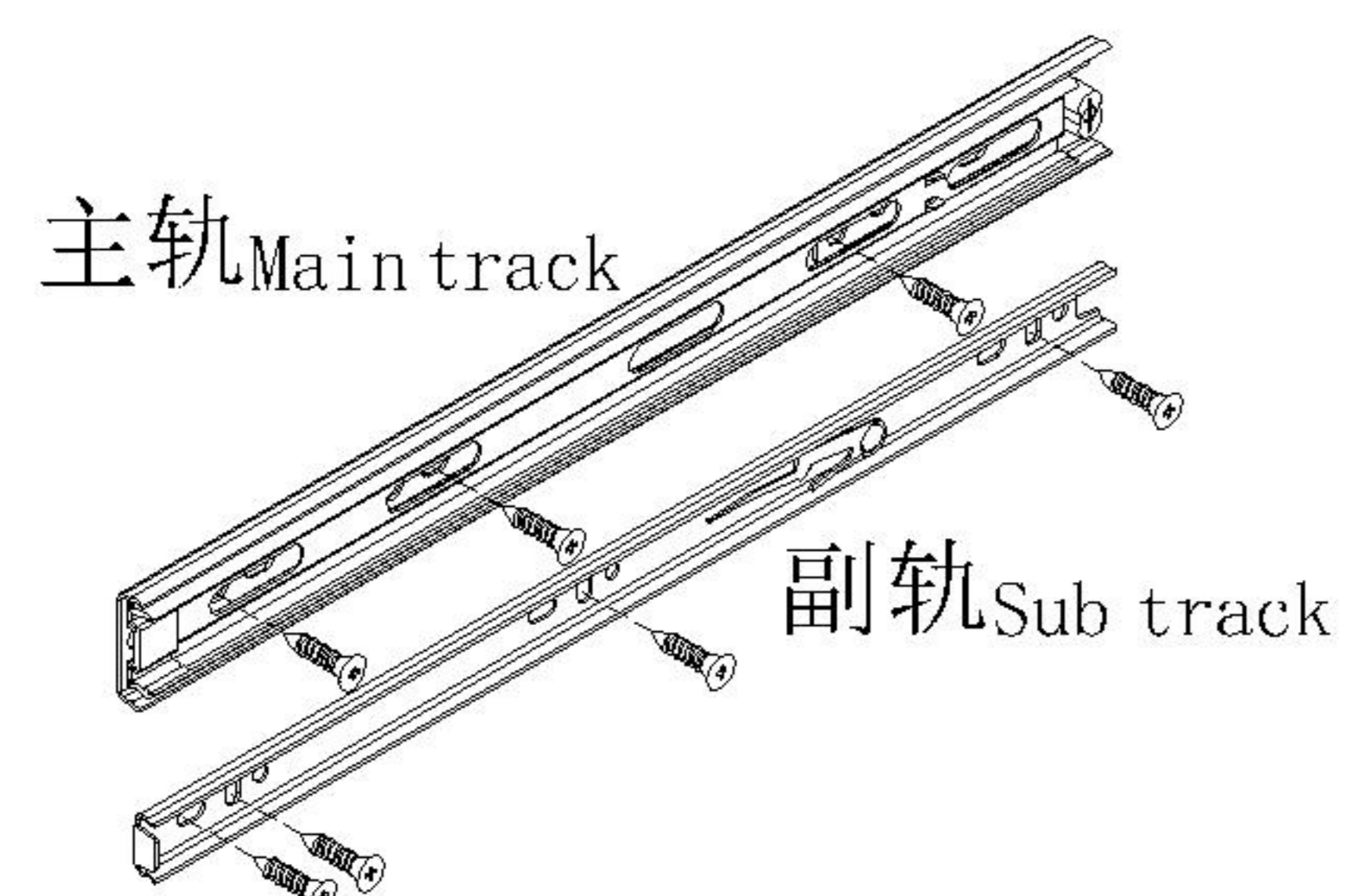
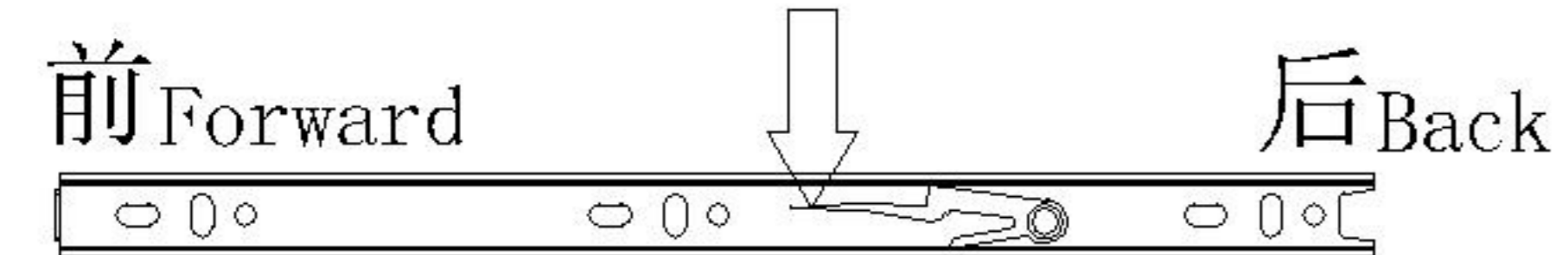


塑料螺母 Plastic nut



(N)*1

阀门开关(下压为开)
Valve switch (press down to open)



三节滚珠导轨-10"
Three Section Ball Guide-10"

实体墙
Solid wall

