

LINSY 林氏家居

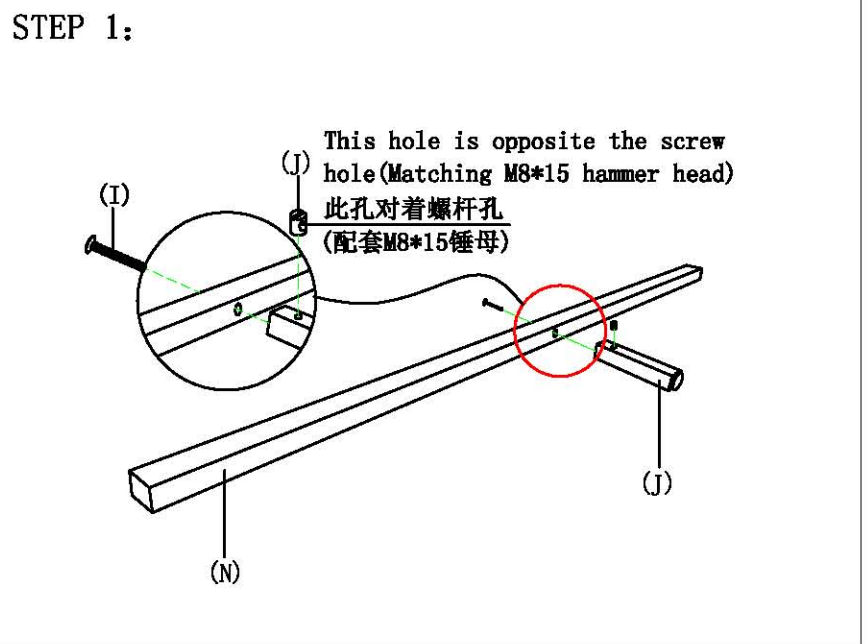
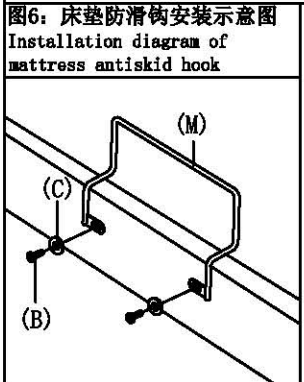
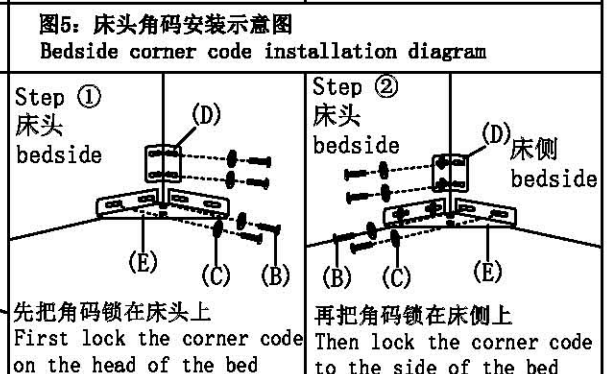
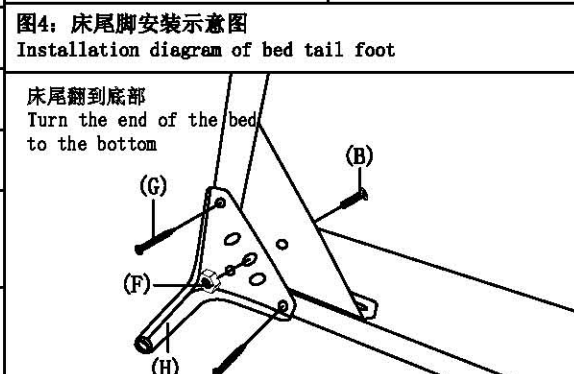
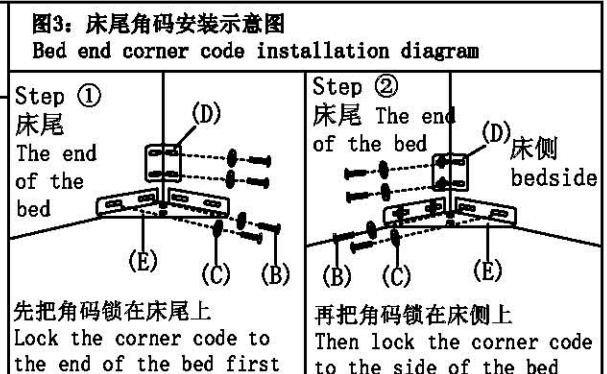
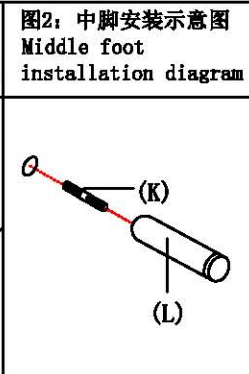
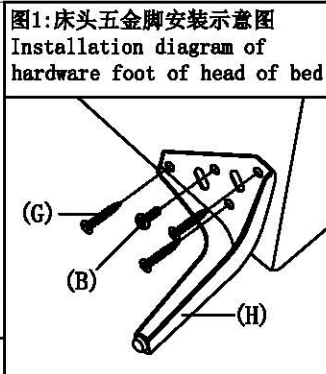
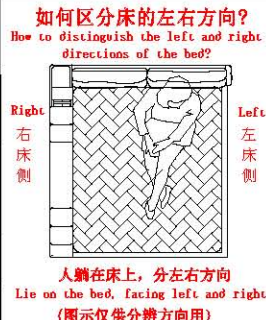
安装示意图/Assembly Instruction

产品名称 Model NO.	BC360-A#	排骨架规格 Ranked bed slat specifications (1740*1960)
产品规格 Specification	1800*2000	
尺寸组合 Combined size	2210*1870*1160mm	

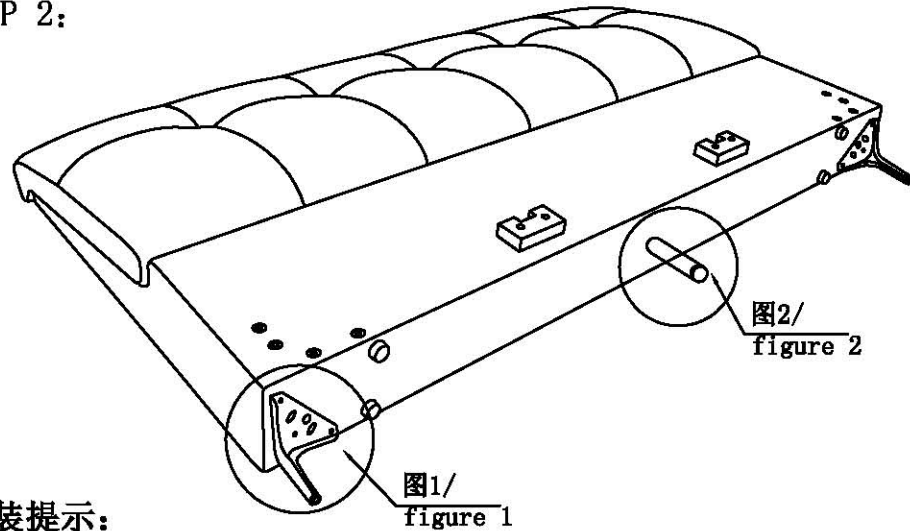
配件表/Accessories list

序号 NO.	名称 Name	图示 Icon	数量 QTY	序号 NO.	名称 Name	规格 Specification	数量 QTY	材质 Material
A	说明书(含安装图) Mounting Instruction (with drawing)		1	①	床头 The head of a bed	1870*270*1160	1	实木+夹板+海绵+皮革 Solid wood + plywood + sponge + leather
B	M8*20斜边十字螺栓 M8*20 bevel cross bolt		38	②	床侧 Side of the bed	1985*145*80	2	实木+夹板+海绵+皮革 Solid wood + plywood + sponge + leather
C	M8垫片 M8 pad		34	③	床尾 The end of the bed	1820*145*70	1	实木+夹板+海绵+皮革 Solid wood + plywood + sponge + leather
D	角码3号-01 corner bracket No.3-01		4	④	实木条形排骨架 Solid wood bed slat	1740*1960	1	实木 Solid wood
E	角码1号-01 corner bracket No. 1-01		4					
F	M8外六角螺母 M8 external hexagon nut		2					
G	M5*30自攻螺丝 M5*30 self tapping screw		10					
H	铁脚-(128*128*148mm)枪黑色三叉脚 Iron Feet -(128*128*148mm) Gun Black three akimbo feet		4					
I	M8*70斜边十字螺栓 M8*70 bevel cross bolt		2					
J	200MM排骨架实木中脚-01 (含M8*15螺母) 200MM solid wood midfoot for slat-01 (including M8*15 hammer head)		2					
K	双头螺栓 M8*45mm Double screw M8*45mm		1					
L	脚-(直径30*136-151mm)可调一字五金脚 foot-(diameter 30*136-151mm) Adjustable metal foot		1					
M	(290*48*184mm)床垫防滑钩 (290*48*184*8mm) Mattress anti-skid hook		1					
N	床侧排骨架加固条002(1975) reinforcement bar for side slat (1975)		2					

实木条形排骨架配套配件 Solid wood strip frame supporting accessories		充电式手电钻 或者 十字螺丝刀 Cordless hand drill Phillips screwdriver	
M4*30自攻螺丝=17 M4*30 self tapping screw=17			



STEP 2:

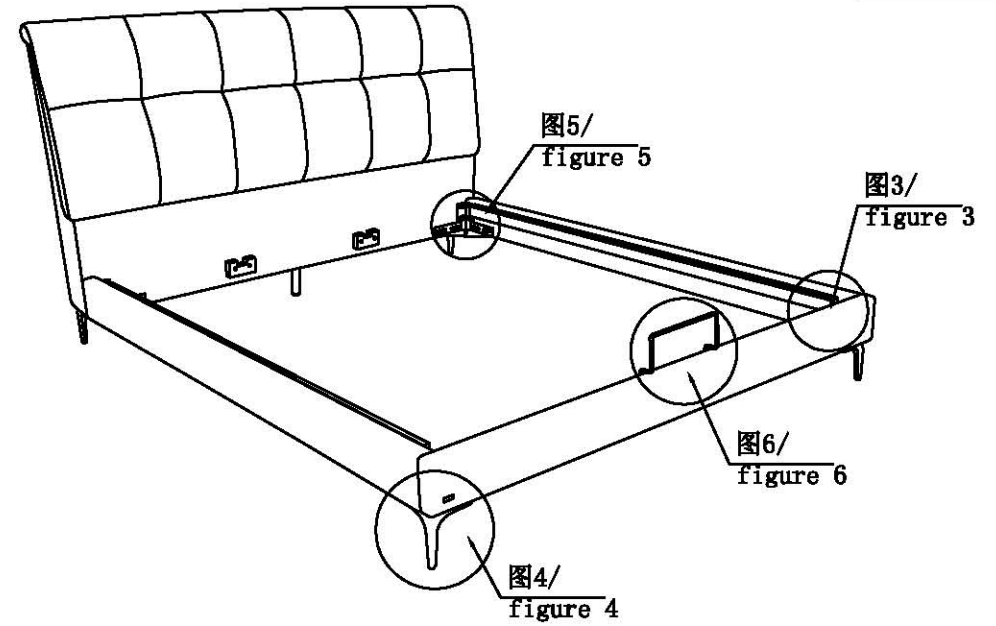
**安装提示:**

安装方式请按图1-图6的步骤顺序安装。

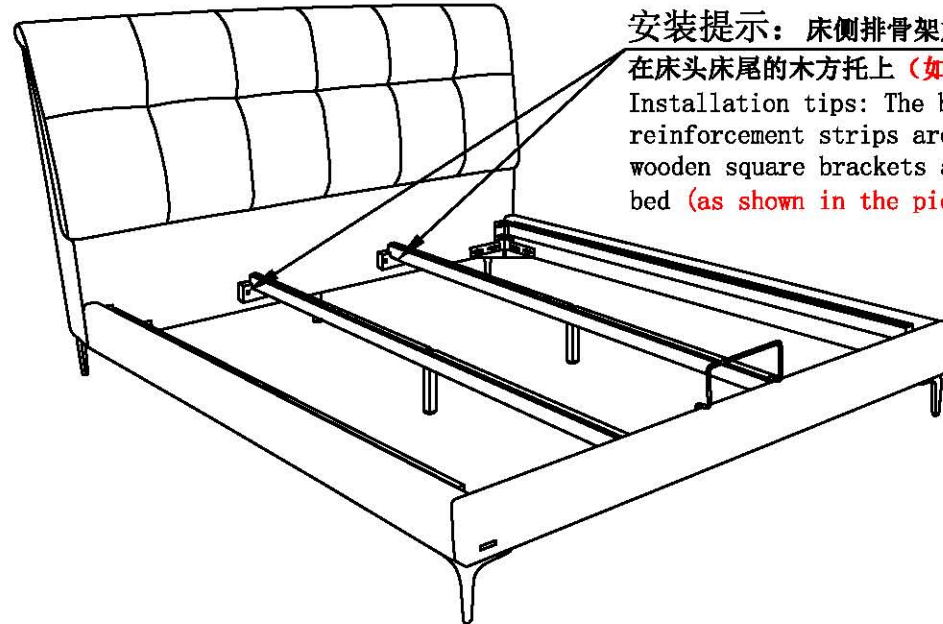
Installation tips:

Installation Method Follow the sequence shown in Figure 1 to Figure 6.

STEP 3:

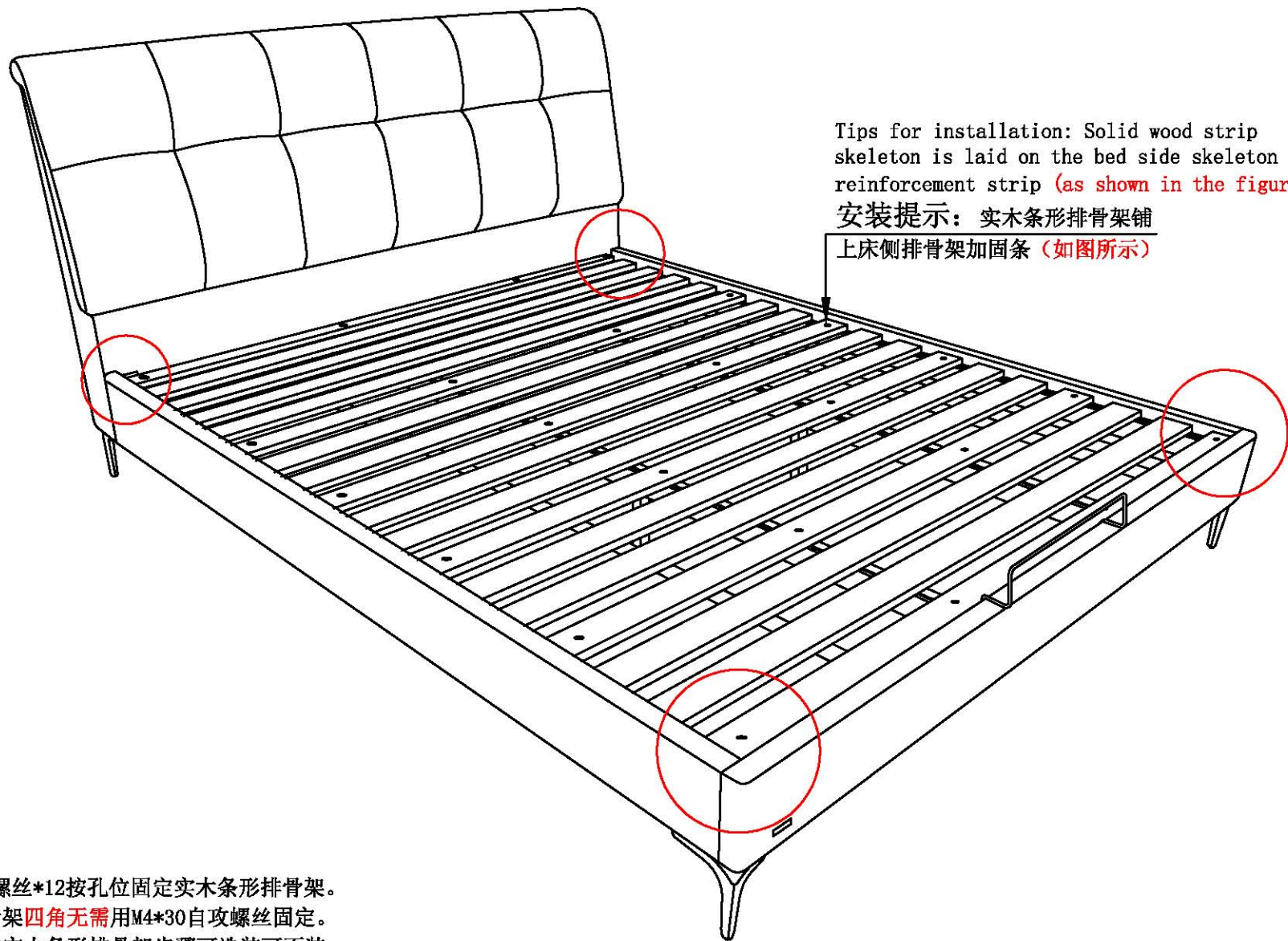


STEP 4:

**安装提示:** 床侧排骨架加固条卡

在床头床尾的木方托上 (如图所示)

Installation tips: The bed side skeleton reinforcement strips are stuck on the wooden square brackets at the head of the bed (as shown in the picture)



Tips for installation: Solid wood strip skeleton is laid on the bed side skeleton reinforcement strip (as shown in the figure)

安装提示：实木条形排骨架铺
上床侧排骨架加固条（如图所示）

注：

- 1、用M4*30自攻螺丝*12按孔位固定实木条形排骨架。
- 2、实木条形排骨架四角无需用M4*30自攻螺丝固定。
- 3、自攻螺丝固定实木条形排骨架步骤可选装可不装。

Note:

1. Use M4*30 self-tapping screws *12 to fix the solid wood strip row frame according to the hole position.
- 2, solid wood strip row frame four corners without M4*30 self tapping screws fixed.
- 3, self-tapping screws fixed solid wood strip row skeleton steps optional installation.