

LINSY 林氏家居

安装示意图/Assembly Instruction

产品名称 Model NO.	BC360-A#	排骨架规格 Ranked bed slat specifications (1440*1960)
产品规格 Specification	1500*2000	
尺寸组合 Combined size	2210*1570*1160mm	

配件表/Accessories list	部件表/Parts List
----------------------	----------------

编号 NO.	名称 Name	图示 Icon	数量 QTY	编号 NO.	名称 Name	规格 Specification	数量 QTY	材质 Material
A	说明书(含安装图) Mounting Instruction (with drawing)		1	①	床头 The head of a bed	1570*270*1160	1	实木+夹板+海绵+皮革 Solid wood + plywood + sponge + leather
B	M8*20斜边十字螺栓 M8*20 bevel cross bolt		38	②	床侧 Side of the bed	1985*145*80	2	实木+夹板+海绵+皮革 Solid wood + plywood + sponge + leather
C	M8垫片 M8 pad		34	③	床尾 The end of the bed	1520*145*70	1	实木+夹板+海绵+皮革 Solid wood + plywood + sponge + leather
D	角码3号-01 corner bracket No.3-01		4	④	实木条形排骨架 Solid wood bed slat	1440*1960	1	实木 Solid wood
E	角码1号-01 corner bracket No. 1-01		4					
F	M8外六角螺母 M8 external hexagon nut		2					
G	M5*30自攻螺丝 M5*30 self tapping screw		10					
H	铁脚-(128*128*148mm)枪黑色三叉脚 Iron Feet -(128*128*148mm) Gun Black three akimbo feet		4					
I	M8*70斜边十字螺栓 M8*70 bevel cross bolt		2					
J	200MM排骨架实木中脚-01 (含M8*15螺母) 200MM solid wood midfoot for slat-01 (including M8*15 hammer head)		2					
K	双头螺杆 M8*45mm Double screw M8*45mm		1					
L	脚-(直径30*136-151mm)可调一字五金脚 foot-(diameter 30*136-151mm) Adjustable metal foot		1					
M	(290*48*184mm)床垫防滑钩 (290*48*184*8mm) Mattress anti-skid hook		1					
N	床侧排骨架加固条002(1975) reinforcement bar for side slat (1975)		2					

制图 Draw	C16	Page NO. 页码 (3-1)
安装工具 Tool	安装人数 Installer	

实木条形排骨架配套配件 Solid wood strip frame supporting accessories	
M4*30自攻螺丝=17 M4*30 self tapping screw=17	

充电式手电钻 或者 十字螺丝刀
Cordless hand drill
Phillips screwdriver

如何区分床的左右方向?
How to distinguish the left and right
directions of the bed?

Right 右床侧
Left 左床侧

人躺在床上, 分左右方向
Lie on the bed, facing left and right
(图示仅供分辨方向用)

图1: 床头五金脚安装示意图
Installation diagram of
hardware foot of head of bed

图2: 中脚安装示意图
Middle foot
installation diagram

图3: 床尾角码安装示意图
Bed end corner code
installation diagram

Step ①
床尾
The end
of the
bed

先把角码锁在床尾上
Lock the corner code to
the end of the bed first

Step ②
床尾 The end
of the bed

再把角码锁在床侧上
Then lock the corner code
to the side of the bed

图4: 床尾脚安装示意图
Installation diagram of bed tail foot

床尾翻到底部
Turn the end of the bed
to the bottom

图5: 床头角码安装示意图
Bedside corner code
installation diagram

Step ①
床头
bedside

先把角码锁在床头上
First lock the corner code
on the head of the bed

Step ②
床头
bedside

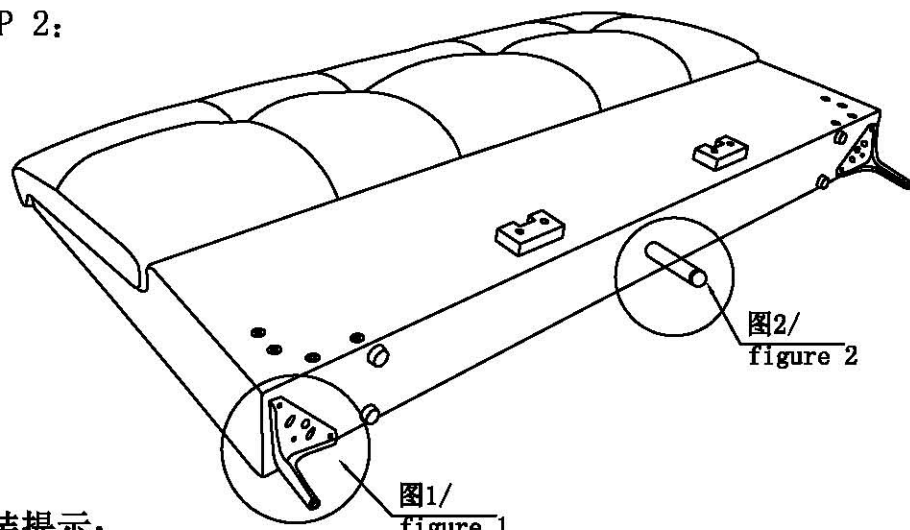
再把角码锁在床侧上
Then lock the corner code
to the side of the bed

图6: 床垫防滑钩安装示意图
Installation diagram of
mattress antiskid hook

STEP 1:

This hole is opposite the screw
hole (Matching M8*15 hammer
head)
此孔对着螺杆孔
(配套M8*15螺母)

STEP 2:



安装提示:

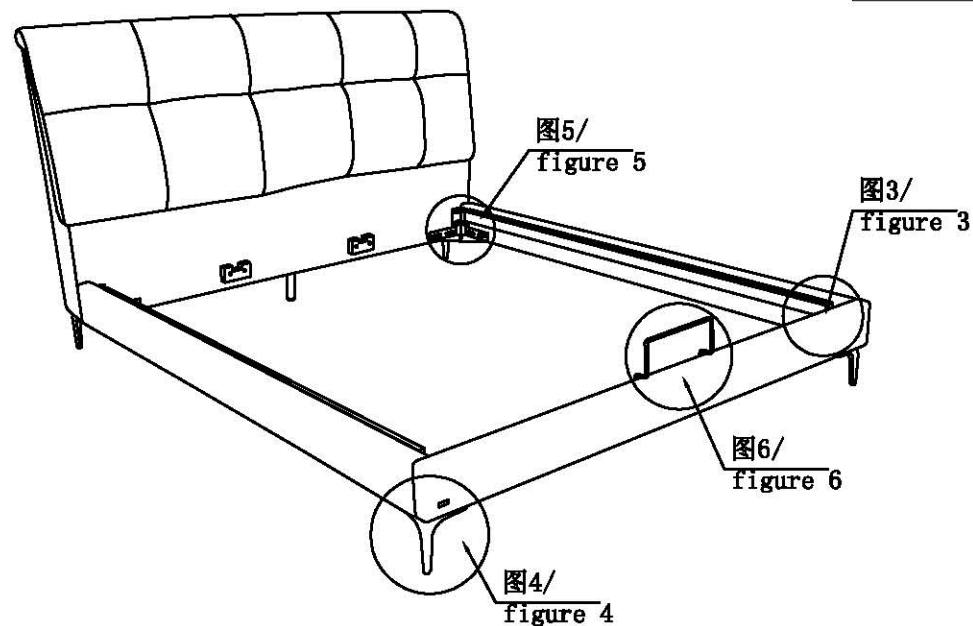
安装方式请按图1-图6的步骤顺序安装。

Installation tips:

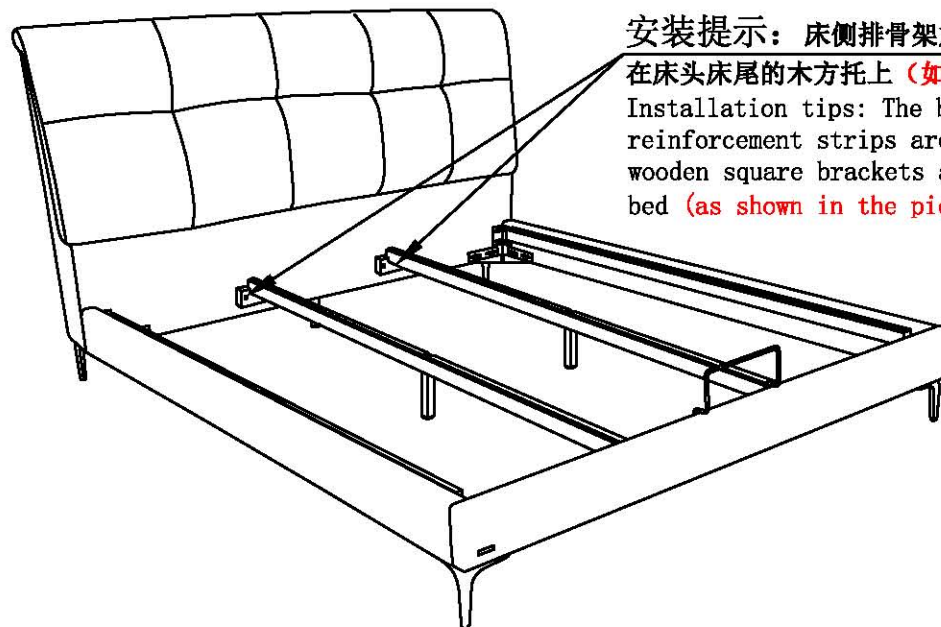
Installation Method Follow the sequence shown in Figure 1 to Figure 6.

3-2

STEP 3:



STEP 4:

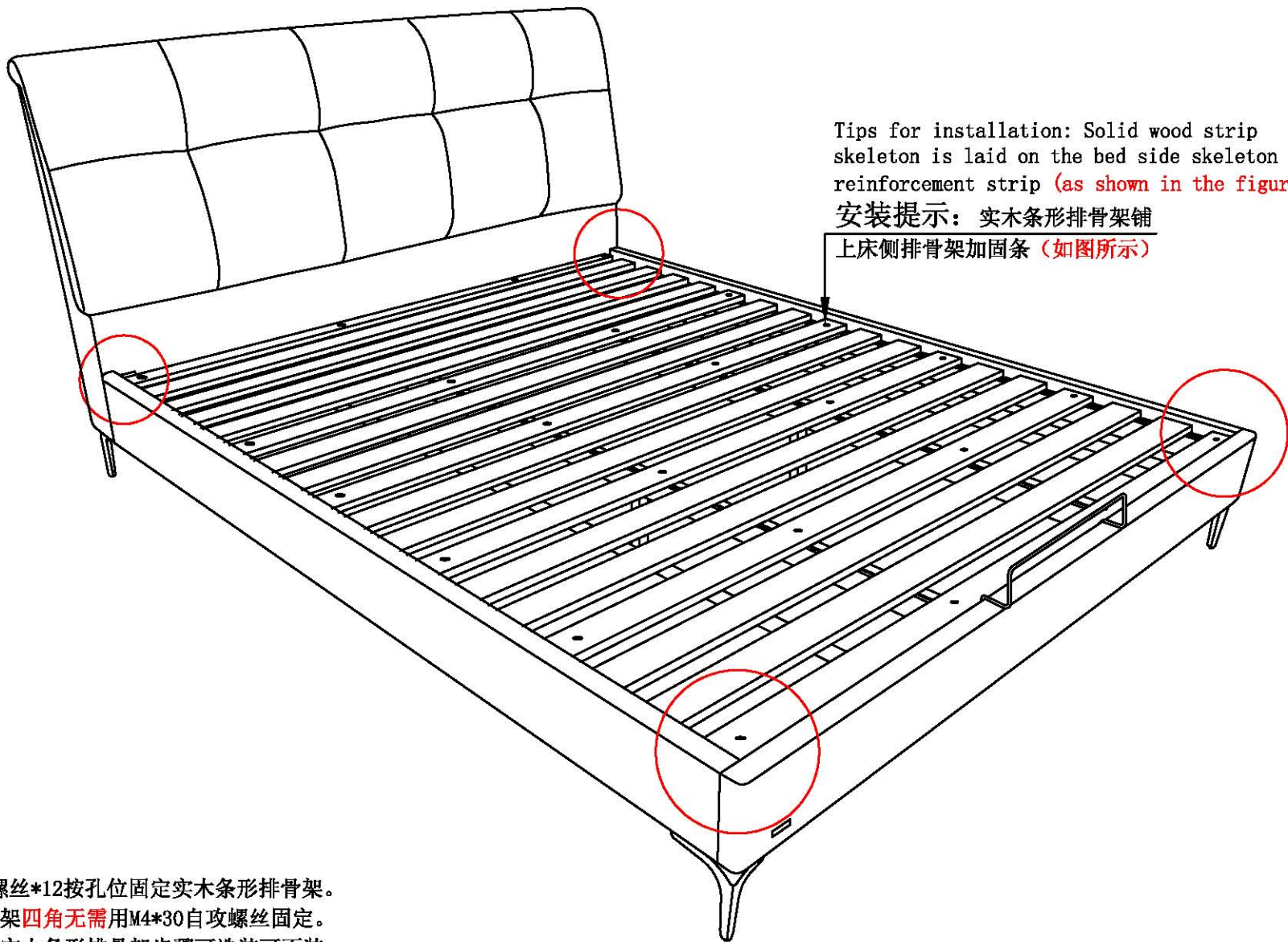


安装提示:

床侧排骨架加固条卡在

床头床尾的木方托上 (如图所示)

Installation tips: The bed side skeleton reinforcement strips are stuck on the wooden square brackets at the head of the bed (as shown in the picture)

**注：**

- 1、用M4*30自攻螺丝*12按孔位固定实木条形排骨架。
- 2、实木条形排骨架四角无需用M4*30自攻螺丝固定。
- 3、自攻螺丝固定实木条形排骨架步骤可选装可不装。

Note:

1. Use M4*30 self-tapping screws *12 to fix the solid wood strip row frame according to the hole position.
- 2, solid wood strip row frame four corners without M4*30 self tapping screws fixed.
- 3, self-tapping screws fixed solid wood strip row skeleton steps optional installation.