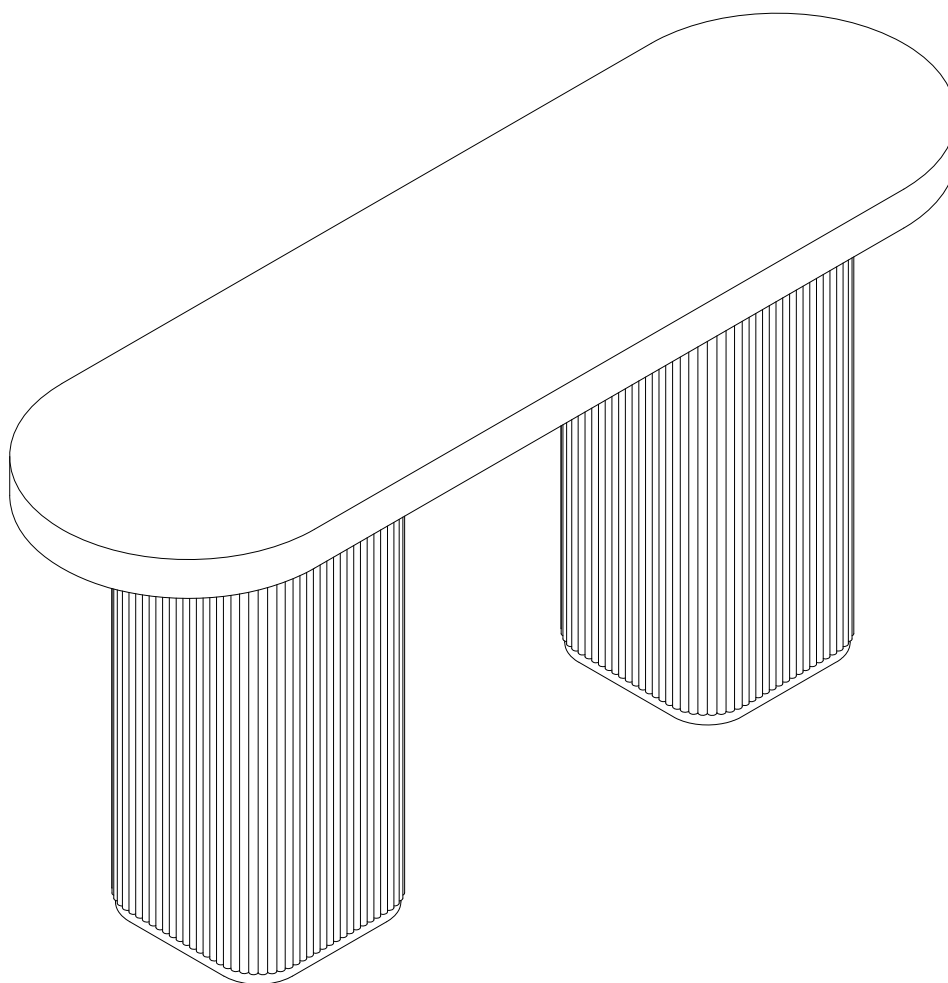


# Assembly Instructions

Tate Series



# Lifely\*

## Product Code

TATE-CST-BLK/TATE-CST-NATURAL Tate Console Table

## Dimensions (W x D x H)

1500\*450\*750mm

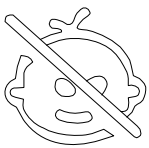
---

## Important

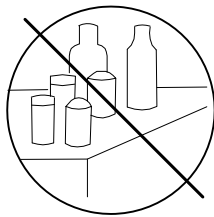
Please read through instruction carefully  
Before assembly and keep for future reference.

For our full catalogue of assembly instructions,  
Visit: [lifely.com.au/assembly](http://lifely.com.au/assembly).

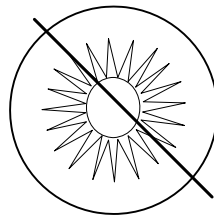
## Important Tips and Maintenance



1. Keep children and animals away from working area as smaller parts may cause choking if swallowed.



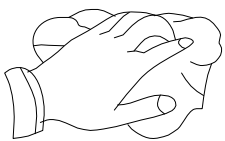
2. Never place liquids or anything damp upon furniture as it will mark. Ensure a coaster or running is beneath.



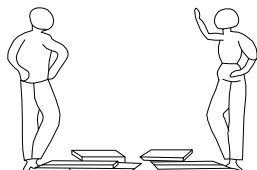
3. Never use ammonia based cleaning products as it will damage the finish.



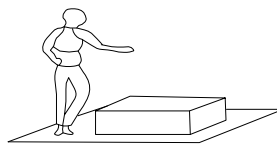
4. To avoid fading, keep furniture out of direct sunlight.



5. Use a soft or damp cloth (dry cloth) when wiping or cleaning surfaces.



6. Two person are required.



7. Lay a soft matt down to protect the furniture piece before and during assembly.

So your relationship is strong. But is it flat-pack furniture strong? Unless you're an aerospace engineer, assembling furniture can be slightly stressful. We recommend meditating quietly, pouring yourself a herbal tea (or slightly less herbal wine) and tackling things one step at a time. If you feel a passive aggressive remark coming on, try a compliment instead. E.g. "You're so good looking."

This 7-step assembly should take around 80 minutes with an Allen key - or 60 minutes with an electric drill.

Designed for everyday

## Component Hardware

Please check you have all the fittings  
part or tools are listed in below.

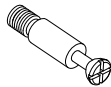
### No. A

Quantity:32Pcs  
Cam Lock  
 $\phi$  15\*10mm



### No. B

Quantity:32Pcs  
Cam Lock Dowel  
 $\phi$  7\*25



### No. C

Quantity:1Pc  
Key



### No. D

Quantity:32 Pcs  
Cover  
 $\phi$  21mm



### No. E

Screw:8 Pcs  
 $\phi$  7\*38



### No. F

Quantity:32Pcs  
Wood Dowel  
 $\phi$  8\*30mm



### No. G

Quantity:2 Pcs  
Screw  
 $\phi$  3.5\*14mm



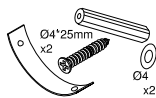
### No. H

Quantity:24 Pcs  
Screw  
M6\*18mm



### No. I

Quantity:8Pcs  
EVA Pad  
 $\phi$  15mm  
L=200mm



### No. J

Quantity:8Pcs  
EVA Pad  
 $\phi$  15mm



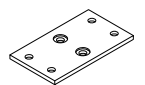
### No. K

Quantity:1 Pc  
Key  
4mm



### No. L

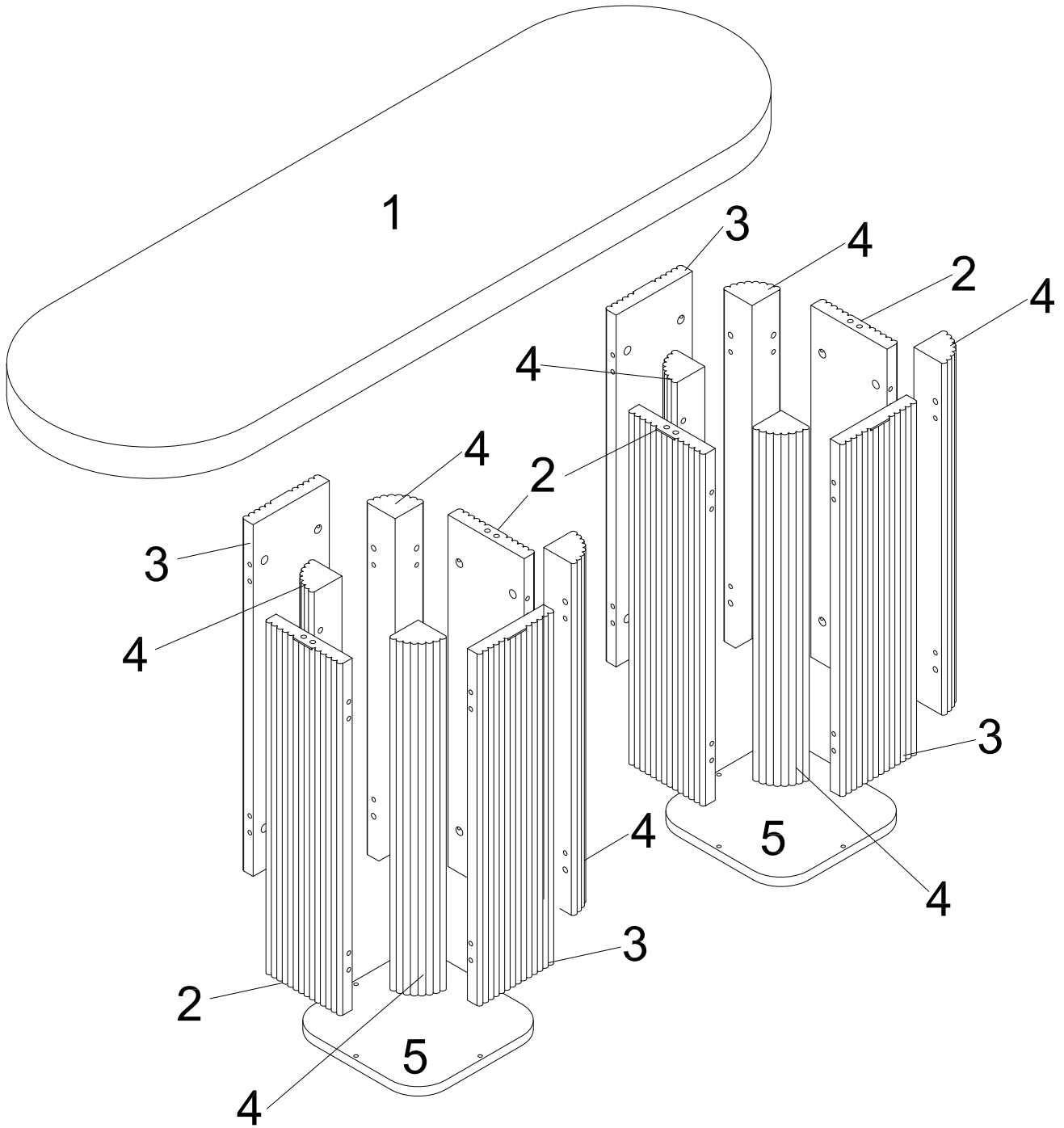
Quantity:4 Pcs  
Metal bar



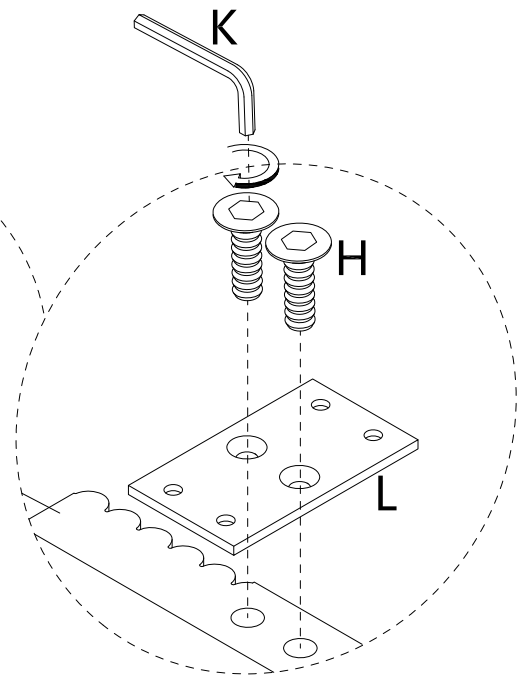
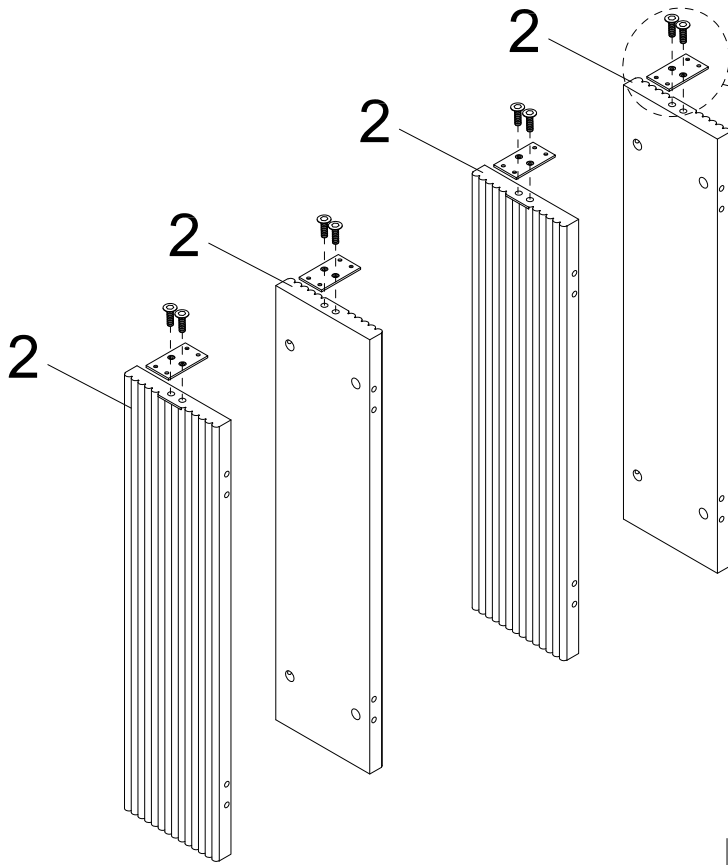
# Component Panels & part List

Please check you have all the panels  
are listed below.

- 1. Top Panel-----x1 CTN 2/2
- 2. Side Panel A-----x4 CTN 1/2
- 3. Side Panel B-----x4 CTN 1/2
- 4. Corner Leg-----x8 CTN 1/2
- 5. Bottom Panel-----x2 CTN 1/2



# STEP 1



Please make sure screw H is flat with metal plate L after screwing.

No. H

Quantity:8 Pcs



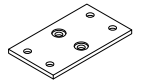
No. K

Quantity:1 Pc

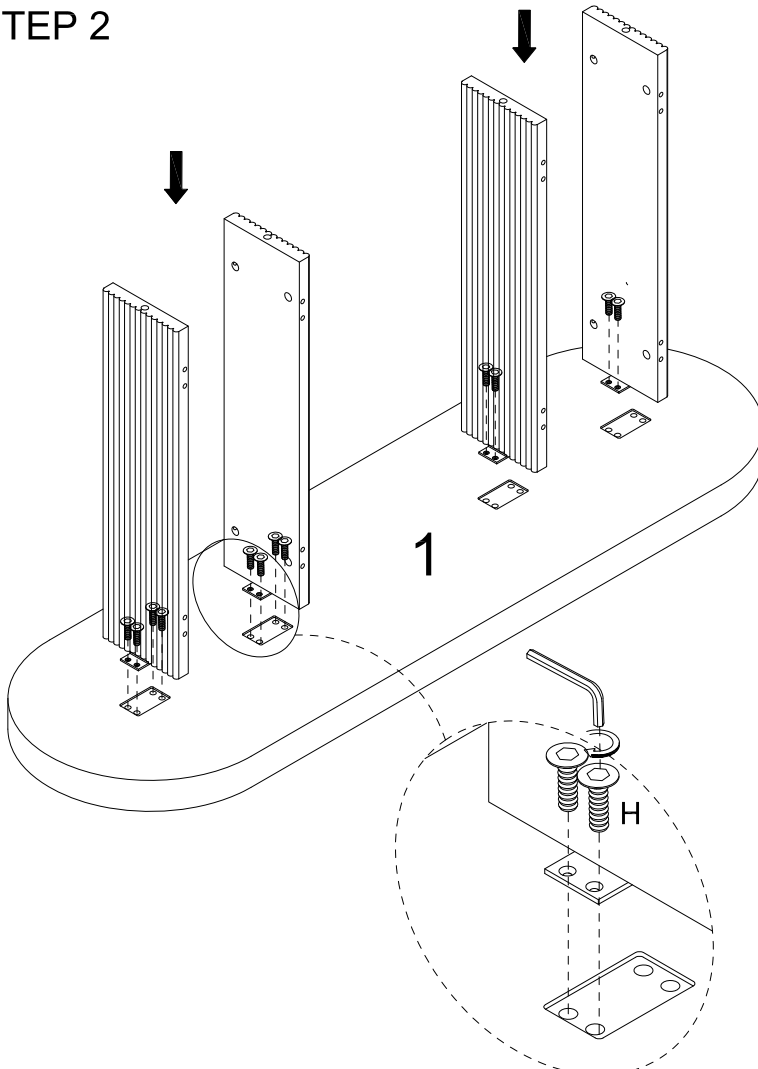


No. L

Quantity:4 Pcs



# STEP 2



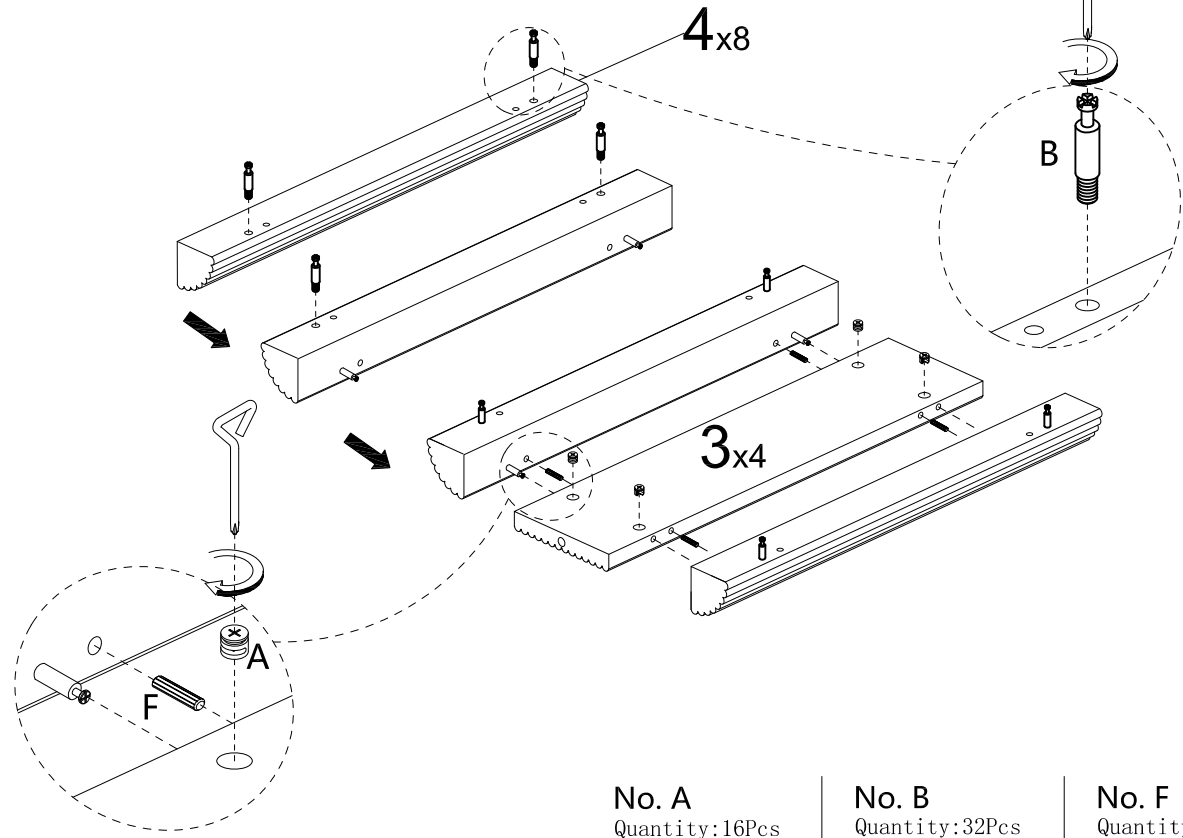
No. H

Quantity:16 Pcs



Please tighten all the screw "H" by hand first, then tighten fully by allen key.

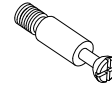
# STEP 3



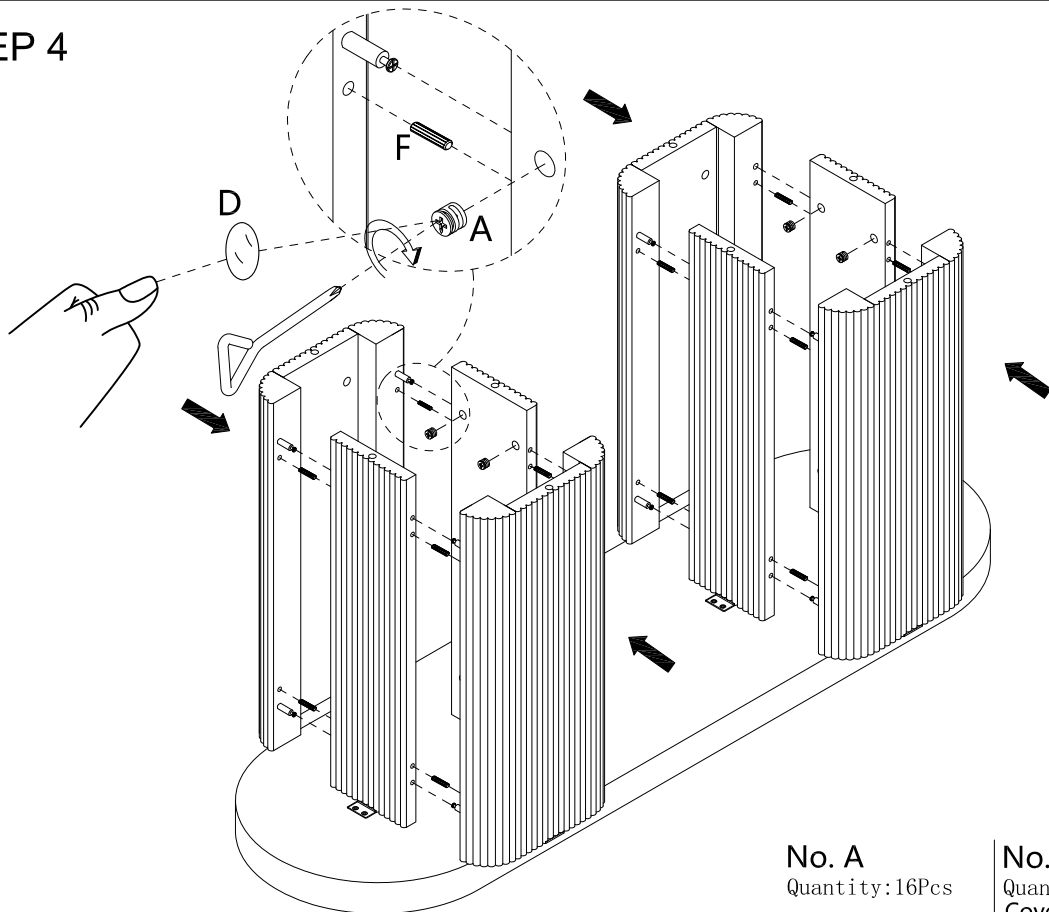
No. A  
Quantity: 16Pcs

No. B  
Quantity: 32Pcs

No. F  
Quantity: 16Pcs



# STEP 4



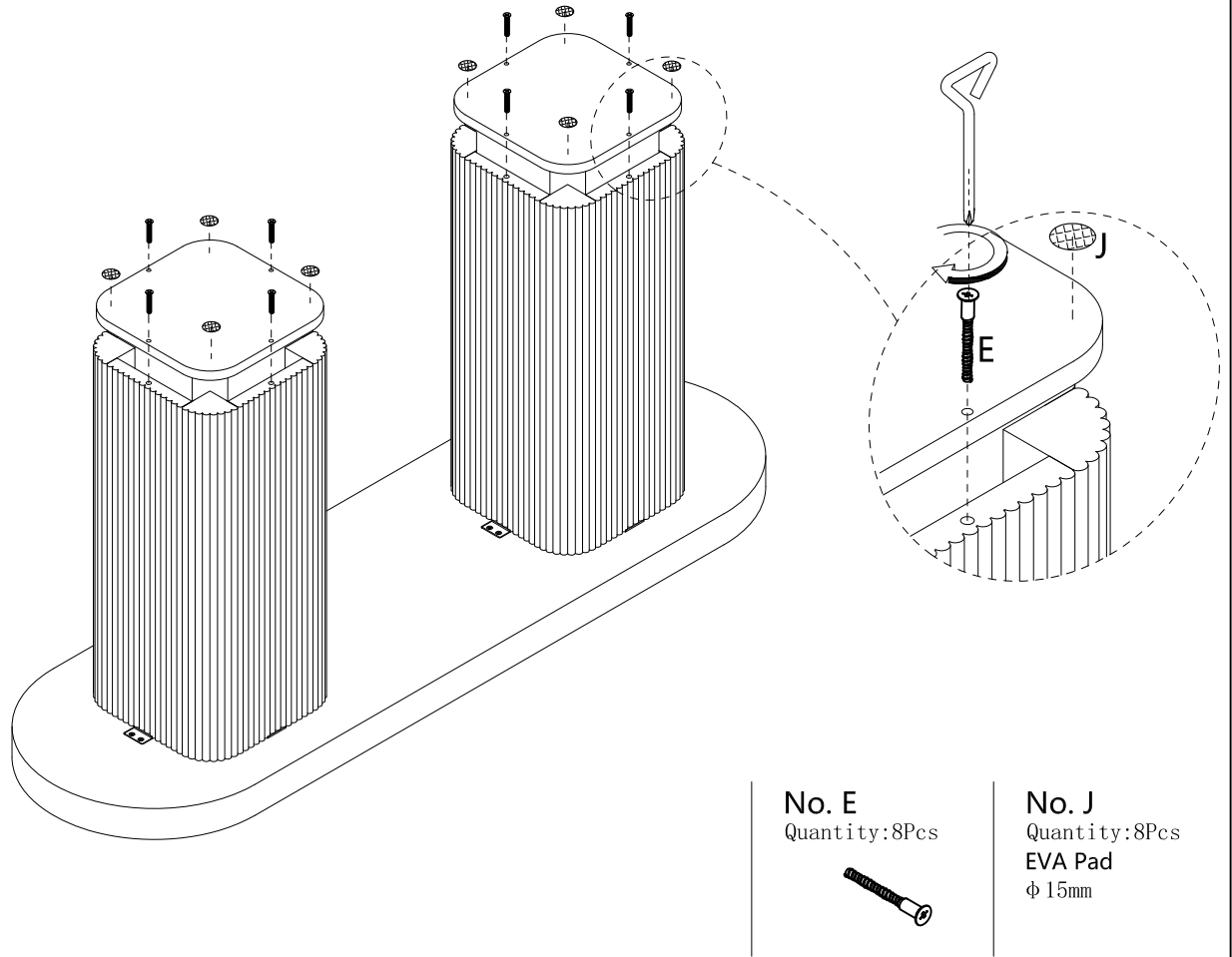
No. A  
Quantity: 16Pcs

No. D  
Quantity: 32Pcs  
Cover  
Φ 21mm

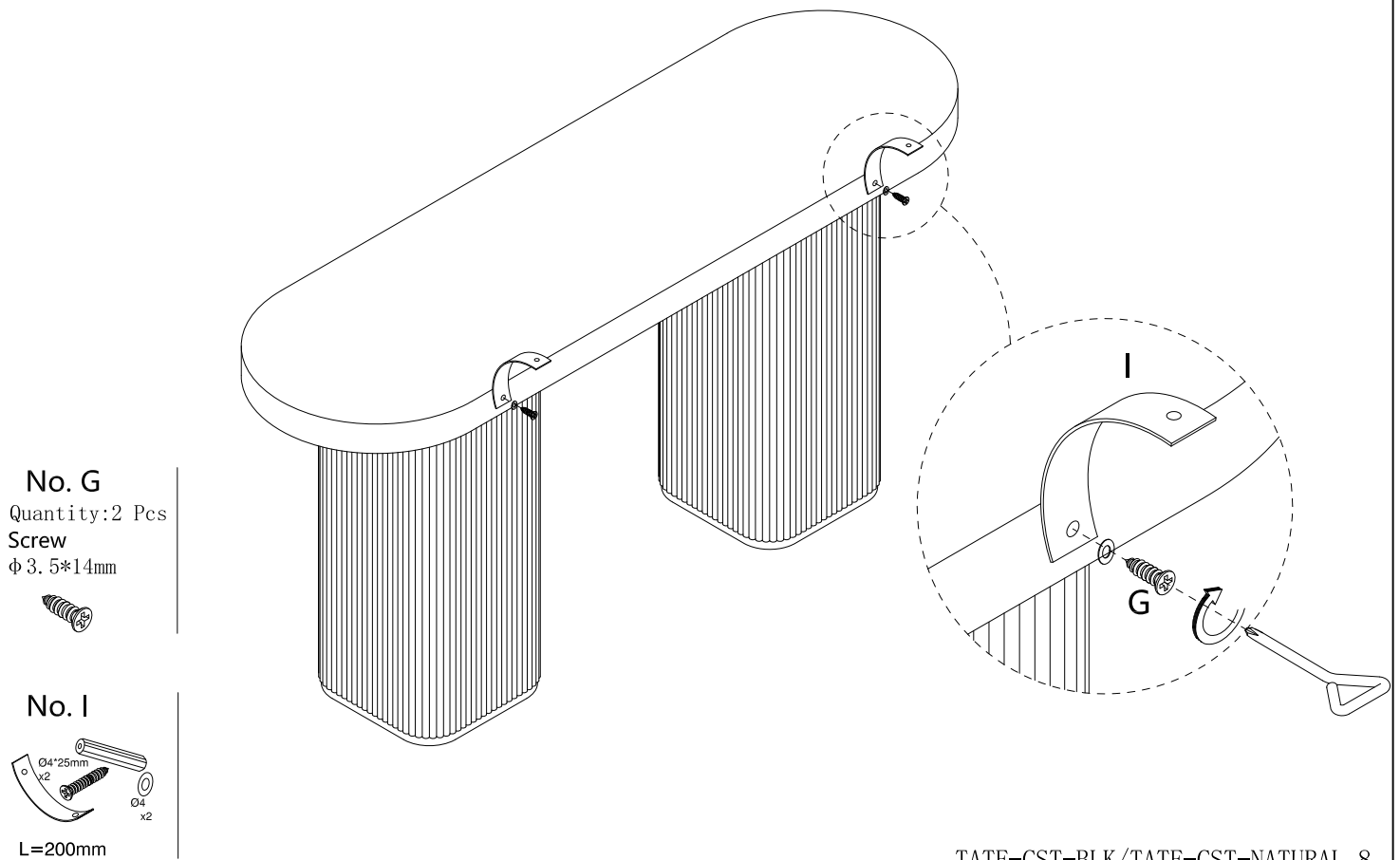
No. F  
Quantity: 16Pcs



# STEP 5

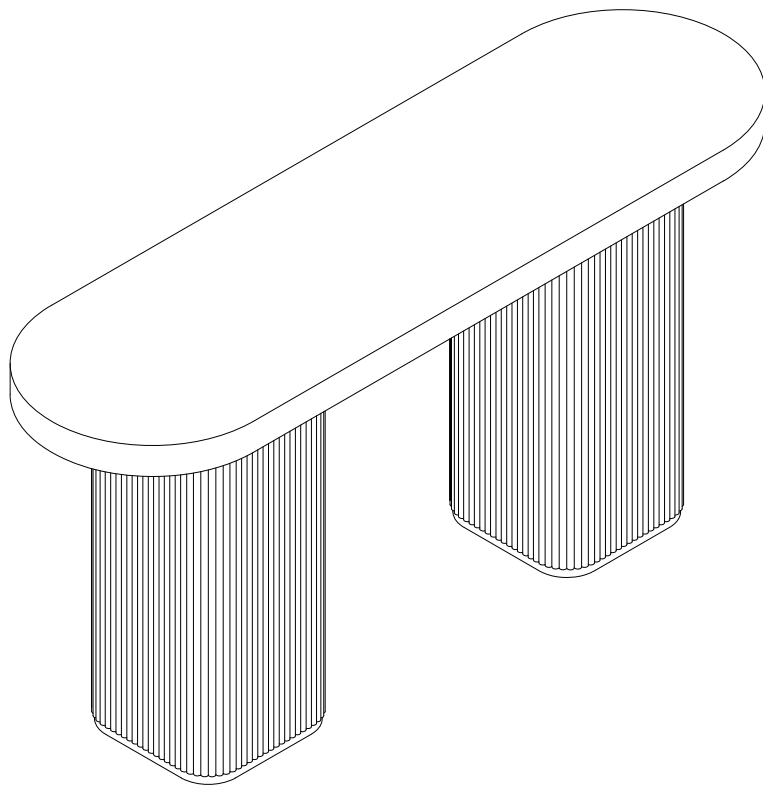
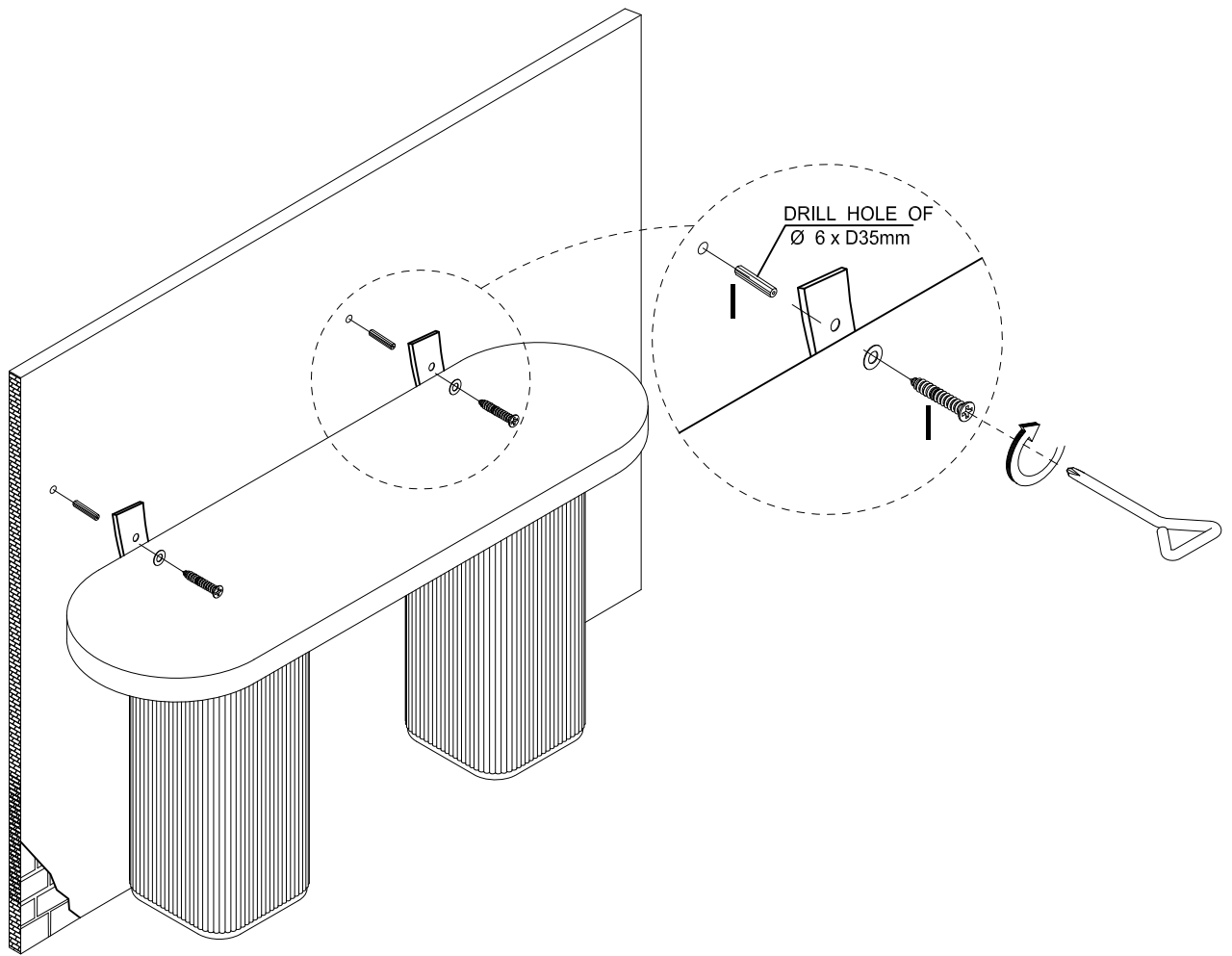


# STEP 6





# STEP 7



lifely.com.au

Great job. You're done!

Don't forget to share how it looks in  
your space and tag us on Instagram.

@lifelyhome #homewithlifely!