

Assembly Instructions

Duncan Series



Lifely*

Product Code

DNCN-OC-WHT

Dimensions(WxDx H)

730x724x940mm

Important

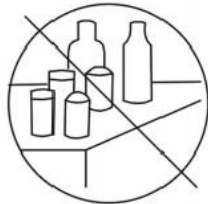
Please read through instruction carefully
Before assembly and keep for future reference.

For our full catalogue of assembly instructions,
Visit: lifely.com.au/assembly.

Important Tips and Maintenance



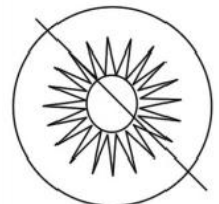
1. Keep children and animals away from working area as smaller parts may cause choking if swallowed.



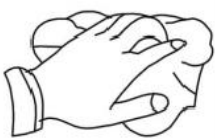
2. Never place liquids or anything damp upon furniture as it will mark. Ensure a coaster or running is beneath.



3. Never use ammonia based cleaning products as it will damage the finish.



4. To avoid fading, keep furniture out of direct sunlight.



5. Use a soft or damp cloth (dry cloth) when wiping or cleaning surfaces.



6. Two person are required.



7. Lay a soft mat down to protect the furniture piece before and during assembly.

So your relationship is strong. But is it flat-pack furniture strong? Unless you're an aerospace engineer, assembling furniture can be slightly stressful. We recommend meditating quietly, pouring yourself a herbal tea (or slightly less herbal wine) and tackling things one step at a time. If you feel a passive aggressive remark coming on, try a compliment instead .E.g. "You're so good looking".

This 4-Step assembly should take around 25 minutes. with an Allen Key-or 20 minutes with an electric drill. Godspeed.

Component Hardware

Please check you have all the fittings part or tools are listed in below.

No.A
Quantity:4Pcs
Screw M6*20mm



No.B
Quantity:4Pcs
Lock Washer M6



No.C
Quantity:4Pcs
Flat Washer M6x16mm



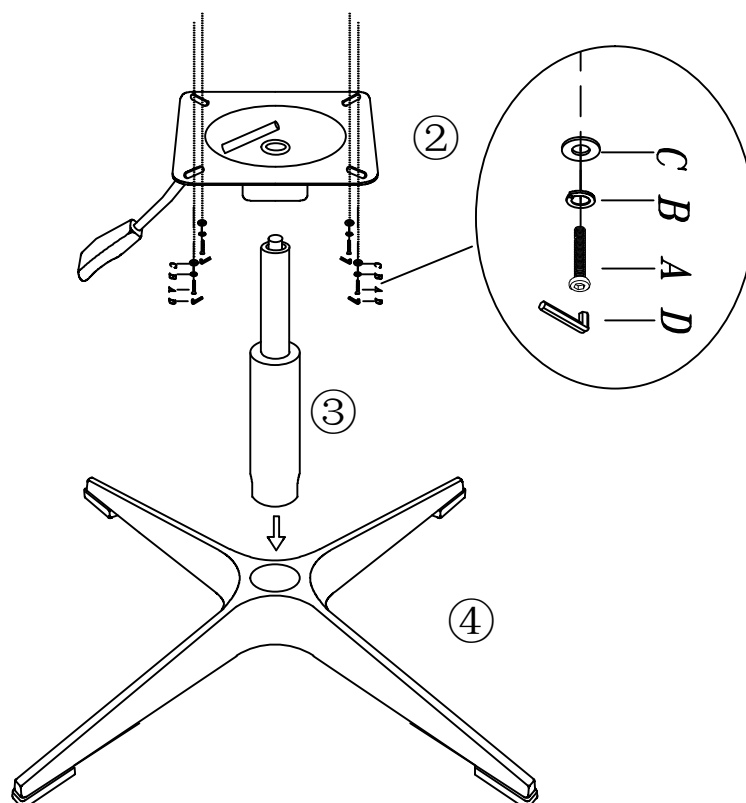
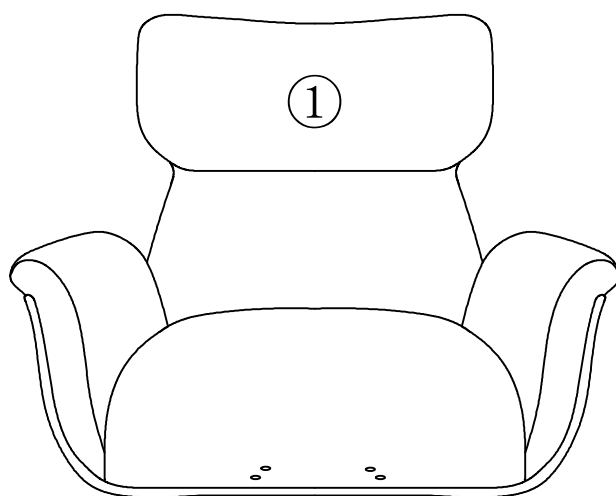
No.D
Quantity:1Pc
Allen Key M6



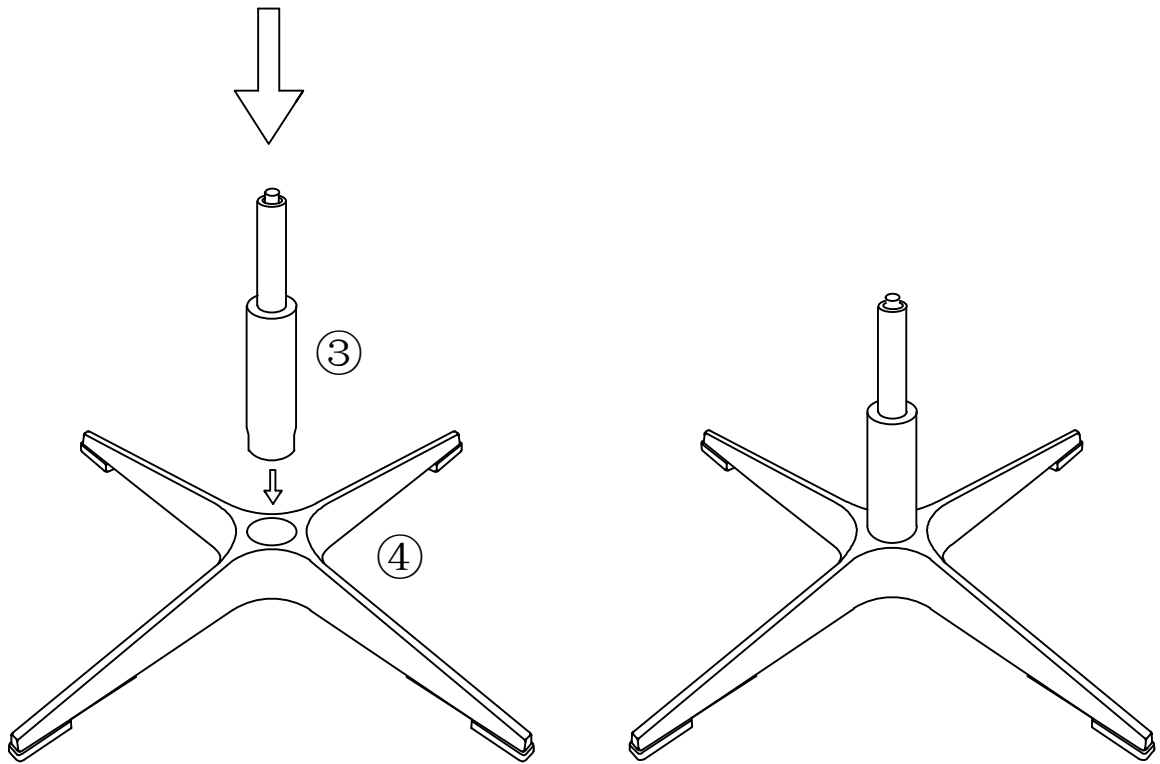
Component Panels & part List

Please check you have all the panels are listed below.

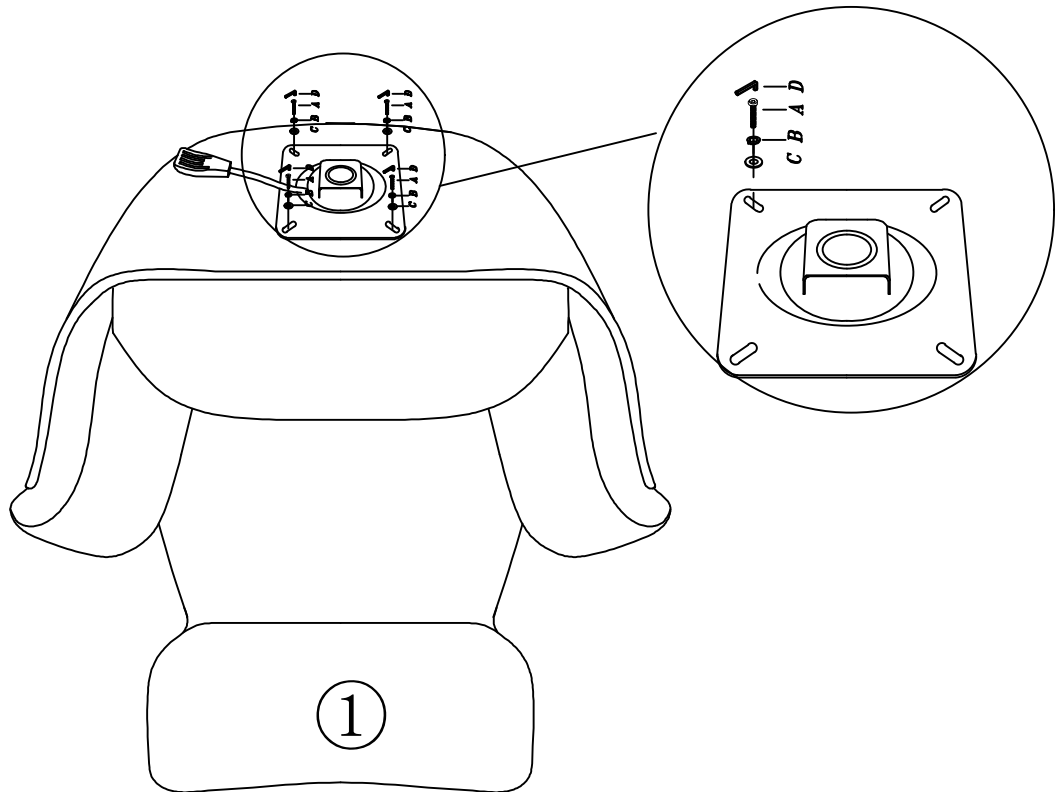
- 1. Body x1
- 2. Tray x1
- 3. Gas rod x1
- 4. Base x1



STEP 1



STEP 2



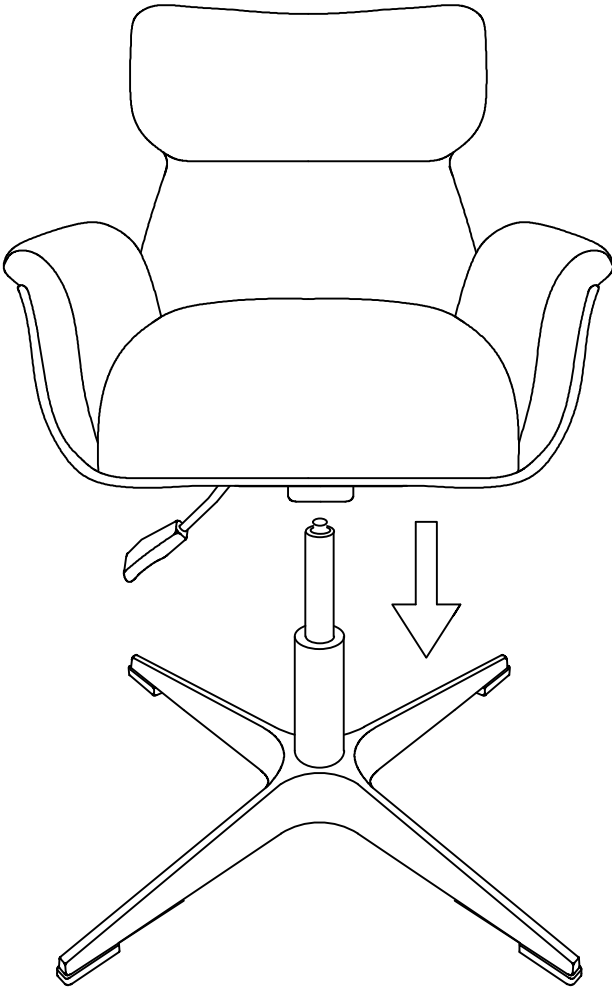
No.A
Quantity:4Pcs
Screw M6*20mm

No.B
Quantity:4Pcs
Lock Washer M6

No.C
Quantity:4Pcs
Flat Washer M6x16mm

No.D
Quantity:1Pc
Allen Key M6

STEP 3



STEP 4



lifely.com.au

Great job. You're done!

Don't forget to share how it looks in
your space and tag us on Instagram.
[@lifelyhome](#)[#homewithlifely!](#)