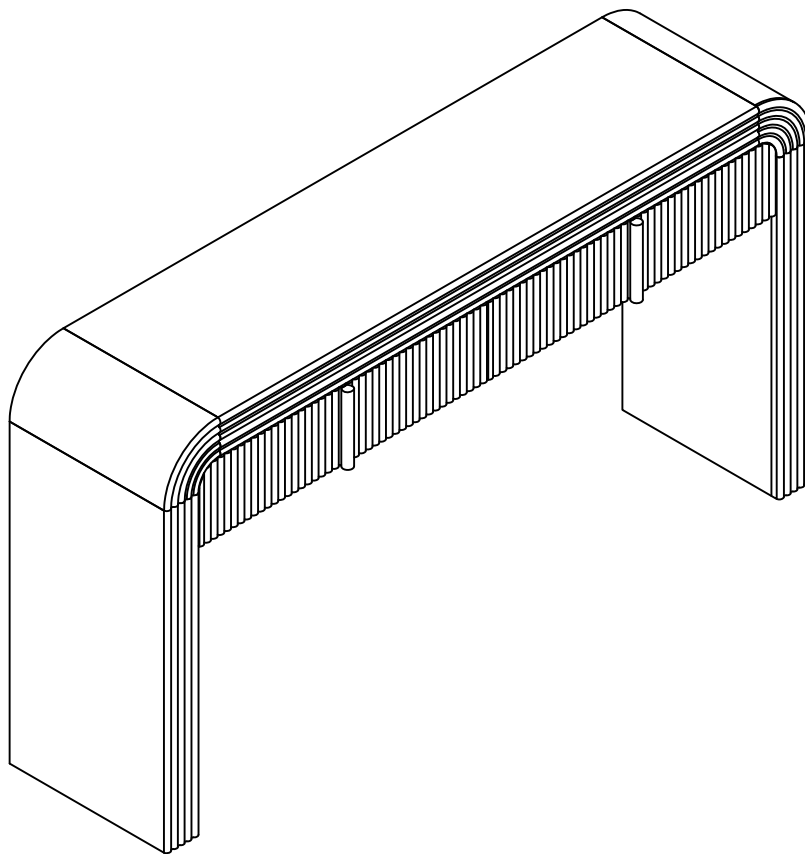


Assembly Instructions

Arlo Series



Lifely*

Product Code

ARLO-CST-WHT Arlo Console Table

Dimensions(W x D x H)

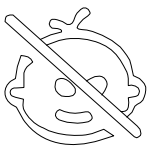
1440*350*780mm

Important

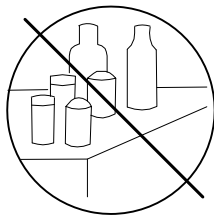
Please read through instruction carefully
Before assembly and keep for future reference.

For our full catalogue of assembly instructions,
Visit: lifely.com.au/assembly.

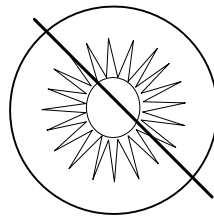
Important Tips and Maintenance



1. Keep children and animals away from working area as smaller parts may cause choking if swallowed.



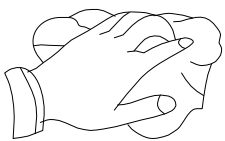
2. Never place liquids or anything damp upon furniture as it will mark. Ensure a coaster or running is beneath.



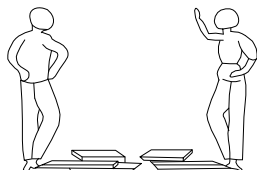
3. Never use ammonia based cleaning products as it will damage the finish.



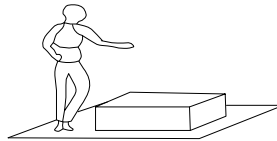
4. To avoid fading, keep furniture out of direct sunlight.



5. Use a soft or damp cloth (dry cloth) when wiping or cleaning surfaces.



6. Two person are required.



7. Lay a soft matt down to protect the furniture piece before and during assembly.

So your relationship is strong. But is it flat-pack furniture strong? Unless you're an aerospace engineer, assembling furniture can be slightly stressful. We recommend meditating quietly, pouring yourself a herbal tea (or slightly less herbal wine) and tackling things one step at a time. If you feel a passive aggressive remark coming on, try a compliment instead. E.g. "You're so good looking."

This 11-step assembly should take around 44 minutes with an Allen key- or 30 minutes with an electric drill.

Designed for everyday

Component Hardware Hardware are in box 1

Please check you have all the fittings part or tools are listed in below.

No. A
Quantity:40 Pcs
Cam
φ15*12mm



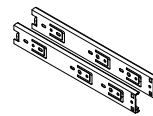
No. B
Quantity:40 Pcs
Cam Lock Dowel
φ7*25



No. C
Quantity:10 Pcs
Wood Dowel
Ø8*30mm



No. D
Quantity:2 Sets
L=250mm



No. E
Quantity:4 Pcs
Screw
M4*25mm



No. F
Quantity:24Pcs
Screw
φ3.5*14mm



No. G
Quantity:44Pcs
Cover
φ21mm



No. H
Quantity:4Pcs
EVA Pad
φ25



No. I
Quantity:8 Pcs
M8



No. J
Quantity:8 Pcs
Screw
M8x70



No. K
Quantity:8 Pcs



No. L
Quantity:8Pcs
Cover
φ50mm



No. M
Quantity:8 Pcs
Screw
φ4*35mm



No. N
Quantity:1 Pc
Key
5mm
L=200mm



No. O
Quantity:1 Pc
Key
5mm



No. P
Quantity:1 Pc
Spanner



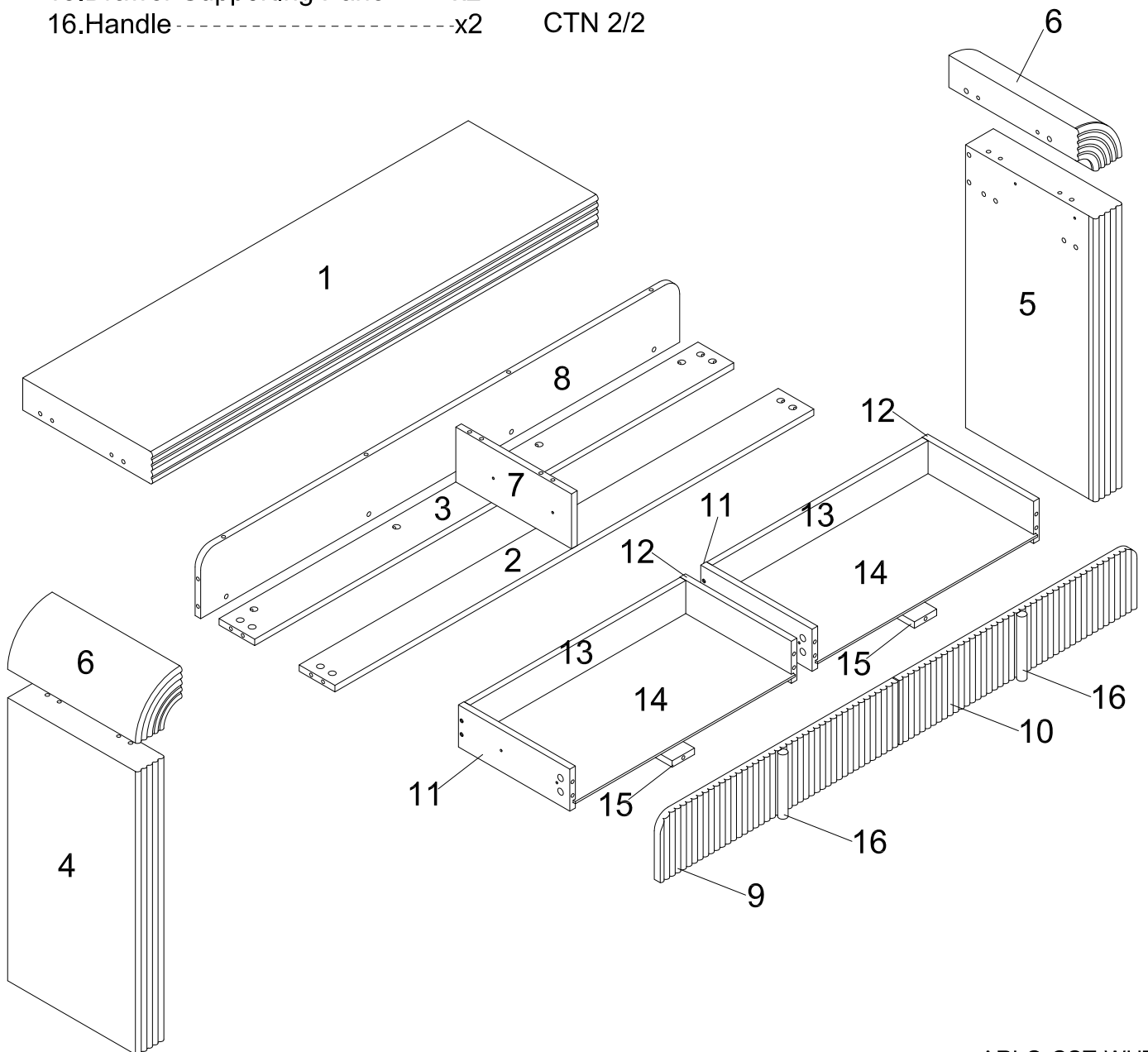
No. Q
Quantity:1 Pair
Gloves



Component Panels & part List

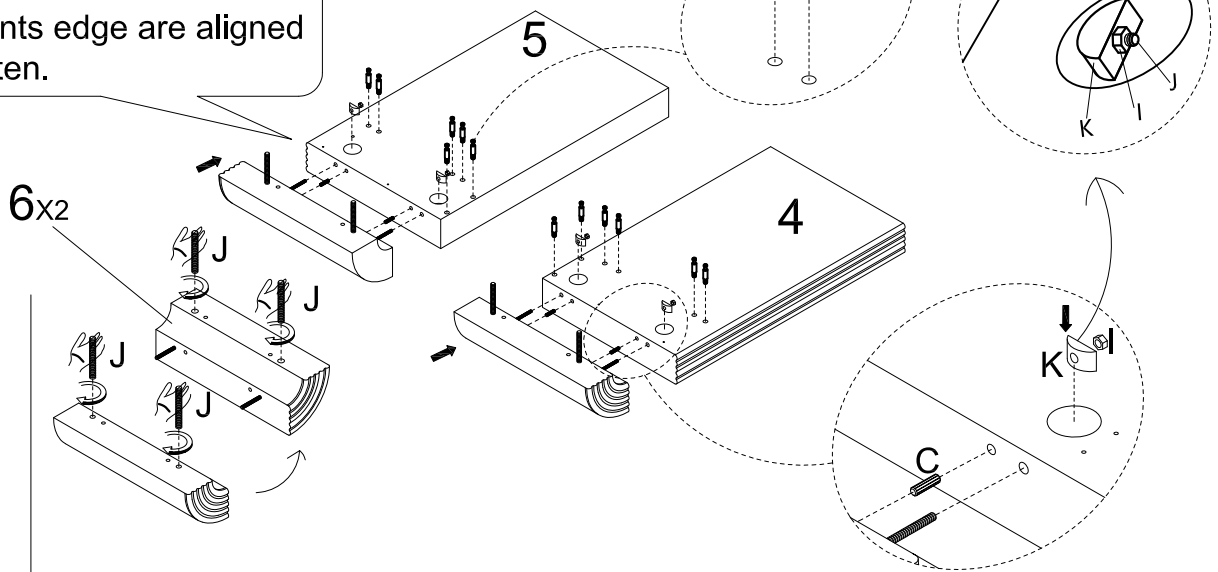
Please check you have all the panels are listed below.

| | |
|------------------------------------|---------|
| 1.Top Panel -----x1 | CTN 1/2 |
| 2.Front Brace -----x1 | CTN 1/2 |
| 3.Back Brace -----x1 | CTN 1/2 |
| 4.Side Panel-Left -----x1 | CTN 2/2 |
| 5.Side Panel-Right -----x1 | CTN 2/2 |
| 6.Corner -----x2 | CTN 2/2 |
| 7.Side Panel-Middle -----x1 | CTN 2/2 |
| 8.Back Panel -----x1 | CTN 1/2 |
| 9.Drawer Panel-Left -----x1 | CTN 2/2 |
| 10.Drawer Panel-Right -----x1 | CTN 2/2 |
| 11.Drawer Side Panel-Left -----x2 | CTN 2/2 |
| 12.Drawer Side Panel-Right -----x2 | CTN 2/2 |
| 13.Drawer Back Panel -----x2 | CTN 2/2 |
| 14.Drawer Bottom Panel -----x2 | CTN 2/2 |
| 15.Drawer Supporting Panel -----x2 | CTN 2/2 |
| 16.Handle -----x2 | CTN 2/2 |



STEP 1

Do not tighten bolts until all screws and components edge are aligned then fully tighten.



No. K
Quantity:4 Pcs



No. B
Quantity:12 Pcs



No. C
Quantity:4 Pcs



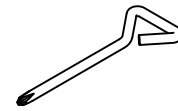
No. I
Quantity:4 Pcs



No. J
Quantity:8 Pcs



No. O
Quantity:1Pc

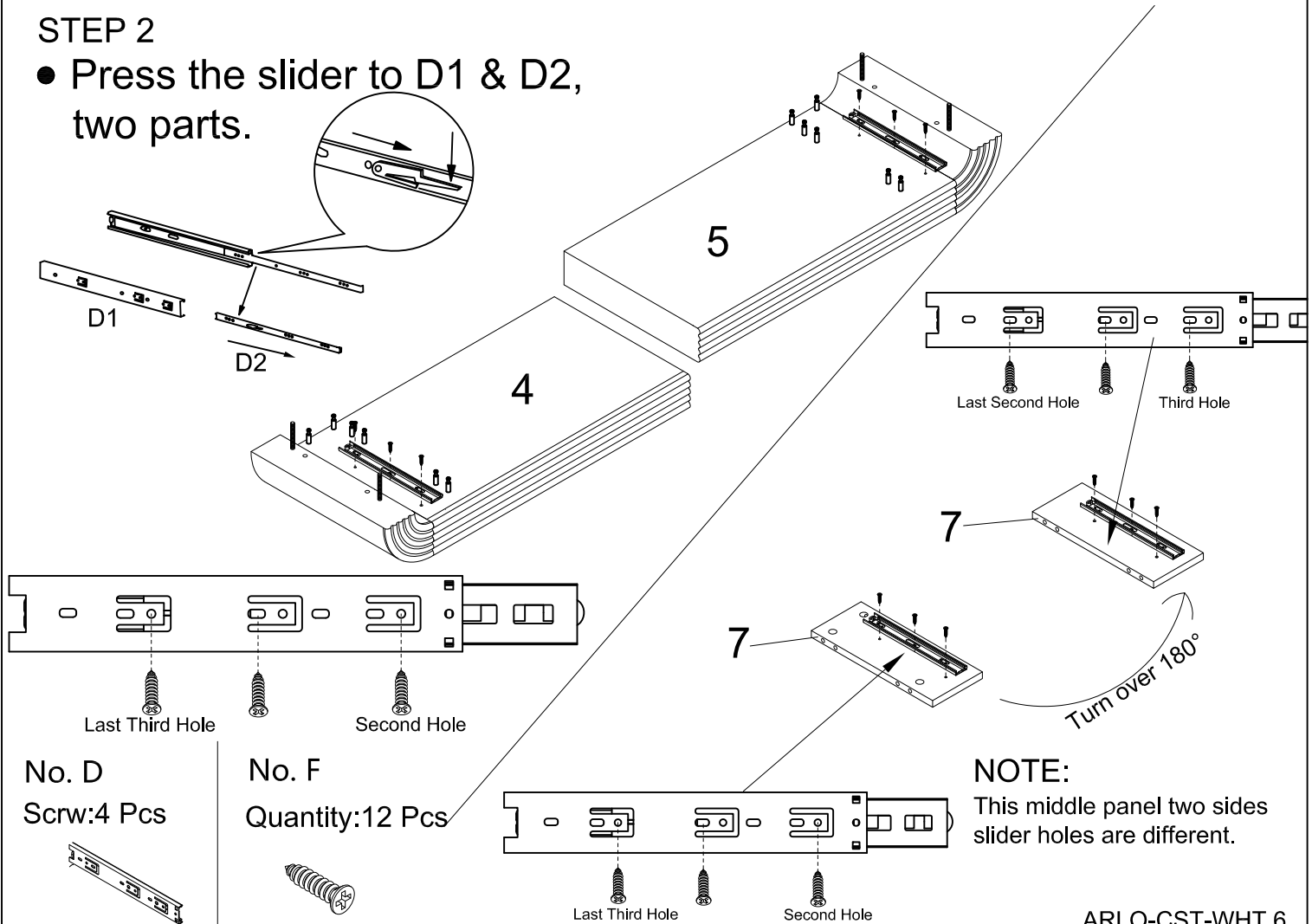


No. P
Quantity:1Pc

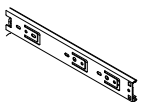


STEP 2

● Press the slider to D1 & D2, two parts.



No. D
Scrw:4 Pcs

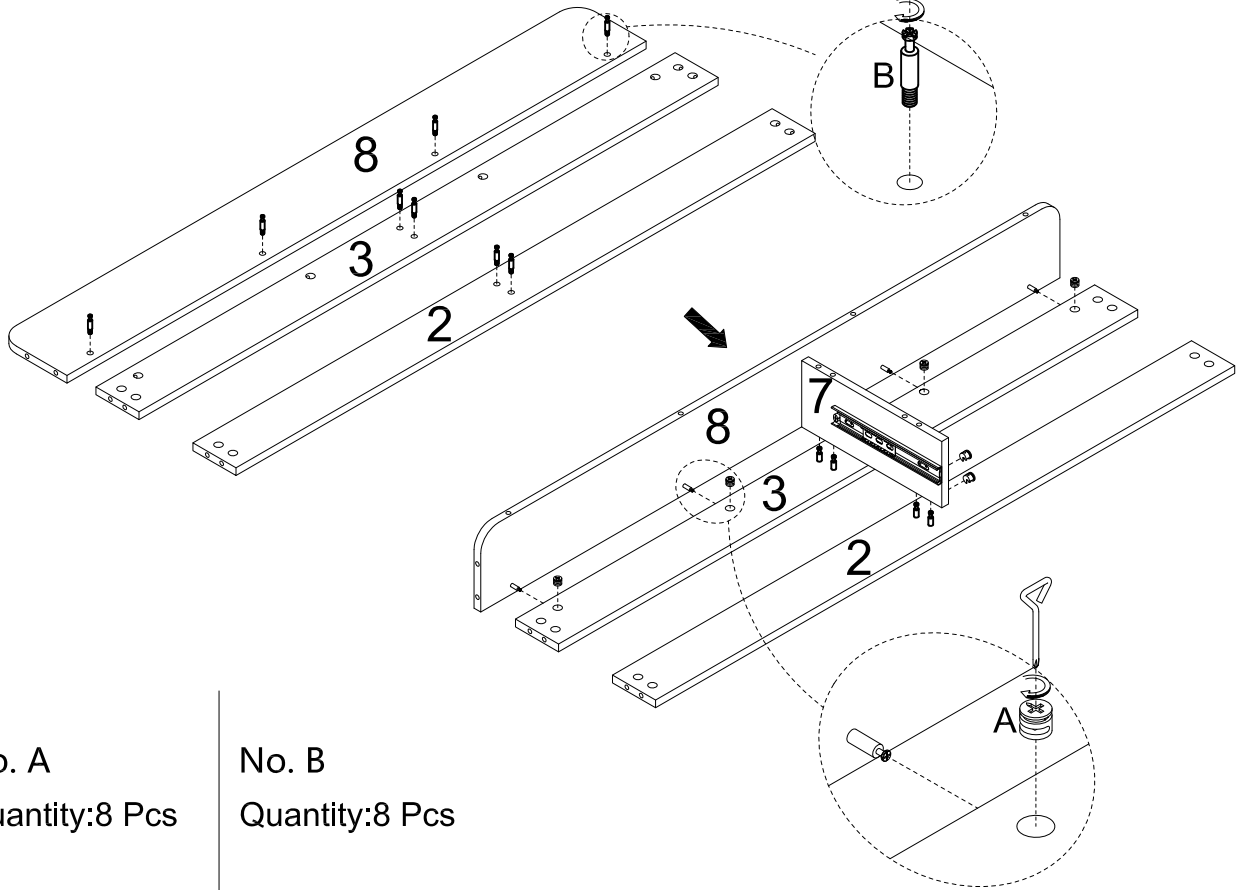


No. F
Quantity:12 Pcs



NOTE:
This middle panel two sides slider holes are different.

STEP 3

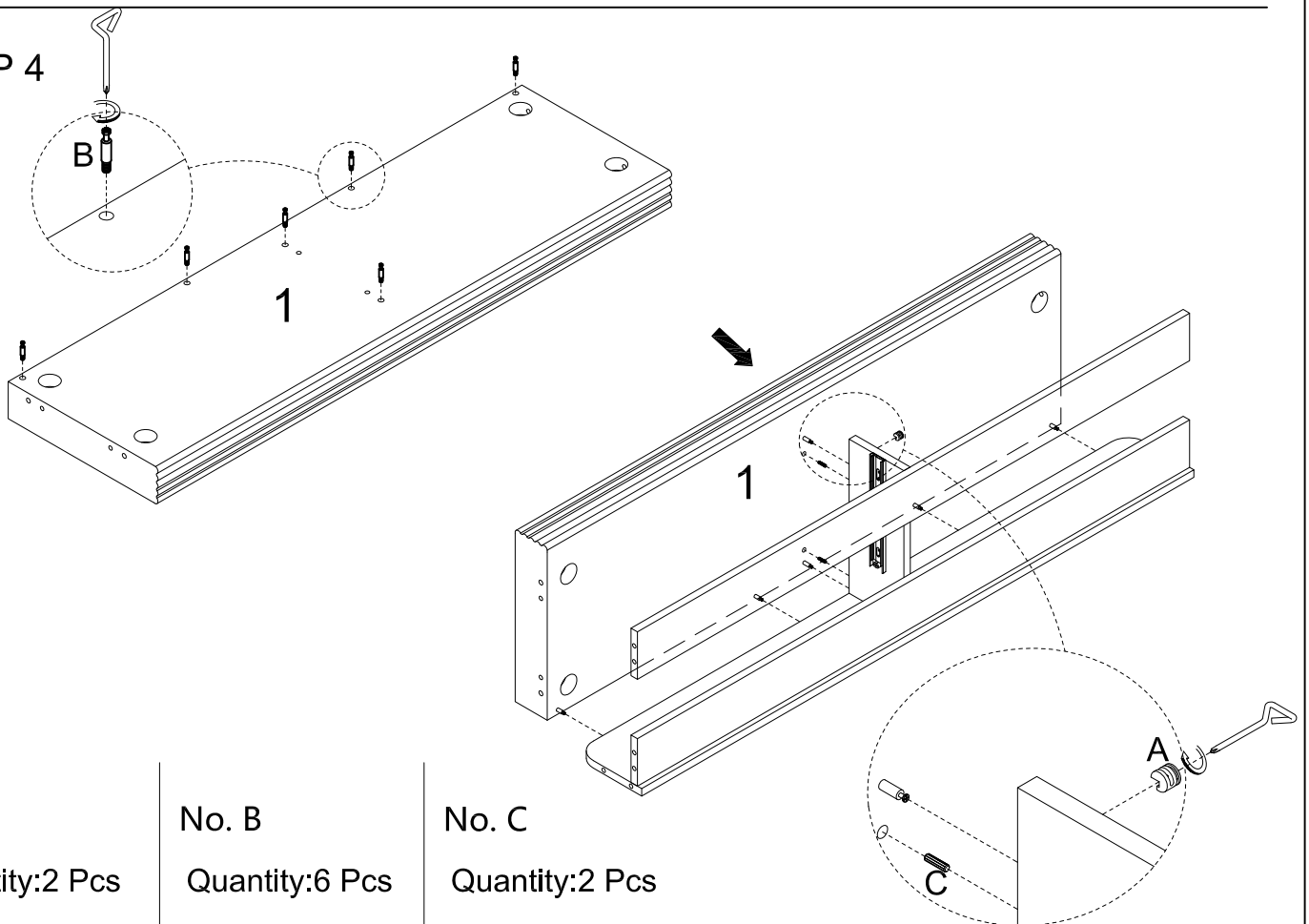


No. A
Quantity:8 Pcs

No. B
Quantity:8 Pcs



STEP 4



No. A
Quantity:2 Pcs

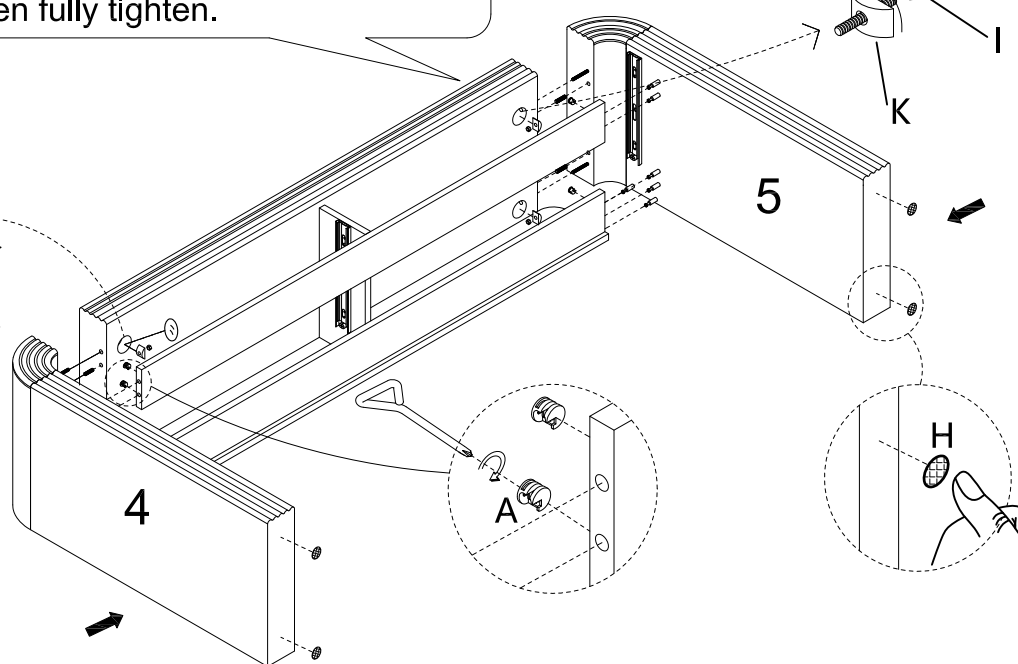
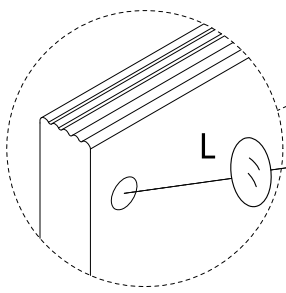
No. B
Quantity:6 Pcs

No. C
Quantity:2 Pcs



STEP 5

Do not tighten bolts until all screws and components edge are aligned then fully tighten.



No. L
Quantity:8 Pcs



No. A
Quantity:8 Pcs



No. C
Quantity:4 Pcs



No. H
Quantity:4 Pcs



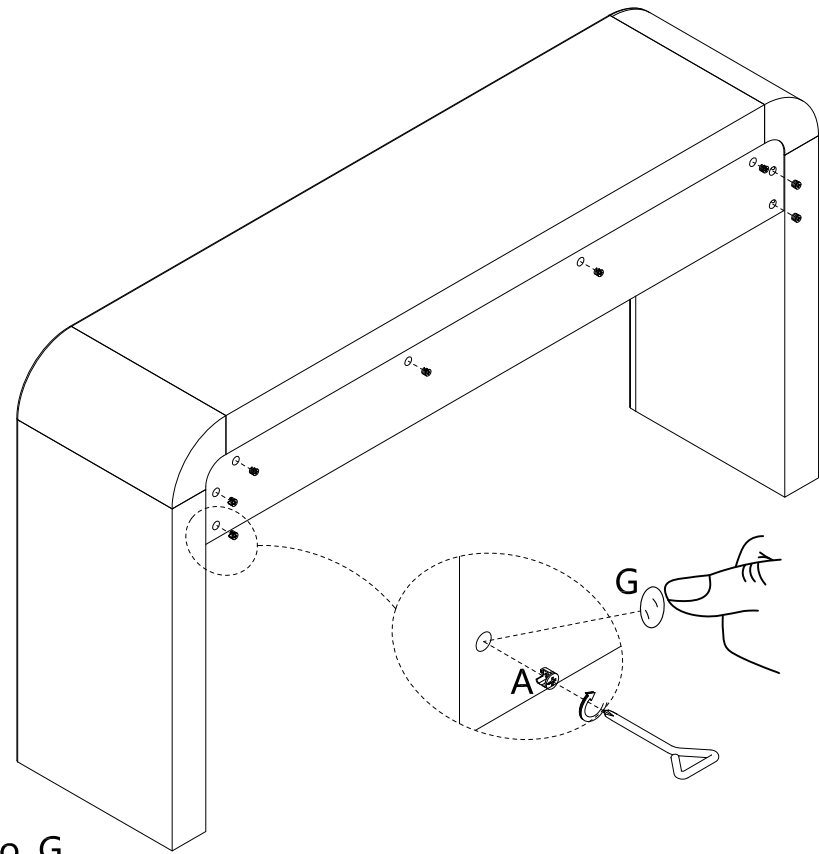
No. I
Quantity:4 Pcs



No. K
Quantity:4 Pcs



STEP 6



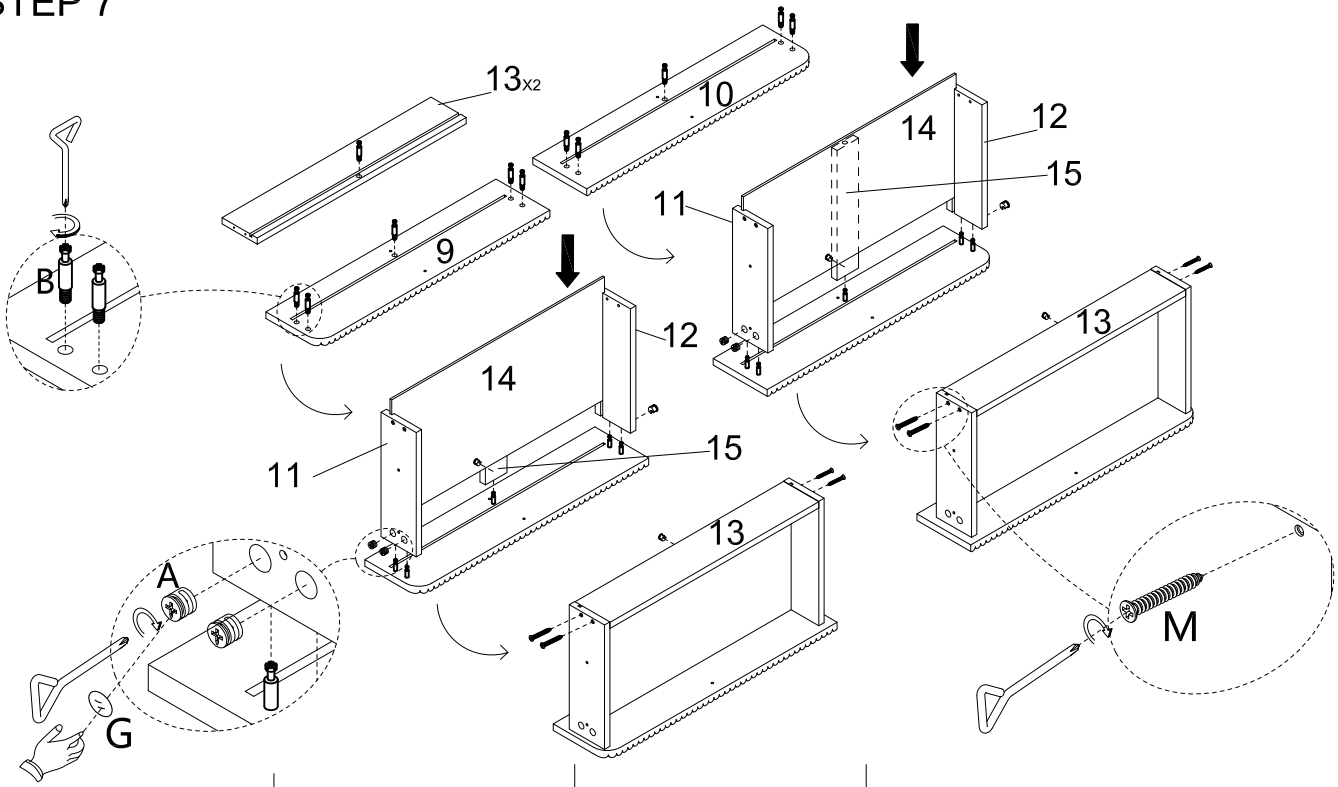
No. A
Quantity:8 Pcs



No. G
Quantity:26 Pcs



STEP 7



No. A
Quantity:12 Pcs



No. B
Quantity:12 Pcs



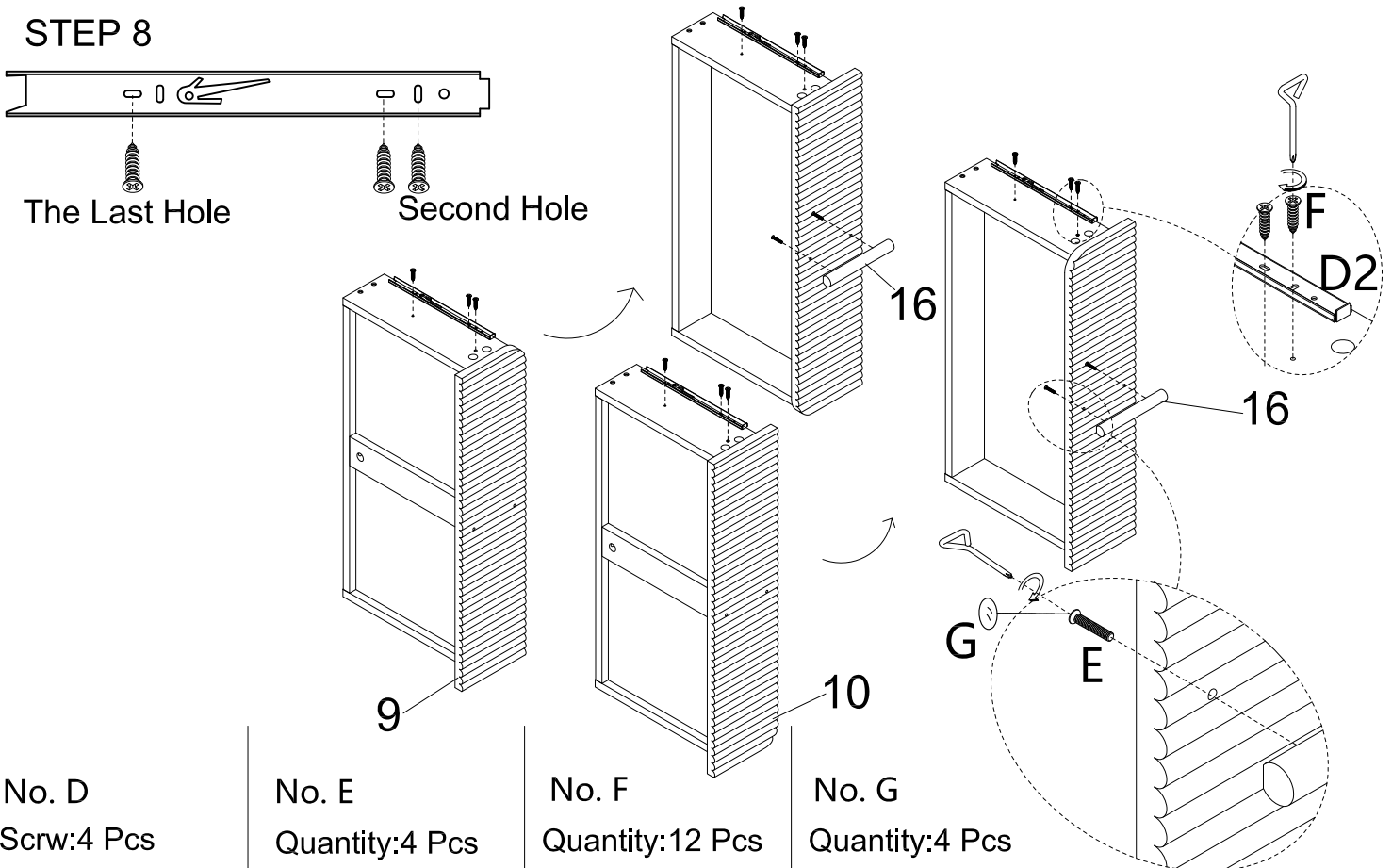
No. G
Quantity:12 Pcs



No. M
Quantity:8 Pcs



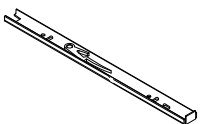
STEP 8



The Last Hole

Second Hole

No. D
Scrw:4 Pcs



No. E
Quantity:4 Pcs



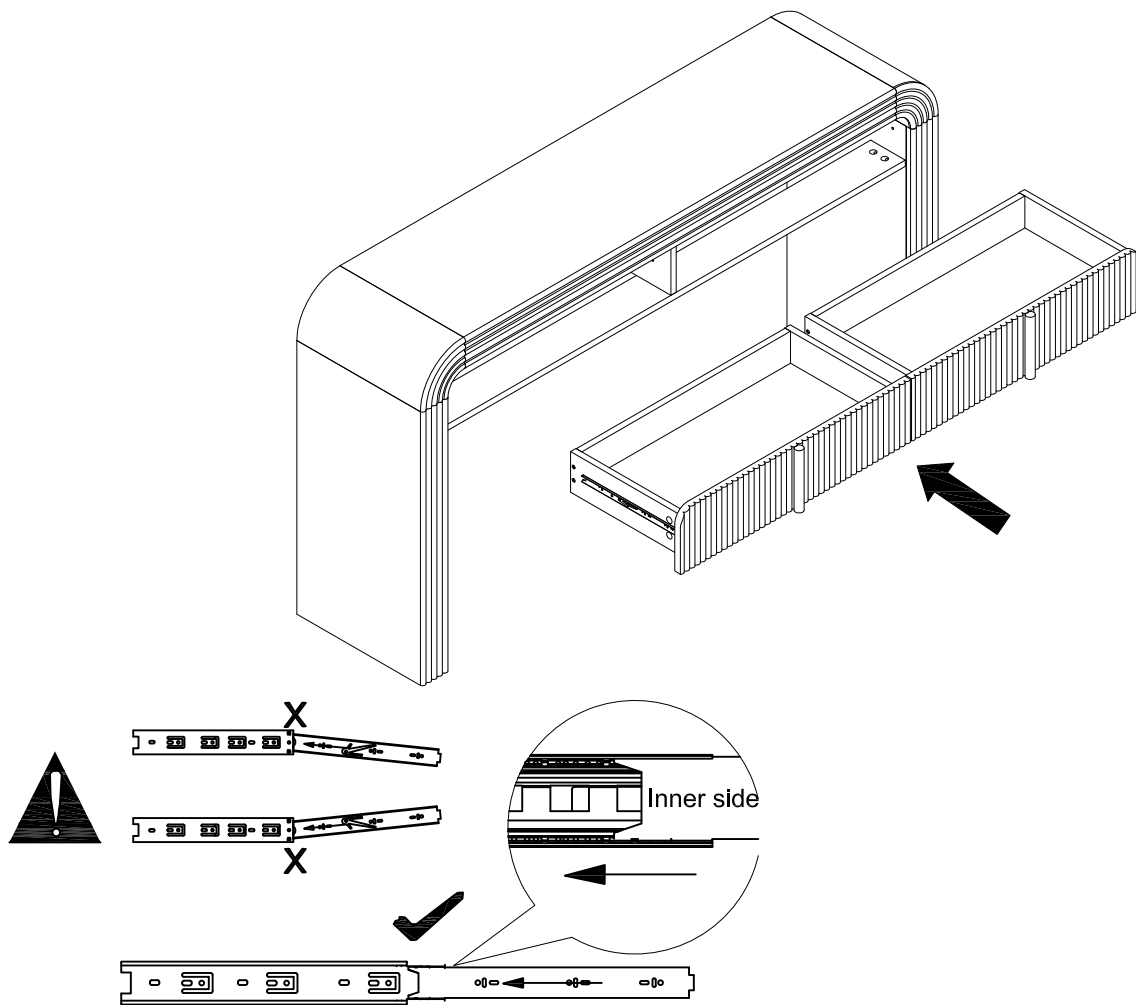
No. F
Quantity:12 Pcs



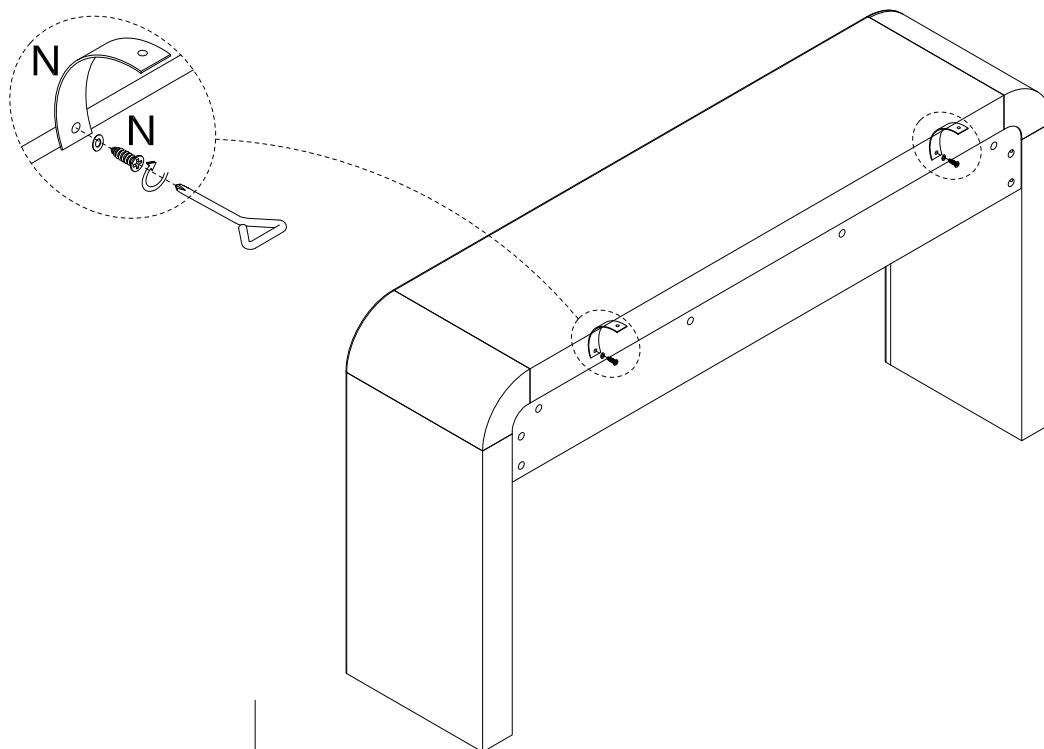
No. G
Quantity:4 Pcs



STEP 9



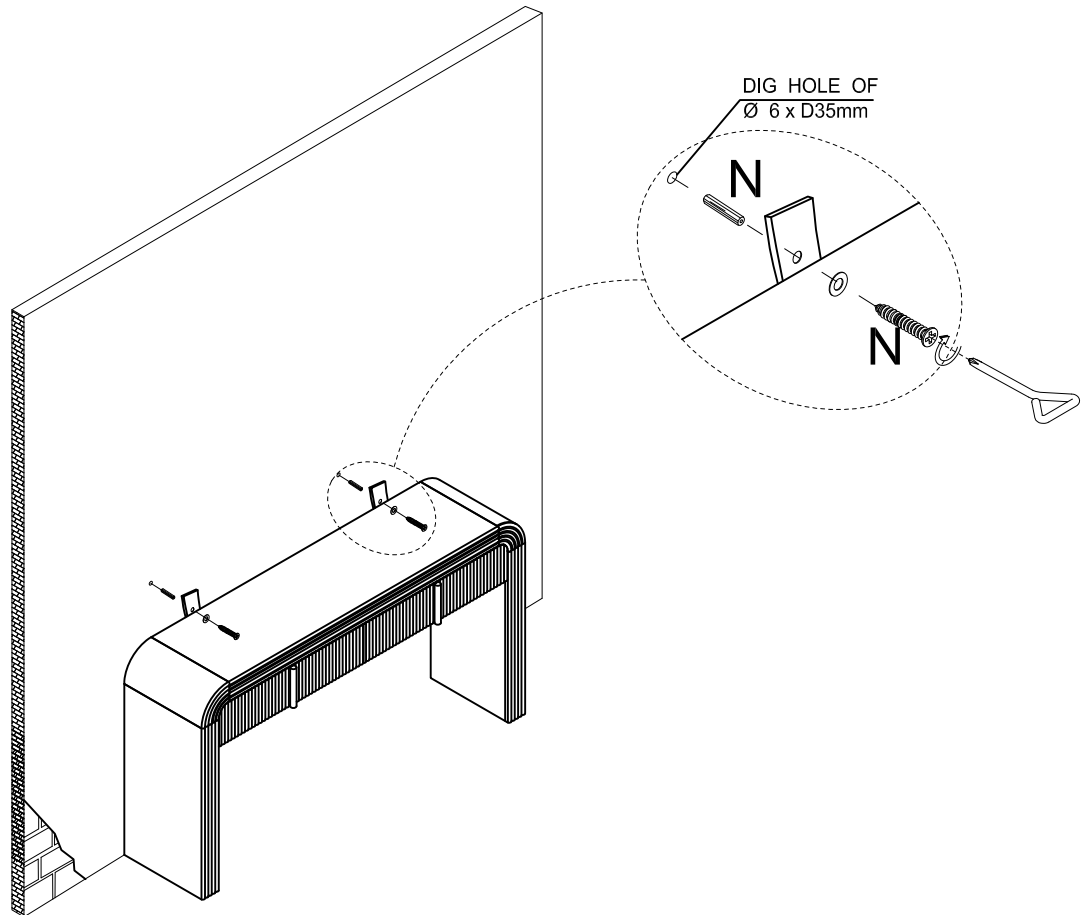
STEP 10



No. N
Quantity: 2 Pcs



STEP 11



TOPPLING FURNITURE WARNING:

- **It is strongly recommended that this product is permanently fixed to the wall.**
- **Please seek professional advice if you are in doubt of what fixing device to use.**
- **Regularly check that anchors are securely maintained.**
- **Stability of tall items may be affected by thick pile carpet or uneven floors .**
- **Do not place unanchored televisions on furniture .**

CAUTION: for your safety when attaching the anchor fixings, please note the following:

- **Check any electrical wires or plumbing inside the wall before drilling any holes (if you are unsure please seek professional advice from a qualified tradesperson).**

No. N
Quantity:2 Pcs



WARNING: PLEASE SECURE YOUR FURNITURE WITH THE SUPPLIED WALL FIXING. SCAN THE CODE FOR MORE INFORMATION.



lifely.com.au

Great job. You're done!

Don't forget to share how it looks in
your space and tag us on Instagram.

@lifelyhome #homewithlifely!