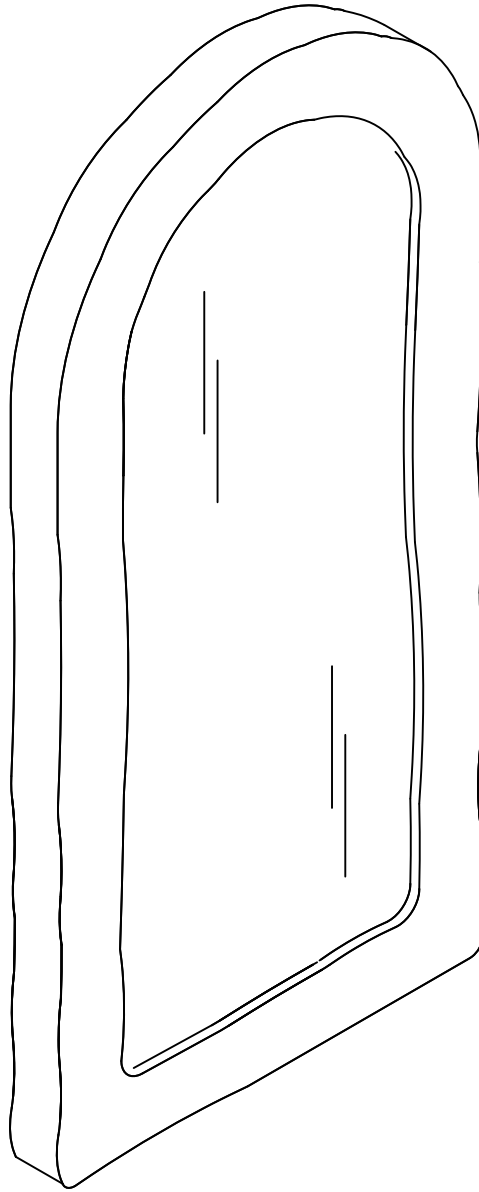


# Assembly Instructions

## Arch Series



# Lifely\*

Product Code

ARH-MR80-WHT Arch Mirror

Dimensions(W x D x H)

800\*65\*1650mm

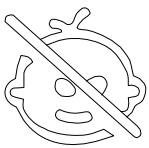
---

### Important

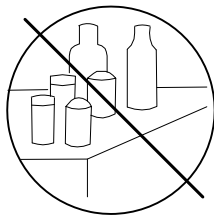
Please read through instruction carefully  
Before assembly and keep for future reference.

For our full catalogue of assembly instructions,  
Visit: [lifely.com.au/assembly](http://lifely.com.au/assembly).

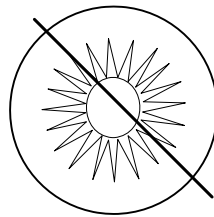
## Important Tips and Maintenance



1. Keep children and animals away from working area as smaller parts may cause choking if swallowed.



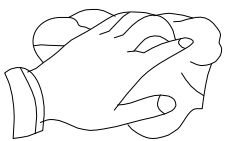
2. Never place liquids or anything damp upon furniture as it will mark. Ensure a coaster or running is beneath.



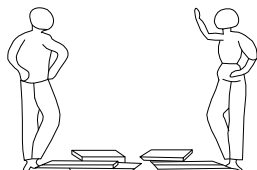
3. Never use ammonia based cleaning products as it will damage the finish.



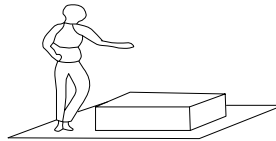
4. To avoid fading, keep furniture out of direct sunlight.



5. Use a soft or damp cloth (dry cloth) when wiping or cleaning surfaces.



6. Two person are required.



7. Lay a soft matt down to protect the furniture piece before and during assembly.

So your relationship is strong. But is it flat-pack furniture strong? Unless you're an aerospace engineer, assembling furniture can be slightly stressful. We recommend meditating quietly, pouring yourself a herbal tea (or slightly less herbal wine) and tackling things one step at a time. If you feel a passive aggressive remark coming on, try a compliment instead. E.g. "You're so good looking."

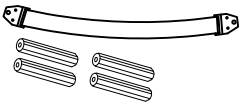
This 3-step assembly should take around 20 minutes.

Designed for everyday

## Component Hardware

Please check you have all the fittings  
part or tools are listed in below.

No. A  
Quantity:1 Set  
Anti - dumping  
L=250mm



No. B  
Quantity:2 Sets  
Screw  
 $\phi 4 \times 16\text{mm}$



No. C  
Quantity:4 Sets  
Screw  
 $\phi 4 \times 25\text{mm}$



No. D  
Quantity:2 Pcs  
Angle iron



No. E  
Quantity:1 Pc  
Key  
5mm



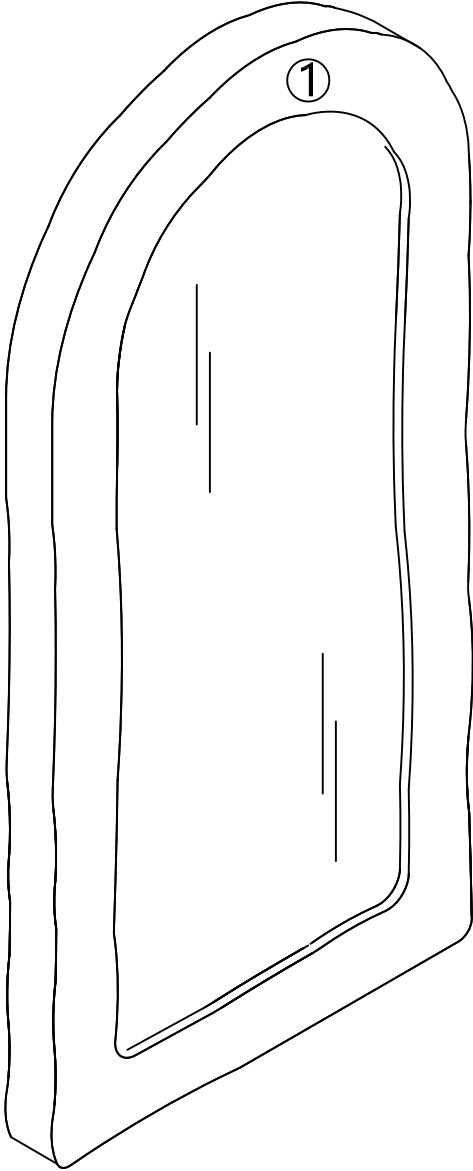
No. F  
Quantity:1 Pair  
Gloves



# Component Panels & Part List

Please check you have all the panels  
are listed below.

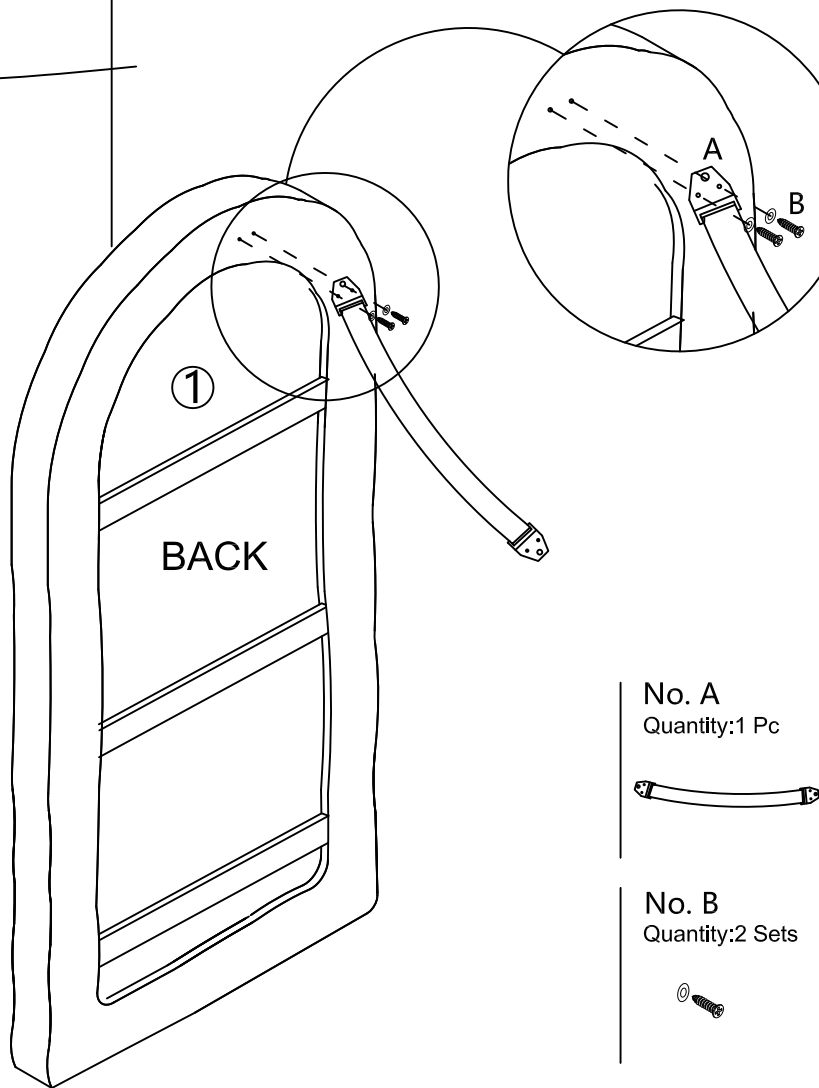
- 1. Mirror - - - - - x1



# OPTION 1:

## STEP 1

WALL



No. A  
Quantity:1 Pc

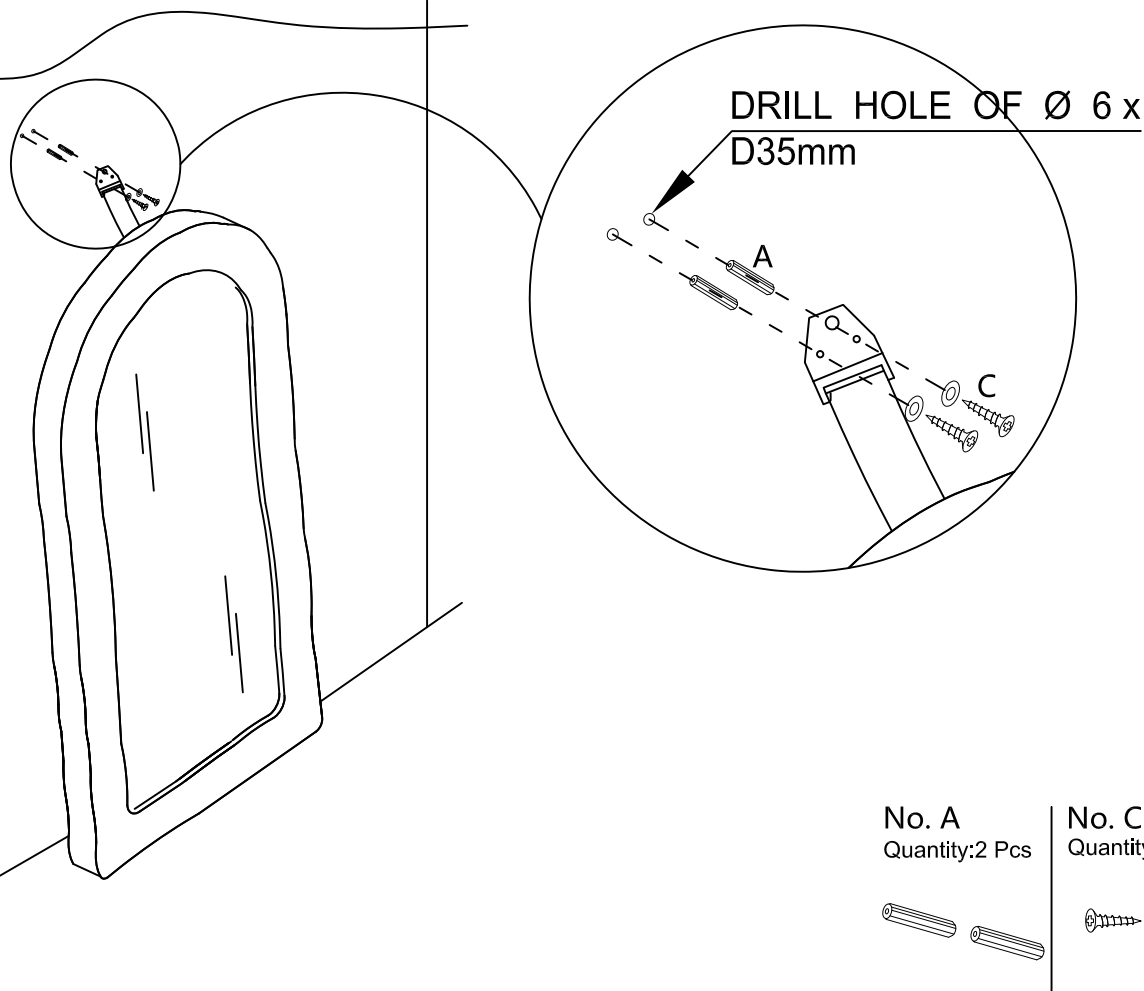


No. B  
Quantity:2 Sets



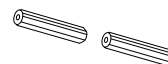
## STEP 2

WALL



DRILL HOLE OF  $\varnothing 6 \times$   
D35mm

No. A  
Quantity:2 Pcs



No. C  
Quantity:2 Sets



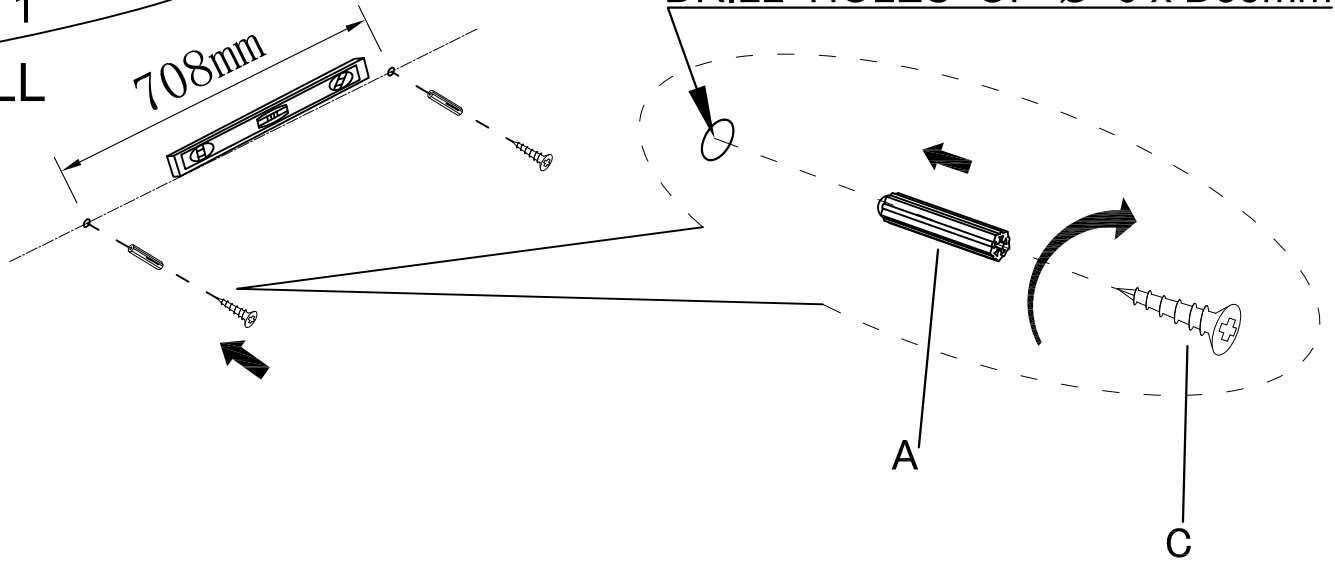
# OPTION 2:

## STEP 1

WALL

708mm

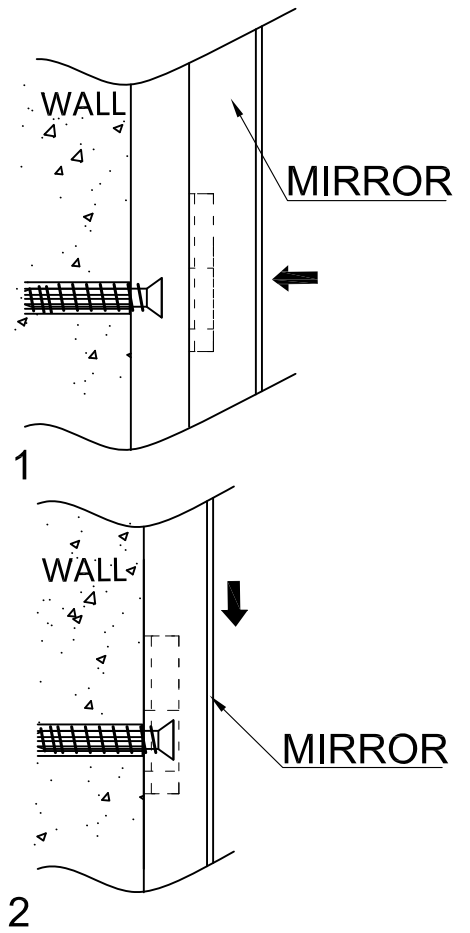
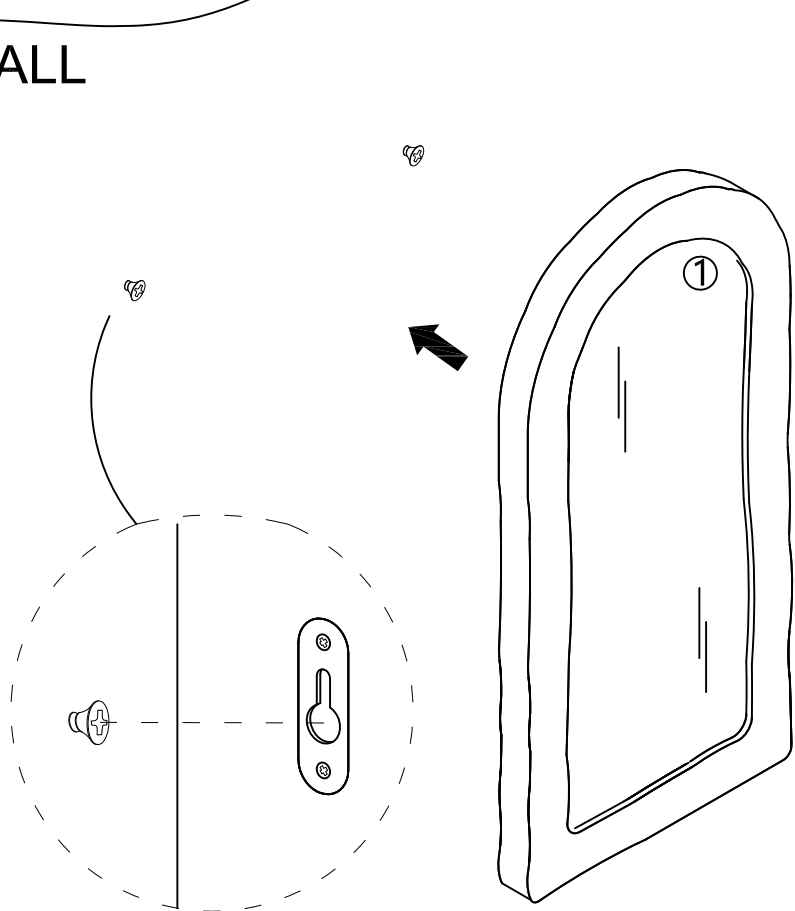
DRILL HOLES OF  $\varnothing 6 \times D35\text{mm}$



No. A Quantity: 2 Pcs	No. C Quantity: 2 Pcs

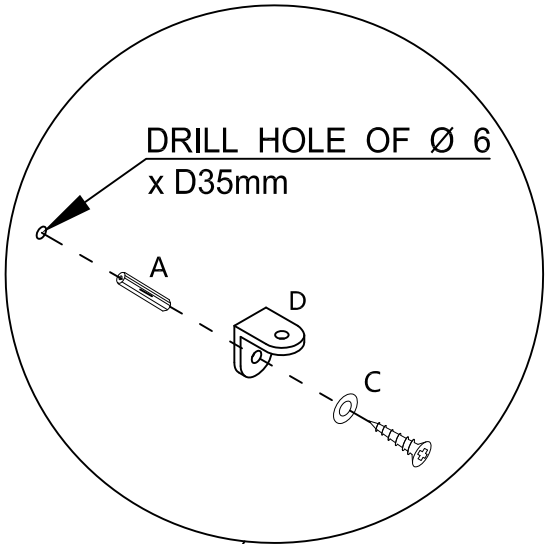
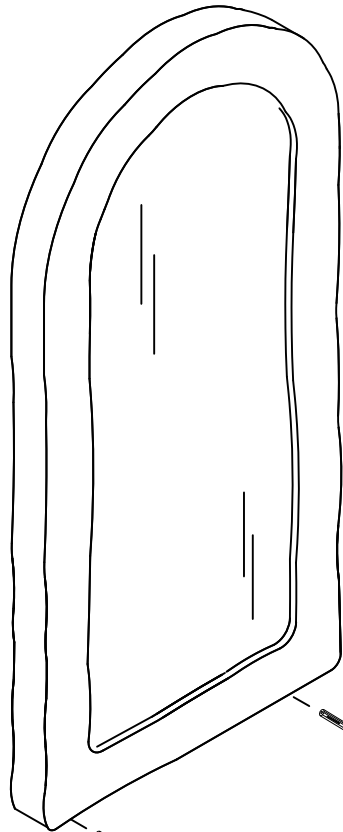
## STEP 2

WALL



# STEP 3

## WALL



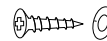
**No. A**

Quantity:2 Pcs



**No. C**

Quantity:2 Sets



**No. D**

Quantity:2 Pcs





[lifely.com.au](https://lifely.com.au)

Great job. You're done!

Don't forget to share how it looks in  
your space and tag us on Instagram.

@lifelyhome #homewithlifely!