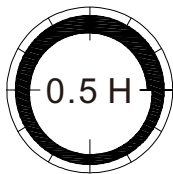
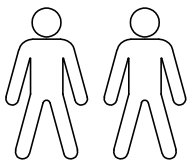
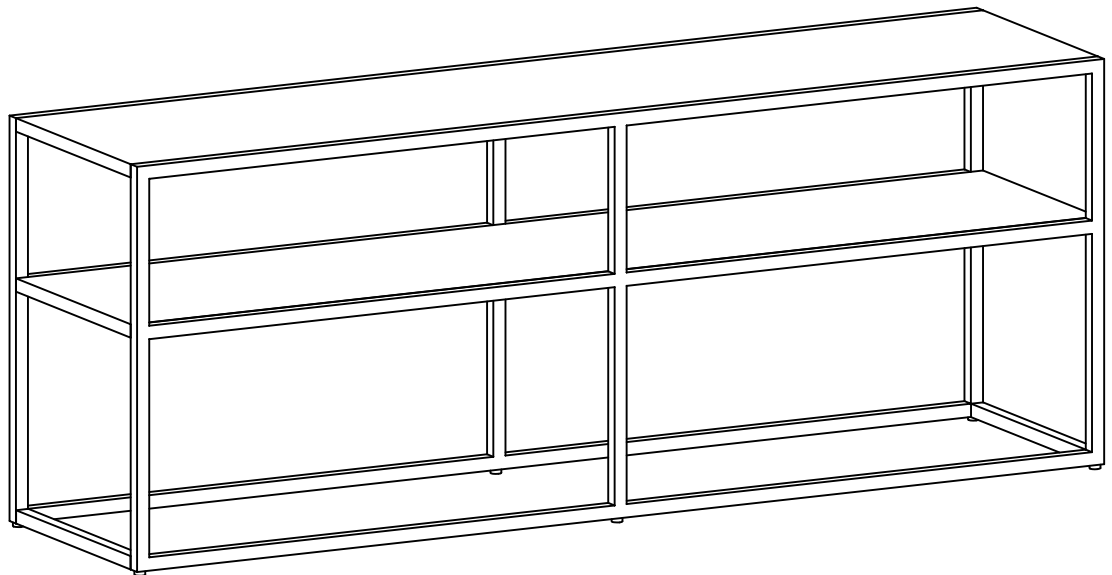
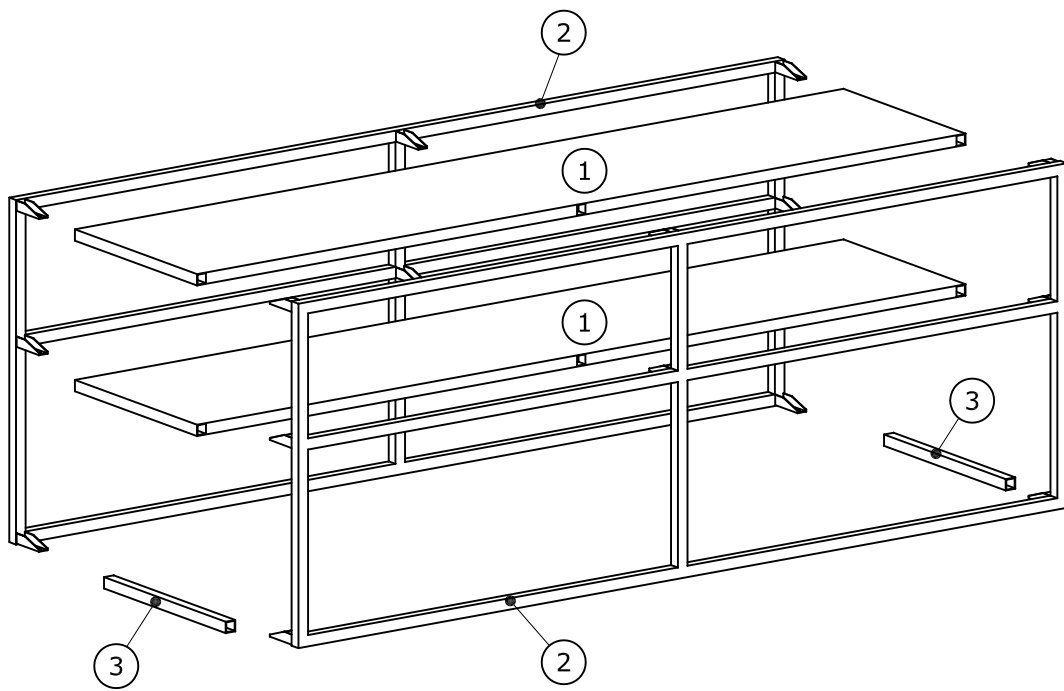


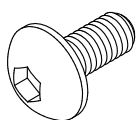
# NEWTON - TV UNIT



			✓
①	2	1200 x 270 x 15	
②	2	1200 x 455 x 60	
③	2	269 x 15 x 15	

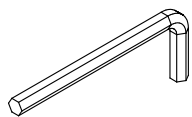


A x 16



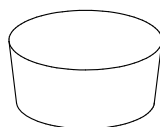
M6x12 mm

B x 1



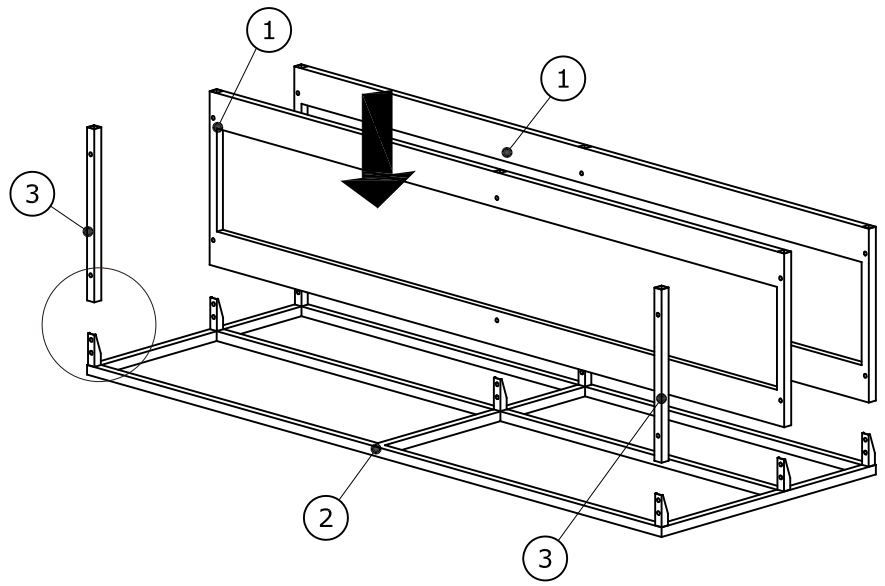
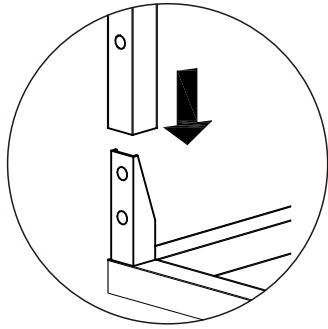
4 mm

C x 6

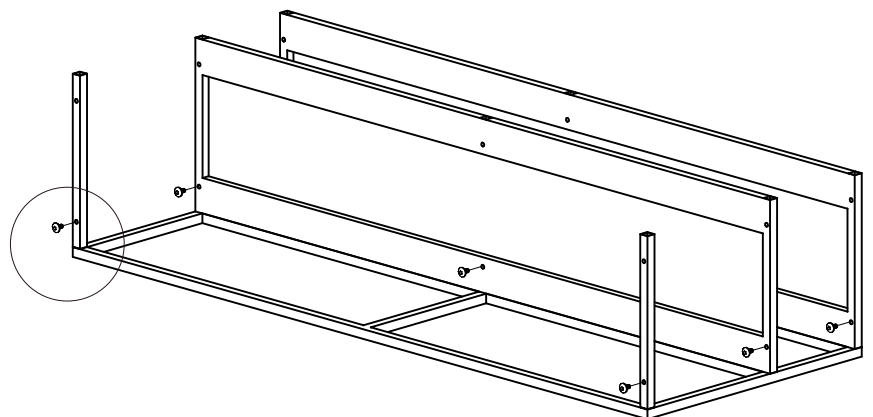
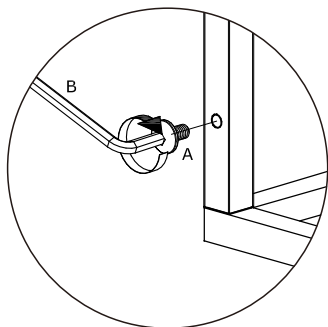
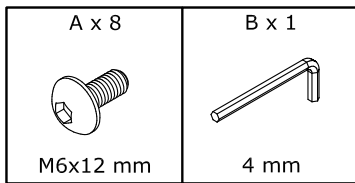


Ø12x5 mm

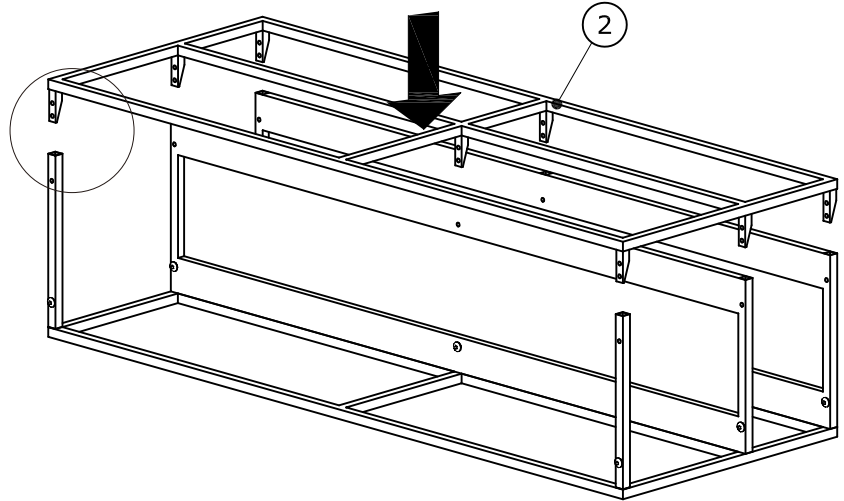
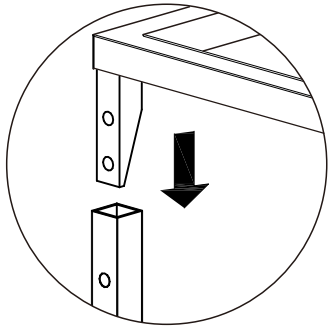
# 1



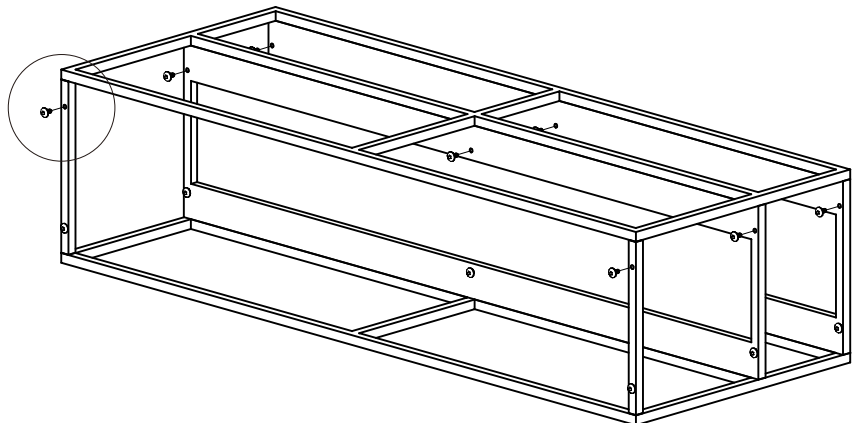
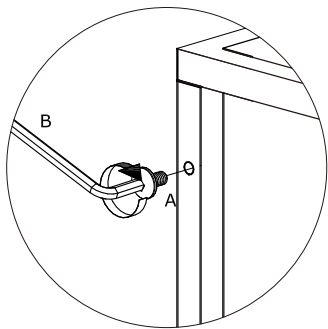
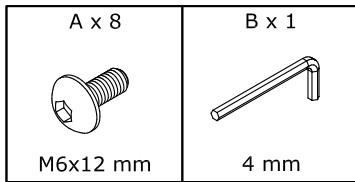
# 2



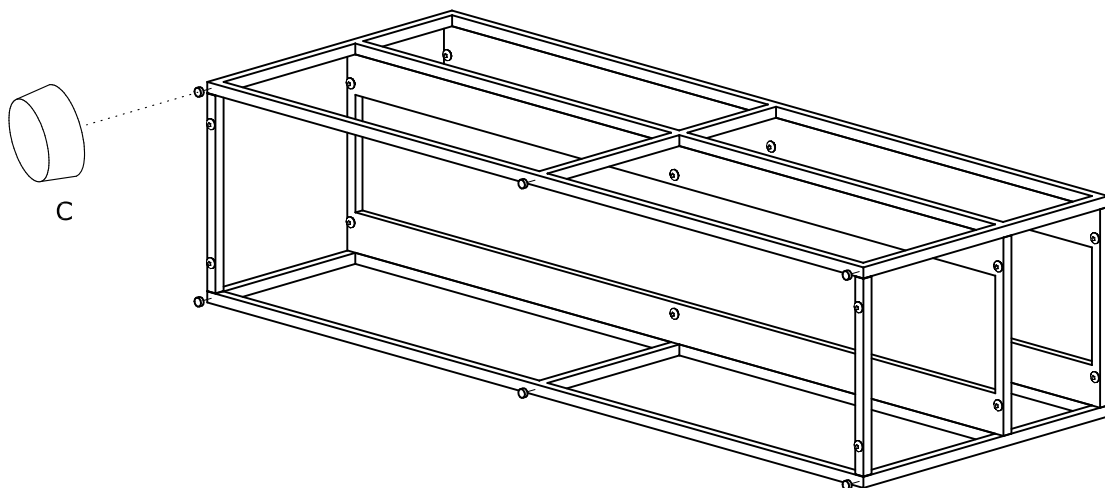
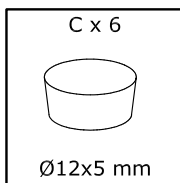
# 3



# 4



# 5



# 6

