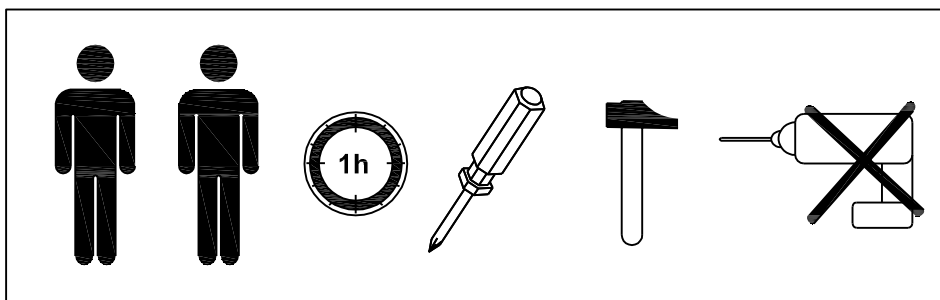
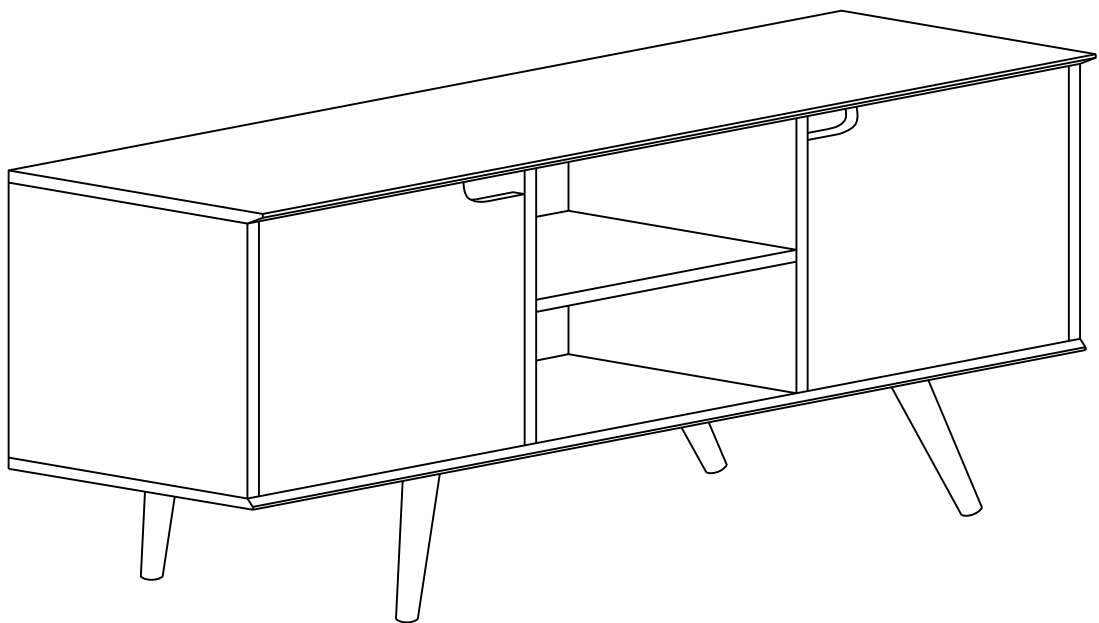
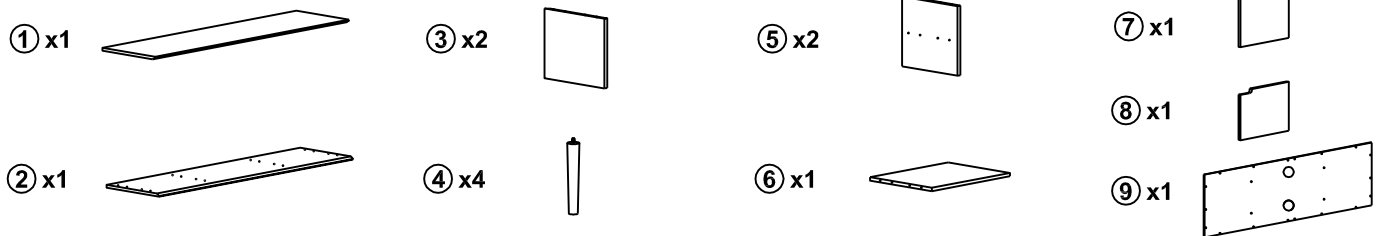
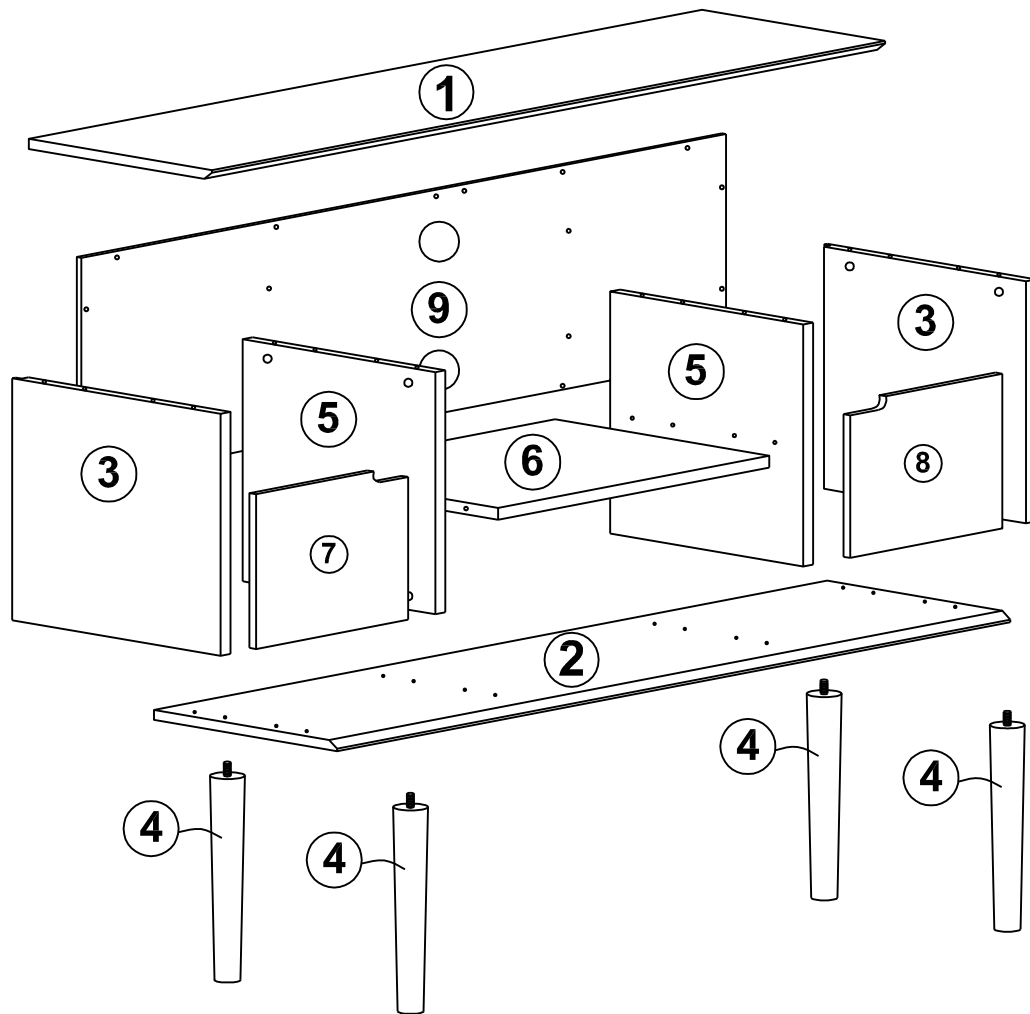
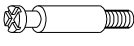


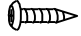




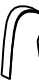

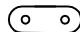

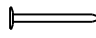



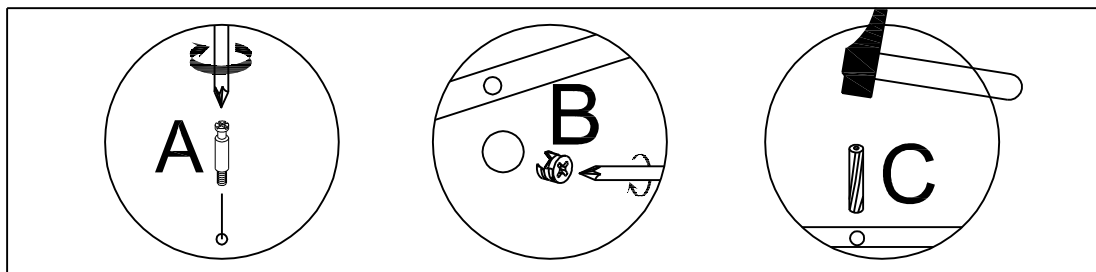


Mitra

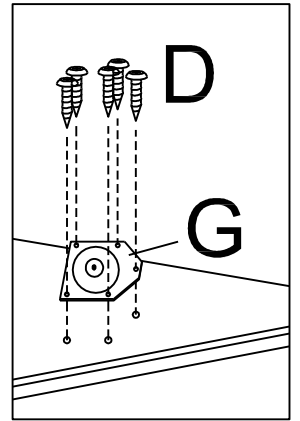
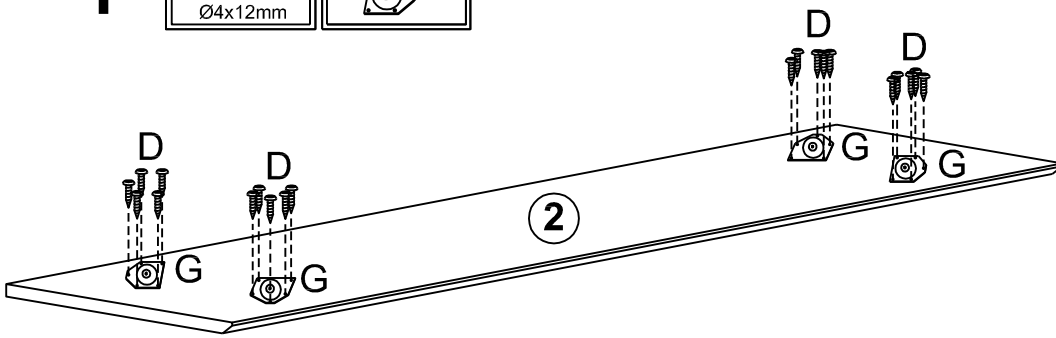
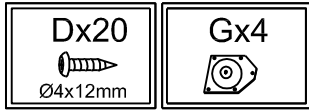




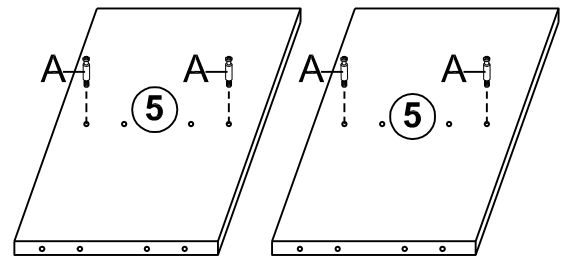
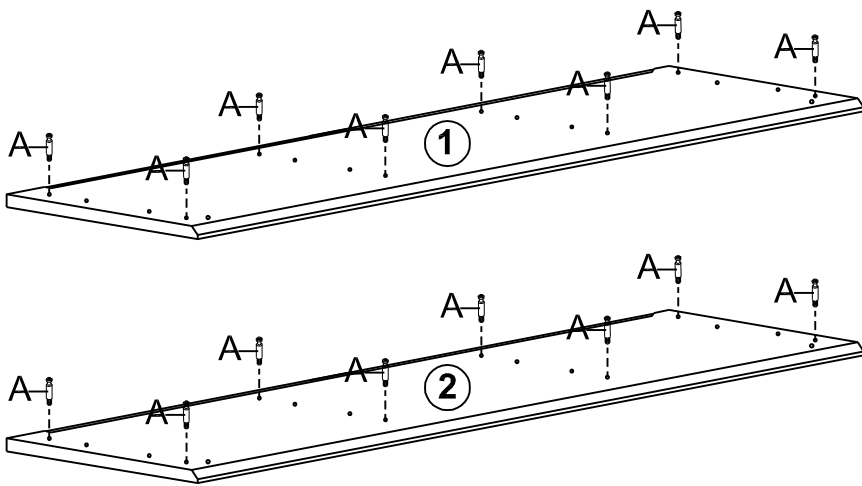
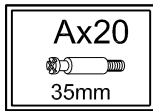
Ax20	Bx20	Cx20	Dx20	Ex12	Fx4	Gx4	Hx1
							
35mm	Ø15x10mm	Ø6x30mm	Ø4x12mm	Ø2.5x8mm	Ø2.5x12mm		Ø3x16mm
Ix1	Jx2	Kx2	Lx4	Mx20	Nx2	Ox16	Px4
							
170mm				Ø1x16mm			



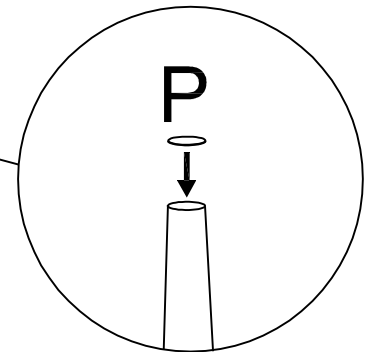
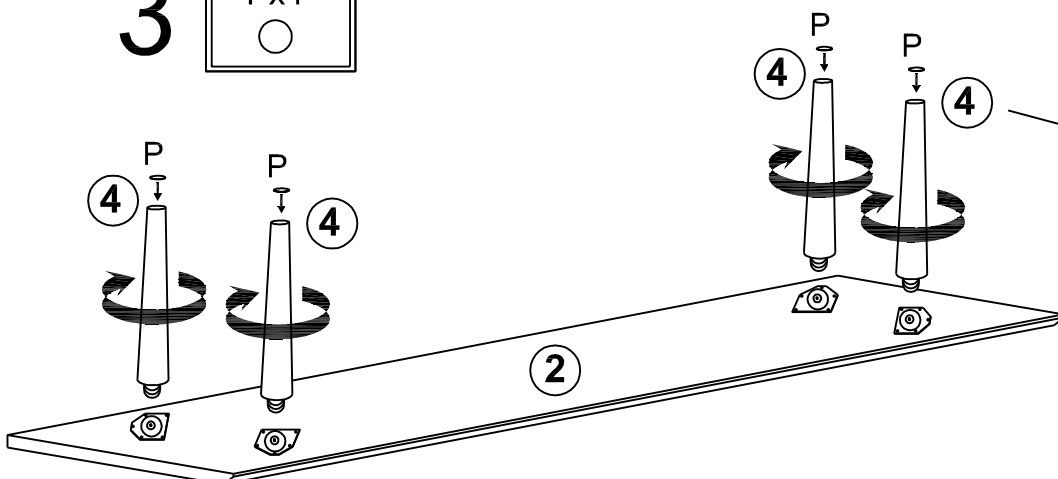
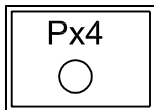
1



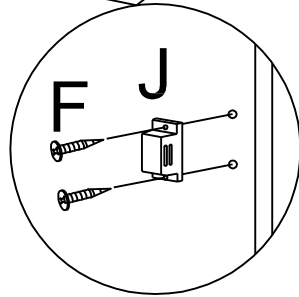
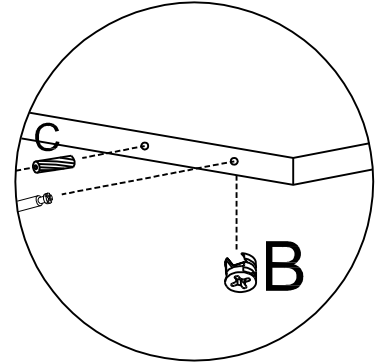
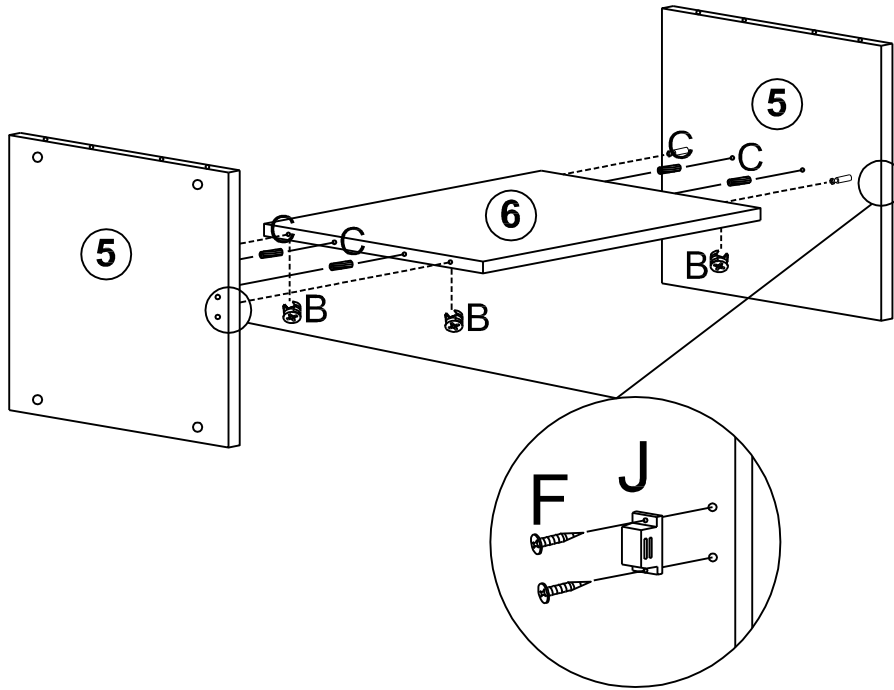
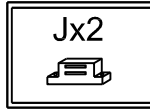
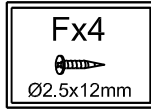
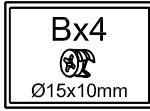
2



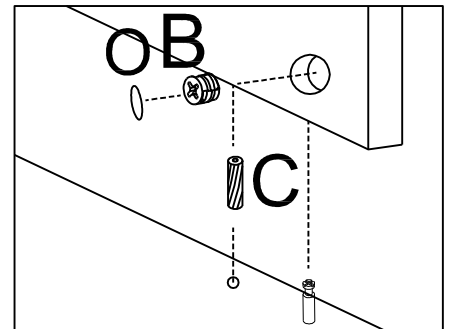
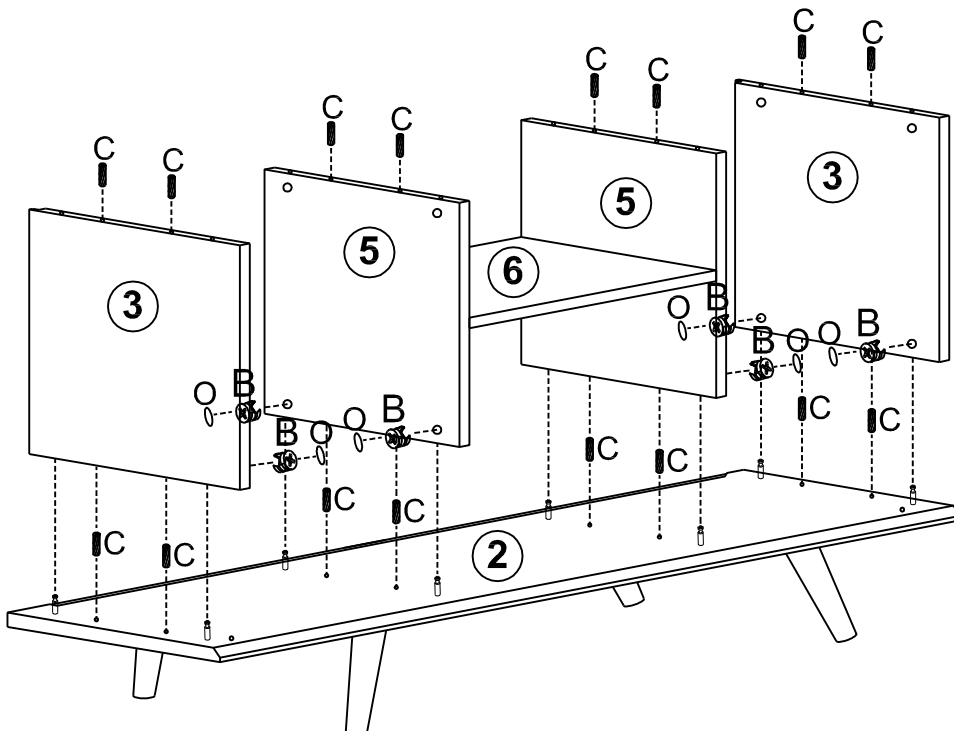
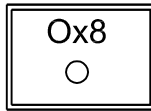
3



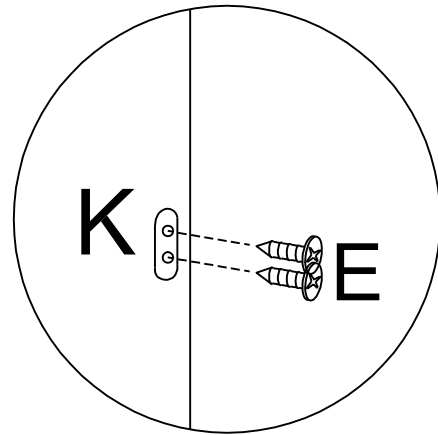
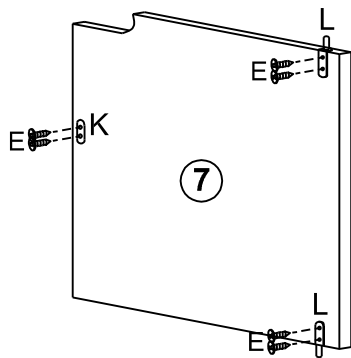
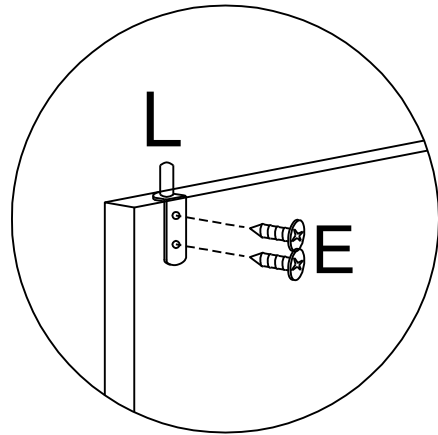
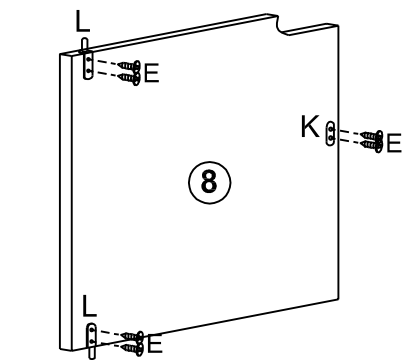
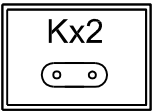
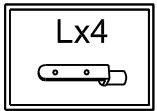
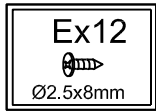
4



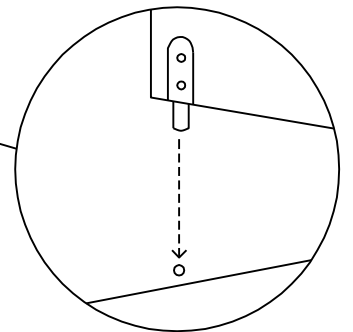
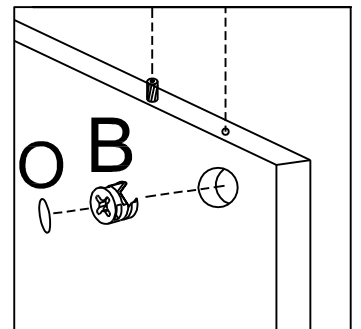
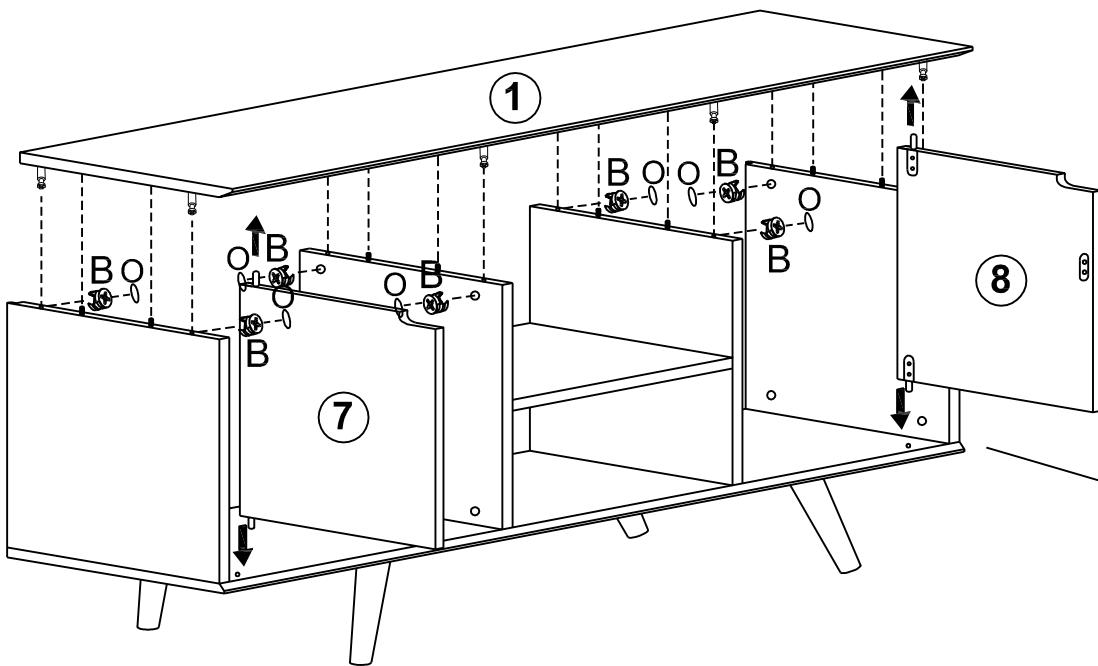
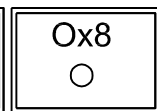
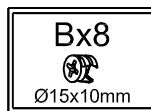
5



6



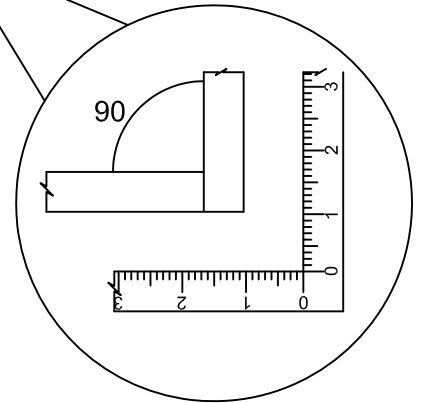
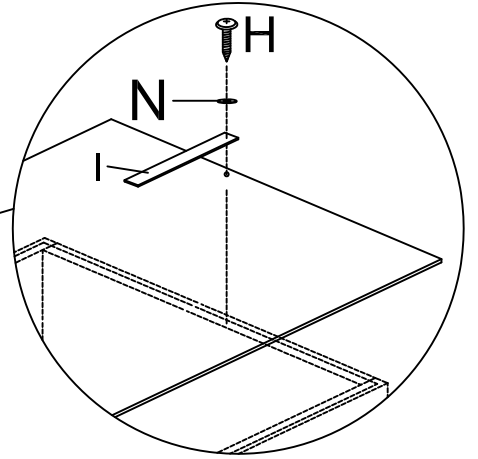
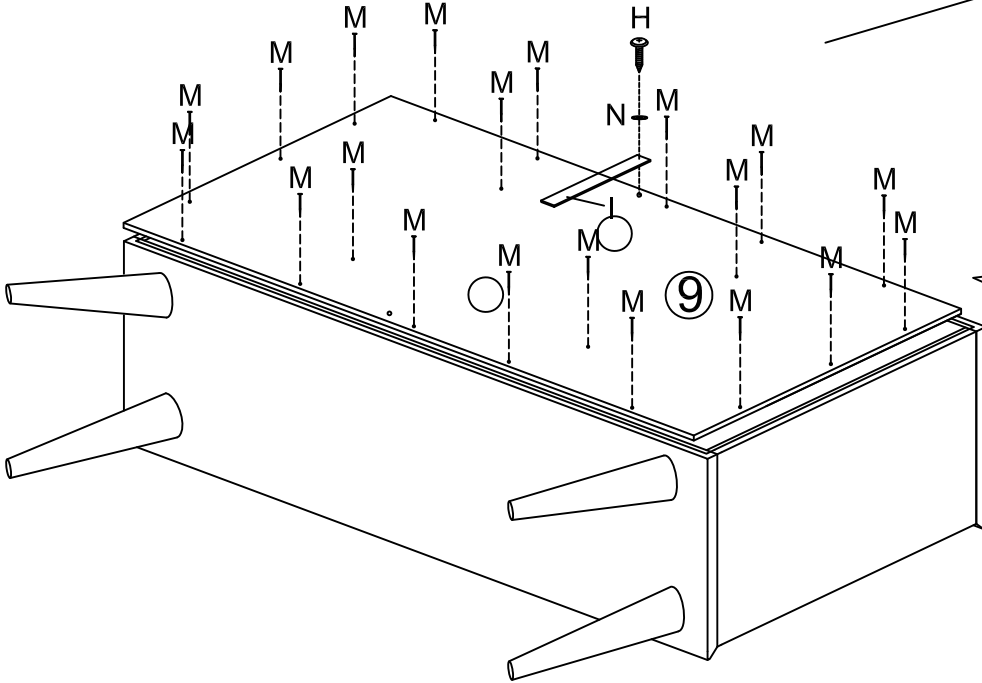
7



5

8

Mx20 — Ø1x16mm	Hx1 — Ø3x16mm	Ix1 — 170mm	Nx1 ⊙
----------------------	---------------------	-------------------	----------



9

Nx1 ⊙

