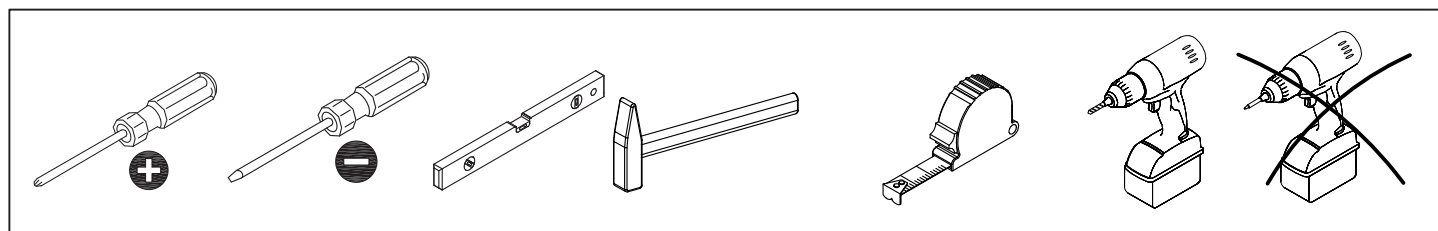
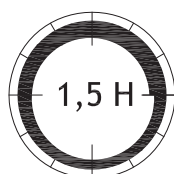
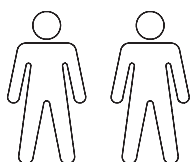
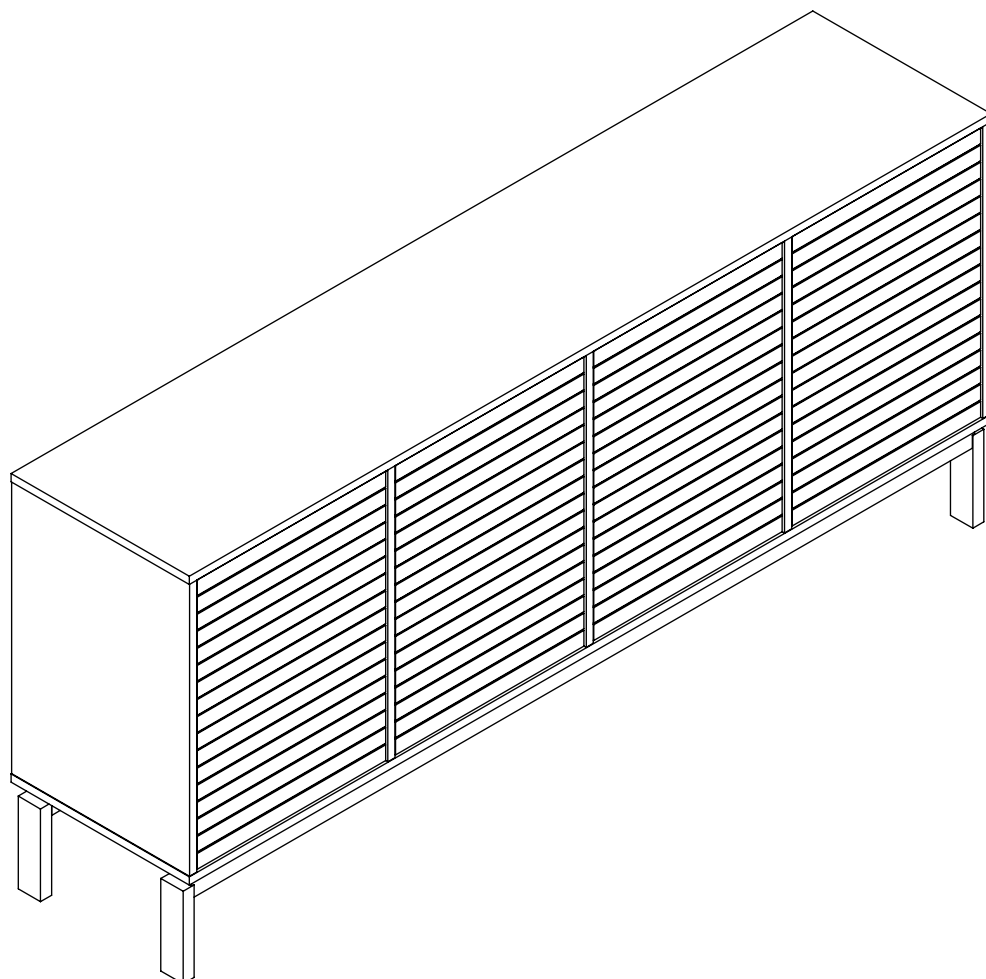
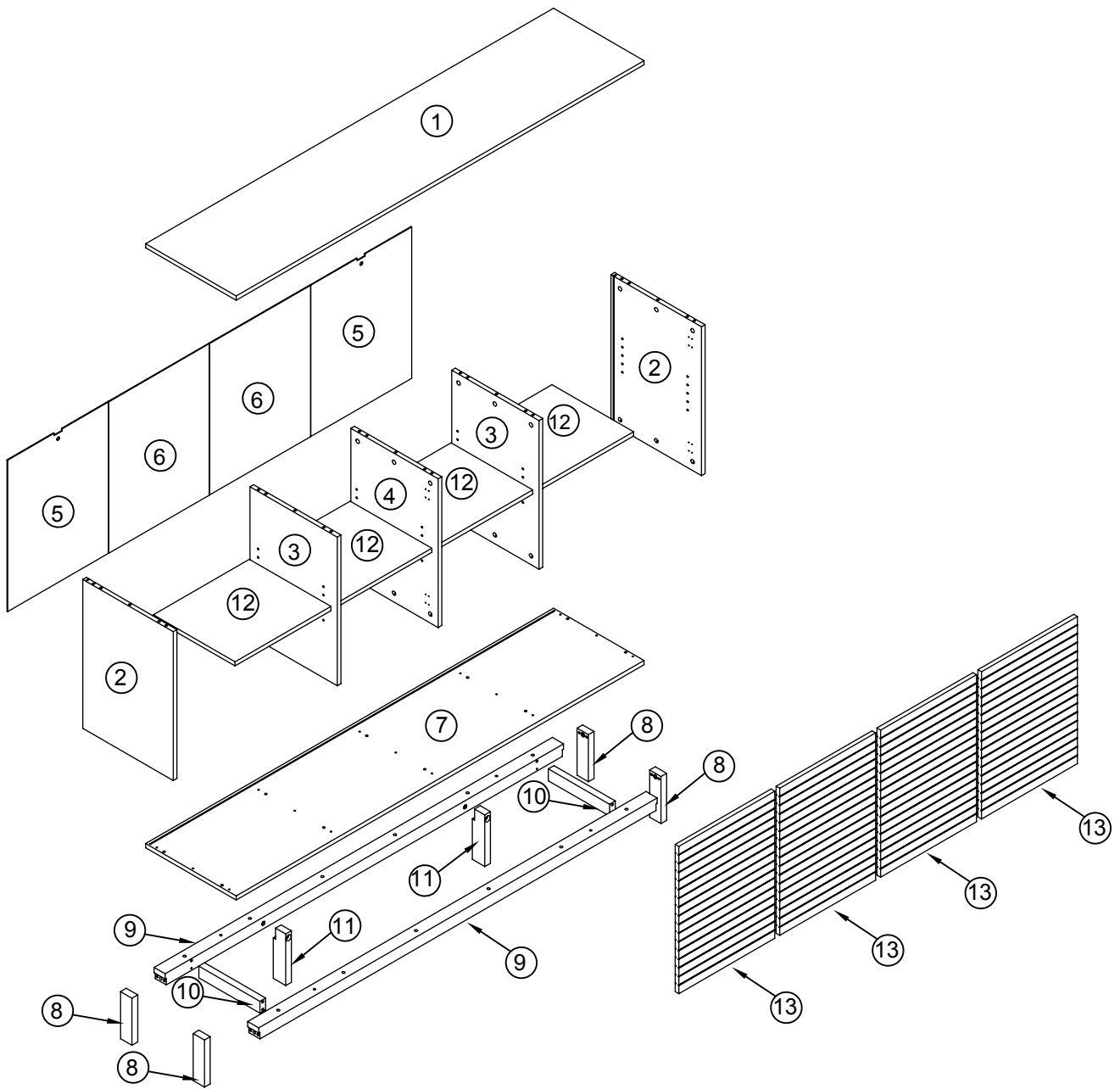


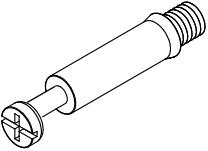
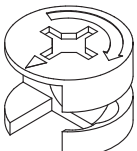
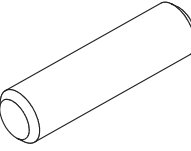
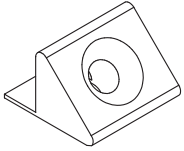
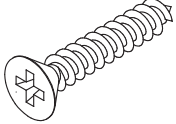
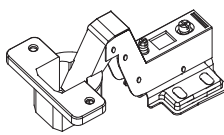
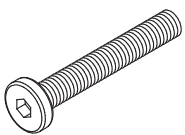
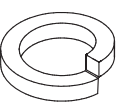
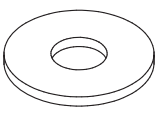
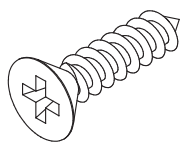
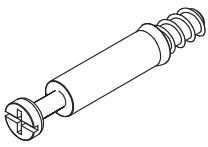
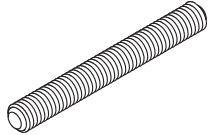
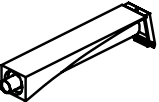
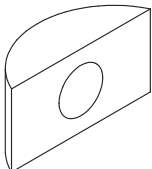
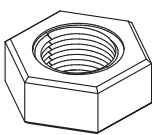
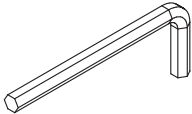
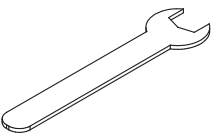
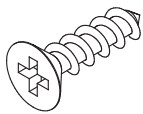
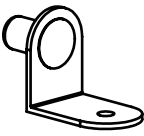
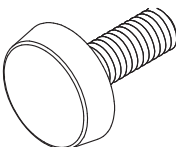

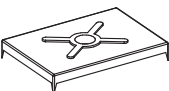
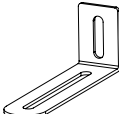
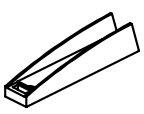
LINLEY



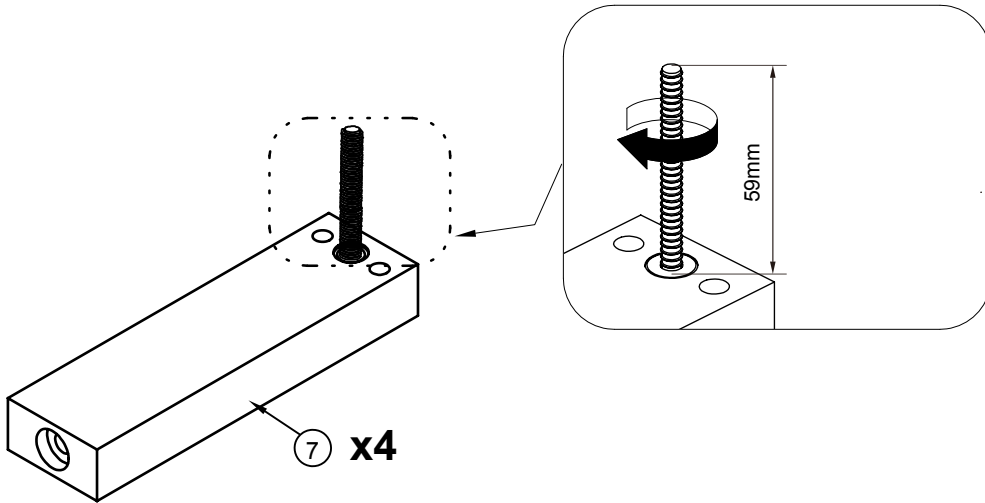
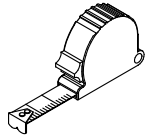
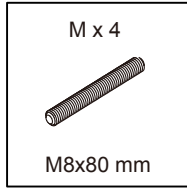
			✓
①	1	1798x400x16	
②	2	568x399x16	
③	1	568x385x16	
④	1	568x385x16	
⑤	2	578x440.5x3	
⑥	1	578x443x3	
⑦	1	1798x400x16	

			✓
⑧	4	180x50x25	
⑨	1	1756x49x45	
⑩	2	270x45x45	
⑪	2	192x55x25	
⑫	3	422x360x16	
⑬	4	562x422x16	

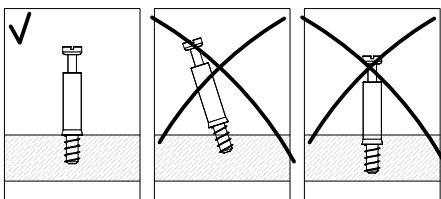
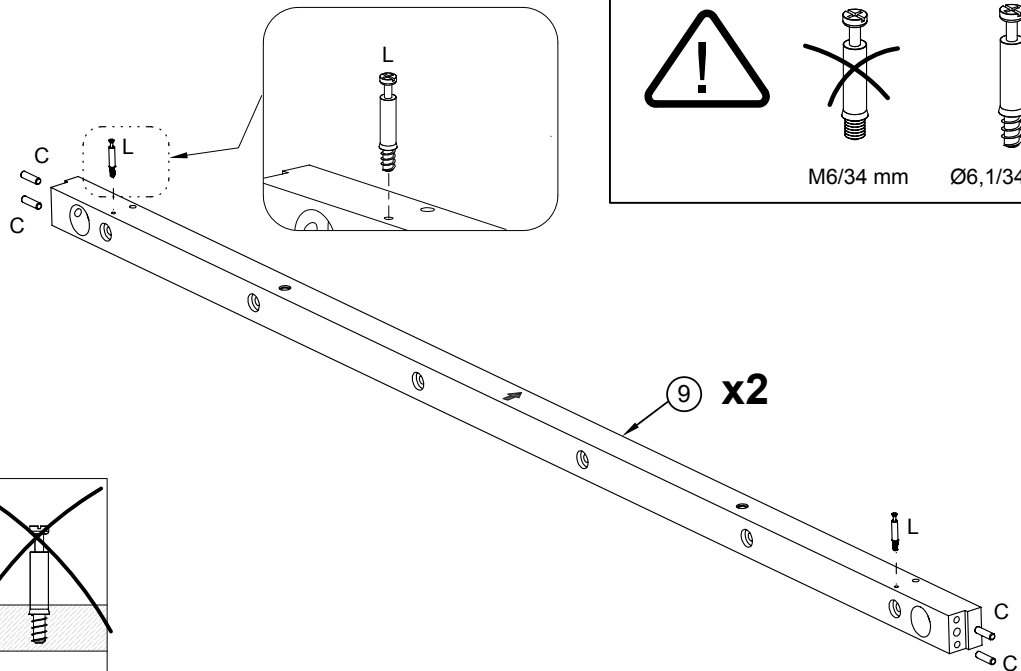
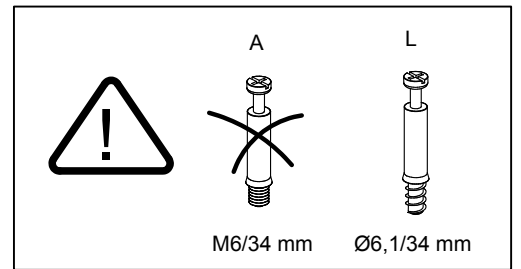
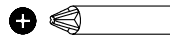
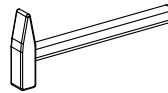
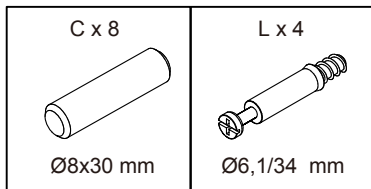


<p>A x 30</p>  <p>M6/34 mm</p>	<p>B x 34</p>  <p>Ø15x12 mm</p>	<p>C x 36</p>  <p>Ø8x30 mm</p>	<p>D x 4</p>  <p>15x15 mm</p>	<p>E x 10</p>  <p>Ø3.5x15 mm</p>
<p>F x 8</p>  <p>Ø35,FK 17</p>	<p>G x 14</p>  <p>M6x50 mm</p>	<p>H x 14</p>  <p>Ø6 mm</p>	<p>J x 14</p>  <p>Ø6/Ø16 mm</p>	<p>K x 52</p>  <p>Ø4x15 mm</p>
<p>L x 4</p>  <p>Ø6,1/ 34mm</p>	<p>M x 4</p>  <p>M8x80 mm</p>	<p>N x 4</p>  <p>85x13x16 mm</p>	<p>P x 4</p>  <p>27x15x6 mm</p>	<p>Q x 4</p>  <p>M8/12 mm</p>
<p>R x 1</p>  <p>4 mm</p>	<p>S x 1</p>  <p>12 mm</p>	<p>T x 12</p>  <p>Ø3x12 mm</p>	<p>U x 16</p>  <p>30x13x17 mm</p>	<p>V x 6</p>  <p>M6/Ø15x20/6 mm</p>
<p>W x 6</p>  <p>Ø4/ Ø12 mm</p>	<p>X x 6</p>  <p>20x14x3 mm</p>	<p>Y x 2</p>  <p>85x30x20 mm</p>	<p>Z x 4</p>  <p>79x13x13 mm</p>	

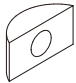
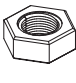
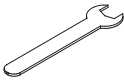
1

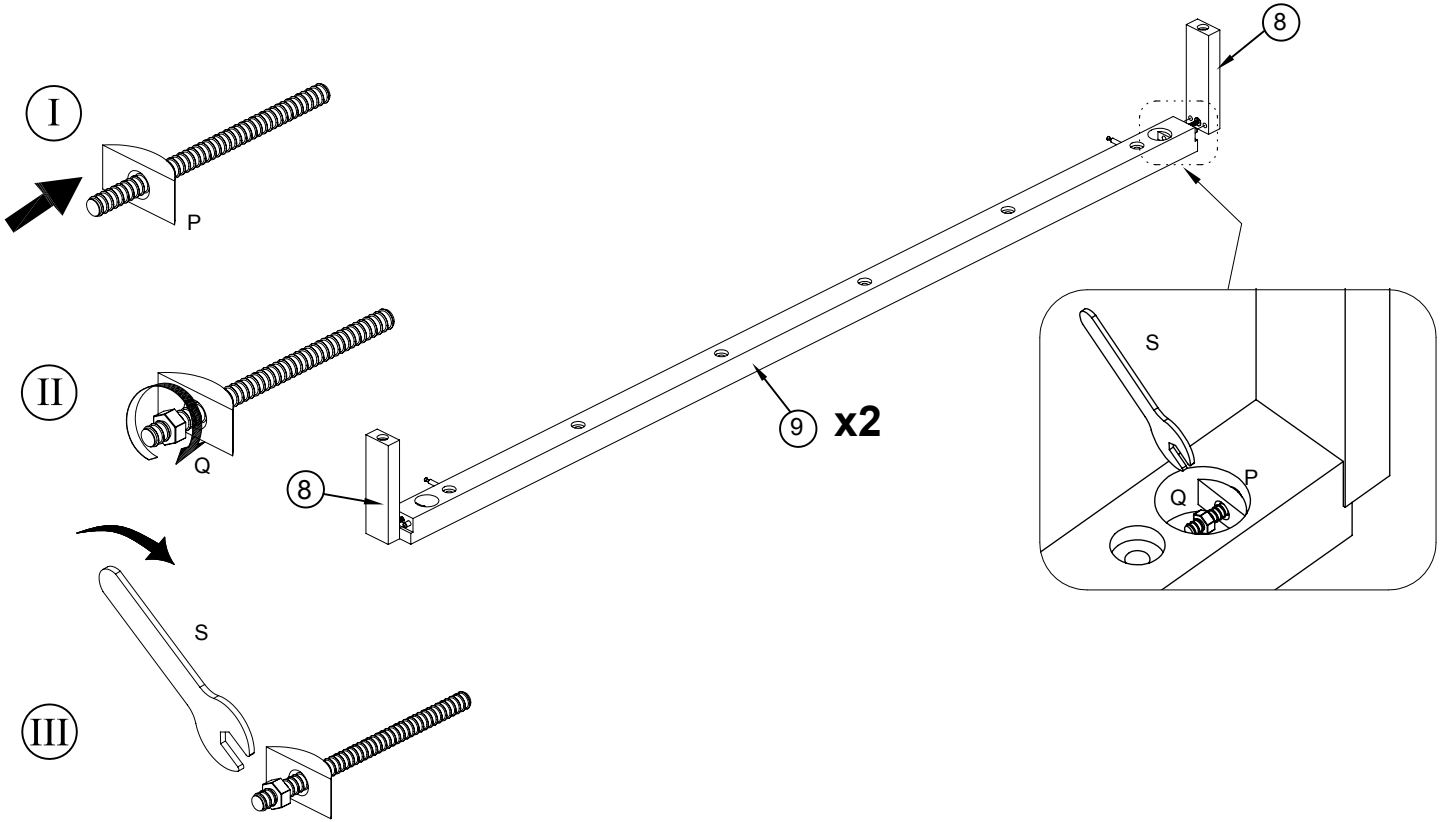


2

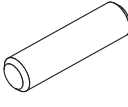


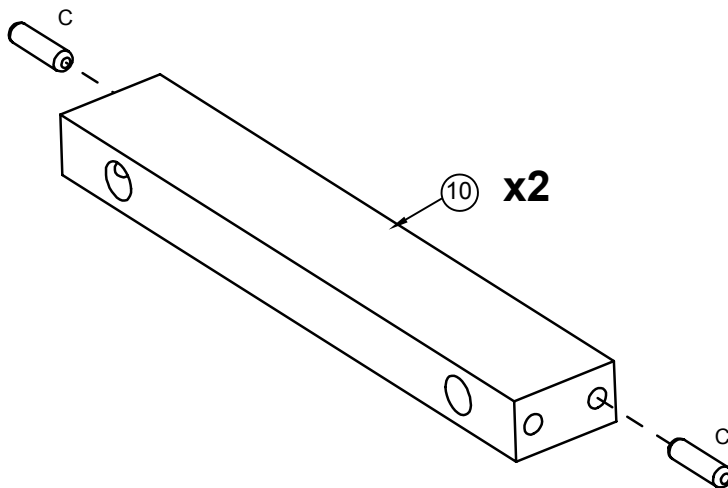
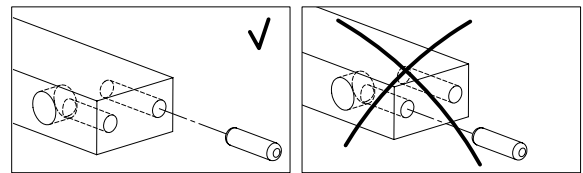
3

P x 4  27x15x6 mm	Q x 4  M8/12 mm	S x 1  12 mm
--	--	---

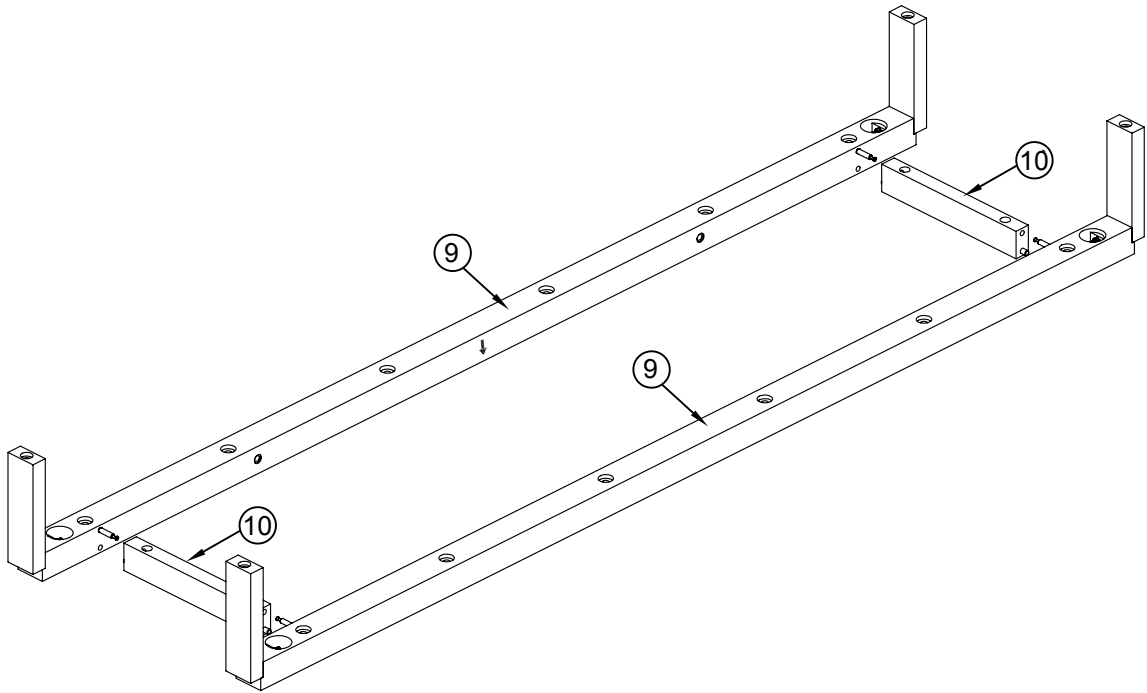


4

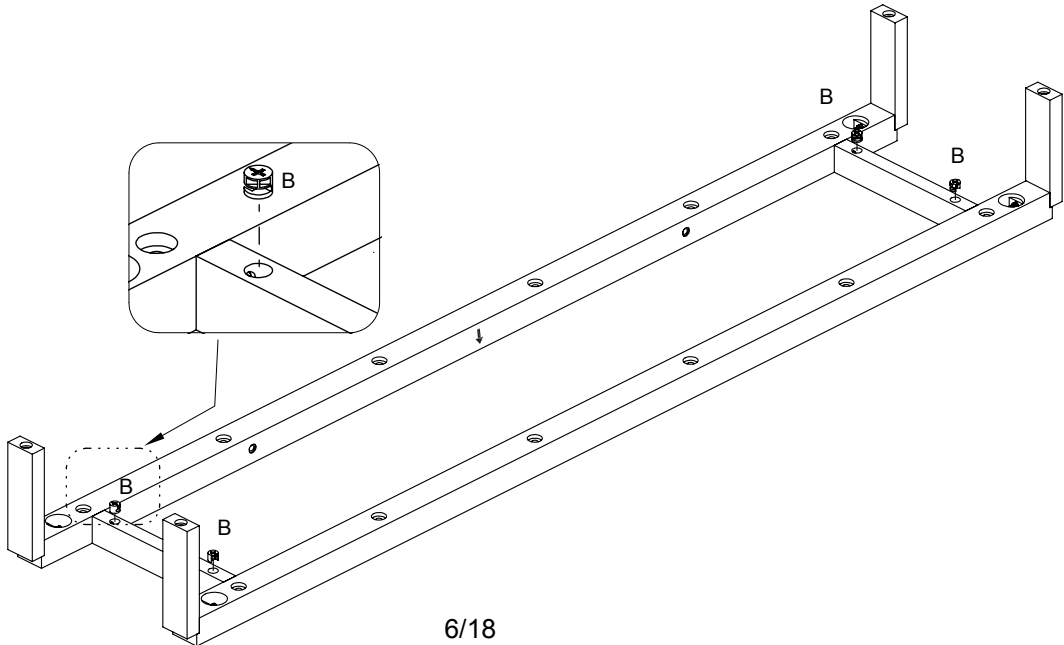
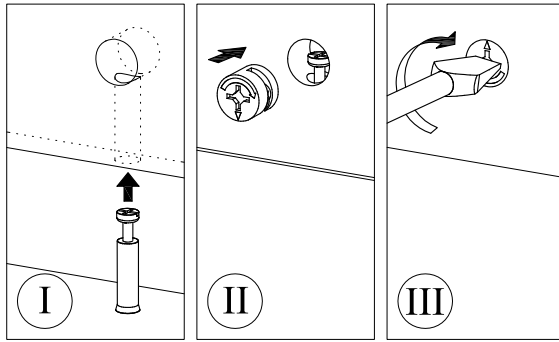
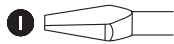
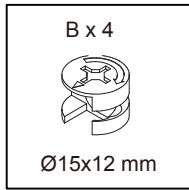
C x 4  Ø8x30 mm
--



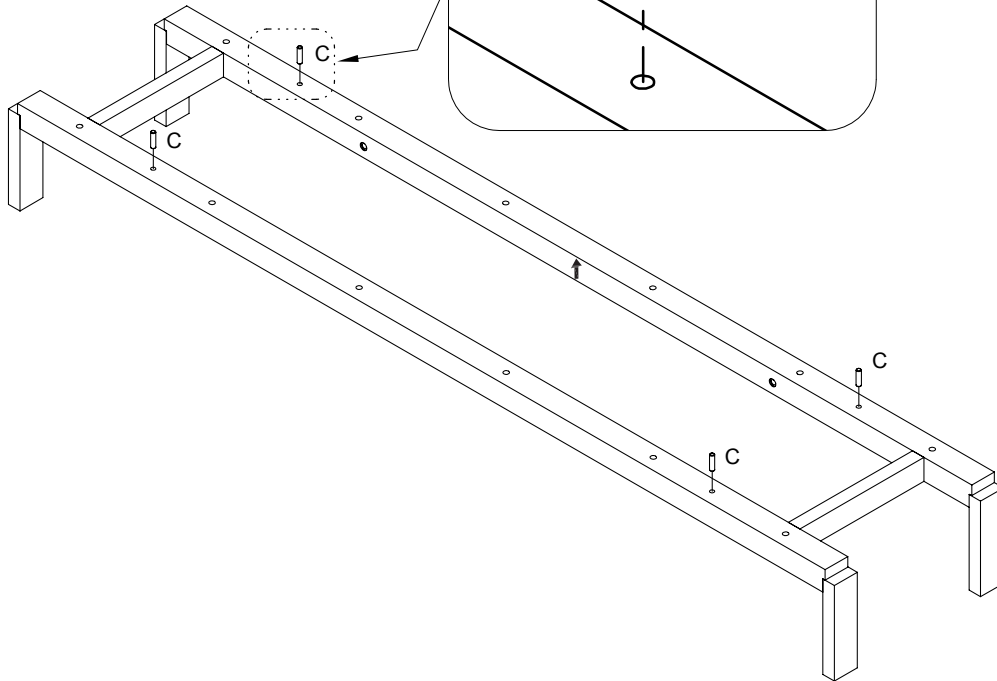
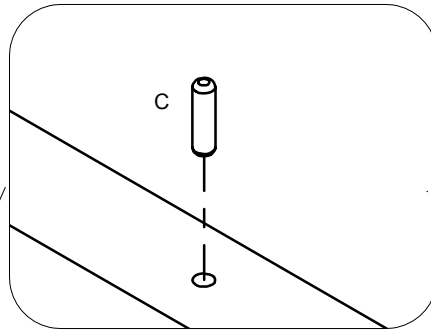
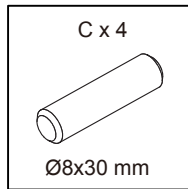
5



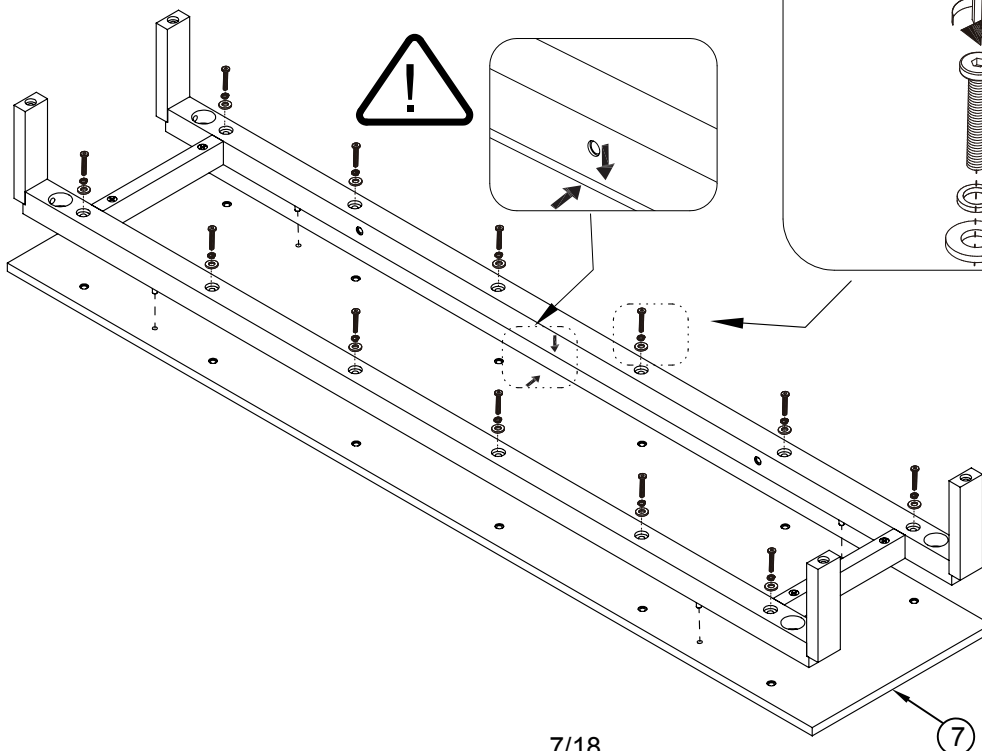
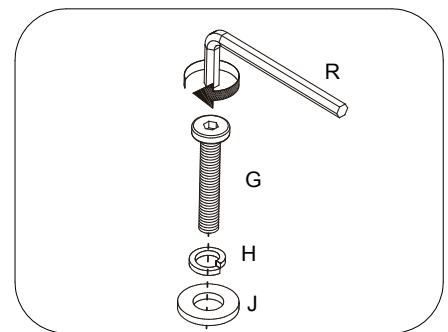
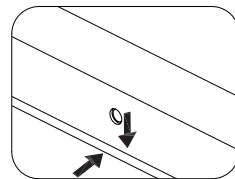
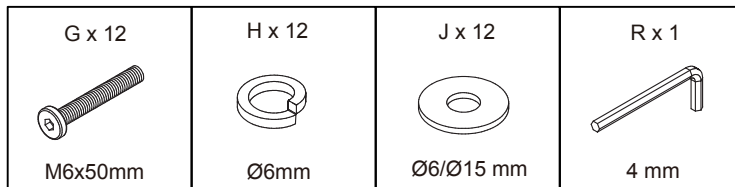
6



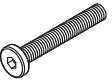
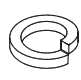
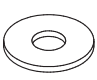
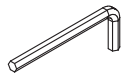
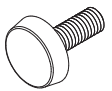
7

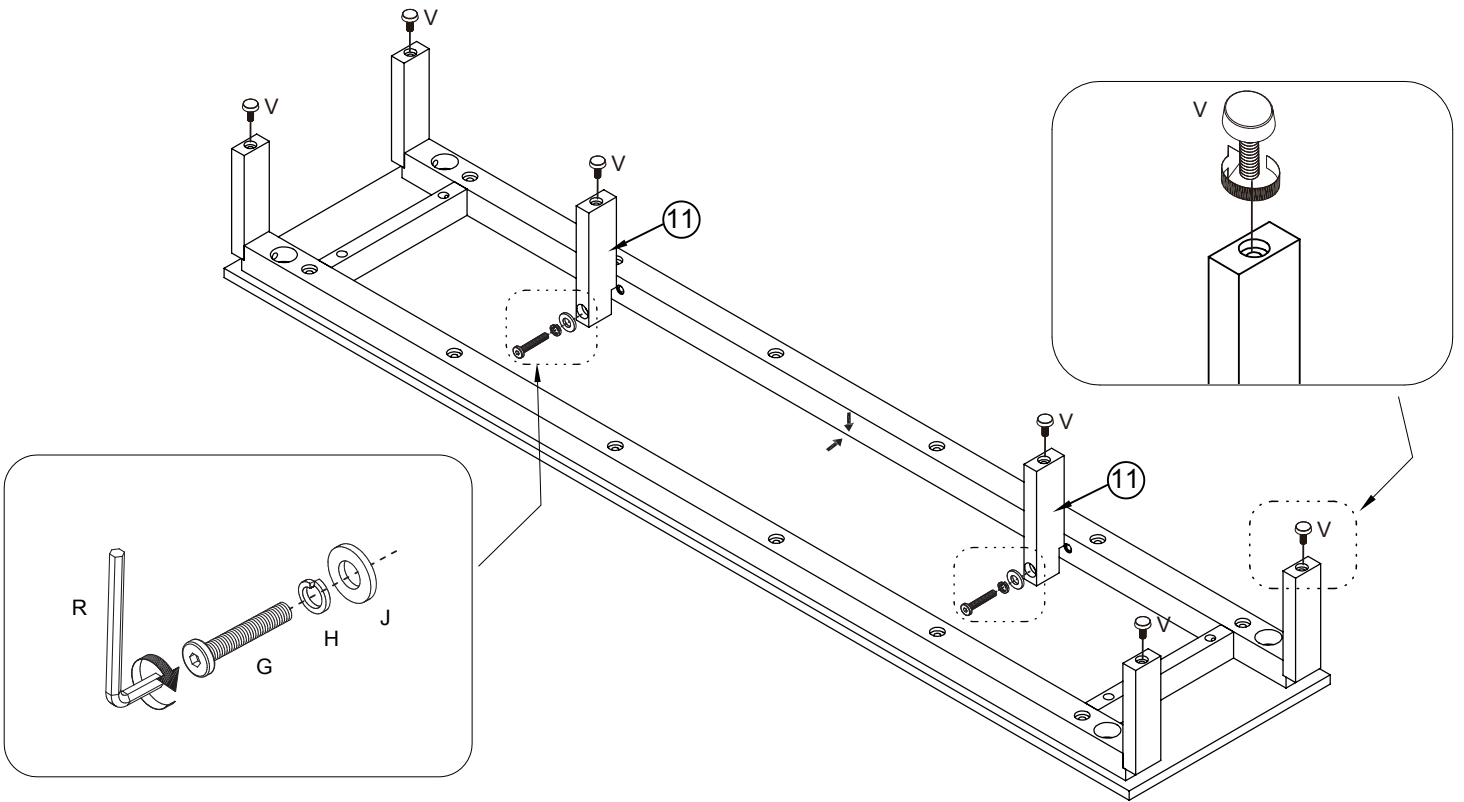


8

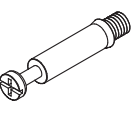


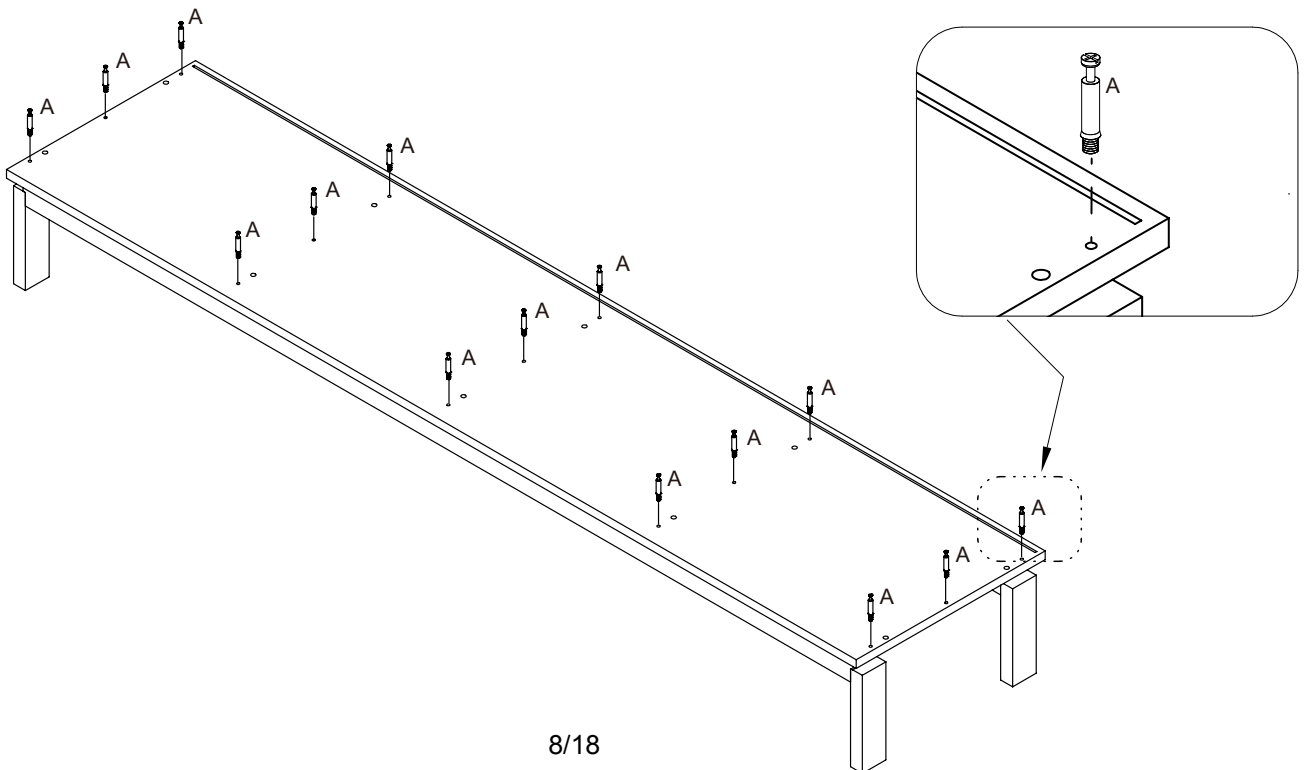
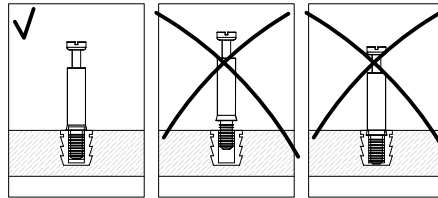
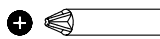
9

G x 2  M6x50mm	H x 2  Ø6mm	J x 2  Ø6/Ø15 mm	R x 1  4 mm	V x 6  M6/Ø15x20/6 mm
---	--	---	--	--

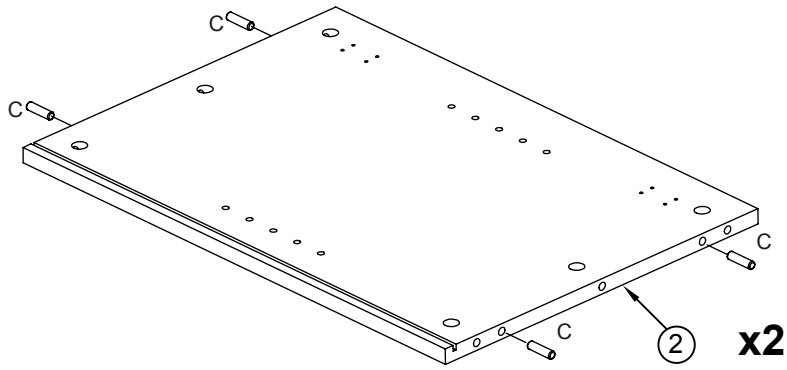
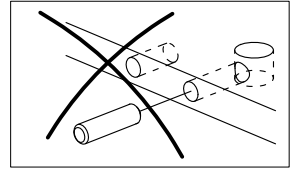
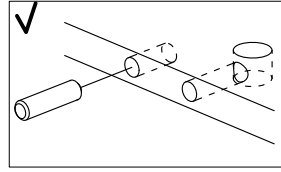
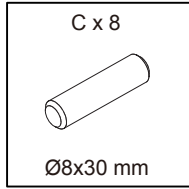


10

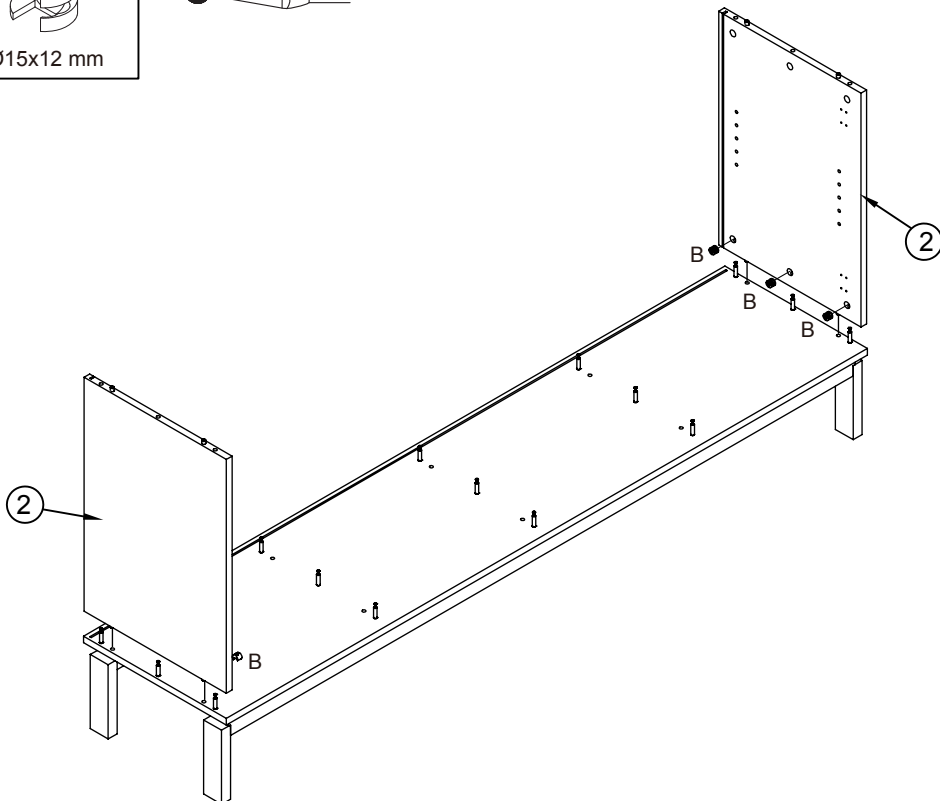
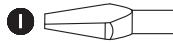
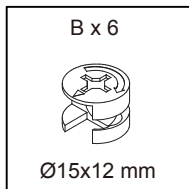
A x 15  M6/34 mm



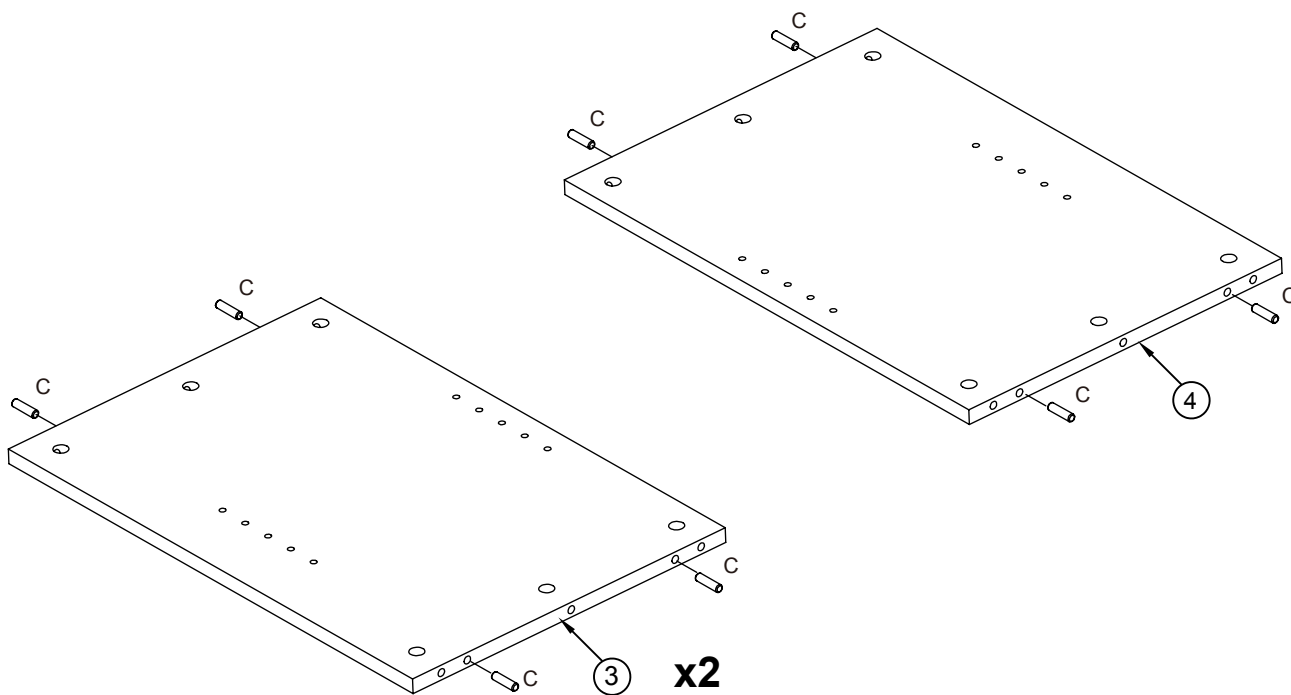
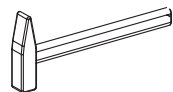
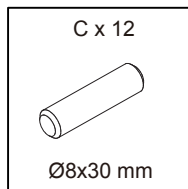
11



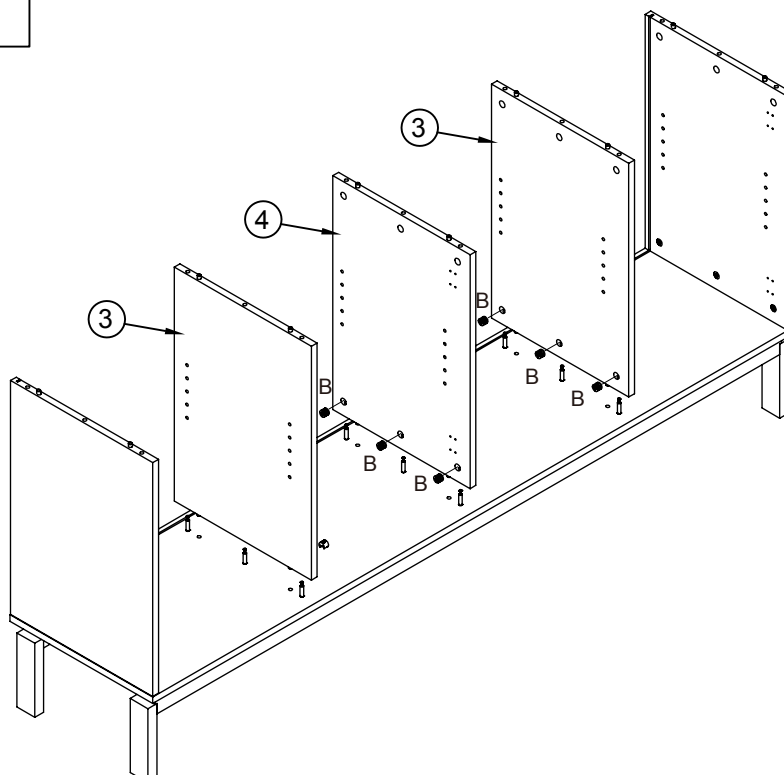
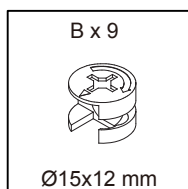
12



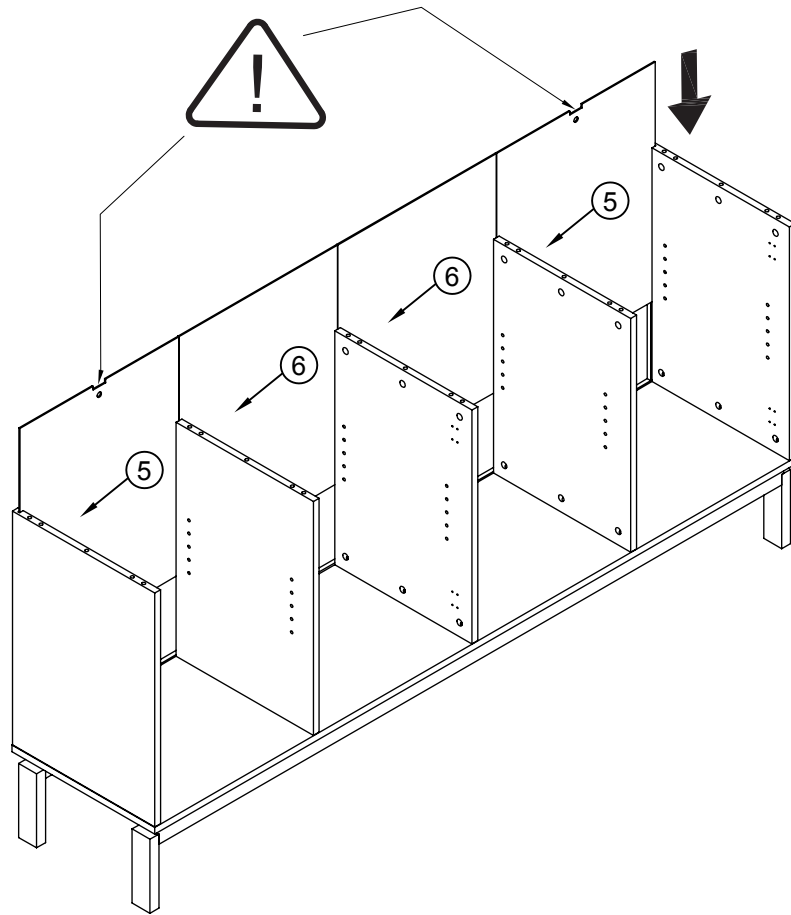
13



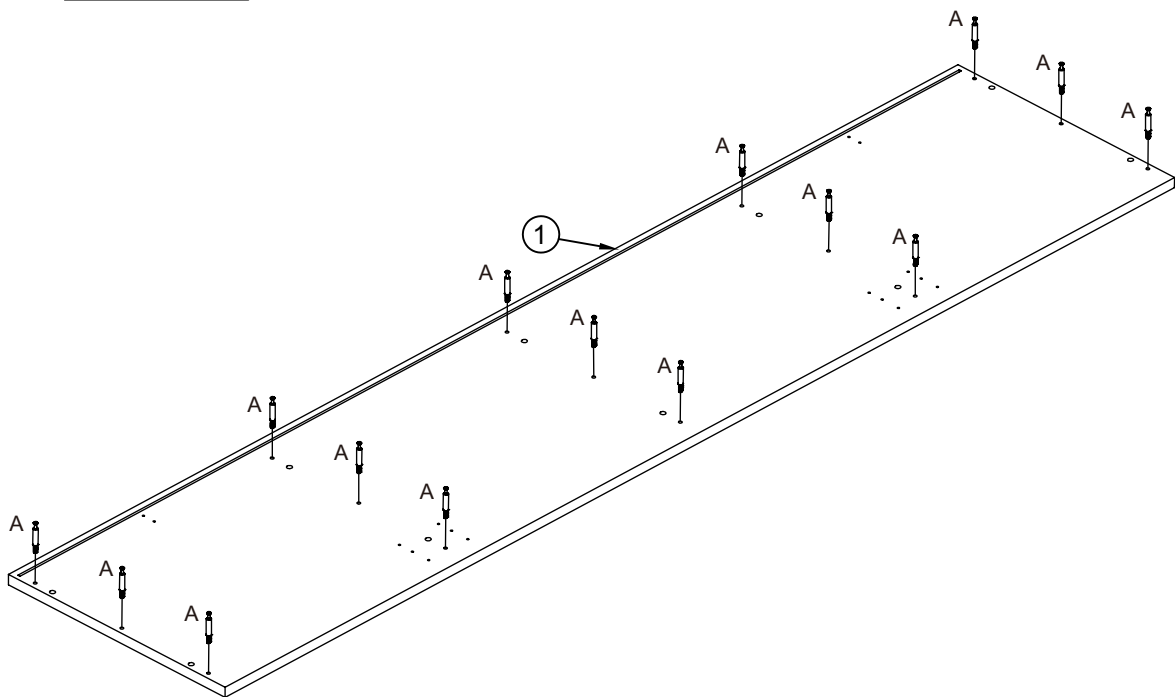
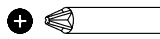
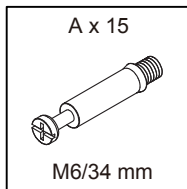
14






15

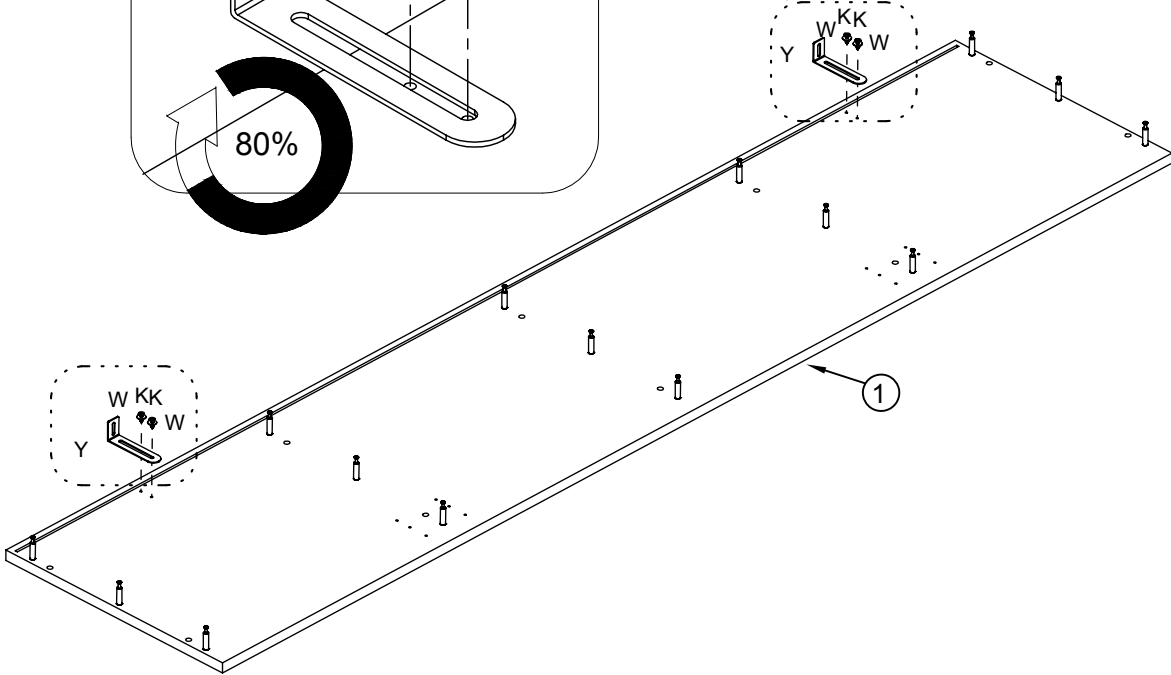
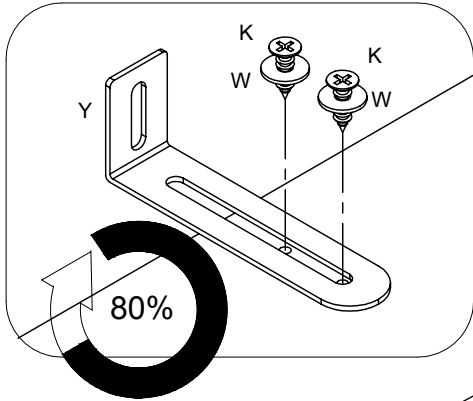
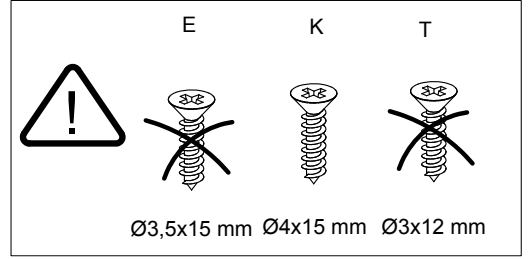
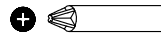


16

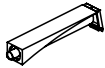




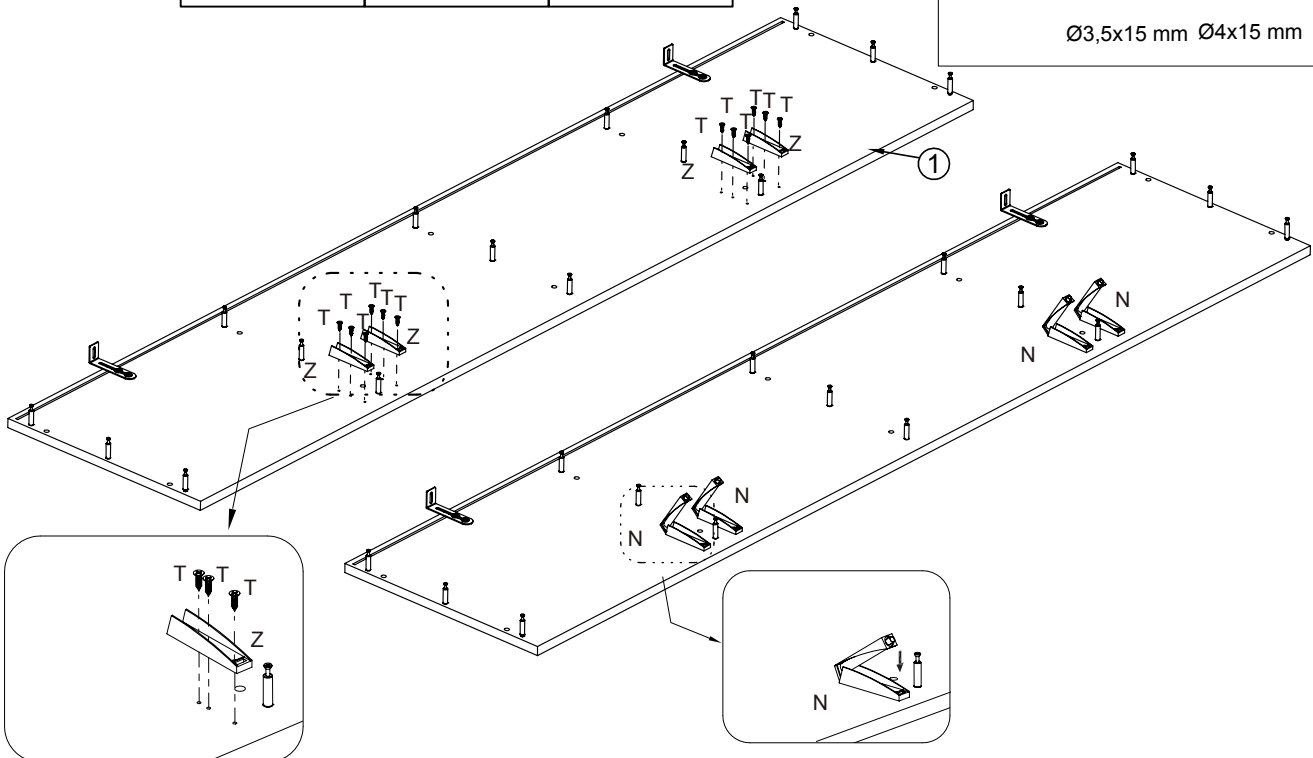
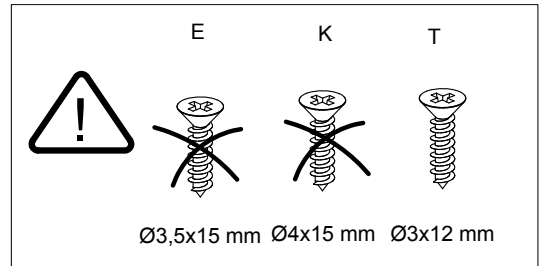
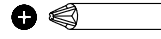
17

K x 4  Ø4x15mm	W x 4  Ø4/Ø12 mm	Y x 2  85x30x20 mm
---	---	---

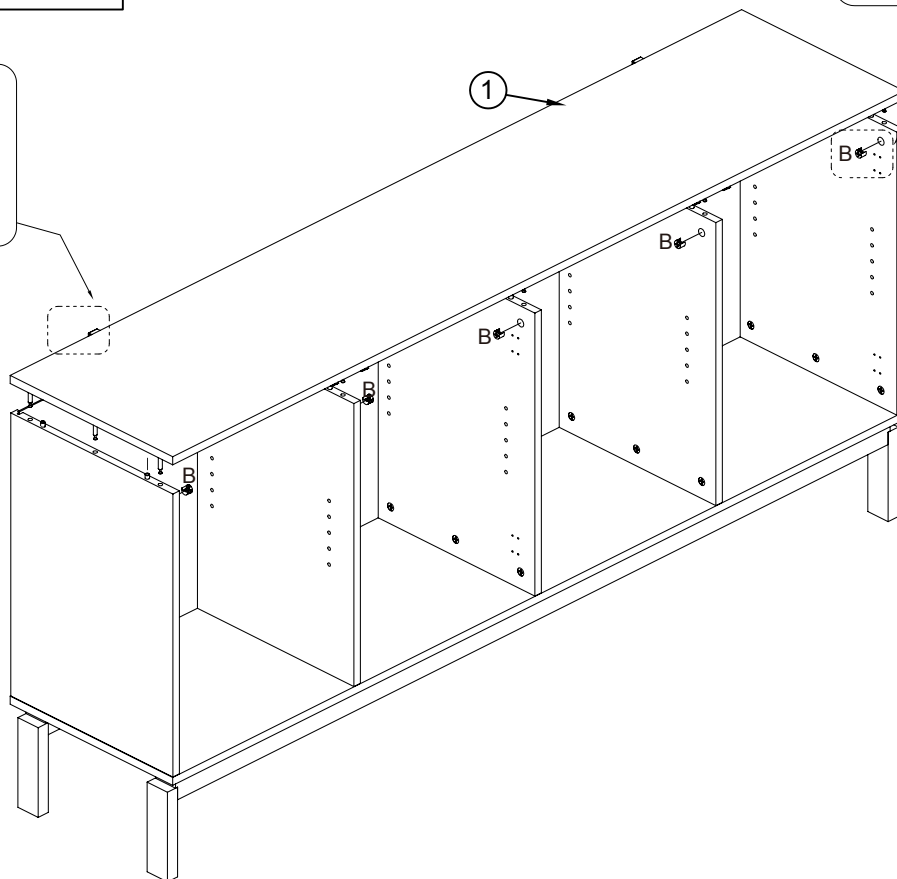
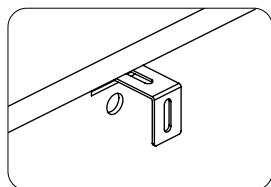
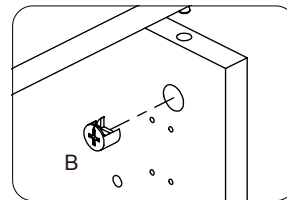
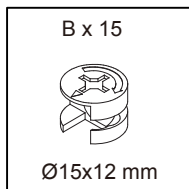


18

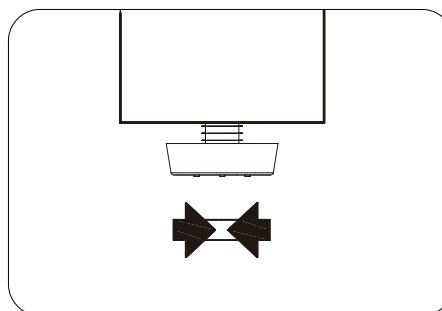
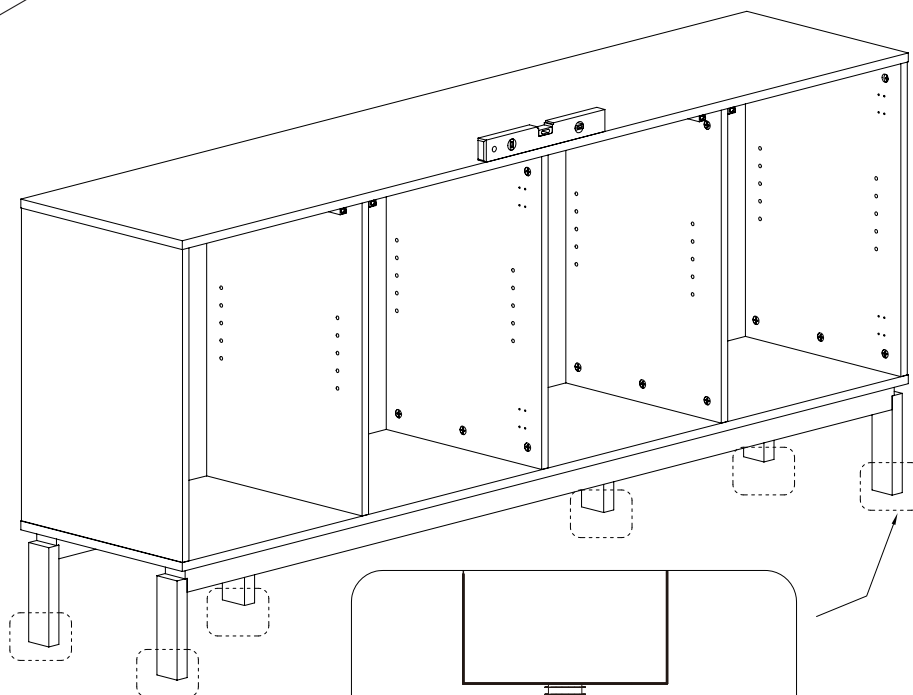
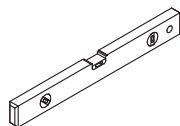
N x 4  85x13x16 mm	T x 12  Ø3x12 mm	Z x 4  79x13x13 mm
---	---	---



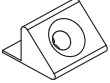


19

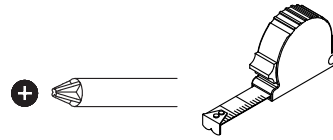


20

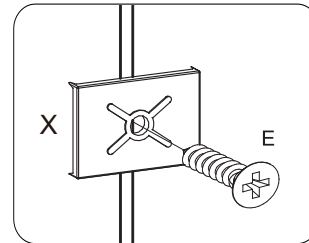
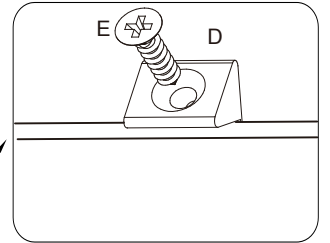
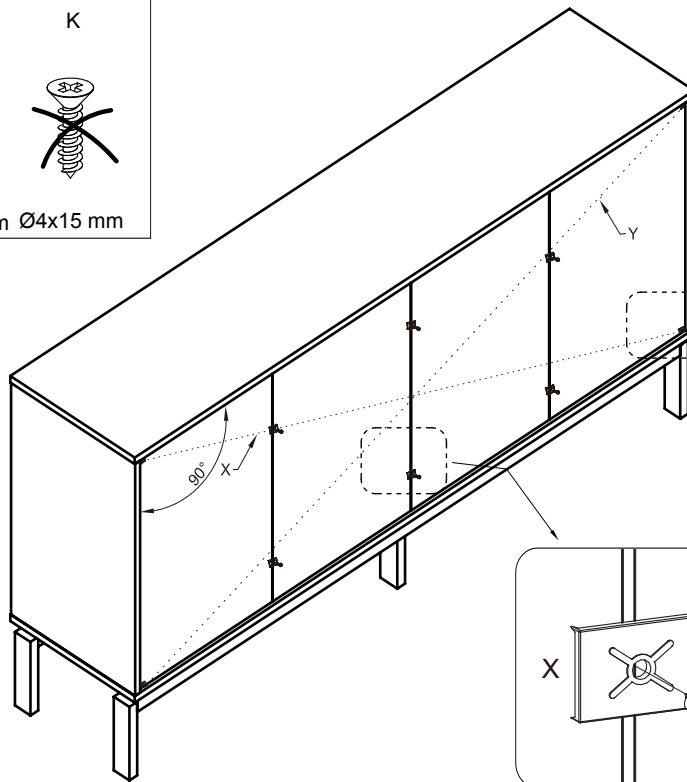
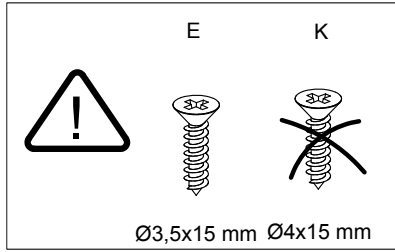


21


D x 4  15x15 mm	E x 10  Ø3,5x15 mm	X x 6  20x14x3 mm
--	---	--

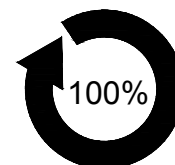
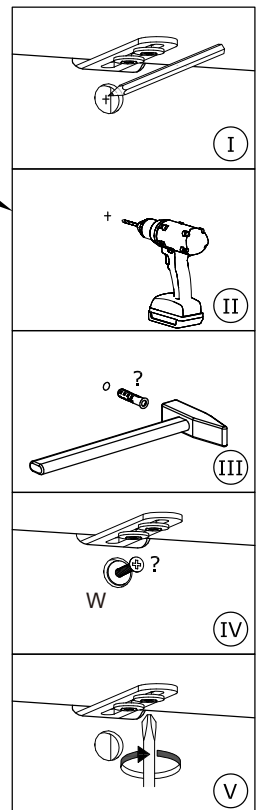
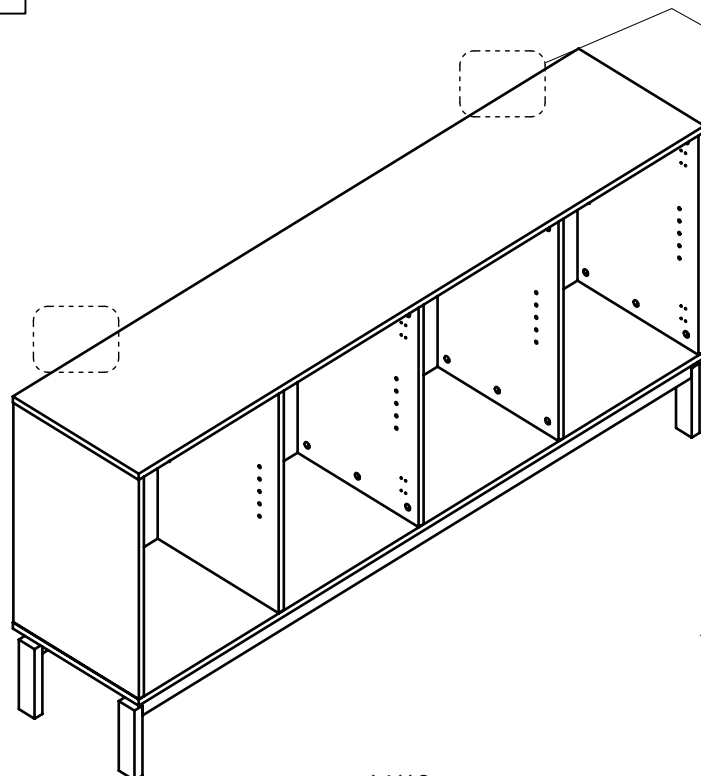
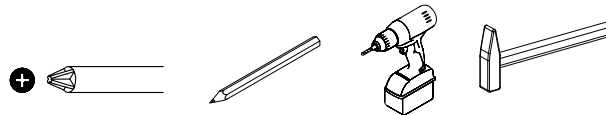


X=Y

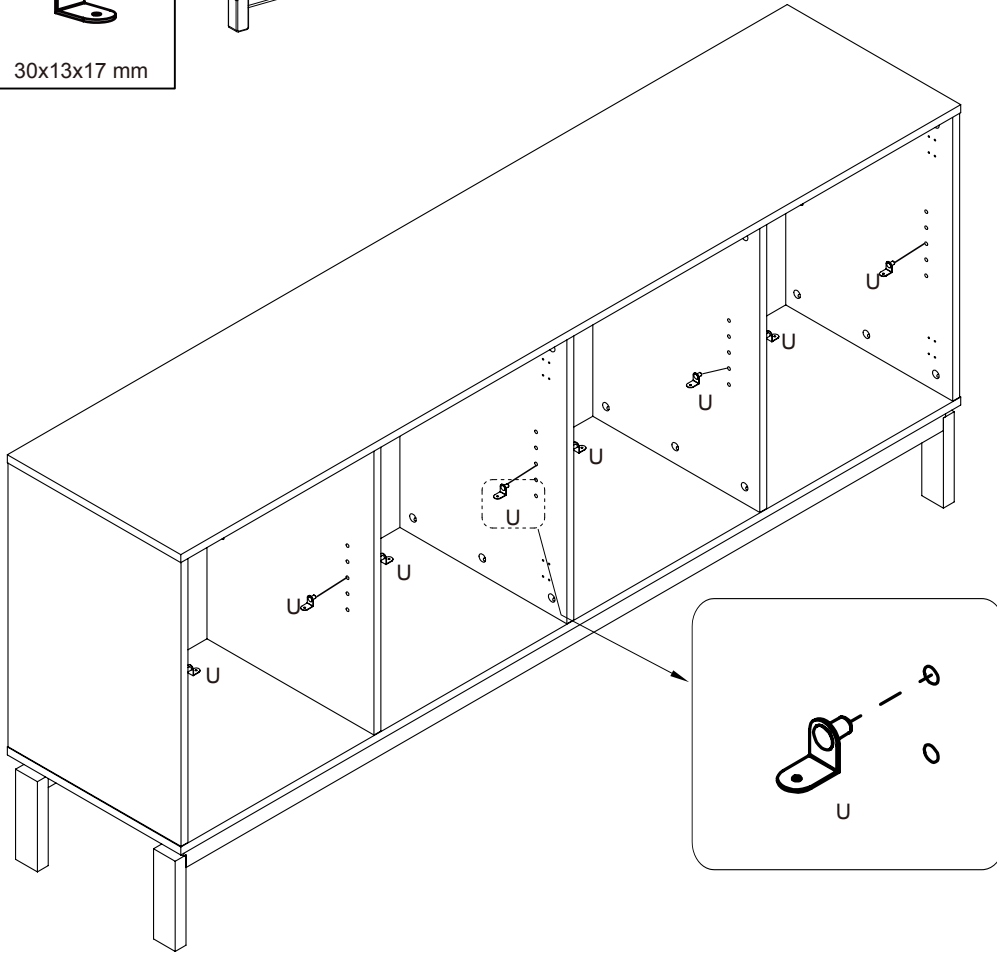
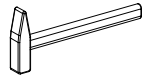
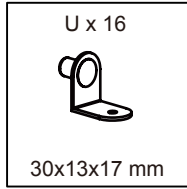


22

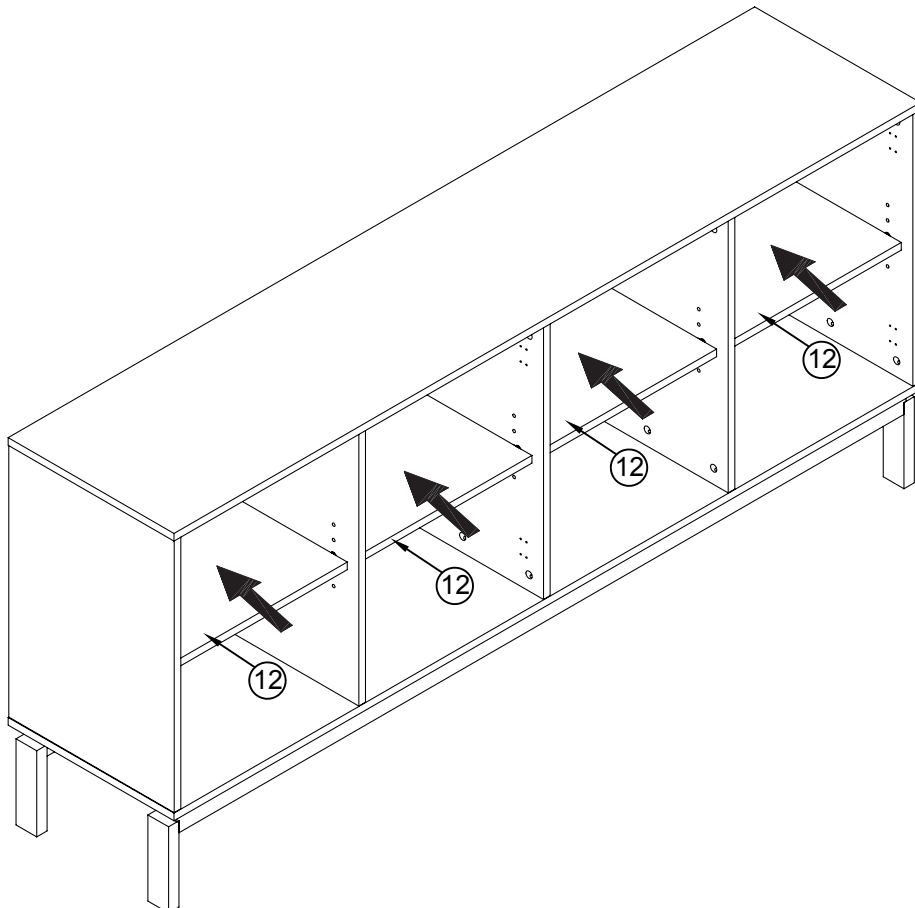
W x 2  Ø4/Ø12 mm



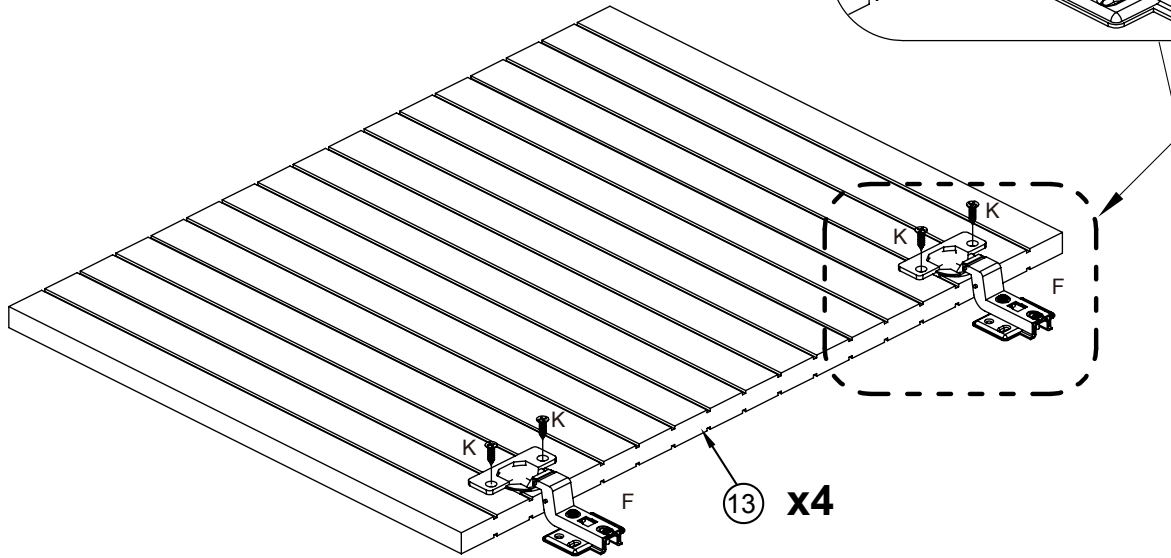
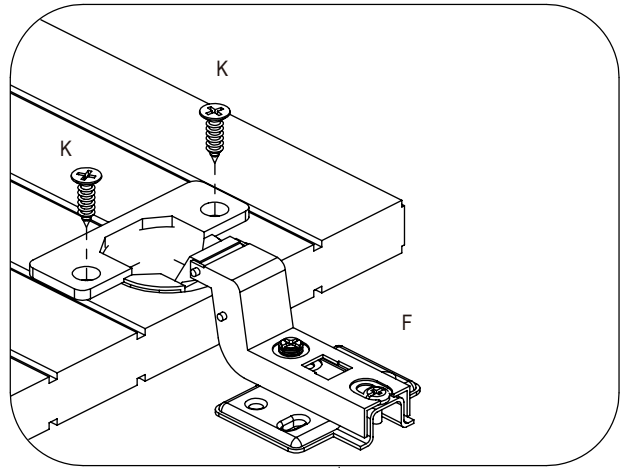
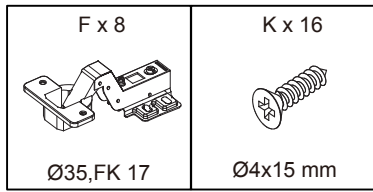
23



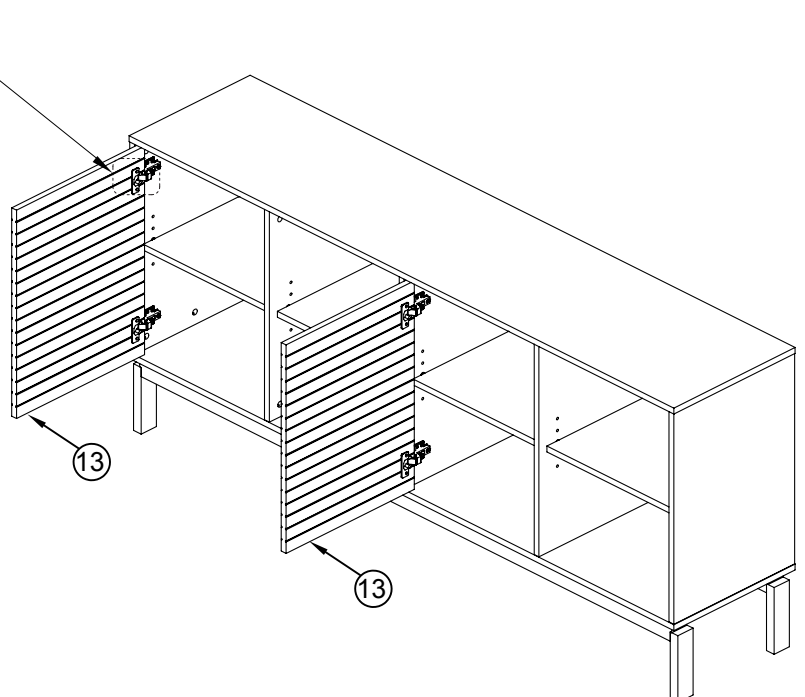
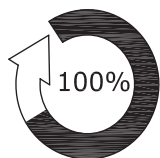
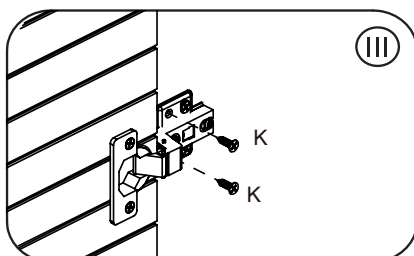
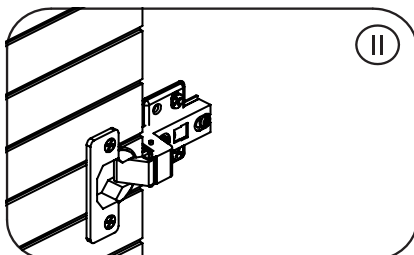
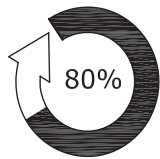
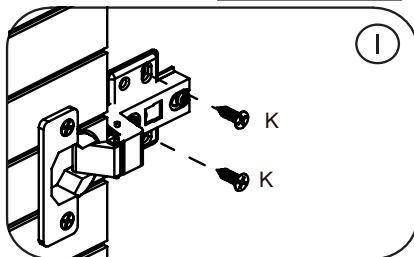
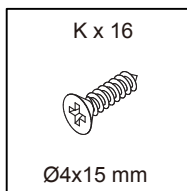
24



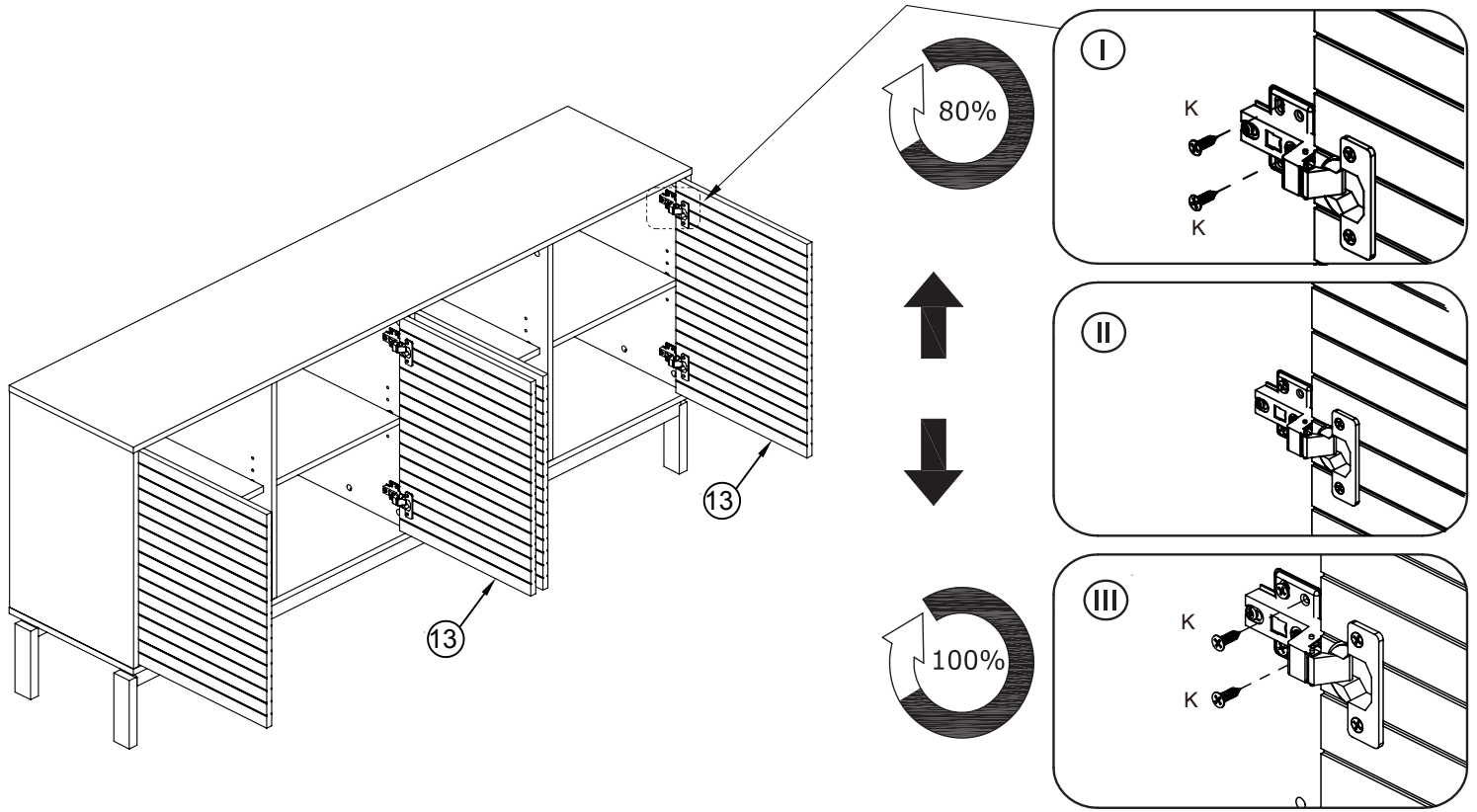
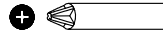
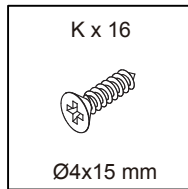
25



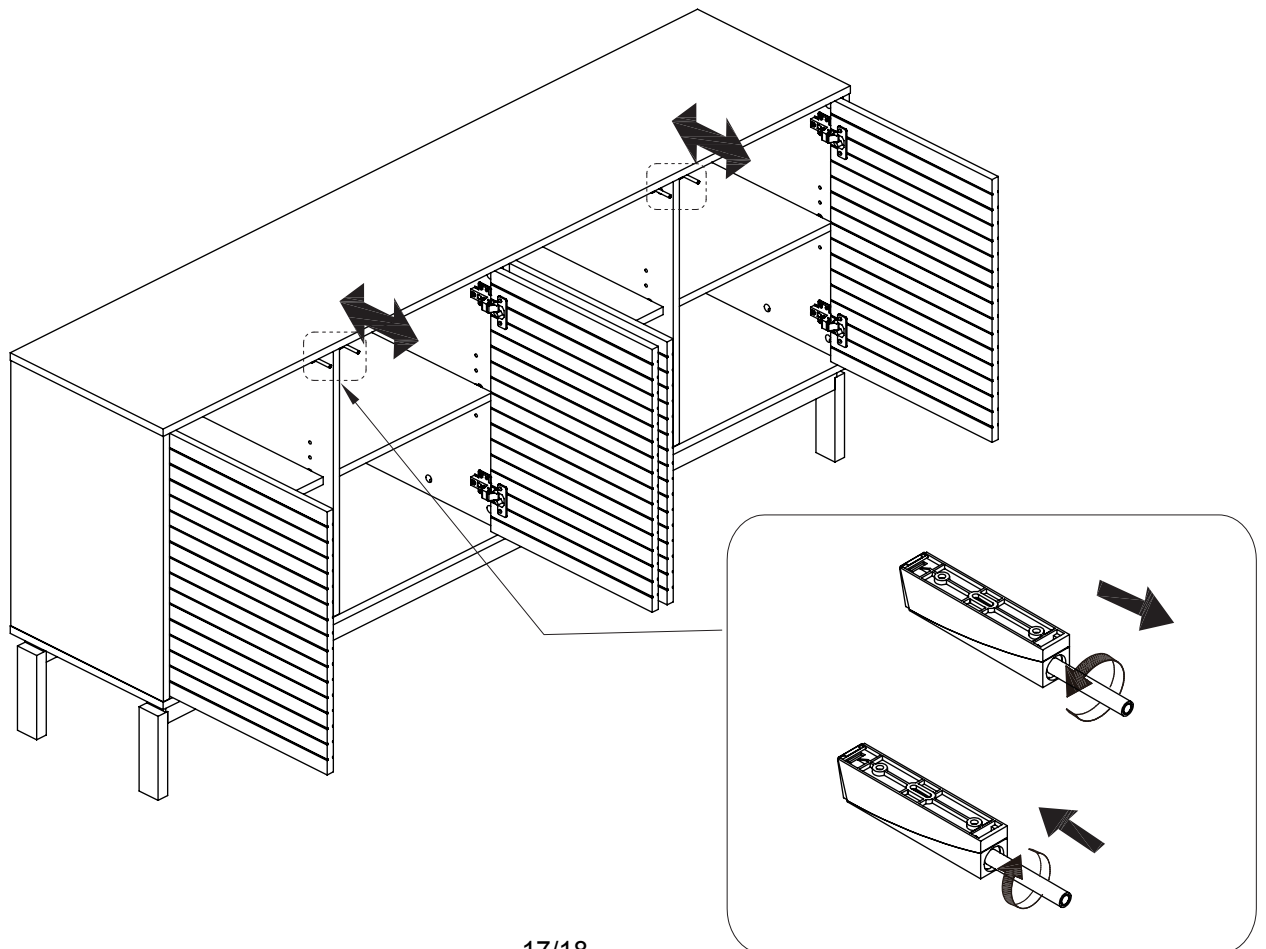
26



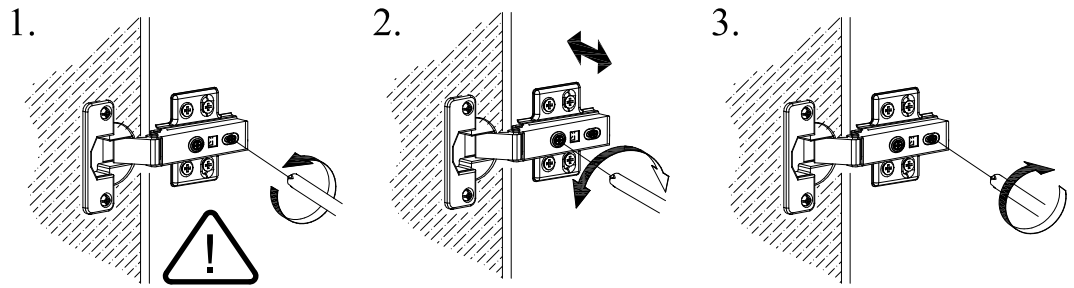
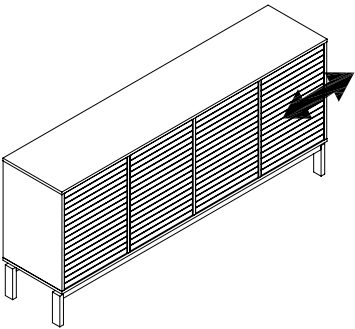
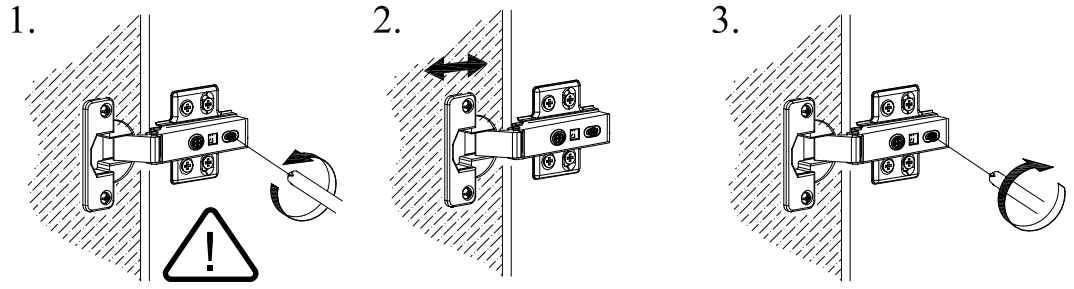
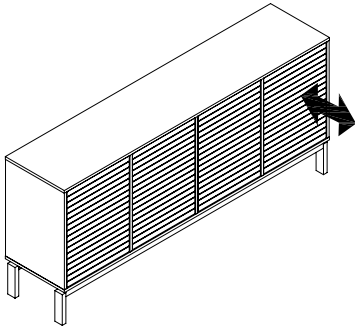
27



28



29



30

