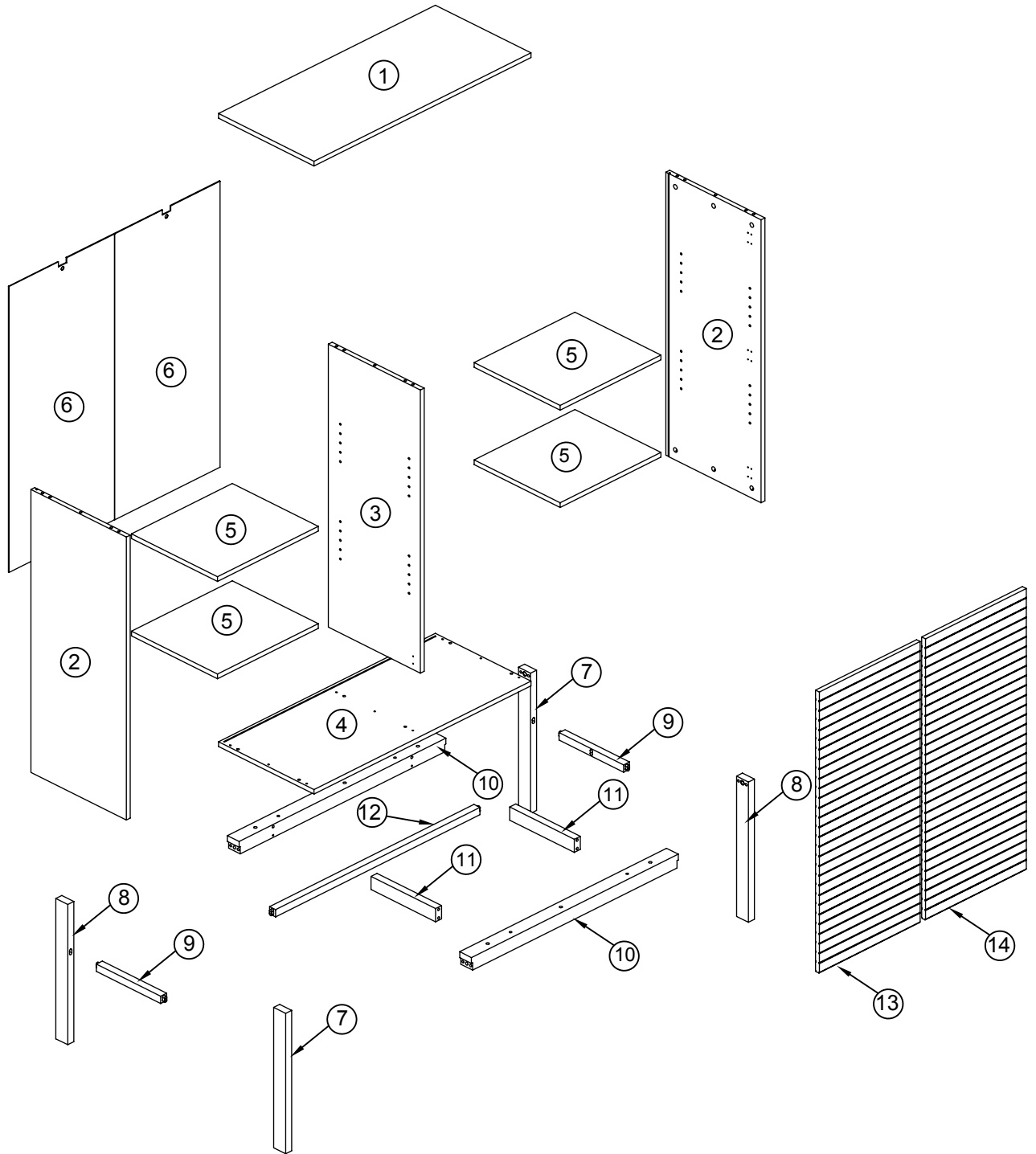
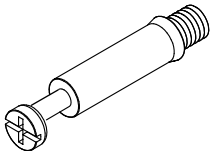
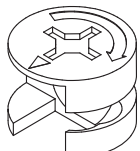
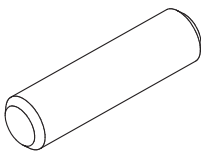
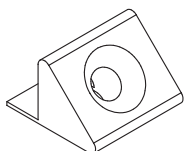
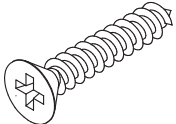
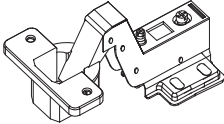
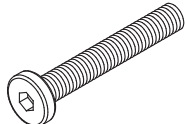
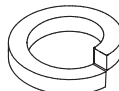
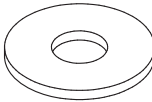
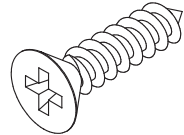
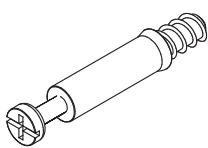
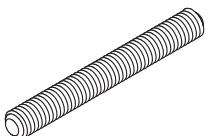
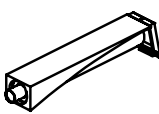
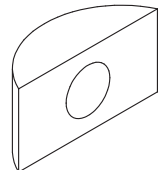
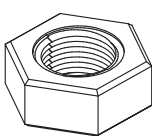
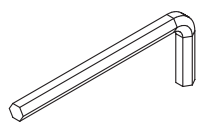
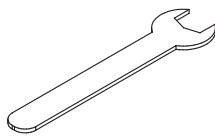
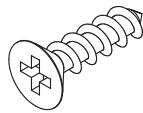
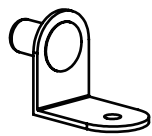
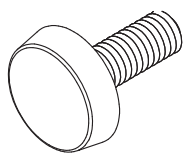

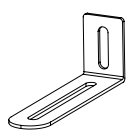
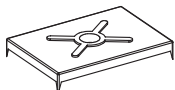
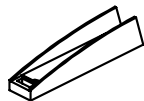




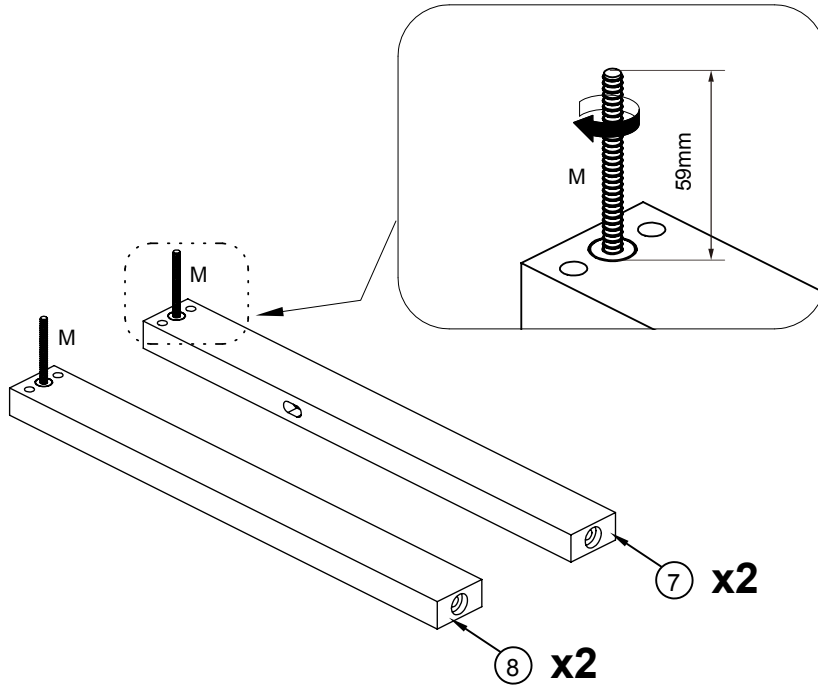
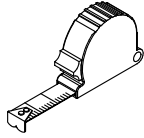
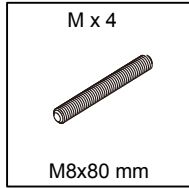
			✓
①	1	908x400x16	
②	2	968x399x16	
③	1	968x385x16	
④	1	908x400x16	
⑤	4	421x360x16	
⑥	2	978x440x3	
⑦	2	485x50x25	

			✓
⑧	2	485x50x25	
⑨	2	285x25x25	
⑩	2	866x49x45	
⑪	2	270x45x25	
⑫	1	872x25x25	
⑬	1	962x421x16	
⑭	1	962x421x16	

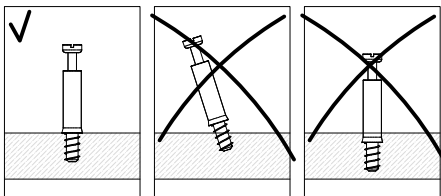
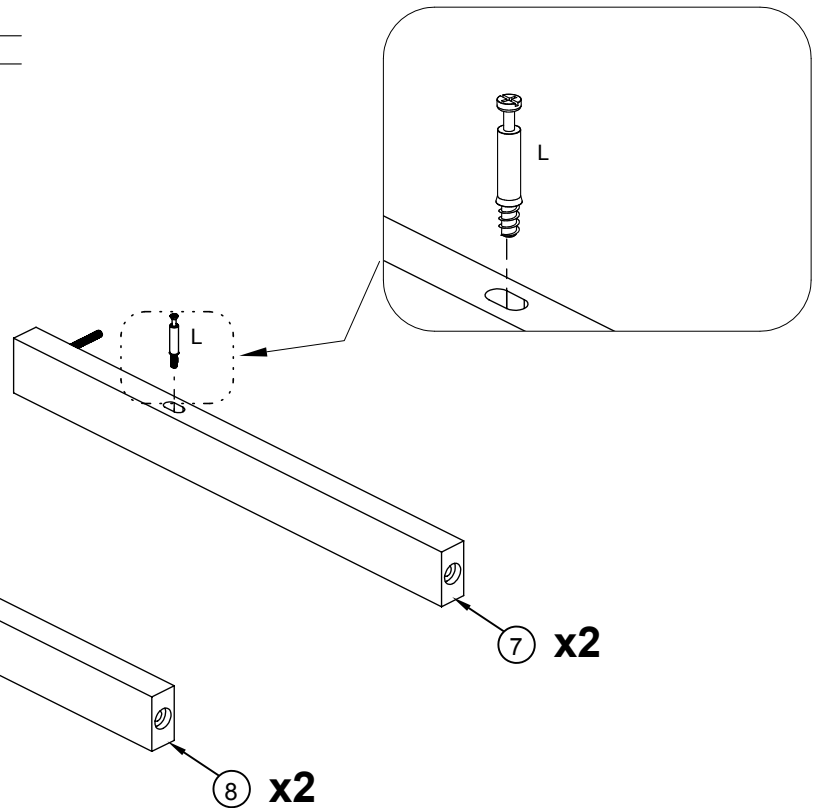
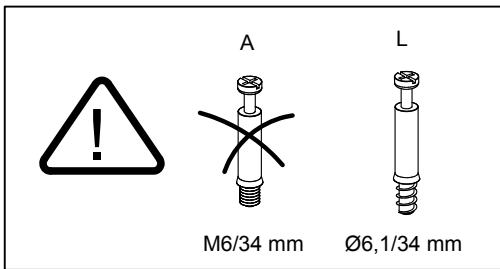
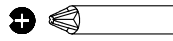
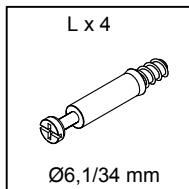


<p>A x 18</p>  <p>M6/34 mm</p>	<p>B x 28</p>  <p>Ø15x12 mm</p>	<p>C x 28</p>  <p>Ø8x30 mm</p>	<p>D x 6</p>  <p>15x15 mm</p>	<p>E x 8</p>  <p>Ø3,5x15 mm</p>
<p>F x 6</p>  <p>Ø35,FK 17</p>	<p>G x 6</p>  <p>M6x50 mm</p>	<p>H x 6</p>  <p>Ø6 mm</p>	<p>J x 6</p>  <p>Ø6/Ø16 mm</p>	<p>K x 40</p>  <p>Ø4x15 mm</p>
<p>L x 10</p>  <p>Ø6,1/34 mm</p>	<p>M x 4</p>  <p>M8x80 mm</p>	<p>N x 2</p>  <p>85x13x16 mm</p>	<p>P x 4</p>  <p>27x15x6 mm</p>	<p>Q x 4</p>  <p>M8/12 mm</p>
<p>R x 1</p>  <p>4 mm</p>	<p>S x 1</p>  <p>12 mm</p>	<p>T x 12</p>  <p>Ø3x12 mm</p>	<p>U x 16</p>  <p>30 x 13 x 17 mm</p>	<p>V x 4</p>  <p>M6/Ø15x20/6 mm</p>
<p>W x 6</p>  <p>Ø4/Ø12 mm</p>	<p>X x 2</p>  <p>20x14x3 mm</p>	<p>Y x 2</p>  <p>85x30x20 mm</p>	<p>Z x 2</p>  <p>79x13x13 mm</p>	<p>AA x 2</p>  <p>35x15x17 mm</p>
<p>AB x 2</p>  <p>Ø20 mm</p>				

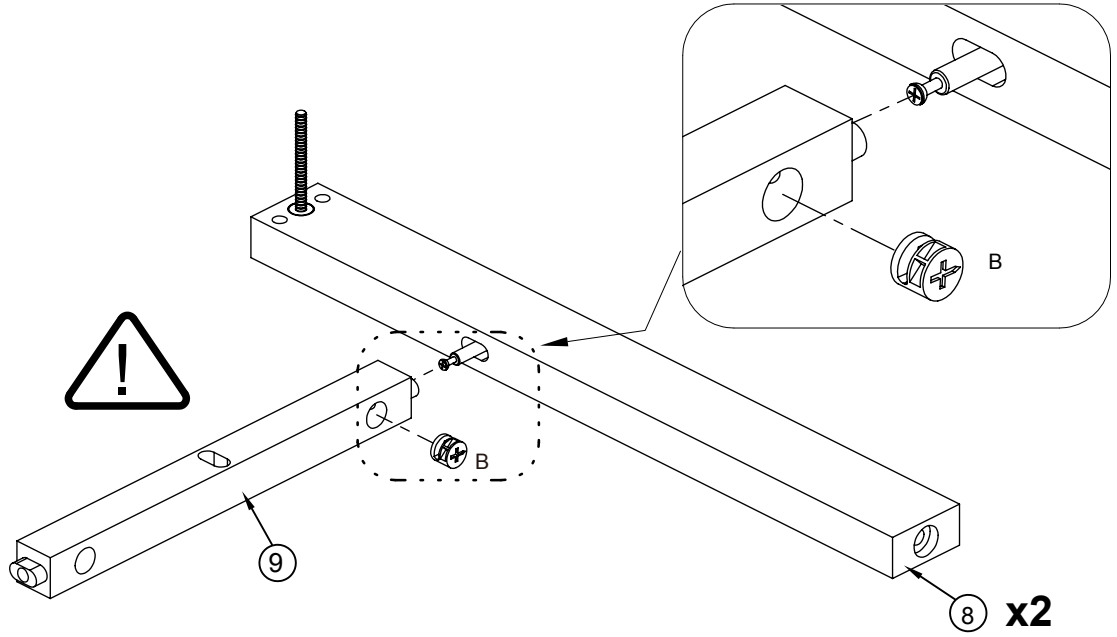
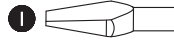
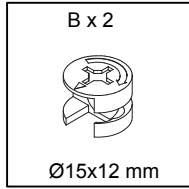
1



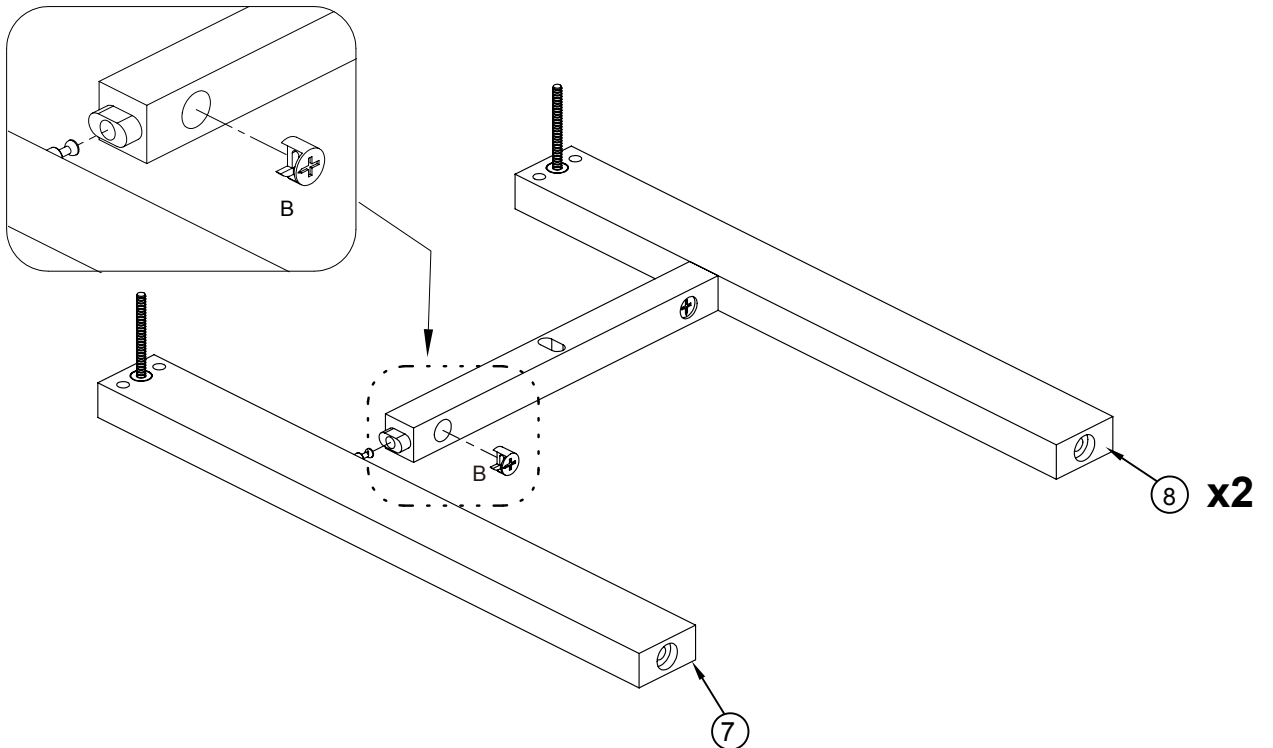
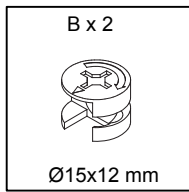
2



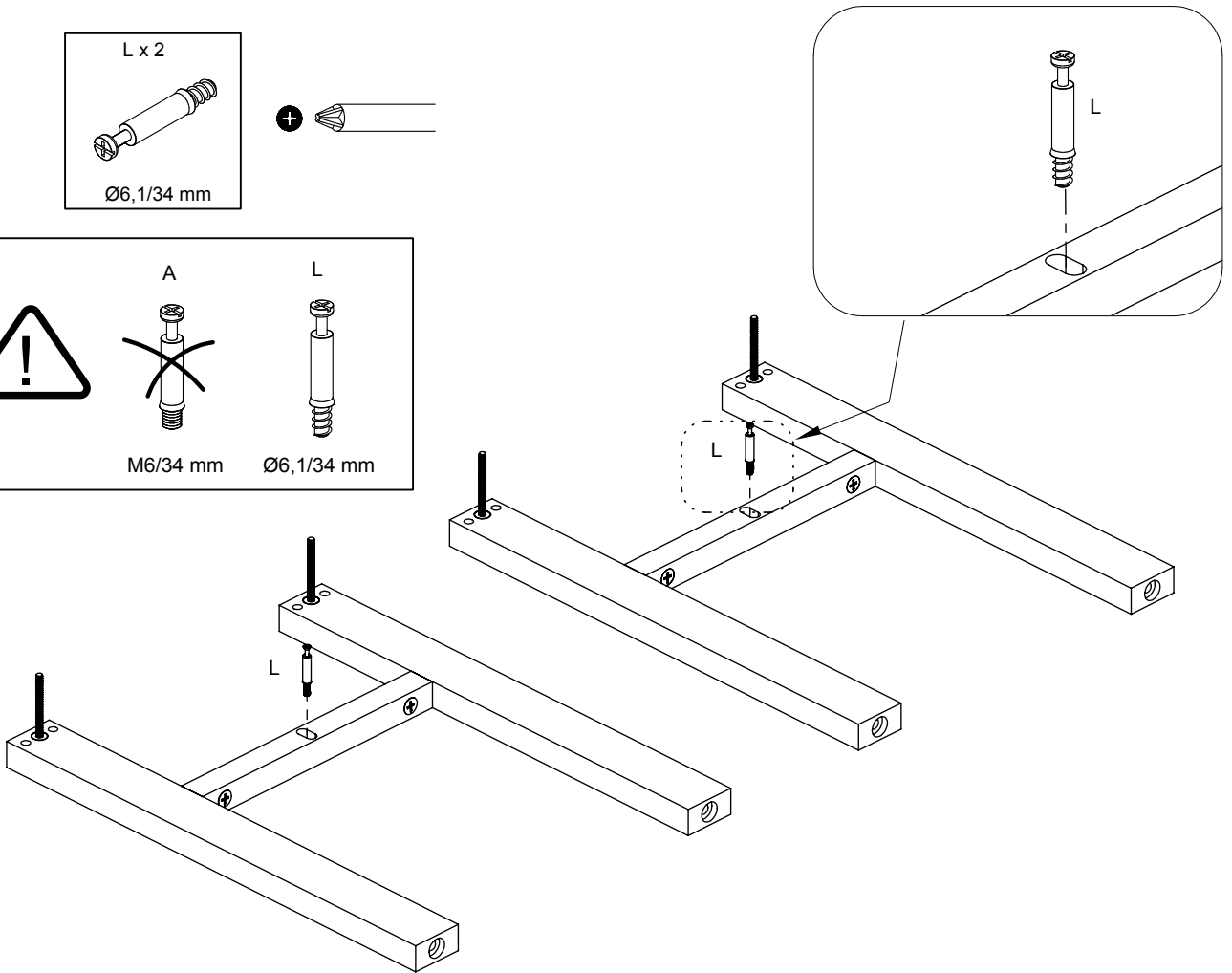
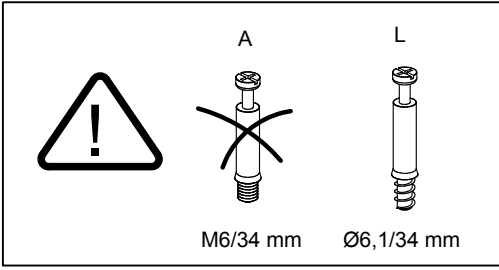
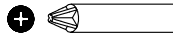
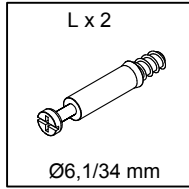
3



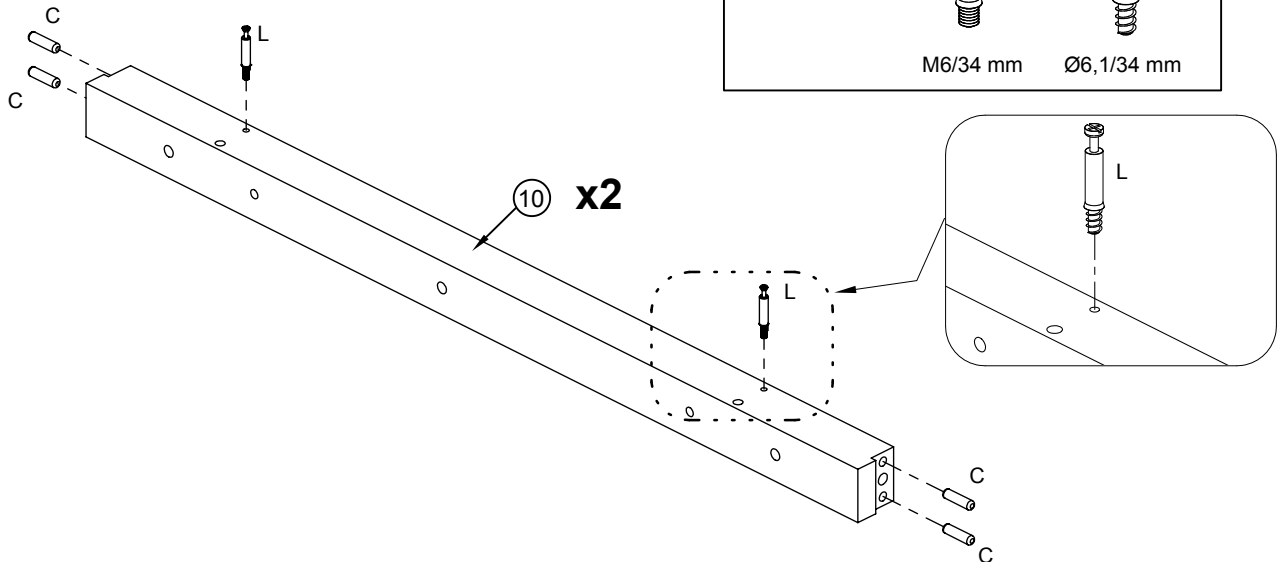
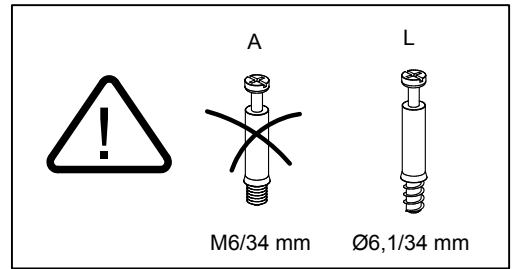
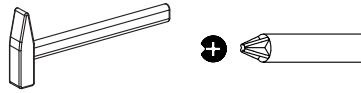
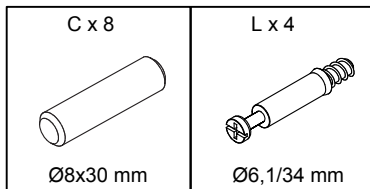
4



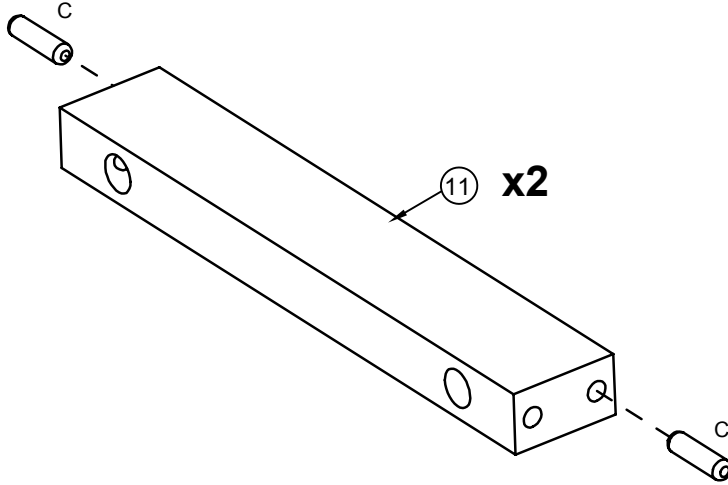
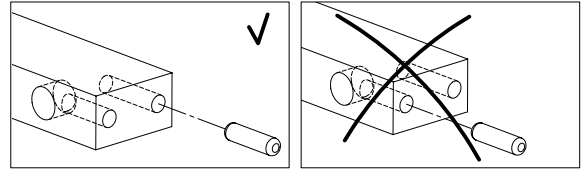
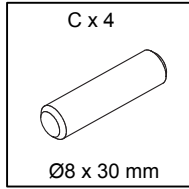
5



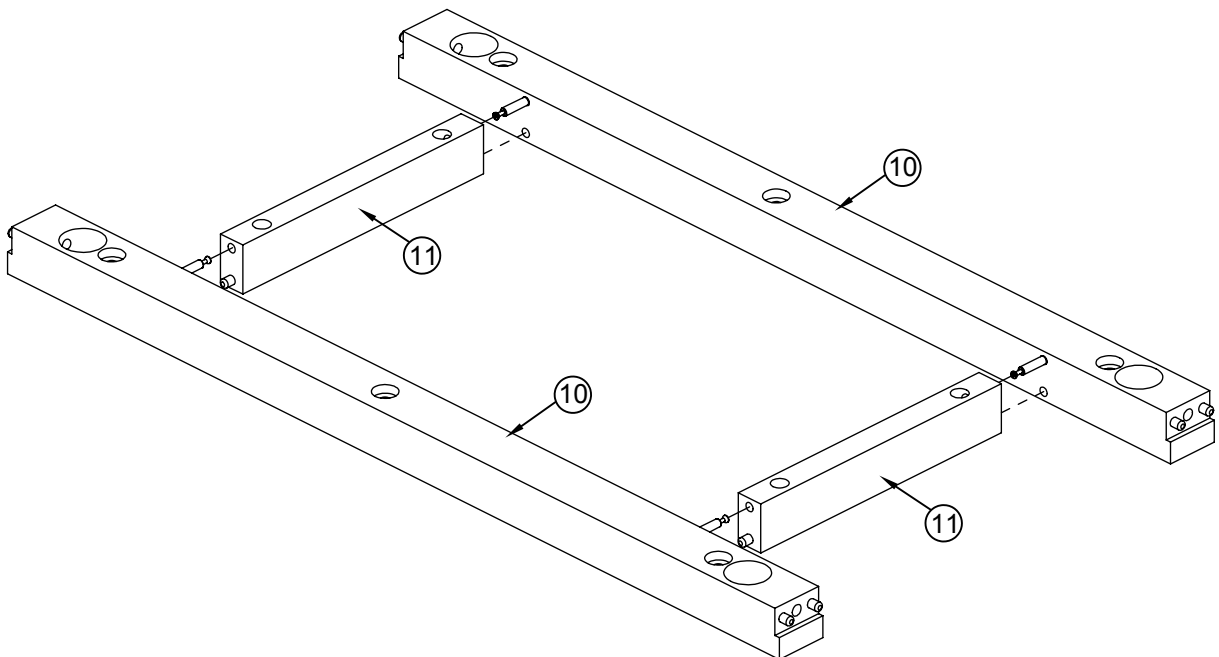
6



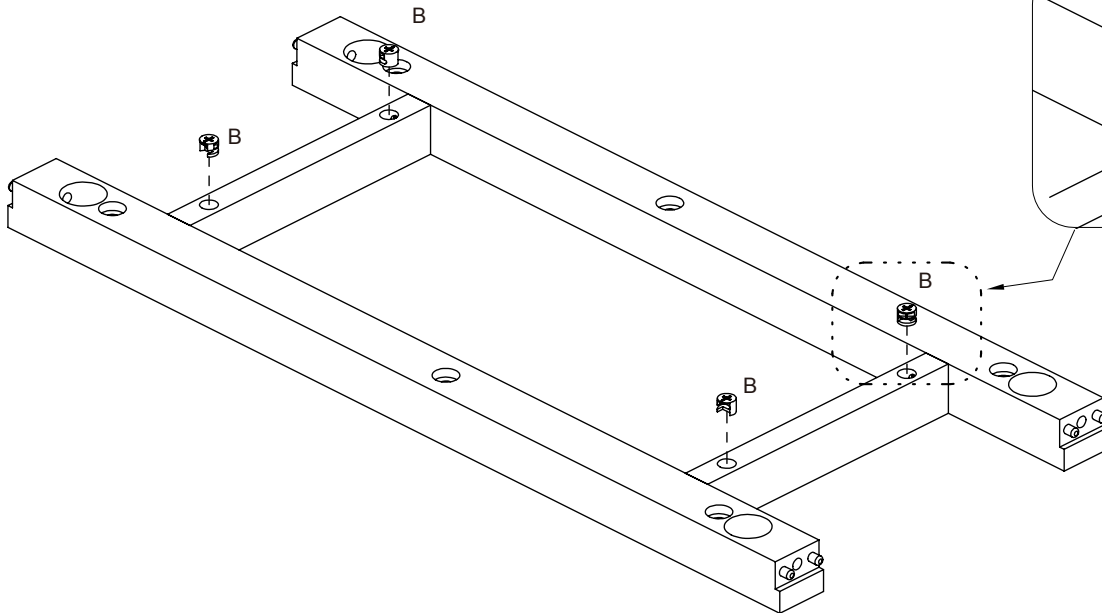
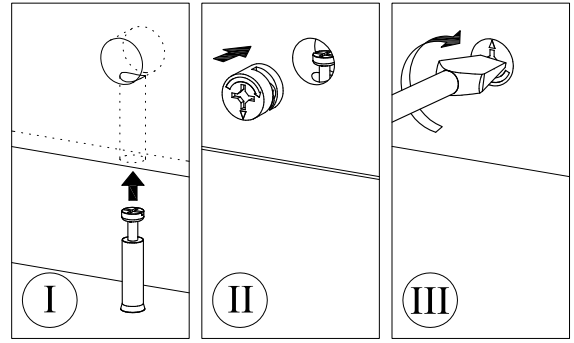
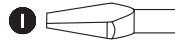
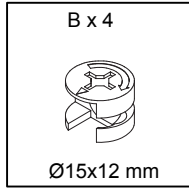
7



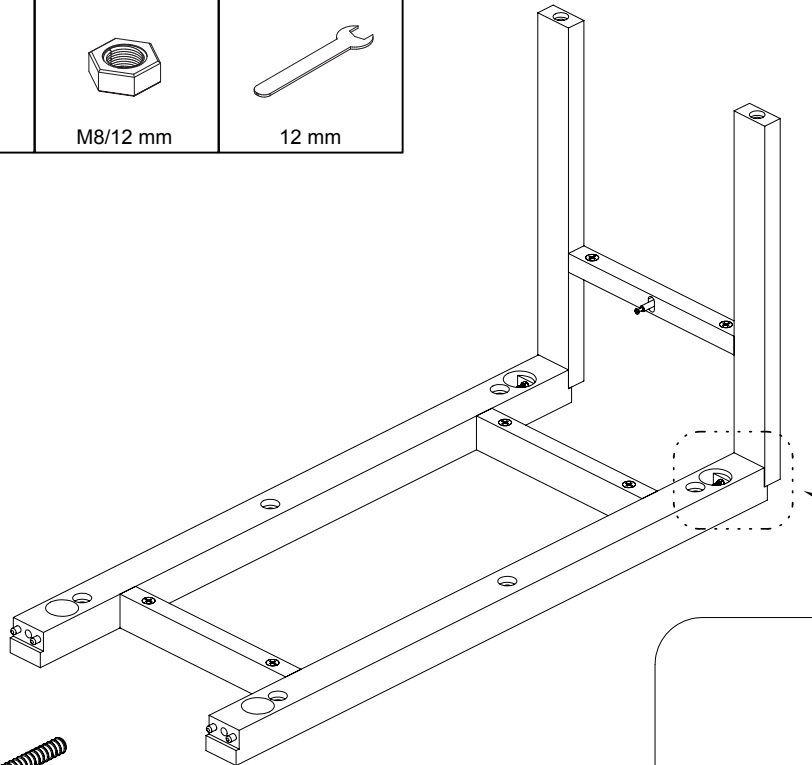
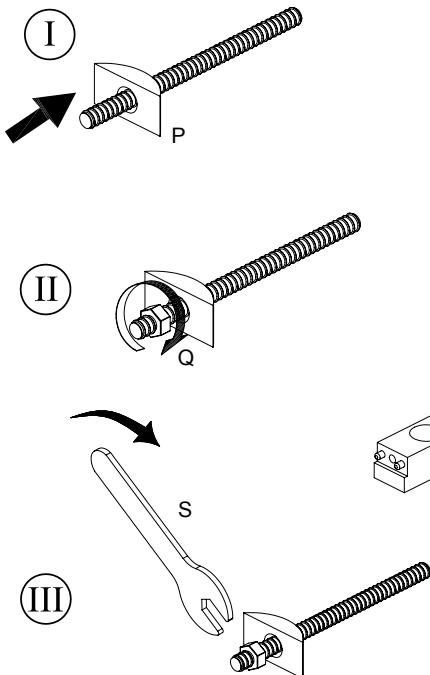
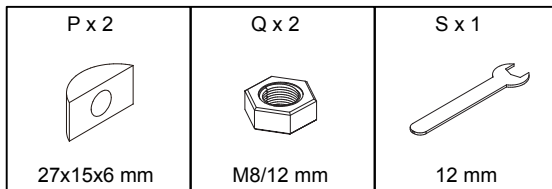
8



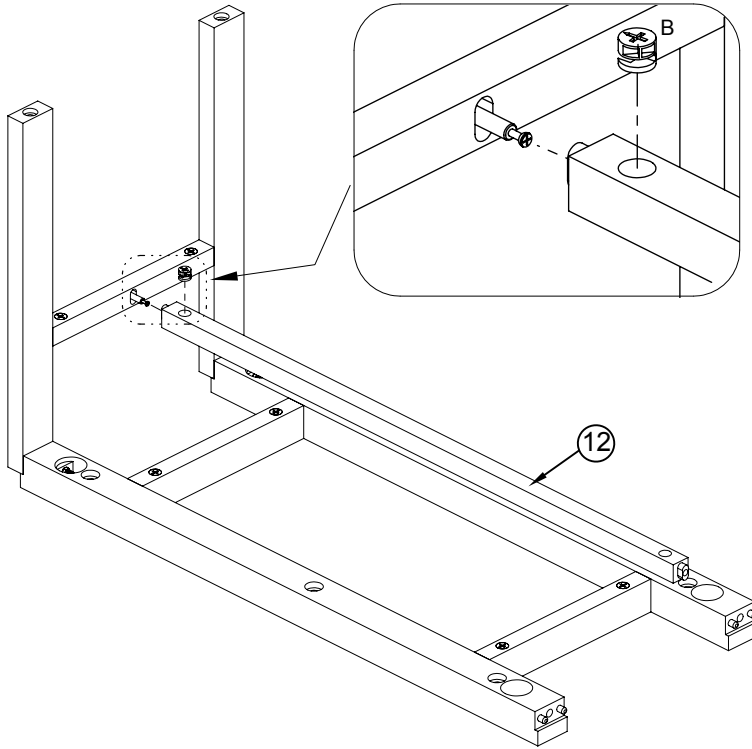
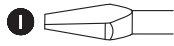
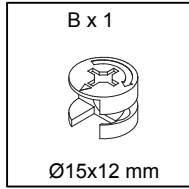
9



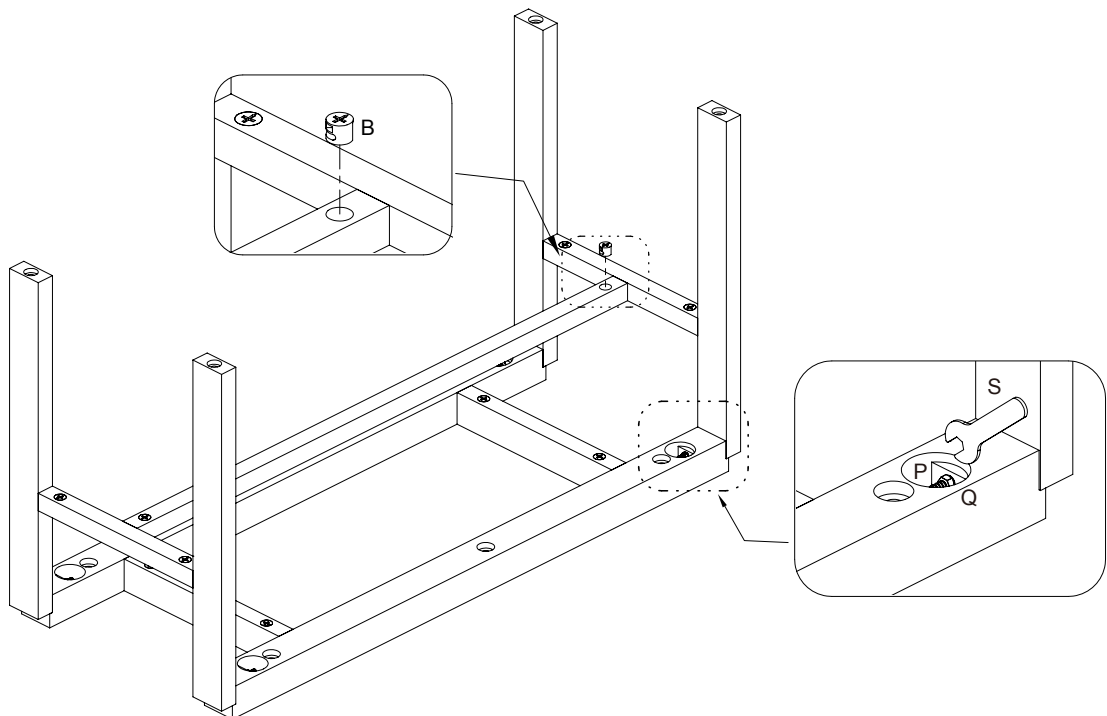
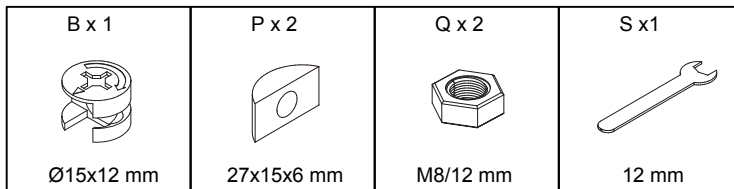
10



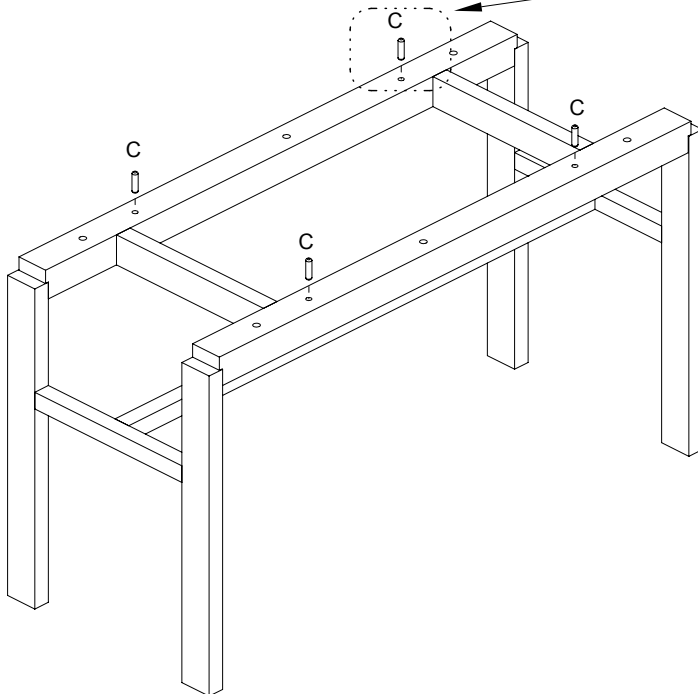
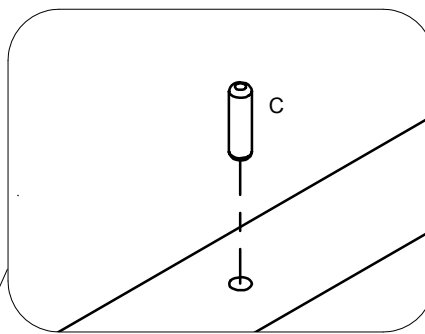
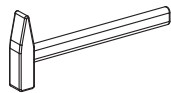
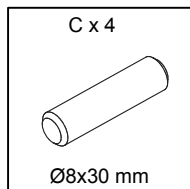
11



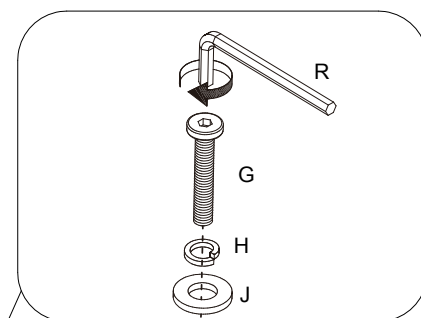
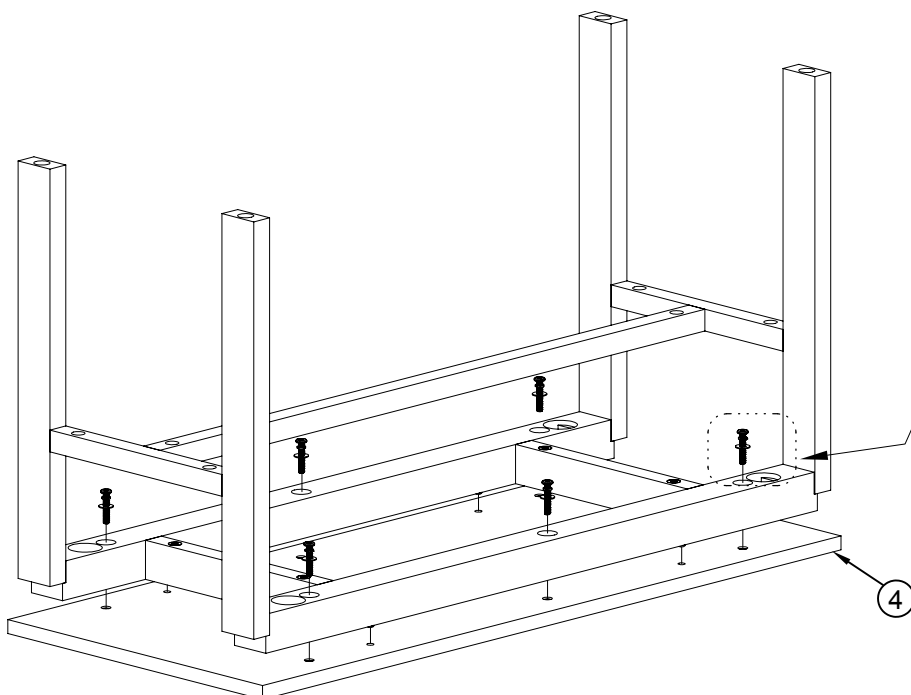
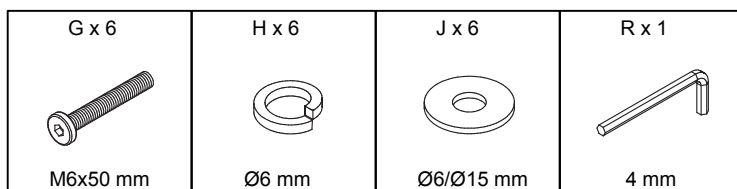
12



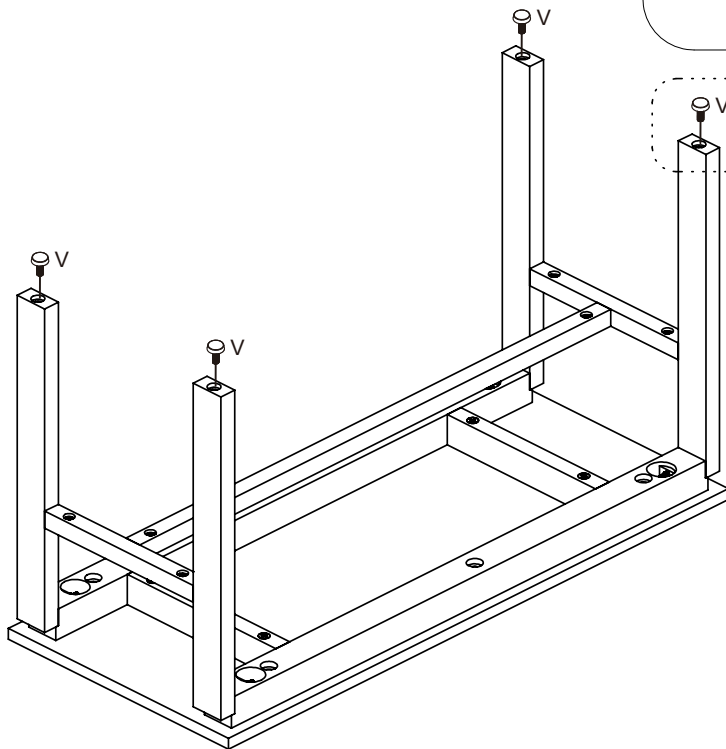
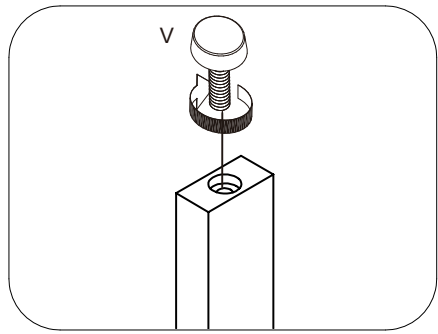
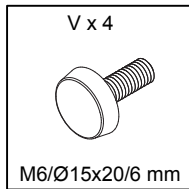
13



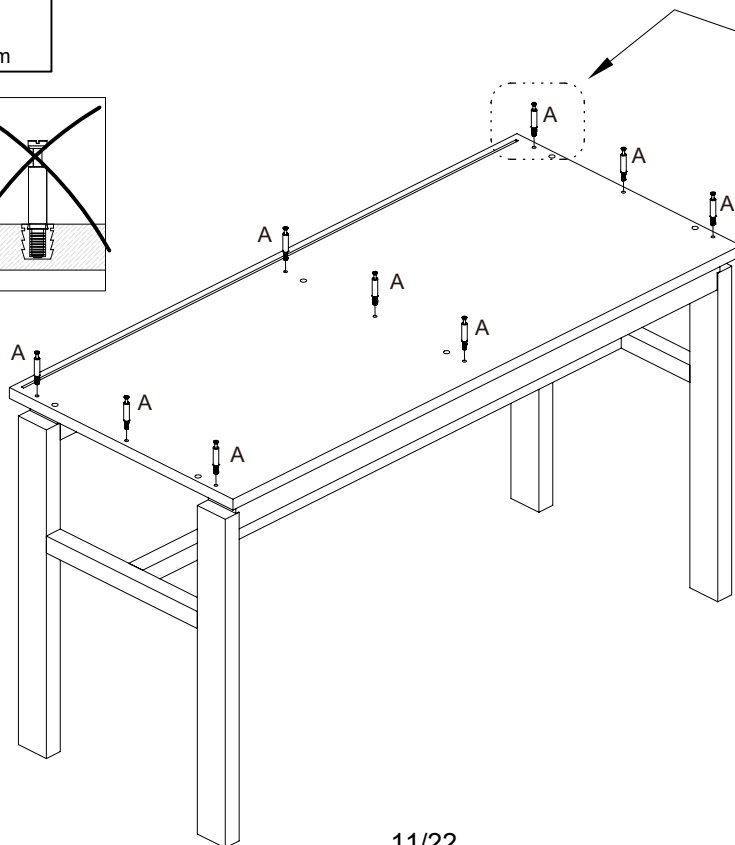
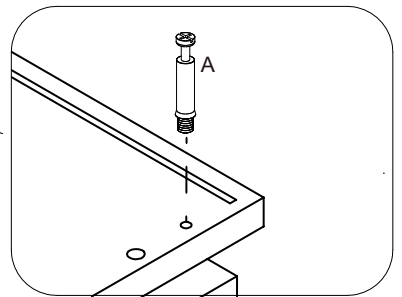
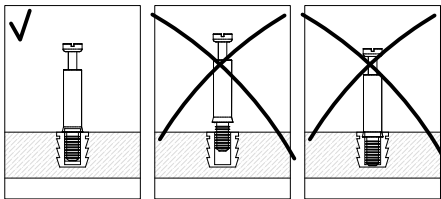
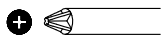
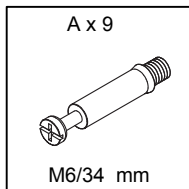
14



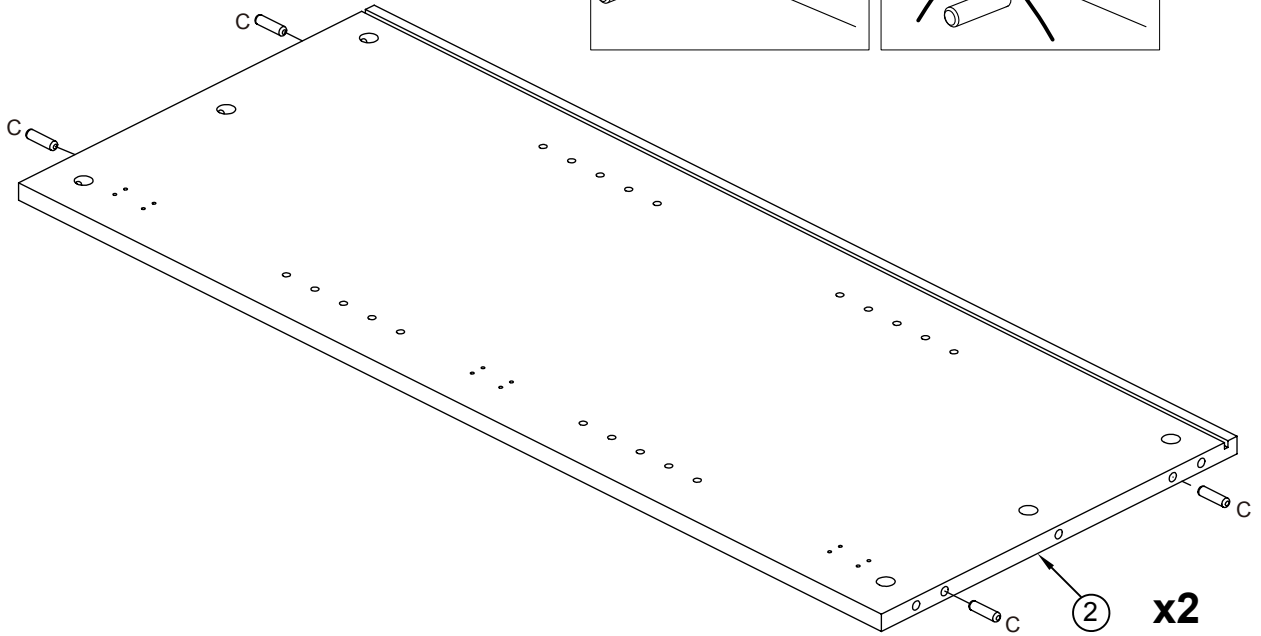
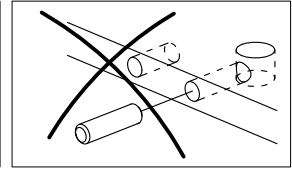
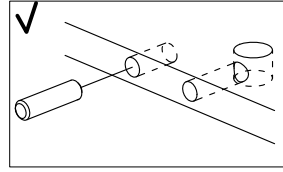
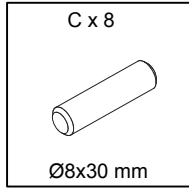
15



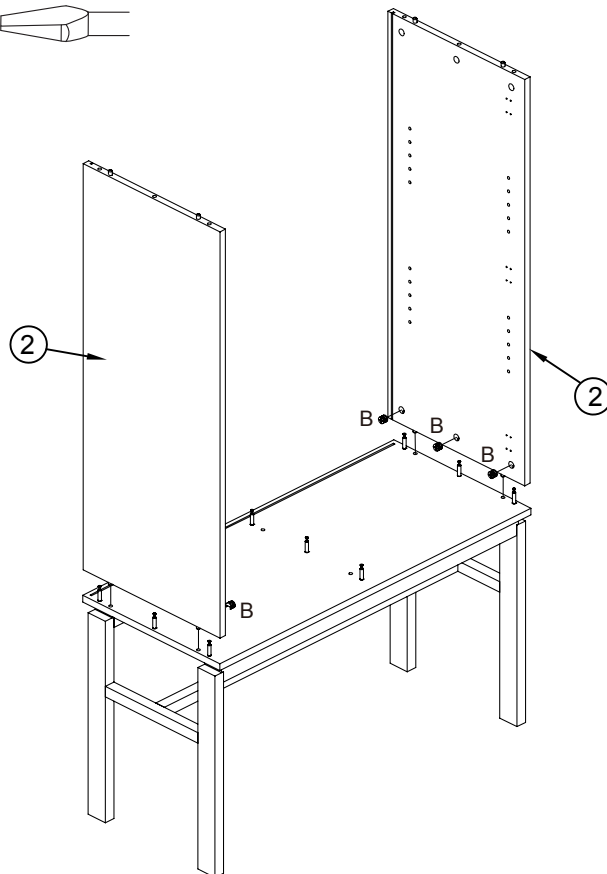
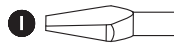
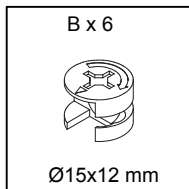
16



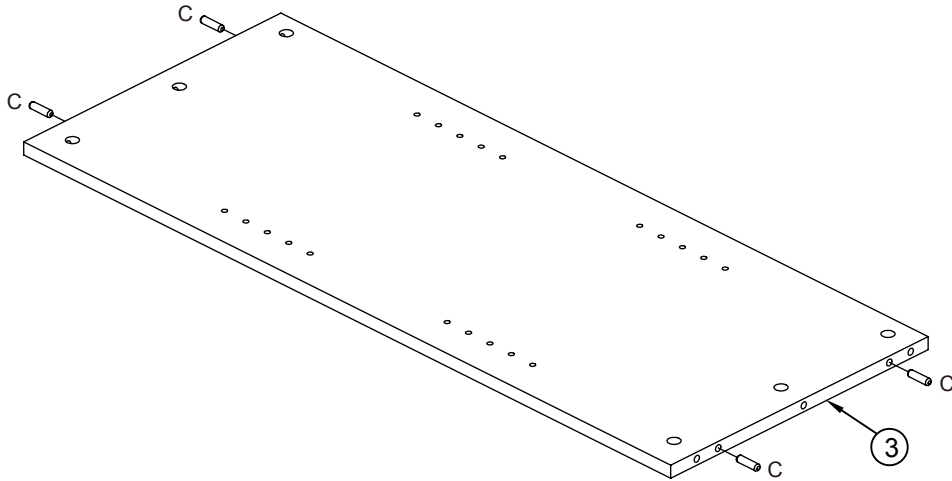
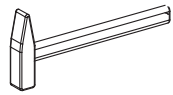
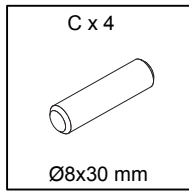
17



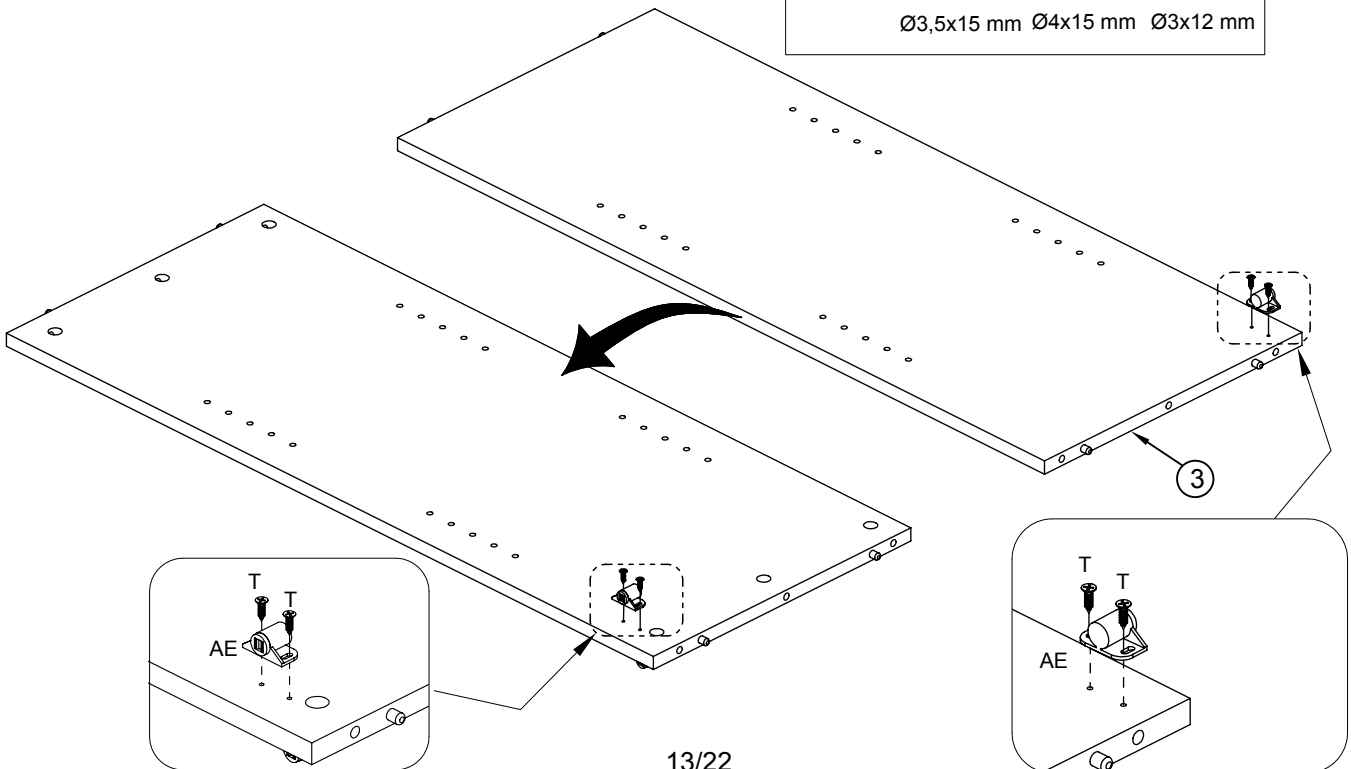
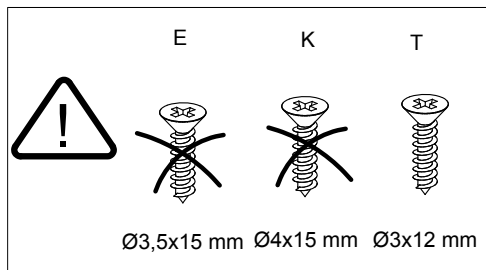
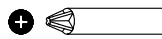
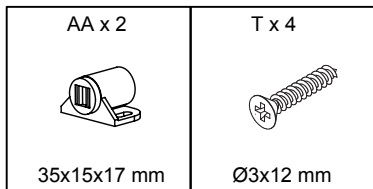
18



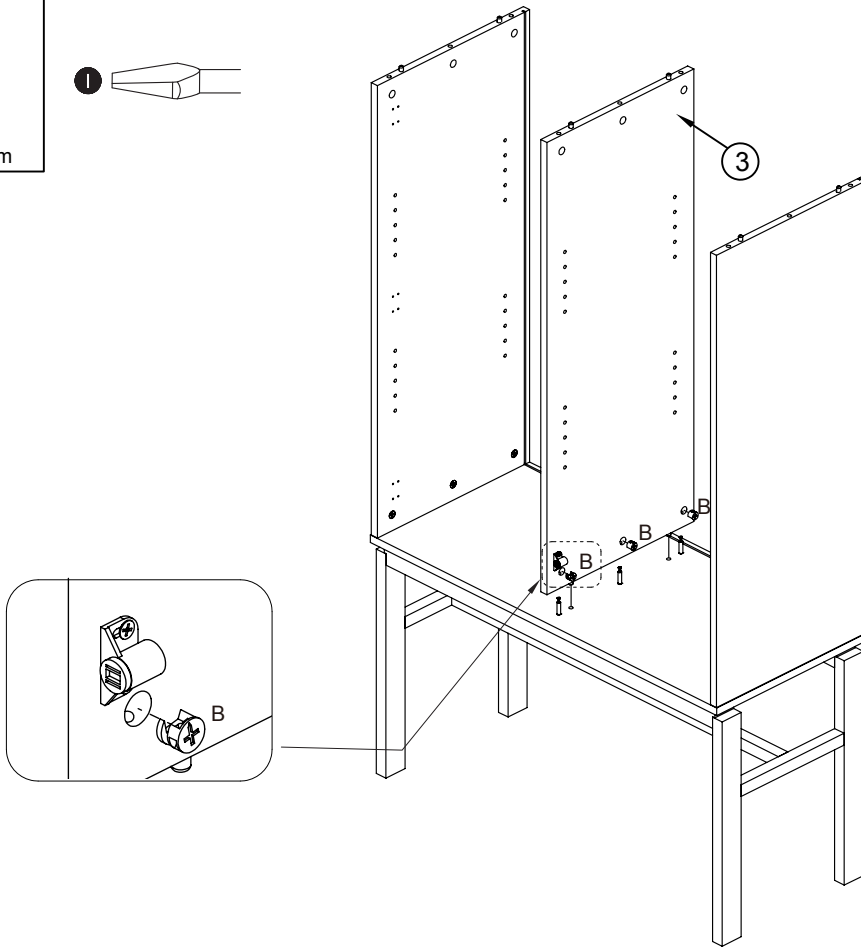
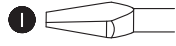
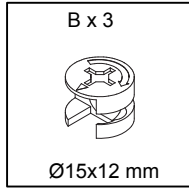
19



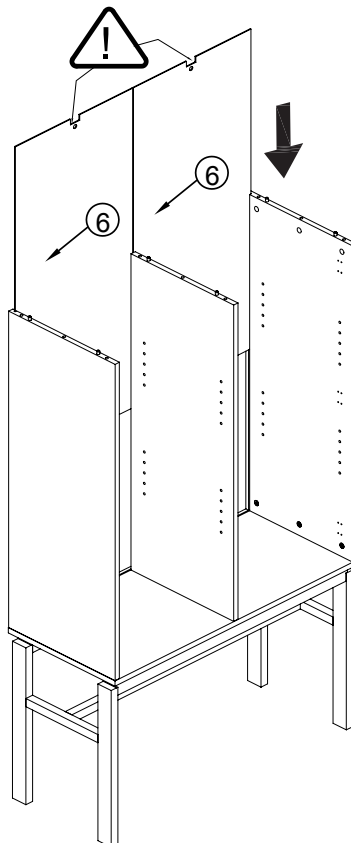
20



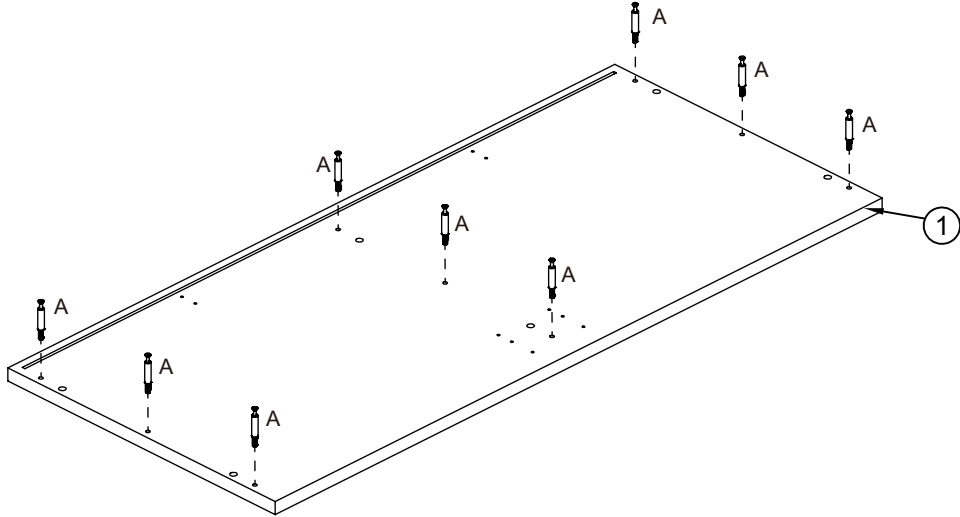
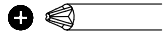
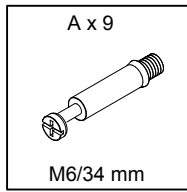
21



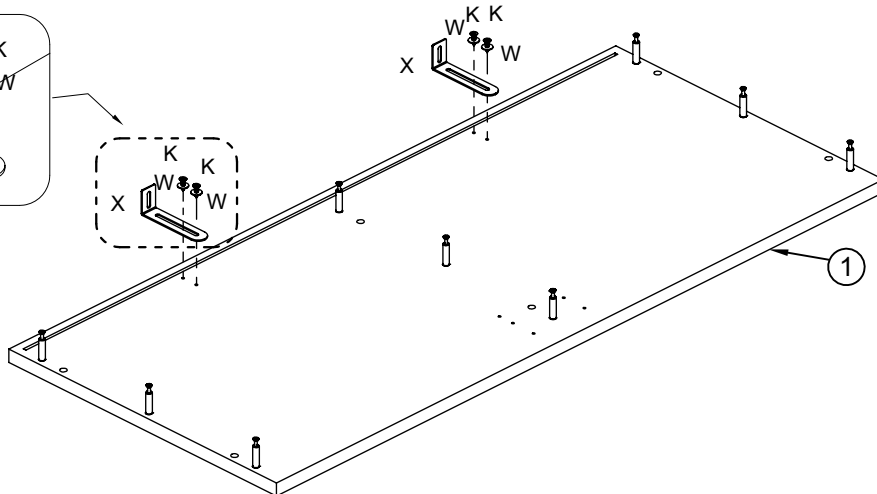
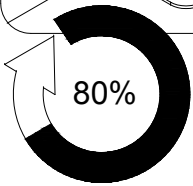
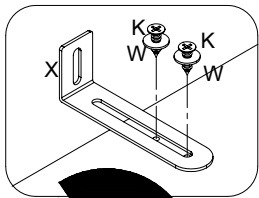
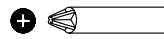
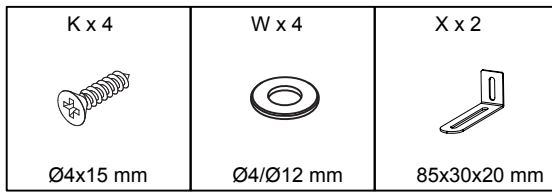
22



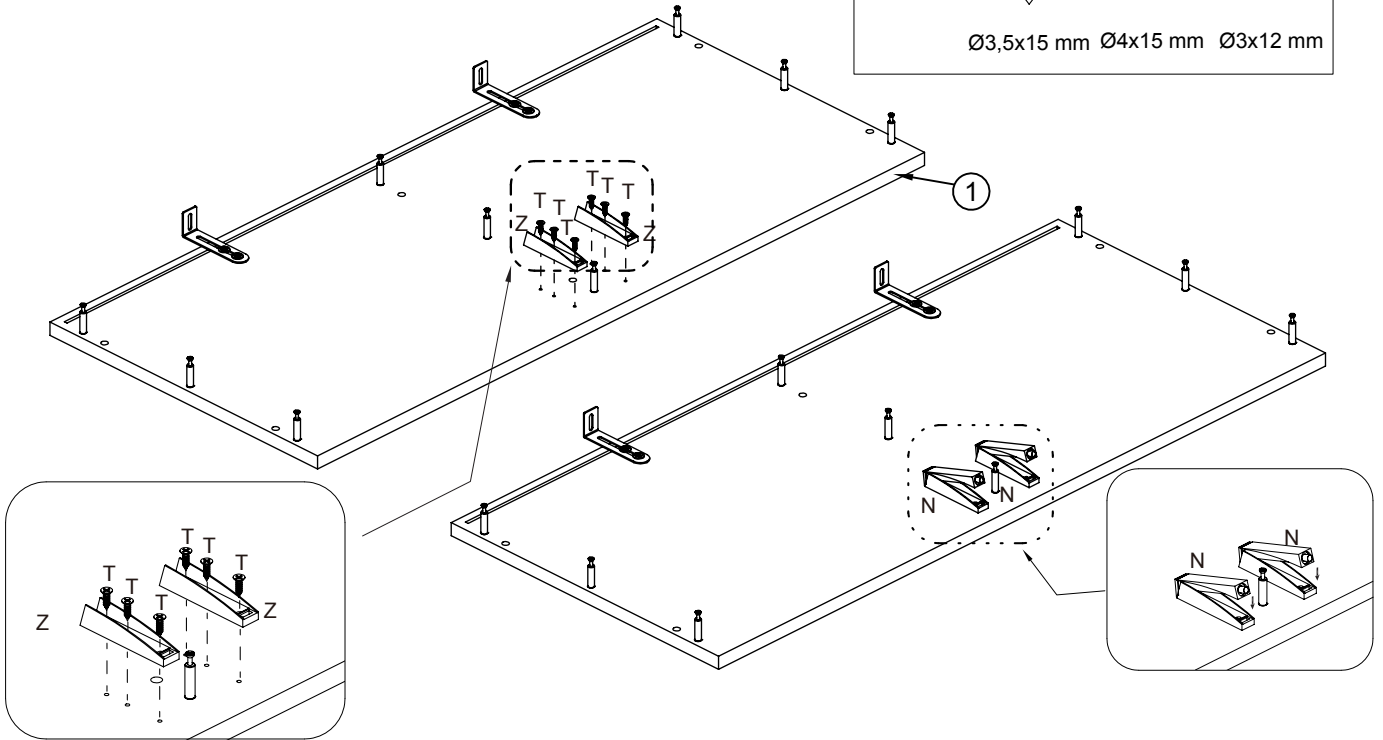
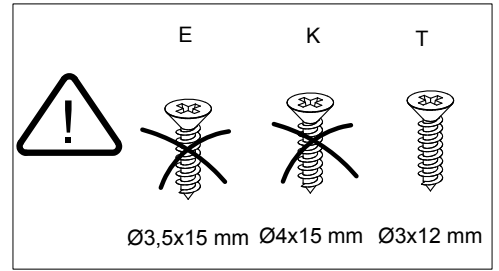
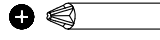
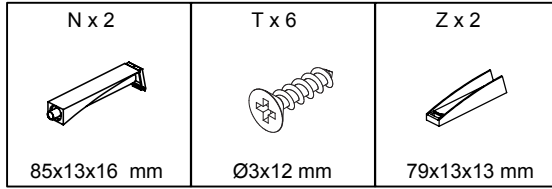
23



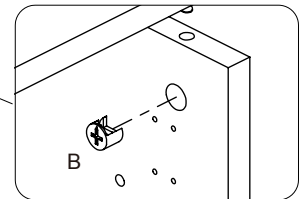
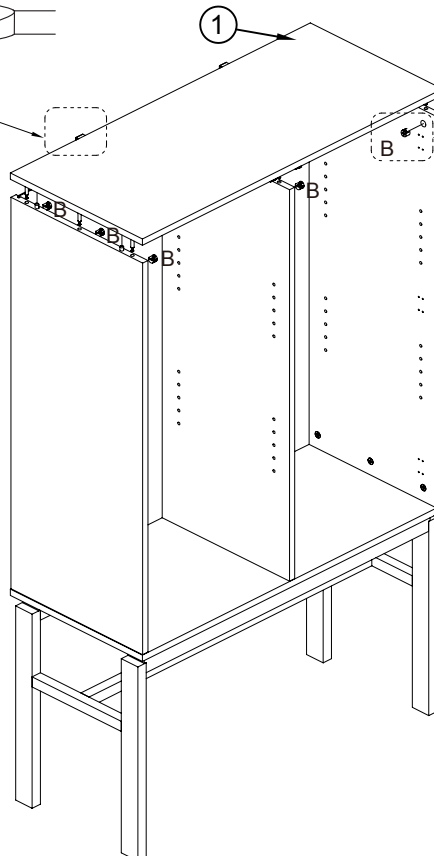
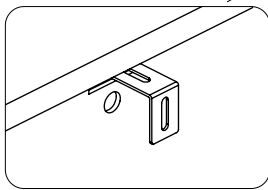
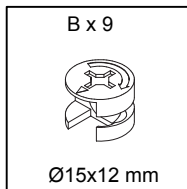
24



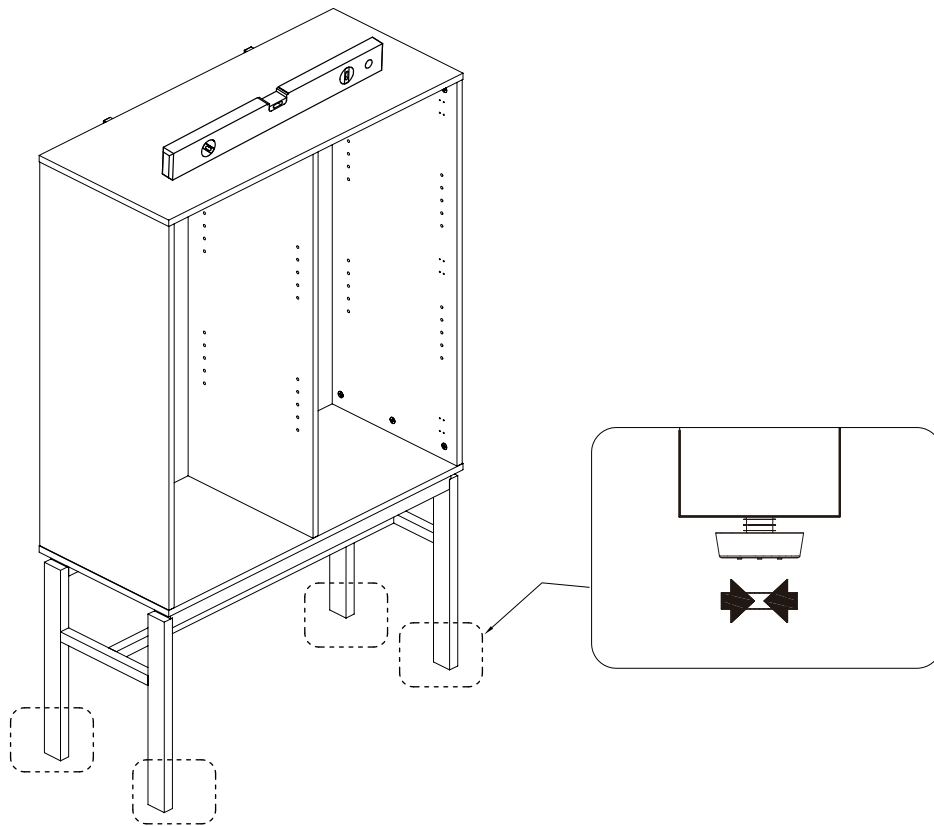
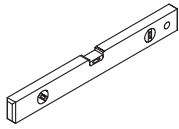
25



26

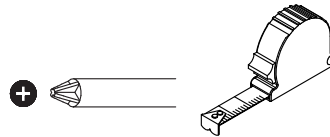


27

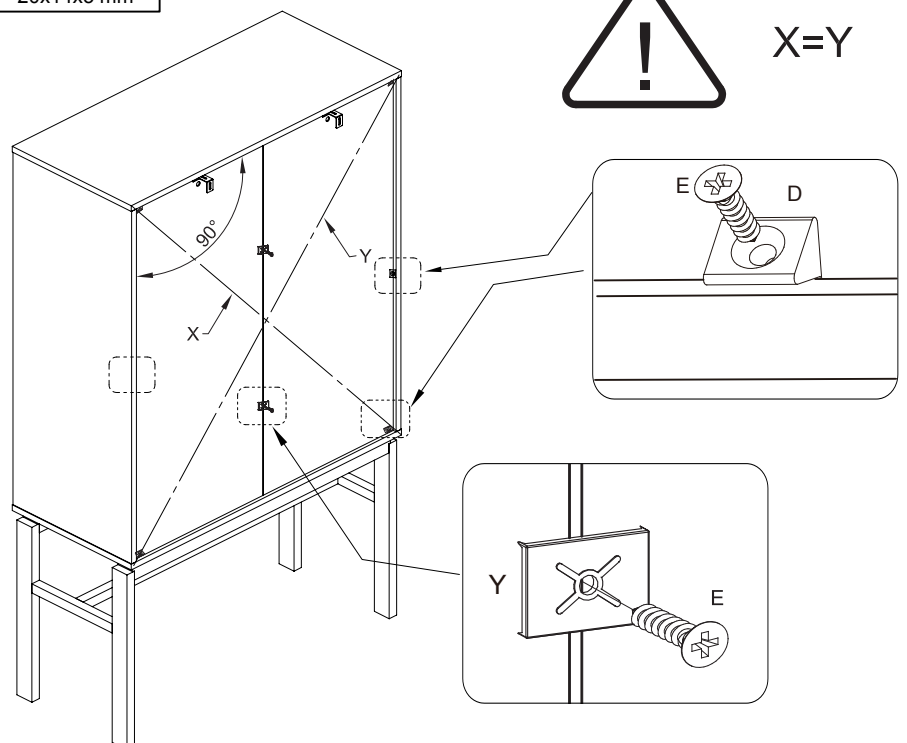
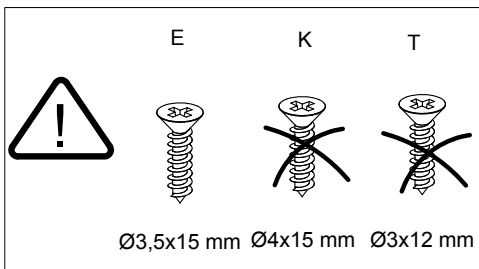


28

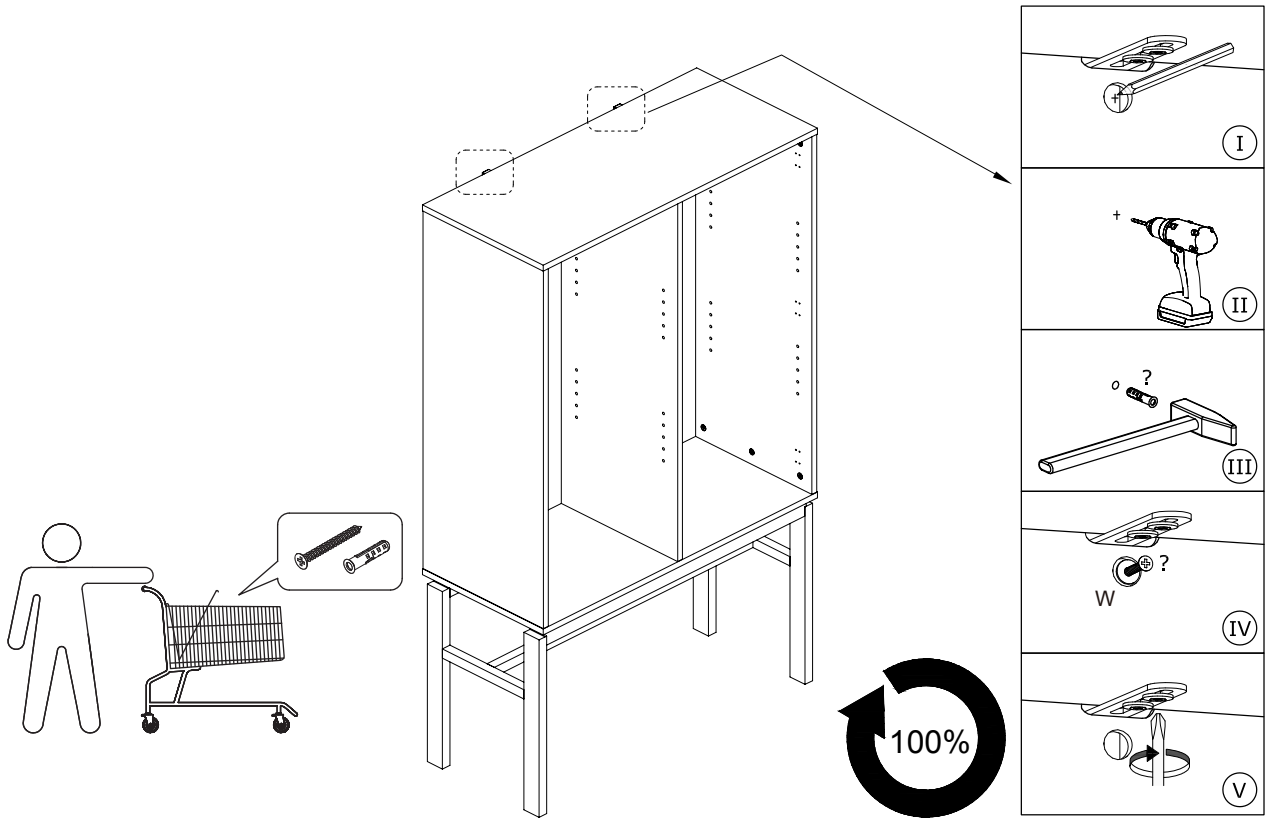
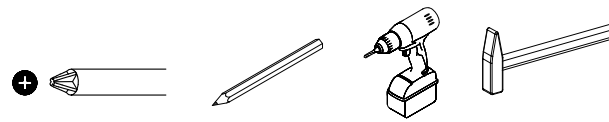
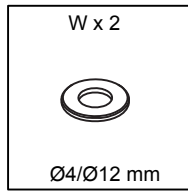
D x 6	E x 8	Y x 2
15x15 mm	Ø3,5x15 mm	20x14x3 mm



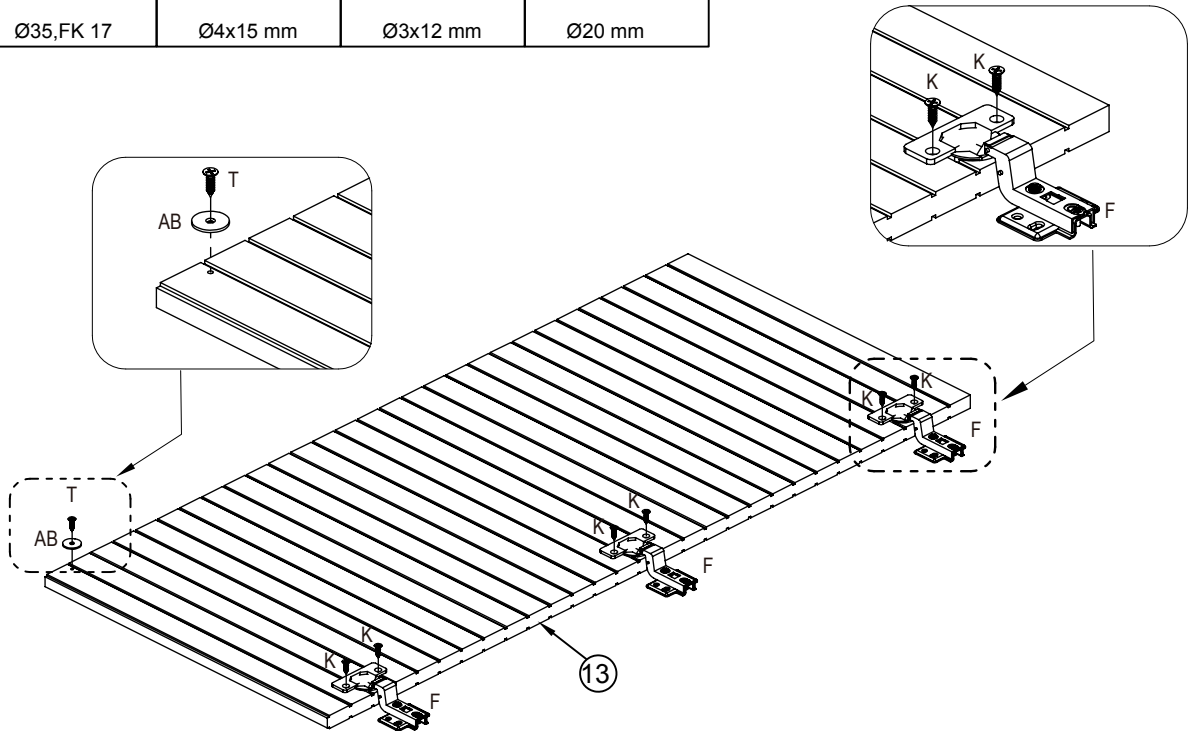
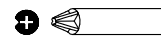
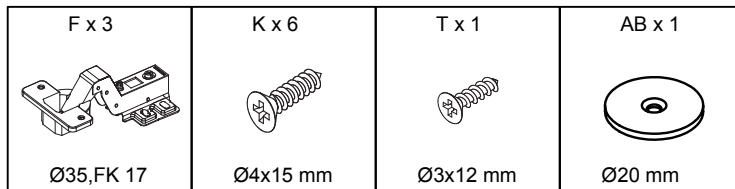
X=Y



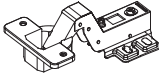



29

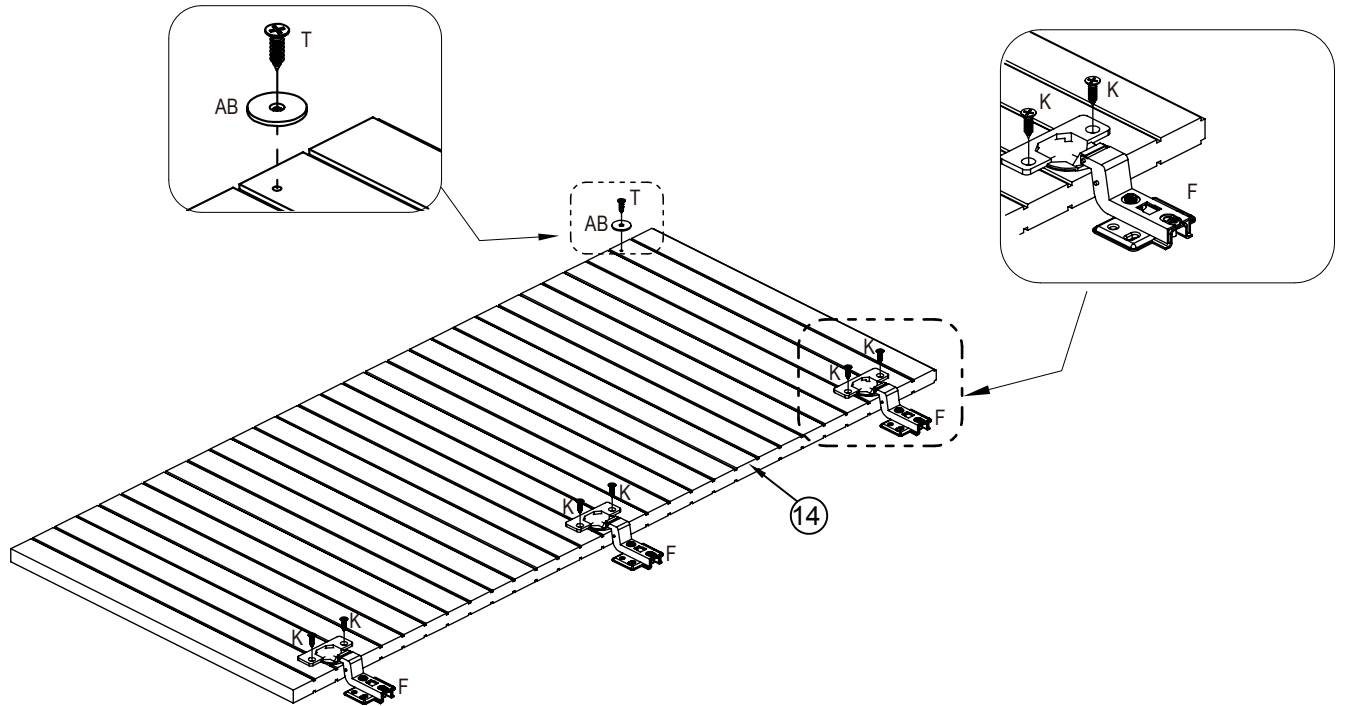
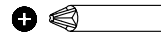


30




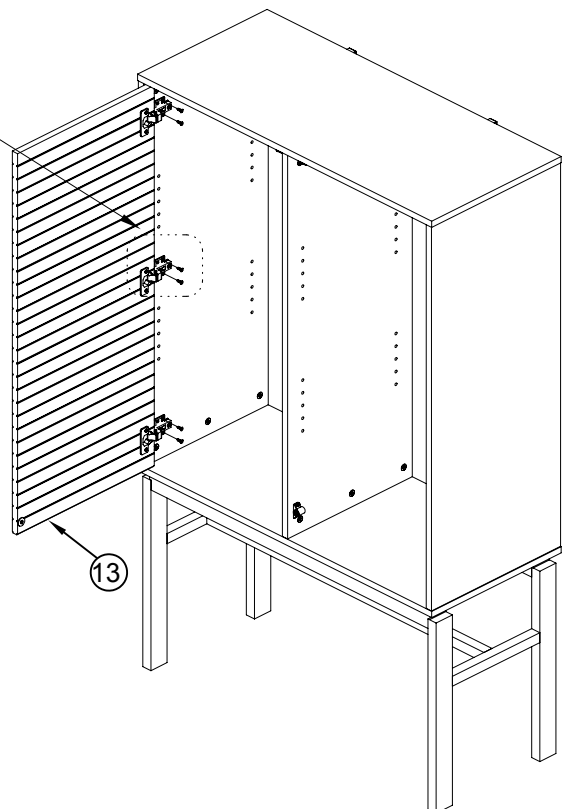
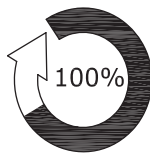
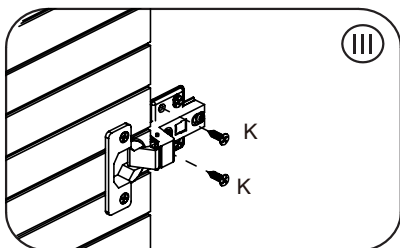
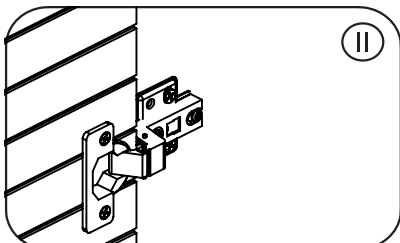
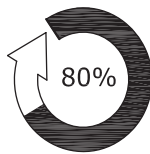
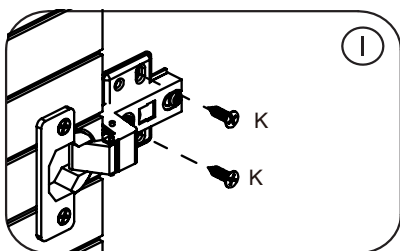
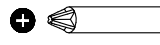
31

F x 3  Ø35, FK 17	K x 6  Ø4x15 mm	T x 1  Ø3x12 mm	AB x 1  Ø20 mm
--	--	--	---

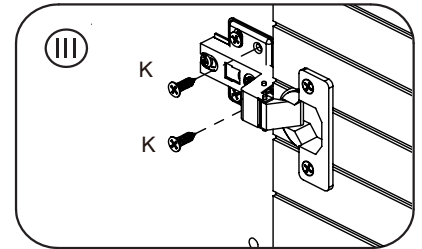
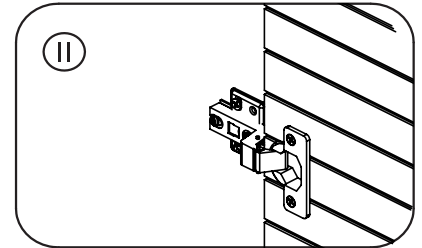
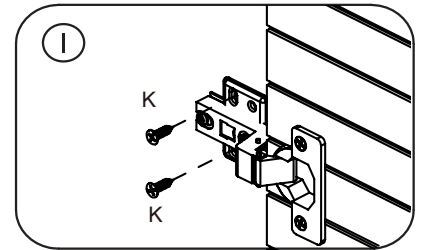
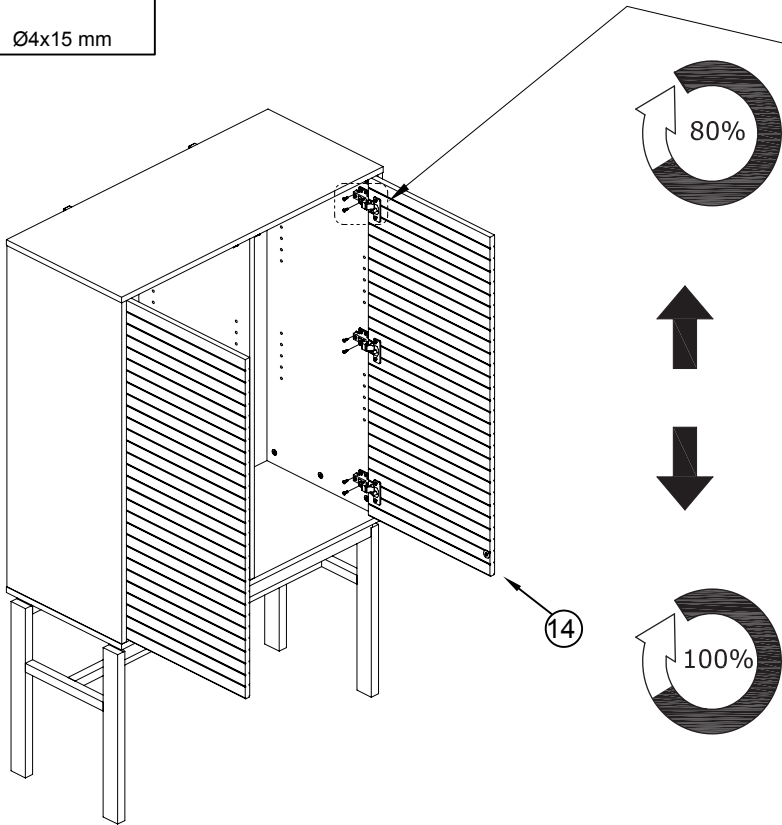
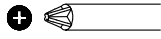
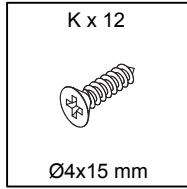


32

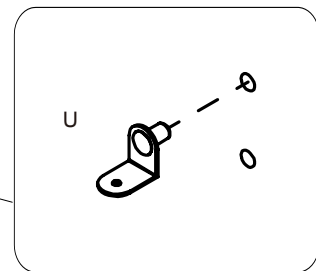
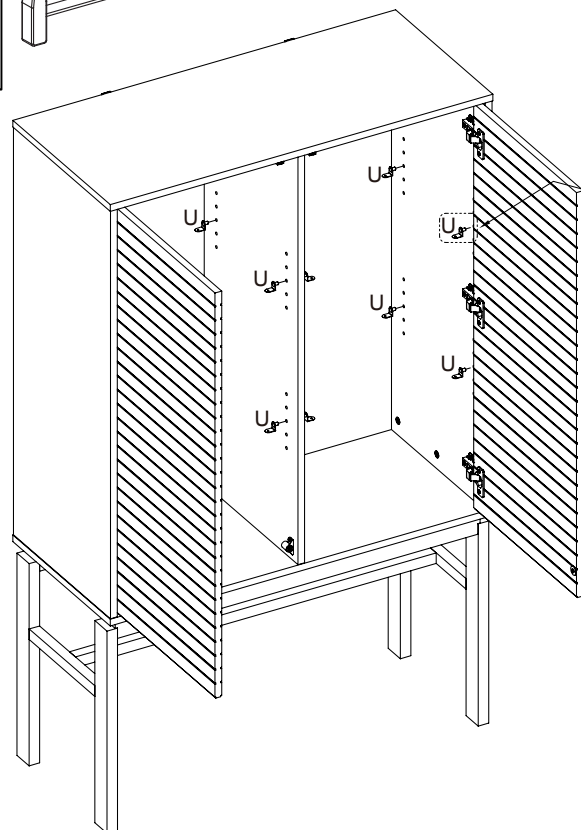
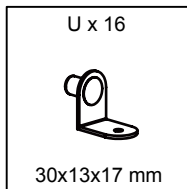
K x 12  Ø4x15 mm



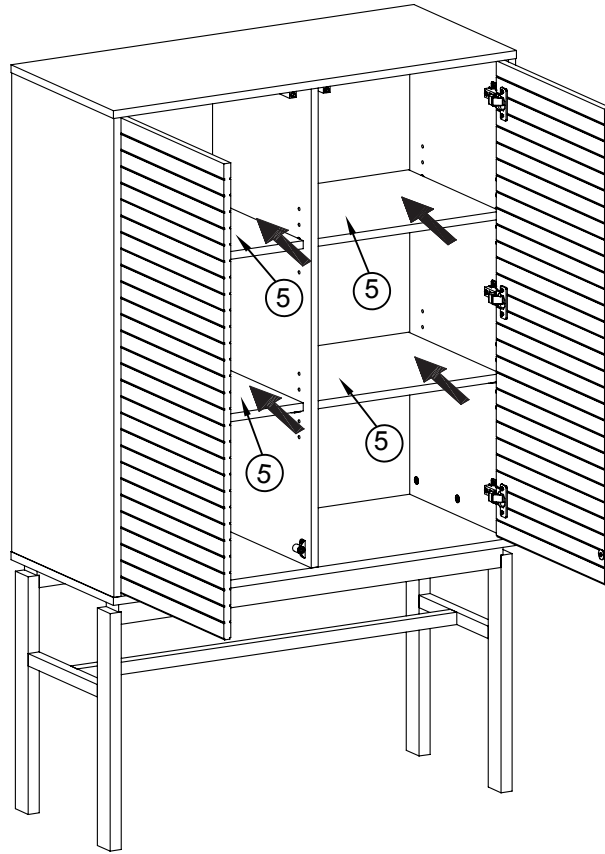
33



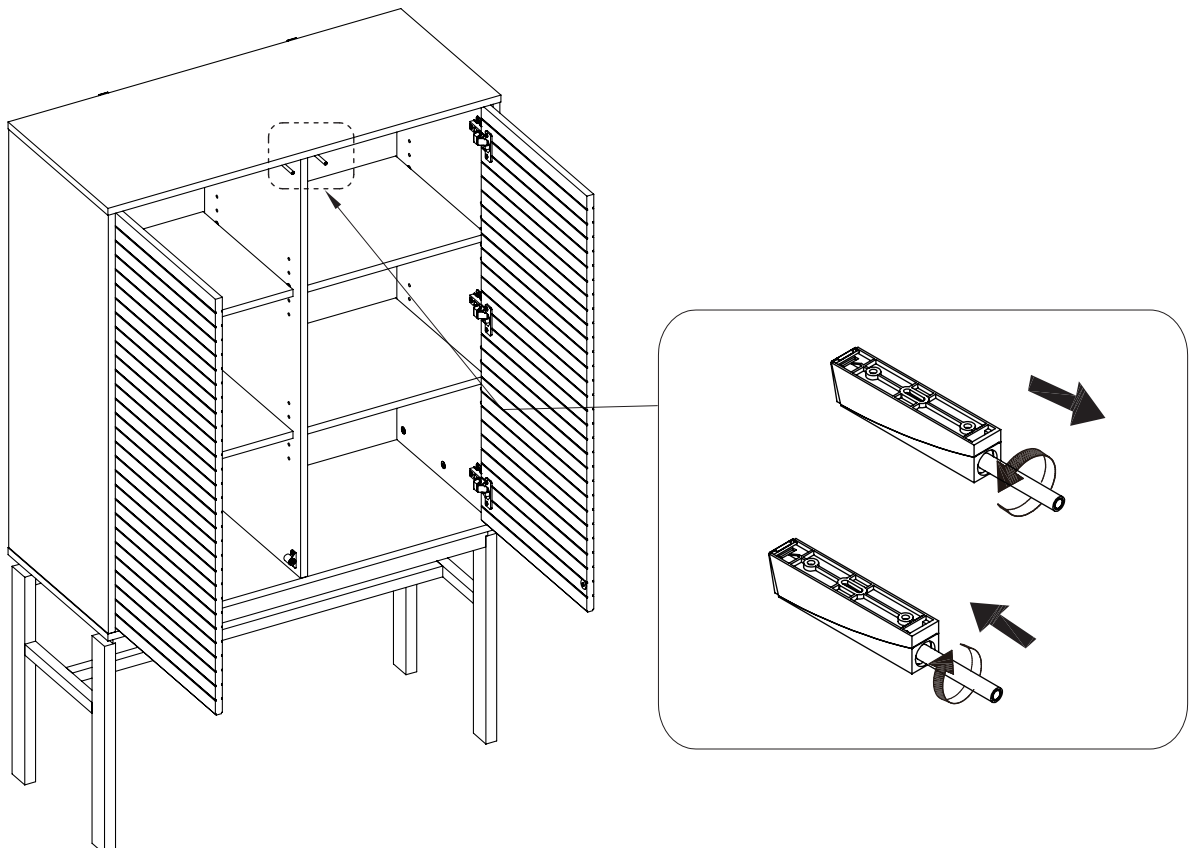
34



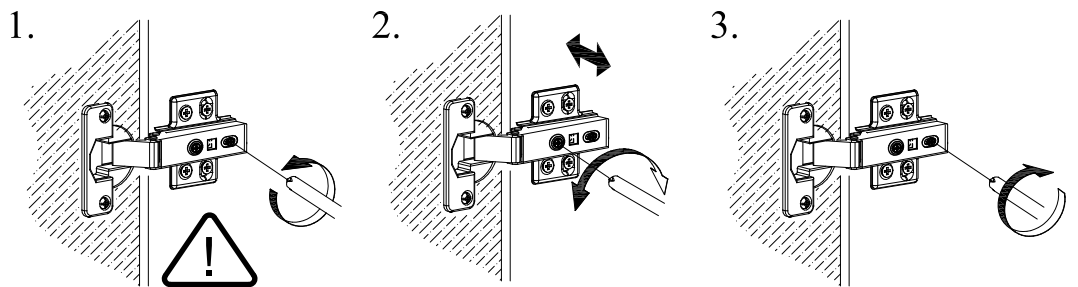
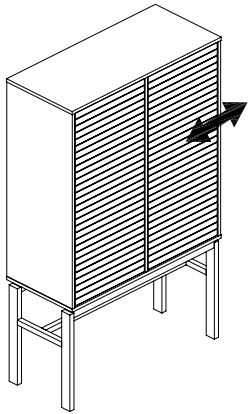
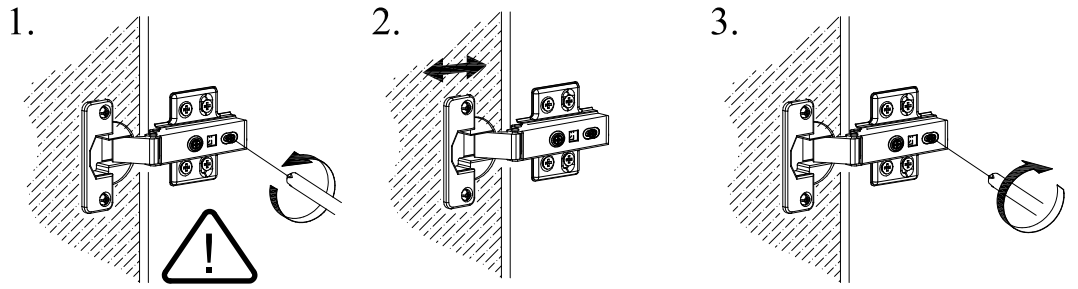
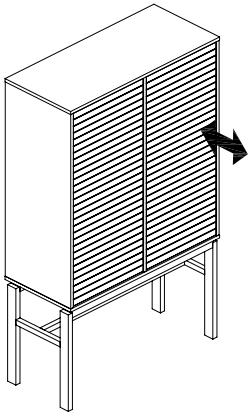
35



36



37



38

