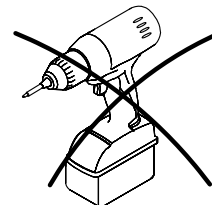
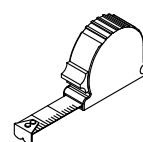
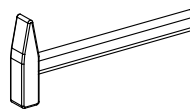
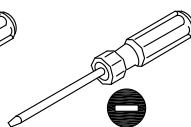
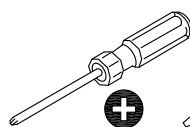
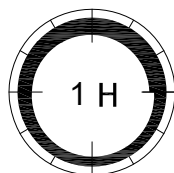
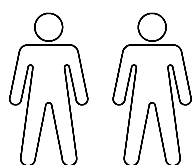
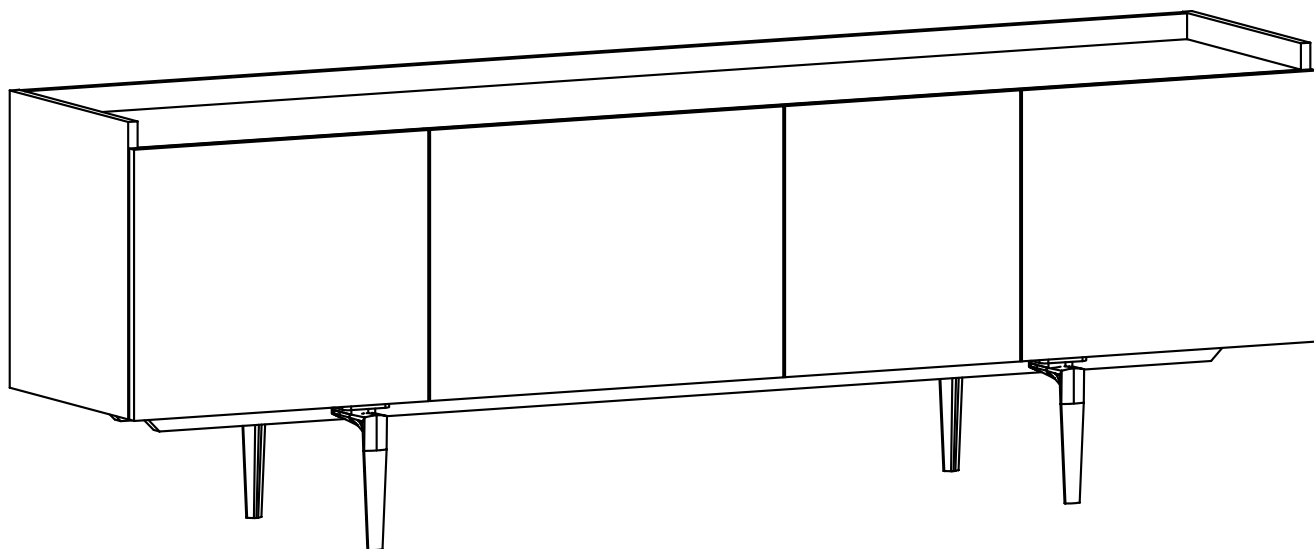
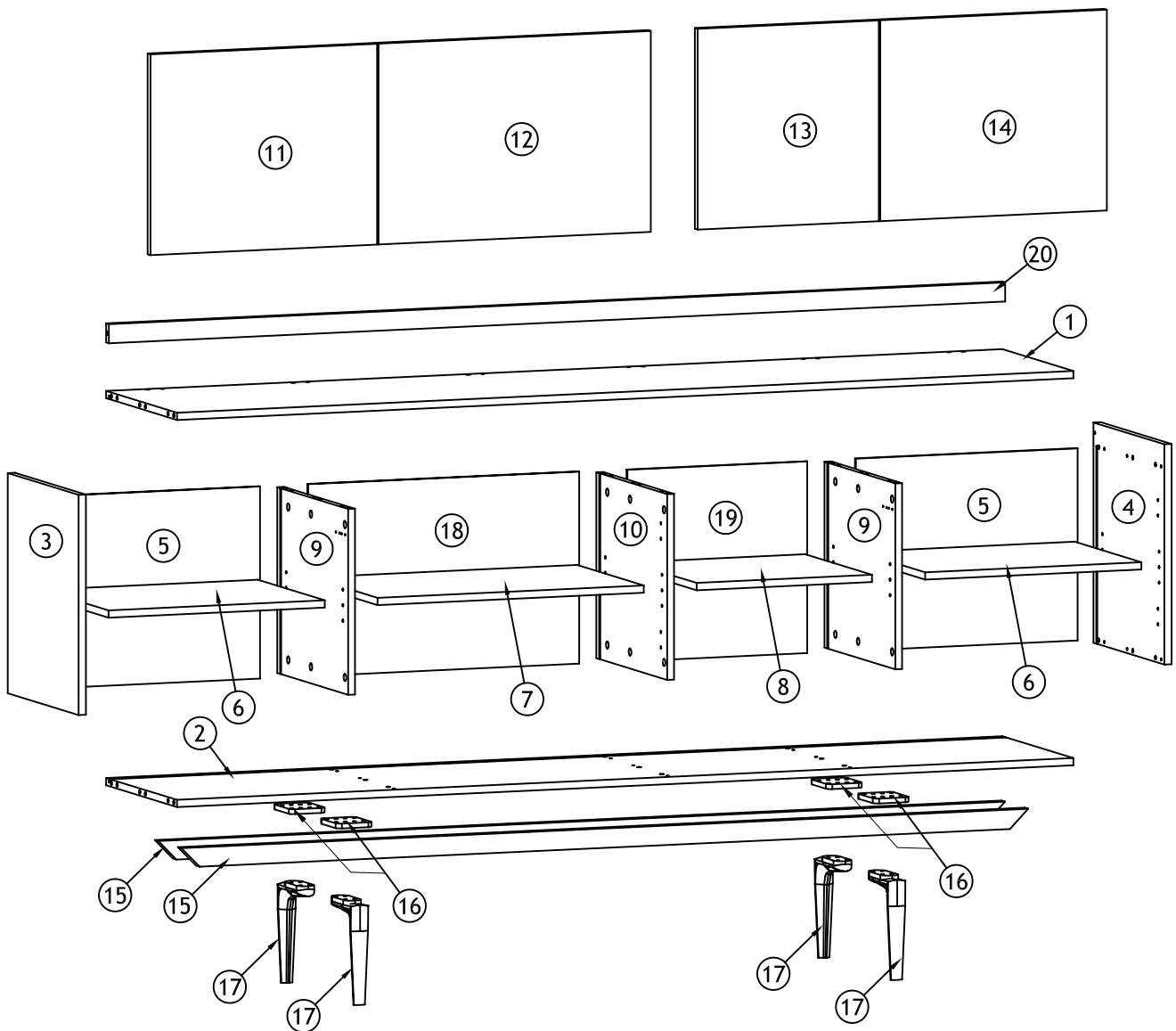


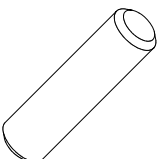
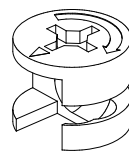
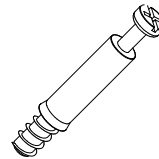
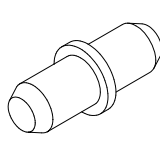

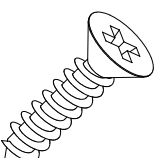
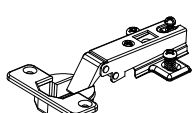

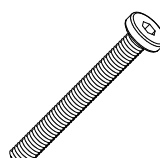

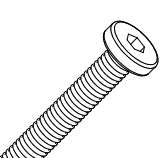
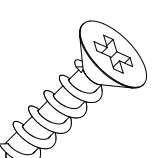
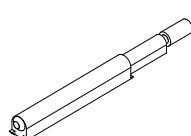
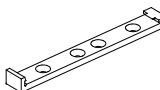
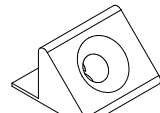
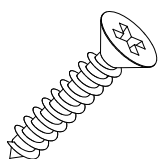
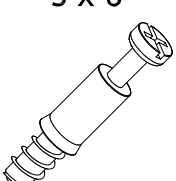

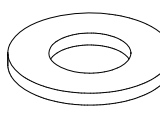
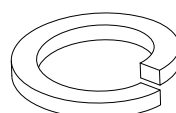
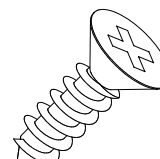
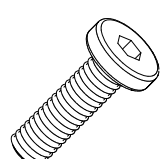
# CONNECT



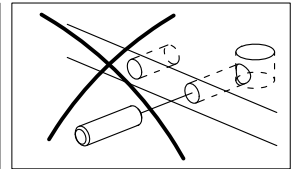
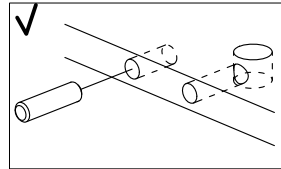
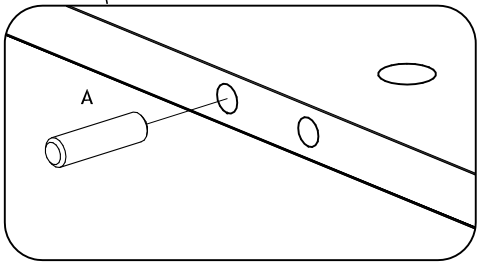
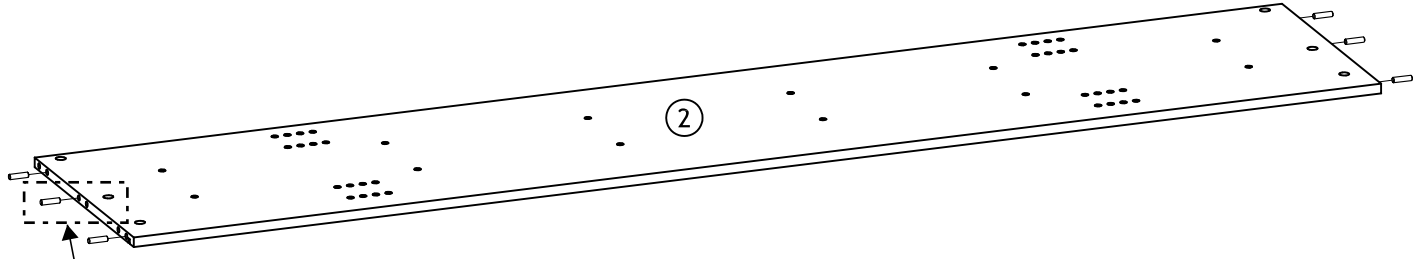
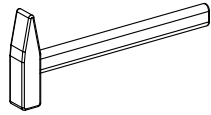
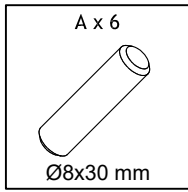
			✓
①	1	1969 x 400 x 15	
②	1	1969 x 400 x 15	
③	1	454 x 400 x 16	
④	1	454 x 400 x 16	
⑤	2	487 x 396 x 5	
⑥	2	475 x 377 x 15	
⑦	1	585 x 377 x 15	
⑧	1	385 x 377 x 15	
⑨	2	400 x 383 x 15	
⑩	1	400 x 383 x 15	

			✓
⑪	1	498 x 414 x 16	
⑫	1	598 x 414 x 16	
⑬	1	398 x 414 x 16	
⑭	1	498 x 414 x 16	
⑮	2	1860 x 40 x 20	
⑯	4	100 x 78 x 10	
⑰	4	212 x 128 x 38	
⑱	1	595 x 396 x 5	
⑲	1	395 x 395 x 5	
⑳	1	1969 x 39,5 x 16	

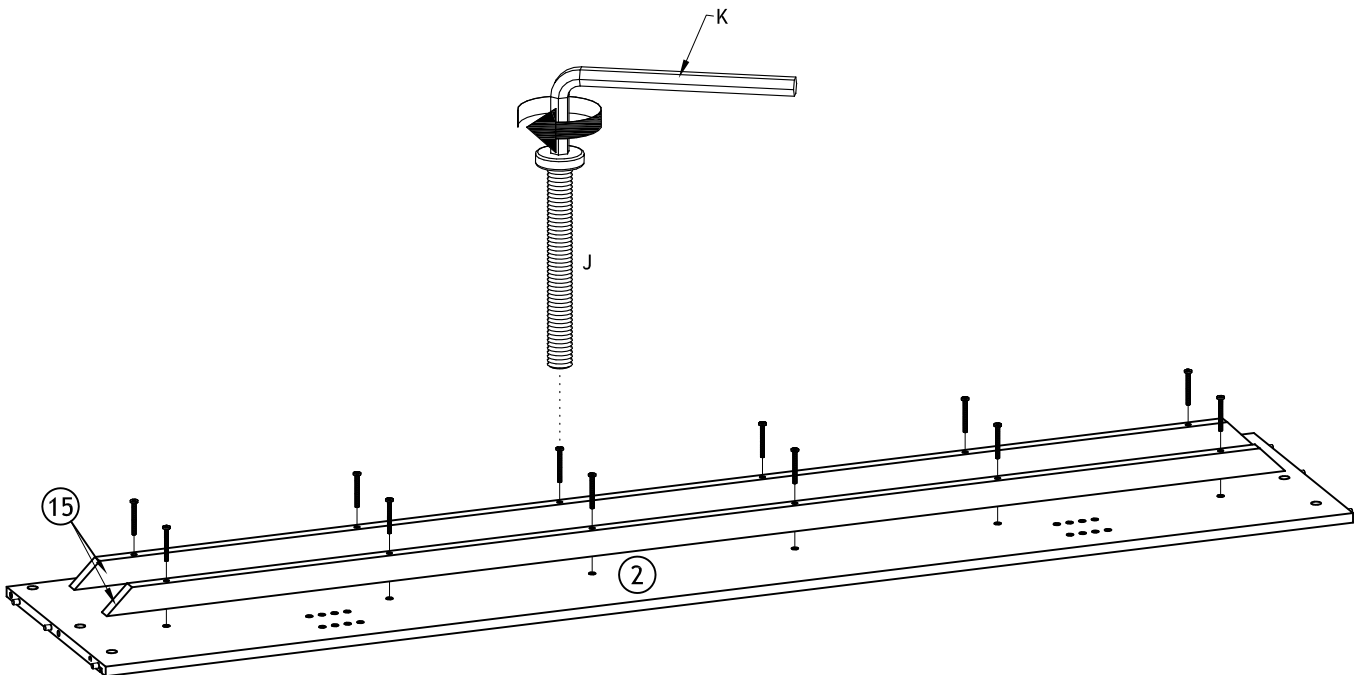
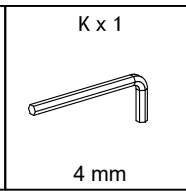
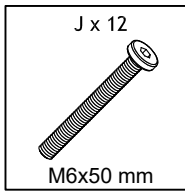


<p>A x 36</p>  <p>Ø8x30 mm</p>	<p>B x 38</p>  <p>Ø15x12 mm</p>	<p>C x 32</p>  <p>Ø6,1/34 mm</p>	<p>D x 16</p>  <p>Ø5/Ø5 mm</p>	<p>E x 4</p>  <p>Ø16x0,8 mm</p>
<p>F x 16</p>  <p>Ø3,5x15 mm</p>	<p>G x 4</p>  <p>Ø35/FK 0 mm</p>	<p>H x 4</p>  <p>Ø35/FK 9 mm</p>	<p>J x 12</p>  <p>M6x50 mm</p>	<p>K x 1</p>  <p>4 mm</p>
<p>L x 16</p>  <p>M6x35 mm</p>	<p>M x 4</p>  <p>Ø3x12 mm</p>	<p>N x 4</p>  <p>122/82 mm</p>	<p>P x 4</p>  <p>83x10 mm</p>	<p>Q x 16</p>  <p>15x15 mm</p>
<p>R x 16</p>  <p>Ø3,5x18 mm</p>	<p>S x 6</p>  <p>Ø6,1/24 mm</p>	<p>T x 4</p>  <p>Ø10x3 mm</p>	<p>U x 16</p>  <p>Ø6/Ø12 mm</p>	<p>V x 16</p>  <p>Ø6 mm</p>
<p>W x 16</p>  <p>Ø3,5x12 mm</p>	<p>X x 16</p>  <p>M6x20 mm</p>			







1

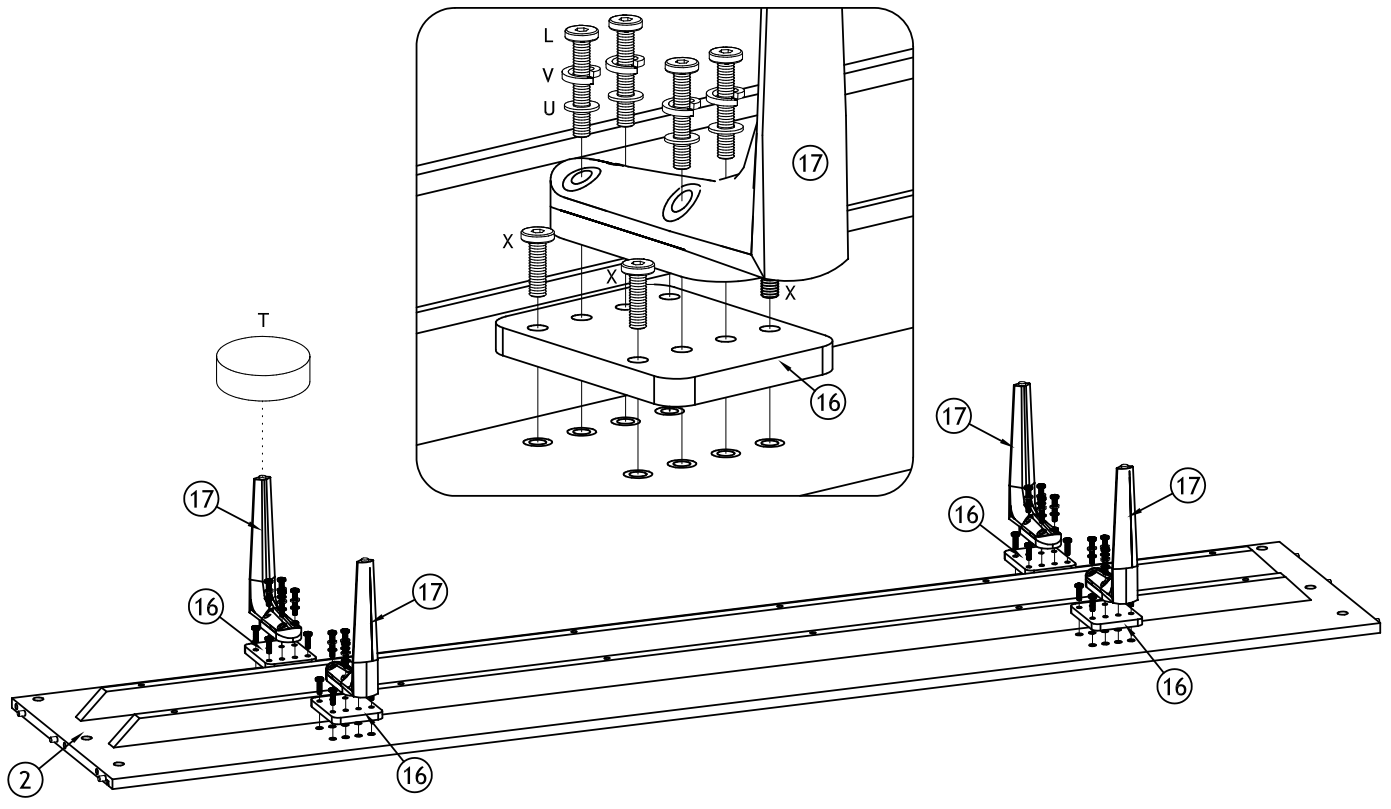


2

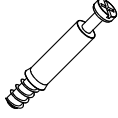


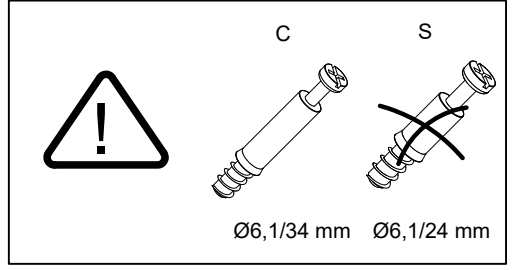
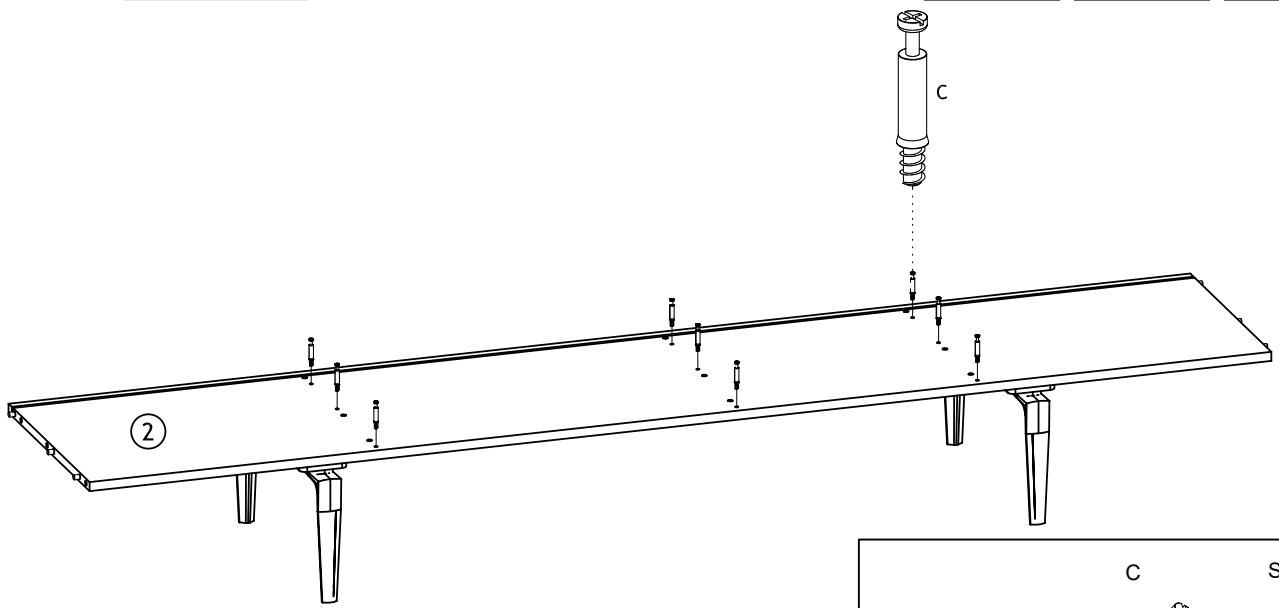
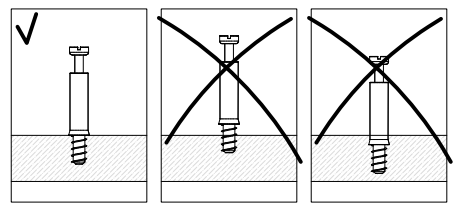
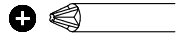
# 3

K x 1  4 mm	L x 16  M6x35 mm	T x 4  Ø10x3 mm	U x 16  Ø6/Ø12 mm	V x 16  Ø6 mm	X x 16  M6x20 mm
--	---	--	--	---	---

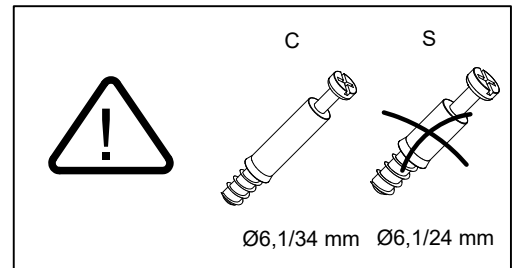
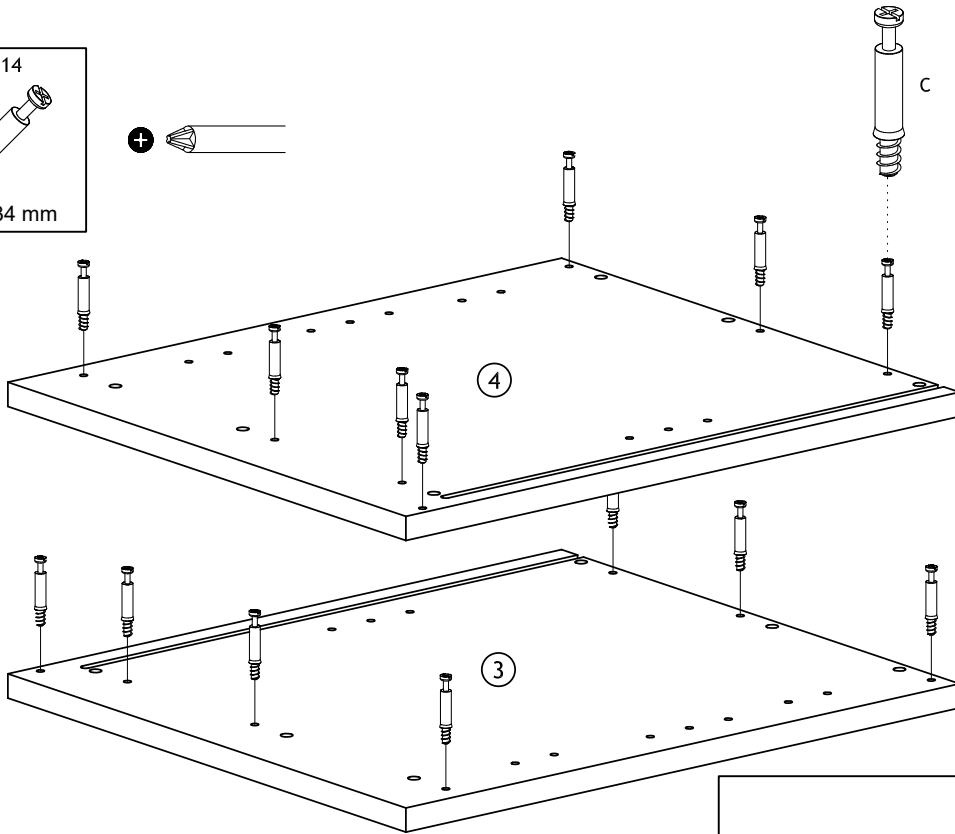
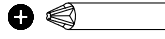
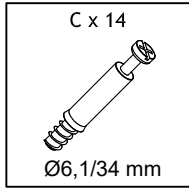


# 4

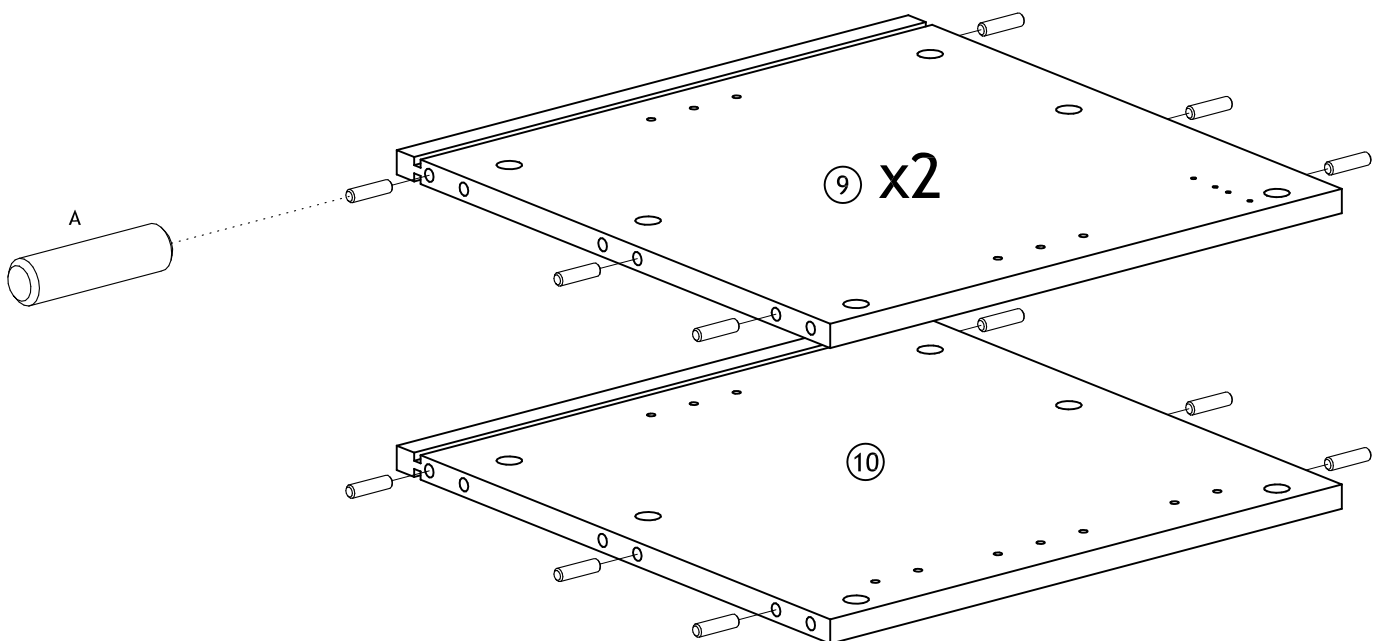
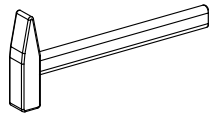
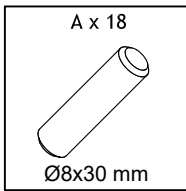
C x 9  Ø6,1/34 mm
--



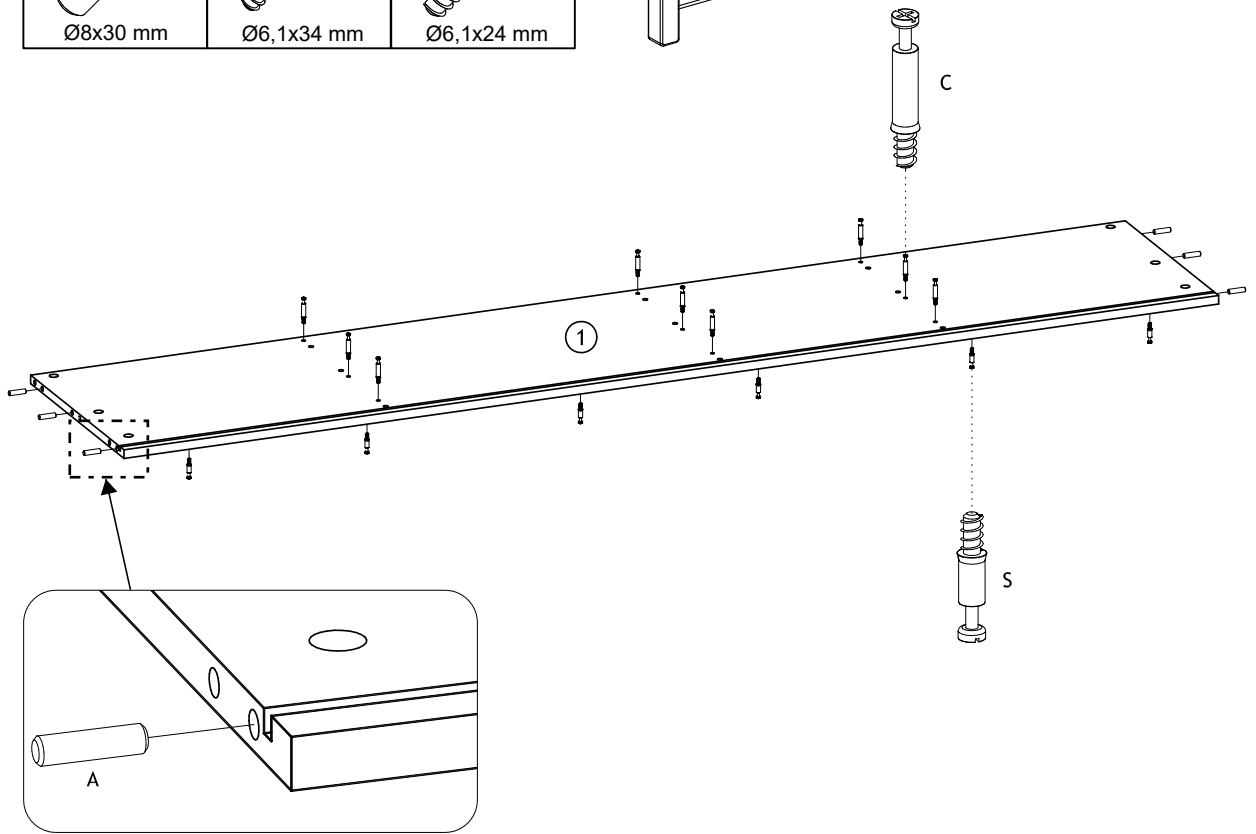
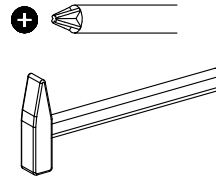
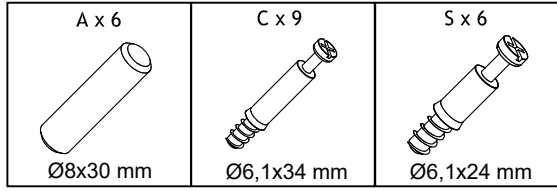
# 5



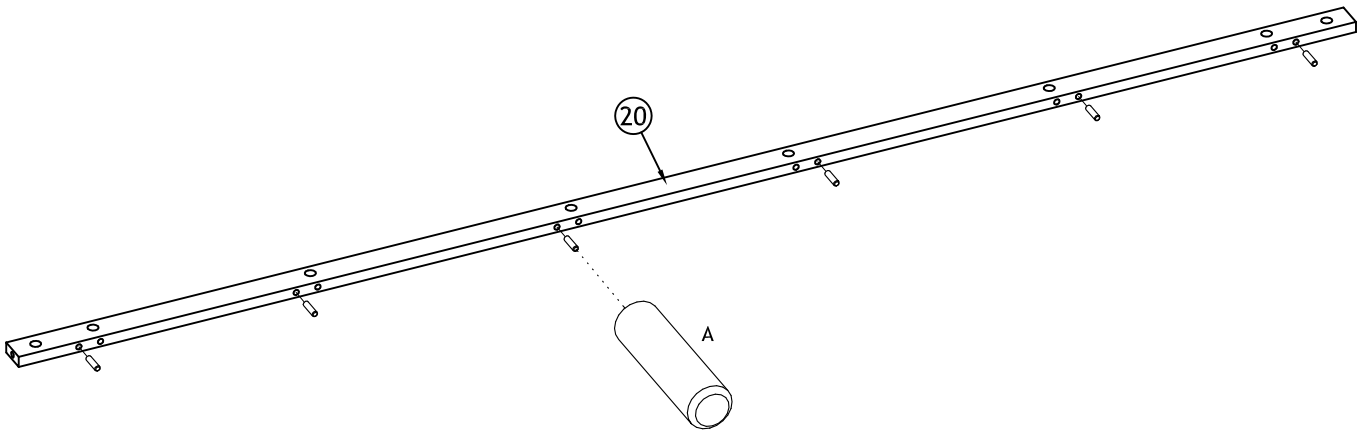
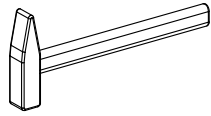
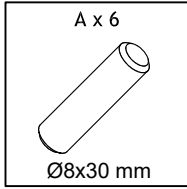
# 6



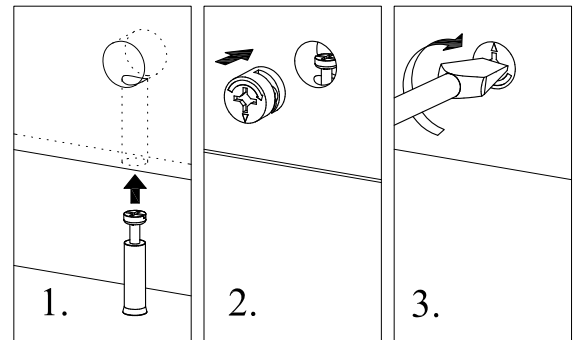
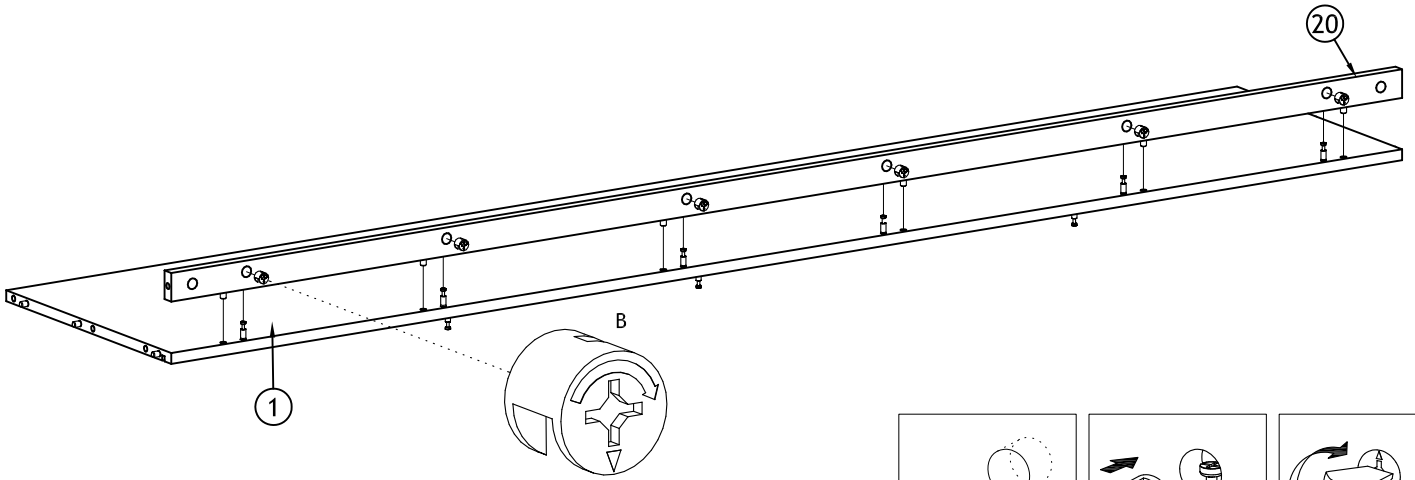
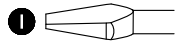
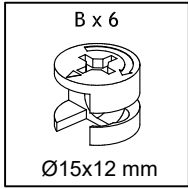
# 7



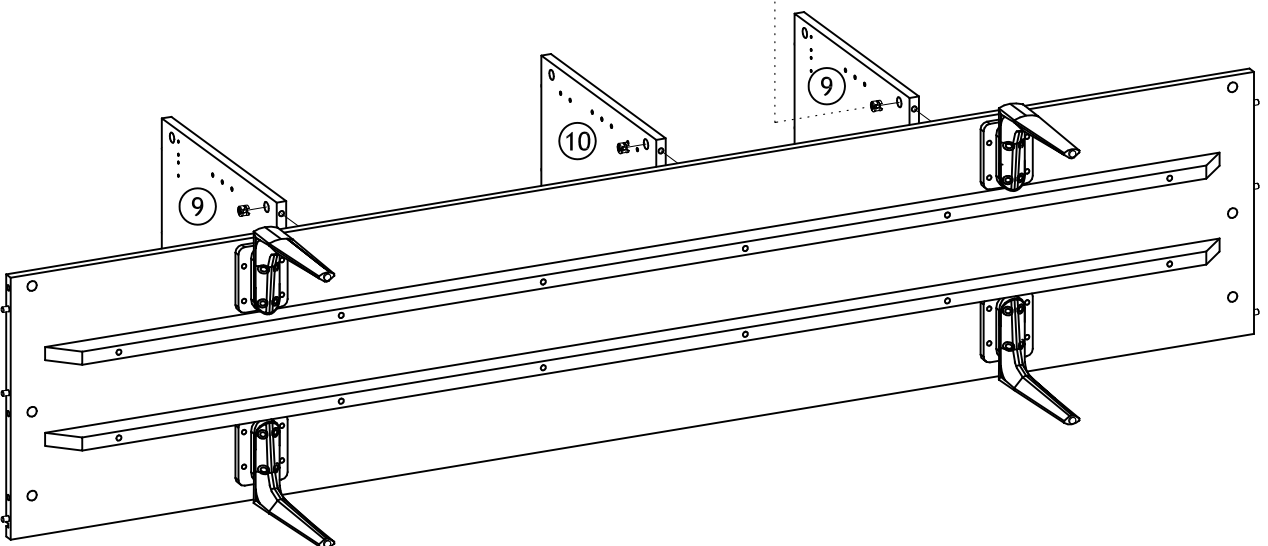
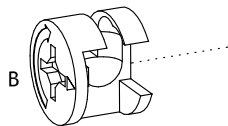
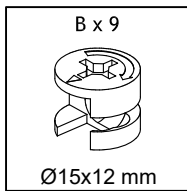
# 8



# 9

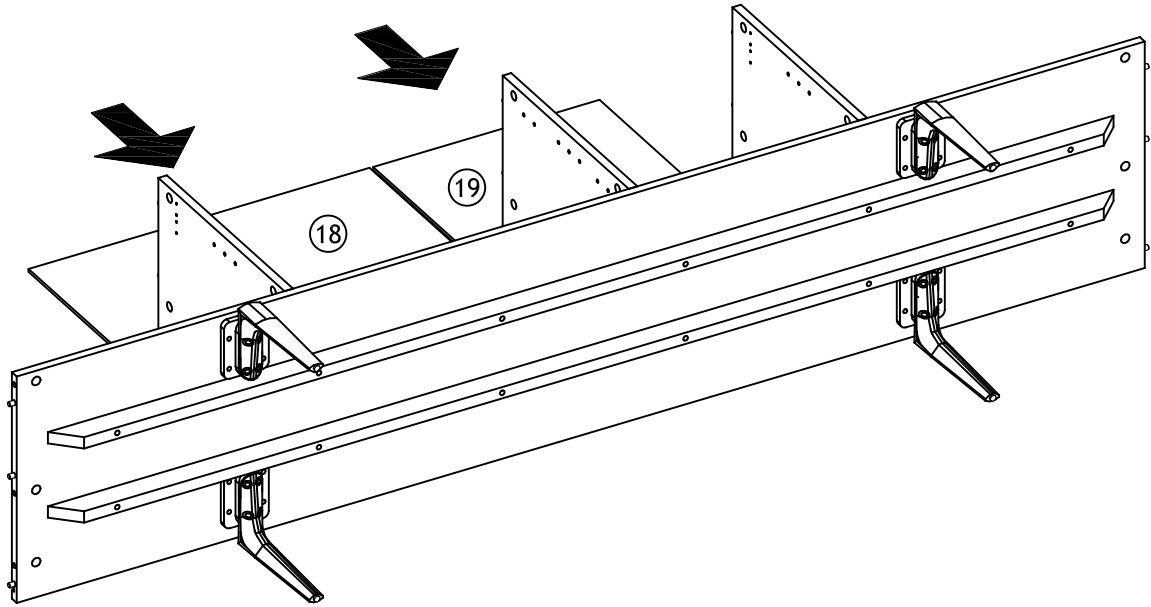


# 10

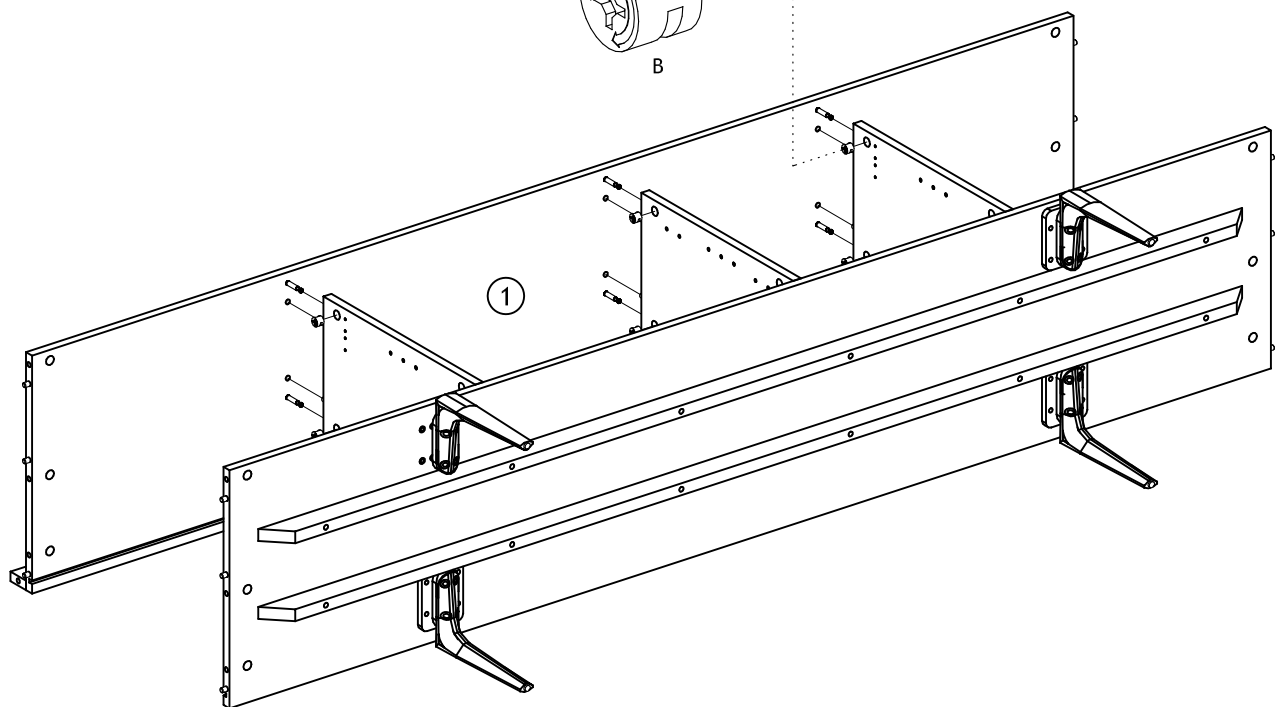
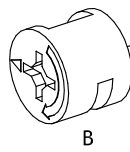
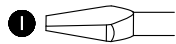
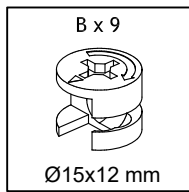




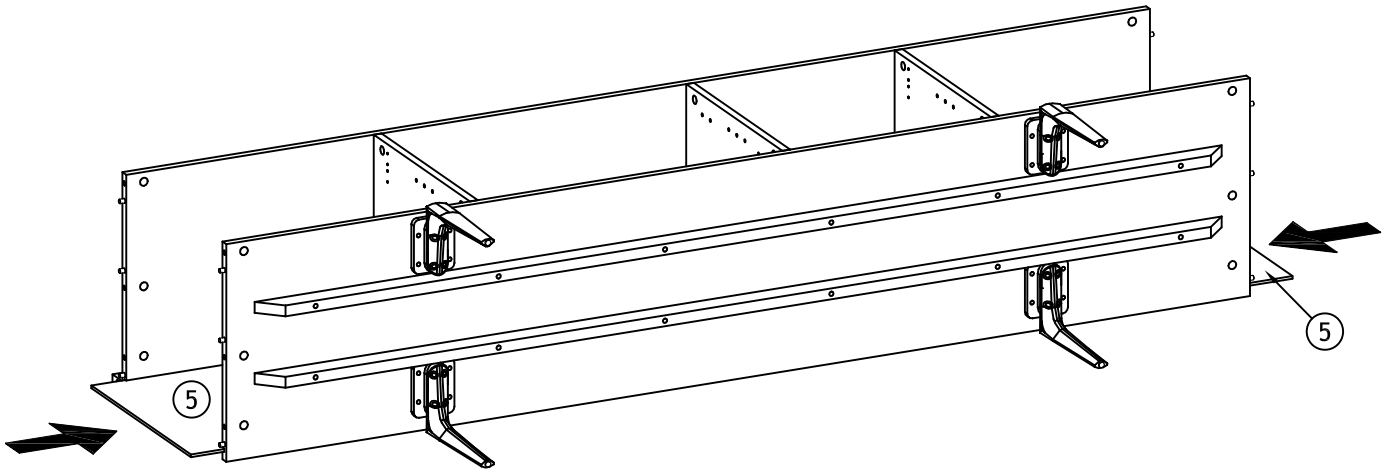
# 11



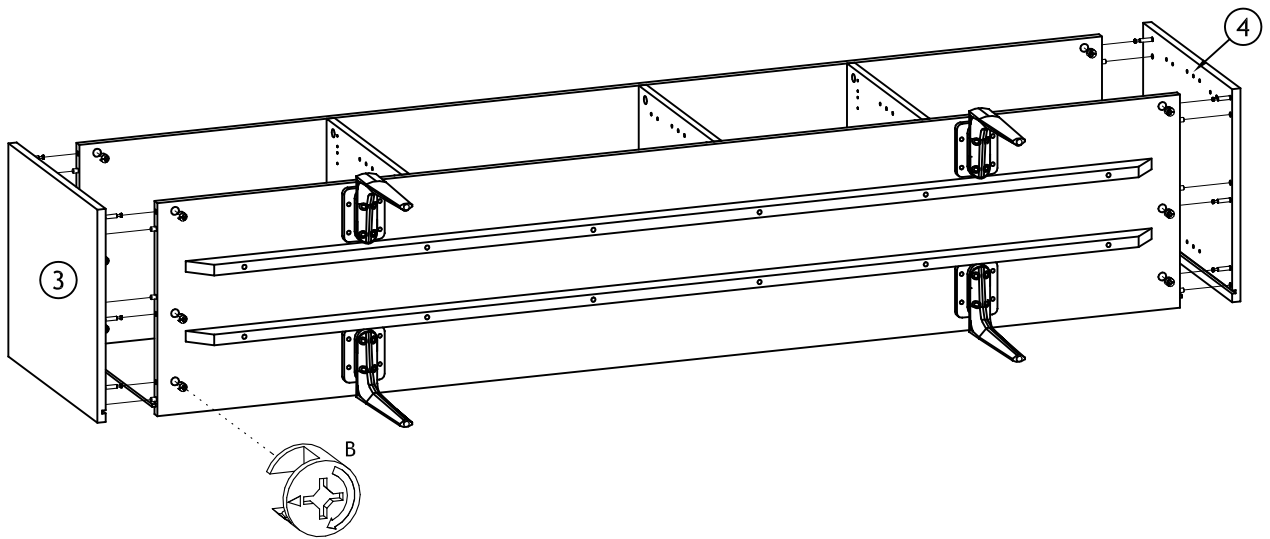
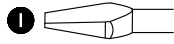
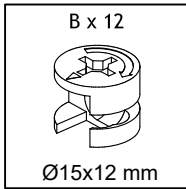
# 12



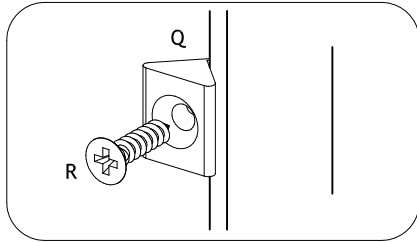
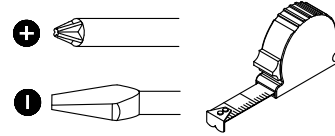
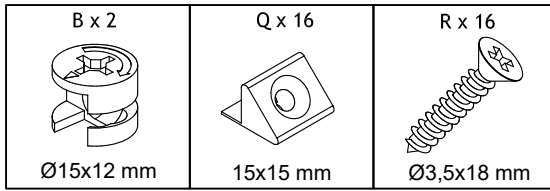
# 13



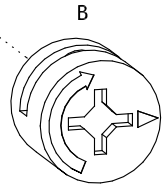
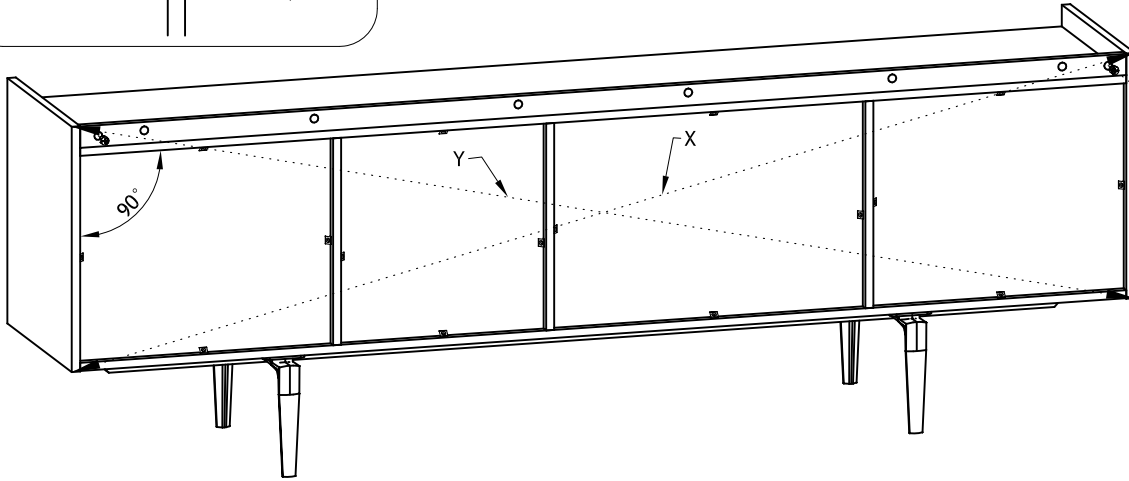
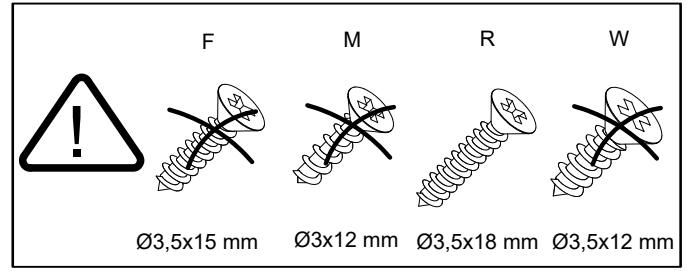
# 14



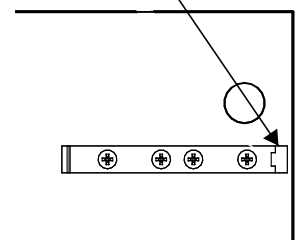
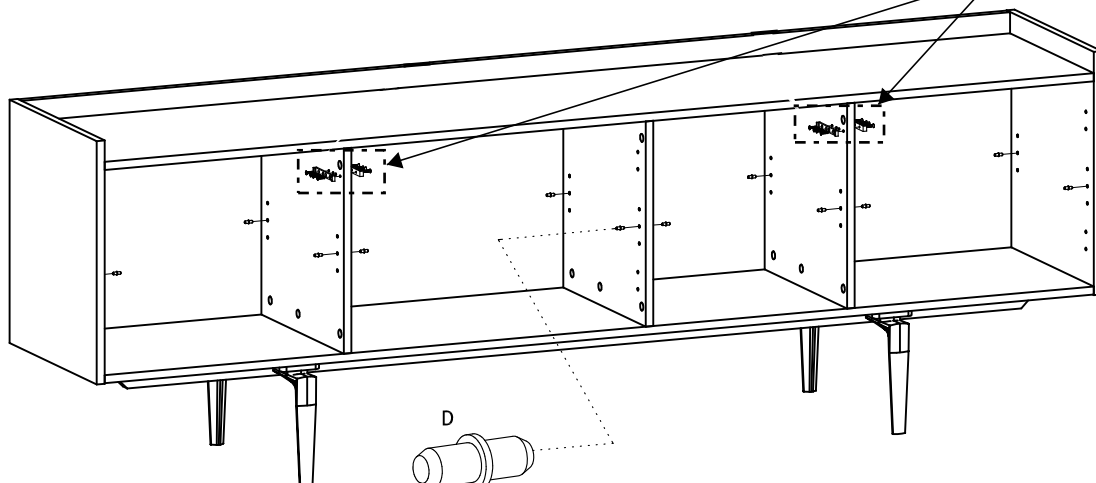
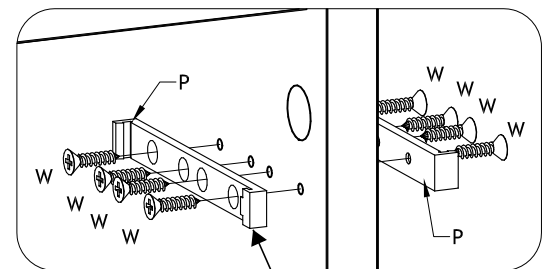
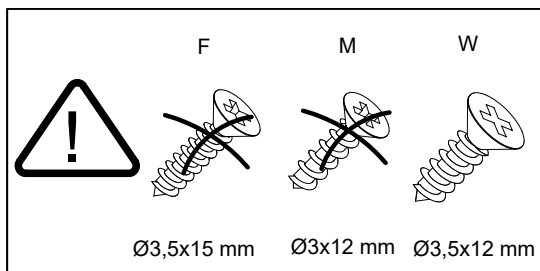
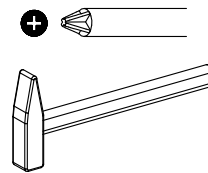
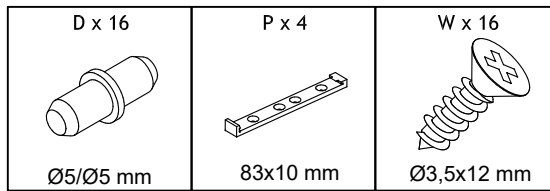
# 15



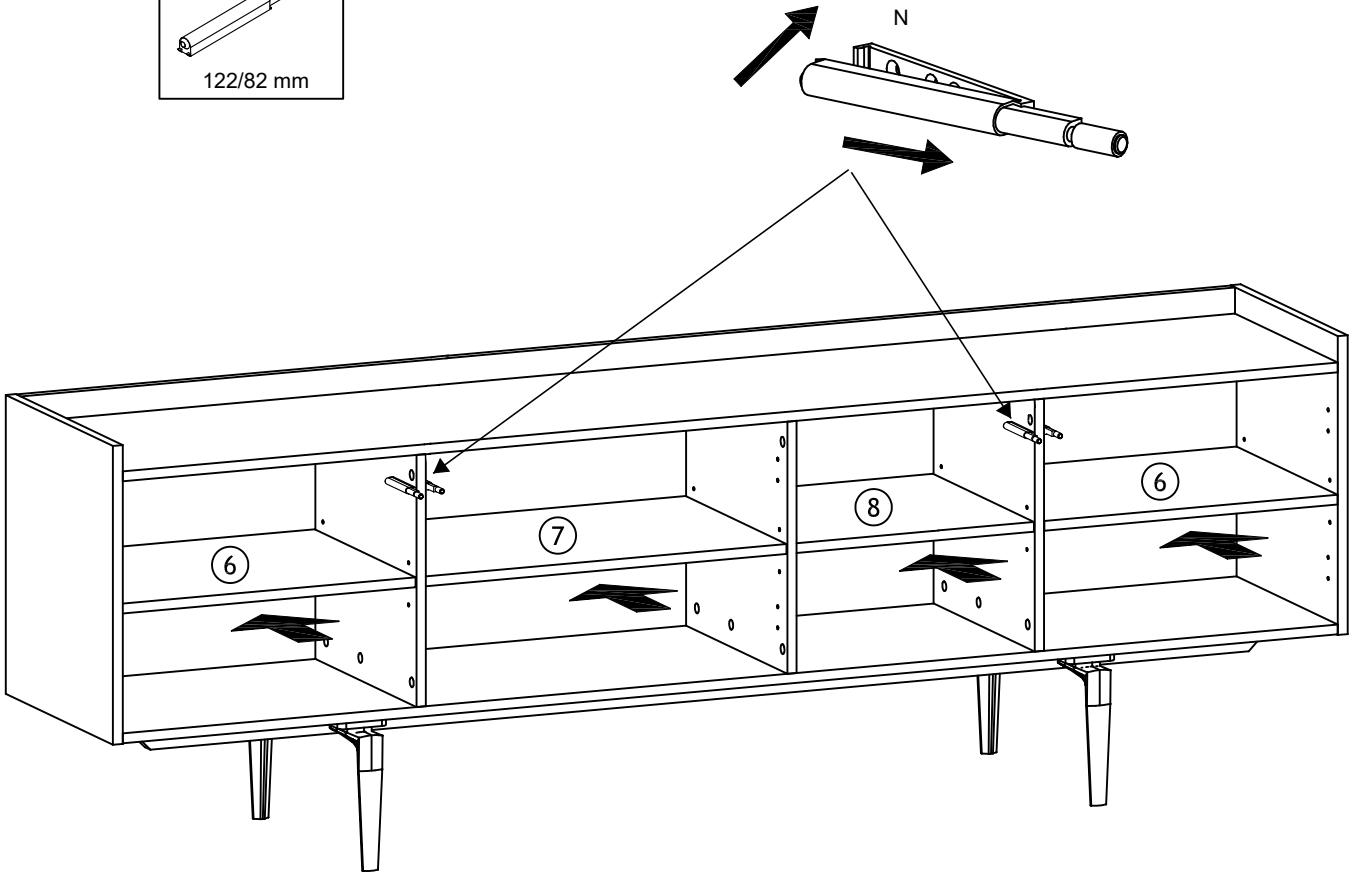
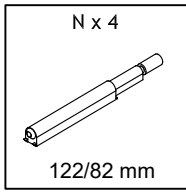
X=Y



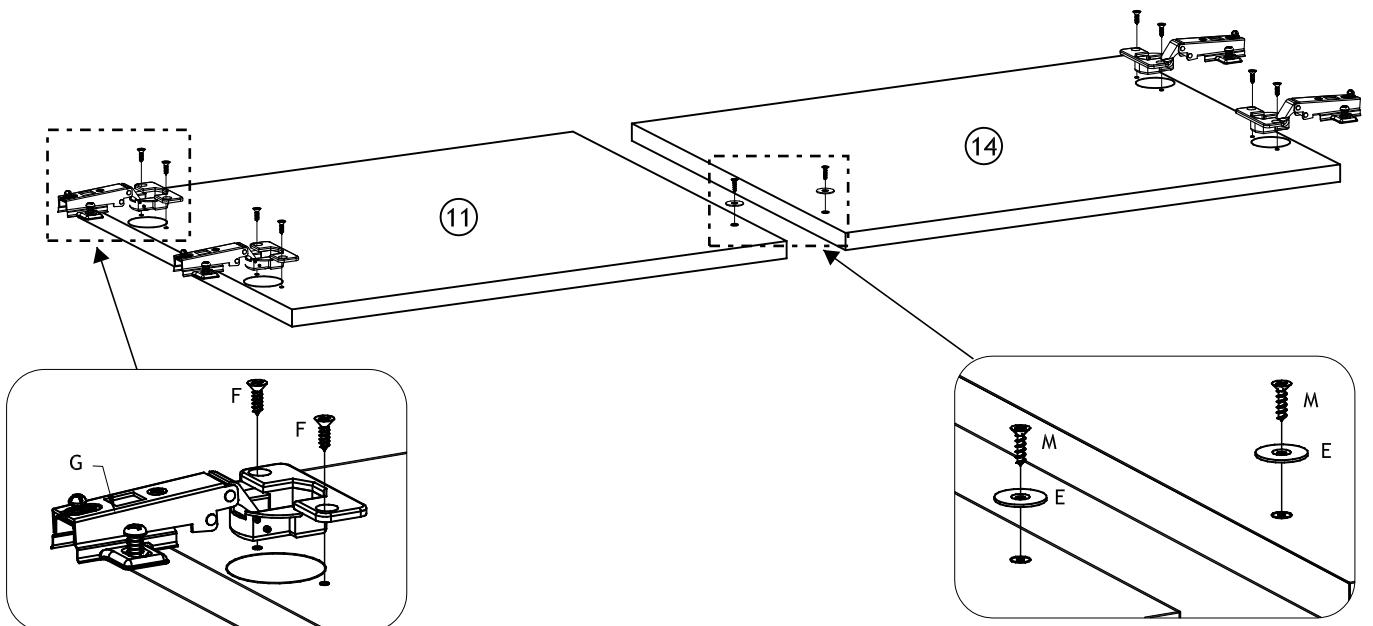
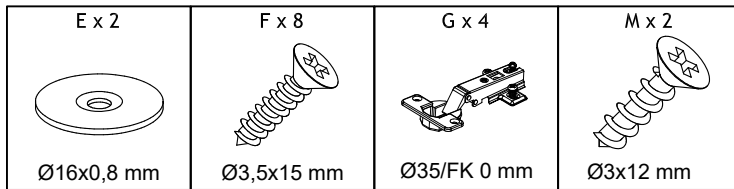
# 16



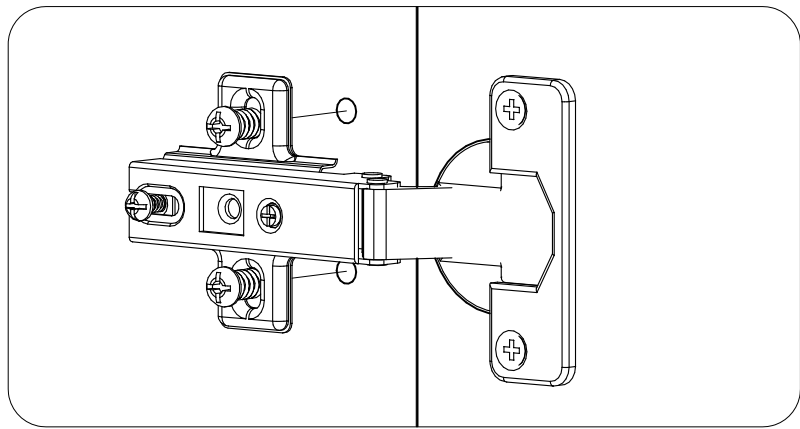
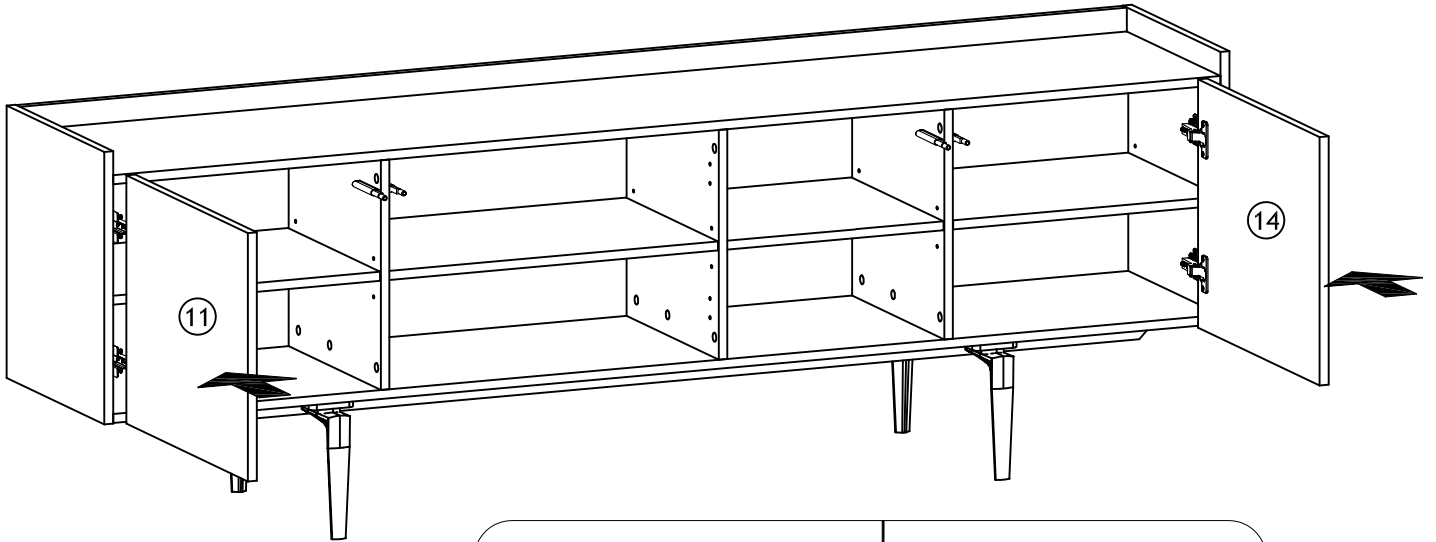
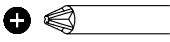
# 17



# 18

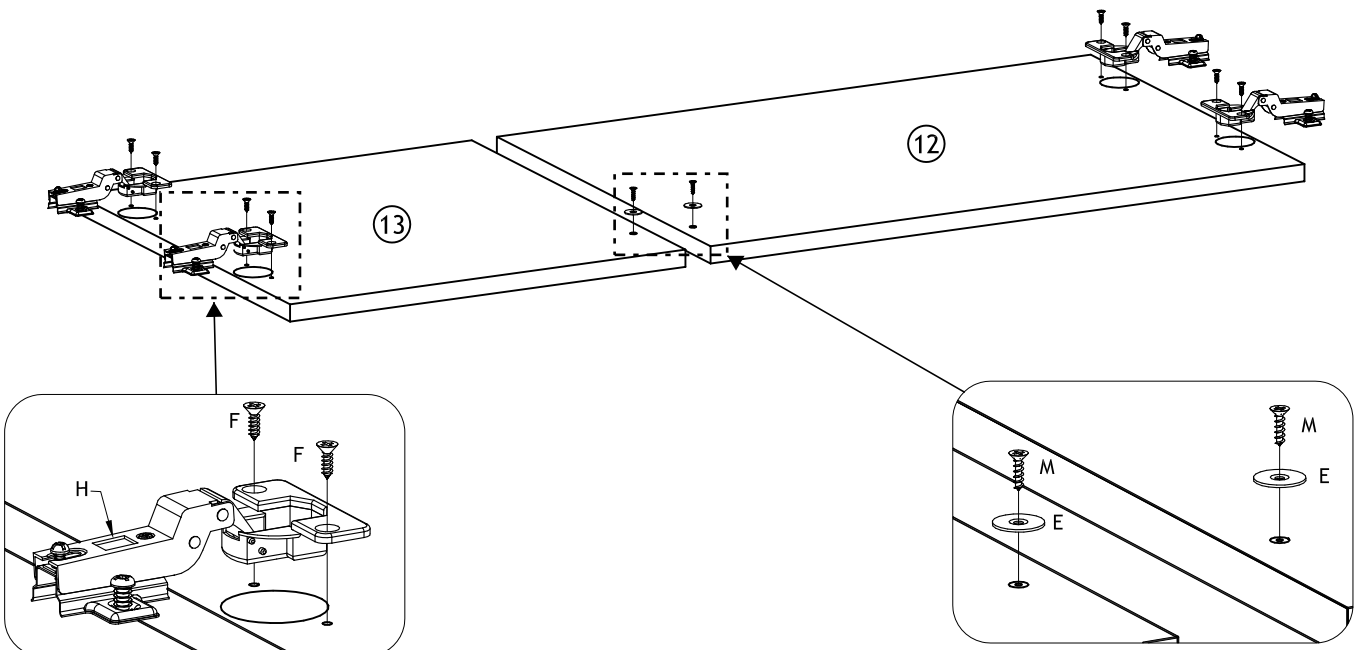
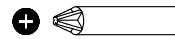


# 19

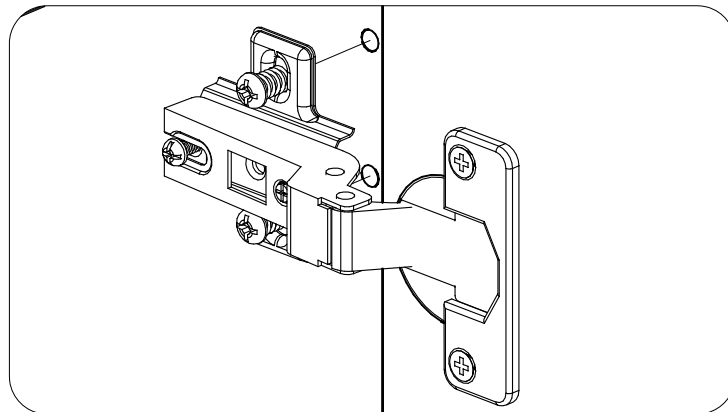
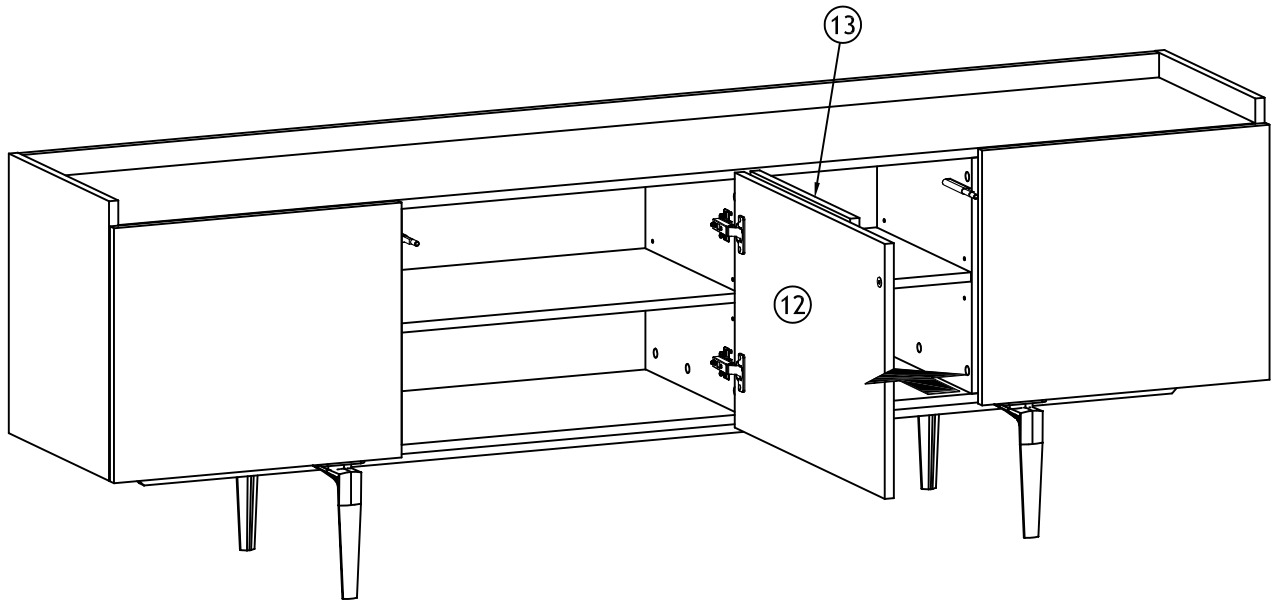


# 20

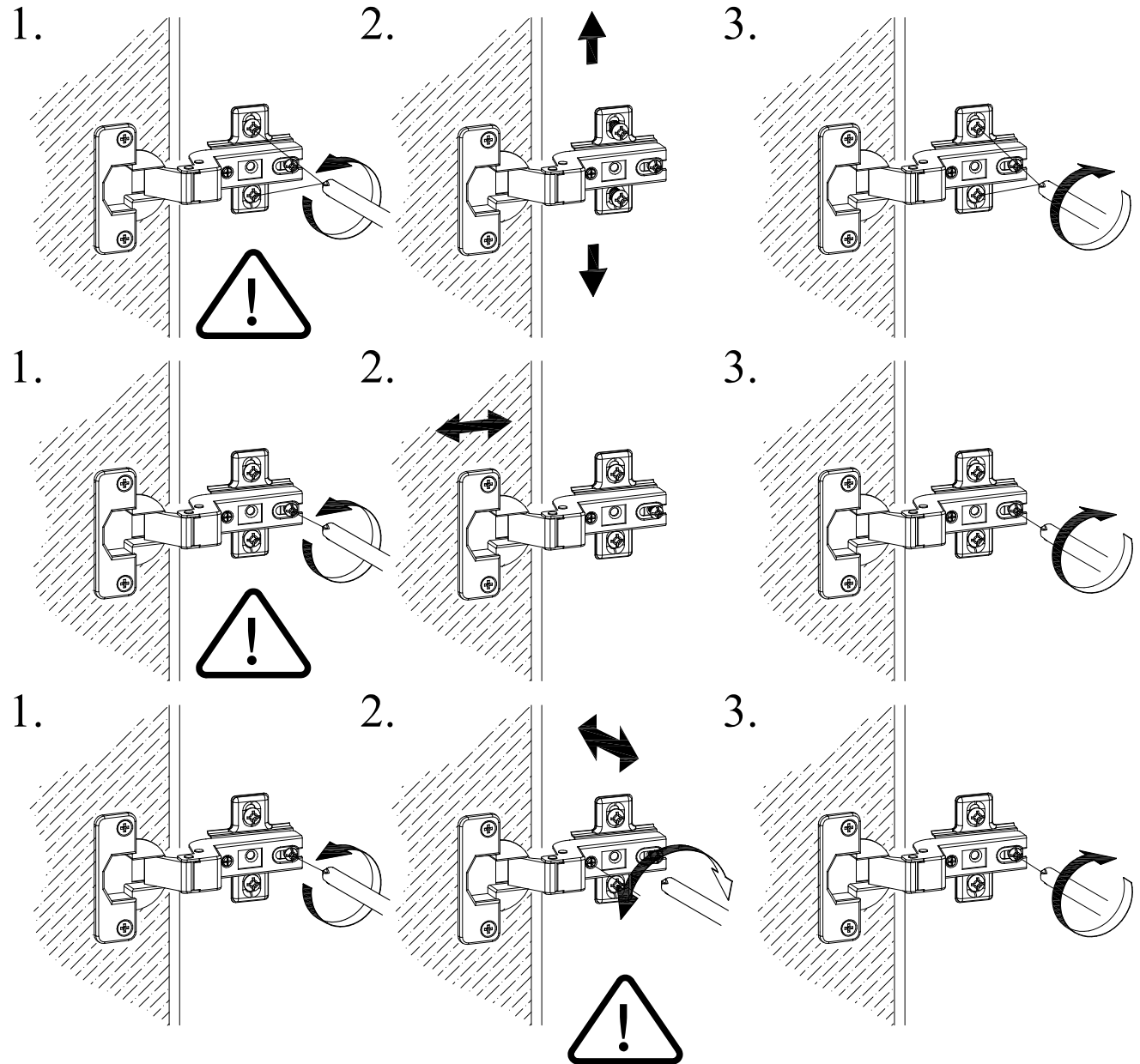
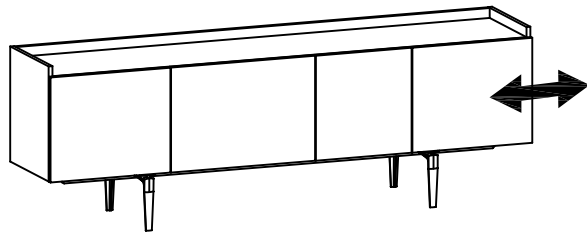
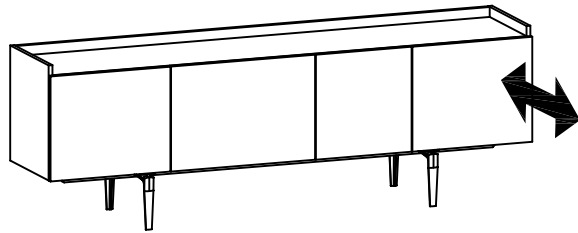
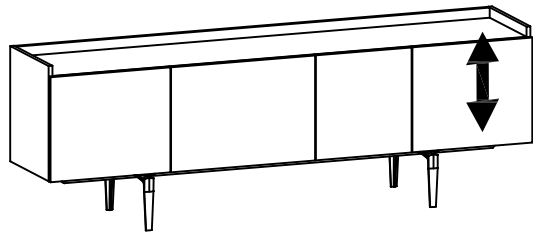
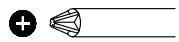
E x 2	F x 8	H x 4	M x 2
Ø16x0,8 mm	Ø3,5x15 mm	Ø35/FK 9 mm	Ø3x12 mm



# 21



# 22



23

