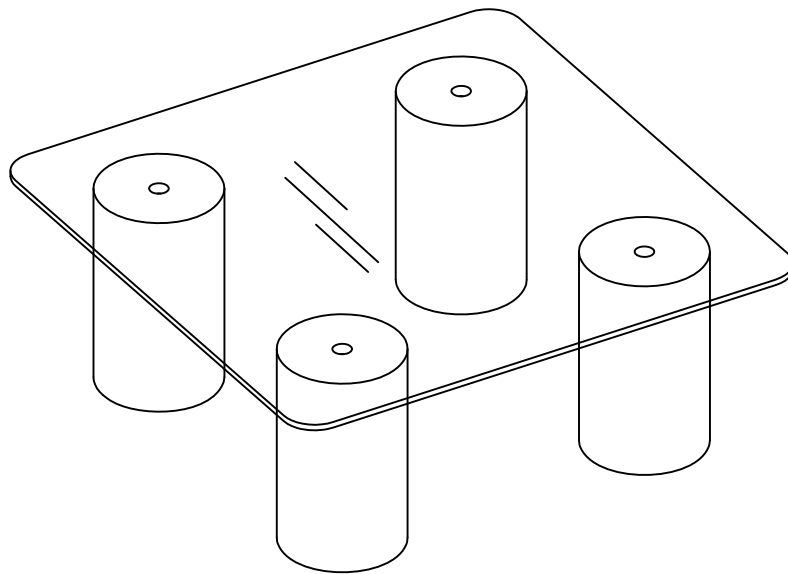


Assembly Instructions

Gabriel Series



Lifely*

Product Code

GBRL-GLS-CT Gabriel Glass Coffee Table

Dimensions (W x D x H)

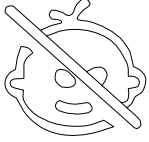
900*900*350mm

Important

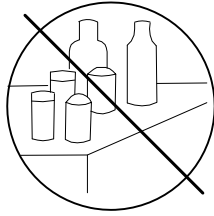
Please read through instruction carefully
Before assembly and keep for future reference.

For our full catalogue of assembly instructions,
Visit: lifely.com.au/assembly.

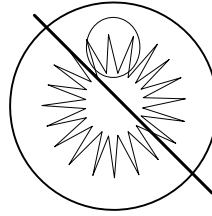
Important Tips and Maintenance



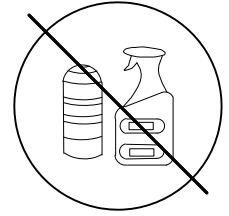
1. Keep children and animals away from working area as smaller parts may cause choking if swallowed.



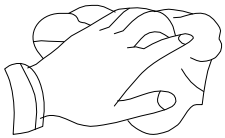
2. Never place liquids or anything damp upon furniture as it will mark. Ensure a coaster or running is beneath.



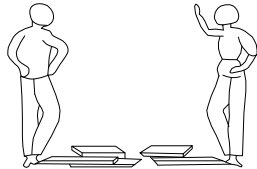
3. Never use ammonia based cleaning products as it will damage the finish.



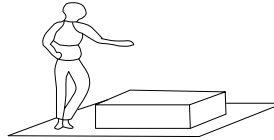
4. To avoid fading, keep furniture out of direct sunlight.



5. Use a soft or damp cloth (dry cloth) when wiping or cleaning surfaces.



6. Two person are required.



7. Lay a soft matt down to protect the furniture piece before and during assembly.

Please lift the table by two people, do not push when you want to move it . do not have the legs to stand by side only to avoid the legs failure.

So your relationship is strong. But is it flat-pack furniture strong? Unless you're an aerospace engineer, assembling furniture can be slightly stressful. We recommend meditating quietly, pouring yourself a herbal tea (or slightly less herbal wine) and tackling things one step at a time. If you feel a passive aggressive remark coming on, try a compliment instead. E.g. "You're so good looking."

This 2-step assembly should take around 20 minutes with an Allen key - or 10 minutes with an electric drill.

Designed for everyday

Component Hardware

Please check you have all the fittings
part or tools are listed in below.

No. A

Quantity:4Pcs

Nut

M6*20mm

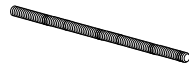


No. B

Quantity:4Pcs

Bolt

M6*323



No. C

Quantity:1Pc

Key



No. D

Quantity:12Pcs

EVA Pad

φ 25mm



No. E

Quantity:1 Pair

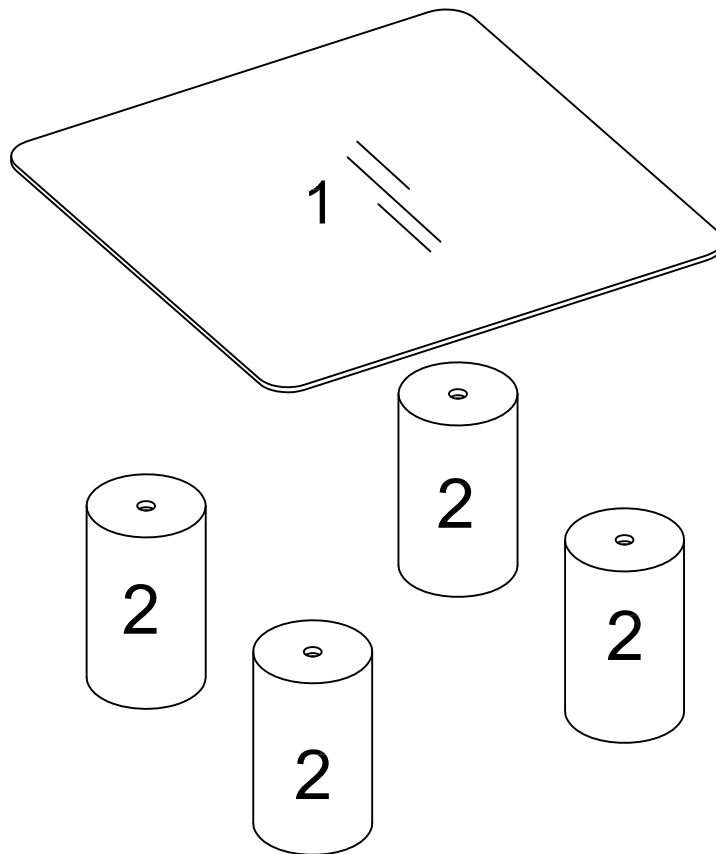
Gloves



Component Panels & part List

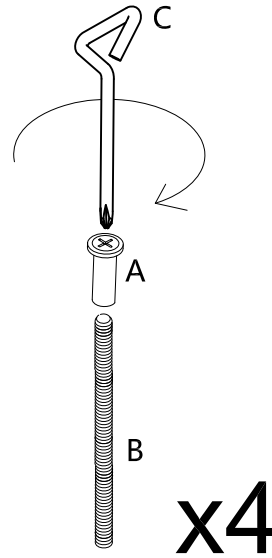
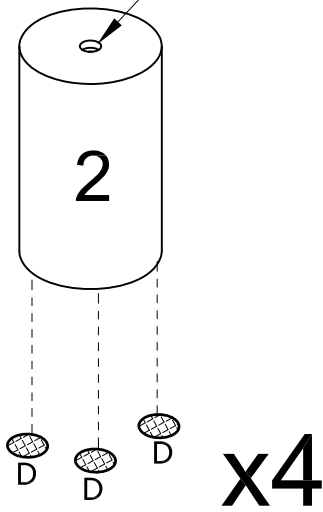
Please check you have all the panels
are listed below.

1. Top Panel -----x1 CTN 2/2
2. Column Leg -----x4 CTN 1/2



STEP 1

There is a bigger hole on this side.



No. C
Quantity: 1Pc



No. A
Quantity: 4Pcs



No. B
Quantity: 4Pcs

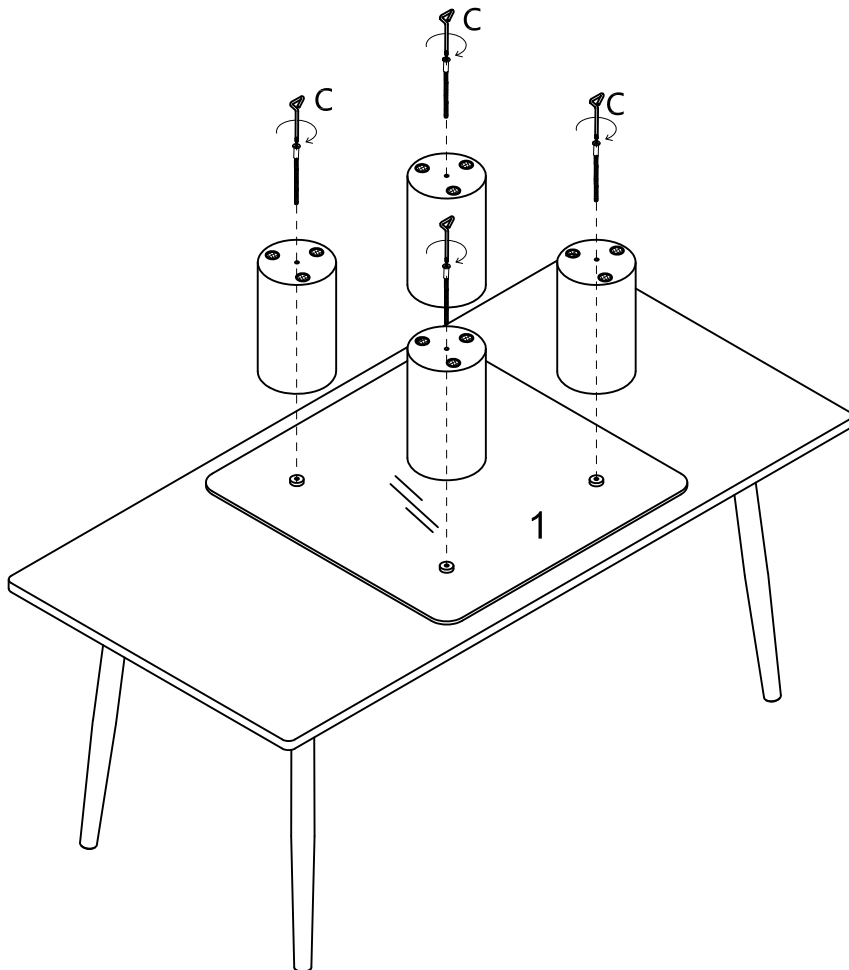


No. D
Quantity: 12Pcs
EVA Pad



STEP 2

Please put the glass top on a desk top so that insert the leg carefully to avoid any damage of the legs.



No. C
Quantity: 1Pc



lifely.com.au

Great job. You're done!

Don't forget to share how it looks in
your space and tag us on Instagram.

@lifelyhome #homewithlifely!