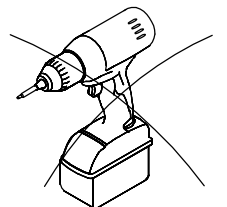
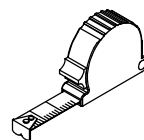
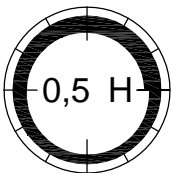
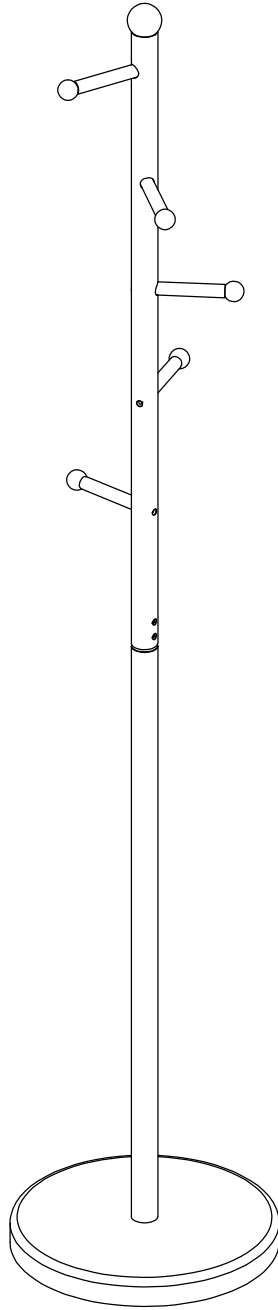
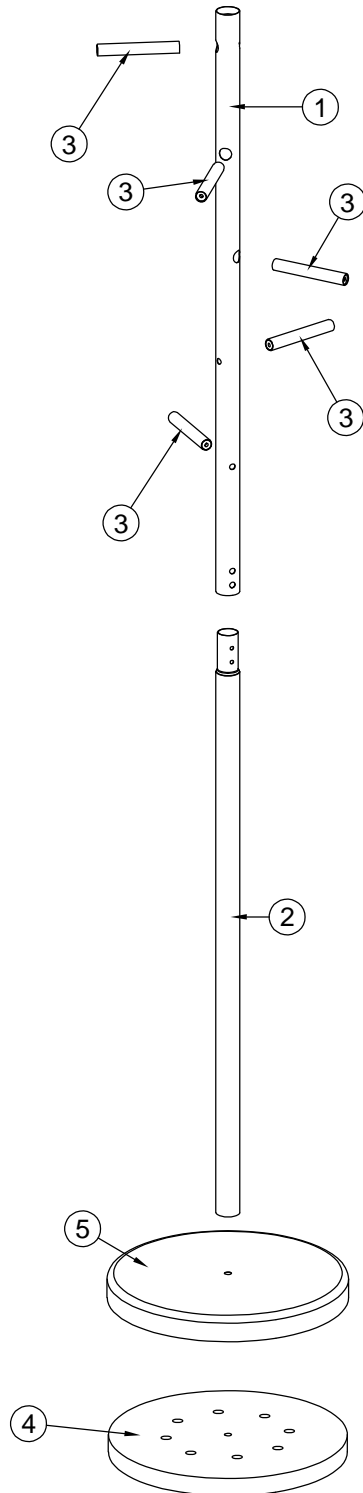
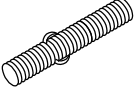
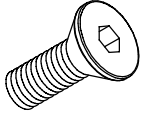
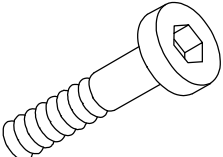

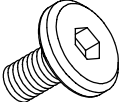
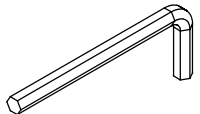
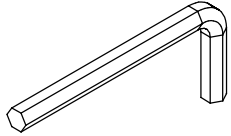
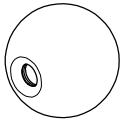
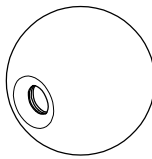



# ASPEN

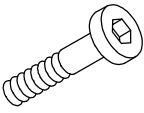

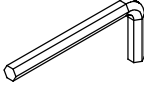



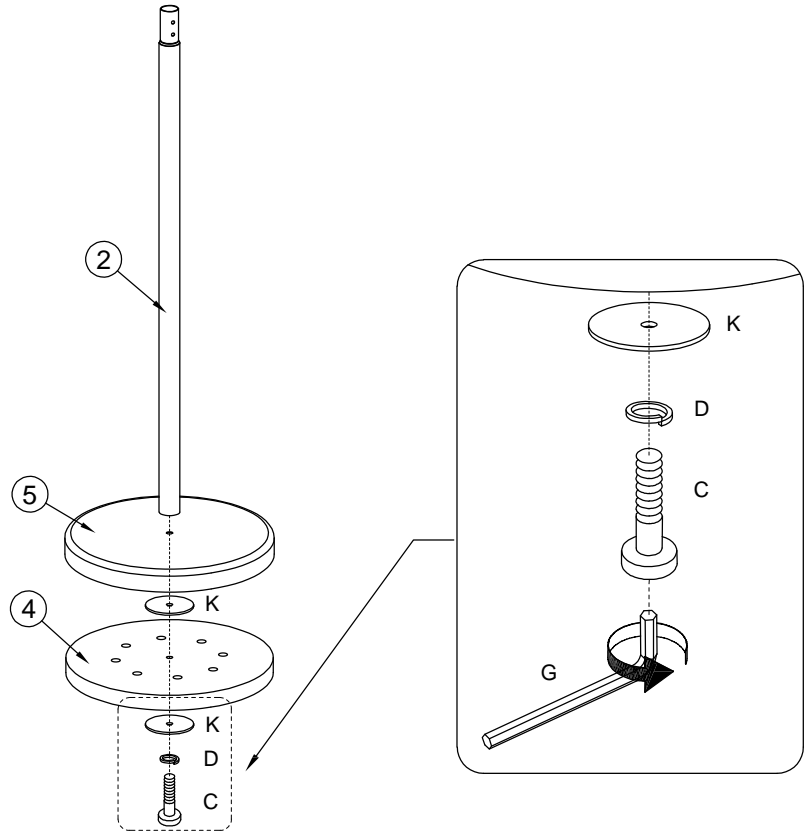
			✓
①	1	∅32x835	
②	1	∅32x835	
③	5	∅16x110	
④	1	∅300x48	
⑤	1	∅323x35	





<p>A x 6</p>  <p>M6 x 30 mm</p>	<p>B x 5</p>  <p>M6 x 20 mm</p>	<p>C x 1</p>  <p>M8 x 55 mm</p>	<p>D x 1</p>  <p>Ø8/Ø13 mm</p>	<p>E x 2</p>  <p>M6 x 12 mm</p>
<p>F x 1</p>  <p>4 mm</p>	<p>G x 1</p>  <p>6 mm</p>	<p>H x 5</p>  <p>Ø25 mm</p>	<p>J x 1</p>  <p>Ø42 mm</p>	<p>K x 2</p>  <p>Ø75 x 3 mm</p>

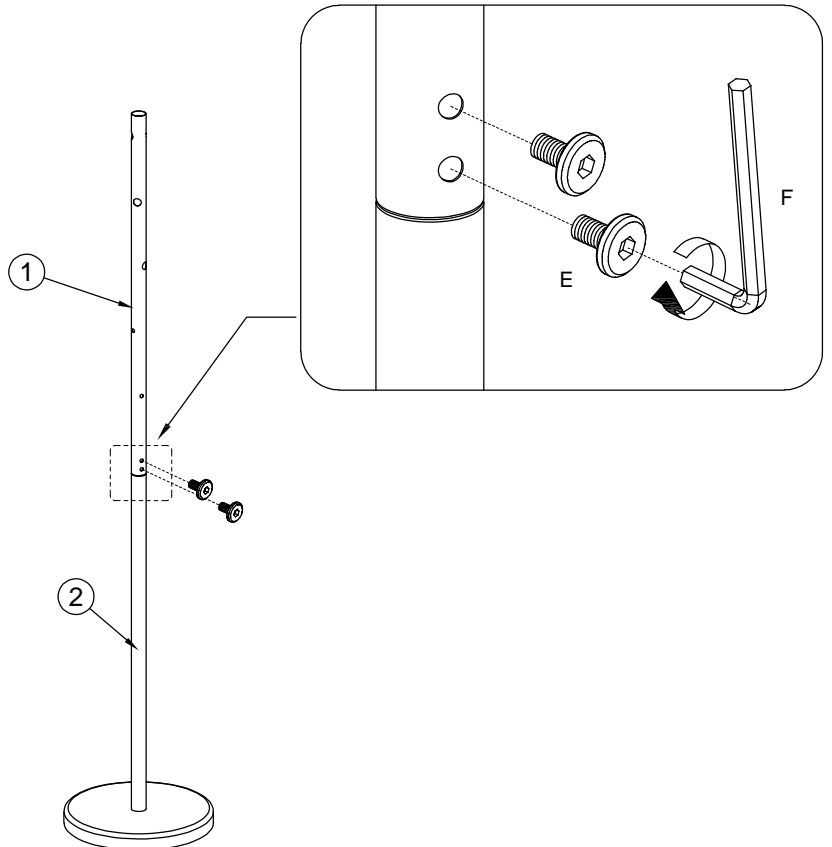
# 1

<b>C x 1</b>  M8 x 55 mm	<b>D x 1</b>  Ø8/Ø13 mm	<b>G x 1</b>  6 mm	<b>K x 2</b>  Ø75 x 3 mm
---	--	---	---

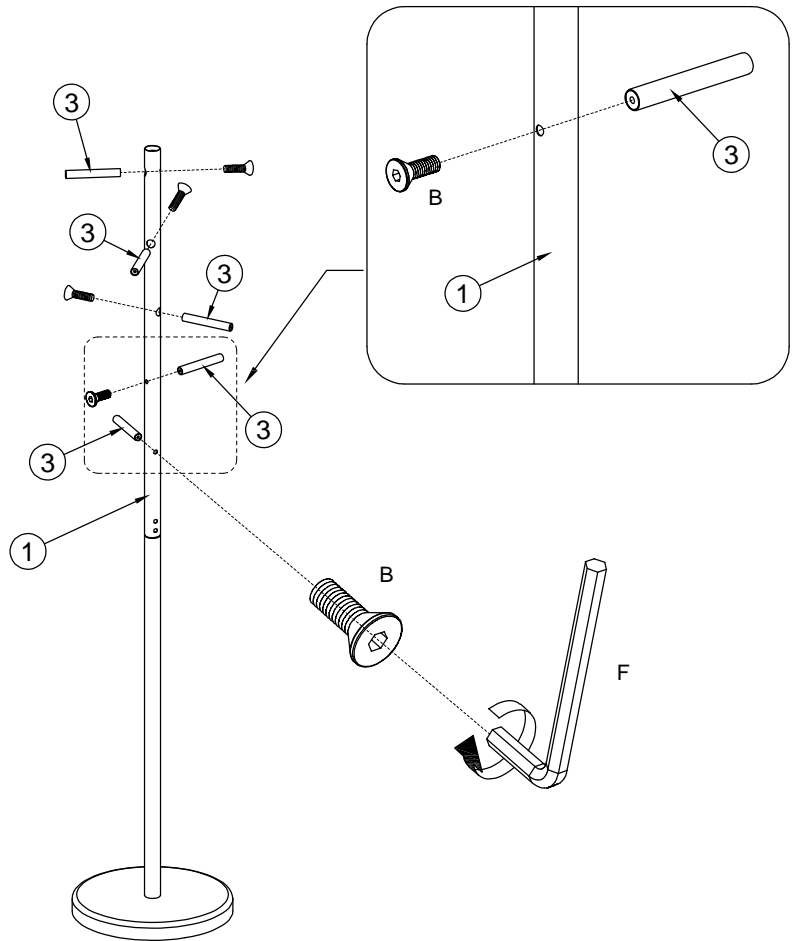
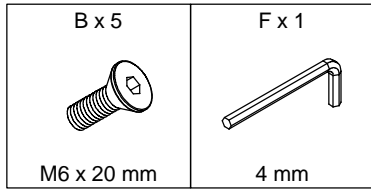


# 2

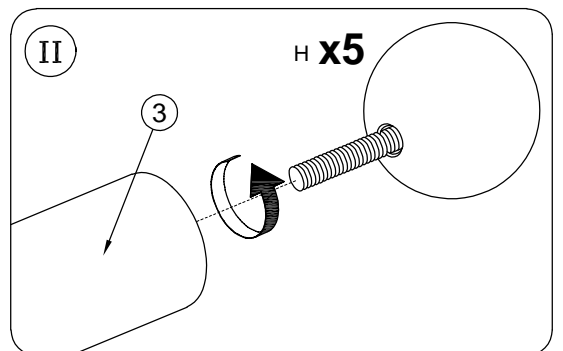
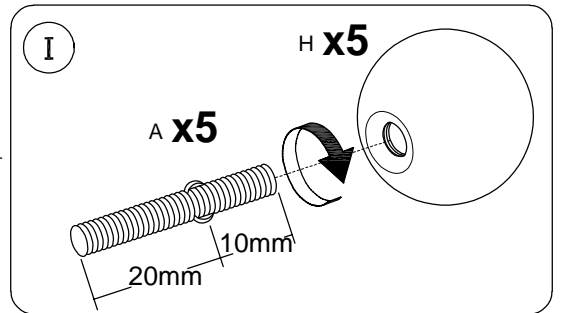
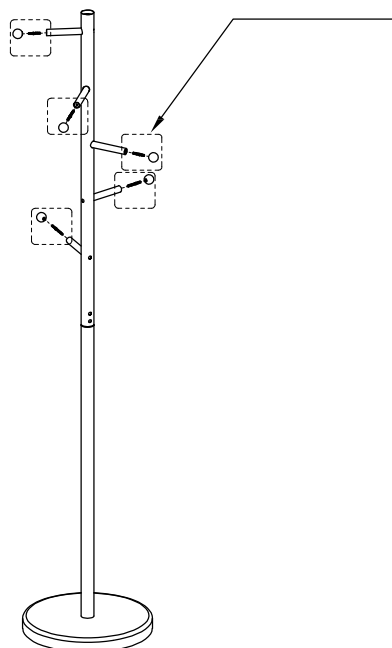
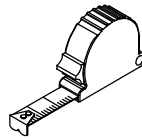
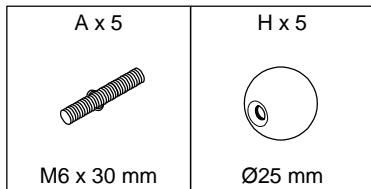
<b>E x 2</b>  M6 x 12 mm	<b>F x 1</b>  4 mm
---	---



# 3



# 4



# 5

