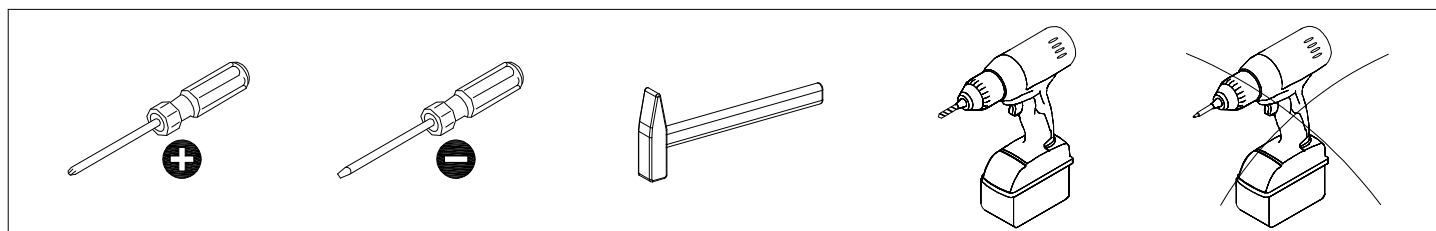
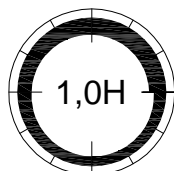
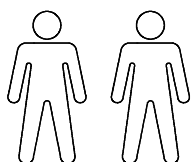
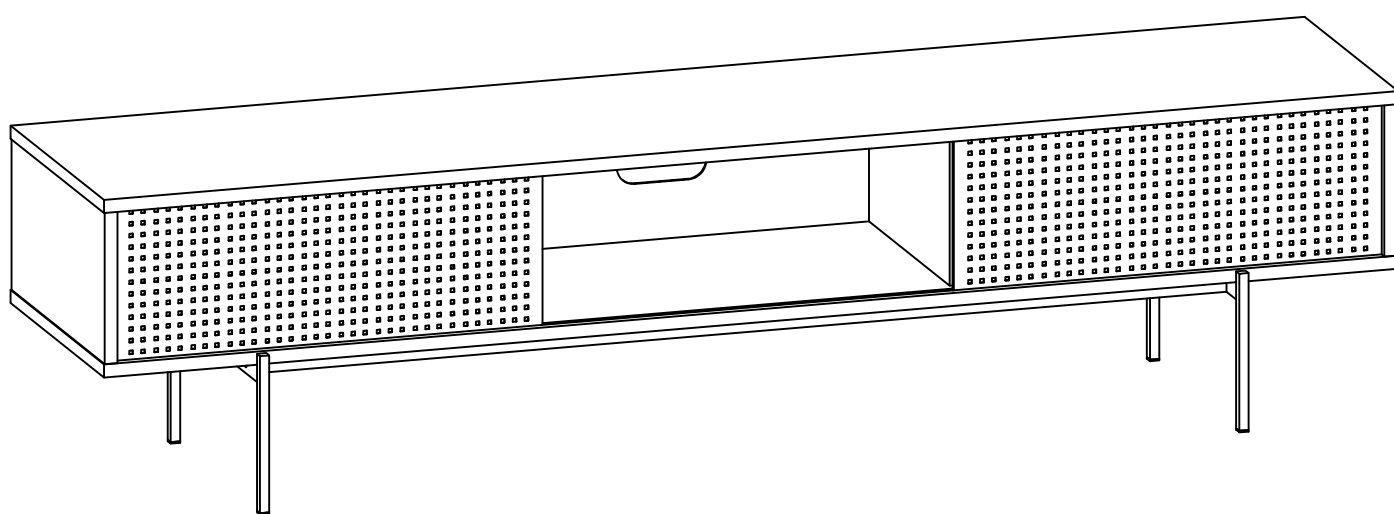
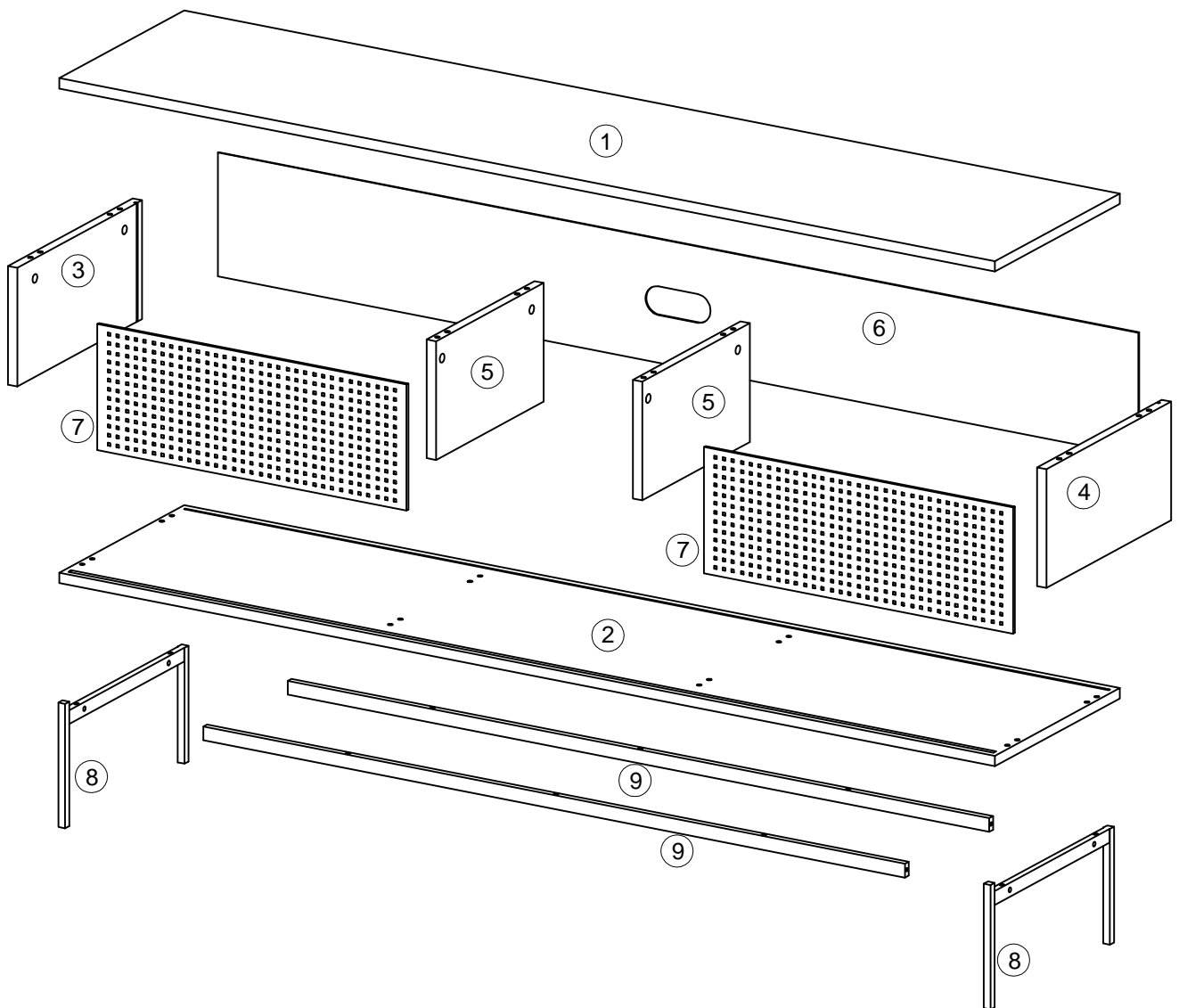


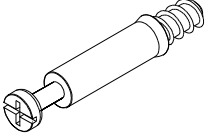

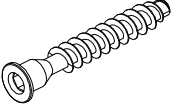
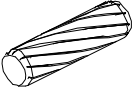

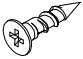
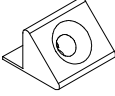

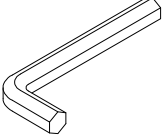
# ANGUS



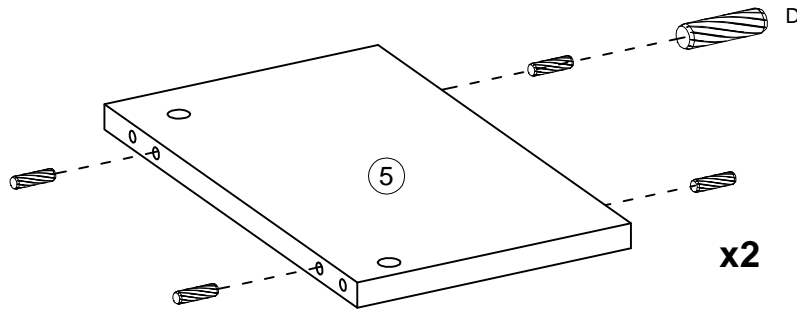
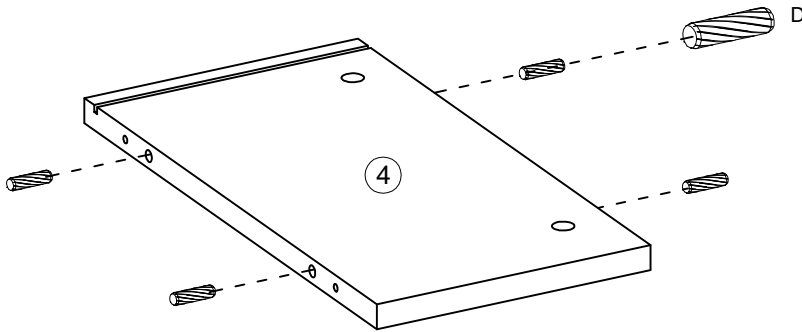
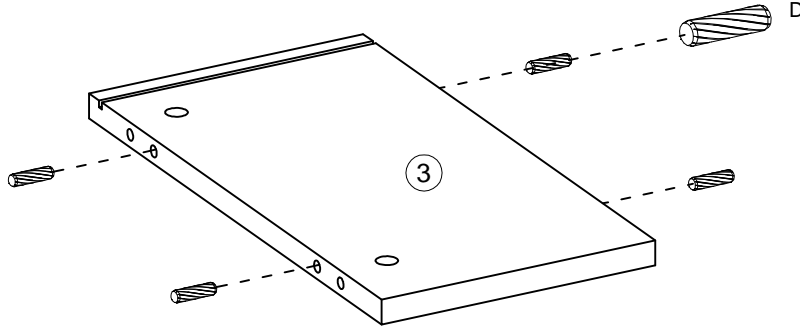
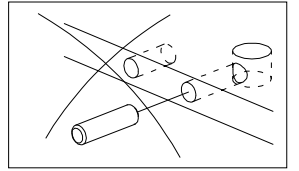
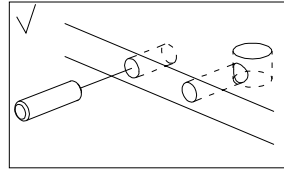
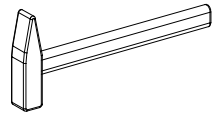
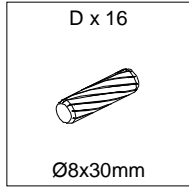
|   |   |             |   |
|---|---|-------------|---|
|   |   |             | ✓ |
| ① | 1 | 1800x400x18 |   |
| ② | 1 | 1800x400x18 |   |
| ③ | 1 | 399x207x18  |   |
| ④ | 1 | 399x207x18  |   |
| ⑤ | 2 | 345x207x18  |   |

|   |   |               |   |
|---|---|---------------|---|
|   |   |               | ✓ |
| ⑥ | 1 | 1772x216x2.75 |   |
| ⑦ | 2 | 595x220x6     |   |
| ⑧ | 2 | 395x217x13    |   |
| ⑨ | 2 | 1350x24x12    |   |

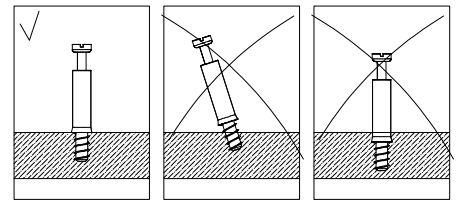
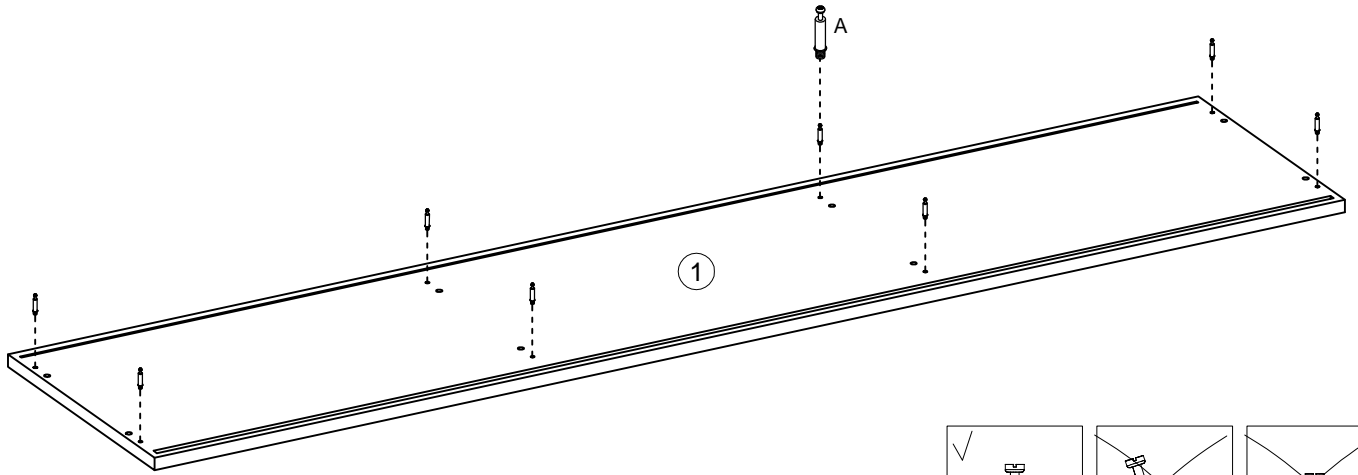
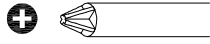
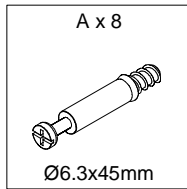


|   |  |   |  |  |
|---|--|---|--|--|
| <p>A x 8</p>  <p>Ø6.3x45mm</p> | <p>B x 8</p>  <p>Ø15x12mm</p>   | <p>C x 8</p>  <p>Ø7x48mm</p> | <p>D x 16</p>  <p>Ø8x30mm</p> | <p>E x 14</p>  <p>M6x35mm</p> |
| <p>F x 6</p>  <p>Ø3.5x16mm</p> | <p>G x 6</p>  <p>14x14x10mm</p> | <p>H x 8</p>  <p>Ø20mm</p>   | <p>J x 1</p>  <p>4mm</p>      |  |

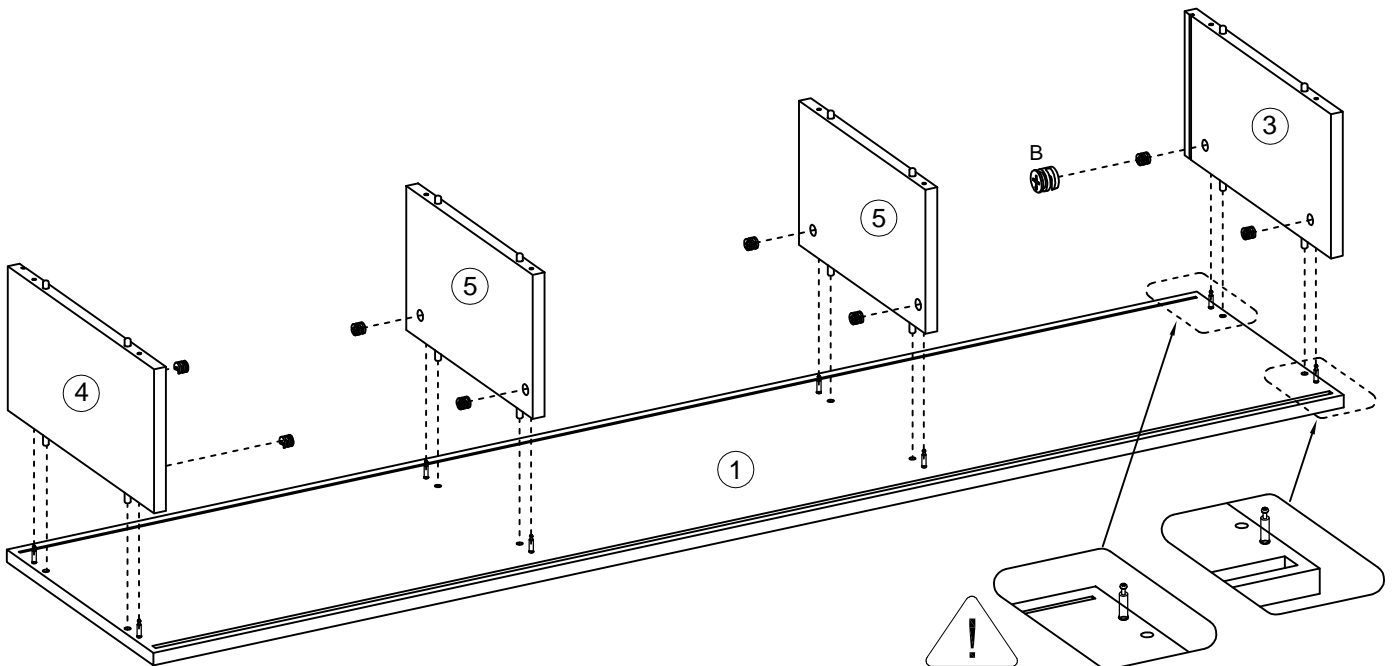
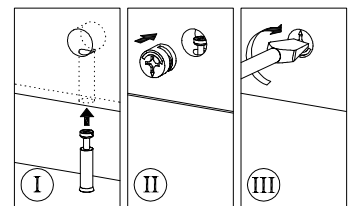
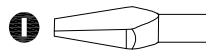
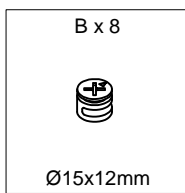
1



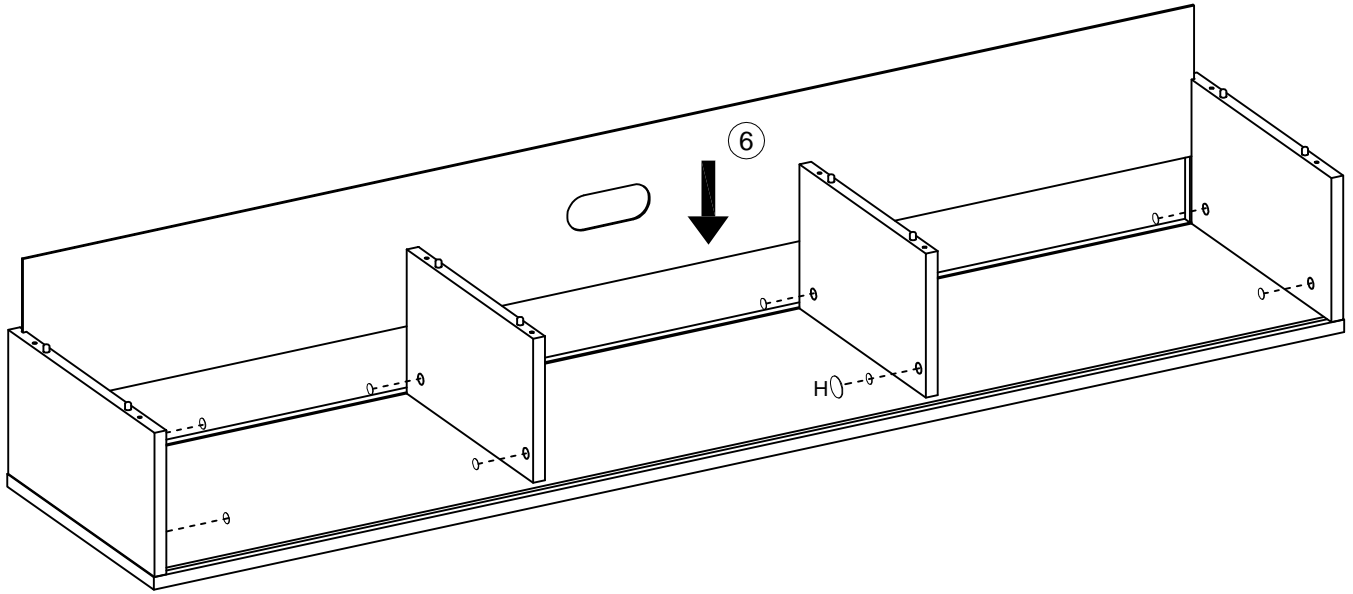
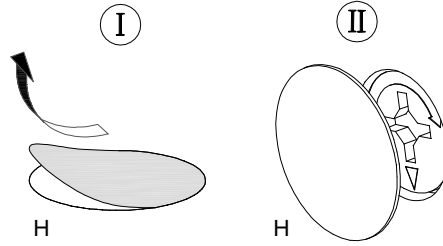
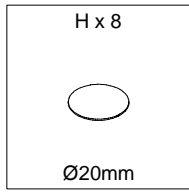
# 2



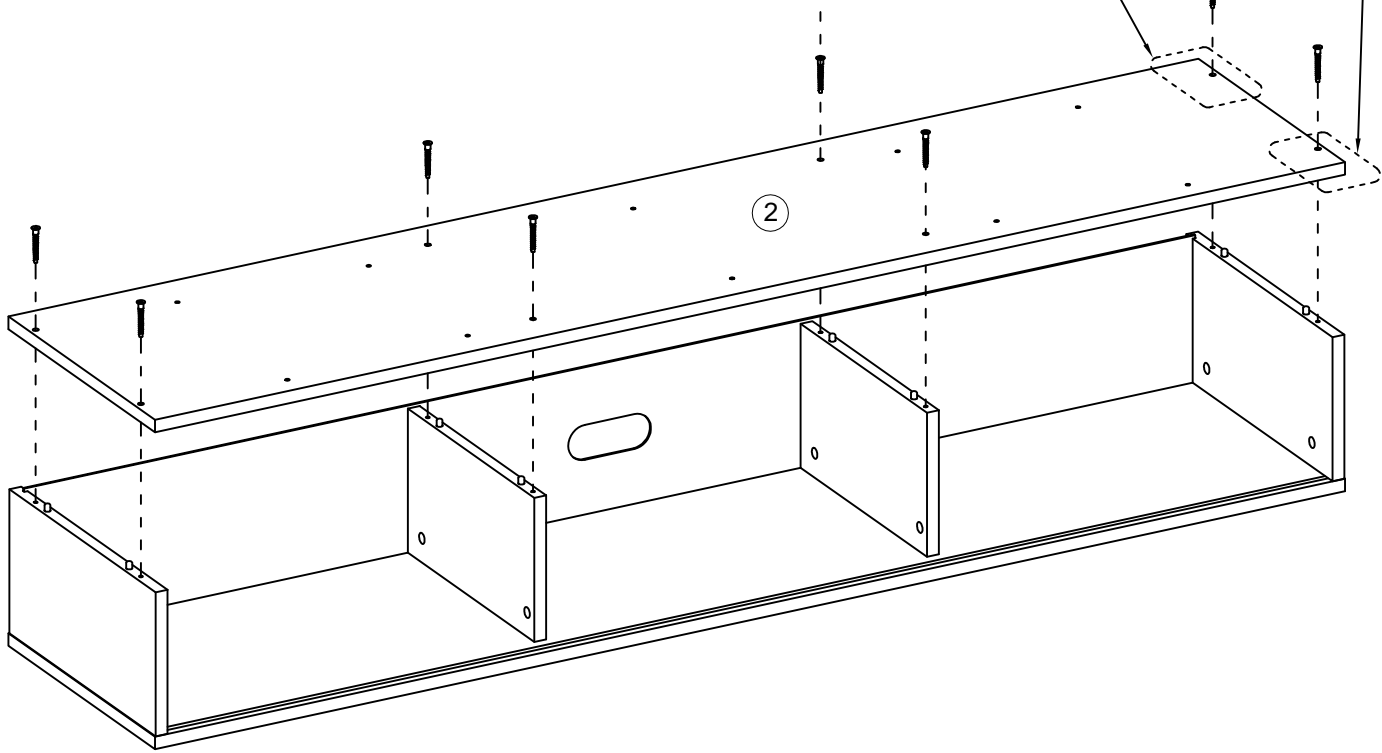
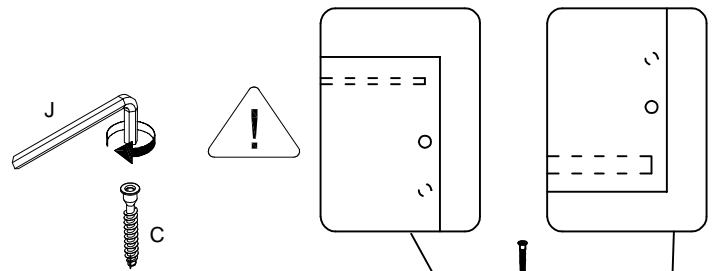
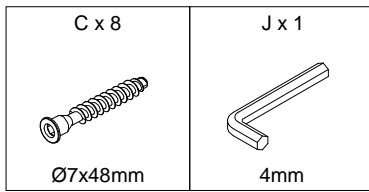
# 3




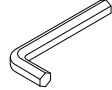
# 4

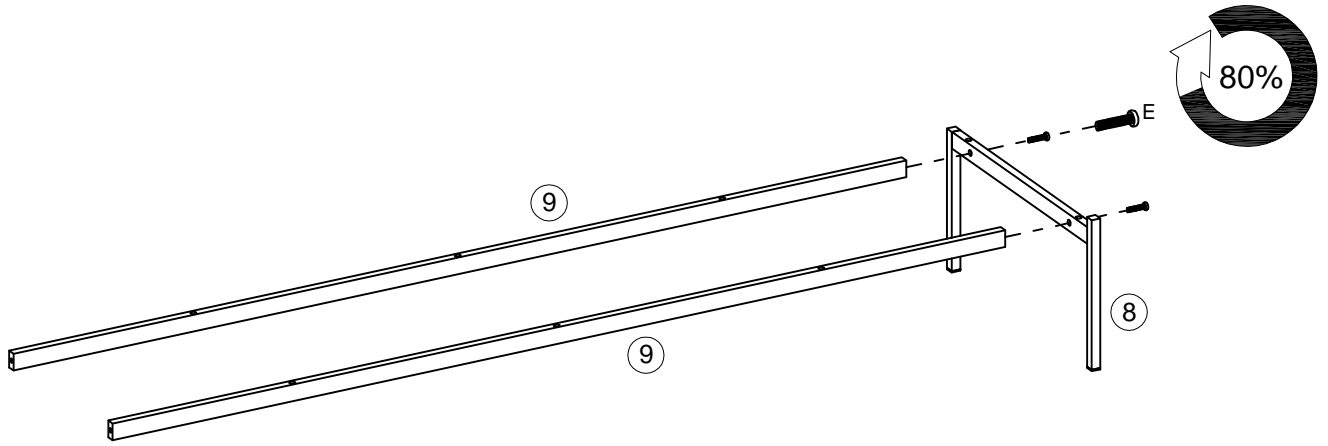


# 5


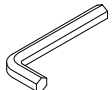


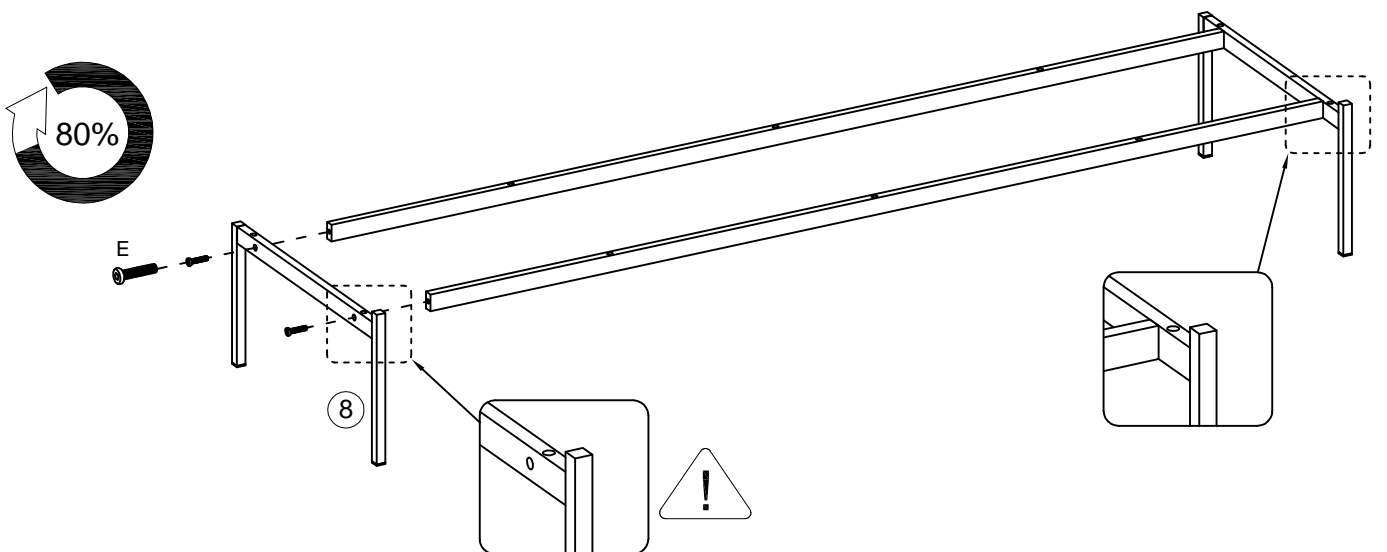
# 6

|   |   |
|---|---|
| E x 2   | J x 1   |
|  |  |
| M6x35mm   | 4mm   |

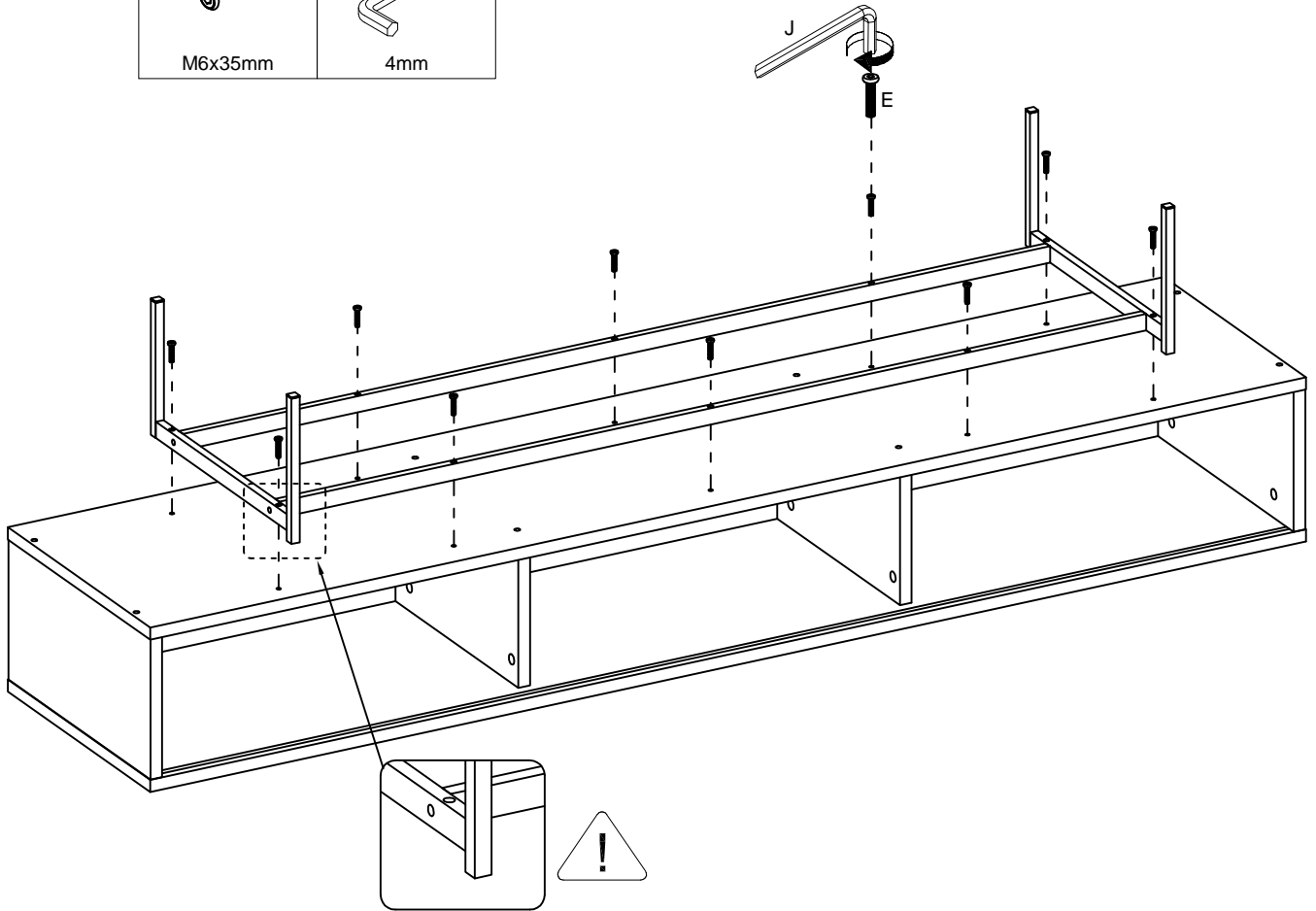
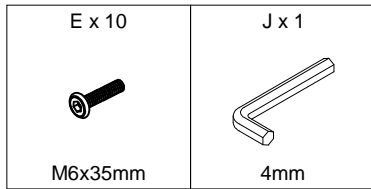


# 7

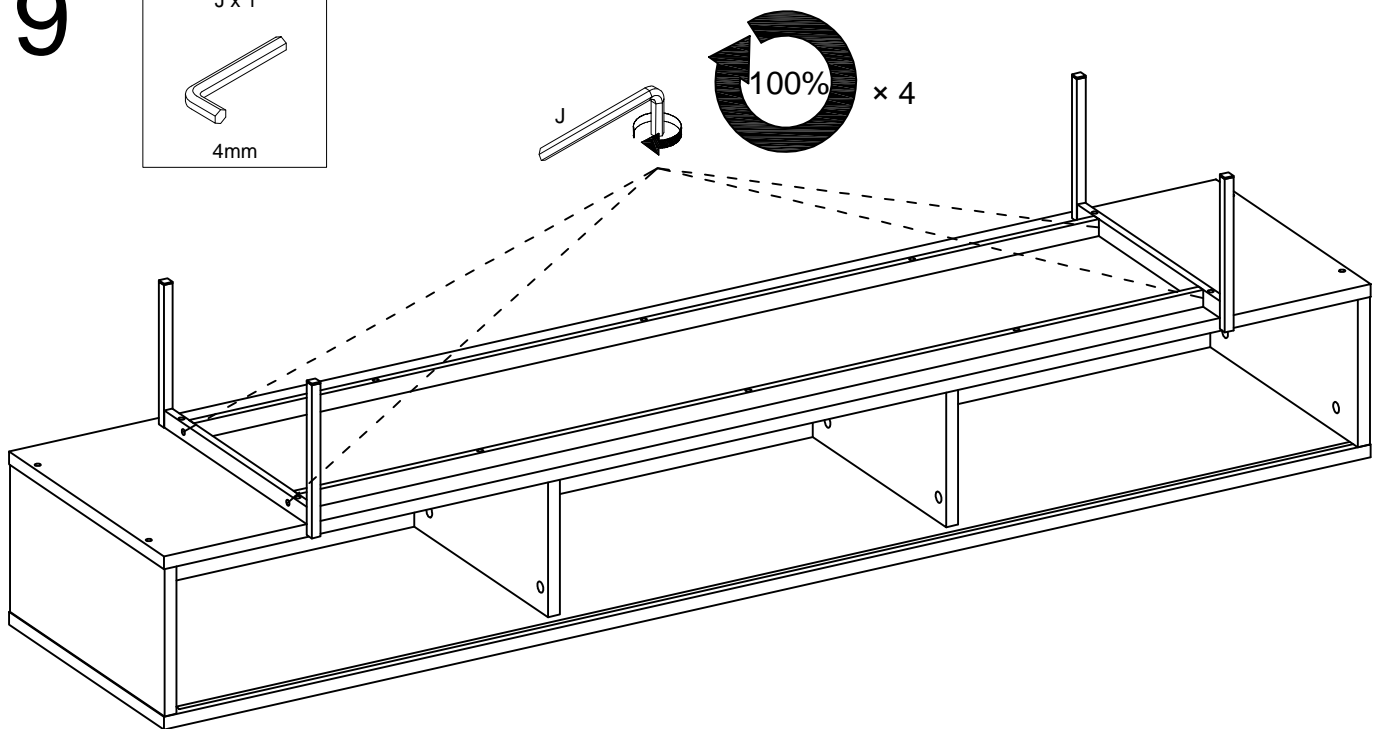
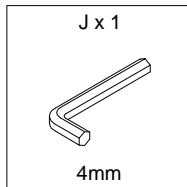
|   |   |
|---|---|
| E x 2   | J x 1   |
|  |  |
| M6x35mm   | 4mm   |



# 8





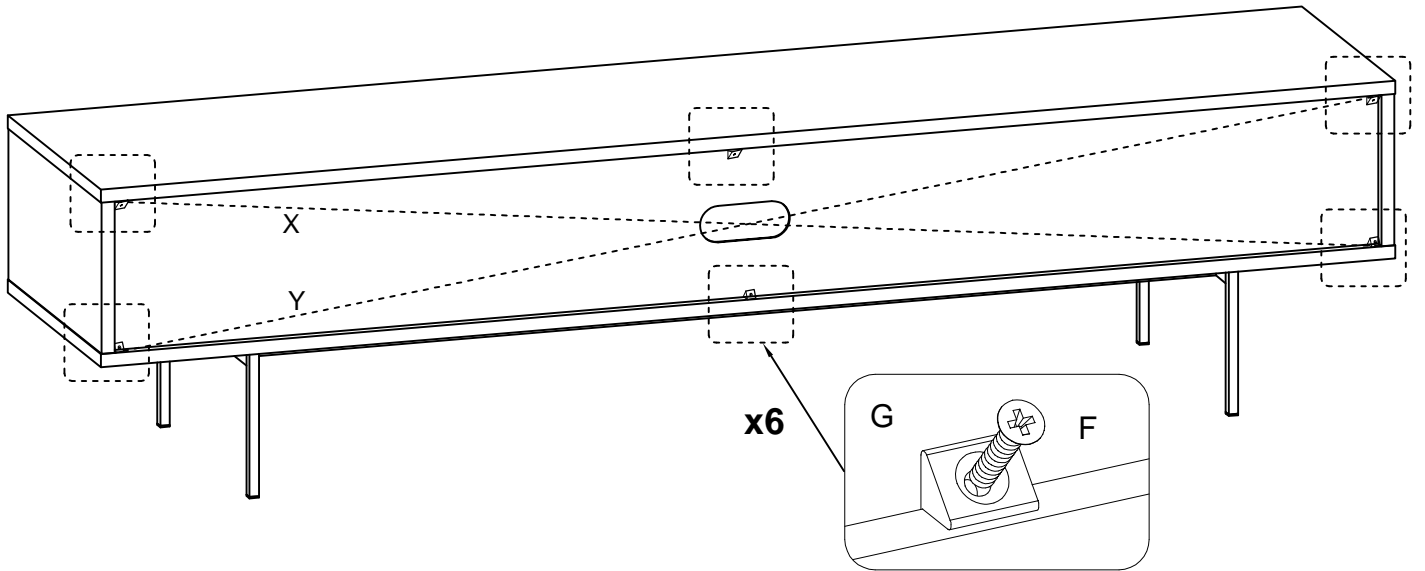
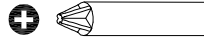
# 9



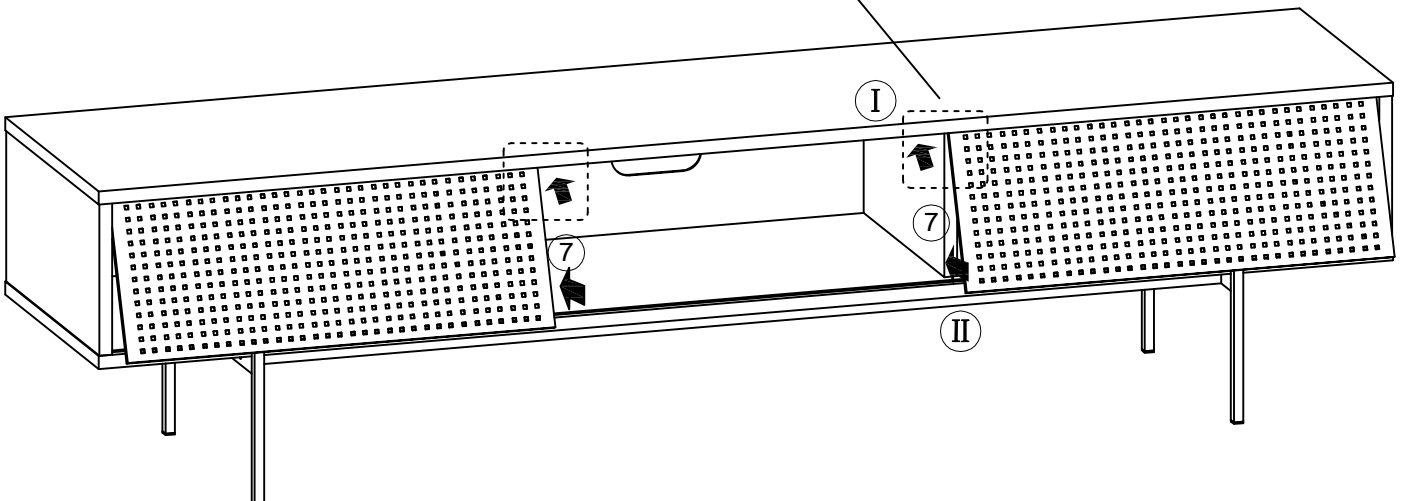
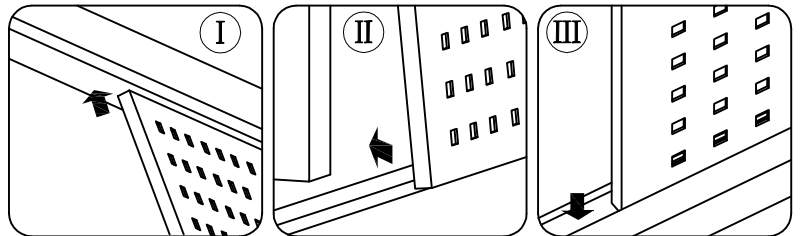


# 10

|   |  |
|---|--|
| F x 6<br><br>Ø3.5x16mm | G x 6<br><br>14x14x10mm |
|---|--|



# 11



12

