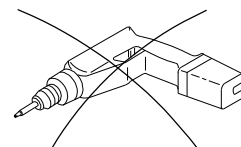
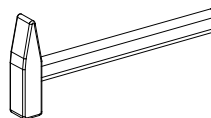
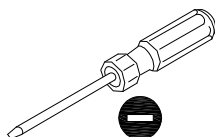
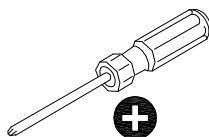
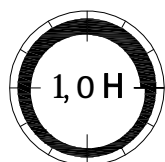
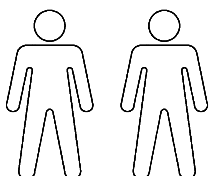
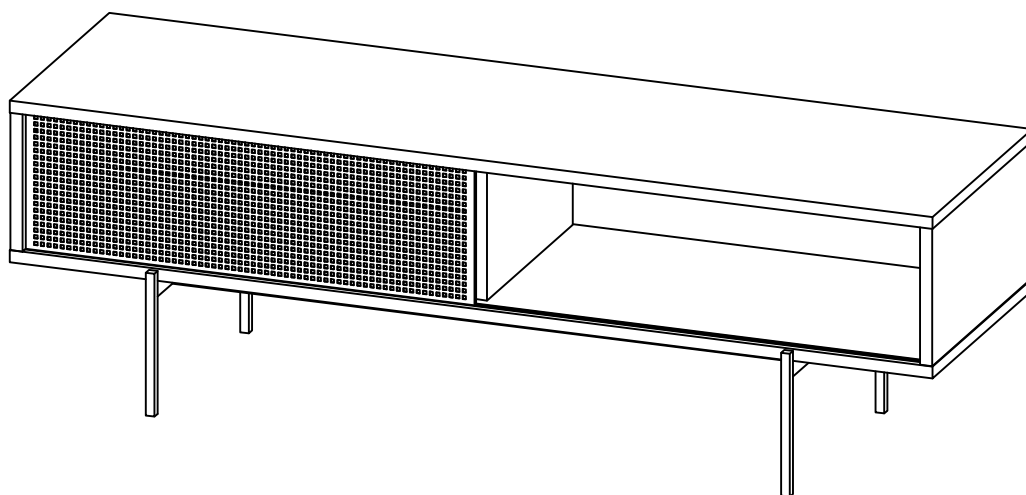
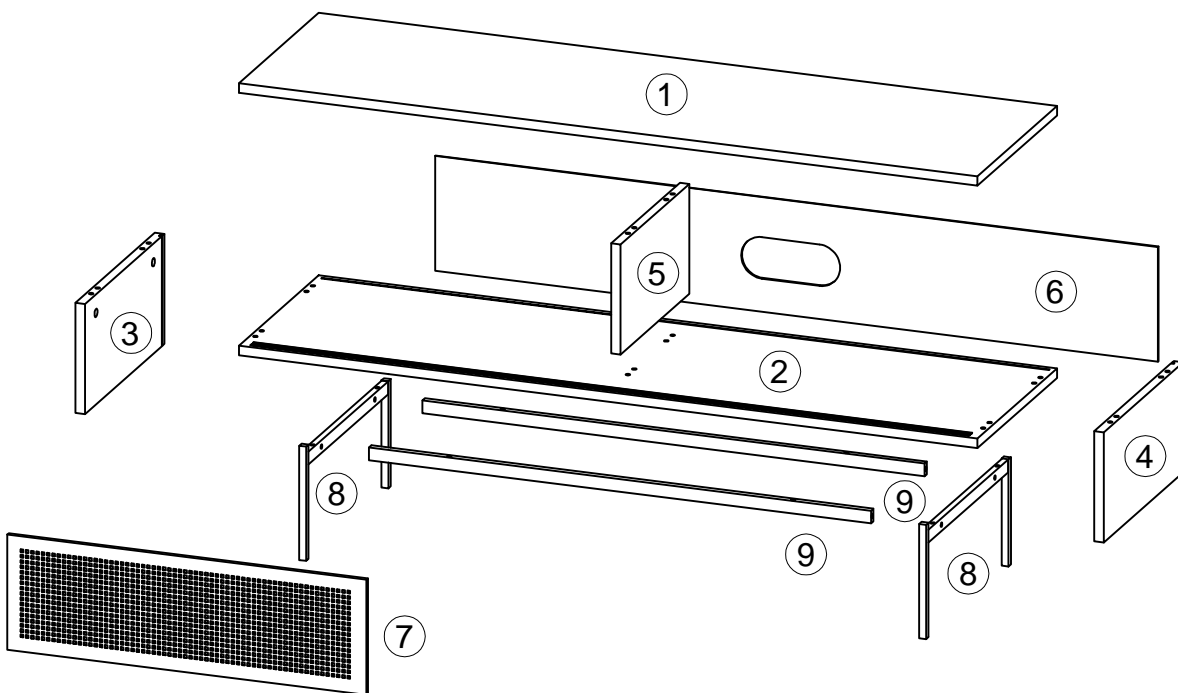


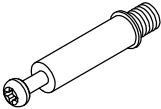

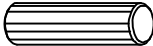
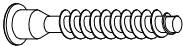
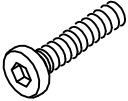
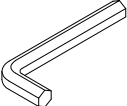


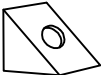
# Angus



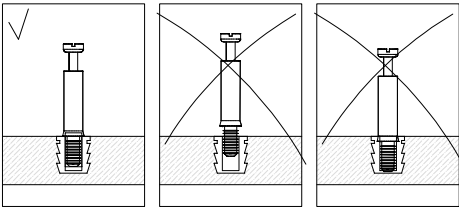
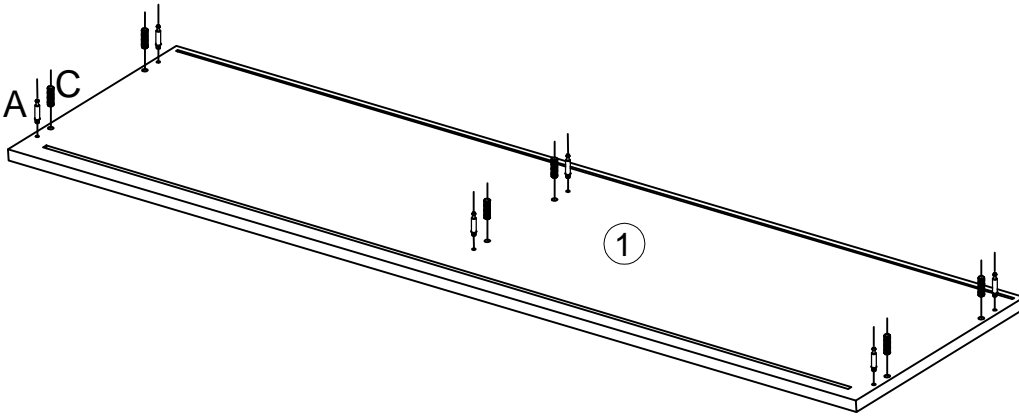
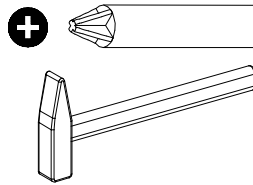
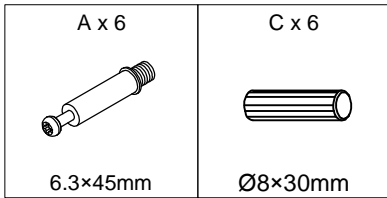
27/05/2021

|   |   |               |   |
|---|---|---------------|---|
|   |   |               | ✓ |
| ① | 1 | 1400x400x18   |   |
| ② | 1 | 1400x400x18   |   |
| ③ | 1 | 399x207x18    |   |
| ④ | 1 | 399x207x18    |   |
| ⑤ | 1 | 345x207x18    |   |
| ⑥ | 1 | 1371x216x2.75 |   |
| ⑦ | 1 | 692x220x6     |   |
| ⑧ | 2 | 395x215x13    |   |
| ⑨ | 2 | 950x24x12     |   |

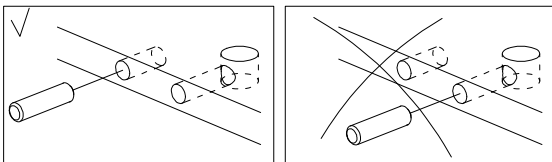
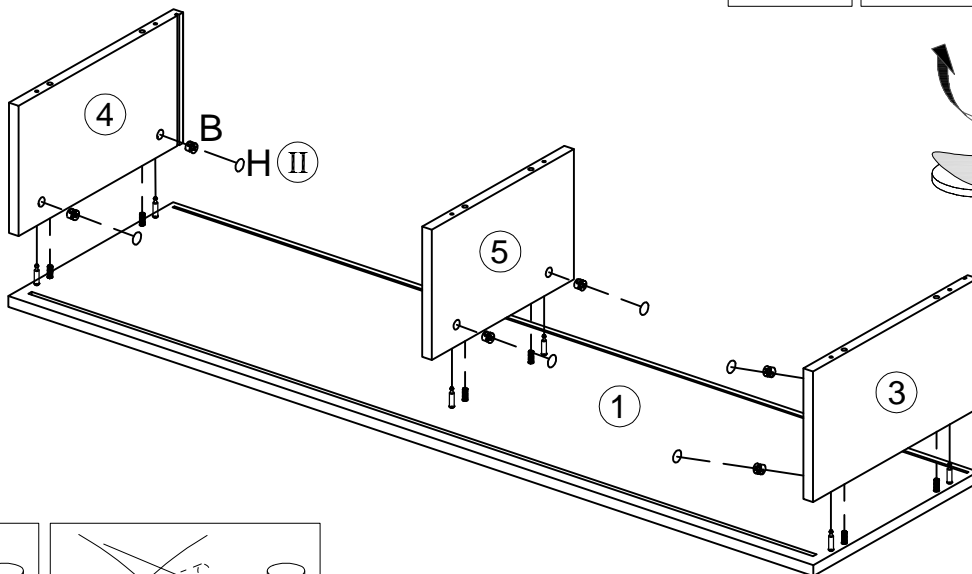
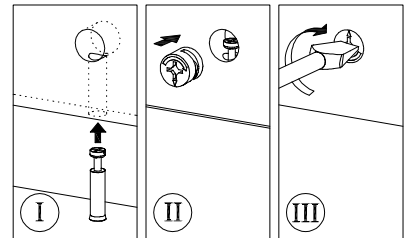
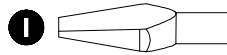
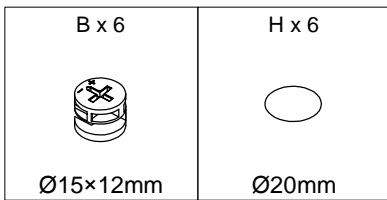


|  |  |   |  |
|--|--|---|--|
| <p>A x 6</p>  <p>6.3×45mm</p> | <p>B x 6</p>  <p>Ø15×12mm</p> | <p>C x 12</p>  <p>Ø8×30mm</p> | <p>D x 6</p>  <p>7×48mm</p> |
| <p>E x 12</p>  <p>M6×35mm</p> | <p>F x 1</p>  <p>4mm</p>      | <p>G x 6</p>  <p>3.5×16mm</p>  | <p>H x 6</p>  <p>Ø20mm</p>  |
| <p>J x 6</p>  <p>9×9×14mm</p> |  |   |  |

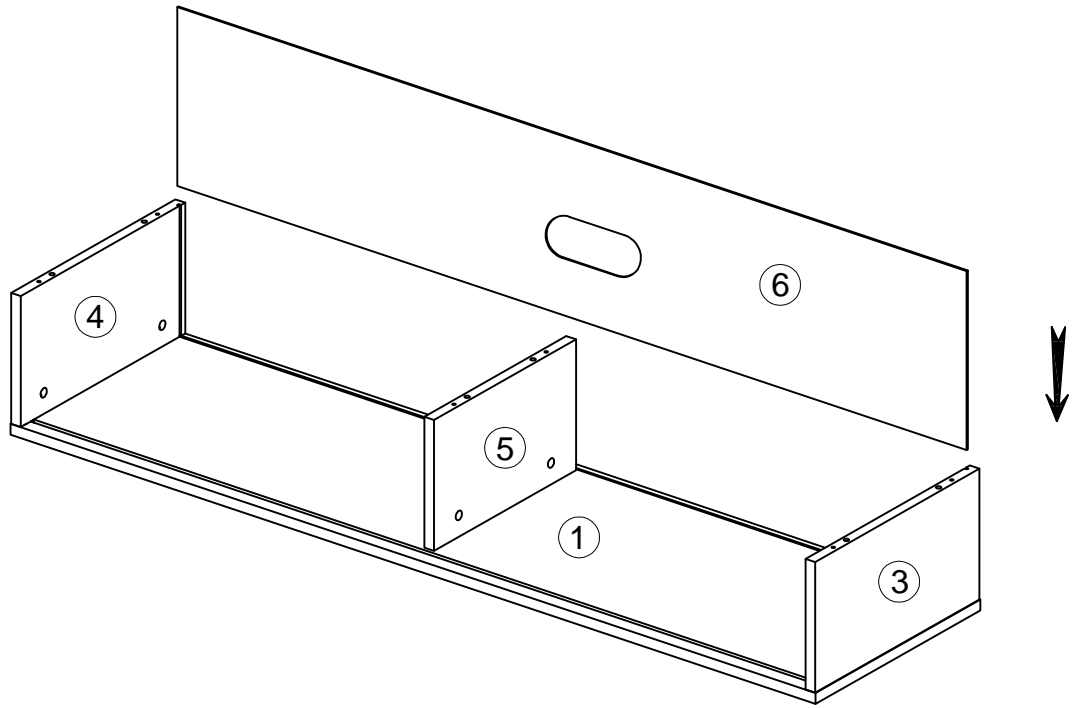
# 1



# 2

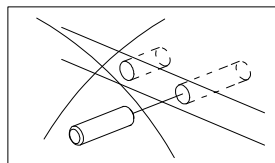
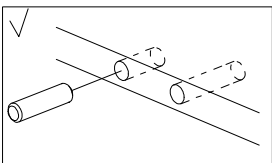
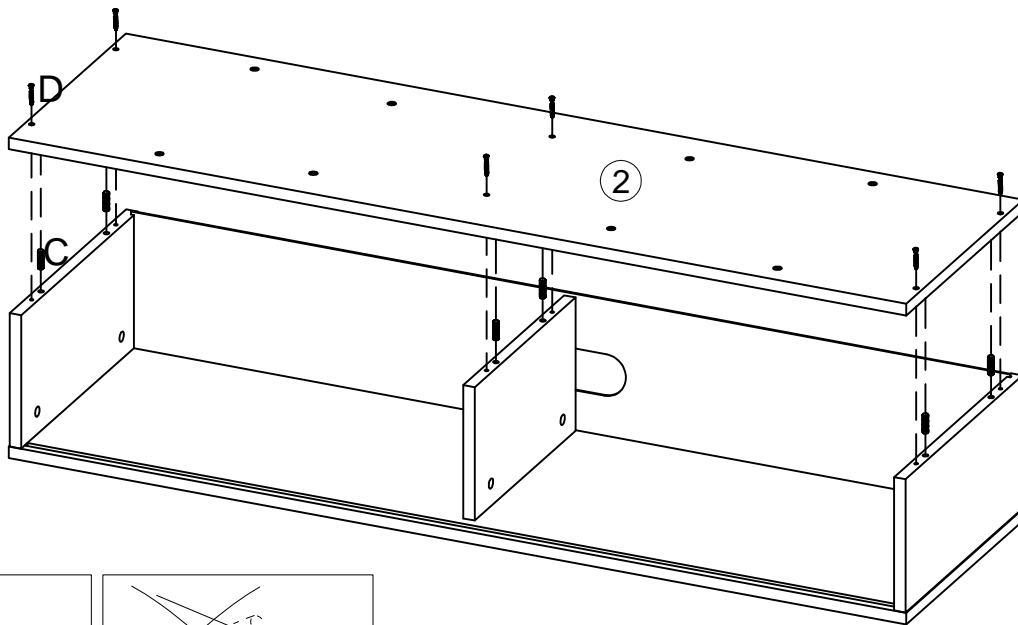
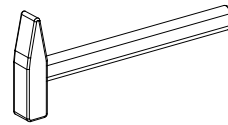


# 3

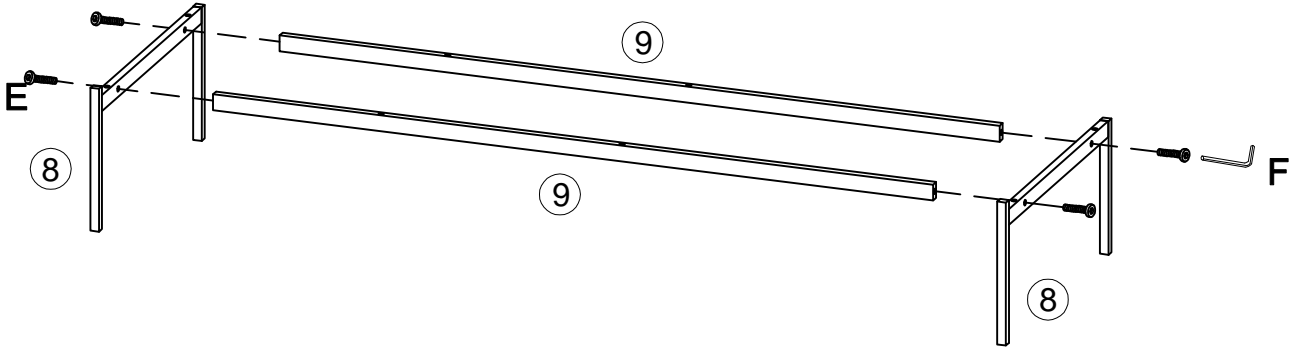
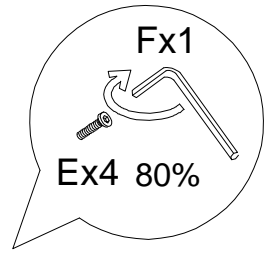
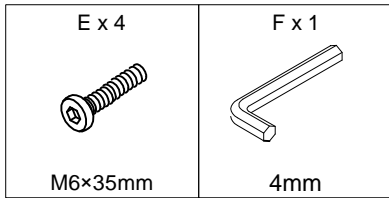


# 4

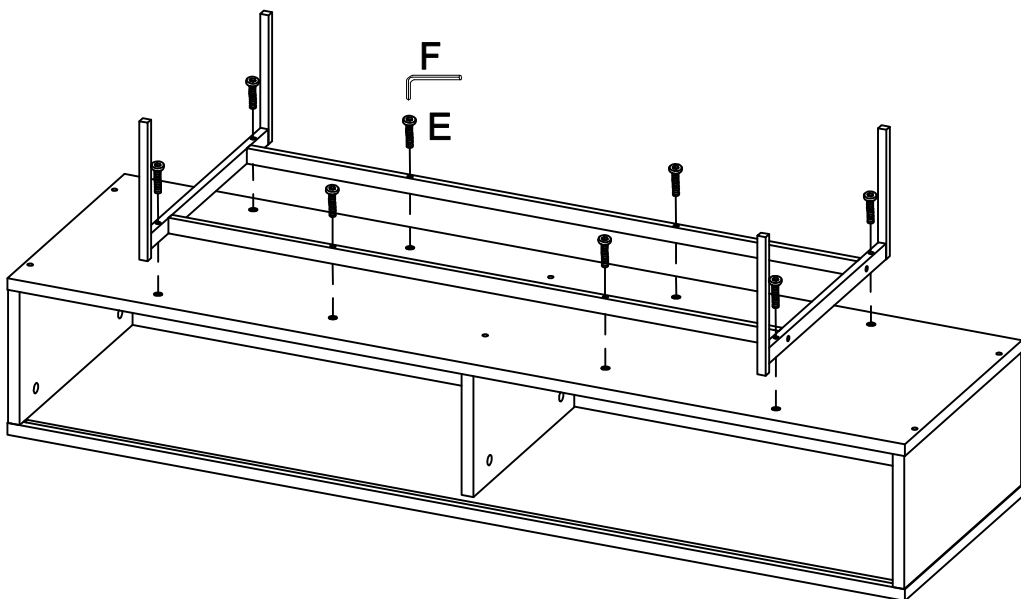
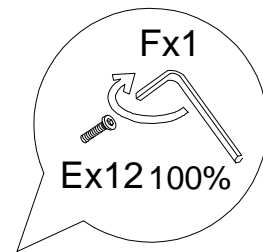
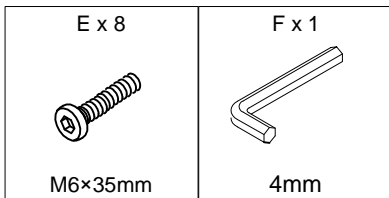
| C x 6   | D x 6  | F x 1 |
|---------|--------|-------|
|         |        |       |
| Ø8x30mm | 7x48mm | 4mm   |



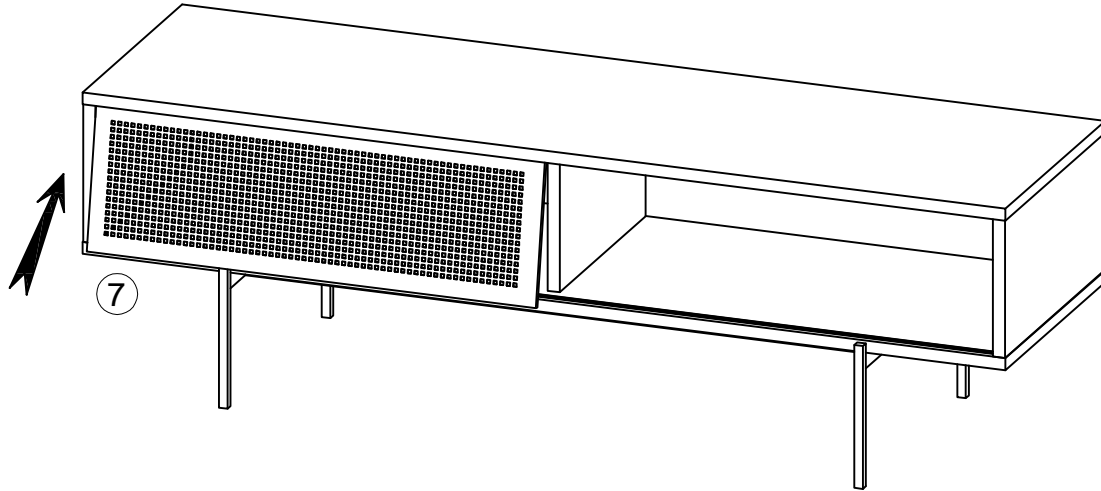
5





6

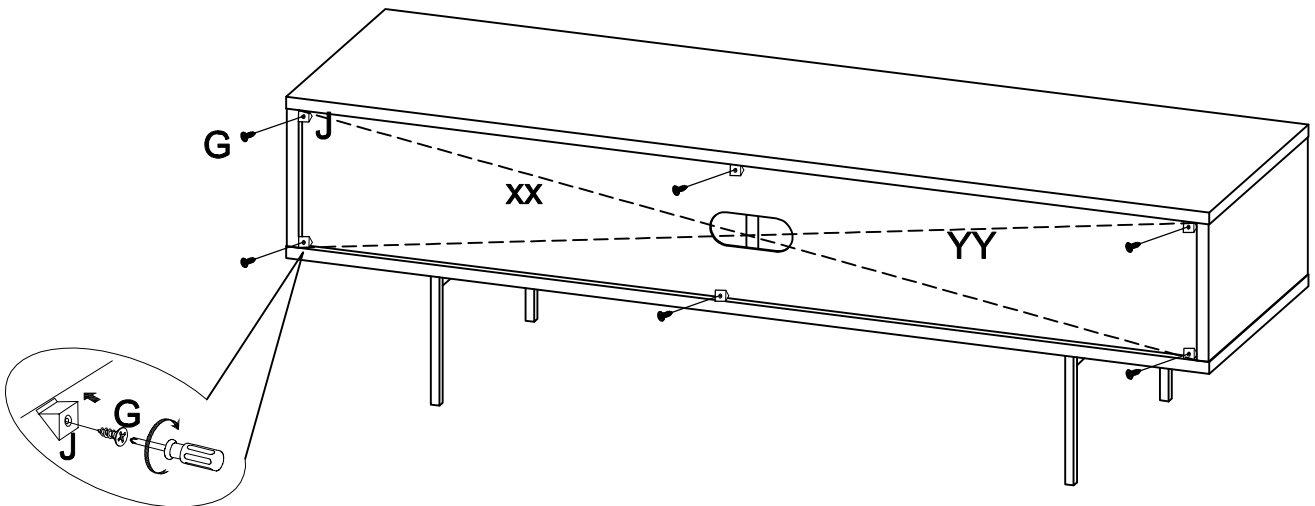


# 7



# 8

|  |  |
|--|--|
| J x 6<br><br>9x9x14mm | G x 6<br><br>3.5x16mm |
|--|--|



9

