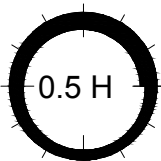
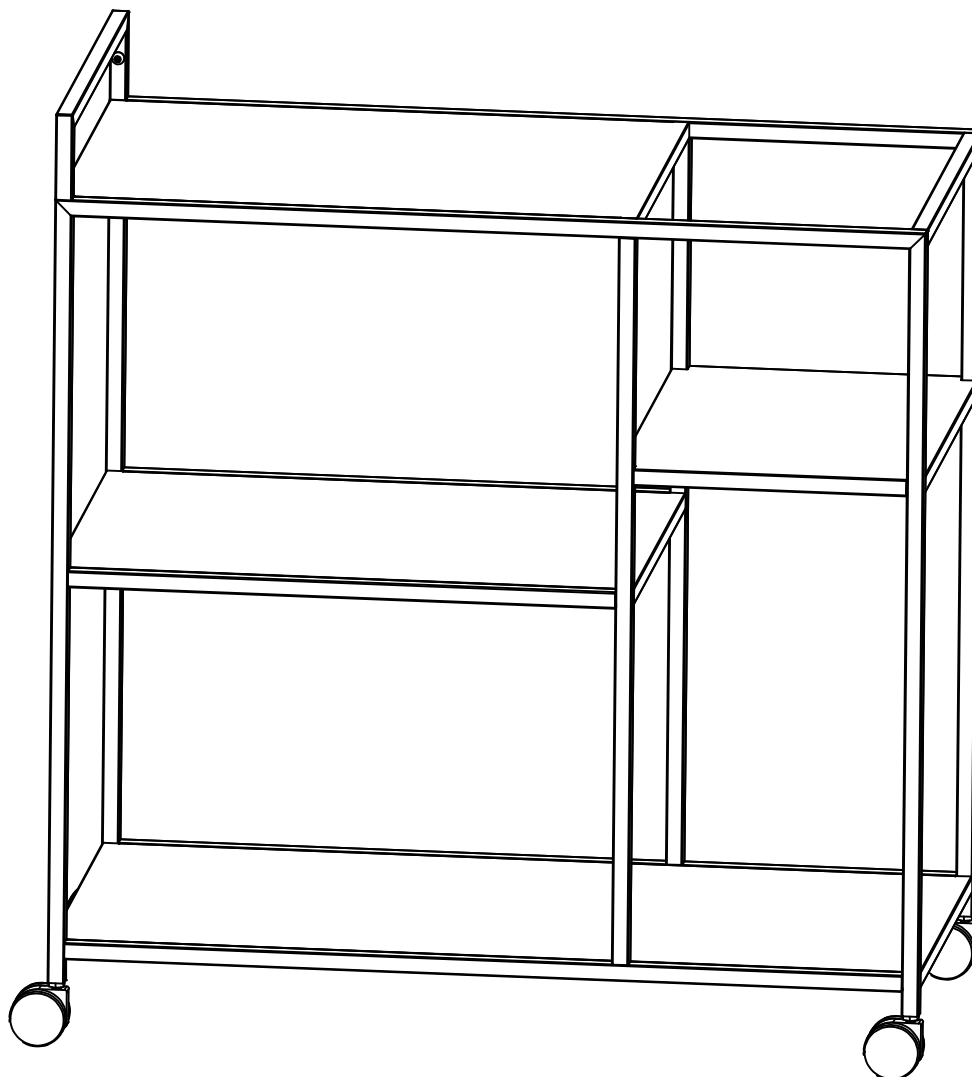
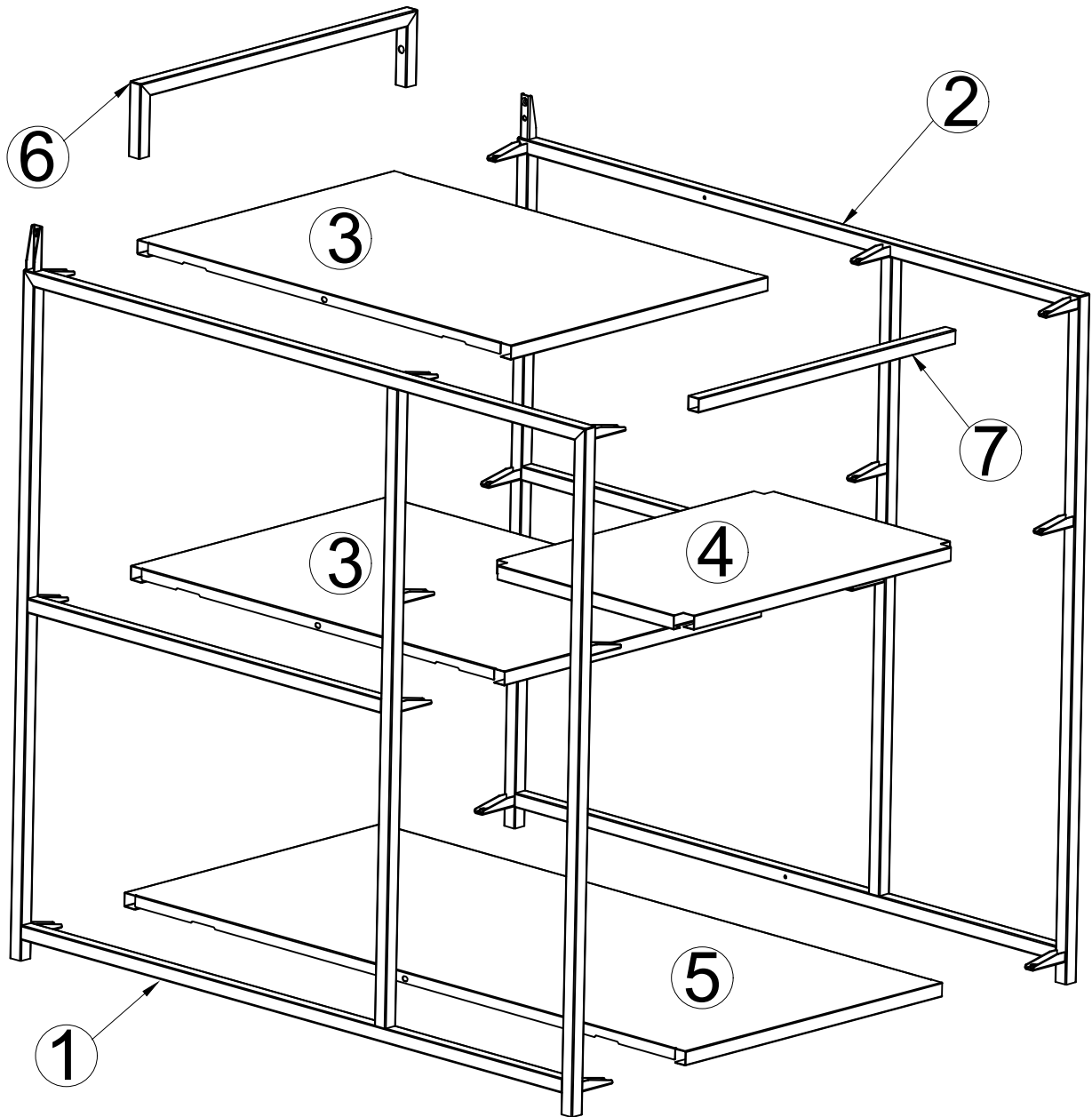
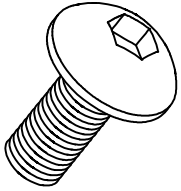
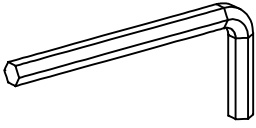
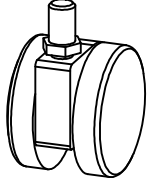
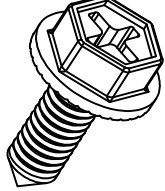
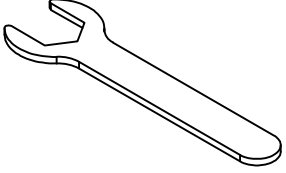
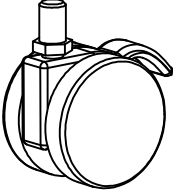


# Newcastle kitchen trolley

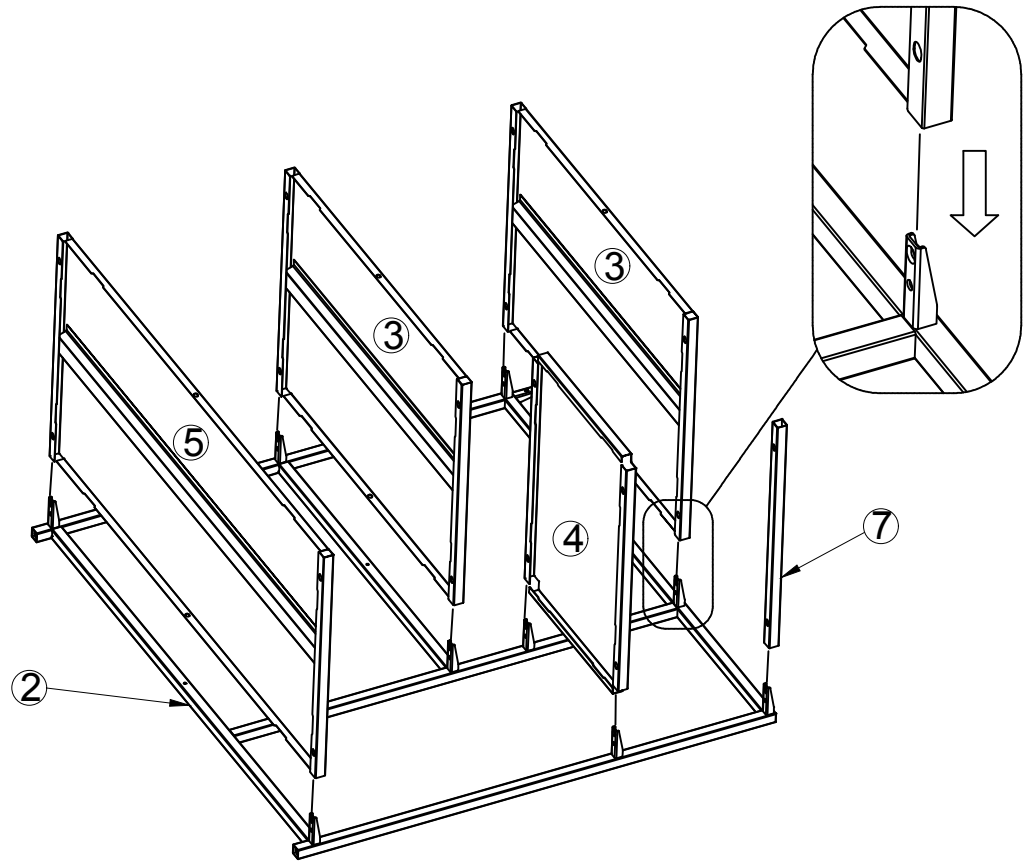


|   |   |            |   |
|---|---|------------|---|
|   |   |            | ✓ |
| ① | 1 | 761x780x60 |   |
| ② | 1 | 761x780x60 |   |
| ③ | 2 | 519x370x15 |   |
| ④ | 1 | 274x399x15 |   |
| ⑤ | 1 | 779x370x15 |   |
| ⑥ | 1 | 400x78x15  |   |
| ⑦ | 1 | 370x15x15  |   |






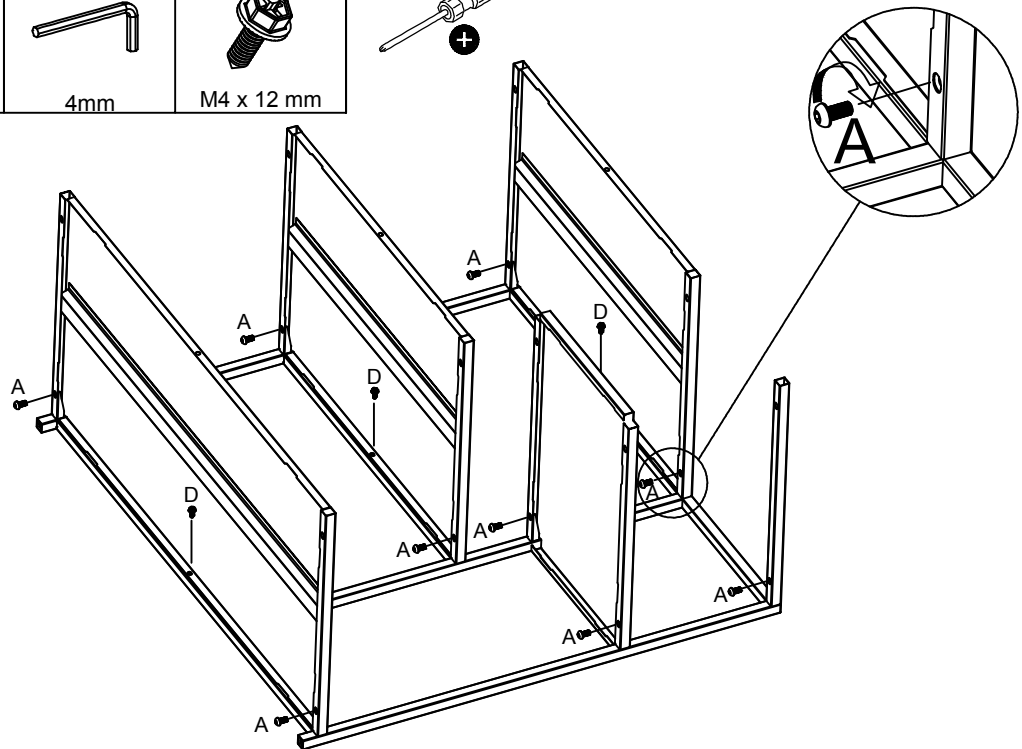
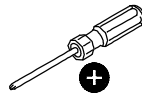
|   |   |  |  |   |
|---|---|--|--|---|
| <p>A X 20</p>  <p>M6 X 12 mm</p> | <p>B X 1</p>  <p>4mm</p> | <p>C X 2</p>  <p>M8 / Ø50 mm</p> | <p>D X 6</p>  <p>M4 x 12 mm</p> | <p>E X 1</p>  <p>14 mm</p> |
| <p>F X 2</p>  <p>M8 / Ø50 mm</p> |   |  |  |   |

# 1

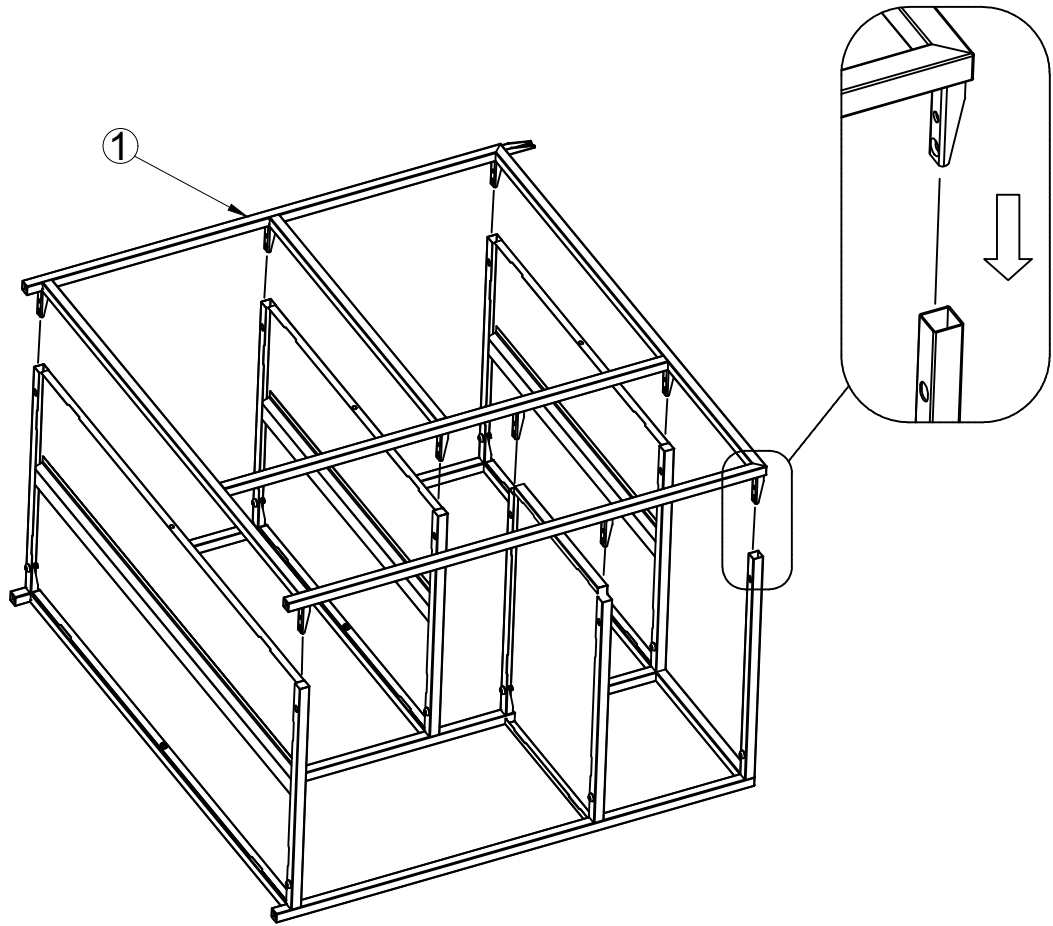


# 2

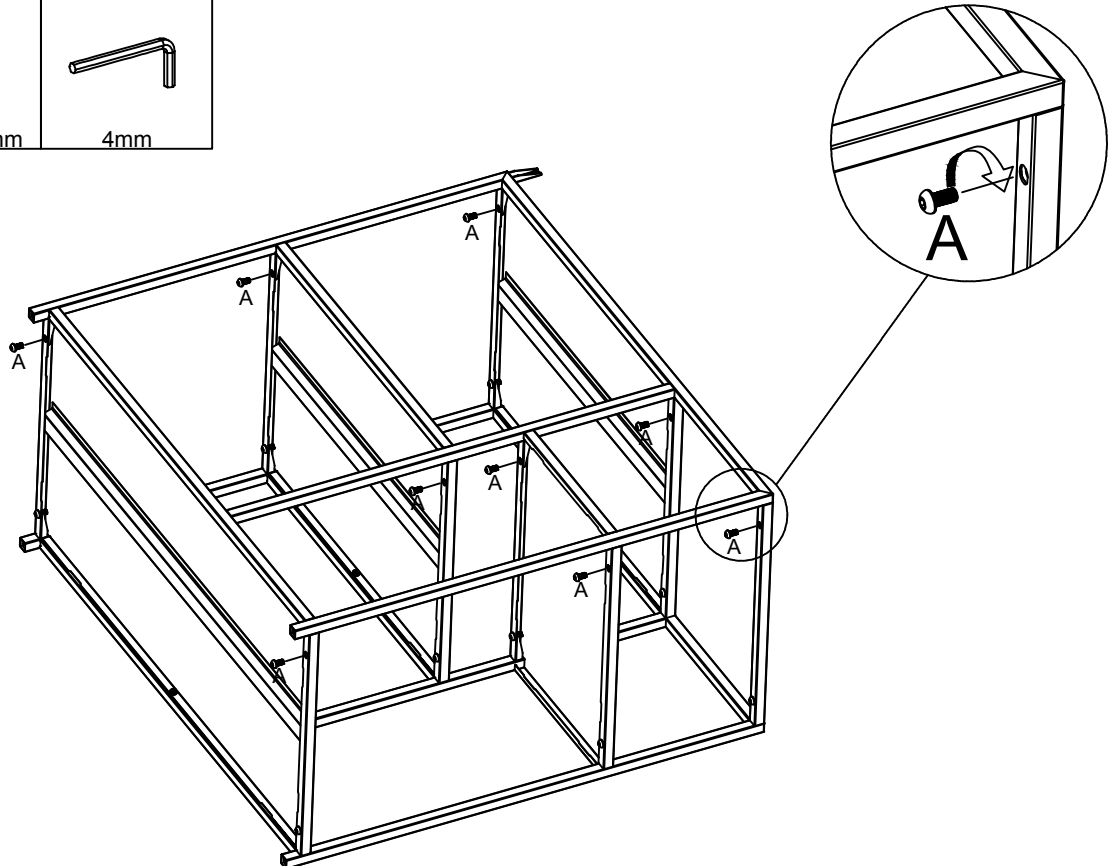
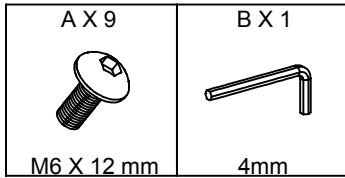
| AX 9  | B X 1   | D X 3   |
|---|---|---|
|  |  |  |
| M6 X 12 mm  | 4mm   | M4 x 12 mm  |



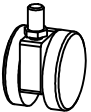

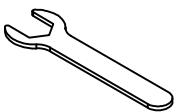

# 3

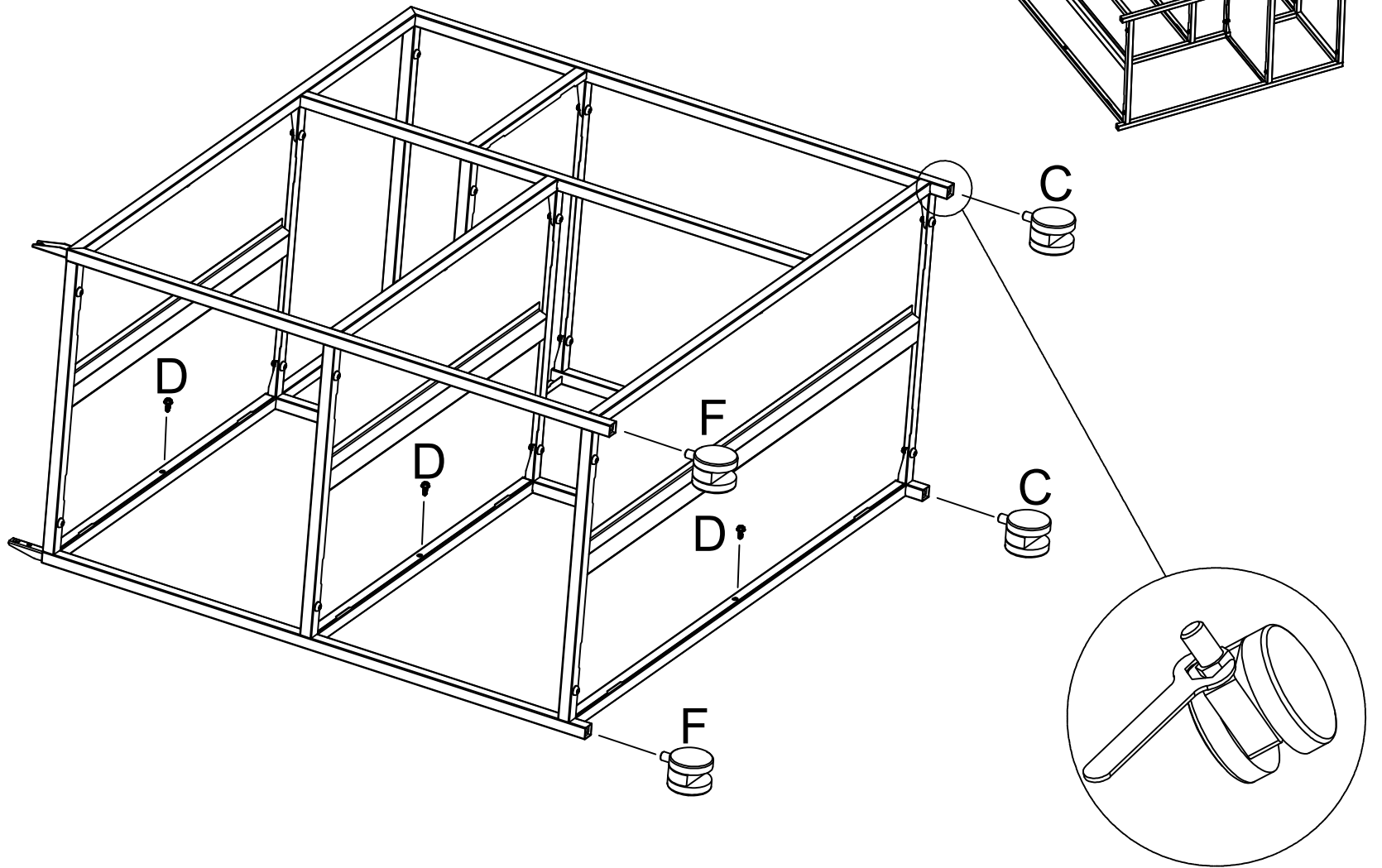
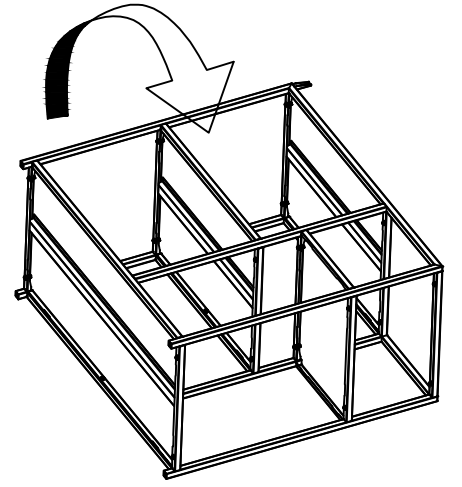
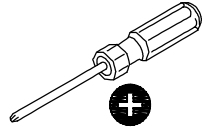


# 4

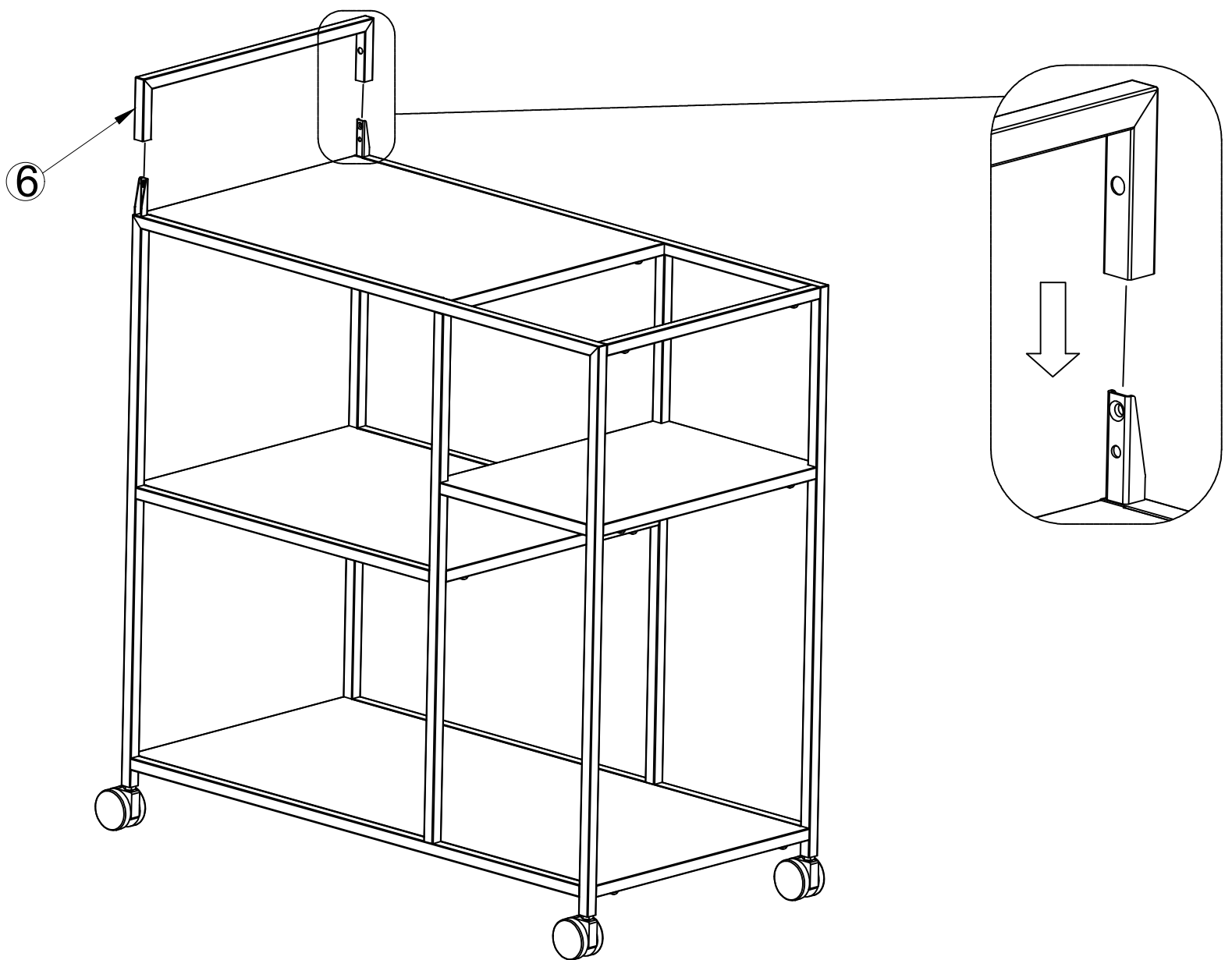


# 5

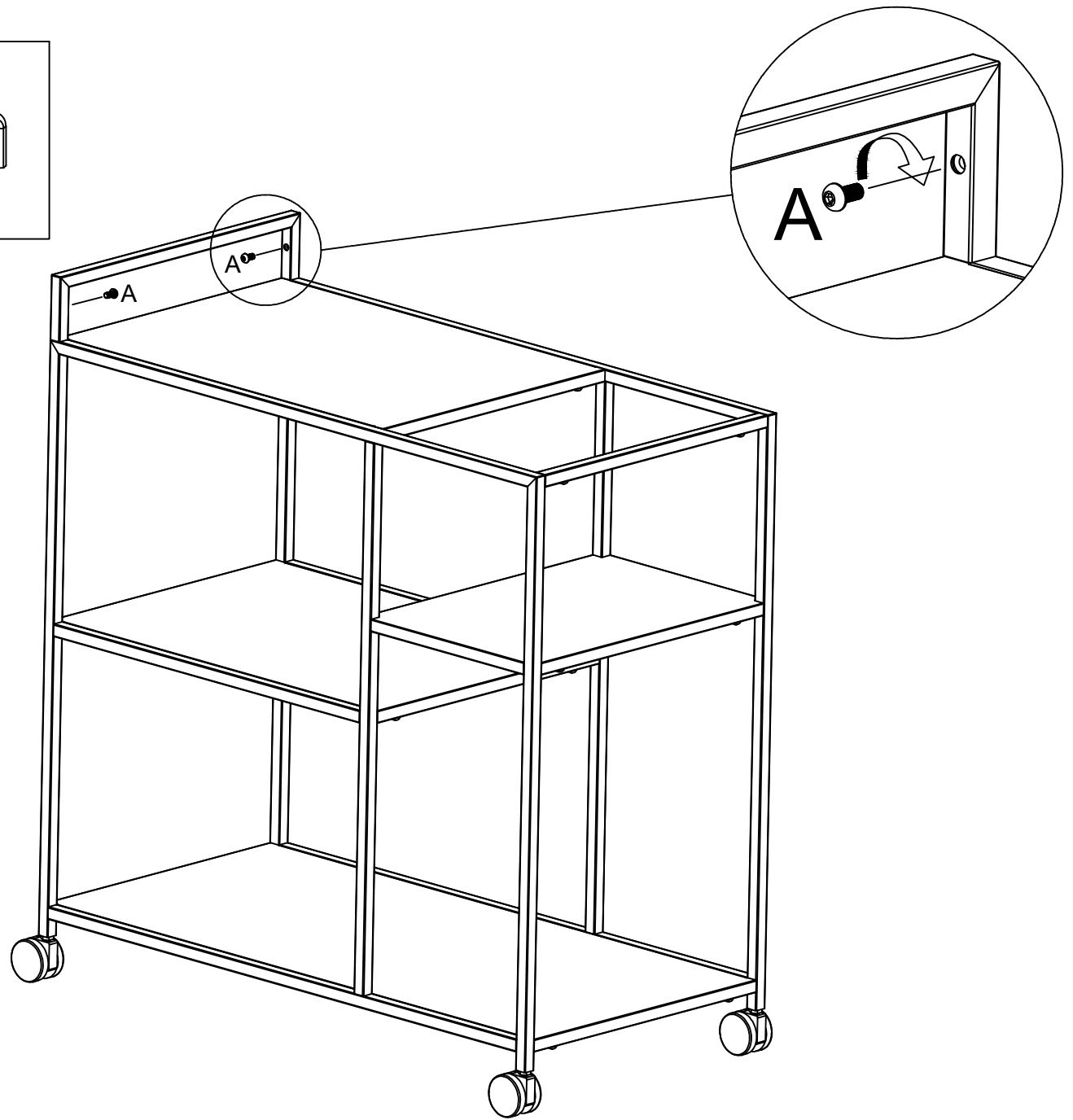
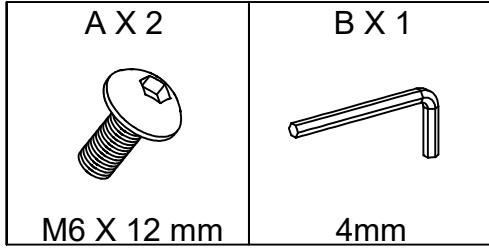
|   |  |   |   |
|---|--|---|---|
| CX2<br><br>M8 / Ø50 mm | DX3<br><br>M4 x 12 mm | EX1<br><br>14 mm | FX2<br><br>M8 / Ø50 mm |
|---|--|---|---|



# 6



# 7



# 8

